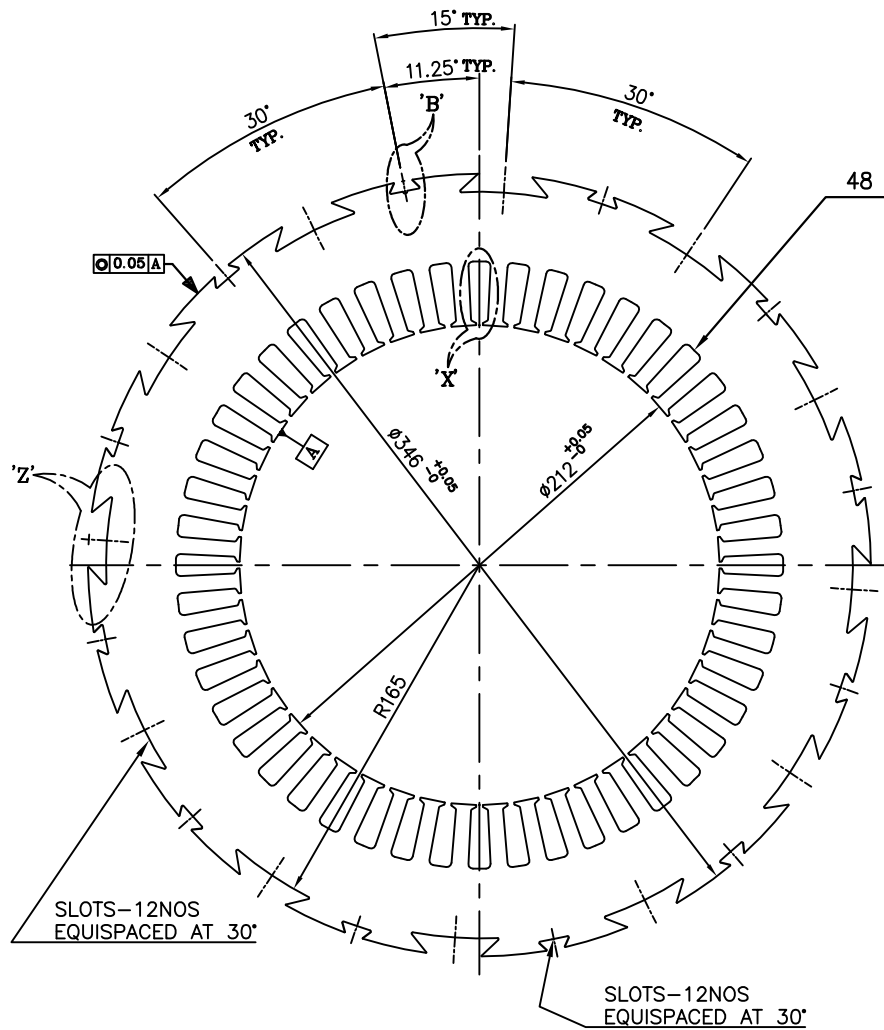


DRG. NO. 1DC168140051

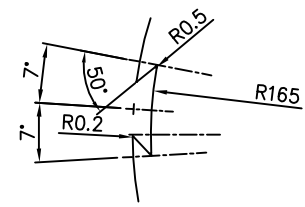
INVENTORY NO. _____
 REF. DRG. NO. _____
 COMP. FILE NAME _____
 THE INFORMATION ON THIS DOCUMENT IS THE PROPERTY OF BHARAT HEAVY ELECTRICALS LIMITED.
 IT MUST NOT BE USED DIRECTLY OR INDIRECTLY IN ANY WAY DETRIMENTAL TO THE INTEREST OF THE COMPANY.



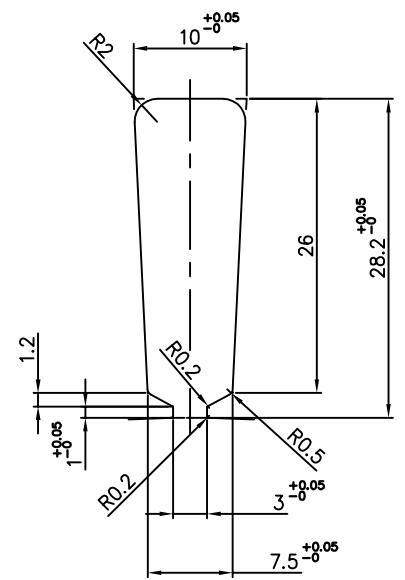
48 slots equispaced

SLOTS-12NOS
EQUISPACED AT 30°

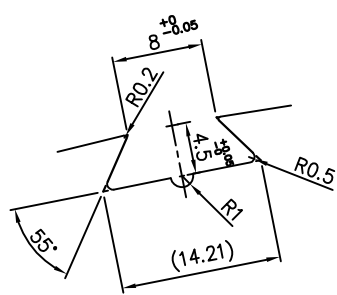
SLOTS-12NOS
EQUISPACED AT 30°



DETAIL- 'Z'



DETAIL- 'X'



DETAIL- 'B'

R1 NOTCH IS IN ONLY ONE DOVETAIL SLOT

Technical Requirements:

1. CRNGO silicon steel material of 0.35mm thick has to be collected from BHEL.
2. General tolerance: +/-0.1mm
3. All sharp corners are to be rounded of with radius 0.1mm

REV.	DATE	ALTERED	APPD.	REV.	DATE	ALTERED	APPD.	REV.	DATE	ALTERED	APPD.	REV.	DATE	ALTERED	APPD.

TYPE OF PRODUCT OR NAME OF CUSTOMER/PROJECT		130kW AC MOTOR			
BHARAT HEAVY ELECTRICALS LIMITED Corp. R&D Division, Vikasnagar HYDERABAD - 500 093	DRN.	T.Ramesh	DATE	04.07.18	NO.OF VAR.
	CHD.	A.Venkanna	DATE	06.07.18	
	APPD.	S.Karunakar			
DEPT.	EMC	SCALE	NTS	WEIGHT(Kg)	
CODE	29	REF. TO ASSY DRG.		ITEM NO.	
TITLE			DRAWING NO.		REV.
STATOR STAMPING			1DC168140051		00
SHEET NO.			NO OF SHEETS		
			8		