

**TENDER NO: PSER:SCT:KLN-C1954:19**

**VOLUME -ID**

**SPECIAL CONDITIONS OF CONTRACT**

**FOR**

**PACKAGE 14A: CIVIL & ARCHITECTURAL WORKS FOR CHP,AHP &  
MISC.WORK FOR 2X660 MW MAITREE RAMPAL PROJECT, BANGLADESH**

**BHARAT HEAVY ELECTRICALS LIMITED**

**( A GOVT. OF INDIA UNDERTAKING )**

**POWER SECTOR – EASTERN REGION**

**PLOT NO. – 9 / 1, DJ – BLOCK,**

**SECTOR – II, KARUNAMOYEE,**

**SALT LAKE CITY,**

**KOLKATA – 700091.**

<b>Bharat Heavy Electricals Limited</b>		
Power Sector – Eastern Region, Kolkata		
<b>TENDER NO. PSER:SCT:KLN-C1954:19</b>		
VOLUME-ID	SPECIAL CONDITIONS OF CONTRACT (SERVICE)	PAGE1OF47

## CONTENTS

SN	DESCRIPTION	Chapter	No. OF PAGES
1	General Intent of the Specifications	Chapter-I	
2	General Services to be rendered by the Bidder	Chapter-II	
3	General Technical Requirements (Codes and Standards)	Chapter-III	
4	Obligations of Contractor (In respect of Tools, Tackles, Consumables, etc employment of supervisory staff and workmen)	Chapter-IV	
5	Responsibilities of Contractor (In respect of employment of Labour, Supervisory staff, etc)	Chapter-V	
6	Material Handling, Storage, Preservation, etc	Chapter-VI	
7	Drawings and Documents	Chapter-VII	
8	Inspection and Quality	Chapter-VIII	
9	HSE & OHSAS Obligations	Chapter-IX	
10	RA Bill Payment	Chapter-X	
11	Performance Monitoring	Chapter-XI	
12	Suspension of Business Dealings	Chapter-XII	

# SPECIAL CONDITIONS OF CONTRACT (SCC)

## Chapter - I : General Intent of Specifications

<b>1.0</b>	<b>INTENT OF THE SPECIFICATION</b>
1.1	The intent of this erection specification is to provide services for execution of the project according to most modern and proven techniques and codes. The omission of specific reference to any method, equipment or material necessary for the proper and efficient services towards installation of the plant shall not relieve the contractor of the responsibility of providing such services / facilities to complete the work or portion of work awarded to him. The quoted / accepted rates / price shall deem to be inclusive of all such contingencies.
1.2	The work shall conform to dimensions and tolerances given in various drawings and documents that will be provided during erection. If any portion of works is found to be defective in workmanship and not conforming to drawings / documents or other stipulations, the contractor shall dismantle and re-do the work duly replacing the defective materials at their own cost, failing which recoveries, as determined by BHEL, shall be effected from contractor's bills.
1.3	It is not the intent of this specification to specify herein all the details of erection and commissioning. However, the system shall conform in all respects to high standards of quality and workmanship for performing the required duties in a manner acceptable to purchaser who will interpret the meaning of drawings and specifications and shall be entitled to reject any work or material, which in his judgments is not in full accordance herewith.
1.4	The omission of specific reference to any fabrication / erection or other method, equipment or material necessary for proper and efficient working of the plant shall not relieve the tenderer of the responsibility of providing such facilities to complete the work at quoted rates. Any mismatch/ defect found due to mistake in fabrication / erection shall have to be rectified by the vendor free of cost. Inspection by BHEL/Customer does not relieve vendor of his responsibility of executing quality erection.
1.5	The work covered under this specification is of highly sophisticated nature, requiring the best quality workmanship, supervision, engineering and construction management. The contractor should ensure proper planning and successful and timely completion of the work to meet the overall project schedule. The contractor must deploy adequate quantity of tools & plants, modern / latest construction aids etc. He must also deploy adequate trained, qualified and experienced supervisory staff and skilled personnel.

# SPECIAL CONDITIONS OF CONTRACT (SCC)

## Chapter - I : General Intent of Specifications

1.6	Contractor shall erect and commission all the equipments and auxiliaries as per the sequence & methodology prescribed by BHEL depending upon the technical requirements. Availability of materials and fronts will decide this. BHEL Engineer's decision regarding correctness of the work and method of working shall be final and binding on the contractor. No claims for extra payment from the contractor will be entertained on the ground of deviation from the methods / sequence adopted in erection of similar sets elsewhere.
1.7	Following shall be the minimum responsibility of contractor and have to be provided within finally accepted rates / prices:
1.7.1	Provision as required of all types of labour, supervisors, engineers, watch and ward, tools & tackles, calibrated MMEs (Monitoring and Measuring Equipment) as specified and otherwise required for the work, consumables for erection, testing and commissioning including material handling
1.7.2	Achieving Proper out-turn / Turn-over as per BHEL plan and commitment.
1.7.3	Completion of work as per BHEL Schedule
1.7.4	Good quality and accurate workmanship for proper performance of the equipment
1.7.5	Repair and rectification
1.7.6	Preservation / Re-conservation of all components during storage / erection / commissioning till handing over.

**SPECIAL CONDITIONS OF CONTRACT (SCC)**  
**Chapter - II : General Services to be rendered by the Bidder**

---

2.0	<b>GENERAL SERVICES TO BE RENDERED BY THE BIDDER</b>
2.1	Services for construction, fabrication, equipment erection testing as well as trial run & commissioning of various equipment and accessories under the contract shall include but not be limited to the following:
2.2	Issuing materials from store/open yard from time to time for erection as per the construction programme. The Contractor shall be the custodian of all the materials issued till the plant/equipment is officially taken over by the owner / BHEL after complete erection any successful trial run & commissioning.
2.3	Transport of material to their respective places of erection and erection of the complete plant & equipment as supplied under this specification.
2.4	Trial run and commissioning of individual equipment / sub-systems to the satisfaction of Owner/BHEL.
2.5	Deployment of all skilled and unskilled manpower required for erection, supervision of erection, watch & ward, commissioning and other services to be rendered under this specification.
2.6	Deployment of all erection tools & tackle, construction machinery, transportation vehicles and all other implements in adequate number and size, appropriate for the erection work to be handled under scope of this specification except otherwise specified.
2.7	Supply of all consumables, eg welding electrodes, cleaning agents, diesel oil, lubricant etc as well as materials required for temporary supports, scaffolding etc as necessary for such erection work, unless specified other wise.
2.8	Providing support services for the contractor's erection staff eg construction of site offices, temporary stores, residential accommodation and transport to work site for erection personnel, watch and ward for security and safety of the materials under the Contractor's custody etc. as required.
2.9	Maintaining proper documentation of all the site activities undertaken by the Contractor as per the proforma mutually agreed with BHEL, Submission of monthly progress reports and any such document as and when desired by BHEL/owner, taking approval of all statutory authorities i.e Boiler Inspector, Factory Inspector, Inspector of Explosives etc , as applicable for respective portions of work fall under the jurisdiction of such statutes of laws.
2.10	Any other service, although not specifically called for but required for a contract of the size and nature indicated in the specification.

**SPECIAL CONDITIONS OF CONTRACT (SCC)**  
**Chapter - III : General Technical Requirements (Codes and Standards)**

---

---

<b>3.0</b>	<b>GENERAL TECHNICAL REQUIREMENTS (CODES AND STANDARDS)</b>
3.1	Except where otherwise specified, the plant/equipment shall comply with the appropriate Indian Standard or an agreed internationally accepted Standard Specification as mentioned elsewhere in contract specifications, each incorporating the latest revisions at the time of tendering. Where no internationally accepted standard is applicable, the Bidder shall give all particulars and details as necessary, to enable BHEL to identify all of the plant/equipment in the same detail as would be possible had there been a Standard Specification.
3.2	Where the Bidder proposes alternative codes or standards he shall include in his tender one copy (in English) of each Standard Specification to which materials offered shall comply. In such case, the adopted alternative standard shall be equivalent or superior to the standards mentioned in the specification.
3.3	In the event of any conflict between the codes and standards referred above, and the requirements of this specification, the requirements which are more stringent shall govern.
3.4	Tools used during erection and commissioning shall not be accepted except with the specific approval of the Engineer.

# SPECIAL CONDITIONS OF CONTRACT (SCC)

## Chapter - IV : Obligations of Contractor

4.0	<b>OBLIGATIONS OF CONTRACTOR</b>
4.1	<b>CONSUMABLES &amp; OTHER ITEMS</b>
4.1.1	The contractor shall provide within finally accepted price / rates, all consumables (excepting those indicated in BHEL scope) like welding electrodes (including alloy steel and stainless steel), filler wires, TIG filler wires (over & above as supplied by the unit along with the plant materials, which will be given free of cost to bidder), gases (inert, welding, cutting), soldering material, dye penetrants, radiography films, etc. Other erection consumables such as tapes, jointing compound, grease, mobile oil, M-seal, Araldite, petrol, CTC / other cleaning agents, grinding and cutting wheels are to be provided by the contractor. Steel, packers, shims, wooden planks, scaffolding materials hardware items etc required for temporary works such as supports, scaffoldings are to be arranged by the contractor. Sealing compounds, gaskets, gland packing, wooden/concrete sleepers, for temporary work, required for completion of work except those which are specifically supplied by manufacturing unit are also to be arranged by the contractor.
4.1.2	All the shims, gaskets and packing, which go finally as part of plant equipment, shall be supplied by BHEL free of cost.
4.1.3	It shall be the responsibility of the contractor to plan the activities and store sufficient quantity of consumables. Non-availability of any consumable materials or equivalent suggested by BHEL cannot be considered as reason for not attaining the required progress or for additional claim.
4.1.4	<b><u>TIG Filler wire for Boiler and Filler wires for Electrodes for P91/T91 piping:</u></b> These shall be supplied by BHEL free of cost as supplied by BHEL Manufacturing Units as part of regular supply. Required quantity as arrived at by calculation / standards will only be supplied. It would be the contractors' responsibility to account for the consumption of these filler wires. Additional consumption beyond standard / calculated quantity will be at cost recovery basis only unless and otherwise accounted for. Surplus quantity of TIG filler wire, if any, shall be properly stored and returned to BHEL stores.
4.1.5	It shall be the responsibility of the contractor to obtain prior approval of BHEL, regarding suppliers, type of electrodes etc before procurement of welding electrodes. On receipt of electrodes at site these shall be subjected to inspection and approval by BHEL. The contractor shall inform BHEL details regarding type of electrodes, batch number, date of expiry etc and produce test certificate for each lot / batch with correlation of batch / lot number with respective test certificate. No

**Bharat Heavy Electricals Limited**

Power Sector – Eastern Region, Kolkata

**VOLUME-ID**

**TENDER NO. PSER:SCT:KLN-C1954:19**

**PAGE6OF47**

# SPECIAL CONDITIONS OF CONTRACT (SCC)

## Chapter - IV : Obligations of Contractor

	electrode without a valid test certificate will to be used.
4.1.6	BHEL reserves the right to reject the use of any consumable including electrodes, gases, lubricants / special consumables if it is not found to be of the required standard / make / purity or when shelf life has expired. Contractor shall ensure display of shelf life on consumable wherever required and records maintained.
4.1.7	Storage of all consumables including welding electrodes shall be done as per requirement / instruction of the Engineer by the contractor at his cost.
4.1.8	In case of improper arrangement for procurement of any consumable, BHEL reserves the right to procure the same from any source and recover the cost from the Contractor's first subsequent bill at market value plus the departmental charges of BHEL from time to time. Postponement of such recovery is normally not permitted. The decision of Engineer in this regard shall be final and binding on the Contractor.
4.1.9	All lubricants and chemicals required for pre-commissioning, commissioning, testing, preservation and lubricants for trial runs of the equipment shall be supplied by BHEL / BHEL's client. All services including labour and T&P will be provided by the contractor for handling, filling, emptying, refilling etc. The consumption of lubricants / chemicals shall be properly accounted for. Surplus material if any shall be properly stacked/tagged and returned to BHEL/ CUSTOMER stores at no extra cost to BHEL. BHEL reserves the right to recover costs for wastage by the contractor.
4.1.10	Transportation of oil drums, from stores, filling of oil for flushing, first filling, subsequent changeover if any, topping/making up till the unit is fully commissioned and handed over to customer is included in scope of this contract. The contractor shall have to return all the empty drums to BHEL / BHEL's client store at no extra cost. Any loss / damage to above drums shall be to contractor's account.
4.1.11	All charges on account of Octroi, terminal or sales tax and other duties on materials obtained from any source for carrying out the works in the scope of the contractor shall be borne by the contractor.
4.2	<b>TOOLS AND PLANTS / MONITORING AND MEASURING EQUIPMENT (MMEs)</b>
4.2.1	<b>T&amp;Ps and MMEs to be provided by Contractor</b>
4.2.1.1	All T&Ps and MMEs excepting those specifically indicated in BHEL scope are to be provided by the Contractor. Contractor has to make his own arrangement at his cost for completing the formalities (including arrangement of Road permits, if any) if required with Sales Tax/VAT authorities, for bringing their materials, plants and

## SPECIAL CONDITIONS OF CONTRACT (SCC)

### Chapter - IV : Obligations of Contractor

	equipments at site for the execution of work under this contract.
4.2.1.2	All suitable cranes, lifting and transport equipments for material handling at stores/yard/siding of BHEL/Customer are included in scope. BHEL's cranes will not be available for this purpose unless otherwise specifically permitted as per contract conditions
4.2.1.3	All T&Ps to be deployed by the contractor shall have the approval of BHEL Engineer with regard to brand, quality and specification.
4.2.1.4	Indicative list of Major T&Ps in the scope of Contractor are given in the Technical Conditions of Contract. Bidders to note that these are only indicative and as such all other T&P necessary for timely and satisfactory completion of work in scope shall be mobilized by Contractor
4.2.1.5	Timely deployment of adequate T&Ps is the responsibility of the contractor. The contractor shall be prepared to augment the T&P at short notice to match the planned programme and to achieve the milestones.
4.2.1.6	Contractor shall maintain and operate his tools and plants in such a way that major breakdowns are avoided. In the event of major breakdown, contractor shall make alternative arrangements expeditiously so that the progress of work is not hampered.
4.2.1.7	In the event of contractor failing to arrange the required tools, plants, machinery, equipment, material or non-availability of the same owing to breakdown, BHEL will make alternative arrangement at the risk and cost of the contractor. Decision of BHEL shall be final and binding on the contractor
4.2.1.8	The T&P to be arranged by the contractor shall be in proper working condition and their operation shall not lead to unsafe condition. The movements of cranes, and other equipment should be such that no damage / breakage occurs to foundations, other equipments, material, property and men. All arrangements for the movement of the T&P etc shall be the contractor's responsibility.
4.2.1.9	Use of welding generators/ rectifiers only shall be permitted for welding. Use of welding transformers will be subject to specific approval of BHEL engineer.
4.2.1.10	The contractor at his cost shall carry out periodical testing of his construction equipments. Test certificates shall be furnished to BHEL.
4.2.1.11	Contractor shall ensure deployment of serviced and healthy T&Ps including cranes, lifting tackles, wire ropes, manila ropes, winches and slings etc. History card and maintenance records for major T&Ps will be maintained by the contractor and will be made available to BHEL Engineer for inspection as and when required.

**Bharat Heavy Electricals Limited**

Power Sector – Eastern Region, Kolkata

**VOLUME-ID**

**TENDER NO. PSER:SCT:KLN-C1954:19**

**PAGE8OF47**

# SPECIAL CONDITIONS OF CONTRACT (SCC)

## Chapter - IV : Obligations of Contractor

	<p>Fitness certificate / Test Certificates of T&amp;P shall have to be submitted before it is put in use. Identification for such T&amp;Ps will be done as per BHEL Engineer's advice.</p> <p>BHEL reserves the right to permit only new slings up to 20 mm and lifting tackles up to 3 MT capacities.</p>
4.2.1.12	<p>Contractor shall ensure deployment of reliable and calibrated MMEs (Inspection measuring and Monitoring equipment). The MMEs shall have test / calibration certificates from authorized / Government approved / accredited agencies traceable to National / International standards. Each MME shall have a label indicating calibration status i.e. date of calibration, calibration agency and due date for calibration. A list of such instruments deployed by contractor at site with its calibration status is to be submitted to BHEL Engineer for control.</p>
4.2.1.13	<p>Re-testing / re-calibration shall also be arranged at regular intervals during the period of use as advised by BHEL Engineer within the contract price. The contractor will also have alternate arrangements for such MME so that work does not suffer when the particular instrument is sent for calibration. If any MMEs not found fit for use, BHEL shall have the right to stop the use of such item. It will be necessary for the contractor to deploy proper item. Any readings taken by the defective instrument will be recalled and repeat the readings taken by that instrument with a proper one. In case he fails to do so, BHEL may deploy MMEs and retake the readings at contractor's cost.</p>
4.2.1.14	<p>BHEL shall have lien on all T&amp;P, MMEs and other equipment of the contractor brought to the site for the purpose of erection, testing and commissioning. BHEL shall continue to hold the lien on all such items throughout the period of contract / extended period. The contractor and / or his sub-contractors, without the prior written approval of the Engineer, shall remove no material brought to the site.</p>
4.2.1.15	<p>The month wise T&amp;P deployment plan to execute the work is to be submitted as per relevant format as per the instruction of BHEL. It shall be the contractor's responsibility to deploy the required T&amp;P, for timely and successful completion of the job, to any extent.</p>
4.2.2	<b>Obligations in respect of T&amp;Ps and MMEs provided by BHEL</b>
4.2.2.1	<p>T&amp;P / MMEs being provided by BHEL to sub-contractor free of hire charges shall be shared by other subcontractors working for BHEL at site and the allotment done by BHEL Engineer shall be final and binding.</p>
4.2.2.2	<p>BHEL T&amp;P will be issued in basic assembled condition. Additional loose components / sub-assemblies / attachments as and when necessary, will be</p>

**Bharat Heavy Electricals Limited**

Power Sector – Eastern Region, Kolkata

**VOLUME-ID**

**TENDER NO. PSER:SCT:KLN-C1954:19**

**PAGE9OF47**

# SPECIAL CONDITIONS OF CONTRACT (SCC)

## Chapter - IV : Obligations of Contractor

	issued by BHEL. Assembly of such additional loose components/sub-assemblies/ attachments is in contractor's scope.
4.2.2.3	In case of non-availability of the T&Ps to be provided by BHEL due to breakdown, major overhauls, distribution pattern or any other reason, the contractor shall plan / amend / alter his activities to meet erection / commissioning targets in consultation with BHEL.
4.2.2.4	<b>void</b>
4.2.2.5	The contractor shall engage trained and experienced operators for the operation of BHEL's T&Ps. Their skill / performance will be checked by BHEL Engineer before they are allowed to operate the same. However checking of skills by BHEL does not absolve the contractor of his responsibilities for proper and safe handling of equipment, consistent good performance of operators and regular performance evaluation of operators.
4.2.2.6	<p>The day to day operation and maintenance of BHEL's T&amp;Ps (<b>Other than cranes</b>) shall be carried out by contractor as per manufacturer's / BHEL's maintenance schedule at his cost. The contractor shall arrange, at his own cost, trained operators, fuel and other consumables for their operation. BHEL shall arrange all spares needed for upkeep of major T&amp;Ps provided like Huck Bolting Machine*, DG Set, Induction Machine and Hydraulic Test pumps. The contractor has to arrange for fixing of the spares; supervision in specialized cases will be provided by BHEL. For upkeep of all other T&amp;Ps supplied by BHEL, spares shall be arranged by the Contractor. BHEL supplied T&amp;Ps shall be maintained in good working condition during the entire period of use. T&amp;Ps in defective / damaged condition shall be rectified promptly to the full satisfaction of BHEL engineer. Contractor shall maintain records for maintenance of major T&amp;Ps. These shall be made available for inspection whenever required. In case of any lapses on the part of the contractor, BHEL at its own discretion shall get the servicing / repair of equipment done at the risk and cost of the contractor along with BHEL overheads. Further, if there are breakdowns / damages due to negligence of the contractor, the complete service / repair charges and cost of all the spares damaged with BHEL overheads shall be recovered from contractor's RA bills.</p> <p>*: for operation and maintenance of ESP Huck bolting machine, BHEL shall provide the basic power rig and hose. Balance toolingsie Guns, chuck jaws etc are to be arranged by contractor.</p>
4.2.2.7	<b>void</b>

**Bharat Heavy Electricals Limited**

Power Sector – Eastern Region, Kolkata

**VOLUME-ID**

**TENDER NO. PSER:SCT:KLN-C1954:19**

**PAGE10OF47**

# SPECIAL CONDITIONS OF CONTRACT (SCC)

## Chapter - IV : Obligations of Contractor

4.2.2.8	Increasing / shortening of the crane boom to suit work requirements shall have to be arranged by the indenting contractor at his cost including restoration to a state as directed by BHEL. All necessary manpower tools, support, consumables, illumination etc. will have to be arranged by contractor at his cost. If required, contractor has to return the crane with original boom.
4.2.2.9	The area and infrastructure development of the area to be carried out by the customer. However in construction projects of this magnitude it is possible that all the areas / approaches may not be ready. In such cases backfilling of approaches where ever necessary, consolidation of ground and arrangement of sleepers / sand bag filling etc for safe operation / movement of equipment including cranes / trailers etc shall be the responsibility of the contractor at his cost. No compensation on this account shall be payable.
4.2.2.10	In the event of contractor not using and maintaining BHEL T&Ps according to BHEL's instructions. BHEL will have the right to withdraw such item without any notice and no claim in this regard shall be entertained and contractor shall be responsible for delay in execution on this account.
4.2.2.11	The contractor shall furnish regular utilization report of the BHEL T&Ps, as per requirement of BHEL.
4.2.2.12	Any loss / damage to any part of BHEL T&Ps and MMEs shall be to the contractor's account and any expenditure on these accounts by BHEL will be recovered from the contractor's bill in case the contractor fails to make good the loss.
4.2.2.13	It shall be responsibility of the contractor to take delivery of T&Ps and MMEs from stores or place of use by other contractor at project site, transport the same to site and return the same to BHEL store / place as intimated by Engineer in project site in good working conditions after use.
4.2.2.14	The contractor shall return BHEL T&Ps and MMEs issued to him in good working condition as and when desired by BHEL (on completion or reduction of workload). If contractor delays return of T&P and MME, hire charges as applicable shall be levied by BHEL from time, it was requisitioned till the time of actual return. T&Ps and MMEs returned in damaged / unserviceable condition shall be got repaired by BHEL at its own discretion and entire cost of repair with BHEL overheads shall be recovered from the contractor.
4.2.2.15	Replacement cost including BHEL overheads in respect of irreparable / completely damaged / non return of T&Ps and MMEs shall be recovered from the

**Bharat Heavy Electricals Limited**

Power Sector – Eastern Region, Kolkata

**VOLUME-ID**

**TENDER NO. PSER:SCT:KLN-C1954:19**

**PAGE11OF47**

# SPECIAL CONDITIONS OF CONTRACT (SCC)

## Chapter - IV : Obligations of Contractor

	contractor's running / final bills
<b>4.2.2.16</b>	<b>Obligations in respect of Cranes provided by BHEL</b>
a)	BHEL will make available the cranes (as per Technical Conditions of Contract) free of charge to the contractor on sharing basis mainly for the purposes enumerated/indicated therein. BHEL cranes have to be shared with other agencies / contractors of BHEL. The allocation of cranes shall be the discretion of BHEL engineer, which shall be binding on the contractor.
b)	BHEL Cranes may be initially issued in basic assembled condition. Any alteration/addition like boom reduction / extension, assembly of components/sub-assemblies needed for modulating the capacity/reach/other features of cranes and restoration to the state as directed by BHEL shall be the contractor's responsibility.
c)	<p>In case the BHEL cranes are not covered under AMC of BHEL, then the day-to-day upkeep and running maintenance like filling / topping up of lubricants, changing filters, etc including repair of self starter and dynamo of these cranes shall be the responsibility of the contractor. If on checking it is found that the same is not followed, BHEL will exercise its right to get the job/works done at the risk and cost of contractor.</p> <p>In case BHEL cranes are covered under AMC awarded by BHEL, then the day-to-day upkeep and running maintenance as described above are excluded from scope. However any additional helpers if any required during Preventive/Breakdown Maintenance, Assembly/disassembly shall be provided by contractor at no extra cost.</p> <p>BHEL may also provide cranes through crane hiring agencies in which case the day-to-day upkeep and running maintenance shall be excluded from scope of contractor.</p>
d)	Minor consumables like cotton cloth, cotton waste, etc is to be supplied by Contractor. All spares and lubricants/grease is excluded from scope. Contractor to give the requirements of these items well in advance in case the cranes provided by BHEL are BHEL owned cranes.
e)	Unless otherwise specified, trained operators for BHEL owned cranes shall be provided by the contractor. These operators should possess valid license for heavy vehicle.
f)	BHEL cranes will be withdrawn for regular and capital maintenance as per the respective schedule of maintenance. As far as possible such schedules will be intimated to the contractor in advance and may be adjusted depending on the work

**Bharat Heavy Electricals Limited**

Power Sector – Eastern Region, Kolkata

**VOLUME-ID**

**TENDER NO. PSER:SCT:KLN-C1954:19**

**PAGE12OF47**

## SPECIAL CONDITIONS OF CONTRACT (SCC)

### Chapter - IV : Obligations of Contractor

	requirements at site. However no claim whatsoever will be entertained on account of non-availability of cranes.
g)	Where the services of the cranes provided by BHEL are to be shared by other agencies/ contractors of BHEL, the contractor's responsibilities defined above will also be apportioned accordingly to the beneficiary agency. Working arrangements in this regard will be done at site by BHEL engineer and in any case his decision shall be final and binding.
h)	Major breakdowns will be attended to by BHEL. However, in case of breakdowns or damages due to negligence of the contractor, the complete service/repair charges including cost of spares shall be to the account of the contractor, along with BHEL overheads.
<b>4.2.2.17</b>	<b>Obligations in respect of Construction Lift/Elevators provided by BHEL</b>
a)	The total erection including commissioning, maintenance, statutory clearances shall be included in scope of work. Supervision by the original equipment supplier or their authorized agency shall be arranged for by BHEL, in case found necessary.
b)	All day to day and routine maintenance and checking is to be carried out by the contractor as per the recommendations of the supplier. He should periodically check the brakes and carry out the all works to ensure the safety of all those using the lift/elevator. BHEL shall arrange spares required for upkeep of Construction lift/elevator
c)	The construction lift/elevator should never be overloaded as this can lead to serious accidents. Ensuring all safety aspects in operation of the lift shall be the responsibility of the contractor. Erection of all the required number of landing platforms is included in scope. Landing platforms are to be provided with proper barricades and hand railings.
d)	After completion of contractual scope of work or as per BHEL advice, the temporary elevator/lift shall be dismantled and handed over to BHEL neatly identified/tagged. Temporary structures/platforms etc erected for the elevators/lifts are also to be dismantled and materials to be returned to stores as applicable. <b>The construction and dismantling of the foundations required for the construction/elevator lifts is included in the scope of the contractor.</b>

## SPECIAL CONDITIONS OF CONTRACT (SCC)

### Chapter – V : Responsibilities of Contractor in respect of Labour, Supervisory Staff, etc.

5.0	<b>RESPONSIBILITIES OF CONTRACTOR IN RESPECT OF LABOUR, SUPERVISORY STAFF, ETC.</b>
5.1	Refer relevant clauses of General Conditions of Contract (GCC) also in this regard
5.2	The contractor shall deploy all the necessary skilled/semiskilled/ unskilled labour including highly skilled workmen etc. These workmen should have previous experience on similar job. They shall hold valid certificates wherever necessary. BHEL reserves the right to insist on removal of any employee of the contractor at any time if he is found to be unsuitable and the contractor shall forthwith remove him.
5.3	Contractor shall also comply with the requirements of local authorities/ project authorities calling for police verification of antecedents of the workmen, staff etc.
5.4	It is the responsibility of the contractor to engage his workmen in shifts and or on overtime basis for achieving the targets set by BHEL. This target may be set to suit BHEL's commitments to its customer or to advance date of completion of events or due to other reasons. The decision of BHEL in regard to setting the erection and commissioning targets will be final and binding on the contractor.
5.5	Contractor shall provide at different elevation suitable arrangement for urinal and drinking water facility with necessary plumbing & disposal arrangement including construction of septic tank. These installations shall be maintained in hygienic condition at all times.
5.6	The Contractor in the event of engaging 20 or more workmen, shall obtain Independent license under the Contract labour (Regulation and Abolition) Act 1970 from the concerned authorities based on Form-V issued by the Principal Employer/Customer. In order to issue Form-V by Customer, Contractor shall fulfill all Statutory requirements like Insurance Policy, PF Code/PF Account number etc as per the requirement of BHEL/Customer
5.7	Contractor shall deduct the necessary amount towards Provident Fund and contribute equal amount as per Government of India laws. This amount will be deposited regularly to the provident Fund Commissioner. BHEL/Customer may insist for submission of the account code duly certified by PF Commissioner
5.8	Contractor may also be required to comply with provisions of ESI Act in vogue if applicable and submit evidence to BHEL.
5.9	BHEL / customer may insist for witnessing the regular payment to the labour. They may also like to verify the relevant records for compliance with statutory

## SPECIAL CONDITIONS OF CONTRACT (SCC)

### Chapter – V : Responsibilities of Contractor in respect of Labour, Supervisory Staff, etc.

	requirements. Contractor shall enable such facilities to BHEL / Customer.
5.10	Contractor shall deploy only qualified and experienced engineers/ supervisors. They shall have professional approach in executing the work.
5.11	The contractor's supervisory staff shall execute the work in the most professional manner in the stipulated time. Accuracy of work and aesthetic finish are essential part of this contract. They shall be responsible to ensure that the assembly and workmanship conform to dimensions and tolerances given in the drawings/instructions given by BHEL engineer from time to time.
5.12	The supervisory staff employed by the contractor shall ensure proper outturn of work and discipline on the part of the labour put on the job by the contractor. Also in general they should see that the works are carried out in a safe and proper manner and in coordination with other labour and staff employed directly by BHEL or other contractors of BHEL or BHEL's client.
5.13	It is the responsibility of the contractor to arrange gate pass for all his employees, T&P etc for entering the project premises. Necessary coordination with customer officials is the responsibility of the contractor. Contractor to follow all the procedures laid down by the customer for making gate passes. Where permitted, by customer / BHEL, to work beyond normal working hours, the contractor shall arrange necessary work permits for working beyond normal working hours.
5.14	The actual deployment will of Labour and Engineer/supervision staff shall be so as to satisfy the erection and commissioning targets set by BHEL. If at any time, it is found that the contractor is not in a position to deploy the required engineers/supervisors/workmen due to any reason, BHEL shall have the option to make alternate arrangements at the contractor's risk and cost. The expenditure incurred along with BHEL overheads thereon shall be recovered from the contractor
5.15	Contractor shall not deploy women labour at night.

**SPECIAL CONDITIONS OF CONTRACT (SCC)**  
**Chapter – VI: Material Handling, Storage & preservation**

---

6.0	<b>MATERIAL HANDLING, STORAGE AND PRESERVATION ETC</b>
6.1	<b>MATERIAL HANDLING AND STORAGE</b>
6.1.1	All the equipments/materials furnished under this contract shall be received from the project stores, sheds / storage yards and transported to pre assembly area / erection site and stored in the storage spaces in a manner so that they are easily retrievable till the contractor erects them. <b>While drawing/lifting material from BHEL / customer stores, the contractor shall ensure that the balance / other materials are stacked back immediately. No claim is admissible on this account</b>
6.1.2	While BHEL will endeavor to store / stack / identify materials properly in their open / close / semi closed / tarpaulins covered storage yard / shed, it shall be contractor's responsibility to assist BHEL in identifying materials well in time for erection. They should take the delivery of the same, following the procedure indicated by BHEL, and transport the material safely to pre-assembly yard / erection site in time, according to program.
6.1.3	The contractor shall take delivery of components, equipment / consumables from storage area after getting the approval of BHEL Engineer on standard indent forms.
6.1.4	The contractor shall identify and deploy necessary Engineers / supervisors / workmen for the above work in sufficient number as may be needed by BHEL, for areas covering their scope.
6.1.5	All the equipment shall be handled very carefully to prevent any damage or loss. No untested wire ropes / slings etc. shall be used for unloading / handling. The equipment shall be properly protected to prevent damage either to the equipment or to the floor where they are stored. The equipment from the stores shall be moved to the actual location at the appropriate time so as to avoid damage of such equipment at site.
6.1.6	Contractor shall ensure that while lifting slings shall be put over the points indicated on the equipment or as indicated in the manufacturer's drawings. Slings / shackles of proper size shall be used for all lifting and rigging purposes. All care shall be taken to safe guard the equipment against any damage. Dragging of piping / valves should be avoided. In case of any damage the cost shall be covered from the contractor.
6.1.7	Approach road conditions from the stores / yards to the erection site may not

**SPECIAL CONDITIONS OF CONTRACT (SCC)**  
**Chapter – VI: Material Handling, Storage & preservation**

	be equipped and ideal for smooth transportation of the equipment. Contractor may have to be adequately prepared to transport the materials under the above circumstances without any extra cost. . The contractor may familiar himself with soil conditions at site.
6.1.8	Contractor shall be responsible for examining all the plant and materials issued to him and notify the Engineer immediately of any damage, shortage, discrepancy etc before they are moved out of the stores / storage area. The contractor shall be solely responsible for any shortages or damages in transit, handling, storage and erection of the equipment once received by him. As the erection work will be spread in different areas / locations of the project, contractor has to arrange sufficient number of watch / ward personal to avoid any pilferage of material
6.1.9	The contractor shall maintain an accurate and exhaustive record-detailing out the list of all equipment received by him for the purpose of erection and keep such record open for the inspection of the engineer at any time.
6.1.10	All the material in the custody of contractor and stored in the open or dusty locations must be covered with suitable weather proof / fire retardant covering material wherever applicable and shall be blocked up on raised level above ground. All covering materials including blocks and sleeper shall be arranged by the contractor at his cost.
6.1.11	If the material belonging to the contractor are stored in area other than those earmarked for his operation the engineer will have the right to get it moved to the area earmarked for the contractor at the contractors risk and cost.
6.1.12	The contractor shall be responsible for making suitable indoor storage facilities to store all equipment (drawn by the contractor from BHEL / customer stores), which require indoor storage till the time of their installation. The Engineer will direct the contractor in this regard, which item in his opinion will require indoor storage, and the contractor shall comply with Engineer's decision.
6.1.13	The contractor shall ensure that all surplus / damaged / scrap / unused material, packing wood / containers/ special transporting frames etc are returned to BHEL at a place in project area identified by the Engineer. The contractor will maintain an account for all items received and returned to BHEL. Any shortage in returning such items shall be chargeable to the contractor except allowable wastage for packing wood only.
6.1.14	The contractor shall hand over all parts / materials remaining extra over the normal requirement with proper identification tags to the stores as directed by

**SPECIAL CONDITIONS OF CONTRACT (SCC)**  
**Chapter – VI: Material Handling, Storage & preservation**

	the concerned BHEL engineer.
6.1.15	The contractor shall ensure that all the packing materials and protective devices installed on equipment during transit and storage are removed before installation.
6.1.16	It shall be the responsibility of the contractor to keep the work / storage areas in neat, tidy and working conditions. All surplus/unusable packing and other materials shall be removed and deposited at location(s) specified by BHEL within the project premises. If required weighing of the same within the project premises will have to be carried out.
6.2	<b>PRESERVATION OF COMPONENTS</b>
6.2.1	After taking delivery from BHEL / customer's stores, plant materials storage shall be subjected to the following protection besides other provisions indicated in these specifications elsewhere.
6.2.1.1	Items stored outdoors shall be stacked up at least six inches (6") off the ground. Items should not be stored in a low lying area where water logging is a possibility. Contractor should have sufficient numbers of wooden / concrete / steel sleepers for the job.
6.2.1.2	Motors, valves, electrical equipment, control equipment and instruments, and special or precision items requiring special care, etc shall be stored indoors. Motor windings shall be kept dry by use of external heat or space heaters.
6.2.1.3	Bearings and other wearing surfaces of plant materials shall be protected against corrosion and kept clean and should be regularly monitored.
6.2.1.4	Insulation materials shall be stored indoors or otherwise protected against getting wet/ damaged, using suitable measures and should be protected from direct rain.
6.2.2	It shall be the responsibility of the contractor to apply preservatives / touch up paints (primer) on equipment handled and erected by him till such time of final painting. It shall be contractor's responsibility to arrange for required paints (primer), thinners, labour, scaffolding materials, cleaning materials like wire brush, emery sheets, etc, cleaning of surface and provide one coat of preservatives / paints (primer) from time to time as decided by BHEL engineer. The accepted rate shall include this work also. It is to be noted that such painting may have to be done as and when required till such time the final painting is carried out.
6.2.3	The contractor shall effectively protect the finished work from action of weather

**SPECIAL CONDITIONS OF CONTRACT (SCC)**  
**Chapter – VI: Material Handling, Storage & preservation**

---

	and from damage or defacement and shall cover the finished parts then and there for their protection.
<b>6.2.4</b>	Any failure on the part of contractor to carry out works according to above clauses will entail BHEL to carry out the job from any other party and recover the cost from contractor.

**SPECIAL CONDITIONS OF CONTRACT (SCC)**  
**Chapter – VII: Drawings and documents**

---

<b>7.0</b>	<b>DRAWINGS AND DOCUMENTS</b>
<b>7.1</b>	The detailed drawings, specifications available with BHEL engineers will be made available to the contractor during execution of work at site. The contractor will also ensure availability of all drawings / documents at work place.
<b>7.2</b>	Necessary drawings to carry out the erection work will be furnished to the contractor by BHEL on loan, which shall be returned to BHEL Engineer at site after completion of work. Contractor shall ensure safe storage and quick retrieval of these documents.
<b>7.3</b>	The contractor shall maintain a record of all drawings and documents available with him in a register as per format given by BHEL Engineer. Contractor shall ensure use of pertinent drawings / data / documents and removal of obsolete ones from work place and returning to BHEL.
<b>7.4</b>	The data furnished in various annexure enclosed with this tender specification are only approximate and for guidance. However, the change in the design and in the quantity may occur as is usual in any such large scale of work. The contractors quoted rates shall be inclusive of the above factor
<b>7.5</b>	Should any error or ambiguity be discovered in the specification or information the contractor shall forthwith bring the same to the notice of BHEL before commencement of work. BHEL's interpretation in such cases shall be final and binding on the contractor.
<b>7.6</b>	Deviation from design dimensions should not exceed permissible limit. The contractor shall not correct or alter any dimension / details, without specific approval of BHEL.

**SPECIAL CONDITIONS OF CONTRACT (SCC)**  
**Chapter – VIII: Inspection and Quality**

<b>8.0</b>	<b>INSPECTION AND QUALITY</b>
<b>8.1</b>	<b>Inspection, Quality Assurance, Quality Control</b>
<b>8.1.1</b>	Preparation of quality assurance log sheets and protocols with customer/ consultants/statutory authority, welding logs, NDE records, testing & calibration records and other quality control and quality assurance documentation as per BHEL engineer's instructions, is within the scope of work/specification. These records shall be submitted to BHEL/customer for approval from time to time.
<b>8.1.2</b>	The protocols between contractor and customer/ BHEL shall be made prior to installation for correctness of foundations, materials, procedures, at each stage of installation, generally as per the requirement of customer/ BHEL. This is necessary to ensure elimination of errors or keeping them within tolerable limits and to avoid accumulation and multiplication of errors.
<b>8.1.3</b>	<p>A daily log book should be maintained by every supervisor/engineer of contractor on the job in duplicate (one for BHEL and one for contractor) for detailing and incorporating alignment/clearance / centering / leveling readings and inspection details of various equipments etc.</p> <p>High pressure welding details like serial number of weld joints, welders name, date of welding, details of repair, heat treatment etc. will be documented in welding log as per BHEL Engineer's instructions.</p> <p>Record of radiography containing details like serial number of weld joints, date of radiography, repairs, if any, re-shots etc shall also be maintained as per BHEL Engineer's instructions.</p> <p><b>Record of heat treatments performed shall be maintained as prescribed by BHEL</b></p>
<b>8.1.4</b>	The performance of welders will be reviewed from time to time as per the BHEL standards. Welders' performance record shall be furnished periodically furnished for scrutiny of BHEL's Engineer. Corrective action as informed by BHEL shall be taken in respect of those welders not conforming to these standards. This may include removal/ discontinuance of concerned welder(s). Contractor shall arrange for the alternate welders immediately
<b>8.1.5</b>	All the welders shall carry identity cards as per the proforma prescribed by BHEL/Customer/Consultant. Only welders duly authorized by

## SPECIAL CONDITIONS OF CONTRACT (SCC)

### Chapter – VIII: Inspection and Quality

	BHEL/customer/consultant shall be engaged on the work.
8.1.6	Contractor shall provide all the Measuring Monitoring Equipments (MMEs) required for completion of the work satisfactorily. These MMEs shall be of brand, quality and accuracy specified by BHEL Engineer and should have necessary calibration and other certificates as per the requirement of BHEL Engineer. Decision of BHEL Engineer regarding acceptance or otherwise of the measuring instruments/gauges/tools for the work under this specification, is final and binding on the contractor. BHEL may give an indicative list of MMEs required for this work and to be made available by the contractor. The list will be reviewed by BHEL and the contractor shall meet any augmentation needed wherever required.
8.1.7	It is the responsibility of the contractor to prove the accuracy of the testing/measuring/calibrating equipments brought by him based on the periodicity of calibration as called for in the BHEL's quality assurance standards/BHEL Engineer's instructions.
8.1.8	Any re-laying or re-termination of cables/re-erection of instruments/recalibration of instruments etc. required due to contractor's mistake or design requirement and found at any stage inspection, shall be carried out by the contractor at no extra cost.
8.1.9	BHEL, Power Sector Regions (PSNR/PSER/PSWR/PSSR) have already been accredited with ISO 9001 certification and as such this work is subject to various audits to meet ISO 9001 requirements. One particular aspect which needs special mention is about arrangement of calibration of instruments by the contractor. Contractor shall ensure deployment of reliable and calibrated MMEs (Measuring and Monitoring Equipments). The MMEs shall have test / calibration certificates from authorised / Government approved / Accredited agencies traceable to National / International Standards. Re-testing / re-calibration shall also be arranged at regular intervals during the period of use as advised by BHEL Engineer within the contract price. The contractor will also have alternate arrangements for such MMEs so that work does not suffer when the particular equipment / instrument is sent for calibration. Also if any MMEs not found fit for use, BHEL shall have the right to stop the use of such item and instruct the contractor to deploy proper item and recall ie repeat the readings taken by that instrument, failing which BHEL may deploy MME and retake the readings at Contractor's cost.
8.1.10	Re-work necessitated on account of use of invalid MMEs shall be entirely to the

**Bharat Heavy Electricals Limited**

Power Sector – Eastern Region, Kolkata

VOLUME-ID

TENDER NO. PSER:SCT:KLN-C1954:19

PAGE 22 OF 47

# SPECIAL CONDITIONS OF CONTRACT (SCC)

## Chapter – VIII: Inspection and Quality

	contractor's account. He shall be responsible to take all corrective actions, including resource augmentation if any, as specified by BHEL to make-up for the loss of time.
8.1.11	In the courses of erection, it may become necessary to carry repeated checks of the work with instruments recently calibrated, re-calibrated. BHEL may counter/ finally check the measurements with their own MMEs. Contractor shall render all assistance in conduct of such counter/final measurements.
8.1.12	Total Quality is the watchword of the work and Contractor shall strive to achieve the Quality Standards, procedures laid down by BHEL. He shall follow all the instructions as per BHEL drawings and Quality Standards.
8.2	<b>Stage Inspection By FES/QA Engineers</b>
8.2.1	Apart from day-to-day inspection by BHEL Engineers stationed at Site and Customer's Engineers, stage inspection of equipments under erection and commissioning at various stages shall also be conducted by teams of Engineers from Field Engineering Services of BHEL's Manufacturing Units, Quality Assurance teams from Field Quality Assurance, Unit/Factory Quality Assurance and Commissioning Engineers from Technical Services etc. Contractor shall arrange all labour, tools and tackles etc along with proper access for such stage inspections free of cost.
8.2.2	Any modifications suggested by BHEL FES and QA Engineers' team shall be carried out. Claims of contractor, if any, shall be dealt as per Section 13, and provided such modifications have not arisen for reasons attributable to the contractor.
8.3	<b>Statutory Inspection of Work</b>
8.3.1	<p>The work to be executed under these specifications has to be offered for inspection, at appropriate stages of work completion, to various statutory authorities for compliance with applicable regulations.</p> <p>The work related statutory inspections, though not limited to, are as under:</p> <ol style="list-style-type: none"><li>1) Inspectorate of Steam Boilers and Smoke Nuisance</li><li>2) Electrical Inspector</li><li>3) Factory Inspector, Labour Commissioner, PF Commissioner and other authority connected to this project work</li></ol>

**SPECIAL CONDITIONS OF CONTRACT (SCC)**  
**Chapter – VIII: Inspection and Quality**

	The scope includes getting the approvals from the statutory authorities, which includes arranging for inspection visits of statutory authority periodically as per BHEL Engineer's instructions, arranging materials for ground inspection, taking rub outs for the pressure parts to be offered for inspection, submitting co-related inspection reports, documents, radiographs etc and following up the matter with them. Contractor shall also make all arrangements for offering the Products / Systems for inspection at location, as applicable, to the concerned authority.
8.3.2	Contractor should be qualified to execute pressure parts & piping work coming under the purview of IBR, for which he should register himself with CIB of state concerned. contractor also should be aware of the latest IBR regulations and Electricity Act, including the amendments thereof.
8.3.3	Contractor shall comply with 'Qualification Tests for welders engaged in welding of Boilers and Steam Pipes under Construction, Erection and Fabrication at Site in India and in repairing Boilers and steam pipes by welding' in line with Chapter XIII of Indian Boiler Regulations-1950, for testing his welders / men / workers, including all associated fees, procedures, required instruments and equipments and their calibration there of. It shall be contractor's responsibility to obtain approval of Statutory Authorities, wherever applicable, for the conducting of any work which comes under the purview of these authorities, at his cost.
8.3.4	The following fees shall be excluded from scope of Contractor: 1. Registration Fee as per Regulation 385 of Chapter IX of Indian Boiler Regulations-1950 2. Fees for inspection of Boiler at the site of Construction as per Regulation 395 A, sl no 4 of Chapter IX of Indian Boiler Regulations-1950 However all other fees like visit fees charged by the Boiler Inspector and other arrangements for his visit or visits till satisfactory completion of work, shall be included in scope of Contractor
8.4	The Quality Management System of BHEL, Power Sector Regions (PSNR/PSER/PSWR/PSSR) have already been certified and accredited under ISO 9002 standards in this regard. The basic philosophy of the Quality Management System is to define the organizational responsibility, work as per

**SPECIAL CONDITIONS OF CONTRACT (SCC)**  
**Chapter – VIII: Inspection and Quality**

---

	<p>documented procedures, verify the output with respect to acceptance norms, identify the non-conforming product/ procedure and take corrective action for removal of non-conformance specifying the steps for avoiding recurrence of such non-conformities, &amp; maintain the relevant quality records. The nonconformities are to be identified through the conduct of periodical audit of implementation of quality systems at various locations/stages of work. Suppliers/vendors of various products/services contributing in the work are also considered as part of the quality management system. .as such the contractor is expected not only to conform to the quality management system of BHEL but also it is desirable that they themselves are accredited under any quality management system standard.</p>
<b>8.5</b>	<b>Field Quality Assurance</b>
<b>8.5.1</b>	<p>Contractor shall carry out all activities conforming to the approved Field Quality Plan (FQP) as revised from time to time. Total quality shall be the watchword of the work and contractor shall strive to achieve the quality standards, procedures laid down by BHEL. He shall follow all the instructions as per BHEL drawings and quality standards. Contractor shall provide the services of quality assurance engineer as per the relevant clauses.</p>

# SPECIAL CONDITIONS OF CONTRACT (SCC)

## Chapter - IX: HSE & OHSAS

9.0	<p><b>OCCUPATIONAL HEALTH, SAFETY &amp; ENVIRONMENT MANAGEMENT/ QUALITY ASSURANCE PROGRAMME:</b></p> <p>BHEL, Power Sector Regions (PSNR/ER/WR/SR) are each certified for ISO 9001. Quality of work to customer's satisfaction and fulfillment of system requirements are the essence of ISO 9001 certification. BHEL, PS Regions have HSE certification (ISO 14001 &amp; OHSAS 18001) and therefore Contractor also shall organise/ plan/ perform all their activities to meet with the applicable requirements of these standards.</p>
9.1	<p><b>HSE (Health, safety &amp; Environment):</b></p> <p>Contractor will comply with HSE (Health, safety &amp; Environment) requirements of BHEL. HSE requirements in brief, are given below :-</p>
9.1.1	<p>Contractor will nominate one of their qualified and experienced employees as Safety Officer, who will be responsible for all HSE related issues of contractors work area. Safety Officer will have authority to stop any activity, in case he observes that the activity is not being carried out in safe manner. He will conduct surprise inspection as well as periodic inspection/drill (at least once in a month) and submit such reports to BHEL. He will conduct periodic meetings with supervisors of different working groups and explain HSE issues and use of PPEs to them. Reports of such meetings will be submitted to BHEL. Contractor will develop suitable work procedures based upon HSE guidelines and OCPs and implement it. Such work procedures will consist of Area of work, T&amp;P Details, Work Procedure, PPE requirements etc. Please refer Schedule VIII of BOCW Rules for number of safety officers, qualification, duties etc.</p> <p>Contractor should highlight the requirement of safety to staff and labour through daily tool box meeting before start of the days job.</p> <p>Contractor to also submit monthly safety reports as per the format/procedure of BHEL.</p>
9.1.2	<p>The contractor shall arrange induction and regular health check of their employees as per schedule VII of BOCW rules by aregistered medical practitioner. The contractor shall take special care of the employees affected with occupational diseases under rule 230 and schedule II of BOCW Rules. The employees not meeting the fitness requirement should not be engaged for such job</p>
9.1.3	<p>Following personnel protective equipments (PPEs), in adequate numbers, will</p>

## SPECIAL CONDITIONS OF CONTRACT (SCC)

### Chapter - IX: HSE & OHSAS

	be made available at site & their regular use by all concerned will be ensured :-
	- HELMET
	- SAFETY GOGGLES & WELDING FACE SHIELDS
	- SAFETY BELTS AND PROTECTIVE NET FOR WORKING AT HEIGHT
	- SAFETY SHOES
	- EAR PLUG
	- ANY OTHER SAFETY EQUIPMENT REQUIRED FOR SAFE COMPLETION OF THE WORK
	Contractor to also submit monthly reports on above as per the format/procedure of BHEL.
9.1.4	Providing appropriate First Aid facilities for prompt treatment of injuries and illness at work place. Arranging training to contractor workmen/ employees for giving first aid.
9.1.5	Arranging ambulance in case of any emergency situation .
9.1.6	Identification of nearest hospital and health check-up of workmen/employees
9.1.7	Providing filtered drinking water at work place in cool container.
9.1.8	Providing Canteen, Rest Room, Washing facilities to the contracted employees as per provisions of Contract Labour Regulation Act 1970 (Chapter V).
9.1.9	Providing appropriate fire fighting equipment at designated work place and nominate a fire officer/warden adequately trained for his job.
9.1.10	Identification of nearest fire station and display contact telephone nos. / person's name around work places for cases of emergencies .
9.1.11	Providing adequate no. of 24 V sources and ensure that no hand lamps are operating at voltage level above 24 Volts.
9.1.12	Fulfilling safety requirements at all power tapping points.
9.1.13	Red & White caution tape of proper width(1.5 to 2 inch) to be used for cordoning unsafe area such as open trench, excavation area etc.
9.1.14	Providing contractors company logo on cloths /uniform/ proper identity cards with photographs, for correct identification of people working at project site .
9.1.15	High/ Low pressure welders to be identified with separate colourclothings. No welders will be deployed without passing appropriate tests and holding valid welding certificates. Approved welding procedure should be displayed at work place.
9.1.16	Displaying safe handling procedures for all chemicals such as lube oil, acid, alkali, sealing compounds etc , at work place .

# SPECIAL CONDITIONS OF CONTRACT (SCC)

## Chapter - IX: HSE & OHSAS

9.1.17	All scaffolding/ platforms should be made from materials of appropriate quality/grade so that these are safe for use. It should be certified/declared safe for use by an experienced contractor person, before any scaffolding/platform is used. Please refer IS:3696 part 1&2 and 4014 part 1 & 2
9.1.18	All T&Ps/ MMEs should be of reputed brand/appropriate quality & must have valid test/calibration certificates bearing endorsement from competent authority of BHEL.. Contractor to also submit monthly reports of T&Ps deployed and validity test certificates to BHEL safety Officer as per the format/procedure of BHEL.
9.1.19	Ensure that the regulatory requirement of excessive weight limit (to carry/lift/ move weights beyond prescribed limits) for male and female workers are complied with.
9.1.20	Safety slogan, Safety/ Caution boards , wherever required to be displayed in consultation with BHEL.
9.1.21	Take suitable measures for waste management and environment related laws/legislation as a part of normal construction activities. Compliance with the legal requirements on storage/ disposal of paint drums (including the empty ones), Lubricant containers, Chemical Containers, and transportation and storage of hazardous chemicals will be strictly maintained. Ensure proper cleanliness of work place, housekeeping and waste management (including proper waste disposal ) on daily basis.
9.1.22	It is imperative on the part of the contractor to join and effectively contribute in joint measures such as tree plantation, environment protection, contributing towards social upliftment, conversion of packing woods to school furniture, keeping good relation with local populace etc.
9.1.23	The contractor shall carry out periodic air and water quality check and illumination level checking in his area of work place and take suitable control measure.
9.1.24	The Contractor is required to provide proper safety net systems (IS-11057) where ever the hazard of fall from height is present as per instruction of BHEL Engineer. The safety nets shall be fire resistant, duly tested and shall be of ISI Mark and the nets shall be located as per site requirements to arrest or to reduce the consequences of a possible fall of persons working at different heights.
9.1.25	All applicable OCPs (Operational control procedures) will be followed by contractor as per BHEL instructions. This will be done as part of normal scope of work. List of such OCPs is given below . In case any other OCP is found to

# SPECIAL CONDITIONS OF CONTRACT (SCC)

## Chapter - IX: HSE & OHSAS

be applicable during the execution of work at site, then contractor will follow this as well, within quoted rate. These OCPs (applicable ones) will be made available to contractor during work execution at site. However for reference purpose, these are kept with Safety Officer of BHEL at the Power Sector Regional HQ, or available in downloadable format in the website, which may be refereed by contractor, if they so desire.

- OCP for safe handling of chemicals
- OCP for Electrical safety
- OCP for energy conservation
- OCP for safe welding and gas cutting operation
- OCP for fire safety
- OCP for safety in use of hand tools
- OCP for first aid
- OCP for food safety at canteen
- OCP for safety in use of cranes
- OCP for storage and handing of gas cylinders
- OCP for manual arc welding
- OCP for safe use of helmets
- OCP for good house keeping
- OCP for working at height
- OCP for safe excavation
- OCP for safe filling of Hydrogen in cylinder
- OCP for illumination
- OCP for handling and erection of heavy metals
- OCP for safe acid cleaning
- OCP for safe alkali boil out
- OCP for safe oil flushing
- OCP for steam blowing
- OCP for safe working in confined area
- OCP for safe operation of passenger lift, material hoists & cages
- OCP for Vehicle maintenance
- OCP for safe radiography
- OCP for waste disposal
- OCP for working at night
- OCP for blasting
- OCP for DG Set
- OCP for handling & storage of mineral wool

**Bharat Heavy Electricals Limited**

Power Sector – Eastern Region, Kolkata

# SPECIAL CONDITIONS OF CONTRACT (SCC)

## Chapter - IX: HSE & OHSAS

	<ul style="list-style-type: none"> <li>■ OCP for drilling, reaming and grinding(machining) etc.</li> <li>■ OCP for hydraulic test</li> <li>■ OCP for spray insulation</li> <li>■ OCP for trial run of rotary equipment</li> <li>■ OCP for stress relieving</li> <li>■ OCP for material preservation</li> <li>■ OCP for cable laying/tray work</li> <li>■ OCP for electrical maintenance</li> <li>■ OCP for transformer charging</li> <li>■ OCP for safe handling of battery system</li> <li>■ OCP for computer operation</li> <li>■ OCP for storage in open yard</li> <li>■ OCP for sanitary maintenance</li> <li>■ OCP for batching</li> <li>■ OCP for piling rig operation</li> <li>■ OCP for gas distribution test</li> <li>■ OCP for cleaning of hotwell / deaerator</li> <li>■ OCP for electro-resistance heating</li> <li>■ OCP for compressor operation</li> <li>■ OCP for O&amp;M of control of AC plant &amp; system</li> <li>■ OCP for air compressor</li> <li>■ OCP for passivation</li> <li>■ OCP for Safe EDTA Cleaning</li> <li>■ OCP for Safe Chemical cleaning of Pre boiler system</li> <li>■ OCP for Safe Boiler Light up</li> <li>■ OCP for Safe Rolling and Synchronisation</li> <li>■ OCP for Safe Loading of Unit</li> </ul>
9.2	<p><b>SAFETY AND CLEANLINESS :</b></p> <p>The contractor shall take all necessary safety precautions and arrange for appropriate appliances as per discretion of BHEL or its authorised officials (Site Construction Manager) to prevent loss of human lives, injuries, to personnel engaged and damage to property. Before commencing the work, the contractor shall submit a "Safety Plan" to the above authorised BHEL official and obtain approval on the same. The safety plan shall indicate in detail the measures that would be taken by the contractor to ensure safety of men, equipment, materials and environment during execution of the work. This will also include an organization structure, role and responsibilities of the concerned key</p>

# SPECIAL CONDITIONS OF CONTRACT (SCC)

## Chapter - IX: HSE & OHSAS

	personnel, the safety practices that will be followed, PPEs deployed, plan for handling critical activities and emergencies.
9.3	If the contractor fails to take appropriate safety precautions or to provide necessary safety devices and equipment or to carry out instructions issued by the authorised BHEL official, BHEL shall have the right to take corrective steps at the risk and cost of the contractor.
9.4	During the course of construction, alternation or repairs, scrap with protruding nail, sharp edge etc and all other debris shall be kept clean from working areas, passage, ways and stairs in and around site.
9.5	Combustible scrap and debris shall be removed at regular intervals during the course of execution. Safe means shall be provided to facilitate such removal. The combustible scrap should be stored in safe place away from the plant materials to avoid fire accidents. The area shall be chosen in consultation with the Engineer and to be cordoned off.
9.6	Rigging equipment for materials handling shall be inspected prior to use in each shift and as necessary during its use to ensure that it is safe. Defective rigging equipment will be removed from service.
9.7	Rigging equipment shall not be loaded in excess of its recommended safe working load. Rigging equipment, when not in use, shall be removed from the original work area so as not to present a hazard to employees.
9.8	Contractor shall notify the engineer, of his intention to bring on to site any equipment or any container, with liquid or gaseous fuel or other substance which may create a hazard. The Engineer shall have the right to prescribe the condition under which such equipment or container may be handled and used during the performance of the works and the contractor shall strictly adhere to such instructions. The Engineer shall have the right to inspect any construction tool and to forbid its use, if in his opinion it is unsafe. No claim due to such prohibition will be entertained.
9.9	Where it is necessary to provide and/or store petroleum products or petroleum mixture & explosives, the contractor shall be responsible for carrying out such provision / storage in accordance with the rules & regulations laid down in the relevant petroleum act, explosive act and petroleum and carbide of calcium manual, published by the chief inspector of explosives of India. All such storage shall have prior approval if necessary from the chief inspector of explosives or any other statutory authority. The contractor shall be responsible for obtaining

# SPECIAL CONDITIONS OF CONTRACT (SCC)

## Chapter - IX: HSE & OHSAS

	the same.
9.10	Cylinders shall be moved by tilting and rolling them on their bottom edges. They shall not be intentionally dragged, struck or permitted to strike each other violently.
9.11	When cylinders are transported by powered vehicle they shall be secured in a vertical position.
9.12	All workmen of the contractor working on construction area shall wear safety shoes, hand gloves, safety helmets and safety belt as applicable. The contractor shall provide to its workforce and ensure the use of following personnel protective equipment as found necessary and as directed by BHEL.
9.12.1	Safety Helmets conforming to IS-2925 : 1984
9.12.2	Safety Belts conforming to IS-3521:1983
9.12.3	Safety Shoes conforming to IS-1989 : 1978
9.12.4	Eye and face protection devices conforming to IS – 1179:1967, IS 5983:1980, IS 8521 Part 1:1977, IS 8521 Part 2: 1994.
9.12.5	Hand and body protection devices conforming to IS 4770:1991 and IS- 6994 : Part 1: 1973, IS – 8619 : 1977
9.12.6	Ear protection IS-9167:1979
9.12.7	Respiratory Protective Devices as per IS-9473:2002, i4746:1999 and 14166:1994
9.13	The contractor shall insure his workmen against all accidents and the policy shall be presented to BHEL Engineer on demand. Other wise, BHEL will arrange the same and the expenditure towards this will be debited to the contractor. In case of a fatal or disabling injury accident to any person at construction site due to lapses by the contractor, the victim and/or his/her dependants shall be compensated by the contractor as per statutory requirements. However, if considered necessary BHEL shall have the right to impose appropriate financial penalty on contractor and recover the same from payments due to the contractor for suitably compensating the victim and/or his/her dependence before imposing any such penalty. Appropriate enquiry shall be held by BHEL giving opportunity to the contractor for presenting his case. Above safety conditions are not exhaustive but gives an idea for the contractor and contractor shall adhere to all safety precaution given by the

# SPECIAL CONDITIONS OF CONTRACT (SCC)

## Chapter - IX: HSE & OHSAS

	Engineer at site.
9.14	The contractor shall arrange at his cost adequate lighting facilities e.g. flood lighting, hand lamps, area lighting etc. at various levels for safe and proper working operations during night hours at the work spot as well as at the pre-assembly area.
9.15	The contractor shall be responsible for provision of all the safety notices and safety equipment as enjoined on him by the application of relevant statutory regulation / provisions and/or as called upon by BHEL from time to time. He shall be held responsible for any violation of statutory regulations (local, state or central) and BHEL instruction that may endanger safety of men, equipment and material.
9.16	The contractor shall provide temporary fencing wherever required as a safety measure against accident and damage to properties. Suitable caution notices shall be displayed where access to any part is found to be unsafe and hazardous.
9.17	Contractor shall ensure safety of all the workmen, material and equipment either belonging to him or to others working at site. He shall observe safety rules and codes applied by BHEL without exception.
9.18	It will be the responsibility of the contractor to ensure safe lifting of the equipment, taking due precaution to avoid any accident and damage to other equipment and personnel. All requisite tests and inspection of handling equipment, tools & tackle shall be periodically done by the contractor by engaging only the COMPETENT PERSONS as per law. Defective equipment or uncertified shall be removed from service. Any equipment shall not be loaded in excess of its recommended safe working load.
9.19	The contractor shall provide necessary first aid facilities as per schedule III. In addition, ambulance facilities, OHC and CMO as per schedule IV, V, X and XI of BOCW Rules as applicable for all his employees, representatives and workmen at site and BHEL shall have no obligation in this regard. The first aid boxes should be placed at various elevations so as to make them available within the reach and at the quickest possible time. The contractor should conduct periodical first –aid classes to keep his supervisor and Engineers properly trained for attending to any emergency.
9.20	Training

# SPECIAL CONDITIONS OF CONTRACT (SCC)

## Chapter - IX: HSE & OHSAS

9.20.1	The contractor shall arrange induction safety training for all employees before assigning work. In addition, awareness programme, mock drill at regular intervals and daily tool box meetings shall be arranged. Monthly report of the above to be given to BHEL safety Officer as per prescribed BHEL formats
9.20.2	All the contractor's supervisory personnel and sufficient number of workers shall be trained for fire protection systems. Enough number of such trained personnel must be available during the tenure of contract. Contractor should nominate his supervisor to coordinate and implement the safety measures.
9.21	Contractor shall provide enough fire protecting equipment of the types and numbers at his office, stores, temporary structure in labour colony etc. Such fire protection equipment shall be easy and kept open at all times. The fire extinguishers shall be properly refilled and kept ready which should be certified at periodic intervals. The date of changing should be marked on the Cylinders. All other fire safety measures as laid down in the "codes for fire safety at construction site" issued by safety coordinator of BHEL shall be followed. Non-compliance of the above requirement under fire protection shall in no way relieve the contractor of any of his responsibility and liabilities to fire accident occurring either to his materials or equipment or those of others. Emergency contacts nos must be displayed at prominent locations
9.22	The contractor shall at his cost, remove from vicinity of work at least once each day all combustible waste, scrap, painting materials, rubbish, unused or other materials and deposit them in places specified by BHEL to keep the work site clear and tidy. Use of undercoated canvas paper, corrugated paper, fabricated carton, plastic or other flammable materials shall be restricted to the minimum and promptly removed.
9.23	The contractor shall not use any hand lamp energized by Electric power with supply voltage of more than 24 volts in confined spaces like inside water boxes, turbine casings, condensers etc.
9.24	All portable electric tools used by the contractor shall have safe plugging system to source of power and be appropriately earthed. Only electricians licensed by appropriate statutory authority shall be employed by the contractor to carry out all types of electrical works. Details of earth resource and their test date to be given to BHEL safety officer as per the prescribed formats of BHEL
9.25	In case of any delay in completion of a job due to mishaps attributable to lapses by the contractor, BHEL shall have the right to recover cost of such delay from

# SPECIAL CONDITIONS OF CONTRACT (SCC)

## Chapter - IX: HSE & OHSAS

	the payments due to the contractor, after notifying the contractor suitably.
9.26	Valve protection caps shall be kept in place and secured.
9.27	The contractor shall be responsible for the safe storage and handling of his radio-active sources as per BARC rules and regulations.
9.28	Tarpaulin being inflammable should not be used (instead, only non infusible covering materials shall be used) as protective cover while preheating, welding, stress relieving etc. at site.
9.29	If the contractor fails to improve the standards of safety in its operation to the satisfaction of BHEL after being given reasonable opportunity to do so and/or if the contractor fails to take appropriate safety precautions or to provide necessary safety devices and equipment or to carry out instruction regarding safety issued by BHEL, BHEL shall have the right to take corrective steps at the risk and cost of the contractor after giving a notice of not less than 7 days indicating the steps that would be taken by BHEL.
9.30	If the contractor succeeds in carrying out its job in time with out any fatal or disabling injury accident and without any damage to property BHEL may, at its sole discretion, favorably consider to reward the contractor suitably for the performance.
9.31	The contractor shall carefully follow the safety requirement of BHEL/ the purchaser with the regard to voltages used in critical areas.
9.32	The contractor shall use only properly insulated and armored cables which conform to the requirement of Indian Electricity Act and Rules for all wiring, electrical applications at site. BHEL reserves the right to replace any unsafe electrical installations, wiring, cabling etc. at the cost of the contractor. All electrical appliances used in the work shall be in good working condition and shall be properly earthed. No maintenance work shall be carried out on live equipment. The contractor shall maintain adequate number of qualified electricians to maintain his temporary electrical installations. Area wise Electrical safety inspection is to be carried out on monthly basis as per "Electrical Safety Inspection checklist' and the report is to be submitted to BHEL safety officer
9.33	The contractor shall arrange adequate number of persons specifically for clearing any debris and for house keeping of the erection area including restacking of components in the erection areas. Housekeeping to be carried out

# SPECIAL CONDITIONS OF CONTRACT (SCC)

## Chapter - IX: HSE & OHSAS

	as per BHEL's checklist and report is to be submitted to BHEL safety officer
9.34	In case of any damage to property due to lapses by the contractor, BHEL shall have the right to recover the cost of such damages from the contractor after holding an appropriate enquiry.
9.35	The contractor shall submit report of all accidents, fires and property damage etc to the Engineer immediately after such occurrence, but in any case not later than 24 hours of the occurrence. Such reports shall be furnished in the manner prescribed by BHEL. In addition periodic reports on safety shall also be submitted by the contractor to BHEL from time to time as prescribed by the Engineer. Compiled monthly reports of all kinds of accidents, fires and property damage to be submitted to BHEL safety officer as per prescribed formats
9.36	Before commencing the work, the contractor shall appoint/nominate a responsible person to supervise implementation of all safety measures and liaison with his counterpart of BHEL.
9.37	Suitable scaffolds shall be provided for workman for all works that cannot safely be done from the ground, or from solid construction except in the case of short duration of work which can be done safely from ladders. When a ladder is used, it shall be of rigid construction made of steel. The steps shall have a minimum width of 45 cm and a maximum rise of 30 cm. Suitable handholds of good quality wood or steel shall be provided and the ladder shall be given an inclination not steeper than ¼ horizontal and 1 vertical.
9.38	Scaffolding or staging more than 3.6 m above the ground floor, swung or suspended from an overhead support or erected with stationery support shall have a guard rail properly bolted, braced or otherwise secured, at least 90 cm above the floor or platform of such scaffolding or staging and extending along the entire length of the out side and ends thereof with only such openings as may be necessary for the delivery of materials. Such scaffolding or staging shall be so fastened as to prevent it from savor, from swaying, from the building or structure.
9.39	Working platforms, gangways and stairways shall be so constructed that they do not sag unduly or unequally and if the height of the platform gangways provided is more than 3.6 m above ground level or floor level, they shall be closely boarded and shall have adequate width which shall not be less than 750 mm and be suitably fenced as described above.

# SPECIAL CONDITIONS OF CONTRACT (SCC)

## Chapter - IX: HSE & OHSAS

9.40	Every opening in the floor or a building or in a working platform shall be provided with suitable means to prevent the fall of persons or materials by providing suitable fencing or railing whose minimum height shall be 90 cm.
9.41	Wherever there are open excavation in ground, they shall be fenced off by suitable railing and danger signals installed at night so as to prevent persons slipping into the excavations.
9.42	Safe means of access shall be provided to all working places. Every ladder shall be securely fixed. No portable single ladder shall be over 9 m in the length while the width between side rails in rung ladder shall in no case be less than app. 29.2 cm for ladder upto and including 3 m in length. For longer ladders this width shall be increased at least ¼" for each additional foot of length.
9.43	A sketch of the ladders and scaffolds proposed to be used shall be prepared and approval of the Engineer obtained prior to Construction.
9.44	All personnel of the Contactor working within the plant site shall be provided with safety helmets. All welders shall wear welding goggles while doing welding work and all metal worker shall be provided with safety gloves. Persons employed on metal cutting and grinding shall wear safety glasses.
9.45	Adequate precautions shall be taken to prevent danger for electrical equipment. No materials on any of the sites of work shall be so stacked or placed as to cause danger or inconvenience to any person or the public.
9.46	All trenches, four feet or more in depth, shall at all times be supplied with at least one ladder for each 30 m in length or fraction thereof. The ladder shall be extended from bottom of the trench to at least 90 cm above the surface of the ground. Sides of the trenches which are 1.50 m or more in depth shall be stepped back to give suitable slope or securely held by timer bracing, so as to avoid the danger of sides collapsing. The excavated materials shall not be placed within 1.5 m of the edges of the trench or half of the depth of the trench whichever is more. Cutting shall be done from top to bottom. Under no circumstances undermining or undercutting shall be done.
9.47.1	The contractor shall take permission of BHEL prior to risky jobs such as working at height, hot work, liftig activities, etc through permits. No job should be started without permits.
9.47.2	The Contactor shall take all measures at the sites of the work to protect all persons from accidents and shall be bound to bear the expenses of defense of

## SPECIAL CONDITIONS OF CONTRACT (SCC)

### Chapter - IX: HSE & OHSAS

	every suit, action or other proceeding at law that may be brought by any persons for injury sustained or death owing to neglect of the above precautions and to pay any such persons such compensation or which may with the consent of the Contractor be paid to compromise any claim by any such person should such claim proceeding be filed against BHEL, the Contractor hereby agrees to indemnify BHEL against the same.
9.48	Before any demolition work is commenced and also during the process of the work the following shall be ensured:
9.48.1	All roads and open areas adjacent to the work site shall either be closed or suitably protected.
9.48.2	No electric cable or apparatus which is liable to be a source of danger nor a cable or an apparatus used by the operator shall remain electrically charged.
9.48.3	All practical steps shall be taken to prevent danger to persons employed from the risks of fire or explosion or flooding. No floor, roof or other part of the building shall be so overloaded with debris or materials as to render them unsafe.
9.49	All necessary personnel safety equipment as considered adequate by the Engineer should be kept available for the use of the persons employed in the Site and maintained in a condition suitable for immediate use and the Contractor should take adequate steps to ensure proper use of equipment by those concerned.
9.49.1	Workers employed on mixing asphalted materials, cement and lime mortars shall be provided with protective foot wear and protective goggles.
9.49.2	Those engaged in white washing and mixing or stacking of cement bags or any materials which is injurious to the eyes shall be provided with protective goggles.
9.49.3	Those engaged in welding works shall be provided with welder's protective eyesight lids.
9.49.4	Stone breakers shall be provided with protective goggles and protective clothing and seated sufficient to safe intervals.
9.49.5	Where workers are employed in sewers and manholes, which are in use, the Contractor shall ensure that the manhole covers are opened and ventilated at least for an hour before the workers are allowed to get into manhole, and the manholes so opened shall be cordoned off with suitable railing and provided

**Bharat Heavy Electricals Limited**

Power Sector – Eastern Region, Kolkata

**VOLUME-ID**

**TENDER NO. PSER:SCT:KLN-C1954:19**

**PAGE38OF47**

# SPECIAL CONDITIONS OF CONTRACT (SCC)

## Chapter - IX: HSE & OHSAS

	with warning signals or boards to prevent accident to the public.
9.49.6	The Contractor shall not employ men below the age of 18 years and women on the work of painting with products containing lead in any form. Wherever men above the age of 18 are employed on the work of lead painting, the following precautions should be taken.
9.49.6.1	No paint containing lead or lead products shall be used except in the form of paste or ready made paint.
9.49.6.2	Suitably face masks should be supplied for use by the workers where paints are applied in the form of spray or a surface having lead paint dry rubbed and scrapped.
9.49.6.3	Overalls shall be supplied by the Contractor to the workmen and adequate facilities shall be provided to enable the working painters to wash during the cessation of work.
9.50	When the work is being done near any place where there is risk of drowning all necessary equipment should be provided and kept ready for use and all necessary steps taken for prompt rescue of any person in danger and adequate provision should be made for prompt first aid treatment of all injuries likely to be sustained during the course of the work.
9.51	Motors, gearing, transmission, electric wiring and other dangerous parts of hoisting appliances should be provided with efficient safe guards. Hoisting appliance should be provided with such means as will reduce to the minimum the risk of any part of a suspended load becoming accidentally displaced. When workers employed on electrical installations which are already energized, insulting mats, wearing apparel, such as gloves, sleeves and boots as may be necessary should be provided. The worker should not wear any rings, watches and carry keys or other materials which are good conductor of electricity.
9.52	All scaffolds, ladders and other safety devices mentioned or described herein shall be maintained in safe condition and no scaffold, ladder or equipment shall be altered or removed while it is in use. Adequate washing facilities should be provided at or near the places of work.
9.53	The contractor shall maintain and ensure necessary safety measures as required for inspection and tests HV test, Pneumatic test, Hydraulic test, Spring test, Bend test etc as applicable, to enable inspection Agency for performing Inspection. If any test equipment is found not complying with proper safety

# SPECIAL CONDITIONS OF CONTRACT (SCC)

## Chapter - IX: HSE & OHSAS

	requirements then the Inspection Agency may withhold inspection, till such time the desired safety requirements are met.
9.54	The Contractor shall notify BHEL of his intention to bring to site any equipment or material which may create hazard. BHEL shall have the right to prescribe the conditions under which such equipment or materials may be handled and the contractor shall adhere to such instructions. BHEL may prohibit the use of any construction machinery, which according to him is unsafe. No claim for compensation due to such prohibition will be entertained by BHEL.
9.55	All safety precautions shall be taken for welding and cutting operations as per IS-818. All safety precautions shall be taken for foundation and other excavation marks as per IS-3764.
9.56	.All gas cylinders shall be stored in upright position. Suitable trolley shall be used. There shall be flash-back arrestors conforming to IS-11006 at both cylinder and burner ends. Damaged tube and regulators must be immediately replaced. No of cylinders shall not exceed the specified quantity as per OCP
9.57	These safety provisions should be brought to the notice of all concerned by display on a notice board at a prominent, place at work spot. The persons responsible for compliance of the safety code shall be named therein by the Contractor
9.58	To ensure effective enforcement of the rules and regulations relating to safety precautions the arrangement made by the contract shall be open to inspection by the Engineer of the Engineer's Representative.
9.59	Keeping the work area clean/ free from debris, removed scaffoldings, scraps, insulation/sheeting wastage /cut pieces, temporary structures, packing woods etc. will be in the scope of the contractor. Such cleanings has to be done by contractor within quoted rate, on daily basis by an identified group. If such activity is not carried out by contractor / BHEL is not satisfied, then BHEL may get it done by other agency and actual cost alongwith BHEL overheads will be deducted from contractor's bill. Such decisions of BHEL shall be binding on the contractor.
9.60	Notwithstanding the above clauses there is nothing to exit the Contractor from the operations of any other Act or Rule in force in area of work in this respect.  Provided always that all safety measures apart from those specifically provided in this agreement which are brought to the notice of the Contractor from time to time by the Engineer shall be complied by the Contractor. Provided further that

**Bharat Heavy Electricals Limited**

Power Sector – Eastern Region, Kolkata

**VOLUME-ID**

**TENDER NO. PSER:SCT:KLN-C1954:19**

**PAGE40OF47**

# SPECIAL CONDITIONS OF CONTRACT (SCC)

## Chapter - IX: HSE & OHSAS

	all consequences, damages, or losses arising by reason of any safety code shall be met with by the Contractor.																																																																
9.61	<p><b><u>NON COMPLIANCE:-</u></b>  NONCONFORMITY OF SAFETY RULES AND SAFETY APPLIANCES WILL BE VIEWED SERIOUSLY AND BHEL HAS RIGHT TO IMPOSE FINES ON THE CONTRACTOR AS UNDER <b><u>for every instance of violation noticed:</u></b></p> <table border="1" style="width: 100%; border-collapse: collapse;"> <thead> <tr> <th style="width: 10%;">SN</th> <th style="width: 70%;">Violation of Safety Norms</th> <th style="width: 20%;">Fine (in Rs)</th> </tr> </thead> <tbody> <tr><td>01</td><td>Not Wearing Safety Helmet</td><td>50/- *</td></tr> <tr><td>02.</td><td>Not wearing Safety Belt or not anchoring life line</td><td>100/-*</td></tr> <tr><td>03</td><td>Not wearing safety shoe</td><td>100/-*</td></tr> <tr><td>04</td><td>Not keeping gas cylinders vertically</td><td>100/-</td></tr> <tr><td>05</td><td>Not using flash back arrestors</td><td>50/-</td></tr> <tr><td>06</td><td>Not wearing gloves</td><td>50/- *</td></tr> <tr><td>07.</td><td>Grinding Without Goggles</td><td>50/- *</td></tr> <tr><td>08.</td><td>Not using 24 V Supply For Internal Work</td><td>500/-</td></tr> <tr><td>09.</td><td>Electrical Plugs Not used for hand Machine</td><td>100/-</td></tr> <tr><td>10.</td><td>Not Slinging property</td><td>200/-</td></tr> <tr><td>11.</td><td>Using Damaged Sling</td><td>200/-</td></tr> <tr><td>12.</td><td>Lifting Cylinders Without Cage</td><td>500/-</td></tr> <tr><td>13.</td><td>Not Using Proper Welding Cable With Lot of Joints And Not Insulated Property.</td><td>200/-</td></tr> <tr><td>14.</td><td>Not Removing Small Scrap From Platforms</td><td>200/-</td></tr> <tr><td>15.</td><td>Gas Cutting Without Taking Proper Precaution or Not Using Sheet Below Gas Cutting</td><td>200/-</td></tr> <tr><td>16.</td><td>Not Maintaining Electric Winches Which are Operated Dangerously</td><td>500/-</td></tr> <tr><td>17.</td><td>Improper Earthing Of Electrical T&amp;P</td><td>500/-</td></tr> <tr><td>18</td><td>No or improper barricading</td><td>500/-</td></tr> <tr><td>19.</td><td>Activity carried out without Safety work permit (Height work, Lifting activity, Hot work-each person/case)</td><td>1000/-</td></tr> <tr><td>20.</td><td>Accident Resulting in Partial Loss in Earning Capacity</td><td>25,000/- per victim</td></tr> </tbody> </table>		SN	Violation of Safety Norms	Fine (in Rs)	01	Not Wearing Safety Helmet	50/- *	02.	Not wearing Safety Belt or not anchoring life line	100/-*	03	Not wearing safety shoe	100/-*	04	Not keeping gas cylinders vertically	100/-	05	Not using flash back arrestors	50/-	06	Not wearing gloves	50/- *	07.	Grinding Without Goggles	50/- *	08.	Not using 24 V Supply For Internal Work	500/-	09.	Electrical Plugs Not used for hand Machine	100/-	10.	Not Slinging property	200/-	11.	Using Damaged Sling	200/-	12.	Lifting Cylinders Without Cage	500/-	13.	Not Using Proper Welding Cable With Lot of Joints And Not Insulated Property.	200/-	14.	Not Removing Small Scrap From Platforms	200/-	15.	Gas Cutting Without Taking Proper Precaution or Not Using Sheet Below Gas Cutting	200/-	16.	Not Maintaining Electric Winches Which are Operated Dangerously	500/-	17.	Improper Earthing Of Electrical T&P	500/-	18	No or improper barricading	500/-	19.	Activity carried out without Safety work permit (Height work, Lifting activity, Hot work-each person/case)	1000/-	20.	Accident Resulting in Partial Loss in Earning Capacity	25,000/- per victim
SN	Violation of Safety Norms	Fine (in Rs)																																																															
01	Not Wearing Safety Helmet	50/- *																																																															
02.	Not wearing Safety Belt or not anchoring life line	100/-*																																																															
03	Not wearing safety shoe	100/-*																																																															
04	Not keeping gas cylinders vertically	100/-																																																															
05	Not using flash back arrestors	50/-																																																															
06	Not wearing gloves	50/- *																																																															
07.	Grinding Without Goggles	50/- *																																																															
08.	Not using 24 V Supply For Internal Work	500/-																																																															
09.	Electrical Plugs Not used for hand Machine	100/-																																																															
10.	Not Slinging property	200/-																																																															
11.	Using Damaged Sling	200/-																																																															
12.	Lifting Cylinders Without Cage	500/-																																																															
13.	Not Using Proper Welding Cable With Lot of Joints And Not Insulated Property.	200/-																																																															
14.	Not Removing Small Scrap From Platforms	200/-																																																															
15.	Gas Cutting Without Taking Proper Precaution or Not Using Sheet Below Gas Cutting	200/-																																																															
16.	Not Maintaining Electric Winches Which are Operated Dangerously	500/-																																																															
17.	Improper Earthing Of Electrical T&P	500/-																																																															
18	No or improper barricading	500/-																																																															
19.	Activity carried out without Safety work permit (Height work, Lifting activity, Hot work-each person/case)	1000/-																																																															
20.	Accident Resulting in Partial Loss in Earning Capacity	25,000/- per victim																																																															

# SPECIAL CONDITIONS OF CONTRACT (SCC)

## Chapter - IX: HSE & OHSAS

	21. Fatal Accident/Accidents Resulting in total loss in Earning Capacity	1,00,000/- per victim #
Legend:- *: per head, #: or as deducted by Customer whichever is higher		
Any other non-conformity noticed not listed above will also be fined as deemed fit by BHEL. The decision of BHEL engineer is final on the above. The amount will be deducted from running bills of the contractor. The amount collected above will be utilized for giving award to the employees who could avoid accident by following safety rules. Also the amount will be spent for purchasing the safety appliances and supporting the safety activity at site.		
9.61	<b><u>CITATION:</u></b> If safety record of the contractor in execution of the awarded job is to the satisfaction of safety department of BHEL, issue of an appropriate certificate to recognize the safety performance of the contractor may be considered by BHEL after completion of the job	
9.62	<b><u>MEMORANDUM OF UNDERSTANDING</u></b> After Award Of Work, Contractors Are Required To Enter Into A Memorandum Of Understanding As Given Below: <p style="text-align: center;"><b><u>Memorandum of Understanding</u></b></p> <ul style="list-style-type: none"> <li>➤ BHEL, Power Sector _____ Region is committed to Health, Safety and Environment Policy (EHS Policy).</li> <li>➤ M/s _____ do hereby also commit to the same EHS Policy while executing the Contract Number _____</li> <li>➤ M/s _____ shall ensure that safe work practices not limited to the above are followed by all construction workers and supervisors. Spirit and content therein shall be reached to all workers and supervisors for compliance.</li> <li>➤ BHEL will be carrying out EHS audits twice a year and M/s _____ shall ensure to close any non-conformity observed/reported within fifteen days.</li> </ul> <p>Signed by authorized representative of M/s -----</p>	

**SPECIAL CONDITIONS OF CONTRACT (SCC)**  
**Chapter - IX: HSE & OHSAS**

---

	Name :  Place & Date:
--	-----------------------------

**SPECIAL CONDITIONS OF CONTRACT (SCC)**  
**Chapter-X: RA Bill Payments**

<b>10.0</b>	<b>RA Bill Payments</b>
10.1	The contractor shall submit his monthly RA bills with all the details required by BHEL on specified date every month covering progress of work in all respects and areas for the previous calendar month.
10.2	Mode of payment and measurement of work completed shall be as per relevant clauses of General Conditions of Contract
10.3	Release of payment in each running bill including PVC Bills where ever applicable will be restricted to 95% of the value of work admitted as per stages of progressive pro rata payments.
10.4	The 5% thus remaining shall be treated as 'Retention Amount' and shall be released as per terms specified in the General Conditions of Contract.
10.5	<p>The payment for running bills will normally be released within 30 days of submission of running bill complete in all respects with all documents. It is the responsibility of the contractor to make his own arrangements for making timely payments towards labour wages, statutory payments, outstanding dues etc and other dues in the meanwhile.</p> <p>In case of Civil works, 60% of RA Bills complete and correct in all respects and certified by BHEL Engineer, shall be paid within 15 days of receipt. Balance payment shall be within 30 days.</p>
10.6	<p>BHEL shall release payment through Electronic Fund Transfer (EFT)/RTGS. In order to implement this system, Contractor to furnish details pertaining to his Bank Accounts where proceeds will be transferred through BHEL's banker, as per prescribed formats:</p> <p>Note: BHEL may also choose to release payment by other alternative modes as applicable</p>
10.7	Paying Authority shall be the Construction Manager of the Site. Any change in the paying Authority shall be intimated to the Contactor accordingly.

**SPECIAL CONDITIONS OF CONTRACT (SCC)**  
**Chapter-XI : Performance Monitoring**

11.0	<b>Performance Monitoring</b>
11.1	Performance of the contractor is monitored through various reports/reviews and shall be jointly evaluated every month for unit wise identified packages as per prescribed formats. Based on the net weighted scores obtained, Contractors shall be rated 'Good' or 'Satisfactory' or 'Unsatisfactory'
11.2	In case of any dispute on performance rating and the contractor refuses to sign on the performance rating given by BHEL package Incharge, the same shall be reviewed by BHEL site Incharge/Construction Manager and his decision shall be final.
11.3	Release of RA Bills will be contingent upon joint evaluation of performance
11.4	Performance of the contractor will be taken into consideration for assessing the capacity of the bidder to execute future jobs under tender, as detailed in the Notice Inviting Tender. Risk of non evaluation or non availability of the Monthly performance evaluation reports is to be borne by the Bidder.
11.5	In case of 'Unsatisfactory performance' for a continuous period of three or more months for a package or packages, BHEL has the right to get the balance works executed at the risk and cost of the contractor.
11.6	In case of 'Unsatisfactory performance' in a financial year, BHEL reserves the right to put on hold such Contractors for a period of six months for similar package or similar packages

**SPECIAL CONDITIONS OF CONTRACT (SCC)**  
**Chapter-XII: Suspension of Business Dealings**

12.0	<b>Suspension of Business dealings</b>
12.1	BHEL reserves the right to take action against contractors who fail to perform or indulge in malpractices, by suspending business dealings with them.
12.2	Suspension could be in the form of 'Hold', 'De-listing' or 'Banning' a contractor.
12.3	<p>A bidder may be put on HOLD for a period of 6 months, for future tenders for specific works on the basis of one or more of the following reasons:</p> <ul style="list-style-type: none"> <li>a) Bidder does not honour his own offer or any of its conditions within the validity period.</li> <li>b) Bidder fails to respond against three consecutive enquires of BHEL.</li> <li>c) After placement of order, Bidder fails to execute a contract.</li> <li>d) Bidder fails to settle sundry debt account, for which he is legitimately liable, within one year of its occurrence.</li> <li>e) Bidder's performance rating falls below 60% in specific category (more fully described in chapter 'Performance Monitoring')</li> <li>f) Bidder works are under strike/ lockout for a long period.</li> </ul>
12.4	<p>A Bidder may be de-listed from the list of registered Bidders of the region for a period of 1 year on the basis of one or more of the following reasons:-</p> <ul style="list-style-type: none"> <li>a) Bidder tampers with tendering procedure affecting ordering process or commits any misconduct which is contrary to business ethics.</li> <li>b) Bidder has substituted, damaged, failed to return, short returned or unauthorizedly disposed off materials/ documents/ drawings/ tools etc of BHEL.</li> <li>c) Bidder no longer has the technical staff, equipment, financial resources etc. required to execute the orders/ contracts.</li> </ul>
12.5	<p>A Bidder can be banned from doing any business with all Units of BHEL for a period of 3 years on the basis of one or more of the following reasons:</p> <ul style="list-style-type: none"> <li>a) Bidder is found to be responsible for submitting fake/ false/ forged documents, certificates, or information prejudicial to BHEL's interest.</li> <li>b) In spite of warnings, the Bidder persistently violates or circumvents the provisions of labour laws/ regulations/ rules and other statutory requirements.</li> <li>c) Bidder is found to be involved in cartel formation</li> </ul>

**SPECIAL CONDITIONS OF CONTRACT (SCC)**  
**Chapter-XII: Suspension of Business Dealings**

---

	<p>d) The Bidder has indulged in malpractices or misconduct such as bribery, corruption and fraud, pilferage etc which are contrary to business ethics.</p> <p>e) The Bidder is found guilty by any court of law for criminal activity/offences involving moral turpitude in relation to business dealings.</p> <p>f) The Bidder is declared bankrupt, insolvent, has wound up or been dissolved; i.e ceases to exist for all practical purposes.</p> <p>g) Bidder is found to have obtained Official Company information/documentation by questionable means.</p> <p>h) Communication is received from the administrative Ministry of BHEL to ban the Bidder from business dealings.</p>
12.6	Contracts already entered with a contractor before the date of issue of order of 'HOLD' or 'DE-LISTING' shall not be affected.
12.7	All existing contracts with a 'BANNED' contractor shall normally be short closed
12.8	Once the order for suspension is passed, existing offers/new offers of the contractor shall not be entertained
12.9	The above guidelines are not exhaustive but enunciate broad principles governing action against contractors



भारत हेवी इलेक्ट्रिकल्स लिमिटेड

(भारत सरकार का उपक्रम)

**BHARAT HEAVY ELECTRICALS LIMITED**

(A Govt. of India Undertaking)

# HEALTH, SAFETY AND ENVIRONMENT PLAN FOR SUB- CONTRACTORS FOR 2X660MW MAITREE SUPER THERMAL POWER PROJECT

DOCUMENT NO; HSEP:14-MAITREE: VENDOR DATE:05.05.16

**Pradip  
Ghosh**

Digitally signed by  
Pradip Ghosh  
DN: cn=Pradip Ghosh,  
o=BHEL, ou=HSE-PSER,  
email=pradipg@bhels  
er.co.in, c=IN  
Date: 2017.05.06  
13:31:44 +05'30'

**HSE DEPARTMENT**

**Plot No. 9/1, Block-DJ, Sector-II, Salt Lake, Kolkata – 700 091**

Phone no. 033-23398049, Web : [www.jantermanter.com](http://www.jantermanter.com)



**HEALTH, SAFETY AND ENVIRONMENT  
PLAN FOR SITE SUB-CONTRACTORS  
(MAITREE PROJECT)**

Doc no.: HSEP: 14-MAITREE:VENDOR

REV: 00

Date: 05.05.16

Page: 1 of 90

POWER SECTOR-EASTERN REGION

**SPECIAL NOTES**

- ❖ **This document supersedes section-IX of SCC or any such HSE related document in the tender**
  
- ❖ This document is a living document and subject to changes as many times as desired by BHEL and customer, BIFCL and project consultant Fichtner GmbH. Any cost implication shall be absorbed by the contractor.
- ❖ This project is a highly eco-sensitive project. There will be regular assessment of impact of the site activities on ecology. The contractors shall be obligated to take corrective actions, if any, as advised by BHEL/ Customer/ any Statutory body.
- ❖ The contractor shall ensure that only persons with required competence and sound health are engaged at the site. No deviation shall be allowed. The person and the contractor shall be in possession of relevant documents in support of competence and health condition for producing before BHEL for verification, whenever demanded.
- ❖ It may take minimum 2 days for finishing health check-up and induction training before a gate-pass/ ID is issued. In a day, maximum 30 persons can be given induction training. Mobilization shall be planned accordingly
- ❖ Method statement and Job Safety Analysis shall be carried out for all hazardous jobs and critical lifts
- ❖ As the site is located in an area which is prone to adverse weather condition, the contractors shall have infrastructure for fast evacuation of people
- ❖ Contractor for Boiler-1, Chimney-1 and Cooling Tower-1 shall provide one double-mounted siren at a height covering a dia of about 2KM for alerting site workers in case of emergency.
- ❖ The following basic instruments shall be available with contractors HSE team if their job involves:
  - Height work: Binoculars
  - Confined space work: Oxy-meter
  - Night work: Lux meter, Torch light
  - Checking of ELCBs: ELCB tester
  - Checking of earthing: Megger

Apart from these, DB meter, Alcohol Breath analyzer, and other HSE promotional items shall be made available by the contractors as and when demanded by BHEL.

- ❖ Well-equipped sick room shall be set up and ambulance shall be made available by specific contractors as provided for in the work order of certain packages. However, the operational expenses can be shared by those contractors who will avail services of these facilities.



**HEALTH, SAFETY AND ENVIRONMENT  
PLAN FOR SITE SUB-CONTRACTORS  
(MAITREE PROJECT)**

Doc no.: HSEP: 14-MAITREE:VENDOR

REV: 00

Date: 05.05.16

Page: 2 of 90

POWER SECTOR-EASTERN REGION

INDEX

Sr. No.	Description	Page No.
1.0	PURPOSE	5
2.0	SCOPE	5
3.0	OBJECTIVES	5
4.0	HEALTH, SAFETY & ENVIRONMENT POLICY	6
5.0	TERMS & DEFINITIONS	7
6.0	HSE ORGANIZATION	8
6.1	QUALIFICATION FOR HSE PERSONNEL	8
6.2	RESPONSIBILITIES	9
7.0	PLANNING BY SUBCONTRACTOR	10
7.1	MOBILISATION OF MACHINERY/EQUIPMENT/TOOLS	11
7.2	MOBILISATION OF MANPOWER BY SUBCONTRACTOR	11
7.3	PROVISION OF PPEs	11
7.4	ARRANGEMENT OF INFRASTRUCTURE	13
8.0	HSE TRAINING & AWARENESS	17
8.1	HSE INDUCTION TRAINING	17
8.2	HSE TOOLBOX TALK	17
8.3	TRAINING ON HEIGHT WORK	18
8.4	HSE TRAINING DURING PROJECT EXECUTION	18



**HEALTH, SAFETY AND ENVIRONMENT  
PLAN FOR SITE SUB-CONTRACTORS  
(MAITREE PROJECT)**

Doc no.: HSEP: 14-MAITREE:VENDOR

REV: 00

Date: 05.05.16

Page: 3 of 90

POWER SECTOR-EASTERN REGION

8.5	HSE PROMOTION-SIGNAGE, POSTERS, COMPETITION, AWARDS ETC	19
9.0	HSE COMMUNICATION	19
9.1	INCIDENT REPORTING, INVESTIGATION & RECORDS	19
9.2	HSE EVENT REPORTING	20
10.0	OPERATIONAL CONTROL	20
10.1	HSE ACTIVITIES	21
10.2	WORK PERMIT SYSTEM	21
10.3	SAFETY DURING WORK EXECUTION	22
10.3.1	POWER SUPPLY & UPKEEP OF INSTALLATION	22
10.3.2	QUALIFIED AND UNQUALIFIED WORKERS	23
11.0	LIFTING OPERATION	24
12.0	FIRE PREVENTION, PROTECTION AND PREPAREDNESS	30
13.0	RADIOGRAPHY	31
14.0	CONFINED SPACE ENTRY	31
15.0	WELDING & GAS CUTTING OPERATIONS	33
16.0	COMPRESSED GAS	34
17.0	WORK AT HEIGHT	35
18.0	SCAFFOLDS	36
18.1	SAFE USE OF LADDERS	39
18.2	PRECAUTIONS AGAINST THE FALL OF MATERIALS & PERSONS AND COLLAPSE OF STRUCTURES	40



**HEALTH, SAFETY AND ENVIRONMENT  
PLAN FOR SITE SUB-CONTRACTORS  
(MAITREE PROJECT)**

Doc no.: HSEP: 14-MAITREE:VENDOR

REV: 00

Date: 05.05.16

Page: 4 of 90

POWER SECTOR-EASTERN REGION

18.3	SAFETY NETS	41
19.0	SAFETY IN JETTY CONSTRUCTIONS	42
20.0	NIGHT SHIFT OPERATIONS	43
21.0	CONTROL OF MOVEMENTS AND USE OF HAZARDOUS SUBSTANCES AND CHEMICALS	44
22.0	CHEMICAL CLEANING	44
23.0	USE OF HAND TOOLS AND POWER OPERATED TOOLS	45
24.0	START-UP, COMMISSIONING AND TESTING	47
25.0	DEMOLITION WORK	47
26.0	EXCAVATION	48
27.0	ENVIRONMENTAL CONTROL	48
28.0	HOUSEKEEPING	49
29.0	WASTE MANAGEMENT	50
30.0	WORK VEHICLES	52
31.0	EMERGENCY PREPAREDNESS AND RESPONSE	52
32.0	HSE INSPECTION	63
33.0	HSE PERFORMANCE AND HSE PENALTIES	65
34.0	OTHER REQUIREMENTS	68
35.0	HSE AUDIT/INSPECTION	69
36.0	MONTHLY HSE REVIEW MEETING	69
37.0	FORMATS USED	69



**HEALTH, SAFETY AND ENVIRONMENT  
PLAN FOR SITE SUB-CONTRACTORS  
(MAITREE PROJECT)**

Doc no.: HSEP: 14-MAITREE:VENDOR

REV: 00

Date: 05.05.16

Page: 5 of 90

POWER SECTOR-EASTERN REGION

## 1.0 PURPOSE

- 1.1 The purpose of this HSE Plan is to provide for the systematic identification, evaluation, prevention and control of general workplace hazards, specific job hazards, potential hazards and environmental impacts that may arise from foreseeable conditions during installation and servicing of industrial projects and power plants.
- 1.2 This document shall be followed by BHEL's subcontractors at all installation and servicing sites. In case customer specific documents are to be implemented, this document will be followed in conjunction with customer specific documents.
- 1.3 Although every effort has been made to make the procedures and guidelines in line with statutory requirements, in case of any discrepancy relevant statutory guidelines or EHSS contract requirements must be followed of which the most stringent shall apply
- 1.4 In case the customer has any specific requirement, the same is to be fulfilled.
- 1.5 We will promote and maintain a safe, healthy and environmentally compliant workplace for all employees, contractors, visitors and any others that may be affected by construction activities, and strive for a "GOAL of ZERO REPORTABLE INCIDENTS" on the project.

## 2.0 SCOPE

The document is applicable for installation and commissioning of 2x660MW SETS as per the relevant contractual obligations, and provides the minimum HSE requirements to be followed at the project site and labour colony. As an item of note, this HSE Plan is considered a living document and will be revised as/if necessary to ensure that contractual and regulatory compliance requirements are met during the performance of work on the project

## 3.0 OBJECTIVES

The HSE Plan reflects that BHEL places high priority upon the Occupational Health, Safety and Environment at workplaces.

- Ensure the Health and Safety of all persons at work site is not adversely affected by the work.
- Ensure protection of environment of the work site.
- Comply at all times with the relevant statutory and contractual HSE requirements.
- Provide trained, experienced and competent personnel. Ensure medically fit personnel only are engaged at work.
- Provide and maintain plant, places and systems of work that are safe and without risk to health and the environment.
- Provide all personnel with adequate information, instruction, training and supervision.
- Effectively control, co-ordinate and monitor the activities of all personnel on the Project sites including subcontractors in respects of HSE.
- Establish effective communication on HSE matters with all relevant parties involved in the Project works.
- Ensure that all work planning takes into account all persons that may be affected by the work.
- Ensure fitness testing of all T&Ps/Lifting appliances like cranes, chain pulley blocks etc. are to be certified by competent authority.
- Ensure timely provision of resources to facilitate effective implementation of HSE requirements.
- Ensure continual improvements in HSE performance
- Ensure conservation of resources and reduction of wastage.



**HEALTH, SAFETY AND ENVIRONMENT  
PLAN FOR SITE SUB-CONTRACTORS  
(MAITREE PROJECT)**

Doc no.: HSEP: 14-MAITREE:VENDOR

REV: 00

POWER SECTOR-EASTERN REGION

Date: 05.05.16

Page: 6 of 90

- Capture the data of all incidents including near misses, process deviation etc. Investigate and analyze the same to find out the root cause.
- Ensure timely implementation of correction, corrective action and preventive action.

3.1 Goals and Targets -

- To achieve "Zero Fatal Incident at Site"
- 100% compliance of all legal/statutory requirements related to EHS.
- 100% Health, Safety and Environmental Induction training attendance for all employees and sub-contractors.
- 100% High Risk activities to be carried out only after approved Method Statement, HIRA/JSA and Permit to Work are implemented.
- 100% PPEs compliance in high & medium risk activities.
- 100% incident reporting, recording and reviewing for corrective & preventive actions.
- A monthly review shall be scheduled and conducted to assess HSE program compliance and to close any recognized gaps to improve safety management and incident prevention.

4.0 BHEL POWER SECTOR HEALTH, SAFETY & ENVIRONMENT POLICY

**Power Sector HSE Policy**

We, at BHEL Power Sector, reaffirm our belief that the Health and Safety of our stakeholders and conservation of Environment is of utmost importance and takes precedence in all our business decisions. In pursuit of this belief and commitment, we strive to:

- ✓ Ensure total compliance with applicable legislation, regulations and other requirements concerning Occupational Health, Safety and Environment.
- ✓ Ensure continual improvement in the Occupational Health, Safety and Environment Management System performance.
- ✓ Enhance Occupational Health, Safety and Environment awareness amongst employees, customers and suppliers by proactive communication and training.
- ✓ Review periodically and improve Occupational Health, Safety and Environment Management System to ensure its continuing suitability, adequacy and effectiveness in a continuously changing business environment.
- ✓ Develop a culture of safety through active leadership and provide appropriate training at all levels to enable employees to fulfill their Health, Safety and Environmental obligations.
- ✓ Incorporate appropriate Occupational Health, Safety and Environmental criteria into business decisions for selection of plant, technology and services as well as appointment of key personnel.
- ✓ Ensure availability at all times of appropriate resources to fully implement the Occupational Health, Safety and Environmental policy of the company.

This policy will be communicated to all employees and made available to interested parties.

Sd/-

Director (Power)



**HEALTH, SAFETY AND ENVIRONMENT  
PLAN FOR SITE SUB-CONTRACTORS  
(MAITREE PROJECT)**

Doc no.: HSEP: 14-MAITREE:VENDOR

REV: 00

POWER SECTOR-EASTERN REGION

Date: 05.05.16

Page: 7 of 90

## 5.0 TERMS AND DEFINITIONS

### 5.1 DEFINITIONS

#### 5.1.1 INCIDENT

Work- related event(s) in which an injury or ill health (regardless of severity) or fatality occurred, or could have occurred.

#### 5.1.2 NEAR MISS

An incident where no ill health, injury, damage or other loss occurs, but it had a potential to cause, is referred to as "Near-Miss".

#### 5.1.3 MAN-HOUR WORKED

The total number of employee hours worked by all employees including subcontractors working in the premises. It includes managerial, supervisory, professional, technical, clerical and other workers including contract labours. Man-hours worked shall be calculated from the payroll or time clock recorded including overtime. When this is not feasible, the same shall be estimated by multiplying the total man-days worked for the period covered by the number of hours worked per day. The total number of workday for a period is the sum of the number of men at work on each day of period. If the daily hours vary from department to department separate estimate shall be made for each department and the result added together.

#### 5.1.4 FIRST AID CASES

First Aid includes:

- Visit to a physician or a licensed health care professional solely for observation or counselling
- Conduct of diagnostic procedures like X rays, blood test including the prescription medications used solely for diagnostic purposes (e.g. eye drops to dilate eyes)
- Using a non-prescription medicine at non-prescription strength (for medication available in both prescription and non-prescription form as recommendation by a physician or other licensed health care professional to use a non-prescription medication at prescription strength is considered medical treatment for record keeping purposes);
- Administering tetanus immunizations (other immunizations, such as Hepatitis B vaccine or rabies vaccine, are considered medical treatment);
- Cleaning, flushing or soaking wounds on the surface of the skin;
- Using wound coverings such as bandages, Band-Aids TM, gauze pads, etc.; or using butterfly bandages or Steri-StripsTM (other wound closing devices such as sutures, staples, etc., are considered medical treatment);
- Using hot or cold therapy;
- Using any non-rigid means of support, such as elastic bandages, wraps, non-rigid back belts, etc. (devices with rigid stays or other systems designed to immobilize parts of the body are considered medical treatment for record-keeping purposes);
- Using temporary immobilization devices while transporting an accident victim (e.g., splints, slings, neck collars, back boards, etc.).
- Drilling of a fingernail or toenail to relieve pressure, or draining fluid from a blister;
- Using eye patches;
- Removing foreign bodies from the eye using only irrigation or a cotton swab;
- Removing splinters or foreign material from areas other than the eye by irrigation, tweezers, cotton swabs or other simple means;
- Using finger guards;



**HEALTH, SAFETY AND ENVIRONMENT  
PLAN FOR SITE SUB-CONTRACTORS  
(MAITREE PROJECT)**

Doc no.: HSEP: 14-MAITREE:VENDOR

REV: 00

POWER SECTOR-EASTERN REGION

Date: 05.05.16

Page: 8 of 90

- Using massages (physical therapy or chiropractic treatment are considered medical treatment for recordkeeping purposes); or
- Drinking fluids for relief of heat stress.

No other treatments are considered first aid.

**5.1.5 INJURY OTHER THAN FIRST-AID: ( As per Chapter VII, Rule 69 of Bangladesh Labour Rules, 2015)**

**Notice to be given of any accident.** □ When any accident occurs in an establishment causing loss of life or bodily injury, or an accidental explosion, ignition, outbreak of fire or irruption of water or fumes occurs, the employer shall give notice of the occurrence to the Inspector within following 3 (three) working days [:]

Provided that the factory authority shall, immediately after the occurrence of such incident, inform the matter to the Government, Fire Service, Directorate of Inspection of Factories and Establishments, Police Station, and if required, the nearby hospital or government-private medical service establishment, through telephone, mobile phone, SMS or fax, in order to take immediate necessary action to minimize potential damages or bring the situation under control.]

**Fatal incident and Serious Incident:**

If the victim dies in the incident, it will be treated as a fatal incident.

In this case the injured person is likely to be disable for more than 20 days to perform his duty, it will be treated as Serious Incident. In these cases, the intimation will be made as described above.

**Minor Incident: (As per Chapter VII , Rule 70 of Bangladesh Labour Rules, 2015)**

Where an accident mentioned above causes bodily injury resulting the compulsory absence from work of the person injured for a period exceeding 48 (forty-eight) hours, but not exceeding 20days. The management will inform the concerned statutory authority within 7 days in form-27 under rule 69/1/(A), (B) and (C) of Bangladesh Labour Rules, 2015.

**6.0 HSE ORGANISATION**

**Number of HSE officers:**

The subcontractor must deploy one HSE officer for every 500 workers or part thereof in each package. If there are more than one HSE officer, one shall be designated as head/HSE. No Of HSE stewards shall be one for every 100 workers deployed

**Deployment:** The subcontractor should deploy sufficient HSE officers and HSE-steward/supervisor, as per requirement given above, since initial stage and add more in proportion to the added strength in work force. Any delay in deployment of HSE Officer will attract a penalty of BNR.40,000/- per man month for the delayed period.

**6.1 QUALIFICATION FOR HSE PERSONNEL**

Sl.no	Designation	Minimum Qualification	Experience
1	Safety officer (Construction Agency)	Degree or Diploma in Engineering with diploma in Industrial Safety with construction safety as one of the subjects. If Degree/Diploma in safety is from India, it must be recognized by AICTE/SCTE&VT. NEBOSH IGC /IOSH diploma also acceptable	Minimum two years for degree holder and five years for diploma holder in the field of Construction of power plant/ major industries



**HEALTH, SAFETY AND ENVIRONMENT  
PLAN FOR SITE SUB-CONTRACTORS  
(MAITREE PROJECT)**

Doc no.: HSEP: 14-MAITREE:VENDOR

REV: 00

Date: 05.05.16

Page: 9 of 90

POWER SECTOR-EASTERN REGION

## 6.2 RESPONSIBILITIES

### 6.2.1 SITE IN -CHARGE OF SUBCONTRACTOR

- Shall engage qualified safety officer(s) as per clause 6.1
- Shall adhere to the rules and regulations mentioned in this code, practice very strictly in his area of work in consultation with his concerned engineer and the safety coordinator.
- Shall screen all workmen for health and competence requirement before engaging for the job and periodically thereafter as required.
- Shall not engage any employee below 18 years.
- Shall arrange for all necessary PPEs like safety helmets, belts, full body harness, shoes, face shield, hand gloves etc. before starting the job. Shall ensure that no working men/women carry excessive weight more than stipulated in Factory Rule Regulation R57.
- Shall ensure that all T&Ps engaged are tested for fitness and have valid certificates from competent authorities.
- Shall ensure that provisions stipulated in contract Labour Regulation Act 1970, Chapter V C.9, canteen, rest rooms/washing facilities to contracted employees at site.
- Shall adhere to the instructions laid down in Operation Control Procedures (OCPs) available with the site management.
- Shall ensure that person working above 2.0 meter should use Safety Harness tied to a life line/stable structure.
- Shall ensure that materials are not thrown from height. Cautions to be exercised to prevent fall of material from height.
- Shall report all incidents (Fatal/Major/Minor/Near Miss) to the Site engineer /HSE officer of BHEL.
- Shall ensure that Horseplay is strictly forbidden.
- Shall ensure that adequate illumination is arranged during night work.
- Shall ensure that all personnel working under subcontractor are working safely and do not create any Hazard to self and to others.
- Shall ensure display of adequate signage/posters on HSE.
- Shall ensure that mobile phone is not used by workers while working.
- Shall ensure conductance of HSE audit, mock drill, medical camps, induction training and training on HSE at site.
- Shall ensure full co-operation during HQ/External /Customer HSE audits.
- Shall ensure submission of look-ahead plan for procurement of HSE equipment's and PPEs as per work schedule.
- Shall ensure good housekeeping.
- Shall ensure adequate valid fire extinguishers are provided at the work site.
- Shall ensure availability of sufficient number of toilets /restrooms and adequate drinking water at work site and labour colony.
- Shall ensure adequate emergency preparedness.
- Shall be member of site HSE committee and attend all meetings of the committee



**HEALTH, SAFETY AND ENVIRONMENT  
PLAN FOR SITE SUB-CONTRACTORS  
(MAITREE PROJECT)**

Doc no.: HSEP: 14-MAITREE:VENDOR

REV: 00

Date: 05.05.16

Page: 10 of 90

POWER SECTOR-EASTERN REGION

## 6.2.2 HEALTH, SAFETY AND ENVIRONMENT OFFICER OF SUBCONTRACTOR

- Carry out safety inspection of Work Area, Work Method, Men, Machine & Material, P&M and other tools and tackles.
- Facilitate inclusion of safety elements into Work Method Statement.
- Highlight the requirements of safety through Tool-box / other meetings.
- Help concerned HOS to prepare Job Specific instructions for critical jobs.
- Conduct investigation of all incident/dangerous occurrences & recommend appropriate safety measures.
- Advice & co-ordinate for implementation of HSE permit systems, OCPs & MPs.
- Convene HSE meeting & minute the proceeding for circulation & follow-up action.
- Plan procurement of PPE & Safety devices and inspect their healthiness.
- Report to PS Region/HQ on all matters pertaining to status of safety and promotional program at site level.
- Facilitate administration of First Aid
- Facilitate screening of workmen and safety induction.
- Conduct fire Drill and facilitate emergency preparedness
- Design campaigns, competitions & other special emphasis programs to promote safety in the workplace.
- Apprise PS- Region on safety related problems.
- Notify site personnel non-conformance to safety norms observed during site visits / site inspections.
- Recommend to Site In charge, immediate discontinuance of work until rectification, of such situations warranting immediate action in view of imminent danger to life or property or environment.
- To decline acceptance of such PPE / safety equipment that do not conform to specified requirements.
- Encourage raising Near Miss Report on safety along with, improvement initiatives on safety.
- Shall work as interface between various agencies such customer, package-in-charges, subcontractors on HSE matters

## 7.0 PLANNING BY SUBCONTRACTOR

### 7.1 MOBILISATION OF MACHINERY/EQUIPMENT/TOOLS BY SUBCONTRACTOR

- As a measure to ensure that machinery, equipment and tools being mobilized to the construction site are fit for purpose and are maintained in safe operating condition and complies with legislative and owner requirement. A documented daily prior to use inspection checklist shall be completed by the end user and periodic inspection shall be arranged by in-house competent authority for acceptance as applicable. All Tools & Plants shall be certified by a third party COMPETENT person before these are put to use [as per Rule 60, 75 and schedule 3 of Bangladesh Labor Rules](#). As far as possible, this certification shall be made available to site HSE function by the contractor before entry into the site. The certification shall be renewed annually, otherwise, the item shall be withdrawn from the work area. [The fitness of T&Ps shall be monitored by site HSE quarterly and alert/ reminder issued to the concerned agency and BHEL package in-charge.](#)
- The machinery and equipment to be embraced for this purpose shall include but not limited to the following:
  - Mobile cranes.



**HEALTH, SAFETY AND ENVIRONMENT  
PLAN FOR SITE SUB-CONTRACTORS  
(MAITREE PROJECT)**

Doc no.: HSEP: 14-MAITREE:VENDOR

REV: 00

POWER SECTOR-EASTERN REGION

Date: 05.05.16

Page: 11 of 90

- Side Booms.
  - Grinding machine.
  - Drilling machine.
  - Air compressors.
  - Welding machine.
  - Generator sets.
  - Dump Trucks.
  - Excavators.
  - Dozers
  - Grit Blasting Equipment.
  - Hand and power tools.
- Subcontractor shall notify the engineer, of his intention to bring on to site any equipment or any container, with liquid or gaseous fuel or other substance which may create a hazard. The Engineer shall have the right to prescribe the condition under which such equipment or container may be handled and used during the performance of the works and the subcontractor shall strictly adhere to such instructions. The Engineer shall have the right to inspect any construction tool and to forbid its use, if in his opinion it is unsafe. No claim due to such prohibition will be entertained.

## 7.2 MOBILISATION OF MANPOWER BY SUBCONTRACTOR

- As a measure to ensure that manpower being mobilized to the construction site is fit and competent for safe working, screening arrangement shall be made by the sub-contractors to fulfill contractual as well as legislative requirement.
- Examination of medical fitness shall be conducted through qualified medical professional for all workers to be deployed (pre-employment). Post-employment medical check-up shall be done for persons engaged in hazardous jobs at a regular interval as per legislations.
- Ensure that the regulatory requirements of excessive weight limit (to carry/lift/ move weights beyond prescribed limits) for male and female workers are complied with.
- Appropriate accommodation to be arranged for all workmen in hygienic condition.

## 7.3 PROVISION OF PPEs

- Personnel Protective Equipment (PPEs), in adequate numbers, will be made available at site & their regular use by all concerned will be ensured. PPE details shall be maintained as per Form-23
- The following matrix recommends usage of minimum PPEs against the respective job.

Sl. No	Type of work	PPEs
1	Concrete and asphalt mixing	Nose mask, hand glove, apron and gum boot
2	Welders/Grinders/ Gas cutters	Welding/face screen, apron, hand gloves, nose mask and ear muffs if noise level exceeds 90dB. Helmet fitted with welding shield is preferred for welders
3	Stone/ concrete breakers	Ear muffs, safety goggles, hand gloves
4	Electrical Work	Rubber hand glove, Electrical Resistance shoes, Apron
5	Insulation Work	Respiratory mask, Hand gloves, safety goggles
6	Work at height	Double lanyard full body harness, Fall arrestor (specific cases)
7	Grit/Sand blasting	Blast suit, blast helmet, respirator, leather gloves



**HEALTH, SAFETY AND ENVIRONMENT  
PLAN FOR SITE SUB-CONTRACTORS  
(MAITREE PROJECT)**

Doc no.: HSEP: 14-MAITREE:VENDOR

REV: 00

POWER SECTOR-EASTERN REGION

Date: 05.05.16

Page: 12 of 90

8	Painting	Plastic gloves, Respirators (particularly for spray painting)
9	Radiography	As per BARC guidelines

The PPEs and other related safety equipments shall conform to the relevant indian or equivalent European or American standards as below:

BS EN 397:2012	Industrial Safety Helmets.
BS EN 60903:2003	Insulating material gloves for electrical purposes.
BS EN 374-3: 2003	Protective Gloves- Chemical Penetration
BS EN 388:2003	Protective Gloves- Mechanical Risks
BS EN 407: 2004	Protective Gloves- heat and fire
BS EN 420:2003	Gloves- general requirement
BS EN-20345	Industrial safety footwear
BS EN 166:2002	Eye protectors.
BS EN 352-1 & 2:2002	Ear Muff & Ear Plug
BS EN 175:1997	Eye & Face protection during welding
BS EN 361:2002	Fall Arrest Full Body Harness
BS EN 360:2002	Retractable type fall arresters
BS EN 795:2012	Lifeline System
BS EN 358;1999	Work Resistant Harness
BS EN 813:2008	Seat harness
BS EN 1498+ others	Rescue Harness+ other items of a rescue kit
BS EN 353:2002	Detachable fall arrester
BS EN 149: 2001	Filtering Half masks tp protect against particles
BS EN 471:2003	High Visibility Clothing

The list is not exhaustive. The safety officer may demand additional PPEs based on specific requirement.

- Where workers are employed in sewers and manholes, which are in use, the subcontractor shall ensure that the manhole covers are opened and ventilated at least for an hour before the workers are allowed to get into manhole, and the manholes so opened shall be cordoned off with suitable railing and provided with warning signals or boards to prevent incident to the public
- . The visitors shall also use Reflective Vests, Helmet and any other PPEs as deemed appropriate for the area of work.

Colour scheme for Helmets:

1. Workmen: Yellow
2. Safety staff: Green or white with green band
3. Electrician: Red
4. Others including visitors: White



**HEALTH, SAFETY AND ENVIRONMENT  
PLAN FOR SITE SUB-CONTRACTORS  
(MAITREE PROJECT)**

Doc no.: HSEP: 14-MAITREE:VENDOR

REV: 00

Date: 05.05.16

Page: 13 of 90

POWER SECTOR-EASTERN REGION

- All the PPEs shall be checked for its quality before issue and the same shall be periodically checked. The users shall be advised to check the PPEs themselves for any defect before putting on. The defective ones shall be repaired/ replaced.
- The issuing agency shall maintain register for issue and receipt of PPEs.
- The Helmets shall have logo or name (abbreviation of agency name permitted) affixed or printed on the front.
- The body harnesses shall be serial numbered.  
In case, contractor fails to provide PPEs in time, BHEL/Customer may provide the same and the cost as deemed appropriate by BHEL/Customer shall be debited

#### 7.4 ARRANGEMENT OF INFRASTRUCTURE

##### 7.4.1 DRINKING WATER

- Adequate drinking water shall be provided and maintained at suitable places at different elevations.
- Chilled water shall be made available from 1<sup>st</sup> April to 30<sup>th</sup> Sep of the year
- Container should be labeled as “ Drinking Water”
- Cleaning of the storage tank shall be ensured at least once in 1 month indicating date of cleaning and next due date. Mild cleaning detergents as used for cleaning vessels shall be applied and scrubbers (3M or equivalent) shall be used for removing scales and deposits on the inside surface. The tank shall be thoroughly cleaned with potable water only before it is refilled.
- Employees should use their own cup for collecting water-no cup shall be shared
- Potability of water should be tested as per standard at least once in every quarter as per Rule 50(5) of Bangladesh Labour Rules, 2015.
- Apart from above, those who are engaged in work producing significant heat , shall be served saline water or Sarbat at the rate of 2litres perday
- Storage of drinking water shall be min 6M away from any toilet and washroom

##### 7.4.2 WASHING FACILITIES (As per Chapter VIII, Rule 86 of Bangladesh Labour Rules, 2015)

- In every workplace, adequate and suitable facilities for washing shall be provided and maintained.
- Separate and adequate cleaning facilities shall be provided for the use of male and female workers. Such facilities shall be conveniently accessible and shall be kept in clean and hygienic condition and dully illuminated for night use.
- Overalls shall be supplied by the subcontractor to the workmen and adequate facilities shall be provided to enable the painters and other workers to wash during the cessation of work.
- If water used for washing is not potable, it shall be marked “Do Not Drink” in English and Bangla

##### 7.4.3 LATRINES AND URINALS ( As per Chapter V, Rule 51, Schedule II of Bangladesh Labour Rules, 2015)

- Latrines and urinals shall be provided in every work place based on strength of workmen at the rate of one toilet seat and one urinal for every 50 female workmen and that for every 60 male workmen
- Urinals shall also be provided at different elevations.
- They shall be adequately illuminated and shall be maintained in a clean and hygienic condition at all times, by appointing designated person.
- Separate facilities shall be provided for the use of male and female worker if any.
- Hand-wash facility shall be provided



**HEALTH, SAFETY AND ENVIRONMENT  
PLAN FOR SITE SUB-CONTRACTORS  
(MAITREE PROJECT)**

Doc no.: HSEP: 14-MAITREE:VENDOR

REV: 00

POWER SECTOR-EASTERN REGION

Date: 05.05.16

Page: 14 of 90

#### 7.4.4 PROVISION OF SHELTER DURING REST

Proper Shed & Shelter shall be provided for rest during break::

#### 7.4.5 MEDICAL FACILITIES (Sharing with other sub-contractors at site is permitted)

##### 7.4.5.1 Sick Room (As per rule 77) (As stipulated in the contract)

- A Sick room shall be ensured/identified at site with basic facilities as per subrule 77(5) for handling medical emergencies. The sick room can be run independently or jointly developed on proportionate sharing basis with permission from BHEL. It shall be equipped with one rigid stretcher, one foldable stretcher, one rescue basket stretcher, a wheel chair, at least 2 beds with separator and all basic facilities that a doctor needs for basic health check-up and quick referral including those listed in sub-rule 77(5) of Bangladesh Labour Rules,2015
- A qualified medical professional, not less than a Degree in Medical Science (Allopathy) as recognized in Bangladesh , shall be deployed at the sick room along with sufficient support staff
- Medical waste shall be disposed as per prevailing legislation
- Ambulance, **as stipulated in the contract**, shall be made available at the site along with a trained driver and shall be equipped with at least an Oxygen cylinder along with dispensation system, first-aid box, a portable ABC type fire extinguisher.

##### 7.4.5.2 FIRST AIDER

- Must have a competence certificate in First-aid issued by Bangladesh Red Cross Society/ Bangladesh St Johns Ambulance/ any other agency which is recognised by the Govt of Bangladesh
- Ensure availability of **one** Qualified First-aider throughout the working hours for every 150 workmen engaged as per clause 89 of Bangladesh Labour Law
- Every injury shall be treated, recorded and reported.
- Refresher course on first aid shall be conducted as necessary.
- List of Qualified first aiders and their contact numbers should be displayed at conspicuous places.

##### 7.4.5.3 FIRST AID BOX (as per rule 76(2) of Bangladesh Labour Rules.2015))

- The subcontractor shall provide necessary first aid facilities. At every work place first aid facilities shall be provided and maintained.
- The first aid box shall be kept by first aider who shall always be readily available during the working hours of the work place. His name and contact no to be displayed on the box.
- The first aid boxes should be placed at various elevations so as to make them available within the reach and at the quickest possible time.
- The first aid box shall be distinctly marked with a Green Cross on white background.
- Details of contents of first aid box is given in Annexure No. 01
- Monthly inspection of First Aid Box shall be carried out by the owner as per format no. HSEP:14-F01
- The subcontractor should conduct periodical first –aid classes to keep his supervisor and Engineers properly trained for attending to any emergency.



**HEALTH, SAFETY AND ENVIRONMENT  
PLAN FOR SITE SUB-CONTRACTORS  
(MAITREE PROJECT)**

Doc no.: HSEP: 14-MAITREE:VENDOR

REV: 00

Date: 05.05.16

Page: 15 of 90

POWER SECTOR-EASTERN REGION

#### 7.4.5.4 HEALTH CHECK UP

The persons engaged at the site shall undergo mandatory health checkup from a qualified doctor as per the **format no. HSEP:13-F03 and Health Record 31-A** before induction. The persons engaged in the following works shall undergo health checkup at least once in a year:

- a. Height workers
- b. Drivers/crane operators/riggers
- c. Confined space workers
- d. Shot/sand blaster
- e. Welding and Gas cutting personnel

#### 7.4.6 PROVISION OF CANTEEN FACILITY

- Canteen facilities shall be provided for the workmen of the project inside the project site.
- Proper cleaning and hygienic condition shall be maintained.
- Proper care should be taken to prevent biological contamination.
- Adequate drinking water should be available at canteen.
- Fire extinguisher shall be provided inside canteen.
- Regular health check-up and medication to the canteen workers shall be ensured.

#### 7.4.7 PROVISION OF ACCOMODATION/LABOUR COLONY

- The subcontractor shall arrange for the accommodation of workmen at nearby houses or by making a labour colony.
- Regular housekeeping of the labour colony shall be ensured.
- Proper sanitation and hygienic conditions shall be maintained and inspected once in a month.
- Adequate number of toilet facilities with water for workers as per norms to be provided. There must be separate toilet for women workers. Drinking water and electricity to be provided at the labour colony.
- Potable water shall be tested once in six months as per IS10500.
- MSDS of LPG shall be put up prominently. This shall be included in the induction training as well.
- The labour colony shall be appropriately secure so that only authorized persons have access to it.
- First aid facility shall be provided in the labour camp under the administration of trained first aiders.
- Common kitchen facilities to be ensured and cooking inside the room to be avoided. The canteen should be maintained in hygienic condition.
- No. of occupants in room rooms to be as per the standards practice.
- Awareness training shall be organized for the workers regarding fire safety, safe use of LPG, Health & Hygiene, and electrical safety etc. on monthly basis.
- Adequate drainage and approach roads to be done.
- Perimeter fencing, security and main gate entrance shall be established and maintained.
- Monthly inspection to be done to ensure the compliance and for opportunity of improvement.
- Workers shall not be transported in open vehicles i.e. trailers, truck beds etc within project boundaries which includes the labor colony.

#### 7.4.8 PROVISION OF EMERGENCY VEHICLE (in addition to Ambulance)

Generally one vehicle (4 wheeler) is identified by each major package holder (sub-agency). Minor package holders are permitted to have a tie-up with major package holder



**HEALTH, SAFETY AND ENVIRONMENT  
PLAN FOR SITE SUB-CONTRACTORS  
(MAITREE PROJECT)**

Doc no.: HSEP: 14-MAITREE:VENDOR

REV: 00

POWER SECTOR-EASTERN REGION

Date: 05.05.16

Page: 16 of 90

**7.4.9 PEST CONTROL**

Regular pest control should be carried out at all offices, mainly laboratories, canteen, labour colony and stores

**7.4.10 GENERAL DISCIPLINE:**

Workmen under influence of liquor or drug or any other intoxication shall not be permitted to work and sent out of the work area. Workmen shall not be permitted to smoke in work area. None shall be permitted to carry any arms or firearms. The workmen shall report to work on time and follow supervisor's instruction. Use of cell phone particularly in hazardous jobs shall be discouraged like height work, crane operation etc. Horseplay, willful violation of rules shall be dealt with suitable disciplinary action including suspension and termination. They shall be subjected to physical frisking or alcohol/drug test at random by security and security shall be authorized to take appropriate disciplinary action against any delinquent employee like throwing out of the gate for the day and so on. If any such employee returns to work, he shall be put through induction training once again.

**7.4.11 SCRAPYARD**

- In consultation with customer, scrap yard shall be developed to store metal scrap, wooden scrap, waste, hazardous waste.
- Scrap/Waste shall be segregated as Bio-degradable and non-bio-degradable and stored separately.

**7.4.12 ILLUMINATION (to be reviewed)**

- Adequate and suitable light shall be provided at all work places & their approaches including passage ways as per IS: 3646 (Part-II) or as per Bangladesh standard. Some recommended values are given below:

S. No.	Location	Illumination (Lux)
<b>A. Construction Area</b>		
1.	Outdoor areas like store yards, entrance and exit roads	20
2.	Platforms	50
3.	Entrances, corridors and stairs	100
4.	General illumination of work area	150
5.	Rough work like fabrication, assembly of major items	150
6.	Medium work like assembly of small machined parts rough measurements etc.	300
7.	Fine work like precision assembly, precision measurements etc.	700
8.	Sheet metal works	200
9.	Electrical and instrument labs	450
<b>B. Office</b>		
1.	Outdoor area like entrance and exit roads	20
2.	Entrance halls	150
3.	Corridors and lift cars	70
4.	Lift landing	150
5.	Stairs	100
6.	Office rooms, conference rooms, library reading tables	300
7.	Drawing table	450
8.	Manual telephone exchange	200



**HEALTH, SAFETY AND ENVIRONMENT  
PLAN FOR SITE SUB-CONTRACTORS  
(MAITREE PROJECT)**

Doc no.: HSEP: 14-MAITREE:VENDOR

REV: 00

Date: 05.05.16

Page: 17 of 90

POWER SECTOR-EASTERN REGION

- Lamp (hand held) shall not be powered by mains supply but either by 24V or dry cells.
- Lamps shall be protected by suitable guards where necessary to prevent danger, in case of breakage of lamp.
- Emergency lighting provision for night work shall be made to minimise danger in case of main supply failure.

If the subcontractor fails to take appropriate safety precautions or to provide necessary safety devices and equipment or to carry out instructions issued by the authorized BHEL official, BHEL shall have the right to take corrective steps at the risk and cost of the subcontractor

**8.0 HSE TRAINING & AWARENESS (Trainer, venue and infrastructure shall be decided by site HSE team headed by BHEL site HSE head). Cost shall be borne by respective contractor alone or on sharing basis on case-to-case basis.**

**8.1 HSE INDUCTION TRAINING**

All persons entering into project site shall be given HSE induction training by the HSE officer of BHEL /subcontractor before being assigned to work.

In-house induction training subjects shall include but not limited to:

- Briefing of the Project details.
- Safety objectives and targets.
- Site HSE rules.
- Site HSE hazards and aspects.
- First aid facility.
- Emergency Contact No.
- Incident reporting.
- Fire prevention and emergency response.
- Rules to be followed in the labour colony (if applicable)
- Proper safety wear & gear must be issued to all the workers being registered for the induction (i.e., Shoes/Helmets/Goggles/Leg guard/Apron etc.)
- They must arrive fully dressed in safety wear & gear to attend the induction.
- Any one failing to conform to this safety wear & gear requirement shall not qualify to attend.
- On completing attending subcontractor's in-house HSE induction, each employee shall sign an induction training form (format no. HSEP:14-F03) to declare that he had understood the content and shall abide to follow and comply with safe work practices. They may only then be qualified to be issued with a personal I.D. card, for access to the work site.

**8.2 HSE TOOLBOX TALK**

- HSE tool Box talk shall be conducted by frontline foreman/supervisor of subcontractor to specific work groups prior to the start of work. The agenda shall consist of the followings:
  - Details of the job being intended for immediate execution.
  - The relevant hazards and risks involved in executing the job and their control and mitigating measures.
  - Specific site condition to be considered while executing the job like high temperature, humidity, unfavorable weather etc.
  - Recent non-compliances observed.
  - Appreciation of good work done by any person.
  - Any doubt clearing session at the end.
- Record of Tool box talk shall be maintained as per format no. HSEP:14-F04



**HEALTH, SAFETY AND ENVIRONMENT  
PLAN FOR SITE SUB-CONTRACTORS  
(MAITREE PROJECT)**

Doc no.: HSEP: 14-MAITREE:VENDOR

REV: 00

POWER SECTOR-EASTERN REGION

Date: 05.05.16

Page: 18 of 90

- Tool box talk to be conducted at least once a week for the specific work.

#### 8.2.1 PRE JOB BRIEFING

- A separate documented daily pre job briefing must be conducted at the actual job/work site location with the supervisor and work crew, to cover working environment/conditions, safe work practices for the activities to be carried out, required PPE and review of the work package, JSA and permit requirements. Each crew member and the supervisor will sign-off on the pre job briefing form, and form will be submitted to the HSE department at the end of each shift

#### 8.3 TRAINING ON HEIGHT WORK

Training on height work (3m and above from ground) shall be imparted to all workers working at height by in-house/external faculty at least twice in a year. Fall protection training must involve as much hands-on activity with the equipment as possible. The training shall include following topics:

- Fall hazards associated with the elevated work.
- Elements of the fall protection systems utilized
- Requirement for 100% tie-off when working at or above 6' or 2m.
- Body Harnesses of at least a five-point configuration shall be used in all fall arrest systems. The harness Deering shall have a minimum tensile strength of 5,000 pounds (22.2 kN).
- Fall protection equipment used. Use of PPEs – Harness proper fit, storage and compulsory tie-off of body harness to a firm support/life-line or anchorage point).
- Anchorage selection used for attachment of personal fall arrest systems shall be capable of supporting at least 5,000 pounds (22.2 kN) per employee attached, determined by a competent person.
- Use of fall arrester (shock absorbing lanyard), retractable fall arrester, life line, safety nets etc.
- Safe climbing through monkey ladders.
- Maintenance and Inspection of PPEs.(Daily/periodical)-color coding
- Medical fitness requirements.
- Mock drill on rescue at height.
- Dos & Don'ts during height work.For the workers & staff passed through the vertigo test, an additional sticker for height pass to be issued. This is applicable for those who are supposed to work or inspecting in BTG area, etc.

#### 8.4 HSE TRAINING DURING PROJECT EXECUTION

- Other HSE training shall be arranged by BHEL/sub-contractor as per the need of the project execution and recommendation of HSE committee of site.
- The topics of the HSE training shall be as follows but not limited to:
  - Hazards identification and risk analysis (HIRA)
  - Work Permit System
  - Incident investigation and reporting
  - Fire fighting
  - First aid
  - T & Ps fitness and operation
  - Electrical safety
  - Welding, NDE & Radiological safety
  - Storage, preservation & material handling.



**HEALTH, SAFETY AND ENVIRONMENT  
PLAN FOR SITE SUB-CONTRACTORS  
(MAITREE PROJECT)**

Doc no.: HSEP: 14-MAITREE:VENDOR

REV: 00

POWER SECTOR-EASTERN REGION

Date: 05.05.16

Page: 19 of 90

- A matrix shall be maintained to keep an up-to-date record of attendance of training sessions carried out.
- Skill labour (like fitter, electrician, rigger, scaffolder, carpenter etc.) will pass through the trade test (written and practical) conducted at site by the respective engineer & EHS officer. A pass sticker of qualified person to be marked on their ID Card/Gate Pass.

8.4.1 HSE Induction for Visitors: No visitors are allowed to visit the construction site without safety induction, mandatory PPEs, and designated escort.

8.4.2 Safety Induction for all (Staff/engineers/sub-Contractors officials/supervisors): It is compulsory to provide safety induction and briefing about the site HSE management systems, requirements and individual's roles & responsibility to carry out the activities in safe manner, before deploying them.

## 8.5 HSE PROMOTION-SIGNAGE, POSTERS, COMPETITION, AWARDS ETC

### 8.5.1 Display of HSE posters and banners

- Site shall arrange appropriate posters, banners, slogans in local/Hindi/English languages at work place

### 8.5.2 Display of HSE signage as per [Safety signages will be as per BS 5378 safety signs & Colors and BS 5499 graphical symbols & signs](#)

- Appropriate HSE signage shall be displayed at the work area to aware workmen and passersby about the work going on and do's and don'ts to be followed

### 8.5.3 Competition on HSE and award

- Site will arrange different competition (slogan, poster, essay etc.) on HSE time to time (Safety day, BHEL day, World Environment Day etc.) and winners will be suitably awarded. Monthly Safety Day shall be celebrated every month preferably on a fixed date or day at the site jointly by all the contractors as a promotional measure on cost sharing basis

## 9.0 HSE COMMUNICATION

### 9.1 INCIDENT INVESTIGATION, REPORTING AND RECORDS:

Every incident including near-misses or injury of any kind and at any level of severity shall be immediately reported by the contractor's workmen in their work area to the safety officer/ HSE coordinator, site engineer or RCM. The site HSE co-ordinator shall be the nodal person for this purpose.

For any reportable injury to any employee or to the contractor's workmen, the safety officer/ HSE-coordinator shall report the incident in incident/ incident report, to CUSTOMER

In the case of serious injury requiring hospitalization or fatality, communication shall be made to customer through telecom immediately with submission of incident report within 24 hrs and detail investigation report may be forwarded in INCIDENT INVESTIGATION REPORT FORMAT within seven days.

Investigations into all reportable incidents shall be conducted using accepted Root Cause Analysis (RCA) methodology cause and effect, 5 why's, etc, to determine the Physical, Human and Latent Root Causes for these type accident/incidents. However, it is recommended to conduct preliminary investigations into all other incidents as a proactive measure.



**HEALTH, SAFETY AND ENVIRONMENT  
PLAN FOR SITE SUB-CONTRACTORS  
(MAITREE PROJECT)**

Doc no.: HSEP: 14-MAITREE:VENDOR

REV: 00

POWER SECTOR-EASTERN REGION

Date: 05.05.16

Page: 20 of 90

Every contractor shall maintain record of incidents / incidents at site, and shall be available for inspection by representatives of statutory agencies / officials visiting site from BHEL/customer The Safety Officer/ HSE coordinator shall maintain these records.

**26.1 Incident Investigation Procedure:**

The purpose of the investigation procedure is to find out root cause of accidents / incidents & not to find out faults, so as to avoid recurrences, in future and share lessons learned.

RCM shall constitute a committee of at-least 2 site engineers within 24 hours of such incidents. The investigation shall aim at finding out the basic unsafe acts / conditions that have caused the incidents. Immediately after all appropriate emergency measures, first aid and damage containment measures have been taken, every effort shall be made by the committee to:

- Preserve physical evidence
- Take photographs
- Take statement from incident victim(s) and eyewitnesses and anyone who may have knowledge of possible cause(s) of incidents

The committee shall also recommend corrective measures to prevent recurrence of similar incidents

**25.2 Initial Incident Response:**

In the event of an accident/incident, the supervisor and employees at the work site must:

- Stop work and make the work area safe (mitigate or remove the exposure to the hazard)
- Provide first aid and activate "Emergency Medical Services" and other emergency services, e.g. fire or police, as required,
- Ensure the injured worker is transported to "Emergency Medical Services" for medical attention if necessary,
- Secure the site to ensure the protection of employees and the public and to aid with the investigation,
- Report the incident immediately to the local Site In-Charge.

**26.3 Incident Investigation Report:**

The investigation committee on completion of the all investigations shall prepare and submit the report to the RCM. The report shall also include corrective measures with assigned responsibility to be taken at site to prevent similar incidents in future. The RCM shall forward the copy of the investigation report to BHEL

**9.2 HSE EVENT REPORTING**

- Important HSE events like HSE training, Medical camp etc. organized at site shall be reported to BHEL site management in detail with photographs for publication in different in-house magazines
- Celebration of important days like National Safety Day, World Environment Day etc. shall also be reported as mentioned above.

**10.0 OPERATIONAL CONTROL**

All applicable OCPs (Operational control procedures) will be followed by subcontractor as per BHEL instructions. This will be done as part of normal scope of work. List of such OCPs is given below. In case any other OCP is found to be applicable during the execution of work at site, then subcontractor will follow this as well, within quoted rate. These OCPs (applicable ones) will be made available to subcontractor during work execution at site. However for reference purpose, these are kept with Safety Officer of BHEL



**HEALTH, SAFETY AND ENVIRONMENT  
PLAN FOR SITE SUB-CONTRACTORS  
(MAITREE PROJECT)**

Doc no.: HSEP: 14-MAITREE:VENDOR

REV: 00

POWER SECTOR-EASTERN REGION

Date: 05.05.16

Page: 21 of 90

at the Power Sector Regional HQ, or available in downloadable format in the website, which may be referred by subcontractor, if they so desire.

**LIST OF OCPs**

Safe handling of chemicals	Safety in use of cranes	Hydraulic test
Electrical safety	Storage and handling of gas cylinders	Spray insulation
Energy conservation	Manual arc welding	Trial run of rotary equipment
Safe welding and gas cutting operation	Safe use of helmets	Stress relieving
Fire safety	Good house keeping	Material preservation
Safety in use of hand tools	Working at height	Cable laying/tray work
First aid	Safe excavation	Transformer charging
Food safety at canteen	Safe filling of hydrogen in cylinder	Electrical maintenance
Illumination	Vehicle maintenance	Safe handling of battery system
Handling and erection of heavy metals	Safe radiography	Computer operation
Safe acid cleaning	Waste disposal	Storage in open yard
Safe alkali boil out	Working at night	For sanitary maintenance
Safe oil flushing	Blasting	Batching
Steam blowing	DG set	Piling rig operation
Safe working in confined area	Handling & storage of mineral wool	Gas distribution test
Safe operation of passenger lift, material hoists & cages	Drilling, reaming and grinding(machining)	Cleaning of hot well / de-aerator
Electro-resistance heating	Compressor operation	O&M of control of AC plant & system
Air compressor	Passivation	Safe Loading of Unit
Safe EDTA Cleaning	Safe Chemical cleaning of Pre boiler system	Safe Boiler Light up
Safe Rolling and Synchronization		

**10.1 HSE ACTIVITIES**

While planning for any activity the following documents shall be referred for infrastructural requirements to establish control measures: Only specific portion of the following documents may be shared as reference at discretion of BHEL.

- 1) HSE Procedure for Register of OHS Hazards and Risks
- 2) HSE Procedure for Register of Environmental Aspects and Impacts
- 3) HSE Procedure for Register of Regulations
- 4) Operational Control Procedures
- 5) HSE Procedure for Emergency Preparedness and Response Plan
- 6) Contract documents

**10.2 WORK PERMIT SYSTEM**

- The following activities shall come under Work Permit System
- a The following activities shall come under Work Permit System
  - a. Height working
  - b. Hot work in general and at height including handling of hazardous substance viz, Acetylene, Oxygen and LPG
  - c. Confined space



**HEALTH, SAFETY AND ENVIRONMENT  
PLAN FOR SITE SUB-CONTRACTORS  
(MAITREE PROJECT)**

Doc no.: HSEP: 14-MAITREE:VENDOR

REV: 00

POWER SECTOR-EASTERN REGION

Date: 05.05.16

Page: 22 of 90

- d. Radiography
  - e. Hazardous Energy Control (lockout/tagout)
  - f. Excavation and Trenching
  - g. Heavy lifting exceeding 50Metric Tonne
  - h. Handling of Hazardous Substances- Diesel, Caustic Soda, Citric Acid/EDTA, Thinner, Battery Acid, Oil-based paint, Lubricants, Transformer oil.
- Refer Annexure 05 for Work permit formats.

- Permit applicant shall apply for general work permit and other permits as referenced above of particular work activity at particular location before starting of the work with Method Statement and HIRA/Job Hazard Analysis.
- Permit signatory shall check that all the control measures necessary for the activity are in place and issue the permit to the permit holder.
- Permit holder shall implement and maintain all control measures during the period of permit .He will close the permit after completion of the work. The closed permit shall be archived in HSE Department of site.

### 10.3 SAFETY DURING WORK EXECUTION

Respective OCPS are to be followed and adherence to the same would be contractually binding

#### 10.3.1 Power supply & upkeep of installation -

- Only persons licensed to Govt of State shall maintain and operate power installations.
- All distribution boxes shall be locked and the key controlled by site management of concerned contractor.
- Electrical appliance shall have proper earthing and for appliances equal to & more than 415V shall have two separate earthing ( as per IS-3043-1987)
- All electrical supply shall be provided through ELCB of 30mA sensitivity.
- The working condition and sensitivity of ELCB shall be checked periodically.
- All fuses and fuse wires shall be of standard size and rating.
- All power supplies through cables shall be underground or overhead with height > 3mtrs.

The following guidelines are to be considered the absolute minimum requirements to be supplemented by requirements of all applicable codes and standards for such work; Wiring and Branch Circuits Must be protected by a proper amperage over-current device such as a HRC fuse or circuit breaker. Such installations must be located so as to prevent physical damage to the wire conductors & panels.

- Portable electric lights used in wet or potentially wet locations must be either low voltage type (24 volts or less) or protected by a GFI (ground fault interrupter).
- Must be visually checked before each use and periodically while in use to assure their original integrity is maintained. Cords with cuts, breaks, deep abrasions, etc. shall be taken out of service immediately. Repairs to extension cords shall only be performed by qualified/ licensed electricians.
- Must not be allowed to lie in wet or potentially wet areas.
- Every electric line or cable of unknown origin that is discovered or exposed during a digging, drilling, probing, or similar operation is to be considered as energized and life threatening. The senior company employee on the site will ensure that all necessary safety precautions are taken in order to isolate the line from all workers and the public. Such precautions may include halting the operation if appropriate. The senior company employee on the site is to then contact the proper authorities to have the line identified and either confirmed to be abandoned and/or made safe for continuing the work.



**HEALTH, SAFETY AND ENVIRONMENT  
PLAN FOR SITE SUB-CONTRACTORS  
(MAITREE PROJECT)**

Doc no.: HSEP: 14-MAITREE:VENDOR

REV: 00

Date: 05.05.16

Page: 23 of 90

POWER SECTOR-EASTERN REGION

- Any and all underground lines that are discovered or become severed must be considered energized on both sides, and be treated accordingly.
- In general, equipment or machinery being moved or transported must maintain minimum clearances of 25 ft to all power lines.
- TAG IN/ TAG OUT must be in force in Switch Room and all Distribution Boxes for live power line. The authorized person's name and contact no shall be displayed
- Ensure "double insulated" three - core cables and three pin connectors are used and are properly ground "all insulated" types, all electrical tools and appliances must be manufactured for industrial use.
- All connections shall be electrically and mechanically sound and properly insulated. Taped joints are not permitted. Connections to socket outlets must be made with proper plugs.
- Splices in electrical cords are not permitted. Repairs must be made at the socket connection and retain the same mechanical and dielectric condition of the original connection.
- Damaged or defective electric tools, equipment and extension cords, etc must not be used and shall be tagged out of service, removed from the work area and taken back to stores.
- Only licensed electricians are authorized to repair and work on electrical equipment. Tampering with electric tools or equipment by others could result in termination.
- Temporary electric cabling should be elevated 2.2 meters above the floor/ground or covered for protection. It must be kept clear of walkways and other locations where it may be exposed to damage or create a tripping hazard.
- Energized wiring in junction boxes, circuit breaker panels and similar places must be covered and locked at all times.
- Areas with live high voltage wires or terminals must be barricaded against entry and warning signs posted Danger – High Voltage and Authorized Personnel Only.
- Personnel should never work on energized equipment, deenergizing (lockout/tagout) the equipment is always the first requirement.
- The lockout and tagout procedure will be used when testing or working on, or around, energized installation.
- Working around energized equipment should never be done alone. A second electrician must always be available for assistance.
- If lockout/tagout of the work is infeasible (must be demonstrated), work on energized electrical circuits must be approved by the Site In-charge. All safety precautions necessary must be taken, PPE use must be evaluated per the exposure and used, i.e high/low voltage gloves, insulated shoes, overcoats/aprins, faceshields, and other protective equipment like insulated tools, blankets, mats, etc. must be used.
- The welding machines earth leads shall be properly fixed without loose contacts. The earth cable only has to be used. No steel members shall be used as earth leads.
- Electrical crews must be qualified for the equipment and tools they work on, including being trained in Cardio-Pulmonary Resuscitation (CPR) methods and First Aid for rendering help in the event of electric shock.

**10.3.2 Qualified and Unqualified Workers (Electrical Works):**

Basic electrical safety knowledge is a major concern. It is critical that only qualified workers be allowed to perform this work. Therefore only those persons that are both qualified and authorized may install, fabricate, repair, test, calibrate or modify electrical or electronic wiring, devices, parts, systems or equipment.

Qualified Person:

One who is trained and wiremen licensed to Govt as per Rule 58(9) of Bangladesh Labor Rules and familiar with the construction, operation and safety hazards of the equipment upon which they are permitted to work.



**HEALTH, SAFETY AND ENVIRONMENT  
PLAN FOR SITE SUB-CONTRACTORS  
(MAITREE PROJECT)**

Doc no.: HSEP: 14-MAITREE:VENDOR

REV: 00

Date: 05.05.16

POWER SECTOR-EASTERN REGION

Page: 24 of 90

- Qualified persons are intended to be only those who are well acquainted/experienced with and thoroughly conversant in the electric equipment and electrical hazards involved with work being performed.
- Only qualified persons may be permitted to work on or near exposed energized parts. Such persons are required to have been trained in three specific areas:
  - Qualified persons must be capable of working safely on energized circuits;
  - Must be familiar with the proper use of special precautionary techniques and procedures based on equipment and exposure; and
  - Must be familiar with required personal protective equipment, insulating and shielding materials, and insulated tools.
- Qualified persons are expected to be able to evaluate unknown situations and adjust their activities in such a way that only safe work practices are used. Such behavior is the responsibility of the qualified person.
- It is possible and likely for an individual to be 'qualified' with regard to certain equipment in the work place, and unqualified on other equipment they must note their limitation and stop work if not qualified on what equipment they were to work on.
- An employee who is undergoing on-the-job training, who, in the course of such training, has demonstrated an ability to perform duties safely at his or her level of training, and who is under the direct supervision of a qualified person is considered to be a qualified person for the performance of those duties. The process must be documented as proof.

#### 11.0 Lifting Operations:

All the cranes and lifting tools & tackles shall be inspected on daily basis and as well as formal monthly by expert and as per the law third party for annual certification. These shall be tested and certificates of fitness shall be obtained from 3<sup>rd</sup> party govt approved competent agency before deploying at site and later periodically (As per Rule 60 and 75, Schedule 3 of Bangladesh Labour Rules). The last date of Third Party Inspection and the next Due date shall be conspicuously displayed on all cranes. A copy of certificate shall be pasted on operators cabin of all the lifting equipment. The record shall be maintained in Form-24

The manufacturer's instruction for maintenance shall also be followed. All safety measures shall be followed. All tools tackles, lifting appliances; material-handling equipment etc used by the contractor shall be of safe design and construction. The operators, slingers and signalers shall be qualified as per IS 13367 (part-1):2003 "Safe use of cranes- code of practices". There shall be a person responsible for co-ordination

##### 11.1 Personnel Lifts (Man-Basket): (To be treated as a T&P item)

A Personnel Man-Basket permit shall be completed prior to lifting any people, along with a rigging plan. Man-basket shall be used where access through ladders or scaffolding is not feasible. Man-baskets shall be designed and engineered by a manufacturer (job made man-baskets are not allowed, unless designed and tested by a certified engineer), and built robust with MS Angles and flats or plates or channels only. Guard rails top and mid, must be in place and screened-in to avoid material from falling out of basket. The factor of safety shall be 200%. It shall have a door with double latches and shall open inside. Anchor points shall be identified within the man-basket. The man-basket shall be thoroughly inspected and load tested and a trial run performed without personnel before being put to job. It shall be treated as a lifting tool and shall undergo same certification cycle and inspection as other lifting equipments. An additional sling of required lifting capacity shall be fixed to the man-basket main lifting point and attached to the crane above the ball or block. While lifting man-basket, the crane shall maintain a uniform speed of lift without any swing. Once man-basket reaches the destination, the lift brakes shall be locked as long as the basket remains at that point. The same care shall be taken in its descent. As for hanging man-basket, the same shall be hung off a rigid structure with help U-shaped handle welded to man-basket. This shall be tested once in a year by a competent person.



## HEALTH, SAFETY AND ENVIRONMENT PLAN FOR SITE SUB-CONTRACTORS (MAITREE PROJECT)

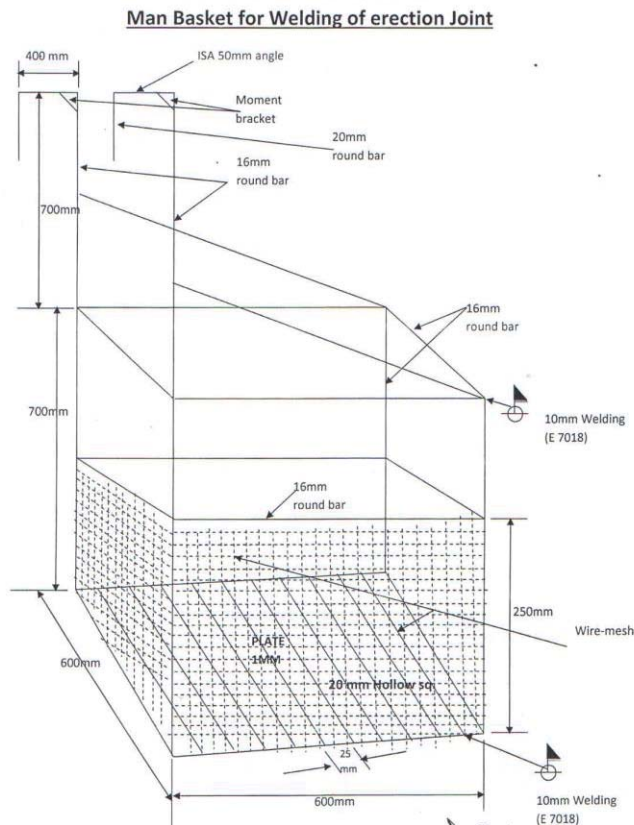
Doc no.: HSEP: 14-MAITREE:VENDOR

REV: 00

POWER SECTOR-EASTERN REGION

Date: 05.05.16

Page: 25 of 90



### 11.2 CRANES AND HOISTING EQUIPMENTS:

This procedure provides the guidelines to ensure proper rigging and lifting activities are accomplished safely and in accordance with applicable specifications, codes, and regulations.

- On every crane or piece of hoisting equipment notices of all rated load capacities, recommended operating speeds, and any hazard warnings or special instructions shall be conspicuously posted. All instructions and warning shall be visible from the equipment operator's station.
- Cranes shall have an Anti Two-block safety device installed
- All mobile cranes shall have overload and backup alarms
- Load angle indicators and limit switch

All areas within swing radius of cranes that are potentially accessible by pedestrian, vehicular, or equipment movement shall be barricaded to prevent anyone or any vehicle or equipment from being struck by the crane or hoisting equipment, or its load(s).

- No part of the lifting equipment or its load shall be within the distance as specified in the Indian Electricity Act from an energised power line
- Cranes shall have annual certified third party inspection and be inspected before use by the operator. Any defects shall be corrected before use. Logs of crane inspection shall be kept with the crane.
- Make certain that the rigging personnel, material, and equipment have the necessary capabilities for the job and are in safe condition.



**HEALTH, SAFETY AND ENVIRONMENT  
PLAN FOR SITE SUB-CONTRACTORS  
(MAITREE PROJECT)**

Doc no.: HSEP: 14-MAITREE:VENDOR

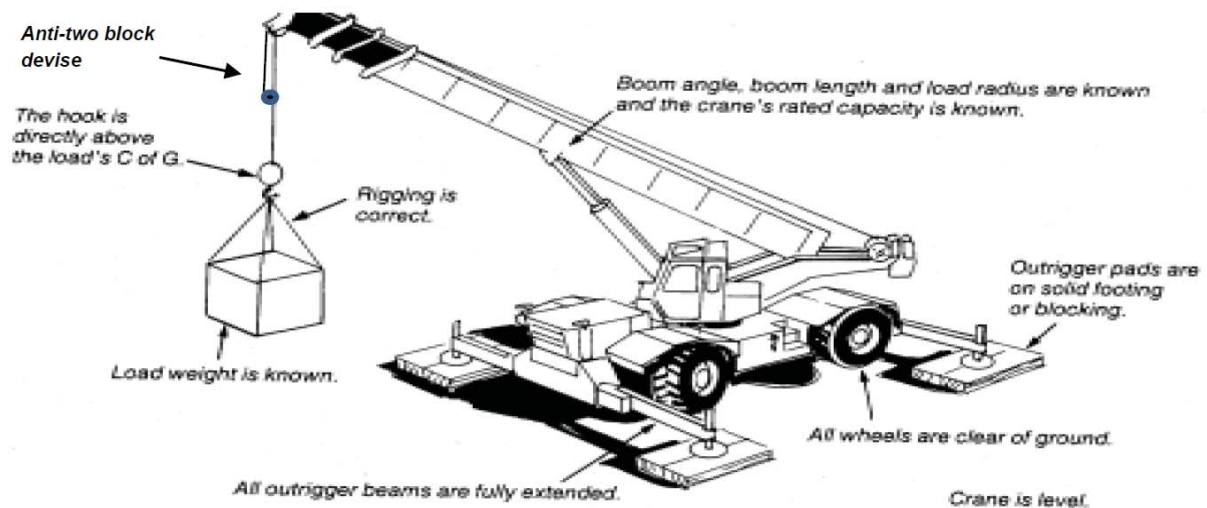
REV: 00

POWER SECTOR-EASTERN REGION

Date: 05.05.16

Page: 26 of 90

- Communicate with person(s) directly responsible for accomplishing the work and / or work area to establish requirements/responsibilities and make certain that all preparatory work is complete.
- Mats/Pads must be used on all lifting equipment, equipped with outriggers.
- Pick and carry must have the load secured to the rig in front.
- Proper crane setup:



#### 11..2.1 Safe Rigging Practices:

- Review the planned operation and requirements with the operator and rigging crew.
- Ensure a pre-lift meeting is conducted with crane operator, tagline operator, signal personnel, and Safety Manager.
- Designate a qualified person from the rigging crew to observe clearance of the equipment and give timely warning for all operations where it is difficult for the operator to maintain the desired clearance by visual means.
- Clear the lift area of all unnecessary personnel.

#### 11.2.2 The following are rules for safe rigging:

- Use loops, thimbles and corner pads to prevent damage to slings when used around corners or on cutting edges.
- Never allow wire rope to lie on the ground for any length of time or on rusty steel or near solvents, chemicals or corrosive substances.
- Slings must not be pulled from between or under loads with load resting on the sling.
- Keep all rope away from flame cutting or welding operations.
- Never use rope as sling material.
- Never wrap a wire rope completely around a hook.
- Do not bend wire rope near any attached fitting.



**HEALTH, SAFETY AND ENVIRONMENT  
PLAN FOR SITE SUB-CONTRACTORS  
(MAITREE PROJECT)**

Doc no.: HSEP: 14-MAITREE:VENDOR

REV: 00

Date: 05.05.16

Page: 27 of 90

POWER SECTOR-EASTERN REGION

- The sling must be selected to suite the most heavily loaded leg rather than the total weight when using multi-legged sling to lift loads in which one end is heavier than the other.
- When using 3 and 4 legged sling configurations, any two legs must be capable of supporting the entire load.
- Where possible, wire rope choker hitches must include a shackle with the eye around the shackle pin to prevent breaking wires of the choke. The choker hitch must be “snugged down” prior to lifting, not after tension is applied.
- Unless authorized by the hook manufacturer when more than two rope eyes are placed over a hook, install a shackle, pin resting in the hook, and place the rope eyes in the bowl of the shackle.
- Properly rig all loads to prevent dislodgment of any part.
- Use guide ropes or tag lines to prevent the rotation or uncontrolled motion of the load when necessary.
- Loads must be safely landed and properly blocked before being unhooked and unslung. Tag lines must not be used in situations that jeopardize the safety of the lift.
- Lifting beams must be plainly marked with their weight and designed working load and must only be used in the manner for which they were designed.
- The hoist rope or chain must never be wrapped around the load. The load must be attached to the hook by slings or other rigging devices that are adequate for the load being lifted.
- Multiple part lines must not be twisted around each other.
- The hook must be brought over the center of gravity of load before the lift is started.
- If there has been a slack rope condition, determine that the rope is properly seated on the drum and in the sheaves prior to lifting.
- Keep hands away from pinch points as the slack is being taken up.
- Leather gloves are recommended when handling wire rope.
- Avoid impact loading caused by sudden jerking when lifting or lowering. Lift the load gradually until the slack is eliminated.
- Never ride on a load that is suspended.
- Avoid allowing the load to be carried over the heads of any personnel.
- Never work under a suspended load until the load has been adequately supported from the floor and all conditions have been approved by the supervisor in charge of the operation.
- Never leave a load suspended unless emergency evacuation is required.
- Never make temporary repairs to sling.
- The capacity of a sling is determined by its angle, construction, type of hitch and size.
- Never lift loads with one leg of a multi-leg sling until the unused legs are made secure.
- Never point load a hook unless it is especially designed and rated for such use.
- Make certain that the load is broken free before lifting and that all legs are taking the load.
- When using two or more slings on a load make certain all slings are made from the same materials.
- Lower the loads on to adequate blocking to prevent damage to the slings.
- Materials and equipment being hoisted must be loaded and secured to prevent any movement which could create a hazard in transit.
- The weight of the hook, load block and any material handling devices must be included when determining crane capacity.
- Operator must have clear sight of loads being picked up or put down by crane. Tag lines will be used to control the loads. Loads must not be touched by hand while placing/ moving.



**HEALTH, SAFETY AND ENVIRONMENT  
PLAN FOR SITE SUB-CONTRACTORS  
(MAITREE PROJECT)**

Doc no.: HSEP: 14-MAITREE:VENDOR

REV: 00

POWER SECTOR-EASTERN REGION

Date: 05.05.16

Page: 28 of 90

### 11.2.3 Synthetic Slings

The following are rules for safe use of synthetic slings:

- Synthetic slings must be marked to show the rated capacity for each type of hitch and type of web material.
- Nylon web slings must not be used where fumes, vapors, sprays or mists or liquids of acids or phenolic are present. Web slings with aluminum fittings must apply in this category.

11.2.3.1 Synthetic web slings must be removed from service and destroyed if any of the following conditions are present:

- Acid or caustic burns
- Melting or charring of any part of the sling surface
- Snags, punctures tears or cuts
- Broken stitches
- Distortion of fittings
- Synthetic web slings of polyester or nylon must not be used at or come in contact with temperatures in excess of 82°C
- Polypropylene web slings must not be used at or come in contact with temperatures in excess of 93°C
- Insulated hooks must be tested yearly to insure insulation integrity to at least manufacturer's specifications.

11.2.4 Wire Rope Slings must be removed from service and destroyed if any of the following conditions are present:

- In (10) randomly distributed wires broken in one (1) rope lay, or five (5) broken wires in one (1) strand in one (1) rope lay.
- Wear or scraping of one-third the original diameter of outside wires.
- Kinking, crushing, bird caging or any other damage resulting in distortion of the wire rope structure such as:
- Evidence of heat damage.
- End attachments that are cracked, deformed worn.
- Corrosion of the rope or end attachments.

11.2.5 Metal mesh slings must be immediately removed from service if any of the following conditions are present:

- A broken weld or broken brazed joint along the sling edge.
- Reduction in wire diameter of 25 percent due to abrasion or 15 percent due to corrosion.
- Lack of flexibility due to distortion or corrosion.
- Synthetic web slings must be removed from service and destroyed if any of the following conditions are present:
- Acid or caustic burns
- Melting or charring of any part of the sling service
- Snags, punctures, tears or cuts
- Broken stitches
- Distortion of fittings



**HEALTH, SAFETY AND ENVIRONMENT  
PLAN FOR SITE SUB-CONTRACTORS  
(MAITREE PROJECT)**

Doc no.: HSEP: 14-MAITREE:VENDOR

REV: 00

POWER SECTOR-EASTERN REGION

Date: 05.05.16

Page: 29 of 90

11.2.6 Requirements of Plate Clamps:

- The rated load of the plate clamp must be marked on the main structure.
- Care must be taken to make certain the load is correctly distributed for the plate clamp being used.
- Do not allow load or plate clamp to come into contact with any obstruction.
- The plate clamp must not be used for side pulls or sliding the load.
- When lifting stainless steel or special alloys, ensure plate clamp is designed for use on the specific metal.

11.2.7 Crane operators must follow the followings:

- Pass an annual Operator's Physical examination
- Carry a valid experience certificate from the previous employers

11.2.8 Colour Coding Procedure

- Inspections and tests shall be documented by means of color coding which shall verify that inspections or testing are current and that all receptacles, portable Power tools, Lifting Tools & Tackles have been inspected and tested as required. The color codes used on the project shall be:

GREEN	BLUE	YELLOW	RED
January February March	April May June	July August September	October November December

- The cycle of colors shall be Quarterly. The color code tape / Sticker shall be clearly visible to designate the period for which the inspections and tests were conducted.
- Following the initial inspection the equipment must be color-coded quarterly as per color-coding instructions that will be issued by the CONTRACTOR.
- Fire extinguisher with the current month color-coding inspection sticker must be provided and secured in the platform.
- All slings shall be regularly inspected in accordance with the requirement of the project for frequent and periodic inspections and removed from the job site if they fail to meet the minimum requirements of the project.
- The CONTRACTOR'S SFO shall ensure that all PPE is inspected prior to its issue. He is to ensure all SUBCONTRACTOR personnel are using safe and proper PPE equipment. Regular inspections on the PPE shall be carried out and personnel not adhering to those inspections shall be removed immediately from the SITE.
- A five (10) day interval period shall be given into each monthly color code change. During this five (10) day period either color shall be acceptable.



**HEALTH, SAFETY AND ENVIRONMENT  
PLAN FOR SITE SUB-CONTRACTORS  
(MAITREE PROJECT)**

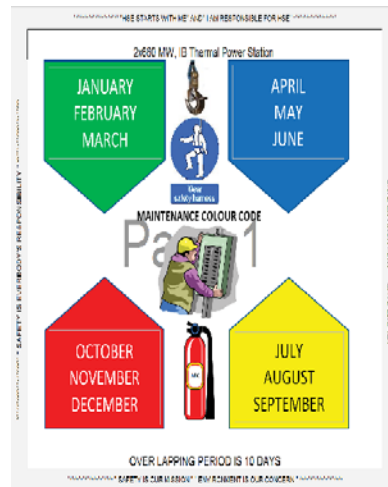
Doc no.: HSEP: 14-MAITREE:VENDOR

REV: 00

POWER SECTOR-EASTERN REGION

Date: 05.05.16

Page: 30 of 90



## 12.0 Fire prevention, protection & preparedness -

The Fire Prevention, Protection and Preparedness Program is an integral part of the overall HSE Program. Effort and consideration must be given to safety, life and potential for delays in construction schedules and plant startup, as well as protection of property on a given project.

The purpose of which is to prevent -

- Inception of fire
- Loss of life or personal injury
- Loss of Property
- Interruption of operations

Site-in-charge / Safety Officer will make periodical review of the site Fire Protection, Prevention Preparedness Programme, Site conditions and available fire protection equipment. It is very imperative that the Sub-contractors along with BHEL to establish good contact with Local fire station for availability of Fire tender in case of emergencies, in addition to their own fire equipment.

Fire Protection, Prevention and Preparedness Inspections - The Contractor /Sub-Contractor will be required to make frequent fire prevention inspections of his work site and operating facilities. Deficiencies will be corrected at once.

- Area where Hot work activities are carried out (Gas cutting / Welding/ any other spark producing work) above a working spot, a GI / fire-resistant non-asbestos sheet or suitable material shall be placed to prevent the fall of hot sparks. A bucket of water shall be kept nearby while doing hot work
- Hot work shall be preferably carried out in a designated area with a standing Hot Work Permit, to be renewed monthly. The designated area shall have fire extinguishers.
- Any hot work outside designated area shall require a Hot Work permit and fire watch.

No flammable material shall be stored within 35 feet from any fire load.

- Necessary fire extinguishers shall be kept at accessible area as per the chart below:
- The record of Fire safety training and Fire drill shall be maintained in Form-22 and 22(A)



**HEALTH, SAFETY AND ENVIRONMENT  
PLAN FOR SITE SUB-CONTRACTORS  
(MAITREE PROJECT)**

Doc no.: HSEP: 14-MAITREE:VENDOR

REV: 00

POWER SECTOR-EASTERN REGION

Date: 05.05.16

Page: 31 of 90

Extinguisher		Type of Fire				
Colour	Type	Solids (wood, paper, cloth, etc)	Flammable Liquids	Flammable Gasses	Electrical Equipment	Cooking Oils & Fats
	Water	✓ Yes	✗ No	✗ No	✗ No	✗ No
	Foam	✓ Yes	✓ Yes	✗ No	✗ No	✓ Yes
	Dry Powder	✓ Yes	✓ Yes	✓ Yes	✓ Yes	✗ No
	Carbon Dioxide (CO <sub>2</sub> )	✗ No	✓ Yes	✗ No	✓ Yes	✓ Yes

- Emergency telephone number to be displayed at all conspicuous places.

General flammable material storage requirements:

- All flammable material shall be stored in deigned areas and/or in flammable storage cabinets, as necessary.
- Fire extinguishers shall be located near by and have unobstructed access.

**13.0 RADIOGRAPHY:** Wherever the process requires examination by radiography,

- BHEL /contractor shall use approved radiography contractors for the work on site.
- Site radiography shall be carried out after advance notification to the HSE officer and client personnel. All radiography on the site shall be subject to receipt of client/BHEL work permit and shall normally be performed outside of normal working hours. No ionising radiation sources shall be left unsupervised whilst on site.
- A minimum of 2 qualified persons from the radiography contractor are required for each activity involving ionising radiation. Adequate warning signs shall be posted on barriers and the work area shall be marked off at a safe distance with tape or hard barricades prior to starting radiography by concerned job sub-contractor.
- All personal executing radiography operations shall carry calibrated radiation monitoring devices at all times.
- The storage of radioactive sources on the site is prohibited, they shall be present only for the time required to complete the work. Whilst not in use, radiation sources and their container shall be secured in a safe location with adequate warning signs displayed as per AERB guidelines.

**14.0 Confined Space Entry:**

A confined space must have an opening of minimum dimension of 40.65cm X 30.65cm if shape is rectangular or oval and dia of 40.65cm if shape is round.



**HEALTH, SAFETY AND ENVIRONMENT  
PLAN FOR SITE SUB-CONTRACTORS  
(MAITREE PROJECT)**

Doc no.: HSEP: 14-MAITREE:VENDOR

REV: 00

POWER SECTOR-EASTERN REGION

Date: 05.05.16

Page: 32 of 90

A hazard assessment must be completed prior to any entry into a confined space. The hazard assessment must identify the sequence of work to be performed in the confined space, the specific hazards known or anticipated, and the control measures to be implemented to eliminate or reduce each of the hazards to an acceptable level. No entry must be permitted until the hazard assessment has been reviewed and discussed by all persons engaged in the activity. Personnel who enter confined spaces must be trained per role e.g. entrant (worker), confined space supervisor & attendant, and must be informed of known or potential hazards associated with the confined spaces to be entered. Number of persons entering shall be kept at minimum. All confined spaces must be inventoried at site and kept on file. Confined spaces must be posted at the entrance with similar type wording "DANAGER - Do Not Enter – Confined Space - Permit Required".



Once a hazard assessment is completed the Contractors/Subcontractors requirements are:

- All confined space activities must be reviewed with the Contractor's Safety Manager prior to commencement of the work. Confined space permits are required as part of the entry process.
- Prior to entering the confined space, the area must be completely controlled to prevent the entry of any unauthorized individual, hazardous substances, or materials, which would threaten the safety of the entrants and the stability of the space. All energy sources, including stored or residual energy, must be isolated and/or blanked, and locked out.
- All shall be given a pep-talk by the concerned supervisor giving details of the jobs to be performed, hazards and risks associated and mitigation measures. The persons shall be provided with all necessary PPEs including respiratory masks, if necessary.
- The confined space must be monitored prior to one entering the identified area. Then periodic atmospheric testing must take place throughout the entry, especially after breaks or work interruptions during the entry. Continuous monitoring is preferable, and may be necessary in certain situations. Monitoring results must be documented on the entry permit with the initials of the individual conducting the testing.
- Contractors/Subcontractors must complete a Confined Space Permit before permitting workers to enter the space. This document must be reviewed and approved via a signature by the entry supervisor. The content of the completed permit must be reviewed with the entrants before entering the space and posted at the confined space entrance.
- A proper and accessible means of exit and exit shall be ensured before entry.
- The space shall be illuminated with 24V lamps only
- All gas cylinders/welding machines shall be preferably kept outside the confined space. Even cutting torches/ electrode holders shall be kept outside, when not in use, if possible.
- All electrical equipments shall be connected to ELCB
- The confined space must have an attendant monitoring the activities within the space. This individual must be in constant communication with work crew inside the space. The attendant must know who is inside the space, that must



**HEALTH, SAFETY AND ENVIRONMENT  
PLAN FOR SITE SUB-CONTRACTORS  
(MAITREE PROJECT)**

Doc no.: HSEP: 14-MAITREE:VENDOR

REV: 00

POWER SECTOR-EASTERN REGION

Date: 05.05.16

Page: 33 of 90

be documented. The attendant must not have any other responsibilities than monitoring the space. He/she may not enter the space to perform rescue unless relieved of the duties as an attendant.

- Adequate ventilation must be provided to establish and maintain a stable atmospheric environment. Air circulation shall be ensured. Fumes/dusts generated inside shall be extracted. Ventilation systems must be designed for use in confined spaces.
- Any space 5' or more in depth must have a mechanical retrieval system. This system must be designed for the retrieval of human, and must not be used for equipment purposes. Workers inside the space must wear full body harnesses, and must be connected to the retrieval system.
- Rescue procedures must be established prior to any entry. The local fire department must be contracted prior to entry if they will be the primary source of rescue.
- All individuals involved in the confined space activities must be trained, including hands-on experience with the safety equipment involved. Documentation of the required training must be available prior to the start of any confined space work activities.
- The confined space shall be cleared off all cables, machines, cylinders, materials at the end of the day's work as far as possible.

Once the confined space work has been completed, the entry permit must be cancelled. A copy of the cancelled permit must be given to the HSE Manager

#### **15.0 Welding and Gas Cutting Operations**

- When possible, items to be welded, cut, heated, etc. shall be moved to a safe location free of combustible or flammable material. If this is not possible, then all combustibles/flammables that can be removed from the area shall be removed within a 35 foot circumference and a positive means of confining arcs and sparks generated by the process shall be taken and additional person(s) shall be stationed as fire watch for the area(s) still exposed, along with obtaining the Hot Work Permit as applicable.
- Appropriate fire-fighting equipment is to be available in close proximity of any welding and gas cutting operations at all times.
- Drums, tanks, and similar containers that have contained flammable or toxic material shall not be welded, cut, or heated until they have been made safe by water filling, thorough cleansing, or similar accepted practices. The container shall also be ventilated during the welding, cutting, or heating process.
- Proper ventilation is required for any welding or torch operations performed in a confined space.
- Any welding or gas cutting operations performed on metals of toxic compounds or coating such as zinc, stainless steel, lead, cadmium, chromium, and beryllium shall be properly ventilated and/or proper respiratory protection shall be worn by any person that could be exposed to fumes, vapors, and gasses created by the welding and gas cutting processes.
- Wherever it is practical, all arc welding operations shall be shielded to prevent direct light rays or sparks from contacting persons in the vicinity or from reaching areas normally used to travel through or into the vicinity. Where this is not practical, persons who shall be in the area are to use proper eye and skin protection. Other persons who are not participating in the welding or gas cutting operations are not to be allowed into the hazard zone.
- Welders and other employees who are exposed to arc welding radiation shall wear suitable clothing and protective apparel to prevent burns and other types of ultraviolet radiation damage to the skin.
- Arc welding machines shall be shut down when being moved or when they are not in continuous use.
- Electrode holders left unattended shall have electrodes removed and shall not be left where they might contact



**HEALTH, SAFETY AND ENVIRONMENT  
PLAN FOR SITE SUB-CONTRACTORS  
(MAITREE PROJECT)**

Doc no.: HSEP: 14-MAITREE:VENDOR

REV: 00

Date: 05.05.16

Page: 34 of 90

POWER SECTOR-EASTERN REGION

employees or conducting objects.

- Arc welding power supply cable shall be of proper rating and material, e.g. copper.
- Welders shall guard against allowing materials adjacent to or behind them to reflect radiation back toward them or towards others in the area. Reflected radiation can cause skin burns and eye flash burns.
- Compressed gas cylinders shall always be secured from tipping or falling, whether in use, in storage or in transit. The cylinders shall always be secured upright, except during times when actually being hoisted or carried.
- Valve caps shall be in place when cylinders are not in use. Valve caps shall never be used for lifting the cylinder vertically.
- Regulators shall be removed when cylinders are not in use or are in transit, unless the cylinder is firmly secured on a special carrier designed for this purpose.
- Cylinders being transported by a powered vehicle shall be secured in an upright position. Gas cylinders are not allowed to be used in man-basket when occupied.
- Cylinders containing oxygen or fuel gasses shall not be taken into confined spaces.
- Oxygen cylinders shall be stored a minimum of (6) meters from fuel gas cylinders or shall have an approved firewall between them.
- Torches shall only be lit by approved strikers; never with matches, cigarette lighters, or hot work.
- While carrying out job at height, the sparks or molten slag shall be prevented from falling down by putting a fire-resistant (non-asbestos) sheet or even MS Sheet. If such can not be provided, the passage of falling sparks or molten slag shall be barricaded till ground floor and any cable/ tubes/ any other objects interfering in the passage shall either be removed or covered with Fire-resistant sheet or M S Sheet.

#### **16.0 COMPRESSED GAS :**

- All cylinder valves shall be closed when any work is finished and when any cylinders are empty or being moved.
- Valve protection caps shall be placed and secured properly before gas cylinders are transported, moved or stored.
- Compressed gas cylinders shall be secured in an upright position with chain or other appropriate means.
- All cylinders shall be kept at a safe distance from welding or cutting operations or shielded from safe.
- All cylinders shall be placed where they cannot become part of the electrical circuit.
- Oxygen and acetylene shall not be stored together.
- Oxygen and fuel gas regulators, hoses and associated equipment shall not be altered and shall be in proper working order while in use.
- Compressed air can be extremely dangerous if allowed to penetrate the skin. As such, the use of compressed air to clean off yourself or other workers shall be strictly prohibited.



**HEALTH, SAFETY AND ENVIRONMENT  
PLAN FOR SITE SUB-CONTRACTORS  
(MAITREE PROJECT)**

Doc no.: HSEP: 14-MAITREE:VENDOR

REV: 00

POWER SECTOR-EASTERN REGION

Date: 05.05.16

Page: 35 of 90

**17.0 WORK AT HEIGHT:** All work at height above 3meter above ground level without complete platforms, handrails and other related fall protection shall require a work permit in the prescribed form. This shall require approval by the competent authority. The HSE officer of sub-contractors and subsequently BHEL shall follow the checklist religiously by physically verifying the condition of the work area before recommending for approval.

Whenever a fall hazard or other exposure exists for working at heights more than 3m, the nature and scope of work will be evaluated for conditions and environmental factors before selecting the appropriate fall protection system (active, passive or a combination of measures, as appropriate). A personnel fall protection system must include:

- The only permissible personal fall arrest system is an industry approved safety harness. Employees can use positioning belts with two-D ring attachment points as long as they are used in conjunction with a safety harness. Safety harnesses must be secured to an overhead object of substantial capacity capable of supporting five thousand pounds. In order to accomplish this and ensure 100% protection, the worker may need to use two lanyards. The primary lanyard is never unhooked until the secondary lanyard is secure.
- The type of work and the environment conditions determine lanyard and lifeline selection. If welding, chemical cleaning that may damage lanyards, connectors or lifelines, sandblasting, etc., either protect the components or use more appropriate type of system. Lanyards and lifelines must incorporate, or be used with, an appropriate deceleration (shock absorbing) device. Deceleration devices include rope grabs, rip-stitch lanyards, specially woven lanyards, tearing, or deforming lanyards, automatic self-retracting lifelines and lanyards which dissipate or limit the energy imposed on the employee during fall arrest. Once in use, the system's effectiveness is to be monitored. In some cases, a program for cleaning and maintaining the system may be necessary. Lanyard and lifelines must use locking snap hooks only and under no circumstances must two lanyard snap hooks be connected.

**Minimum Requirements:**

Prior to the start of work at elevation, the HSE Manager involved with the work must meet with the work supervisor to review the scope of work, and must review all the possible fall hazards and effective safety responses. The evaluation/analysis must be documented and kept on file and on site by the HSE Manager.

The procedures for the safety response to identified fall hazards developed and rescue plans by must be reviewed with all individuals exposed to the hazards.

The HSE Manager must establish an inspection process of fall protection systems. Some equipment requires documented inspections by its manufacture on a regular schedule. This equipment must have evidence of the inspection and re-certification process on it. This information must be reviewed before the equipment is actually used. Individuals must visually inspect the fall protection equipment before each use. Failure to complete this inspection process could result in serious injury or death.

Immediately remove from service any fall protection equipment that is identified as defective, damaged, or has been subjected to an impact. Damaged fall protective equipment must be destroyed to prevent re-use and not be discarded into trash containers, as the worn or damaged equipment could be unintentionally re-used.

Aerial lifting devices, excluding scissors lifts require the use of full body harnesses and lanyards in any elevated position.

All lifelines in general are to be made of min 8mm dia steel rope and tied to columns with 3 clamps at each end. Wherever columns are not available to tie the lifelines, the vertical posts are to be provided after carrying out drop-



**HEALTH, SAFETY AND ENVIRONMENT  
PLAN FOR SITE SUB-CONTRACTORS  
(MAITREE PROJECT)**

Doc no.: HSEP: 14-MAITREE:VENDOR

REV: 00

Date: 05.05.16

Page: 36 of 90

POWER SECTOR-EASTERN REGION

load test initially.

**18.0 SCAFFOLDS: ( As per IS 3696 or any international standard)**

The safe and efficient erection, use, dismantling, and storage of scaffolds, ladders and elevated work platforms are considered important objectives in maintaining a safe work environment. This procedure provides the guidelines for erection, use, dismantlement, and storage of scaffolding and elevated work platforms.

There is no such thing as a temporary scaffold. All scaffolds must be erected and maintained to conformed standard. The Scaffold Tagging defines satisfactory, incomplete or defective scaffolds.

Management must ensure or have each worker who performs work while on a scaffold trained by a person qualified in the subject matter to recognize the hazards associated with the type of scaffold being used and to understand the procedures to control or minimize those hazards.

All employees must be competent for the type of scaffolding work they are undertaking and should have received appropriate training relevant to the system they are working on.

- All scaffolds shall be erected / dismantled by scaffolding crew under direct supervision of **competent scaffolding supervisors**.
- All scaffolds shall be capable of supporting 4 times maximum intended load and erected on sound, rigid footing, capable of carrying the maximum intended load without settling or displacement. Bamboo scaffolding is not permitted for use on site.
- Guard rails and toe boards shall be installed on all open sides and ends of platforms more than (2) meters above ground or floor

Scaffold planks must be at least 5 cm x 25 cm (2" x 10") full thickness lumber scaffold grade or better.

- Scaffold planks shall not span distances greater than 2.5 meters (8 feet).

Scaffold planks shall extend over end supports not less than 6 inches nor more than 12 inches and be secured to the scaffold. Scaffolding and accessories with defective parts shall be immediately repaired or replaced.

- All scaffolding must be a minimum of two planks wide. No one may work from a single plank.
- Scaffold planks must be inspected before use. Planks that have been damaged must be removed from the site.
- Access ladders must be provided for each scaffold. Climbing the end frames is prohibited unless the design incorporates an approved ladder.
- Adequate mudsills or other rigid footing capable of withstanding the maximum intended load must be provided.
- Scaffolds more the 6 meters (20 feet) in height must be tied to the building or structure at intervals which do not exceed 4 meters (13 feet) vertically and 6 meters (20 feet) horizontally.
- Do not overload scaffolds. Material should be brought up as needed. Scaffolding must not be loaded in



**HEALTH, SAFETY AND ENVIRONMENT  
PLAN FOR SITE SUB-CONTRACTORS  
(MAITREE PROJECT)**

Doc no.: HSEP: 14-MAITREE:VENDOR

REV: 00

Date: 05.05.16

Page: 37 of 90

POWER SECTOR-EASTERN REGION

excess of its rated capacity.

- Barrels, boxes, kegs, blocks or similar unstable object must never be used as work platforms or to support scaffold.
- Where persons must work under or pass under a scaffold then a 18 gauge wire mesh screen must be installed between the toe board and guard rail.
- Employees exposed to overhead hazards while working on a scaffold will be protected by 5 cm (2") thick planks.
- Wooden/bamboo ladders shall not be allowed at any cost. Ladder's rungs shall be fitted /welded properly. Before every use the rungs should be checked for safe use.
- The platform should have permanent hand rail and mid rail with Toe board without fail.
- All platforms are to be tightly planked for the full width of the scaffold, except as may be necessary for entrance openings. Platforms shall be secured in place.
- On suspension scaffolds designed for a working load of 500 pounds, no more than two workers are permitted to work on the scaffold simultaneously. On suspension scaffolds with a working load of 750 pounds, no more than three workers are permitted on the scaffold simultaneously. Each employee on the scaffold shall use an approved safety harness attached to an independent lifeline. The lifeline is to be securely attached to substantial members of the structure (not the scaffold itself) or to securely rigged lines, which shall safely suspend a worker in event of a fall.

#### Suspension Scaffold

- Suspended scaffolds are platforms suspended by ropes, or other non-rigid means, from an overhead structure.
- Requirements for use are to be preapproved by HSE Head, under a specific Permit to Work.

#### Rolling Scaffolds

- The height of rolling scaffolds shall not exceed three times the minimum base dimension.
- The minimum base dimension of rolling scaffold will be 1.25 meters (4 feet).
- Adequate help must be provided when moving a rolling scaffold.
- Secure or remove all loose materials, equipment and tools before moving a rolling scaffold.
- No one is permitted to ride a rolling scaffold when it is being moved. Castor brakes must be locked - on when the scaffold is not being moved.

#### Typical Scaffold Designs

Tube & Coupler Scaffold –



**HEALTH, SAFETY AND ENVIRONMENT  
PLAN FOR SITE SUB-CONTRACTORS  
(MAITREE PROJECT)**

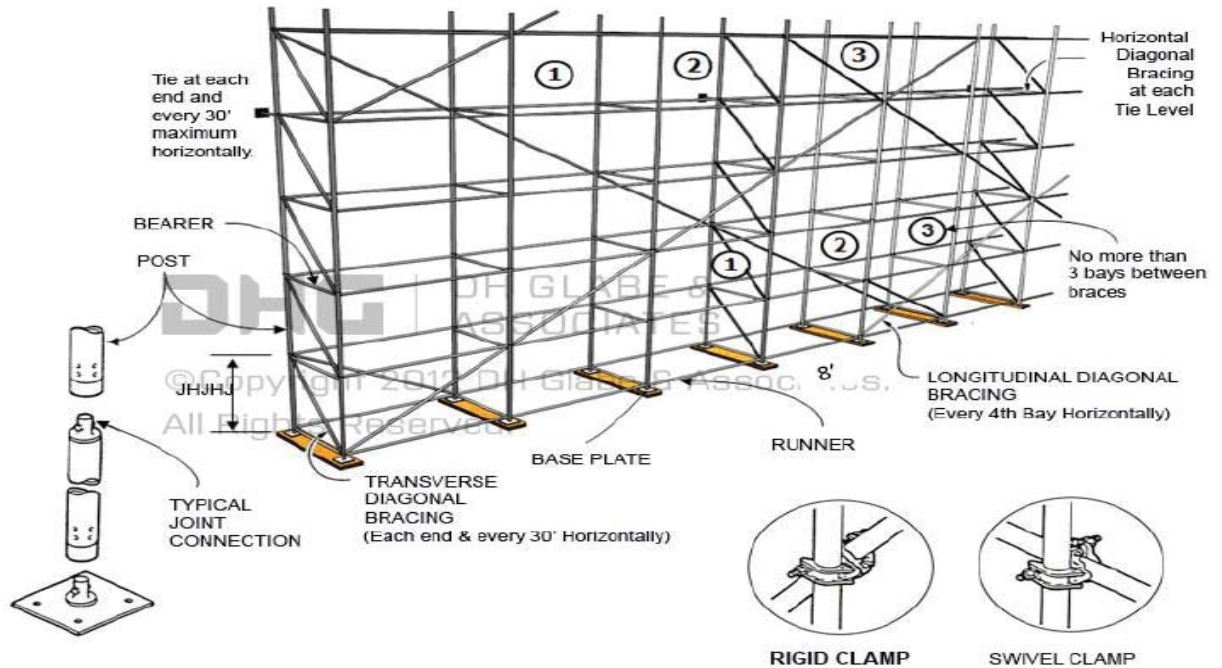
Doc no.: HSEP: 14-MAITREE:VENDOR

REV: 00

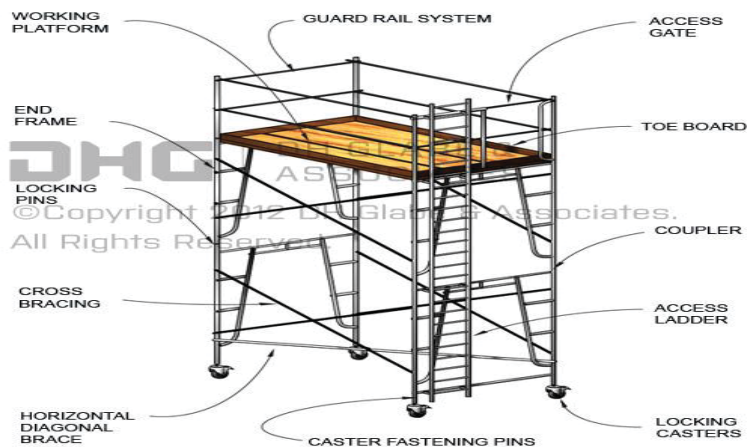
POWER SECTOR-EASTERN REGION

Date: 05.05.16

Page: 38 of 90



Rolling Scaffold –



**Scaffold Tagging:**

Scaffolds being erected, modified or dismantled must be tagged as suitable for use. The scaffolds can only be accessed by those involved with the process.

- GREEN scaffold tag- shall be fixed when scaffold is complete and safe for use, signed and dated by the scaffolding competent person daily.



**HEALTH, SAFETY AND ENVIRONMENT  
PLAN FOR SITE SUB-CONTRACTORS  
(MAITREE PROJECT)**

Doc no.: HSEP: 14-MAITREE:VENDOR

REV: 00

POWER SECTOR-EASTERN REGION

Date: 05.05.16

Page: 39 of 90

- RED scaffold tag – to be fixed if scaffold is in some way defective and cannot be used or is still under erection.

Examples of scaffold tags:



### 18.1 SAFE USE OF LADDERS.

- ❖ Fall protection is required when working on a ladder above 2 meters and when climbing above nearby guardrails.
- ❖ Ladders must be inspected prior to use and by a competent person quarterly, with documentation.
- ❖ Use portable ladders for height up to 4 M only
- ❖ Provide fixed ladders for height above 4 M
- ❖ Place the ladder at an angle of 75 degrees (approx) from the horizontal (1:4)
- ❖ Extend ladder at least 1 M above the top landing
- ❖ Secure top and bottom of the ladder firmly to prevent displacement- anti skid lining at the bottom
- ❖ Ensure that the width of the ladder is not less than 300 mm and distance between rungs is not more than 300 mm
- ❖ Provide landings of minimum size 600 x 600 mm at intervals not more than 6 M for fixed ladders. Check the ladders daily for any defects
- ❖ Ensure that the areas around base and top of the ladder are clear. Getting on and off the ladder is more hazardous than using it. Use a mudsill if the ladder is to rest on soft, loose or rough soil
- ❖ Do not use ladders of conducting material near power lines, and only use ladders near powerline or other energize system with exposed parts if they are confirmed locked-out and de-energized.



**HEALTH, SAFETY AND ENVIRONMENT  
PLAN FOR SITE SUB-CONTRACTORS  
(MAITREE PROJECT)**

Doc no.: HSEP: 14-MAITREE:VENDOR

REV: 00

POWER SECTOR-EASTERN REGION

Date: 05.05.16

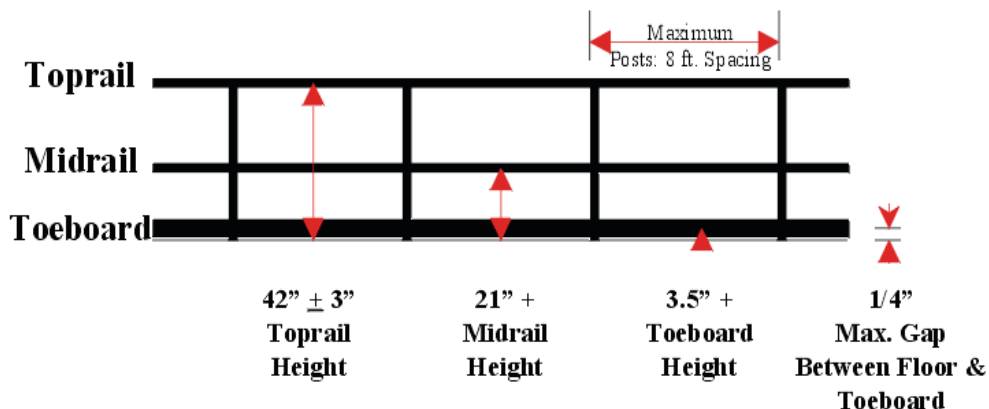
Page: 40 of 90

- ❖ Stand no higher than the fourth rung from the top for carrying out any job standing on a ladder.
- ❖ Never reach out from a ladder to perform work where your belt buckle protrude past the ladder rung.
- ❖ Always face the ladder while climbing up or down
- ❖ Maintain three point contact while climbing up or down a ladder i.e. two hands and one foot or two feet and one hand on the ladder at all the times.
- ❖ Avoid climbing up or down a ladder while carrying anything in hands. Lift tools, equipment and materials with a rope.
- ❖ Work from portable and extension ladders near guardrail where fall expose exist over the guardrail regardless of height, and above 2.0 mtr. heights from the working/walking surface will require the use of personal fall arrest equipment.

### 18.2 Precautions against the fall of materials and persons and collapse of structures

- ❖ Adequate precautions should be taken such as the provision of fencing, or barriers to protect any person who might be injured by the fall of materials, or tools or equipment being raised or lowered. Cradle may be used for lifting materials - however this shall be made of MS angles and flats only and duly certified by the HSE officer. Operators may also use designed containers for lifting small tools.
- ❖ Guardrails (including scaffolding) erected over/adjacent working areas must have the guardrails screened (opening < 0.5), to prevent material from falling outside the platform/decking.
- ❖ Guardrails must be able to withstand a 200 pound force exerted in any one direction.
- ❖ Where necessary to prevent danger, guys, stays or supports should be used or other effective precautions should be taken to prevent the collapse of structures or parts of structures that are being erected, maintained, repaired, dismantled or demolished.
- ❖ All openings through which workers are liable to fall should be kept effectively covered or fenced and indicated in the most appropriate manner.
- ❖ As far as practicable, guard-rails and toe-boards in accordance with Indian laws and regulations as depicted below:

### Guardrail system





**HEALTH, SAFETY AND ENVIRONMENT  
PLAN FOR SITE SUB-CONTRACTORS  
(MAITREE PROJECT)**

Doc no.: HSEP: 14-MAITREE:VENDOR

REV: 00

Date: 05.05.16

POWER SECTOR-EASTERN REGION

Page: 41 of 90

- ❖ Guardrails shall be provided to protect workers from falling from elevated work places. The rails are generally made of MS pipes of suitable dia. Rebar shall not be used for any handrails, ladder or cover purpose. Wherever the guard-rails and toe-boards cannot be provided:

- (a) adequate safety nets or safety sheets shall be erected and maintained; or
- (b) adequate safety harnesses shall be provided and used and or
- (c) adequate fall arrestor shall be provided and used.

As mentioned under PPE clause, all these PPEs shall be defect free and regularly inspected for any defect. The full body safety harness shall have double lanyard only with max 1.8m length.

The monkey ladders shall have sufficient fall arrestors. Adequate lifelines of 8mm steel wire rope shall be provided across the work area.

The HSE officer shall recommend appropriate PPEs after analysing hazards and risks involved.

### 18.3 Safety Nets:

- ❖ All safety net systems shall meet the requirements of Indian Standard (IS: 5175)
- ❖ Safety net mesh openings shall have a maximum size of 6 inches x 6 inches and be secured at each crossing to prevent elongation of the opening. All nets must meet IS: 5175 standard.
- ❖ Safety nets must be installed with sufficient clearance to prevent contact with the surface or structures under them
- ❖ Safety nets shall be installed as close as possible to the working level but in no case more than 25 feet below the working level.
- ❖ The safety nets shall extend out at least 8 ft. from the side of the open edge.
- ❖ Material, equipment and other items that fall into the net are to be promptly removed.
- ❖ Safety nets are to be inspected before use and then daily for wear or damage caused by falling materials.
- ❖ Safety net installation shall be inspected by a competent person.
- ❖ Safety nets must be installed below the working decks of the super structure for protection from falls of personnel and material.
- ❖ Safety nets and safety net installations must be drop-tested at the jobsite:
  - After initial installation and before being used.
  - Whenever relocated.
  - After major repair.
  - At 6-month intervals if left in one place.
- ❖ The drop test consists of a 400 pound bag of sand 28-32 inches in diameter dropped into the net from the highest surface at which employees are exposed to fall hazards, but not from less than than 42 inches above that level.
- ❖ When the employer can demonstrate that it is unreasonable to perform the drop-test described above, the employer or a designated competent person shall certify that the net and net installation have sufficient clearance and impact absorption by preparing a certification record prior to the net being used as a fall protection system. The certification must include:
  - Identification of the net and net installation.
  - Date that it was determined that the net and net installation were in compliance.
  - Signature of the person making the determination and certification.



**HEALTH, SAFETY AND ENVIRONMENT  
PLAN FOR SITE SUB-CONTRACTORS  
(MAITREE PROJECT)**

Doc no.: HSEP: 14-MAITREE:VENDOR

REV: 00

Date: 05.05.16

Page: 42 of 90

POWER SECTOR-EASTERN REGION

**19.0 SAFETY IN JETTY CONSTRUCTION:**

A jetty is to be constructed close to the power plant site over a river. The construction activity involves deployment of cranes and other lifting appliances – a few may be mounted on vessels.

Prior to taking up job at the identified space, a HIRA shall be prepared and corrective measures shall be prepared by an expert group. This shall be shared with the subcontractor/gang to be deployed for the job through meeting/TBM as well as proper documentations.

- The safety rules as described in clause 12.0 shall be followed for all safety appliances. However, the operators shall be certified specifically for operating the lifting appliances mounted on the vessels by the owner of the vessels or the lifting supervisor of the agency.
- The lifting appliances on vessels shall be fixed and securely anchored
- Lifting appliances/ mobile plant shall be kept away from dangerous locations such as openings, edges close to water.
- The operation zone shall be clearly demarcated and properly fenced off.

**19.1 SAFE USE OF LIFE JACKETS AND BUOYANCY AIDS:**

- Lifejackets/buoyancy aids should be provided to and worn by workers with risk of falling into water.
- Lifejackets/buoyancy aids should conform to BS EN ISO 12402-1, 2, 3 or 4, or other equivalent international standards according to working conditions
- Lifejackets should be thoroughly checked by the user before each use.



Efficient state:  
Green

Maintenance Record



**HEALTH, SAFETY AND ENVIRONMENT  
PLAN FOR SITE SUB-CONTRACTORS  
(MAITREE PROJECT)**

Doc no.: HSEP: 14-MAITREE:VENDOR

REV: 00

POWER SECTOR-EASTERN REGION

Date: 05.05.16

Page: 43 of 90

- A lifebuoy with sufficient lifeline (not less than 30 meters) shall be provided and the locations of the lifebuoys shall be at less than 50 metre intervals along the edges of places where work is being carried out overside or in exposed position on vessels where there is a reasonably foreseeable risk of falling or being washed overboard. To avoid any delays to rescue operations, lifebuoys shall be tightly tied to the posts.



- The lifejacket/ buoyancy aid shall preferably be provided with a self-activating light (for night work) in order to aid locating the wearer and facilitating rescue.
- The lifejackets /buoyancy aids shall be inspected and checked periodically by a competent person.



- The life jackets/ buoyancy aids shall be properly maintained in a good serviceable condition according to the manufacturer's instructions.
- All inflatable life jackets shall be serviced by an authorized person/agent at least once a year.

### **19.2 WORKING AT HEIGHT**

- Suitable guard-rails and toe-boards shall be installed at edges. Openings shall be properly covered where persons are liable to fall from height, to land surfaces or into water.
- Suitable working platforms, with suitable guard-rails and toe-boards, shall be provided for work at height. Safe means of access and egress shall be provided for the working platform.
- Safety harnesses with continuous and effective anchorage system shall be provided when it is impracticable to provide a suitable working platform, access and egress and safe place of work.
- Access and egress shall be sufficiently illuminated and free from any obstructions, openings, projections in order to avoid any slip, trip and fall.

### **20.0 NIGHT SHIFT OPERATION:**

Night shift operation shall be avoided to the extent possible, so shall be any complicated or heavy job. However, prior administrative approval shall be obtained from BHEL for such operation. The following shall be ensured:

- i. Adequate illumination along access, work area and egress



**HEALTH, SAFETY AND ENVIRONMENT  
PLAN FOR SITE SUB-CONTRACTORS  
(MAITREE PROJECT)**

Doc no.: HSEP: 14-MAITREE:VENDOR

REV: 00

POWER SECTOR-EASTERN REGION

Date: 05.05.16

Page: 44 of 90

- ii. Supervision
- iii. Issue of strict instruction to workmen not to stray away from the work area and earmarked approach
- iv. Non-deployment of women workforce
- v. Non-deployment of fatigued workforce
- vi. Vacating the area immediately on completion of the job
- vii. informing first-aid facility and ambulance in advance

#### 21.0 CONTROL OF MOVEMENTS AND USE OF HAZARDOUS SUBSTANCES AND CHEMICALS:

- ❖ The hazardous substances and chemicals shall be stored in a cool, well ventilated, dry and covered space with restricted entry only
- ❖ The loading, unloading, issue and use of these materials shall be strictly in accordance with the Material Safety Data Sheet (MSDS) and under strict supervision. Every supply shall accompany a MSDS as per standard purchase order clause.
- ❖ The site HSE team shall maintain MSDS of all these items and the same shall be shared with the stores or the user as and when required.
- ❖ Each container shall be labeled.
- ❖ The stores shall check the expiry date of perishable chemicals while receiving and store in such a fashion so as to follow First-in-first-out queue.
- ❖ There shall be enough space for movement of material and people in the stores.
- ❖ Containment shall be provided so as to arrest spillage from spreading.
- ❖ There shall be sufficient fire extinguishers and sand buckets in the stores and at point of use. In case of any spillage, dry sand shall be put on the spill and soaked sand shall be disposed as per the procedure for hazardous waste.
- ❖ There shall be provision of water preferably flowing one and a face shower at stores and point of use
- ❖ The persons handling these items shall strictly wear appropriate PPEs like leather gloves, apron, shield etc

**22.0 CHEMICAL CLEANING:** The chemicals have to be handled as instructed in MSDS. Only authorized person(s) shall be engaged for this job under strict supervision. The waste chemicals shall be drained out to a suitable storage provision and disposed off as per the relevant procedure. The area shall be barricaded while carrying out cleaning operation so as to prevent any unauthorized entry. Once the operation is completed, the surplus material along with the containers shall be returned to stores or scrap yard, as the case may be. The users shall use all appropriate PPEs and shall have water and sand for handling any incidental spillage or splash etc. The area shall be left completely clean before removing barricades.

#### 22.1 PAINTING

Requirements provide a detailed procedure to be implemented by all concerned employees and sub-contractors involved in painting activities.

##### Significant Environmental Hazards:

- Chemical hazard due to inhalation of lead fumes (lead containing paint)
- Chemical hazard due to inhalation of VOC's from painting operations
- VOC's from painting and coating operation
- Disposal of paints and coats drums

##### Control Procedure for Painting:

- Chemical products used in painting and coating operation shall have proper MSDS sheet in place. Whenever any doubt arise with respect to handling and safety point of view it should be accessed to all concerned.
- Toxic substances and hazards relate the toxic chemicals shall be indentified.
- Proper PPE shall be used including plastic gloves appropriate overall etc.,
- Arrangement for cleaning of spillage shall be ensured



**HEALTH, SAFETY AND ENVIRONMENT  
PLAN FOR SITE SUB-CONTRACTORS  
(MAITREE PROJECT)**

Doc no.: HSEP: 14-MAITREE:VENDOR

REV: 00

Date: 05.05.16

POWER SECTOR-EASTERN REGION

Page: 45 of 90

- In case of nauseating feeling by any one immediate action shall be taken
- Only trained workers shall be allowed and proper training should be imparted to the works.
- Exposure limits of the toxic substances shall be checked before starting the work and nobody shall be allowed to carry the work beyond the permissible limit.
- Ventilation or exhaust facility shall be provided at place where painting and coating operations are carried out.
- Overalls shall be supplied by the contractors/subcontractors to the workmen and adequate facilities shall be provided to enable the painters to wash at the cessation of work.
- Smoking, open flames or sources of ignition shall not be allowed in places where paints and other flammable substances are stored.
- A caution board in national /regional language "smoking strictly prohibited" shall be displayed in the vicinity.
- Suitable fire extinguishers/sand buckets shall be kept available at places where flammable paints are stored, handled or used.
- In case of indoor painting or painting in confined spaces, exhaust ventilating shall be provided. If adequate ventilation is not provided a proper respirator shall be provided and used by persons who are trained and fit tested.
- The VOC's from painting and coating operations shall not exceed the permissible level of CPCB/ SPCB norms. The paints and coats must be selected as per the guidelines.
- Workers shall thoroughly wash their hands and feet before leaving the work.

## **23.0 SAFETY IN THE USE OF HAND TOOLS AND POWER-OPERATED TOOLS**

### **23.1 General provisions**

- All hands and power tools and similar equipment, shall be maintained in safe condition.
- When power operated tools are designed to accommodate guards, they shall be equipped
- with such guards, when in use;
- Belts, gears, shafts, pulleys, sprockets, spindles, drums, fly wheels, chains and other reciprocating, rotating or moving parts of the equipment shall be similarly guarded;
- Personnel using hand and power tools and exposed to the hazard of falling, flying, abrasive, and splashing objects, or exposed to harmful dusts, fumes, mists, vapours, or gases shall be provided with the particular personal protective equipment necessary to protect them from the hazards;
- All hand-held powered platen sanders, grinders, grinders with wheels of 5 cm or less, routers, planers, laminate trimmers, nibblers, shears, scroll saws and jigsaws with blade shanks of 0.5 cm wide or less shall be equipped with only a positive on-off control.
- All hand-held powered drills, tappers, fastener drivers, horizontal, vertical or angle grinders with wheels greater than 5 cm in diameter, disc sanders, belt sanders, reciprocating saws, saber saws and other operating powered tools shall be equipped with a momentary contact on control provided that turnoff can be accomplished by a single motion of the same finger or fingers that turn it on.

### **23.2 Hand Tools**

- The contractor shall not issue or permit the use of unsafe hand tools;
- Wrenches including adjustable pipe end and socket wrenches shall not be used when jaws are sprung to the point that slippage occurs;
- Impact tools such as drift pins, wedges and chisels shall be kept free of mushroomed heads;
- The wooden handles of tools shall be kept free of splinters or cracks and shall be kept tight on the tools.

### **23.3 Power operated tools**

- Electric power operated tools shall be either of the approved double-insulated type or shall be grounded;
- The use of electric cords for hoisting or lowering loads shall not be permitted;



**HEALTH, SAFETY AND ENVIRONMENT  
PLAN FOR SITE SUB-CONTRACTORS  
(MAITREE PROJECT)**

Doc no.: HSEP: 14-MAITREE:VENDOR

REV: 00

Date: 05.05.16

Page: 46 of 90

POWER SECTOR-EASTERN REGION

- iii. Pneumatic power tools shall be secured to the hose or whip by some positive means to prevent the tool from becoming incidentally disconnected;
- iv. Safety clips or retainers shall be securely installed or maintained on pneumatic impact (percussion) tools to prevent attachments from being incidentally expelled;
- v. All pneumatically riveting machine staplers and other similar equipment provided with automatic fastener feed, which operate at more than 7 kg/cm<sup>2</sup> pressure at the tool a safety device on the muzzle to prevent the tool from ejecting the fasteners unless the muzzle is in contact with the work surface;
- vi. Compressed air shall not be used for cleaning purposes except when the pressure is reduced to less than 2 kg/cm<sup>2</sup> and that too with effective chip guarding. The 2 kg/cm<sup>2</sup> pressure requirement does not apply to concrete form, mill scale and similar cleaning purposes;
- vii. The manufacturer's safe operating for hoses, pipes, valves, filters and other fittings shall not be exceeded;
- viii. Only personnel who has been trained in the operation of the particular tool shall be allowed to operate power-actuated tools;
- ix. The tool shall be tested each day before loading to see that the safety devices are in proper working condition. The method of testing shall be accordance with the manufacturer's recommended procedure;
- x. Any tool found not in proper working order, or that which develops a defect during use, shall be immediately removed from service and not used until properly repaired;
- xi. Tools shall not be loaded until just prior to the intended firing time. Neither loaded nor empty tools are to be pointed at any other person. Hands shall be kept clear of the open barrel end;
- xii. Loaded tools shall not be left unattended;
- xiii. Fasteners shall not be driven into very hard or brittle materials including, but not limited to, cast iron, glazed tiles, surface hardened steel, glass block, live rock, face brick or hollow tiles;
- xiv. Driving into materials that can be easily penetrated shall be avoided unless backed by a
- xv. substance that will prevent the pin or fastener from passing completely through and creating a flying missile hazard on the other side;
- xvi. No fastener shall be driven into a palled area caused by an unsatisfactory fastening;
- xvii. Only non-sparking tools shall be used in an explosive or flammable atmosphere;
- xviii. All tools shall be used with the correct shield, guard or attachment as recommended by thee manufacturer.

**23.4 Abrasive wheels and tools**

- i. All grinding machines shall be supplied with sufficient power to maintain the spindle speed at safe levels under all conditions of normal operation;
- ii. Grinding machines shall be equipped with suitable safety guards;
- iii. The maximum angular exposure of the grinding wheel periphery and sides shall not be more than 900, except that when the work requires contact with the wheel below the horizontal plane of the spindle, the angular exposure shall not exceed 1200. In either case, the exposure shall begin not more than 8.650 above the horizontal plane of the spindle. Safety guards shall be strong enough to withstand the bursting of the wheel;
- iv. Floor and bench-mounted grinders shall be work-rests, which shall be rigidly supported and readily adjustable. Such work-rests shall be kept at a distance not to exceed 5 mm from the surface of the wheel;
- v. Cup type wheels used for external grinding shall be protected by either revolving cup guard or a band type guard;
- vi. When safety guards are required, they shall be mounted as to maintain proper alignment with the wheel and the guard and the guard and its fastening shall be adequate strength to retain the fragments of the wheel in case of incidental breakage. The maximum angular exposure of the grinding wheel periphery and sides shall not exceed 1800;
- vii. Portable abrasive wheel used for internal grinding shall be provided with suitable safety flanges;
- viii. When safety flanges are required, they shall be used only with wheels designed to fit the
- ix. flanges. Only safety flanges, of a type and design and properly assembled so as to ensure that the pieces of the wheel will be retained in case of incidental breakage, shall be used;



**HEALTH, SAFETY AND ENVIRONMENT  
PLAN FOR SITE SUB-CONTRACTORS  
(MAITREE PROJECT)**

Doc no.: HSEP: 14-MAITREE:VENDOR

REV: 00

POWER SECTOR-EASTERN REGION

Date: 05.05.16

Page: 47 of 90

- x. All abrasive wheels shall be closely inspected and ring tested before mounting to ensure that they are free from cracks or defects;
- xi. Grinding wheels shall fit freely on the spindle and shall not be forced on. The spindle nut shall be tightened only enough to hold the wheel in place;
- xii. All employees using abrasive wheels shall be protected by suitable eye protection equipment.

### 23.5 Woodworking tools

- i. All fixed power driven woodworking tools shall be provided with a disconnect switch that can either be locked or tagged in the **off-position**;
- ii. The operating speed shall be attached or otherwise permanently marked on all circular saws over 0.5 m in diameter or operating at over 3000 peripheral rpm. Any saw so marked shall not be operated at a speed other than that marked on the blade. When a marked saw is retensioned for a different speed, the marking shall be corrected to show the new speed;
- iii. Automatic feeding devices shall be installed on machines wherever the nature of the work will permit. Feeder attachments shall have the feed rolls or other moving parts covered or guarded so as to protect the operator from hazardous points;
- iv. All portable power driven circular saws shall be equipped with guards above and below the base plate or shoe. The upper guard shall cover the saw to the depth of the teeth, except for the minimum arc required to permit the base to be tilted for bevel cuts. The lower guard shall cover the saw to the depth of the teeth, except for the minimum arc required to allow proper retraction and contact with the work. When the tool is withdrawn from the work, the lower guard shall automatically and instantly return to the covering position.

23.6 Defective tools to be tagged out for maintenance, as **DEFECTIVE, DO NOT USE**, and sent to tool/store room for repair or to be discarded.

### 24.0 START UP, COMMISSIONING AND TESTING:

There are various activities involved prior to commissioning- the major ones are -Hydraulic Test, Steam Blowing, Charging of transformers, Boiler Light Up, Rolling and Synchronisation and Full loading of unit.

These activities shall be personally supervised by the site executive along with the commissioning engineer. The readiness of upstream and downstream system shall be ensured before taking up. These shall be handled strictly by the authorised persons only and the team shall be suitably briefed about the activity including hazards & risks involved and control plan by the concerned executive-in-charge before start. Entry of persons to the area of activity shall be suitably restricted and the emergency functions like Ambulance, first aid centre and Fire station shall be intimated about the plan well in advance. Tag-in/ Tag-out shall be in place while charging transformer and whenever necessary. Electricians with valid wiremen license only shall be permitted to work on power lines. The area and the passage shall be adequately illuminated.

### 25.0 DEMOLITION WORK

Before any demolition work is commenced and also during the process of the work the following shall be ensured:

- All roads and open areas adjacent to the work site shall either be closed or suitably protected.
- No electric cable or apparatus which is liable to be a source of danger nor a cable or an apparatus used by the operator shall remain electrically charged.
- All practical steps shall be taken to prevent danger to persons employed from the risks of fire or explosion or flooding. No floor, roof or other part of the building shall be so overloaded with debris or materials as to render them unsafe.



**HEALTH, SAFETY AND ENVIRONMENT  
PLAN FOR SITE SUB-CONTRACTORS  
(MAITREE PROJECT)**

Doc no.: HSEP: 14-MAITREE:VENDOR

REV: 00

Date: 05.05.16

Page: 48 of 90

POWER SECTOR-EASTERN REGION

## 26.0 EXCAVATION

Wherever there is open excavation in ground, they shall be fenced off by suitable railing and danger signals installed at night so as to prevent persons slipping into the excavations. All safety precautions shall be taken for foundation and other excavation marks as per IS-3764. Any excavation above 2m shall be considered as hazardous job.

## 27.0 ENVIRONMENTAL CONTROL

Environment protection has always been given prime importance by BHEL. Environmental damage is a major concern of the principal contractor and every effort shall be made, to have effective control measures in place to avoid pollution of Air, Water and Land and associated life. Chlorofluorocarbons such as carbon tetrachloride and trichloroethylene shall not be used. Waste disposal shall be done in accordance with the guidelines laid down in the project specification.

Any chemical including solvents and paints, required for construction shall be stored in designated bonded areas around the site as per MSDS.

In the event of any spillage, the principle is to recover as much material as possible before it enters drainage system and to take all possible action to prevent spilled materials from running off the site. BHEL shall use appropriate MSDS for clean-up technique

All contractors shall be responsible for the cleanliness of their own areas and must not pollute the ground, air and water.

BHEL shall ensure that noise levels generated by plant or machinery are as low as reasonably practicable. Where the contractor anticipates the generation of excessive noise levels from his operations the contractor shall inform to Construction manager of BHEL accordingly so that reasonable & practicable precautions can be taken to protect other persons who may be affected.

### 27.1 Water Supply and Wastewater Discharge Requirement

- Source of water is provided by client from the existing system.
- Wastage of water to be controlled by monitoring the required water for construction & domestic use and actual consumed.
- No contaminated water to be discharged in the storm water drain confirming the standard parameters before discharge. Proper approval to be taken if applicable as per [Bangladesh Environmental Standards](#)

### 27.2 Storm water runoff Management

- Expansion of existing plant, no existing drainage systems will be disturbed and damaged.
- No construction waste water to be discharged in the existing storm water drain or newly construction storm water drains.

### 27.3 Noise Mitigation

High noise is harmful to the human health and it can cause impairment if exposed for long duration at regular intervals, and also cause disruption in nearby communities.

- Noise monitoring shall be carried out in all construction locations periodically.
- Use of silent DG is allowed at site during construction.
- Low noise generation equipment's to be preferred
- Acoustic enclosure to be used in case noise level is high for particular equipment or system.
- Work areas where noise levels exceed the 85db shall be posted as hearing protection required.
- Use of PPEs / ear plug/ear muff for personnel entering into high noise area.
- Activities generation High noise will be planned in day shift.



**HEALTH, SAFETY AND ENVIRONMENT  
PLAN FOR SITE SUB-CONTRACTORS  
(MAITREE PROJECT)**

Doc no.: HSEP: 14-MAITREE:VENDOR

REV: 00

POWER SECTOR-EASTERN REGION

Date: 05.05.16

Page: 49 of 90

Noise Level Chart (As per Bangladesh Environmental Standards)

Parameter	Night Noise level dBA	Daytime Noise Level dBA
At 1-meter from each piece of equipment	85	85
At Property boundary	70	70

**27.4 Air pollution Control**

- Water sprinkling on road for suppression of fugitive dust to be done regularly.
- Startup and commissioning activities to be planned for compliance with contract, regulatory and permit requirements..(As per Bangladesh Environmental Standards)
- Required monitoring to be done in the respective work location as applicable.

**27.5 Land and Water Resource Protection**

- Only prior approved land by CUSTOMERL to be used during construction work.
- Contract clauses to be followed
- All hazardous substances will be stored with proper containment facilities to avoid any release into the water system, causing land/water contamination.

**28.0 HOUSEKEEPING**

- Keeping the work area clean/ free from debris, removed scaffoldings, scraps, insulation/sheeting wastage /cut pieces, temporary structures, packing woods etc. will be in the scope of the subcontractor. Such cleanings has to be done by subcontractor within quoted rate, on daily basis by an identified group. If such activity is not carried out by subcontractor / BHEL is not satisfied, then BHEL may get it done by other agency and actual cost along with BHEL overheads will be deducted from contractor's bill. Such decisions of BHEL shall be binding on the subcontractor
- Proper housekeeping to be maintained at work place and the following are to be taken care of on daily basis:
  - ❖ All surplus earth and debris are removed/disposed off from the working areas to identified locations.
  - ❖ Unused/Surplus cables, steel items and steel scrap lying scattered at different places/elevation within the working areas are removed to identified locations.
  - ❖ All wooden scrap, empty wooden cable drums and other combustible packing materials, shall be removed from workplace to identified locations. Sufficient waste bins shall be provided at
  - ❖ Different work places for easy collection of scrap/waste. Scrap chute shall be installed to remove scrap from high location.
  - ❖ Access and egress (stair case, gangways, ladders etc.) path should be free from all scrap and other hindrances.
  - ❖ Workmen shall be educated through tool box talk about the importance of housekeeping and encourage not to litter.
  - ❖ Labour camp area shall be kept clear and materials like pipes, steel, sand, concrete, chips and bricks, etc. shall not be allowed in the camp to obstruct free movement of men and machineries.
  - ❖ Fabricated steel structures, pipes & piping materials shall be stacked properly.
  - ❖ No parking of trucks/trolleys, cranes and trailers etc. shall be allowed in the camp, which may obstruct the traffic movement as well as below LT/HT power line.
  - ❖ Utmost care shall be taken to ensure over all cleanliness and proper upkeep of the working areas
  - ❖ The paint and thinner and other chemical containers (filled, partly used and empty) shall be carefully stored, used and tracked. All empty containers shall be removed after getting punctured/lid removed and deformed to the scrap yard. The partial used one shall either be returned to store or carefully kept at a corner much away from any hot work or source of fire.



**HEALTH, SAFETY AND ENVIRONMENT  
PLAN FOR SITE SUB-CONTRACTORS  
(MAITREE PROJECT)**

Doc no.: HSEP: 14-MAITREE:VENDOR

REV: 00

POWER SECTOR-EASTERN REGION

Date: 05.05.16

Page: 50 of 90

## 29.0 WASTE MANAGEMENT

There are operations on construction projects that may create hazardous waste, which would require handling, storage, transferring, and transporting. Therefore, hazardous waste guidelines apply for Hazardous Waste Planning:

### 29.1 Minimum Requirements:

- Contractors must designate a Material Manager who is responsible for checking delivered materials as potential hazardous waste and informing the Contractor's Safety Manager.
- Contractors who create, may be expected to create or could accidentally create a material that could be classified to be hazardous waste must provide Disposal number (or equivalent) and other pertinent information on file.
- All hazardous waste or waste which could be considered hazardous waste, as determined by the methodology and definitions from environmental regulators must be stored and collected in special areas and properly disposed of by the Contractor.
- No waste haulers, disposers, recyclers, or scavengers will be allowed on the site without the permission of the owner. It will be the responsibility of the Contractor to provide copies of all licenses, permits, and authorizations to the.
- No waste may be removed from the site by any person without the authorization of the Contractor. No waste may be brought onto the site and disposed of using the Contractor's systems or facilities.
- Burning of waste, if not used for generating energy, shall be generally prohibited

### 29.2 General Requirements

- For non-hazardous waste disposal. Receptacles e.g., dumpsters, etc. must be placed around the site for collection of waste materials. No material is to be abandoned on the site.
- Dumpsters will be inspected frequently, and any potentially hazardous material or waste will be removed from the dumpster and placed in the appropriate storage area at the expense of the responsible Contractor.

### 29.3 Definitions

- Solid Waste - Any garbage, refuse, sludge, or any other waste material which is not an "excluded waste."
  - The following solid wastes are not hazardous wastes unless otherwise designated as such by local authorities:
  - Fly ash waste, bottom ash waste, slag waste, and flue gas emission control waste generated primarily from the combustion of coal or other fossil fuels
  - Drilling fluids, produced waters, and other wastes associated with the exploration, development, or production of crude oil, natural gas, or geothermal energy.
- Other Waste Material - Any solid, liquid, semi-solid, or contained gaseous material, resulting from industrial, commercial, mining or agricultural operations which are discarded. This is usually an incidental by-product of the operation. Discarded material must be treated as follows:
  - Disposed of, and not used, reused, reclaimed, or recycled
  - Burned or incinerated, except where the material is being burned as a fuel for the purpose of recovering usable energy
  - Physically, chemically, or biologically treated (other than burned or incinerated) in lieu of or prior to being disposed of.



**HEALTH, SAFETY AND ENVIRONMENT  
PLAN FOR SITE SUB-CONTRACTORS  
(MAITREE PROJECT)**

Doc no.: HSEP: 14-MAITREE:VENDOR

REV: 00

Date: 05.05.16

Page: 51 of 90

POWER SECTOR-EASTERN REGION

- Excluded Waste - Materials that are not solid wastes. The following materials are not solid wastes for the purpose of this part:
  - Domestic sewage (“Domestic sewage” means untreated sanitary wastes that pass through a sewer system.)
  - Any mixture of domestic sewage and other wastes that passes through a sewer system to a publicly-owned treatment works for treatment
  - Industrial wastewater discharges that are point source discharges.

29.4 Treatment - Any method, technique, or process, including neutralization, designed to change the physical, chemical, or biological character or composition of any hazardous waste to neutralize such waste, to recover energy or material resources from the waste, or to render such waste non-hazardous.

29.5 Improper Disposal - The discharge, deposit, injection, dumping, spilling, leaking, or placing of any solid waste or hazardous waste into the environment.

29.6 Temporary Storage - The holding of a hazardous waste for a period less than 90 days, at the end of which the hazardous waste is properly disposed of.

**29.7 BINS AT WORK PLACE**

- Sufficient rubbish bins shall be provided close to workplaces.
- Bins should be painted yellow and numbered.
- Sufficient nos. of drip trays shall be provided to collect oil and grease.
- Sufficient qty. of broomsticks with handle shall be provided.
- Adequate strength of employees should be deployed to ensure daily monitoring and service for waste management.

**29.8 STORAGE AND COLLECTION**

- Different types of rubbish/waste should be collected and stored separately.
- Paper, oily rags, smoking material, flammable, metal pieces should be collected in separate bins with close fitting lids.
- Rubbish should not be left or allowed to accumulate on construction and other work places.
- Do not burn construction rubbish near working site.

**29.9 SEGREGATION**

- Earmark the scrap area for different types of waste.
- Store wastes away from building.
- Oil spill absorbed by non-combustible absorbent should be kept in separate bin.
- Clinical and first aid waste stored and incinerated separately.

**29.10 DISPOSAL**

- Sufficient containers and scrap disposal area should be allocated.
- All scrap bin and containers should be conveniently located.



**HEALTH, SAFETY AND ENVIRONMENT  
PLAN FOR SITE SUB-CONTRACTORS  
(MAITREE PROJECT)**

Doc no.: HSEP: 14-MAITREE:VENDOR

REV: 00

Date: 05.05.16

Page: 52 of 90

POWER SECTOR-EASTERN REGION

- Provide self-closing containers for flammable/spontaneously combustible material.
- Keep drainage channels free from choking.
- Make schedule for collection and disposal of waste.

**29.11 WARNING AND SIGNS**

- Appropriate sign to be displayed at scrap storage area
- No toxic, corrosive or flammable substance to be discarded into public sewage system.
- Waste disposal shall be in accordance with best practice.
- Comply with all the requirements of Pollution Control Board (PCB) for storage and disposal of hazardous waste.

**30.0 WORK VEHICLES (Limited to contractual provision)**

Work vehicle shall be as safe stable efficient and roadworthy as private vehicles on public roads. Site management shall ensure that drivers are minimum 18 years of age, physically fit, suitably qualified and trained for the equipment they are operating. All vehicle e.g. heavy motor vehicle forklift trucks dump trucks mobile cranes shall ensure that the work equipment conforms to the following:

- A high level of stability.
- Equipped with backup alarms.
- A safe means of access/egress.
- Suitable and effective service and parking brakes.
- Windscreens with wipers and external mirrors giving optimum all round visibility.
- Provision of horn, vehicle lights, reflectors, reversing lights, reversing alarms.
- Provision of seat belts.
- Guards on dangerous parts.
- Driver protection - to prevent injury from overturning and from falling objects/materials.
- Driver protection from adverse weather.
- No vehicle shall be parked below HT/LT power lines.
- Valid Pollution Under Control certification for all vehicles

**30.1 TRANSPORTATION OF PERSONNEL AND MATERIALS BY VEHICLES**

- All drivers shall hold a valid driving License for the class of vehicle to be driven and be registered as an authorized BHEL driver with the Administration Department.
- Securing of the load shall be by established and approved methods, i.e. chains with patented tightening equipment for steel/heavy loads. Sharp corners on loads shall be avoided when employing ropes for securing.
- All overhangs shall be made clearly visible and restricted to acceptable limits
- Load shall be checked before moving off and after traveling a suitable distance.
- On no account is construction site to be blocked by parked vehicles Drivers of vehicles shall only stop or park in the areas designate by the stringing foreman.
- Warning signs shall be displayed during transportation of material.  
All vehicles used by BHEL shall be in worthy condition and in conformance to the Land Transport requirement

**31.0 EMERGENCY PREPAREDNESS AND RESPONSE Preferably to be maintained jointly by all stake-holders in the project) ( A separate document titled "Emergency Preparedness and Response Plan bearing document no HSEP:EPRP:MAITREE is to be read along with this plan)Emergency preparedness and response plan requirements are to protect worker life and health, and to safeguard property used and stored on the project. This plan**



**HEALTH, SAFETY AND ENVIRONMENT  
PLAN FOR SITE SUB-CONTRACTORS  
(MAITREE PROJECT)**

Doc no.: HSEP: 14-MAITREE:VENDOR

REV: 00

POWER SECTOR-EASTERN REGION

Date: 05.05.16

Page: 53 of 90

is prepared in anticipation of an emergency to prevent losses to any Incident. This plan describes how the organization identifies, respond to and review emergency situations.

This plan covers fire, medical and other environmental incidents. It aims at controlling the emergency and generally mitigating the adverse effects of a major Incident. This plan is applicable to all activities carried at all BHEL project sites. Determination of hazard potential and identification and assessment of hazards is the first part in emergency planning. This requires systematic study of the site / plant to identify emergencies that can occur.

**31.1 Definition:**

A major emergency can be defined as an Incident that has potential to cause serious injury or loss of life. It may cause extensive property damage and adversely affect the environment as a whole.

**31.2 Emergency scenarios and General Guidelines:**

Various scenarios that are anticipated to cause emergency at BGRESL site are discussed in brief along with guidelines.

- **Personal injuries:**

In spite of putting best efforts some technical failure or human error may lead to personal injury at site. Guidelines are given below when personnel injuries happen:

- Contact medical center over phone/cell/radio;
- Contact security control room over phone/cell/radio;
- Contact HR/Admin department over phone/cell/radio;
- Tell your location nature of injury or near miss incident;
- Inform site safety department;
- Provide First Aid treatment if properly trained person is available, otherwise take the injured person to Medical center if practical; or
- Stay with the injured person until medical assistant arrives.

- **In case of fire:**

- Shout "fire fire";
- Inform the persons nearby. Contact Fire Center and give your location and other details as warranted and act very calmly and swiftly. Then contact security and safety department once in a safe location;
- Try to put out the fire by using available portable fire extinguisher if trained and fire is in incipient stage only, otherwise let firefighting personnel tend to it;
- Do not make any attempt to collect your belonging;
- Get out and away from the area immediately and walk do not run. Follow shortest escape route and assemble at assembly point; and
- Under no circumstance put your precious life at risk.

- Mishaps involving failures of crane, structures, equipment and vehicular incidents, etc., can also lead to an Emergency situation on construction sites. Guidelines for actions to be taken in case of such situations are as:

- Inform immediate authority and also inform security and safety departments.
- Try to assist in rescue personnel involved only if safe to do so;
- Cordon off the area to prevent entry of personnel in affected area;
- Security shall ensure movement in affected area in coordination with Section/Site In-charge.



**HEALTH, SAFETY AND ENVIRONMENT  
PLAN FOR SITE SUB-CONTRACTORS  
(MAITREE PROJECT)**

Doc no.: HSEP: 14-MAITREE:VENDOR

REV: 00

POWER SECTOR-EASTERN REGION

Date: 05.05.16

Page: 54 of 90

- Fire/Security service departments responding to affected area to contain and control the situation;
- All other personnel not involved in mitigation operation shall be directed to assembly point; and
- Contractor/ sub-contractor management shall ensure that their workmen are away from emergency site, not gathering around location of emergency.
  
- Toxic leakage from nearby live units can also lead to emergency situation at construction site. Guidelines for actions to be taken are as:
  - Inform immediate authority and also inform security and safety departments;
  - Evacuate all the personnel from the area immediately depending upon the wind direction to safest assembly point;
  - Call for help from fire and medical by phone/Cell/radio;
  - Arrange transport for any victims to medical Centre; and
  - Do not panic, act swiftly, do not run and proceed as per advice of emergency services.
  
- Bomb threat, sabotage, riot etc., also may lead to emergency situation at construction site. Such situation shall be dealt by HR/Admin and security department with the advice of Site In-charge.
  - Notification to the owner and authorizes to follow immediately.
  
- Natural calamities like earthquake, cyclone, and flood like situation can also lead to emergency situation at construction site. Site In-charge will act with required diligent and directive received from Concerned State Government, Corporate office and Owner.
  
- High Angle rescue -
  - First arrival. The first arriving HSE Officer should assume command after arriving on the scene;
  - HSE Officer should secure a witness as soon as possible after arriving on scene. This will help in identifying the problem and locating the victim;
  - Locate the victim to determine nature of injuries if any and report to Medical for response as needed.
  - Administer first aid to the victim as necessary;
  - Resuce team to use proper rescue kit / equipment to reach the victim;
  - Personnel manbasket or arial lift may be used to reach the vitim if applicable;
  - Assess the hazards. HSE Officer to identify all potential hazards and assist rescuers.
  - The HSE Officer will be responsible for securing those hazards or making all members aware of those hazards.
  - HSE Officer shall be made aware of the specific emergency action plans once the emergency response team arrives.
  - The HSE Officer shall also be responsible for assuring that all safety procedures are adhered to.

### 31.3 Communication system

An important key to effective emergency response is an effective communication system. At BHEL, site telephone, mobile and radios will be used for communication during emergency.

- Whosoever is observing any emergency shall inform about emergency to:
  - HR/Admin department
  - HSE-Head /Officers /
  - Medical and Security department
  - Fire department,



**HEALTH, SAFETY AND ENVIRONMENT  
PLAN FOR SITE SUB-CONTRACTORS  
(MAITREE PROJECT)**

Doc no.: HSEP: 14-MAITREE:VENDOR

REV: 00

POWER SECTOR-EASTERN REGION

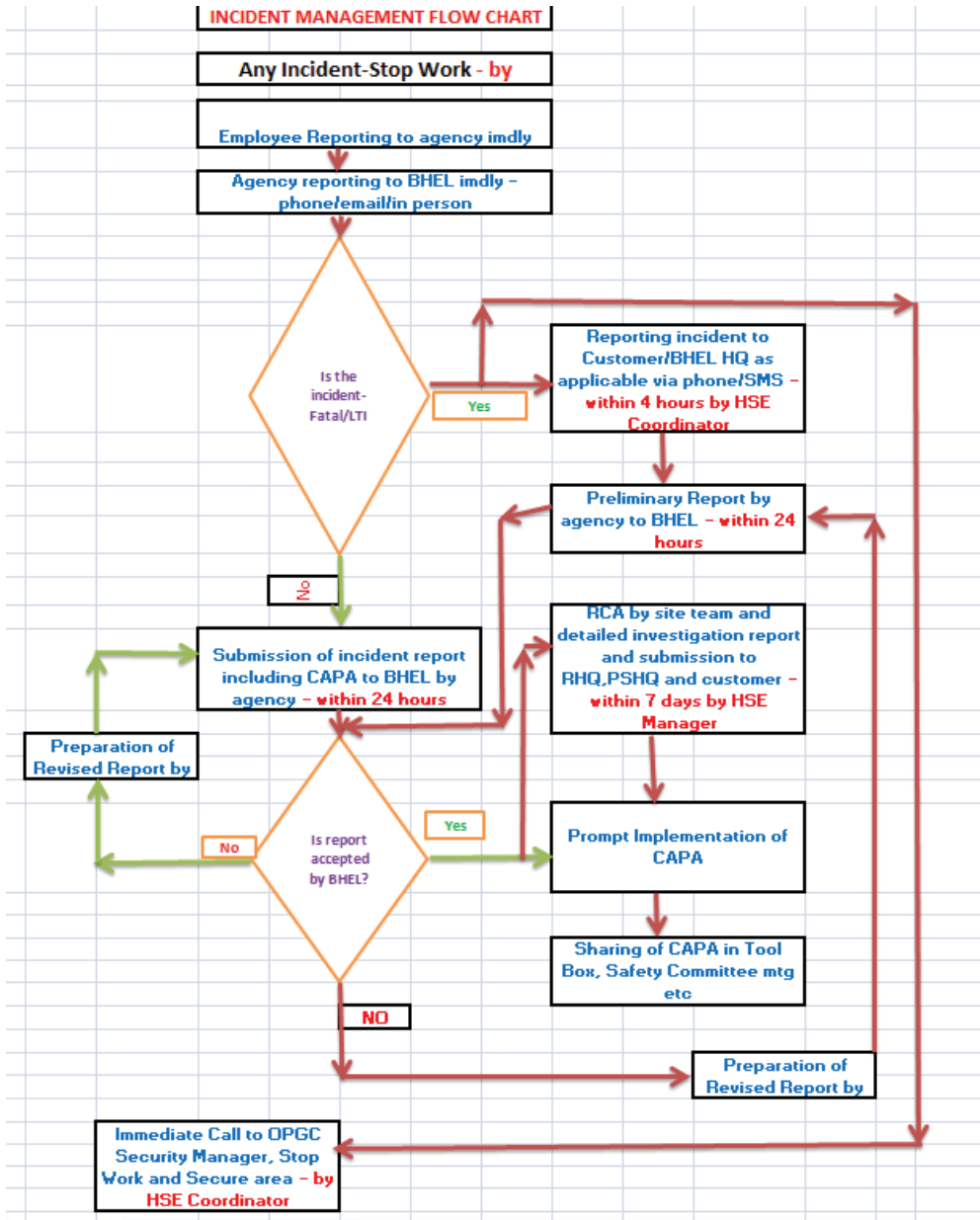
Date: 05.05.16

Page: 55 of 90

○ BHEL Site/Section In-charge

- BHEL Section In-charge will confirm the information with emergency services and also inform the Regional Manager as well as sub-contractors Site In-charge.

31.4 Communication matrix shall be as:





**HEALTH, SAFETY AND ENVIRONMENT  
PLAN FOR SITE SUB-CONTRACTORS  
(MAITREE PROJECT)**

Doc no.: HSEP: 14-MAITREE:VENDOR

REV: 00

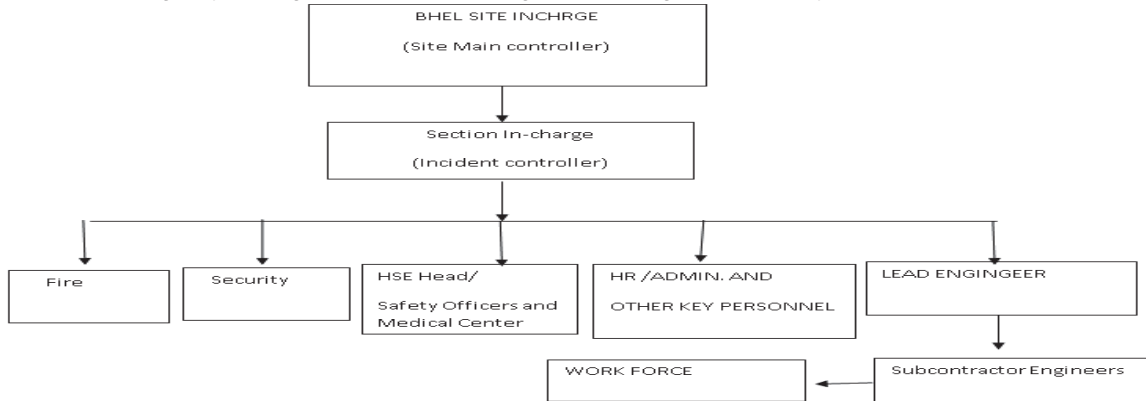
POWER SECTOR-EASTERN REGION

Date: 05.05.16

Page: 56 of 90

**31.5 Emergency Organization -**

An emergency organization establishment is based on nature of emergency at BHEL site. The matrix for the Emergency Management Team showing the reporting of various key members is as:



**31.6 List of Key Personnel -**

Sl. No.	Name	Designation	Telephone Number	Mobile number

**31.7 Emergency Control Center -**

For the coordination with emergency situations at BHEL site Site In-charge office shall operate as an Emergency Control Room. Site Main Controller (Site In-charge) will coordinate from this Emergency Control Room. Control Room shall be equipped with all necessary communication devises necessary to manage particular emergencies.

**31.8 Emergency Drills -**

The site HSE Manager and Emergency and Rescue Teams must participate in regular emergency drills of various types. The intervals between such drills must not exceed three months. The records of the drills must be prepared and kept on site for review by the Owner and site Management. The records must be reviewed during regularly scheduled project HSE Committee meetings.

- After each drill, a formal, documented debriefing must be conducted to discuss areas of improvement and an Action Plan developed with Responsible Person and Anticipated Completion Dates describing improvements to be implemented.



**HEALTH, SAFETY AND ENVIRONMENT  
PLAN FOR SITE SUB-CONTRACTORS  
(MAITREE PROJECT)**

Doc no.: HSEP: 14-MAITREE:VENDOR

REV: 00

POWER SECTOR-EASTERN REGION

Date: 05.05.16

Page: 57 of 90

31.9 Roles & Responsibility -

Responsibility of Site In-charge (Site Main Controller):

- Immediately on receiving message regarding emergency will proceed to their cabin and fill their role as Main Controller and activate the Emergency Control Room and Emergency Management Team.
- Take strategic and technical decisions in line with the incident scenario to mitigate the cause of emergency.
- Provide leadership and guidance to the Emergency Management Team.
- As soon an emergency call is received they shall inform respective Section In-charge.
- Call for available resources Fire, Medical, Security as needed based on emergency situation.
- Stay in contact with Section In-charge for coordination efforts of resources and evacuation of personnel.
- Ensure head count is conducted and received.
- Notify Owner representative of situation and plan.

Responsibility of Section In-charge (Area Controller):

- If not at the location, once notified of an emergency will proceed to the area and act as an incident controller if safe or as appropriate based on the nature of emergency.
- Will be overall in-charge of the area situation in consultation with emergency responding offices and mobilized resources in coordination with Main Controller.
- Will assess the situation and take necessary action to control the emergency and give necessary instruction to site personnel as necessary and appropriate.
- Will evaluate if fire emergency and attempt to extinguish if safe and in incipient stage and assist injured as applicable.
- Shall instruct the sub-contractors and ensure that all non-essential employees are moved to safe assembly point and organize head count.
- Ensure safe exvacuation of site personnel to safe assembly point in coordination with Main Controller.
- Shall keep in contact with Main Controller keep them informed about site situation and seek directives for mitigation of emergency.
- Communicate with shift Fire Officer of fire condition and rescue measures.
- Communicate with shift Security Officer assist in barricading the affected area.
- Communicate with shift Medical for transporting of casualties, if any.

Fire officer /shift Fire in charge:

- Respond to the emergency call with fire crew in first turn out. Report to Incident controller at site of emergency.
- Decide line of control action in consultation with Section In-charge/Incident Controller for firefighting and other control actions including evacuation of trapped personnel.
- Deploy auxiliary fire squad for assisting fire crew.
- Ensure safety of the crew members
- Keep in constant contact with Emergency Control Room and Team.

Security officer / In charge:



**HEALTH, SAFETY AND ENVIRONMENT  
PLAN FOR SITE SUB-CONTRACTORS  
(MAITREE PROJECT)**

Doc no.: HSEP: 14-MAITREE:VENDOR

REV: 00

Date: 05.05.16

Page: **58** of **90**

POWER SECTOR-EASTERN REGION

- Instruct and deploy security personnel at security posts/gates and around the affected area.
- Communicate with the auxiliary fire squad at emergency site immediately on receiving emergency call to ensure their mobilization.
- Cordon off the affected area and guide traffic /emergency vehicles and manage crowd control by dispersing unnecessary persons from the area.
- Ensure vigilance at security posts /gates and be in contact with area manager and other members connected with firefighting or rescue operation.
- Mobilize for evacuation of personnel to safe locations/assemble point.

**Medical Center:**

- Upon receiving notification of an emergency, anticipate the casualties and prepare accordingly as per medical response plan. Inform Medical Staff and nearest Hospital in advance.
- Dispatch ambulance to incident site along with necessary staff.
- Provide medical treatment/first aid as necessary.

**HR/Admin and HSE Teams:**

- Coordinate with Main Controller and all other Emergency Management Team members and Government agencies as per requirement.
- Identify appropriate Assembly Points at project site, provide directions and marked areas clearly.
- Assist with arrangement of necessary PPE and use of.
- Support the Emergency Management Team as directed and/or necessary based on situation.

**31.10 General Requirements:**

- Emergency preparedness and response capability of site shall be developed as per Emergency Preparedness and Response plan issued by Regional HQ
- Availability of adequate number of first aiders and fire warden shall be ensured with BHEL and its sub-contractors
- Assembly point shall be earmarked and access to the same from different location shall be shown in consultation with the owner
- Fire exit shall be identified and pathway shall be clear for emergency escape.
- Appropriate type and number of fire extinguisher shall be deployed as per Fire extinguisher deployment plan and validity shall be ensured periodically through inspection
- Adequate number of first aid boxes shall be strategically placed at different work places to cater emergency need. Holder of the first aid box shall be identified on the box itself who will have the responsibility to maintain the same.
- First aid center shall be developed at site with trained medical personnel and ambulance
- Emergency contact numbers (format given in EPRP) of the site shall be displayed at prominent locations.
- Tie up with fire brigade shall be done in case customer is not having fire station.
- Tie up with hospital shall be done in case customer is not having hospital.
- Emergency Organization group shall be formed at site.
- Mock drill shall be conducted on different emergencies periodically (every three months) to find out gaps in emergency preparedness and taking necessary corrective action



**HEALTH, SAFETY AND ENVIRONMENT  
PLAN FOR SITE SUB-CONTRACTORS  
(MAITREE PROJECT)**

Doc no.: HSEP: 14-MAITREE:VENDOR

REV: 00

POWER SECTOR-EASTERN REGION

Date: 05.05.16

Page: 59 of 90

### 31.11 WEATHER SEVERITY PLAN

#### A. OBJECTIVE AND SCOPE:

considering the over all monsoon and wind speed in the area the emergencies like cyclone and flood shall be considered from safety point of view during project work.

Warning/alerts issued by Bangladesh Meteorological department shall be acted upon by appropriate measures. These alerts are mostly conveyed to District Administration which in turn passes on to the owner of the project i.e. BIFPCL in this case. BIFPCL shall convey such alert to contractors. and coordinate appropriate response. Such alert is transmitted over Radio and TV channels also. However, contractors shall also remain alert to w3eather conditions and share with BHEL and fellow contractors any input received. Contractors shall actively participate in the Emergency Response activities

This safety plan provides procedure to be followed during emergency due to flood and cyclone for the period of entire project work with respect:

- To give clear guidance as to the actions that must be implemented.
- To inform employees what to do in an Emergency Scenario.
- To establish an emergency response and communications procedure.

#### B. RESPONSIBILITIES

RCM or his assignee shall coordinate with various departments in charge and supervisors, who will execute the alert procedures in their assigned areas. The coordination shall be in line with directives received from the Client/consultants.

#### C. CYCLONE

In the event of CYCLONE, alert warning is in three parts. The alert will be issued by BHEL Site Manager.

The actions required during cyclone/Rough Weather:

- Check and assist subcontractors in cleanup. Pick up all loose and unused material of respective supervisor's area
- Check tie-down arrangement is proper for all temporary structure, cranes and tall objects etc.
- Tie to secure all gas cylinders to avoid displacement and unsafe conditions which could be due to wind pressure.
- Secure portable electricity generating sets and other equipments, pumps, hoses etc.
- Make preparation for removal of water logging.
- Take review of work activity and make preparation for removal of equipments and material from all areas.
- Isolate/Turn off all electrical power from the main panel/switches. Secure and anchor panels properly.
- Recheck anchorage/tie of all temporary structures/sheds, tall objects, cranes, rigs, scaffolds etc to avoid toppling due to wind force.
- Cranes boom shall be either locked or lowered the booms as reasonably & practicably and rigs to safe position for the safety point of view.
- Group up all trash barrels, wooden pallets, forms; wooden decks etc. and anchor properly.
- Welding machines, air compressors, and such equipments are to be grouped together and secured to the stable objects. Welding leads, electrical cables, hoses are to be rolled up and secured properly.
- Set on site vehicles on high ground in the site area with brakes set firmly.
- Anchor all tanks, vessels, gas cylinders that may be moved by high wind and water.



**HEALTH, SAFETY AND ENVIRONMENT  
PLAN FOR SITE SUB-CONTRACTORS  
(MAITREE PROJECT)**

Doc no.: HSEP: 14-MAITREE:VENDOR

REV: 00

POWER SECTOR-EASTERN REGION

Date: 05.05.16

Page: 60 of 90

- Evacuate job site.

**D. PERSONNEL EVACUATION:**

Personnel Evacuation will be required if predicted wind speed and storm surge heights are beyond acceptable limits as per the guidelines of BHEL management.

Special cyclone shelter shall be arranged in consultation with BHEL management. This shelter shall be equipped with first aid kit and emergency kit containing torch, sufficient batteries, jackets, emergency treatment manual. The map of escape routes and other site specific instructions of emergency situations shall be prominently displayed in the shelter.

Once the warning received from Client/Consultant, the emergency response team shall evacuate and transport all personnel involved in the project to the cyclone shelter.

Cyclone may followed by the calm "EYE" be aware of it. If the wind suddenly drops, don't assume the cyclone is over. Violent wind may resume from the opposite side direction. Wait for the official "All clear Signal".

After the cyclone do not go outside until officially communicated about safe situation outside. Use recommended routs for returning. Do not panic or rush while returning.

Checking of gas leaks and wellbeing of electrical appliances is essential before leaving the site.

Listen to local radio for official warning and advice. The site manager shall also obtain updates from client/consultants/metrological departments and communicate to the personnel on project site.

**E. MONSOON:**

During monsoon following precautions needs to be considered.

- **Excavation:** Inspect all excavations and protect from collapsing or subsidence. Clear all excavated material.
- **Storm water drains:** Check all storm water drains ahead of monsoon for any blockage etc. Identify way for draining out water collected in the site. If required, temporary drains should be prepared for draining out accumulated water in site. The sufficient number of dewatering pumps should be available for the purpose and logged water shall be pumped to nearest drain by dewatering pumps.
- **Access Routes:** Identify access routes to the site in case of flood. Sand should be available to spread over slippery surface.
- **Electrical Supply:** Beforehand check earthing of electrical panels and electrical cables for joints, cracks, insulation failure etc. Keep additional stock of electrical cables and plug tops for replacement of damaged one or to energize dewatering pumps. Do not keep electrical cables/welding cables on the ground but route them above head level. Do not use welding / DB sheds as shelters. All electrical equipment shall be equipped with ELCBs/RCCBs.
- **Power Cable route demarking:** cable rout shall be demarked by either by temporary or permanent.
- **Scaffolding:** Check all scaffolds for stability after heavy rain/storm.



**HEALTH, SAFETY AND ENVIRONMENT  
PLAN FOR SITE SUB-CONTRACTORS  
(MAITREE PROJECT)**

Doc no.: HSEP: 14-MAITREE:VENDOR

REV: 00

Date: 05.05.16

Page: 61 of 90

POWER SECTOR-EASTERN REGION

- **Work restrictions:** Do not perform any height work, electrical work and rigging activities during rain. Lower the crane boom to avoid striking of lightning.
- **Vehicular movement:** Instruct the vehicle operators about following safety precautions during monsoon in daily tool box meeting, Slippery surface and road conditions, Speed limit, Wind shield wiper, Fog light, break condition is proper, break light is in proper condition & functioning. Not to take vehicle in loose soil.
  - **Lightening protection:** Boiler structure shall be facilitated with thunder protecting equipment.
  - **Workmen shed construction:** workmen rest shed shall be constructed in robust way. RCC pillar shall be used instead of brick pillar. It shall be facilitated with lightning arrestor as per site resource. However if the rest room is nearby high mast light. Lighting arrestor may or may not be provided.
  - **Field Training Programme on Lightening/Thunder: Dos or Dos not.**

**F. SAFETY PRECAUTIONS FOR SNAKE MENACE:**

**Preventive Measures –**

- ③ Remove vegetations around the site
- ③ Pour Carbolic acid around site boundaries in regular intervals to keep away poisonous snakes. . In summer and rainy season, frequency will be once a month and in other seasons, it will be once a quarter. It may be noted that as the location of the project is on a sand bed, there is almost no wild growths. Hence, Snake menace may not of significant severity and scale.

**Precautions to avoid snake bite –**

- ③ Avoid stepping out in the dark, especially during monsoon without safety shoes and torch.
- ③ Before wearing shoes, check inside the shoes for any snake/insect hiding inside. Similarly before lifting any material with hand lying on ground for long time, look for snake/insect handling inside. Wear leather hand gloves. Always check inside gunny bags, cartons, boxes before putting your hand in side or lifting them.
- ③ Be aware of your surroundings at all time. Never sit or step over obstacles without looking carefully. Never go near bushes for natural calls.
- ③ Don't chase snakes as they become aggressive. Never try to hit a snake or try to catch it, where there is one, there are likely others.
- ③ Never handle a snake, even if you think it is dead.

**Symptoms of Snake Bite –**

- ③ A pair of punctured mark, severe pain, Redness & swelling around bitten area
- ③ Victim gets nausea, vomiting sensation, sweating, disturbed breathing and increased salivation.

**Actions required in case of snake bite –**

- ③ Reassure the victim
- ③ Immobilize the bitten body part without compression.
- ③ Get the patient to hospital as fast as safely possible



**HEALTH, SAFETY AND ENVIRONMENT  
PLAN FOR SITE SUB-CONTRACTORS  
(MAITREE PROJECT)**

Doc no.: HSEP: 14-MAITREE:VENDOR

REV: 00

POWER SECTOR-EASTERN REGION

Date: 05.05.16

Page: 62 of 90

- ③ Tell the doctor any of the symptoms appearing on the way to the hospital.

**Snakebite Emergency: DO's and DON'Ts**

**Do's:**

- ③ Avoid yourself and victim from the risk of second bite.
- ③ Remove tight clothing, shoes, watch or ring near bitten area before swelling starts. Calm the victim. Tell victim that virtually all snakebites are successfully treated. Panic can increase the danger to the victim by inducing rapid heartbeat.
- ③ Clean / disinfect bite area thoroughly, apply hard direct pressure with gauze pad over bite area, soak gauze pad with Betadine if possible before application and strap pad tightly in place with adhesive tape
- ③ Wrap affected extremity with 2" – 3" elastic bandaging as tightly as one would for sprain, keep the affected extremity positioned at or as close to heart level as possible and immobilize affected extremity; use a splint if possible.
- ③ Get medical attention as soon as possible
- ③ Ensure the availability of anti venom serum in the hospital.

**Don'ts:**

- ③ Do not bleed the wound, cut or increase bite marks or put ice on the bite
- ③ Do not eat or drink anything and engage in strenuous physical activity
- ③ Do not apply oral suction to bite
- ③ Do not take alcoholic beverage or any self medication
- ③ Do not apply cold / hot packs or burn wound
- ③ Do not delay seeking medical attention
- ③ Do not remove dressings/elastic wrap until at hospital

**G. EMERGENCY CONTACT LIST:**

Following emergency contact numbers shall be available / displayed at site and updated regularly.

**Emergency Contact Numbers**

**(Contact numbers to be filled by Site Management)**

Client	
	Project Manager
	Plant Safety Manager
	OPGC Fire Services
	Medical and Ambulance Services
	ADMIN-OPGC
	Security- OPGC



**HEALTH, SAFETY AND ENVIRONMENT  
PLAN FOR SITE SUB-CONTRACTORS  
(MAITREE PROJECT)**

Doc no.: HSEP: 14-MAITREE:VENDOR

REV: 00

POWER SECTOR-EASTERN REGION

Date: 05.05.16

Page: 63 of 90

<b>BHEL</b>		
	RCM	
	Safety Manager	
	HSE COORDINATOR	
	HR-ADMIN	
<b>SUB-CONTRACTOR</b>		
	RCM	
	Project Manager	
	Safety Manager	
	Ambulance	
	HR-ADMIN	
<b>Emergency Services</b>		
	Near Hospital	
	Near Fire Station	
	Ambulance Service	
	Police Station	

**32.0 HSE INSPECTION**

Inspection on HSE for different activities being carried out at site shall be done to ensure compliance to HSEMS requirements. The subcontractor shall maintain and ensure necessary safety measures as required for inspection and tests HV test, Pneumatic test, Hydraulic test, Spring test, Bend test etc as applicable, to enable inspection agency for performing Inspection. If any test equipment is found not complying with proper safety requirements then the Inspection Agency may withhold inspection, till such time the desired safety requirements are met.

**32.1 DAILY HSE CHECKS**

Both the Site Supervisors and safety officer of Subcontractor are to conduct daily site Safety inspection around work activities and premises to ensure that work methods and the sites are maintained to an acceptable standard. The following are to form the common subjects of a daily safety inspection:



**HEALTH, SAFETY AND ENVIRONMENT  
PLAN FOR SITE SUB-CONTRACTORS  
(MAITREE PROJECT)**

Doc no.: HSEP: 14-MAITREE:VENDOR

REV: 00

Date: 05.05.16

Page: 64 of 90

POWER SECTOR-EASTERN REGION

- Personal Safety wears & gear compliance.
- Complying with site safety rules and permit-to-work (PTW).
- Positions and postures of workers.
- Use of tools and equipment etc. by the workers.
- The inspection should be carried out just when work starts in beginning of the day, during peak activities period of the day and just before the day's work ends.

### 32.2 INSPECTION OF PPE

- PPEs shall be inspected by HSE officer at random once in a week as per format no. HSEP:14-F06 for its compliance to standard and compliance to use and any adverse observation shall be recorded in the PPE register.
- The applicable PPEs for carrying out particular activities are listed below.

### 32.3 INSPECTION OF T&Ps

- A master list of T&Ps shall be maintained by each subcontractor.
- All T&Ps being used at site shall be inspected by HSE officer once in a month as per format no. HSEP:14-F07 for its healthiness and maintenance.
- The T&Ps which require third party inspection shall be checked for its validity during inspection. The third party test certificate should be accompanied with a copy of the concerned competent person's valid qualification record.
- The validity of T&P shall be monitored as per "Status of T&Ps" format no. HSEP:14-F08

### 32.4 INSPECTION OF CRANES AND WINCHES

- Cranes and winches shall be inspected by the operator through a daily checklist for its safe condition (as provided by the equipment manufacturer) before first use of the day.
- Cranes and Winches shall be inspected by HSE officer once in a month as per format no. HSEP:14-F09 for healthiness, maintenance and validity of third party inspection.
- The date of third party inspection and next due date shall be painted on cranes and winches.
- The operators/drivers shall be authorized by sub-contractor based on their competency and experience and shall carry the I-card.

### 32.5 INSPECTION ON HEIGHT WORKING

- Inspection on height working shall be conducted daily by supervisors before start of work to ensure safe working condition including provision of
  - Fall arrestor
  - Lifelines
  - Safety nets
  - Fencing and barricading
  - Warning signage
  - Covering of opening
  - Proper scaffolding with access and egress.
  - Illumination
- Inspection on height working shall be conducted once in a week by HSE officer as per format no. HSEP:14-F10



**HEALTH, SAFETY AND ENVIRONMENT  
PLAN FOR SITE SUB-CONTRACTORS  
(MAITREE PROJECT)**

Doc no.: HSEP: 14-MAITREE:VENDOR

REV: 00

POWER SECTOR-EASTERN REGION

Date: 05.05.16

Page: 65 of 90

- Medical fitness of height worker shall be ensured.
- Height working shall not be allowed during adverse weather.

**32.6 INSPECTION ON WELDING AND GAS CUTTING OPERATION**

- Supervisor shall ensure that no flammable items are available in near vicinity during welding and gas cutting activity.
- Gas cylinders shall be kept upright.
- Use of Flash back arrestor shall be ensured at both ends.
- Inspection during welding and gas cutting operations shall be carried out by HSE officer once a month as per format no. HSEP:14-F11.
- Use of fire blanket to be ensured to avoid falling of splatters during welding or gas cutting operation at height.
- Availability of fire extinguisher at vicinity shall be ensured.

**32.7 INSPECTION ON ELECTRICAL INSTALLATION / APPLIANCES**

- Ensure proper earthing in electrical installation
- Use ELCB at electrical booth
- Electrical installation shall be properly covered at top where required
- Use appropriate PPEs while working
- Use portable electrical light < 24 V in confined space and potentially wet area.
- Monthly inspection shall be carried out as per format no. HSEP:14-F12.

**32.8 INSPECTION OF ELEVATOR**

- Elevators shall be inspected by concerned supervisors once in a week as per format no. HSEP:14-F13.
- All elevators shall be inspected by competent person and validity shall be ensured.
- The date of third party inspection and next due date shall be painted on elevator.

**33.0 HSE PERFORMANCE EVALUATION:**

HSE performance of the subcontractor shall be monitored as per the following parameters: (For each contract-wise package). PERIODICITY: RA Bill period

Sl. No.	Parameters of measurement	Ref Clauses	Weightage	Actual
1	Availability of safety officers at site – absence up to 15% permissible. Score proportionately gets reduced with higher rate of absence. Availability to be reckoned from start date of manpower mobilisation	7.0,7.1	10	
2	Attendance by the safety officer and site CM (as applicable) in the meeting convened by BHEL	7.2.1 and 7.2.2	5	
3	Level of compliance w.r.t decisions taken in previous meetings/audit/inspection/as reported.	32.0,35.0,36.0	5	
4	Timely submission of monthly report on safety in the prescribed format		3	
5	Timely reporting any incident including near-miss to BHEL /Customer/statutory authority( if required) and submission of investigation report of all LTIs/ Major Property Loss incident and HSE events	10.0	10	



**HEALTH, SAFETY AND ENVIRONMENT  
PLAN FOR SITE SUB-CONTRACTORS  
(MAITREE PROJECT)**

Doc no.: HSEP: 14-MAITREE:VENDOR

REV: 00

POWER SECTOR-EASTERN REGION

Date: 05.05.16

Page: 66 of 90

6	Degree of PPE compliance, Fall protection arrangements and safety net coverage	8.3, 19.2,19.3	15	
7	Level of compliance w.r.t safety rules	11.0 to 26.0	25	
8	Availability of proper first-aid facility , ambulance, hygienic labour colony and other adequate labor welfare initiatives, conducting of health check-up as per BOCW requirements	8.4	6	
9	Conducting induction training ,skill training, tool box meeting, mock-drills, HSE Promotion, Emergency Preparedness and Response. Participation in BHEL training also counted	9.0, 31.0	6	
10	Level of House-keeping, Environmental Control	27.0, 28.0, 29.0	10	
11	Level of general illumination	8.4.11	5	
<b>A</b>	<b>TOTAL Obtained</b>		100	

Penalty score:

- i. For each fatality: -10
- ii. For each Major Incident: -07

NET TOTAL score will be arrived after deducting penalty score from Total score.

**33.1 HSE PENALTIES/ REWARDS (Performance Related)**

- Suitable HSE reward system shall be developed at site level to promote HSE compliance amongst workmen.
- To decide HSE reward performance towards HSE shall be evaluated for workmen and it shall be awarded regularly in public gathering.
- If safety record of the subcontractor in execution of the awarded job is to the satisfaction of safety department of BHEL, issue of an appropriate certificate to recognize the safety performance of the subcontractor may be considered by BHEL after completion of the job.

33.2 PENALTIES AGAINST SPECIFIC NON-COMPLIANCE WITH HSE RULES/ INCIDENTS: (To be operated in addition to any other deduction on unsatisfactory HSE performance under relevant clause in the contract)

S. No	Nature of Non - Compliance	Penalty in Rs.	Remarks
1.	Not wearing safety helmet/ safety shoes/ welding shield	250	Per lapse/ Person/ day
2.	Not wearing double lanyard full body harness while working at height (> 2 metres)or not anchoring to lifeline/ not providing fall arrestor/ safety net Using defective or non-standard or uninspected scaffolding/ scaffolding not properly supported Using defective ladders/ drums for work at height	1000	Per Person/ lapse/day or per lapse/day
3.	Not wearing gloves/ goggle/earplug/nose mask/ apron	250	Per lapse/ Person/ day
4.	Not using 24 V supply for lighting in confined spaces	500	Per occasion



**HEALTH, SAFETY AND ENVIRONMENT  
PLAN FOR SITE SUB-CONTRACTORS  
(MAITREE PROJECT)**

Doc no.: HSEP: 14-MAITREE:VENDOR

REV: 00

Date: 05.05.16

Page: 67 of 90

POWER SECTOR-EASTERN REGION

5.	Improper earthing of welding & Other electrical machines and DBs/ no ELCB/ no rubber mat/ not properly covered/ person without valid wireman license/ no Tag in-Tag out	500	Per lapse/ Machine
6.	Electrical plug not used for connection/ loose insertion	200	Per connection
7.	Using damaged slings or not slinging properly/ damaged hooks/ slings without any identification mark/	1000	Per event Per T&P
8.	Use of lifting equipments including cage or man-basket without having valid Test certificate / without SLI display	5000	Per equipment
9.	Using frayed/ broken welding cables / not using double insulation electrical cable	500	Per machine
10.	Non removal of scrap from work areas and shift to scrap yard/ not providing bins/ improper house keeping	1000	Per location
11.	Lifting cylinders without cage or rolling of cylinders	500	Per occasion
12.	Gas cutting without flash back arrestor at both ends	200	Per machine
13.	Gas cutting at height without sheet below/ barricade at level below ( Spark falling from height)	500	Per event
14.	Not having valid driving license for the type of vehicle/ T&P/operator identification card/ rash driving or operation/ not having safety devices like reverse horn & light/ overload switch	500	Per driver / operator
15.	Not providing proper barricades / signage/ unauthorized excavation or barricading	500	Per location per day
16.	Not keeping filled gas cylinders vertically/ mix-up of cylinders/ using broken or damaged manifold/ using domestic LPG cylinder	500	Per occasion
17.	Activity carried out without valid safety work permit	1000	Per occasion
18.	Not carrying out mandatory health check up/ not maintaining First aid box/ centre properly	1000	Per occasion
19.	Non reporting of incident in time / completion of CAPA in time	1000	Per occasion
20.	Non-display of emergency numbers/ non-availability of sufficient fire-extinguishers/ insufficient display of safety posters/ insufficient initiative for safety promotion like TBM	1000	Per occasion



**HEALTH, SAFETY AND ENVIRONMENT  
PLAN FOR SITE SUB-CONTRACTORS  
(MAITREE PROJECT)**

Doc no.: HSEP: 14-MAITREE:VENDOR

REV: 00

Date: 05.05.16

Page: 68 of 90

POWER SECTOR-EASTERN REGION

- If principal customer or statutory and regulatory bodies impose penalty on ground of statutory non-compliance or non-compliance of HSE rules by the subcontractor or any incident of any nature including fatality or permanent disability, the same shall be passed on to the subcontractor with appropriate overhead
- The penalty amount shall be recovered from subcontractors from the RA Bill, otherwise Final bill.
- The list of non-compliances is not exhaustive. The site CM has liberty to impose a penalty for any other non-compliance and incidents of any nature including fatality and permanent disability.

**340 OTHER REQUIREMENTS**

- In case of any delay in completion of a job due to mishaps attributable to lapses by the subcontractor, BHEL shall have the right to recover cost of such delay from the payments due to the subcontractor, after notifying the subcontractor suitably.
- If the subcontractor fails to improve the standards of safety in its operation to the satisfaction of BHEL after being given reasonable opportunity to do so and/or if the subcontractor fails to take appropriate safety precautions or to provide necessary safety devices and equipment or to carry out instruction regarding safety issued by BHEL, BHEL shall have the right to take corrective steps at the risk and cost of the subcontractor after giving a notice of not less than 7 days indicating the steps that would be taken by BHEL.
- If the subcontractor succeeds in carrying out its job in time without any fatal or disabling injury incident and without any damage to property BHEL may, at its sole discretion, favorably consider to reward the subcontractor suitably for the performance.
- In case of any damage to property due to lapses by the subcontractor, BHEL shall have the right to recover the cost of such damages from the subcontractor after holding an appropriate enquiry.
- The subcontractor shall take all measures at the sites of the work to protect all persons from incidents and shall be bound to bear the expenses of defense of every suit, action or other proceeding of law that may be brought by any persons for injury sustained or death owing to neglect of the above precautions and to pay any such persons such compensation or which may with the consent of the subcontractor be paid to compromise any claim by any such person, should such claim proceeding be filed against BHEL, the subcontractor hereby agrees to indemnify BHEL against the same.
- The subcontractor shall not employ men below the age of 18 years and women on the work of painting with products containing lead in any form. Wherever men above the age of 18 are employed on the work of lead painting, overalls shall be supplied by the subcontractor to the workmen and adequate facilities shall be provided to enable the working painters to wash during the cessation of work.
- The subcontractor shall notify BHEL of his intention to bring to site any equipment or material which may create hazard.
- BHEL shall have the right to prescribe the conditions under which such equipment or materials may be handled and the subcontractor shall adhere to such instructions.
- BHEL may prohibit the use of any construction machinery, which according to the organization is unsafe. No claim for compensation due to such prohibition will be entertained by BHEL.



**HEALTH, SAFETY AND ENVIRONMENT  
PLAN FOR SITE SUB-CONTRACTORS  
(MAITREE PROJECT)**

Doc no.: HSEP: 14-MAITREE:VENDOR

REV: 00

POWER SECTOR-EASTERN REGION

Date: 05.05.16

Page: 69 of 90

### 35.0 HSE AUDIT/INSPECTION

- Regular HSE Audit/inspection shall be carried out by Subcontractor as per Site HSE audit calendar.
- HSE checklist(**Annexure 02**)shall be used for carrying out audit/inspection and report shall be submitted to BHEL site mangement
- All non-conformities and observations on HSE identified during internal or external HSE audit shall be disposed off by site in a time bound manner and reported back the implementation status
- Corrective action and Preventive action on HSE issues raised by certification body issued by Regional HQs shall be implemented by site and reported to Site management.

### 36.0 MONTHLY HSE REVIEW MEETING

- Site shall hold HSE review meeting every month to discuss and resolve HSE issues of site and improve HSE performance. It will also discuss the incidents occurred since previous meeting, its root cause and Corrective action and Preventive action. The agenda is given below:
  - Implementation of earlier MOM
  - HSE performance
  - HSE inspection
  - HSE audit and CAPA
  - HSE training
  - Health check-up camp
  - HSE planning for the erection and commissioning and installation activities in the coming month
  - HSE reward and promotional activities
- The meeting shall be chaired by Construction Manager, convened by HSE coordinator and attended by all HOS, Site In charge of Subcontractors and HSE officer of Subcontractors. MOM on the discussion will be circulated to the concerned for implementation.

### 37.0 FORMATS USED (Details available in Annexure-04) (subject to revisions any time during the contract)

SL. No.	Format Name	Format No.	Rev No.
01	Inspection of First Aid Box	HSEP:14-F01:MAITREE	00
02	Health Check Up	FORM-26	00
03	HSE Induction Training	HSEP:14-F03	00
04	Tool Box Talk	HSEP:14-F04	00
05	MONTHLY HSE REPORT AND HSE INDICES	HSEP:14-F05	00
06	Inspection of PPE	HSEP:14-F06	00



**HEALTH, SAFETY AND ENVIRONMENT  
PLAN FOR SITE SUB-CONTRACTORS  
(MAITREE PROJECT)**

Doc no.: HSEP: 14-MAITREE:VENDOR

REV: 00

Date: 05.05.16

Page: 70 of 90

POWER SECTOR-EASTERN REGION

07	Inspection of T&Ps	HSEP:14-F07	00
08	Status of T&Ps	FORM-24	00
09	Inspection of Cranes and Winches	HSEP:14-F09	00
10	Inspection on Height Working	HSEP:14-F10	00
11	Inspection on Welding & Gas Cutting	HSEP:14-F11	00
12	Inspection on Electrical Installation	HSEP:14-F12	00
13	Inspection on Elevator	HSEP:14-F13	00
14	Hse Performance and Penalty	HSEP:14-F14	00
15	incident / property damage /fire incident report	HSEP:14-F15	00
16	Crane operators Identification cum Authorization	HSEP:14-F16	
17	List of T&P	FORM-24	00
18	WORK PERMIT- EXCAVATION (DEEP)	HSEP:14-F18	00
19	WORK PERMIT- RADIATION	HSEP:14-F19	00
20	WORK PERMIT- CONFINED SPACE	HSEP:14-F20	00
21	WORK PERMIT- WORK-AT-HEIGHT (ABOVE 1.8M)	HSEP:14-F21	00



**HEALTH, SAFETY AND ENVIRONMENT  
PLAN FOR SITE SUB-CONTRACTORS  
(MAITREE PROJECT)**

Doc no.: HSEP: 14-MAITREE:VENDOR

REV: 00

POWER SECTOR-EASTERN REGION

Date: 05.05.16

Page: 71 of 90

**36.0 ANNEXURES**

**ANNEXURE 01**

As per Rule 76(2):

(1) The first-aid box shall be distinctively marked with a GREEN Cross and shall contain the following items, namely:

**(a) For establishments in which the number of contract labour employed does not exceed fifty, each first aid box shall contain the following equipment:**

(i)	6 small sterilized dressings
(ii)	3 medium size sterilized dressings
(iii)	3 large size sterilized dressings
(iv)	6 pieces of sterilized eye pads in separate sealed packets.
(v)	6 roller bandages 10 cm wide.
(vi)	6 roller bandages 5 cm wide.
(vii)	One tourniquet
(viii)	A supply of suitable splints
(ix)	Three packets of safety pins.
(x)	Kidney tray.
(xi)	3 large sterilized burn dressings.
(xii)	1 (30ml) bottle containing a two percent alcoholic solution of iodine
(xiii)	1 (30 ml) bottle containing Sal volatile having the dose and mode of administration indicated on the label
(xiv)	1 snake bite lancet
(xv)	1 (30gms) bottle of potassium permanganate crystals.
(xvi)	1 pair scissors
(xvii)	A bottle containing 100 tablets (each of 5 grains) of aspirin
(xviii)	Ointment for burns
(xix)	A bottle of suitable surgical anti-septic solution
(xx)	3 packets of ORS

(2) Adequate arrangement shall be made for immediate recoupment of the equipment when necessary.



**HEALTH, SAFETY AND ENVIRONMENT  
PLAN FOR SITE SUB-CONTRACTORS  
(MAITREE PROJECT)**

Doc no.: HSEP: 14-MAITREE:VENDOR

REV: 00

POWER SECTOR-EASTERN REGION

Date: 05.05.16

Page: 72 of 90

**ANNEXURE 02**

**HSE AUDIT/INSPECTION CHECKLIST CUM COMPLIANCE REPORT**

PROJECT: \_\_\_\_\_

SUBCONTRACTOR: \_\_\_\_\_

DATE : \_\_\_\_\_

OWNER : \_\_\_\_\_

INSPECTION BY: \_\_\_\_\_

Note : write 'NA' wherever the items is not applicable

Item	Y e s	N o	Remarks	Action
<b>HOUSEKEEPING</b>				
Waste containers provided and used				
Passageways and walkways clear				
General neatness of working area				
Other				
<b>PERSONNEL PROTECTIVE EQUIPMENTS</b>				
Goggles; shields				
Face protection				
Hearing protection				
Respiratory masks etc.				
Safety belts				
Other				
<b>EXCAVATIONS / OPENINGS</b>				
Openings properly covered or barricaded				
Excavations shored				
Excavations barricaded				
Overnight lighting provided				
Other				
<b>WELDING, CUTTING</b>				
Gas cylinders chained upright				
Cable and hoses not obstructing				
Fire extinguisher (s) accessible				
Others				
<b>SCAFFOLDING</b>				
Fully decked platforms				
Guard and intermediate rails in place				
Toe boards in place				
Adequate shoring				
Adequate access				
Others				
<b>LADDER</b>				
Extension side rails 1 m above				
Top of landing				
Properly secured				
Angle $\pm 70^\circ$ from horizontal				



**HEALTH, SAFETY AND ENVIRONMENT  
PLAN FOR SITE SUB-CONTRACTORS  
(MAITREE PROJECT)**

Doc no.: HSEP: 14-MAITREE:VENDOR

REV: 00

POWER SECTOR-EASTERN REGION

Date: 05.05.16

Page: 73 of 90

Other				
<b>HOISTS, CRANES AND DERRICKS</b>				
Condition of cables and sheaf OK				
Condition of slings, chains, hooks OK				
Inspection & maintenance log maintained				
Outriggers used				
Signals observed and understood				
Qualified operators				
Others				
<b>MACHINERY, TOOLS &amp; EQUIPMENT</b>				
Proper instruction				
Safety devices				
Proper cords				
Inspection and maintenance				
Other				
<b>VEHICLE AND TRAFFIC</b>				
Rules and regulations observed				
Inspection and maintenance				
Licensed drivers				
Other				
<b>TEMPORARY FACILITIES</b>				
Emergency instructions posted				
Fire extinguishers provided				
Fire-aid equipment available				
General neatness				
Others				
<b>FIRE PREVENTION</b>				
Personnel instructed				
Fire extinguishers checked				
No smoking in prohibited areas.				
Hydrants				
Clearance				
Others				
<b>ELECTRICAL</b>				
Proper wiring				
ELCB's provided				
Ground fault circuit interrupters				
Protection against damage				
Prevention of tripping hazards				
Other				
<b>HANDLING &amp; STORAGE OF MATERIALS</b>				
Properly stored or stacked				
Passageways clear				
Other				
<b>FLAMMABLE GASES AND LIQUIDS</b>				
Containers clearly identified				
Proper storage				
Fire extinguisher nearby				
Other				



**HEALTH, SAFETY AND ENVIRONMENT  
PLAN FOR SITE SUB-CONTRACTORS  
(MAITREE PROJECT)**

Doc no.: HSEP: 14-MAITREE:VENDOR

REV: 00

POWER SECTOR-EASTERN REGION

Date: 05.05.16

Page: 74 of 90

<b>WORKING AT HEIGHT</b>				
Safety nets				
Safety belts				
Safety helmets				
Anchoring of safety belt to the life line rope				
<b>ENVIRONMENT</b>				
Lubricant waste/engine oils properly dispose.				
Waste from Canteen, offices, sanitation etc. disposed properly.				
Disposal of surplus earth, stripping materials, expired batteries, oily rags and combustible materials done properly.				
<b>HEALTH CHECKS</b>				
Hygienic conditions at labor camps O.K.				
Availability of first-aid facilities				
Proper sanitation at site, office & labor camps.				
Arrangement of medical facilities.				
Measures for dealing with illness.				
Availability of potable drinking water for workmen & staff.				



**HEALTH, SAFETY AND ENVIRONMENT  
PLAN FOR SITE SUB-CONTRACTORS  
(MAITREE PROJECT)**

Doc no.: HSEP: 14-MAITREE:VENDOR

REV: 00

POWER SECTOR-EASTERN REGION

Date: 05.05.16

Page: 75 of 90



**Bharat Heavy Electricals Ltd  
Power Sector- Eastern Region**

**HSEP:13-F04**

**Date:**

**PROJECT: \_\_\_\_\_**

**(TO BE SUBMITTED IN TRIPLICATES)**

**EXCAVATION WORK PERMIT**

SI No:

- I. Name of the work:
- II. Name of Contractor:
- III. Exact location of work and item for excavation:
- IV. Duration of work: From \_\_\_\_\_ to \_\_\_\_\_
- V. Type of excavation: Manual/ by Excavator
- VI. Dimension of excavation:

The following items have been checked and compliance shall be ensured during the currency of the permit:

item	Done
1. Checked for underground pipe/power cable	
2. Proper illumination provided (for night work)	
3. Plan/drawing available and checked (sloping, shoring provided). Safety of any adjacent structure taken care of.	
4. Access/Egress ensured (in case of manual)	
5. Equipment operator skill checked	



**HEALTH, SAFETY AND ENVIRONMENT  
PLAN FOR SITE SUB-CONTRACTORS  
(MAITREE PROJECT)**

Doc no.: HSEP: 14-MAITREE:VENDOR

REV: 00

Date: 05.05.16

Page: 76 of 90

POWER SECTOR-EASTERN REGION

6. Area cordoned off, signage put up

7. Appropriate PPEs provided

The following persons are permitted to work for the duration mentioned herein:

Date		No of persons allowed	Time Duration	
From	To		From	To

List of persons to be maintained by contractor separately

Sign of Initiator (Sub-contractor)

Sign of Recommender

Sign of Approver

Work completed/stopped/area cleared at \_\_\_\_\_ on \_\_\_\_

The permit stands closed on \_\_\_\_\_

Sign of BHEL HSE team



**HEALTH, SAFETY AND ENVIRONMENT  
PLAN FOR SITE SUB-CONTRACTORS  
(MAITREE PROJECT)**

Doc no.: HSEP: 14-MAITREE:VENDOR

REV: 00

Date: 05.05.16

Page: 77 of 90

POWER SECTOR-EASTERN REGION



**Bharat Heavy Electricals Ltd  
Power Sector- Eastern Region**

**HSEP:13-F05**

**Date:**

**PROJECT: \_\_\_\_\_  
(TO BE SUBMITTED IN TRIPLICATES)**

**RADIATION WORK PERMIT**

Sl No:

- I. Name of the work:
- II. Name of Contractor:
- III. Exact location of work and item for radiography:
- IV. Duration of work: From \_\_\_\_\_ to \_\_\_\_\_
- V. Name of Radiography agency and its authorised supervisor:

The following items have been checked and compliance shall be ensured during the currency of the permit:

item	Done
1. Safety regulations as per BARC/AERB ensured while source in use/transit/stores	
2. Proper illumination provided	
3. Area cordoned off	
4. Appropriate PPEs provided	



**HEALTH, SAFETY AND ENVIRONMENT  
PLAN FOR SITE SUB-CONTRACTORS  
(MAITREE PROJECT)**

Doc no.: HSEP: 14-MAITREE:VENDOR

REV: 00

Date: 05.05.16

Page: **78** of **90**

POWER SECTOR-EASTERN REGION

The following persons are permitted to work for the duration mentioned herein:

Date		No of persons allowed	Time Duration	
From	To		From	To

List of persons to be maintained by contractor separately

Sign of Initiator (Sub-contractor)

Sign of Recommender

Sign of Approver

Work completed/stopped/area cleared at \_\_\_\_\_ on \_\_\_\_

The permit stands closed on \_\_\_\_\_

Sign of BHEL HSE team



**HEALTH, SAFETY AND ENVIRONMENT  
PLAN FOR SITE SUB-CONTRACTORS  
(MAITREE PROJECT)**

Doc no.: HSEP: 14-MAITREE:VENDOR

REV: 00

POWER SECTOR-EASTERN REGION

Date: 05.05.16

Page: 79 of 90



**Bharat Heavy Electricals Ltd  
Power Sector- Eastern Region**

**HSEP:13-F06**

**Date:**

**PROJECT: \_\_\_\_\_**

**(TO BE SUBMITTED IN TRIPLICATES)**

**CONFINED SPACE WORK PERMIT**

Sl No:

**I. Name of the work:**

**II. Name of Contractor:**

**III. Exact location of work:**

**1. Condition check of target space:**

Condition	Y/N	NR
8. Isolated from air/ water/ steam/ gas/ power/radiation source		
9. Thoroughly cleaned/washed		
10. Adequately cooled		
11. Proper illumination provided		
12. Manways open & ventilated		

**2. Protection measures:**

Measure	Y/N	NR
1. Handlamp is of 24V		
2. Operators wearing recommended PPEs- gloves/ clothing/ear plug/ muff/ safety harness/lifeline/ goggles /face shield		



**HEALTH, SAFETY AND ENVIRONMENT  
PLAN FOR SITE SUB-CONTRACTORS  
(MAITREE PROJECT)**

Doc no.: HSEP: 14-MAITREE:VENDOR

REV: 00

Date: 05.05.16

Page: **80** of **90**

POWER SECTOR-EASTERN REGION

3. Operators wearing special devices –  
dust/gas/airline mask, communication equipment,  
personal gas alarm

4. Attendant with SCBA/Air mask

5. Rescue equipment/ team deployed

6. Fire fighting equipment close-by

The following persons are permitted to enter the confined space to work for the duration mentioned herein:

Date(s)	No of persons allowed	Name of persons allowed	Duration	
			From	To

Sign of Initiator (Sub-contractor)

Sign of Recommender

Sign of Approver

Work completed/stopped/area cleared at \_\_\_\_\_ on \_\_\_\_\_

The permit stands closed on \_\_\_\_\_

Sign of BHEL HSE team



**HEALTH, SAFETY AND ENVIRONMENT  
PLAN FOR SITE SUB-CONTRACTORS  
(MAITREE PROJECT)**

Doc no.: HSEP: 14-MAITREE:VENDOR

REV: 00

POWER SECTOR-EASTERN REGION

Date: 05.05.16

Page: 81 of 90



**Bharat Heavy Electricals Ltd  
Power Sector- Eastern Region**

**HSEP:13-F07**

**Date:**

**PROJECT: \_\_\_\_\_  
(TO BE SUBMITTED IN TRIPLICATES)**

**WORK-AT-HEIGHT PERMIT**

Sl No:

- I. **Name of the work:**
- II. **Name of Contractor:**
- III. **Exact location of work:**

Sl.	Description of the point to be checked	Pl tick (✓) if it is OK
1.	Whether the manpower of the Gang engaged is having adequate number and skill required for the said activity?	
2.	Whether Supervisor has been engaged for this activity?	
3.	Whether following PPEs have been provided to all workers? Full body Harness, Safety Shoe, Helmet	
4.	Whether Lifelines tied with solid anchorage above 1 M level from the job?	
5.	Whether Tool-Box meeting carried out and Hazard related to the said job and safety precaution to be taken told to workers?	
6.	Whether Fall arrestor fixed where staircase is not available for access to job?	
7.	Whether Scaffold/Platform/Place for job is strong enough, has easy access and is safe for the job? Is the Space sufficient for doing work? Whether Safety Net has been fixed?	
8.	Whether all Lifting T&Ps and Tackles have valid Fitness Certificates? Whether Lubrication is Ok? Whether these are free from any defect when visually checked before use?	
9.	Pl ensure that none of the workers of the Gang has Vertigo or High or Very Low Blood Pressure. ( Health register to be referred)	



**HEALTH, SAFETY AND ENVIRONMENT  
PLAN FOR SITE SUB-CONTRACTORS  
(MAITREE PROJECT)**

Doc no.: HSEP: 14-MAITREE:VENDOR

REV: 00

Date: 05.05.16

Page: **82 of 90**

POWER SECTOR-EASTERN REGION

The following persons are permitted to work for the duration mentioned herein:

Date		No of persons allowed	Time Duration	
From	To		From	To

List of persons to be maintained by contractor separately

Sign of Initiator (Sub-contractor)

Sign of Recommender

Sign of Approver

Work completed/stopped/area cleared at \_\_\_\_\_ on \_\_\_\_

The permit stands closed on \_\_\_\_\_

Sign of BHEL HSE team



**HEALTH, SAFETY AND ENVIRONMENT  
PLAN FOR SITE SUB-CONTRACTORS  
(MAITREE PROJECT)**

Doc no.: HSEP: 14-MAITREE:VENDOR

REV: 00

POWER SECTOR-EASTERN REGION

Date: 05.05.16

Page: 83 of 90

HSEP:13-F09



**Bharat Heavy Electricals Limited  
Power Sector Eastern Region**

**INCIDENT ( PERSONAL INJURY / PROPERTY DAMAGE ) REPORT**

(This report is to be sent within 24 hours directly to GM/Q &S/PS-HQ, , Noida with copy to MR(HSE)/PSE in respect of all incidents in addition to immediate Fax / Telegraphic intimation of fatalities and major damages including fires.)

1	NAME OF SITE		3	ACTIVITY AREA	
2	SCOPE OF WORK		4	NAME OF CONTRACTOR	
			5	NAME & DESIGNATION OF BHEL ACTIVITY I/C	
6	DATE & TIME OF INCIDENT		7	DATE RESUMED	
8	NO. OF WORK-DAYS LOST BY VICTIM (If duty not resumed, give estimated figure)				
9	NO. OF MANHOURS LOST BY OTHERS				
10	PERSONAL DETAILS OF INJURED AND / OR DETAILS OF MATERIALS / EQUIPMENT / PROPERTY DAMAGED				
	NAME		NAME OF MATERIAL / EQUIPMENT / PROPERTY		
	PERIOD OF EMPLOYMENT				
	AGE	YRS	SEX	MALE/ FEMALE	ESTIMATED COST
	MARITAL STATUS		SINGLE / MARRIED		ACTUAL COST
	OCCUPATION		NATURE OF DAMAGE		
	PART OF BODY INJURED				
	NATURE OF INJURY				
	AGENCY ( OBJECT / EQUIPMENT / SUBSTANCE ) MOST RESPONSIBLE FOR CAUSING INCIDENT / INJURY / DAMAGE				
12	PERSON (NAME & DESIGNATION) WITH MOST CONTROL OVER AGENCY (OBJECT / EQUIPMENT / SUBSTANCE ) CAUSING INCIDENT INJURY / DAMAGE				
13	DESCRIBE CLEARLY HOW THE INCIDENT OCCURRED AND IF THE VICTIM WAS WEARING THE APPROPRIATE PPEs. (USE ADD SHEET, IF REQUIRED).				



**HEALTH, SAFETY AND ENVIRONMENT  
PLAN FOR SITE SUB-CONTRACTORS  
(MAITREE PROJECT)**

Doc no.: HSEP: 14-MAITREE:VENDOR

REV: 00

Date: 05.05.16

Page: **84** of **90**

POWER SECTOR-EASTERN REGION

**ANALYSIS**

14	WHAT ACTS AND / OR CONDITIONS CONTRIBUTED MOST DIRECTLY TO THIS INCIDENT	
15	WHAT ARE THE BASIC REASON FOR THE EXISTENCE OF THESE ACTS AND / OR CONDITION ?	
16	WHAT CORRECTIVE ACTIONS HAVE BEEN TAKEN TO PREVENT INCIDENT RECURRENCE ?	
	DATE :	SIGNATURE OF SITE HSE COORDINATOR
17	COMMENTS OF HEAD / SOX	
	DATE:	SIGNATURE OF HEAD/SOX



**HEALTH, SAFETY AND ENVIRONMENT  
PLAN FOR SITE SUB-CONTRACTORS  
(MAITREE PROJECT)**

Doc no.: HSEP: 14-MAITREE:VENDOR

REV: 00

Date: 05.05.16

Page: 85 of 90

POWER SECTOR-EASTERN REGION



**BHARAT HEAVY ELECTRICALS LIMITED HSEP:13-F10  
POWER SECTOR: EASTERN REGION**

INVESTIGATION REPORT FROM PROJECT SITE :

INCIDENT(FATAL/SERIOUS INJURY/PROPERTY DAMAGE/FIRE)

DATE :

**Instructions**

This report is to be sent within seven days to GM/Q&S/PS-HQ and RHQ Safety Department, in respect of incident requiring investigation by a committee.

Report date	Incident Date	Incident Time	Incident Type	
Name of Site :				
Scope of work :				
Name & Designation of BHEL Package I/C				
Name of Contractor :				
Incident Location :				
<b>Victim(s) Information</b>				
Name	Designation	Age	Sex	Address



**HEALTH, SAFETY AND ENVIRONMENT  
PLAN FOR SITE SUB-CONTRACTORS  
(MAITREE PROJECT)**

Doc no.: HSEP: 14-MAITREE:VENDOR

REV: 00

POWER SECTOR-EASTERN REGION

Date: 05.05.16

Page: 86 of 90

**Witness Information**

Name	Address

- 1 Describe, how the incident took place ( Attach separate sheets, diagrams, and photographs, if possible.)
- 2 Description of Injury (Attach medical report as applicable)
- 3 Describe property and equipment damaged in the incident and extent of damage.
- 4 Describe any personal protective equipment used and other safety equipment that were in place.

- 5 Describe any perceived actual or possible safety violations in the area of incident.



**HEALTH, SAFETY AND ENVIRONMENT  
PLAN FOR SITE SUB-CONTRACTORS  
(MAITREE PROJECT)**

Doc no.: HSEP: 14-MAITREE:VENDOR

REV: 00

Date: 05.05.16

Page: **87 of 90**

POWER SECTOR-EASTERN REGION

**6 Describe events and conditions immediately before the incident.**

**7 Are these conditions still in existence?**

**8 Were any unsafe actions performed by the victim or by others or were any safety rules violated that caused/ contributed to the incident.**

**9 Describe steps taken to secure the area.**



**HEALTH, SAFETY AND ENVIRONMENT  
PLAN FOR SITE SUB-CONTRACTORS  
(MAITREE PROJECT)**

Doc no.: HSEP: 14-MAITREE:VENDOR

REV: 00

Date: 05.05.16

Page: **88** of **90**

POWER SECTOR-EASTERN REGION

**10 Describe measures to be taken to prevent similar recurrences.**

**11 Any other information**

**Prepared by**

**Name**

**Designation**

**Signature**

**Date**

Submitted to:

- 1 Construction Manager
- 2 RHQ: Safety Department
- 3 GM/Q&S/PS-HQ





**HEALTH, SAFETY AND ENVIRONMENT  
PLAN FOR SITE SUB-CONTRACTORS  
(MAITREE PROJECT)**

Doc no.: HSEP: 14-MAITREE:VENDOR

REV: 00

Date: 05.05.16

Page: **90 of 90**

POWER SECTOR-EASTERN REGION

**RECORD OF REVISION**

<b>CLAUSE No.</b>	<b>Rev No.</b>	<b>Brief of Revision</b>	<b>Date</b>
All	00	New plan introduced	05.04.17