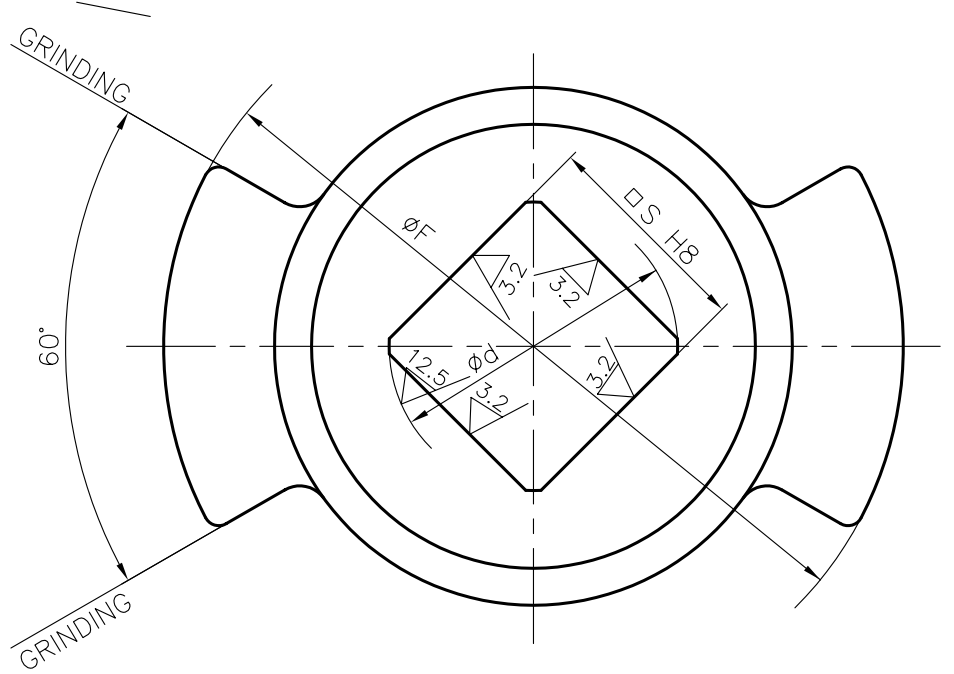
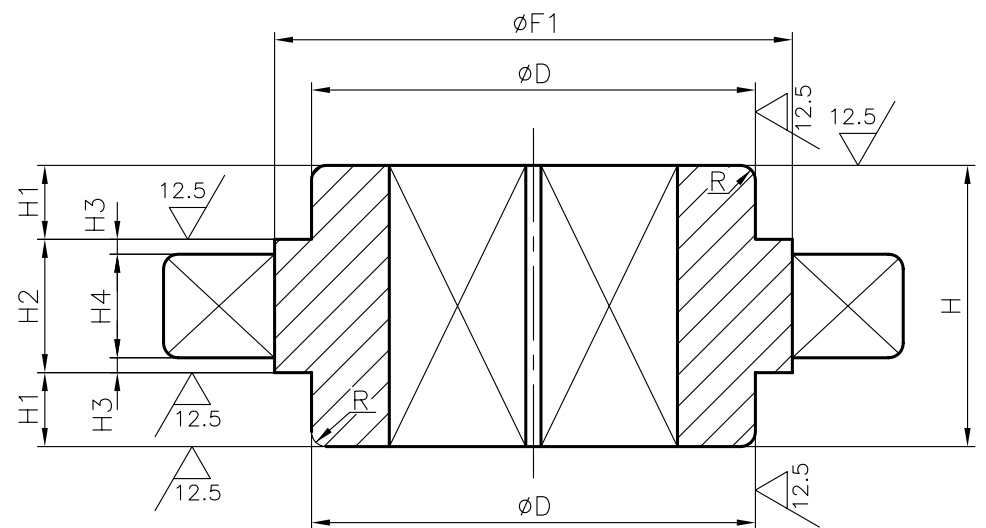
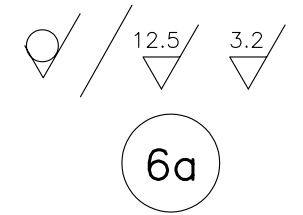


69007-0000-V-3

DRAWING NO.

SL. No.	DRAWING NO.	COMP.CODE	MATL.SPECN	SCRAP SORT	TOA DRG.NO.	DIMENSIONS											FINISH WT KG	SIZE/RATING
						∅D	H	H1	H2	H3	H4	R	□S H8	∅d	∅F	∅F1		
1	3-V-G001-20069	931113590000	A105,NR CERTIFY	10	T-E69018(0209)	60	38	10	$180^{+0.1}$	2	14	2	$29^{+0.033}_0$	39	100	70	1.2	100/1500 100/2500
2	3-V-G004-20069/1	931113600000		10	T-E69016(0006)	40	32	7.5	$170^{+0.1}$	1	15	1	$23^{+0.033}_0$	31.5	70	50	0.42	65/3500,65/2500 65/1500,80/1500
3	3-V-G145-20069	931136080000		10	T-E69017(2176)	60	36	9	$180^{+0.1}$	2	14	2	$26^{+0.033}_0$	35.5	100	70	0.81	80/2500
4	3-V-Y047-20069	931687890000		10	--	40	29	6	$170^{+0.1}$	1	15	1	$23^{+0.033}_0$	31.5	70	50	0.40	65/C2500 SV Y-TYPE



REV	DATE	ALTERED
03	08.09.06	T.R.RAMAMURTHY CHD & APPD P.B.NATHAN

SL.No.4 INCLUDED

CAUTION: The information on this document is the property of BHARAT HEAVY ELECTRICALS LTD. It must not be used directly or indirectly in any way detrimental to the interest of the company.

NO OFF	DESCRIPTION	MATL CODE	MATL SPECN	HEAT TREATMENT	SCRAP SORT	NET WT (kg)	GROSS WT (kg)	DRAWING No	ITEM No
	TYPE OF PRODUCT OR NAME OF CUSTOMER/PROJECT							REDRAWN WITH REV.03 ON 08.09.2006 (REF.DCP.800224)	
	<b>BHARAT HEAVY ELECTRICALS LTD.,</b> UNIT: HIGH PRESSURE BOILER PLANT. TIRUCHIRAPALLI-620014.	DRN	V.BAIRAVAN	SIGN		DATE	08.09.06	NO.OF VAR.	
		CHD	K.RAJASEKRAN			08.09.06			
		APPD	M.RAJAKUMAR			08.09.06			
DEPT	VL	SCALE	WEIGHT (KG).	REFERENCE INFORMATION				NO. OF ITEMS	
320	--	NTS	--	T320069					
TITLE						CARD CODE	DRAWING NO.	REV	
HANDLE BOSS (H-TYPE)						U 01	3-V-0000-20069	03	