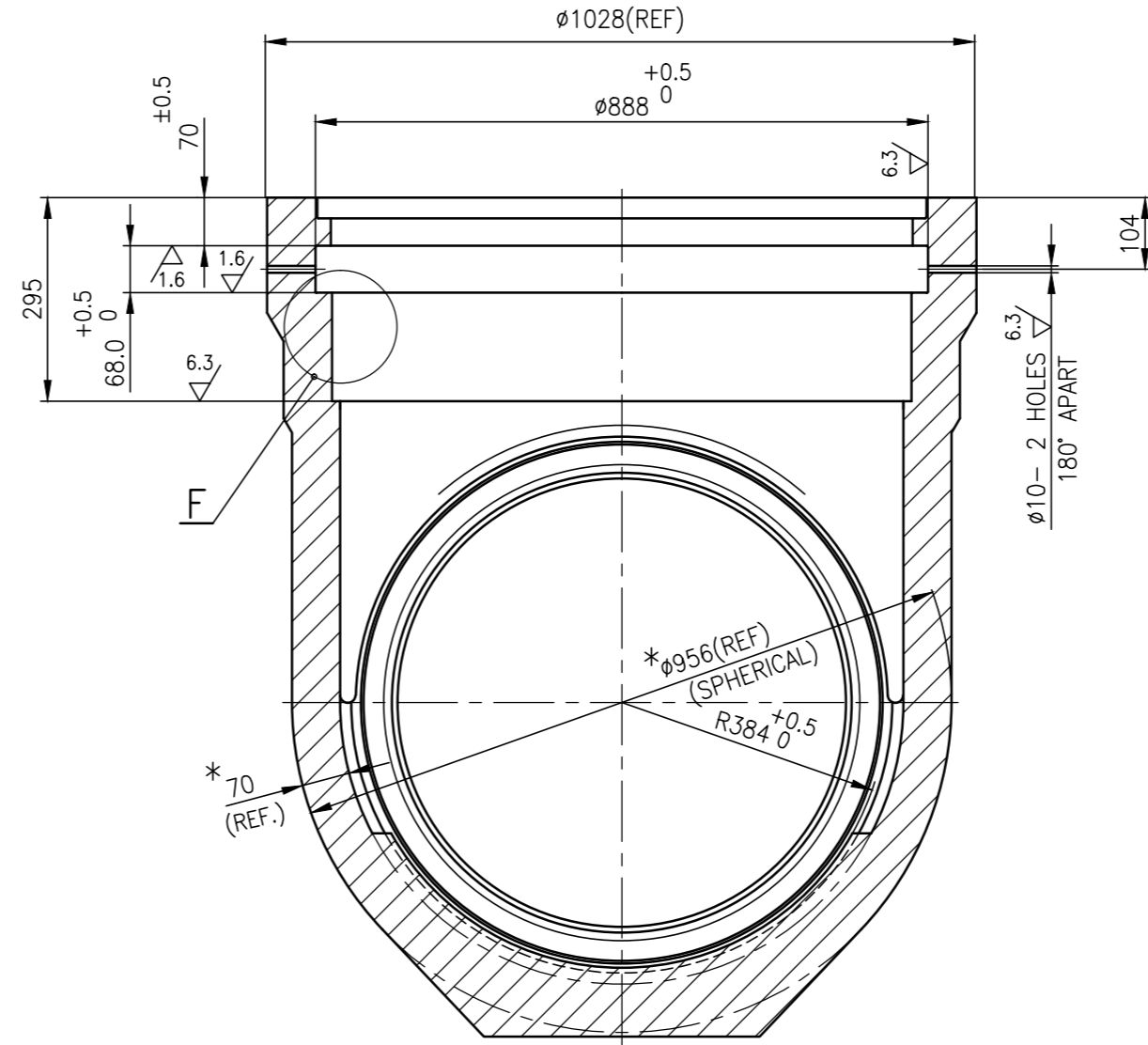
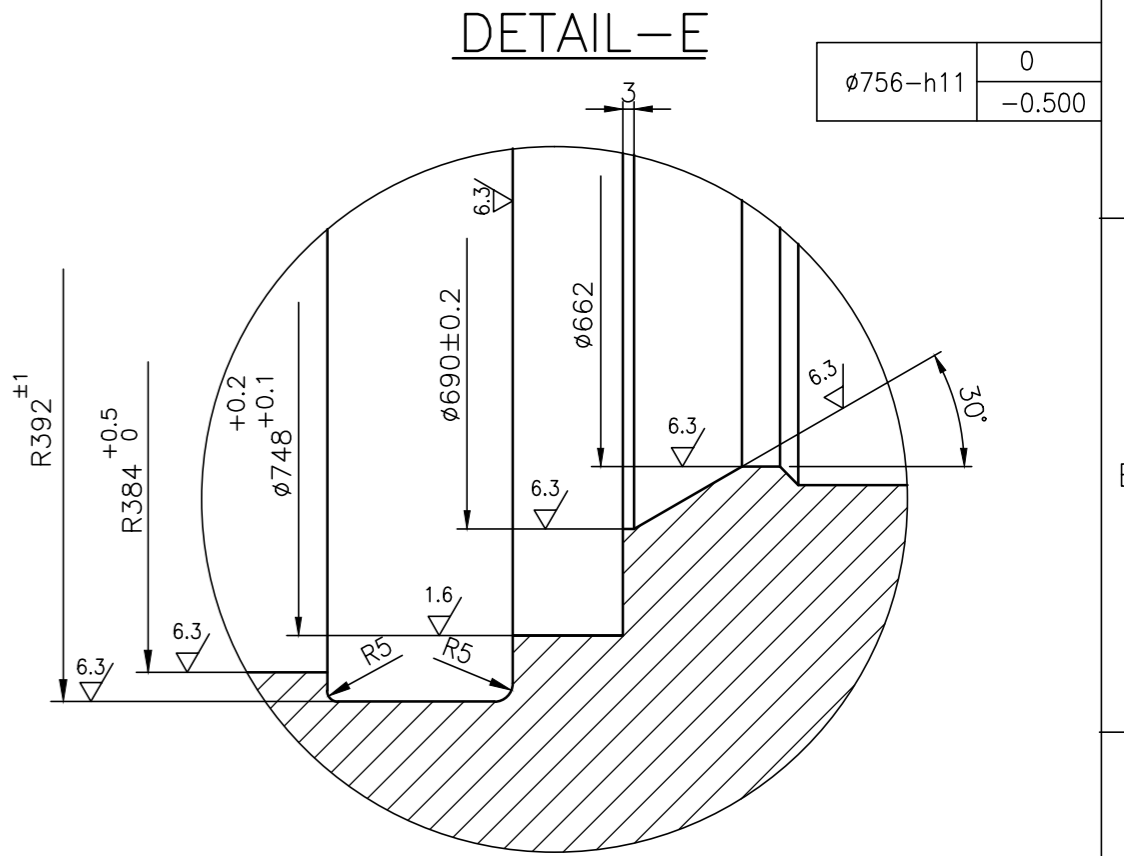


SECTION-BB



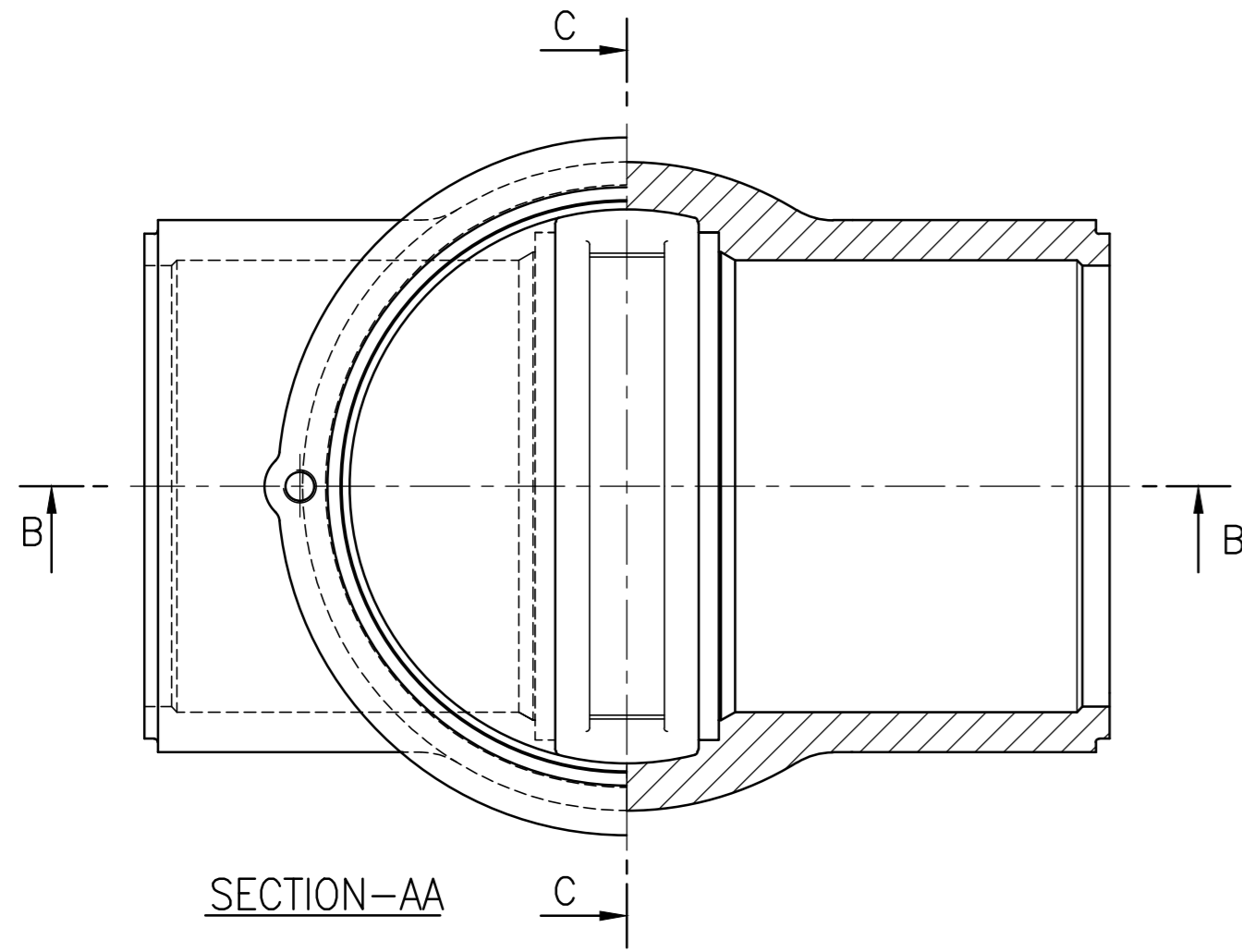
SECTION-CC



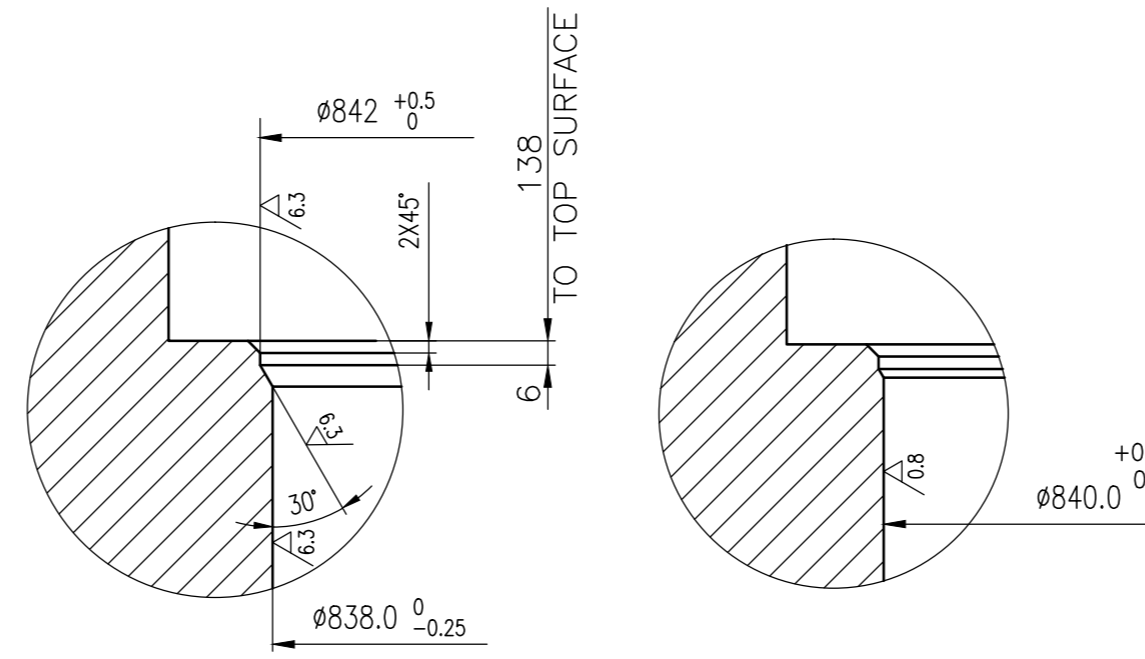
DETAIL-E

NOTES

1. UNSPECIFIED SHARP CORNER TO BE CHAMFERED TO 1 X 45°
2. EDGE PREPARATION IS TO BE DONE AFTER HYD.TESTING.
- * 3. THESE DIMENSIONS ARE INDICATED FOR IBR CALCULATION PURPOSE ONLY.
- ** 4. QUALITY PROCEDURE AS APPLICABLE TO SPECIAL CLASS VALVE



SECTION-AA



DETAIL-F

SL No.	DESCRIPTION	MATL CODE	MATL SPECN	HEAT TREATMENT	SCRAP SORT	NET WT (kg)	GROSS WT (kg)	DRAWING No COMPONENT CODE	ITEM No
05	CASTING	92 203 246	SA 216 WCC-ATTEST	NORMALISED	10	2482	2785	2.V.3393.14088/01 932033420000	001
04	CASTING	92 203 168	SA 217 C12A-ATTEST	NORMALISED & TEMPERED	20	2482	2785	2.V.3313.14088/01 932030920000	001
03	CASTING	92 201 874	SA 217 C12A-ATTEST	NORMALISED & TEMPERED	20	2482	2785	2.V.3316.14088/04 932017540000	001
02	CASTING	92 201 640	SA 217 WC9-ATTEST	NORMALISED & TEMPERED	20	2482	2785	2.V.3245.14088/04 932010330000	001
01	CASTING	92 201 873	SA 216 WCC-ATTEST	NORMALISED	10	2482	2785	2.V.3315.14088/04 932017530000	001

REV	DATE	ALTERED	MS	REV	DATE	ALTERED	S.SARANYA
07	08.05.14	CHD & APPD	SSK & KRS	06	15.03.14	CHD & APPD	SSK & KRS

REV	DATE	ALTERED	M.S	REV	DATE	ALTERED	M.SRINIVASAN
05	30.09.13	CHD & APPD	SSK & KRS	04	24.09.11	CHD & APPD	M.RAJAKUMAR

CAUTION: The information on this document is the property of BHARAT HEAVY ELECTRICALS LTD. It must not be used directly or indirectly in any way detrimental to the interest of the company.

TYPE OF PRODUCT OR NAME OF CUSTOMER/PROJECT

BHARAT HEAVY ELECTRICALS LTD.,
UNIT: HIGH PRESSURE BOILER PLANT.
TIRUCHIRAPALLI - 620014.

DEPT: VL
CODE: 320

SCALE: NTS
WEIGHT (KG): REF. TABLE

REFERENCE INFORMATIONS
CAD: F214088

TITLE: **BODY**
(750mm)

CARD CODE: U 01

DRAWING NO. **2-V-0000-14088**

REV: **07**