

Notice Inviting Tender


We require **LIGHT ASSEMBLY** as per details given below. Please submit lowest quotation on firm price basis through return mail on rptpur@bhel.in on or before **25.05.2026, 14:00 Hrs.**

Sl. No.	Material code	Description	Unit	Qty.	Price Per Unit in Rs.
1	963201660000	Light Assembly with Well Glass Fitting as per APSQ 126 Rev 00	No.	50	

Tender Terms & Conditions:

- 1) Specification:** Item shall be as per description and APSQ 126 Rev 00.
- 2) Evaluation of offer:** Evaluation of offers/bids will be on **TOTAL VALUE WISE** for arriving L-1.
- 3) Preferred Delivery:** Material is required within 04 weeks from PO date at BHEL Ranipet Stores.
- 4) Payment Term:** a) For Micro/Small Enterprises- 100% payment will be made within 45 days from the date of receipt and acceptance of materials at BHEL Stores /Site.
b) For Non-MSME- 100% payment will be made within 90 days from the date of receipt and acceptance of materials at BHEL Stores /Site.
- 5) Pre-Qualification Requirements (PQR):** Offers received from bidders meeting the Pre-Qualification Requirements (PQR) shall only be considered. Bidder should submit/Upload the supporting documents called for in the (Pre-Qualification Requirement (PQR). Incomplete bids are liable to be rejected.
- 6) Quality Requirement:** Manufacturer Quality Plan (MQP) is applicable. Bidder to submit signed & sealed copy of quality plan format as an acceptance. L-1 vendor has to submit MQP for BHEL approval after placement of PO.
- 7) Deviation, if any, w.r.t TECHNICAL, QUALITY AND COMMERCIAL** shall be indicated in SPECIFICATION DEVIATION DISPOSITION REPORT (SDDR) only. Deviations indicated in any other documents of the offer shall be ignored and treated as null & void. SDDR duly signed with seal of authorised signatory shall be submitted along with technical bid. NIL report to be submitted in case of NO deviation.
- 8) Fill the attached commercial T&C format and send it along with offer without fail.**
- 9) Any communication / clarification regarding this tender shall be sent to the following.**
 - a) Deepak Kumar/ Engineer (Purchase), BHEL-BAP, Ranipet, Email: kumard@bhel.in, Ph- 04172 284326
 - b) Pottem Manoj Kumar / Engineer Trainee (Purchase), BHEL-BAP, Ranipet, Email: manoj.pottem@bhel.in, Ph-04172-284923
- 10) Request for any clarification shall be sought minimum 2 days prior to technical bid opening. Any communication for clarification sought after this period may not be entertained.**

(Note: Bid to be submitted in the email rptpur@bhel.in only)

 Bharat Heavy Electricals Ltd Boiler Auxiliaries Plant Ranipet - 632 406		EDC / AIR PREHEATERS TECHNICAL SPECIFICATION Effective Date: 02.12.2025			
Specification No: APSQ – 126		Rev. No: 00		Page No: 01 of 02	
01. Item	LIGHT ASSEMBLY WITH WELL GLASS FITTING				
02. Material code(s)	Light assembly	963201660000			
03. Application	Used in Regenerative Air Preheaters for illumination to inspect the condition of Heat Transfer Surface.				
04. Surroundings	Dusty, humid & corrosive atmosphere of coal / oil fired boilers.				
05. Ambient temperature	50°C				
06. Mounting	With adjustable cradle with eye bolt for fixing the fixture Angle of adjustment: 0 to 90° (min)				
07. Lamp Body Assembly (as per sketch in page 2)	a) Material: Cast Aluminum b) Gasket: Neoprene c) Cable entry: Through 3/4" Flexible conduit with BSP 3/4" ext. end connector at one end. d) Toughened heat resistant well glass to suit lamp body e) Terminal block: Porcelain type to suit 2C-2.5Sq.mm Cu Ar.Cable				
08. Bulb	100 Watts (max) LED, 230 V, AC, Min. 6000 lumens, Cool day light with surge protection. All applicable electronic units shall not be exposed outside and shall be kept inside lamp body.				
09. Ingress protection	IP 66				
10. Temperature class	T5 or better				
11. Light spreading angle	≥180 Deg				
Lamp life	50000 hrs.				
Total Harmonic Distortion	Less than 10%				
12. GENERAL	a) Only latest revision shall be referred for all the Standards specified. b) Detailed dimensional drawing indicating materials of construction & weight shall be submitted along with the offer for information. c) Adjustable fixture and lamp body shall be painted with Epoxy paint. d) Lamp shall be BIS certified. e) Polycarbonate diffuser is not acceptable. f) Conduit, End connector & cable will be supplied by BHEL. But vendor shall provide provision in the lamp body fixture to fix 3/4" ext. end connector to connect conduit & cable.				
13. INSPECTION	a) Inspection by BHEL. b) Material Compliance Certificate shall be submitted.				
00	25.11.25	(Sd) PST/VMR	(Sd) AKP	(Sd) VPK	FRESH ISSUE
Rev.No	Date	Prepared	Checked	Approved	Record of Revisions.



Bharat Heavy Electricals Ltd
Boiler Auxiliaries Plant
Ranipet - 632 406

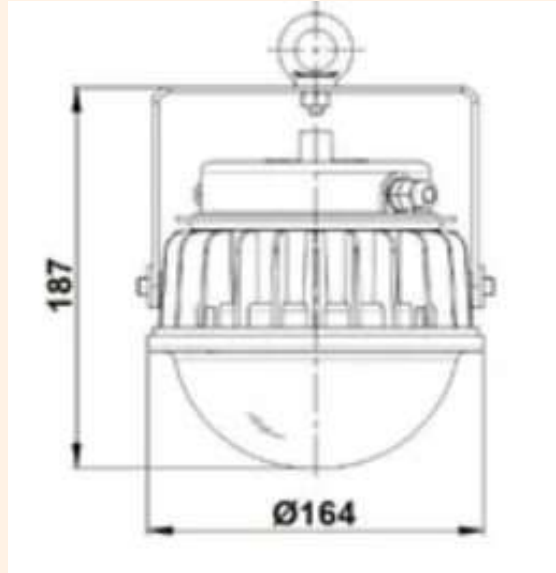
EDC / AIR PREHEATERS
TECHNICAL SPECIFICATION
Effective Date: 02.12.2025

Specification No: APSQ – 126

Rev. No: 00

Page No: 02 of 02

14. Typical diagram of lamp fitting





Pre-Qualification Criteria

Enq. No. & Date:

Bidder's Name:

The following are the Pre-Qualification Criteria for participating in the Tender. Necessary supporting documents shall be submitted for meeting each of the below Pre-Qualification Criteria for evaluation of the offers.			
Sl. No.	Pre- Qualification Criteria	Documentary Evidence to be submitted by Bidder along with offer	Bidders' Remarks/ Comment/ Confirmation
01	Bidder shall be original manufacturer or OEM authorized distributor /agent/trader.	Certificate of being original manufacturer. A valid OEM authorization letter in case of Distributor /Agent/ Trader.	
02	Suppliers shall indicate their experience/Performance for Light/Illumination Assembly.	At least One Set of PO copy (Priced/Unpriced) and corresponding proof of supply (like Invoice or SRV or GR etc) for the enquired item to be submitted. (Or) Performance certificate from customer to be submitted.	
03	Supply of LIGHT ASSEMBLY WITH WELL GLASS FITTING as per Specification APSQ-126/00.	Signed copy of Specification APSQ-126/00 shall be submitted as a proof of conformity.	
BHEL reserves the right to consider / Not-consider the offers based on the evaluation of documents submitted for the above Pre-Qualification Criteria. BHEL also reserves the right to have on-Site assessment of the facilities at supplier's works during the bid evaluation.			
In case, any of information is found to be false, even after bid acceptance, immediate termination may happen and action will be taken as per extant guideline of BHEL.			

Bidder's Sign with Seal

MAIN CONTRACTOR: BHEL - RANIPET		CONTRACT QUALITY REQUIREMENTS (CQR) for <u>LAMP ASSEMBLY</u>	DOC.NO: BAP/CQR/APH LAMP ASS:01	##ENQUIRY No
SUB CONTRACTOR & ADDRESS: (To be filled by VENDOR)			Rev NO.: 00	## Supplier Name & Address:
			PAGE : Page 1 of 1	##Offer reference:
			DATE: 19.07.2025	##Date:
				Contact Official Name: Mobile no: Email id:
Sl. NO.	DESCRIPTION	BHEL and Ultimate Customer Quality Requirements		##Specific confirmations by the vendor

ITEM: LAMP ASSEMBLY

01	Important Note	Materials to be as per Indent/ Engineering specification / Approved Data sheet / make/ Model no. requirement.	
02	Quality Plan	Supplier shall submit MQP in the attached format (Copy Enclosed) with all the tests as per specification requirement for BHEL review and approval. Supplier should have all the testing facilities as per Submitted MQP.	
03	For inspection	To raise inspection call by BHEL/BHEL AIA inspection including for type test witnessing , vendor is requested to refer https://cqir.bhel.in for inspection related activities for immediate response / resolution.	
04	Packing	Required Packing & preservation shall also to be ensured as per requirements stipulated in Engg spec / drg / data sheet to avoid any damage during transit, handling damages & storage at site.	
05	Document Package/Dossier	Supplier shall give Specific confirmation for Document Package in the event of an order (3 hard copies + softcopies in PDF file) for onward transmission to customer on need basis and same shall contain the following with proper linkages (.) 1. Index Sheet 2. SQP with endorsement sheet / BHEL approved MQP. 3. TCs identified by BHEL or its authorized inspection agency for record for CHP= and Verification portion as given in approved QAP/Data sheet/spec (As applicable). 4. Final Inspection Report by BHEL / BHEL AIA + TC	

Supplier signature with seal

" Bidder to clearly mention the deviation taken against this document in deviation format provided in the tender. In the event no deviation is taken it will be presumed that all the quality points in this document and specification are complied by the bidder without any deviation. NO deviation will be accepted once PO is placed. "

Annexure-A-Commercial Terms and Conditions - Enq No.

SL. No	DESCRIPTION	BHEL'S REQUIREMENT	SUPPLIER'S RESPONSE
1	SUPPLIER QUOTATION REFERENCE NO. WITH DATE	TO BE FILLEED BY SUPPLIER	
2	PRICE	Firm till completion of order.	
3	DELIVERY TERMS	FOR - Destination means FOR - BHEL Stores, Ranipet [Packing & Forwarding, Freight & Insurance are in Supplier's scope i.e. included in the quoted prices. Unloading at BHEL Stores would be to the account of BHEL only].	
4	PACKING & FORWARDING	Included. (if extra indicate in %age / value lump sum / value per unit)	
5	FREIGHT & INSURANCE	Included. (if extra indicate in %age / value lump sum / value per unit)	
6	GST	Applicable GST (%) to be indicated by supplier. (IGST/SGST/CGST/UTGST) (Applicable on basic price). Bidder to specify the applicable GST is EXTRA or INCLUSIVE .	
7	HSN # No of products	To be indicated for each product	
8	MSME STATUS (MICRO/SMALL/MEDIUM)	Specific category to be indicated by supplier along with supporting document. (MICRO/SMALL/MEDIUM or Not Applicable)	
9	PAYMENT	100% payment will be made directly thru' EFT within 90 days from the date of receipt and acceptance of materials at BHEL Stores, RANIPET for NON-MSE vendor and within 45 days for MSE vendor. If any supplier is asking for payment terms other than the above specified, then suitable loading on cost will be considered. Loading of any deviation in the payment terms w.r.t tender terms will be "Base rate of State Bank of India (SBI) (as applicable on the date of bid opening: Techno-commercial bid opening in case of two part bids) + 6%, will be considered for loading for the periods of relaxation sought by bidders.	
10	DELIVERY PERIOD	To be indicated by supplier in weeks.	
11	L.D.CLAUSE	As indicated in Enquiry (ANNEXURE –B, GENERAL TERMS & CONDITIONS) Confirmation L.D. clause as indicated in Enquiry @ 0.5% per week subject to a maximum of 10% PLUS applicable Goods & Services Tax (GST) for the delayed delivery. (In case any bidder is not accepting the above penalty for delayed Supply, the offer of bidder shall be loaded to the extent to which it is not agreed by the bidder. Example: If the Supplier has accepted for maximum 5% penalty clause, then balance 5% will be loaded for evaluating lowest bidder)	
12	OFFER VALIDITY	Minimum 90 days from the date of technical bid opening/RA.	

Annexure-A-Commercial Terms and Conditions - Enq No.

SL. No	DESCRIPTION	BHEL'S REQUIREMENT	SUPPLIER'S RESPONSE
13	INSPECTION BEFORE DESPATCH	Will be done at suppliers Works Before Dispatch. No Extra cost shall be offered.	
14	TEST CERTIFICATE	Required at no extra cost	
15	GUARANTEE CERTIFICATE	Period: 12 months from the date of commissioning (or) 18 months from the date of supply whichever is earlier. Required at no extra cost	
16	INSTALLATION & COMMISSIONING	Not applicable	
17	O & M MANUAL	Not applicable	
18	RISK PURCHASE	Alternatively, the purchaser at his option will be entitled the contract and to purchase elsewhere at the risk and cost of the seller either the whole of the goods or any part, which the supplier has failed to deliver, within the time stipulated as aforesaid or if the same were not available, the best and the nearest available substitute therefor. The supplier shall be liable for any loss, which the purchaser may sustain by reason of such risk purchase in addition to penalty due to Liquidated Damage.SPECIFICALLY CONFIRM YOUR ACCEPTANCE	
19	PERFORMANCE BANK GUARANTEE (PBG)	The Performance Bank Guarantee for 10% of Order Value is to be submitted along with the Supply, Valid for 18 months from the date of Supply + claim period as per Reserve Bank of India (RBI) guidelines. Bidder to confirm.	Not Applicable
20	CONTRACT EXECUTION BANK GUARANTEE (CEBG)	The Supplier shall submit a BG for 2% of the Contract value valid for a period of 03 months in excess of agreed delivery period. Attached CEBG Format is to be signed and submitted along with bid as a token of acceptance. Bidder to note that no deviation is allowed. CEBG should be submitted within 30 days from the date of PO.	Not Applicable
21	Confirmation for Reverse Auction	RA SHALL NOT BE APPLICABLE AGAINST THIS ENQUIRY	
22	GST registration no	Supplier to indicate GST registration no of firm	
23	MANUFACTURING PLACE & COUNTRY	To be indicated by supplier.	
24	CONTACT PERSON NAME WITH TELEPHONE/MOB NO & EMAIL	To be provided by supplier.	
25	Any other charges, if applicable	To be specified by bidder in percentage on basic price	
26	Public Procurement (Preference to Make in India)	For this procurement, Public Procurement (Preference to Make in India), Order 2017 dated 15.06.2017, 28.05.2018, 29.05.2019, 04.06.2020, 16.09.2020 & 29.09.2020 and subsequent orders issued by the respective nodal ministry shall be applicable even if issued after issue of this NIT but before finalization of contract/PO/WO against this NIT. In the event of any Nodal Ministry prescribing higher or lower percentage of purchase preference and/ or local content in respect of this procurement, same shall be applicable.	

Annexure-A-Commercial Terms and Conditions - Enq No.

SL. No	DESCRIPTION	BHEL'S REQUIREMENT	SUPPLIER'S RESPONSE
27	Local content declaration	Supplier to furnish the declaration in the attached format (in company letter head) along with bid.	
28	Land Border sharing declaration	Supplier to furnish the declaration in the attached format (in company letter head) along with bid.	
29	I HAVE THOROUGHLY GONE THROUGH EACH LINE ITEMS AND QUOTED THE PRICES ACCORDINGLY	-	

Annexure-C-Technical and Quality

SL No	Description	BHEL's Requirement	Suppliers Comment
1	SPECIFICATION DEVIATION DISPOSITION REPORT (SDDR)	Attached SDDR to be filled & submit along with offer. (Even NO deviation is taken, NIL report to be submitted).	

The above format shall be completely filled and deviation if any shall be clearly spelt out. The columns which are not applicable shall be mentioned as "not applicable". No column should be left blank. Non filling-up of columns may lead to rejection of your offer. If there is any difference (in the points accepted/confirmed) between the offer and this filled-up commercial terms & conditions sheet, the later only shall prevail.

DATE:

SIGNATURE WITH SEAL

SPECIFICATION DEVIATION DISPOSITION REPORT			
Specn		Item	
Enq.No & Date			
Vendor Name			
SPECN			
Page	Clause	Details Of Deviation With Reason	Disposition By Bhel
Signature Of Vendor			Reviewed By
" AGREED DEVIATION "			APPROVED BY
if any to be incorporated in the PO in the event of order.			

BHEL reserves the right to reject the offer which is having deviations to BHEL standard terms & conditions and specn / drg / catalogue.

Date :

VENDOR's SIGNATURE WITH SEAL

Declaration of Local Content by Supplier

Subject: Public Procurement (Preference to Make in India).

References of circulars issued by GOI:

- 1.P-45021/2/2017-B.E-II dated. 15th June-2017
- 2.P-45021/2/2017-PP(BE-II) dated. 28th May-2018
- 3.P-45021/2/2017-PP(BE-II) dated. 29th May-2019
- 4.P-45021/2/2017-PP(BE-II) dated.4th June-2020 and latest (if any).

We hereby declare with reference to above subject and references that M/s -----
-----.

"**Class-I local supplier**" meeting the requirement of minimum local content equal to 50% or more, as defined in the above government notifications for the goods and services.
(or)

"**Class-II local Supplier**" meeting the requirement of local content more than 20% but less than 50%, as defined in the above government notifications for the goods and services.
(or)

"**Non-local Supplier**" meeting the requirement of local content less than or equal to 20%, as defined in the above government notifications for the goods and services.

'**Local content**' means the amount of value added in India which shall, unless otherwise prescribed by Nodal ministry, be the total value of item procured (excluding net domestic indirect taxes) minus value of imported content in the item (including all custom duties) as a proportion of the total value, in percent.

Please mention the details against the following:

Enquiry no:

Type of Supplier (Class-I/Class-II/Non-local)

Product: As per enquiry

Details of location at which local value addition will be made is as follows:

We also understand that the false declarations will be in breach of the code of Integrity under rule 175(1)(i)(h) of the General financial rules for which a bidder or its successors can be debarred for up to two years as per Rule 151(iii) of the General Financial Rules along with such other actions as may be permissible under law.

Authorized Signature M/s-----
(Signature and seal)

Place:

Date:

***(To be submitted in the company letter head by supplier)**

CONFLICT OF INTEREST

(To be Typed & submitted in the Letter Head of the Company/Firm of Bidder)

The bidder notes that a conflict of interest would said to have occurred in the tender process and execution of the resultant contract, in case of any of the following situations:

- i) If its personnel have a close personal, financial, or business relationship with any personnel of BHEL who are directly or indirectly related to the procurement or execution process of the contract, which can affect the decision of BHEL directly or indirectly;
- ii) The bidder (or his allied firm) provided services for the need assessment/ procurement planning of the Tender process in which it is participating;
- iii) Procurement of goods directly from the manufacturers/ suppliers shall be preferred. However, if the OEM/ Principal insists on engaging the services of an agent, such agent shall not be allowed to represent more than one manufacturer/ supplier in the same tender. Moreover, either the agent could bid on behalf of the manufacturer/ supplier or the manufacturer/ supplier could bid directly but not both. In case bids are received from both the manufacturer/ supplier and the agent, bid received from the agent shall be ignored. However, this shall not debar more than one Authorised distributor (with/ or without the OEM) from quoting equipment manufactured by an Original Equipment Manufacturer (OEM) in procurements under a Proprietary Article Certificate.
- iv) A bidder participates in more than one bid in this tender process. Participation in any capacity by a Bidder (including the participation of a Bidder as a partner/ JV member or sub-contractor in another bid or vice-versa) in more than one bid shall result in the disqualification of all bids in which he is a party. However, this does not limit the participation of an entity as a sub-contractor in more than one bid if he is not bidding independently in his own name or as a member of a JV.

The Bidder declares that they have read and understood the above aspects, and the bidder confirms that such conflict of interest does not exist and undertakes that they will not enter into any illegal or undisclosed agreement or understanding, whether formal or informal with other Bidder(s), in this regard. This applies in particular to prices, specifications, certifications, subsidiary contracts, submission or non-submission of bids or any other actions to restrict competitiveness or to introduce cartelization in the bidding process. In case, the Bidder is found having indulged in above activities, the same will be considered as a violation of the tender conditions, and suitable action shall be taken by BHEL as per extant policies/ guidelines.

Enquiry No & dt.....

(Signature & seal of Authorized Signatory of the bidder)

Date:

MSE CATEGORY DECLARATION

(To be Typed & submitted in the Letter Head of the Company/Firm of Bidder)

Any Bidder falling under MSE category shall furnish the following details & submit documentary evidence/ Govt. Certificate etc. in support of the same along with their techno-commercial offer.

<i>Type under MSE</i>	<i>SC/ST Owned</i>	<i>Women Owned</i>	<i>Others (excluding SC/ST & Women Owned)</i>
<i>Micro</i>			
<i>Small</i>			

Note: If the bidder does not furnish the above in the tender, offer shall be processed construing that the bidder is not falling under MSE category.

(Signature & seal of Authorized Signatory of the bidder)

Date:

ANNEXURE – 11**DECLARATION FOR RELATION IN BHEL**

(To be typed and submitted in the Letter Head of the Company/Firm of Bidder failing which the offer of Bidder is liable to be summarily rejected)

To,

(Write Name & Address of Officer of BHEL inviting the Tender)

Dear Sir,

Sub: Declaration for relation in BHEL

Ref: 1) GeM Bid Specification No:

I/We hereby submit the following information pertaining to relation/relatives of Proprieter/Partner(s)/ Director(s) employed in BHEL

Tick (√) any one as applicable:

1. The Proprieter, Partner(s), Director(s) of our Company/Firm DO NOT have any relation or relatives employed in BHEL

OR

2. The Proprieter, Partner(s), or Director(s) of our Company/Firm HAVE relation/relatives employed in BHEL and their particulars are as below:

i.

ii.

**(Signature, Date & Seal of Authorized
Signatory of the Bidder)**

Note:

1. Attach separate sheet, if necessary.
2. If BHEL Management comes to know at a later date that the information furnished by the Bidder is false, BHEL reserves the right to take suitable against the Bidder/Contractor.

ANNEXURE- 4

UNDERTAKING

(To be typed and submitted in the Letter Head of the Company/Firm of Bidder)

To,

(Write Name & Address of Officer of BHEL inviting the Tender)

Dear Sir/Madam,

Sub: DECLARATION REGARDING INSOLVENCY/ LIQUIDATION/ BANKRUPTCY PROCEEDINGS

Ref: GeM Bid Specification No:

I/We, _____ declare that,

I/We am/are not admitted under insolvency resolution process or liquidation under Insolvency and Bankruptcy Code, 2016, as amended from time to time or under any other law as on date, by NCLT or any adjudicating authority/authorities.

**Sign. of the AUTHORISED SIGNATORY
(With Name, Designation and Company seal)**

Place:

Date: