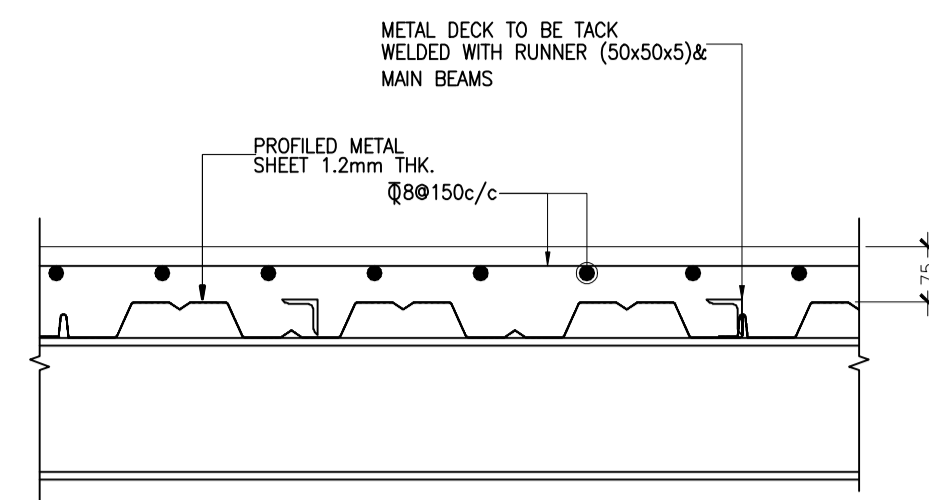
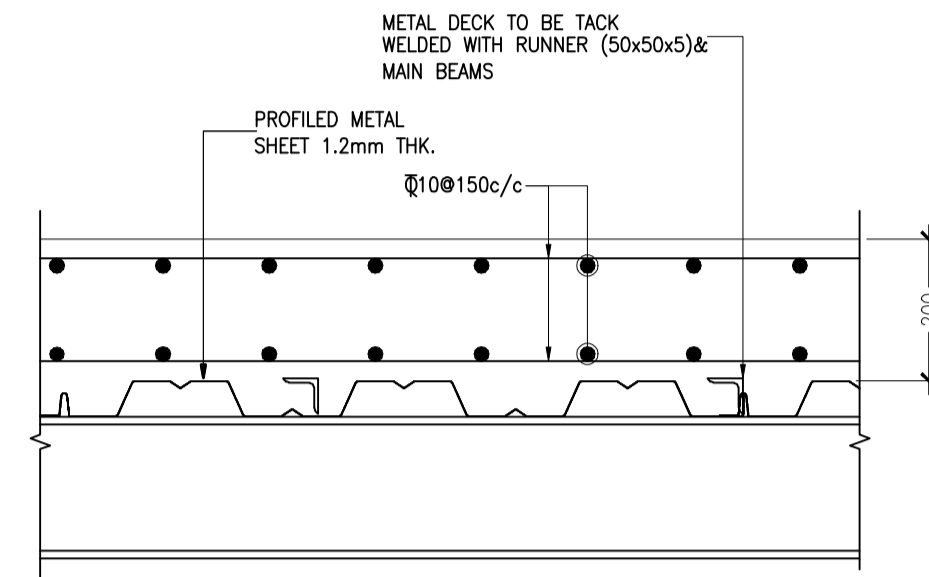


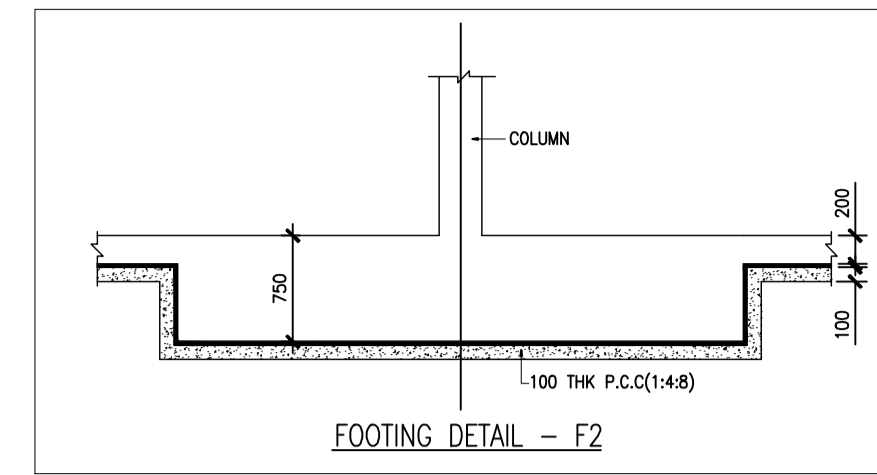
PART NON TOWER FOUNDATION PLAN



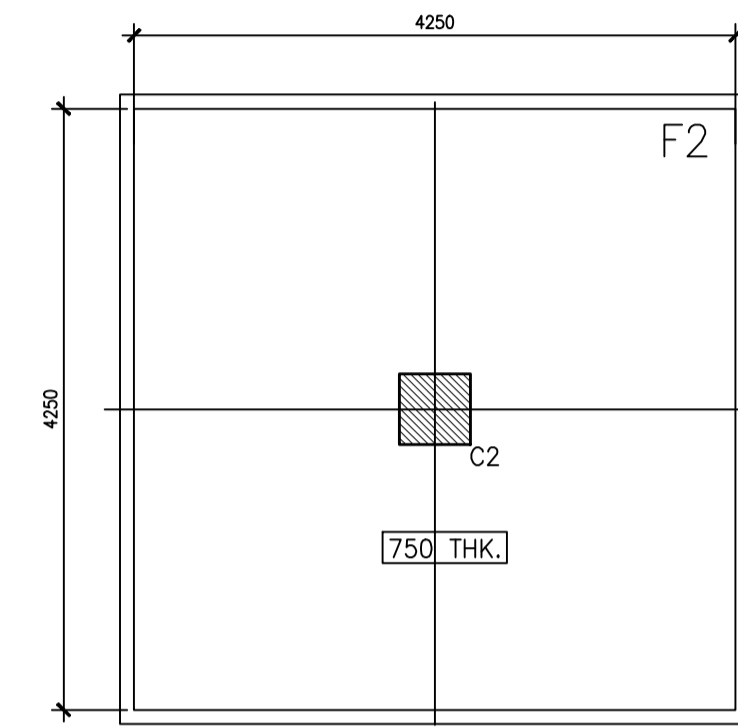
METAL DECK DETAIL  
(AT UPPER BASEMENT LVL.)



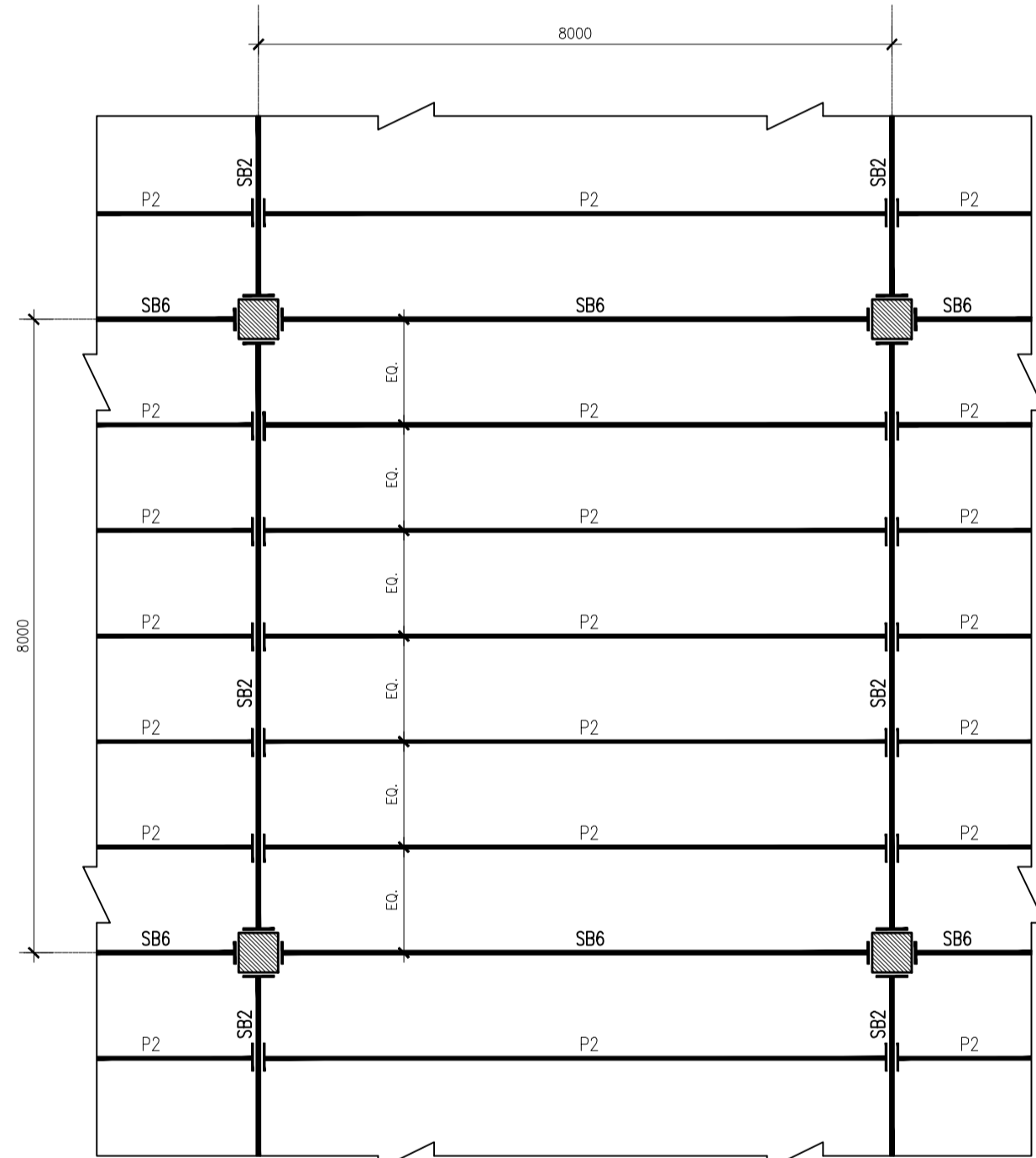
METAL DECK DETAIL  
(AT GROUND FL. LVL.)



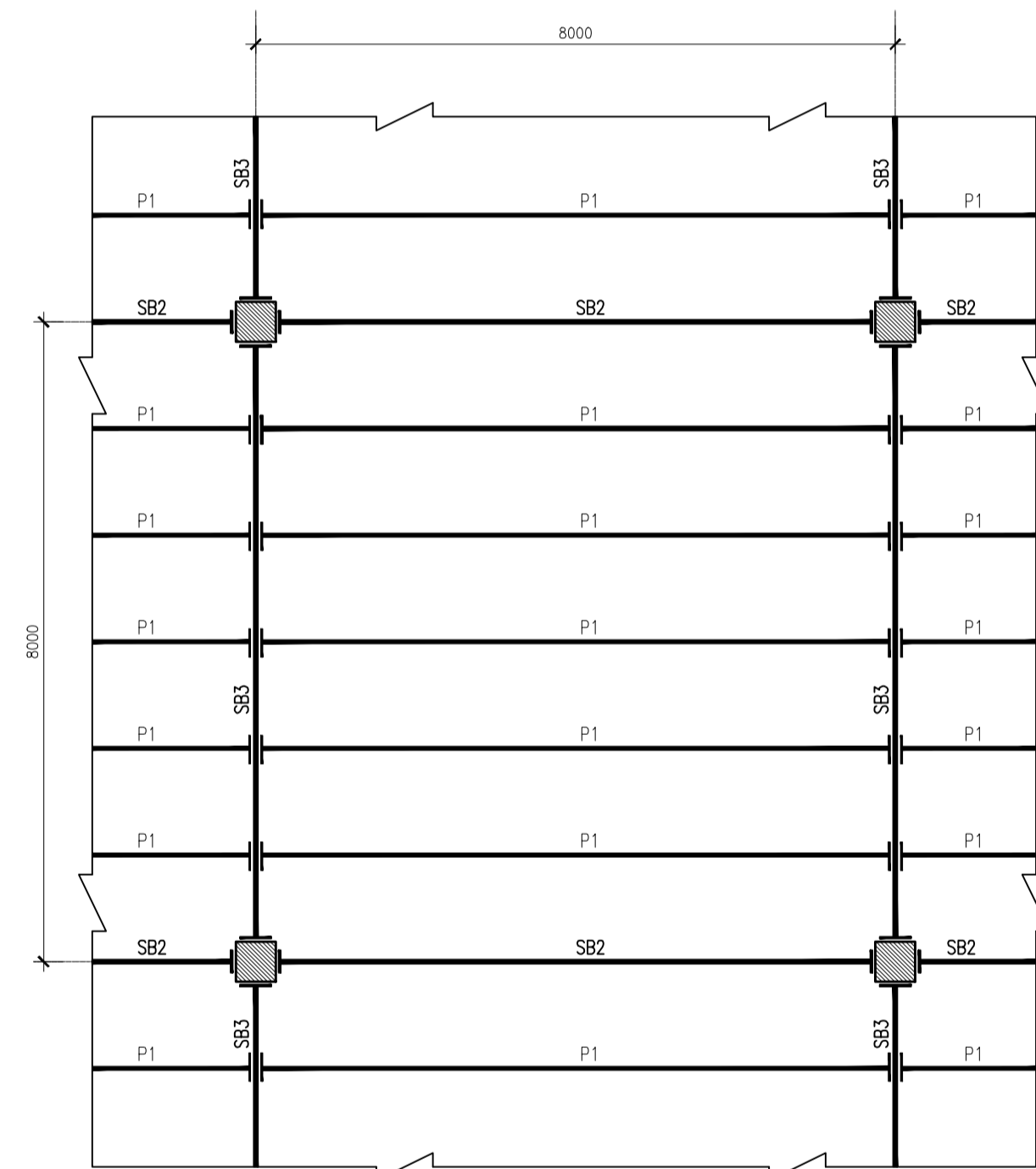
FOOTING DETAIL - F2



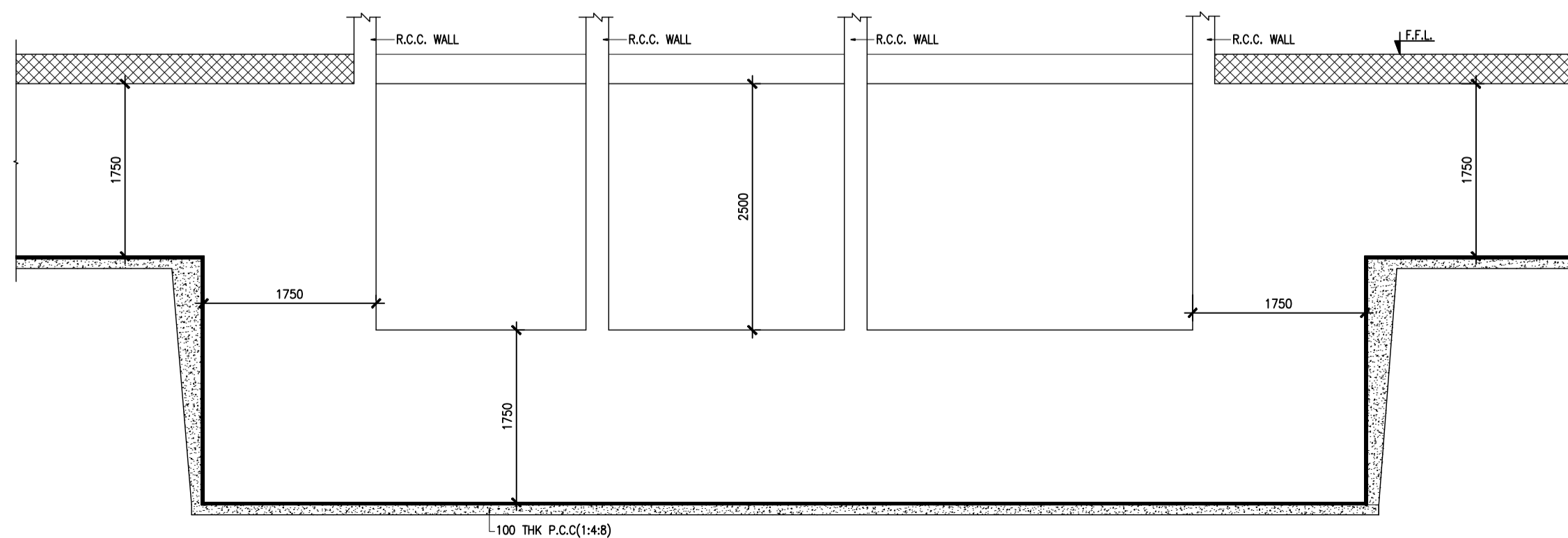
EXTENDED BASEMENT FOOTING - F2



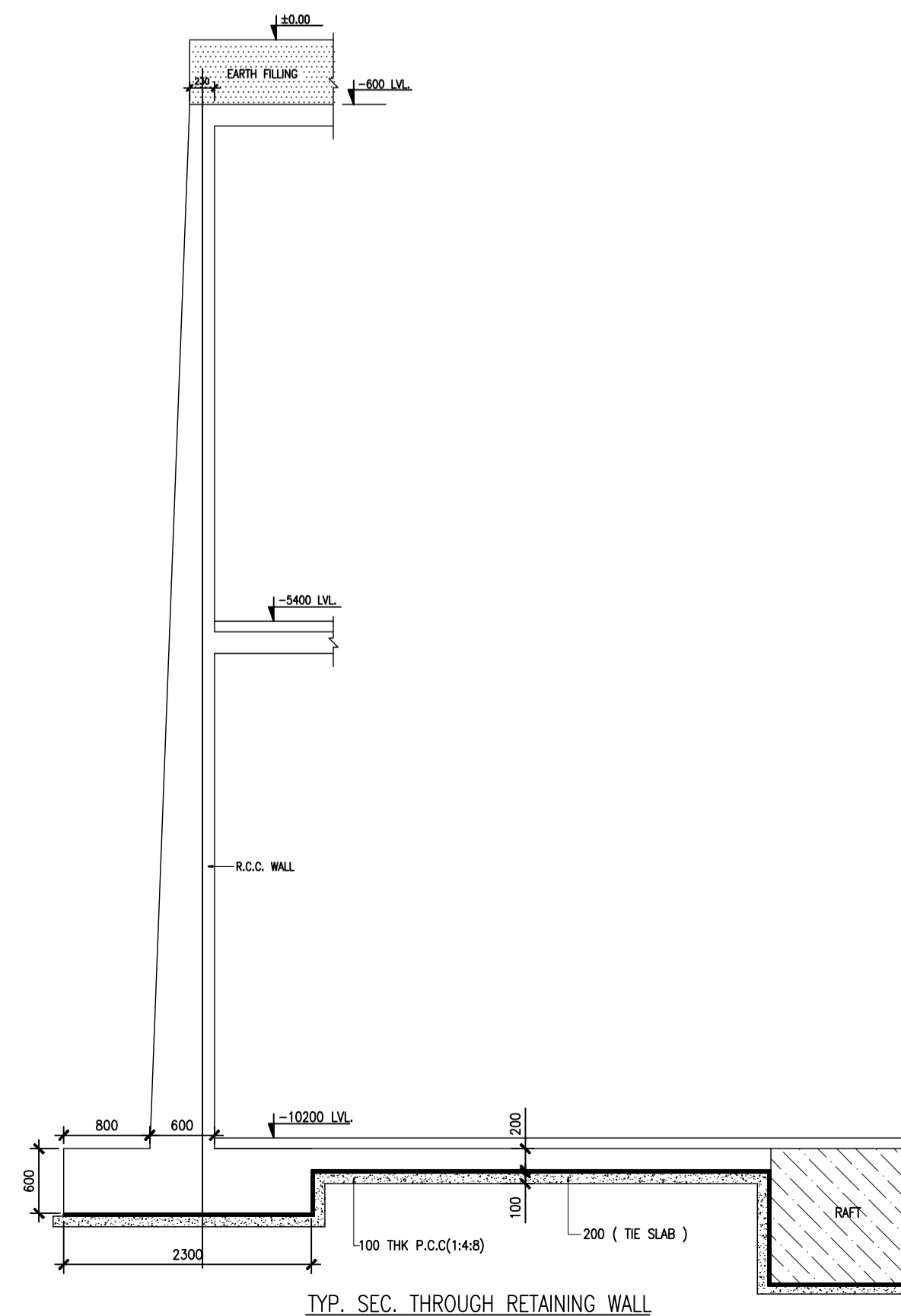
PART PLAN AT NON TOWER AREA (UPPER BASEMENT LVL.)



PART PLAN AT NON TOWER AREA (GROUND FLOOR LVL.)

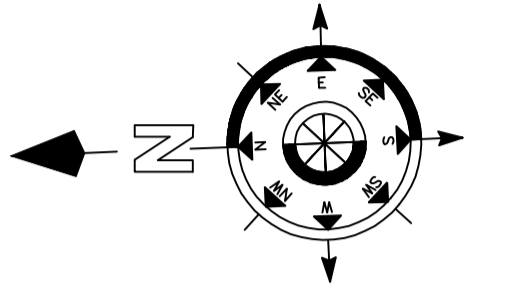


SECTION THROUGH LIFT PIT



TYP. SEC. THROUGH RETAINING WALL

This drawing and its contents are the sole property of SPACE COMBINE. Copying of this drawing or part thereof or its use in any form whatsoever without the written permission of SPACE COMBINE is strictly prohibited.



no.	date	issued to

rev. no.	date	revision
R1	17/03/2017	BUILDING REVISED

**client:**  
**BHEL**  
 BHARAT HEAVY ELECTRICAL LIMITED  
 BHEL HOUSE, SIRI FORT NEW DELHI

**project :**  
**CORPORATE TOWER**  
**AT MDI COMPLEX FOR BHEL**  
 AT PLOT-25, SECTOR 16-A, NOIDA (U.P.)

**title :**  
**FOUNDATION DETAILS**

**drawing released for :**  
 DPR  
 AUTHORITY  
 CONSTRUCTION

**drw. no.** SC/BH/A/01-A **date** 27/06/2017

**scale** 1:100 **revision** -

**drawn by** - **ckd by** -

**architects**  
**SPACE COMBINE**  
 Architects, Engineers, Planners  
 A1/112 SAFDARJUNG ENCLAVE,  
 Ph.No:- 46150000  
 NEW DELHI 110029