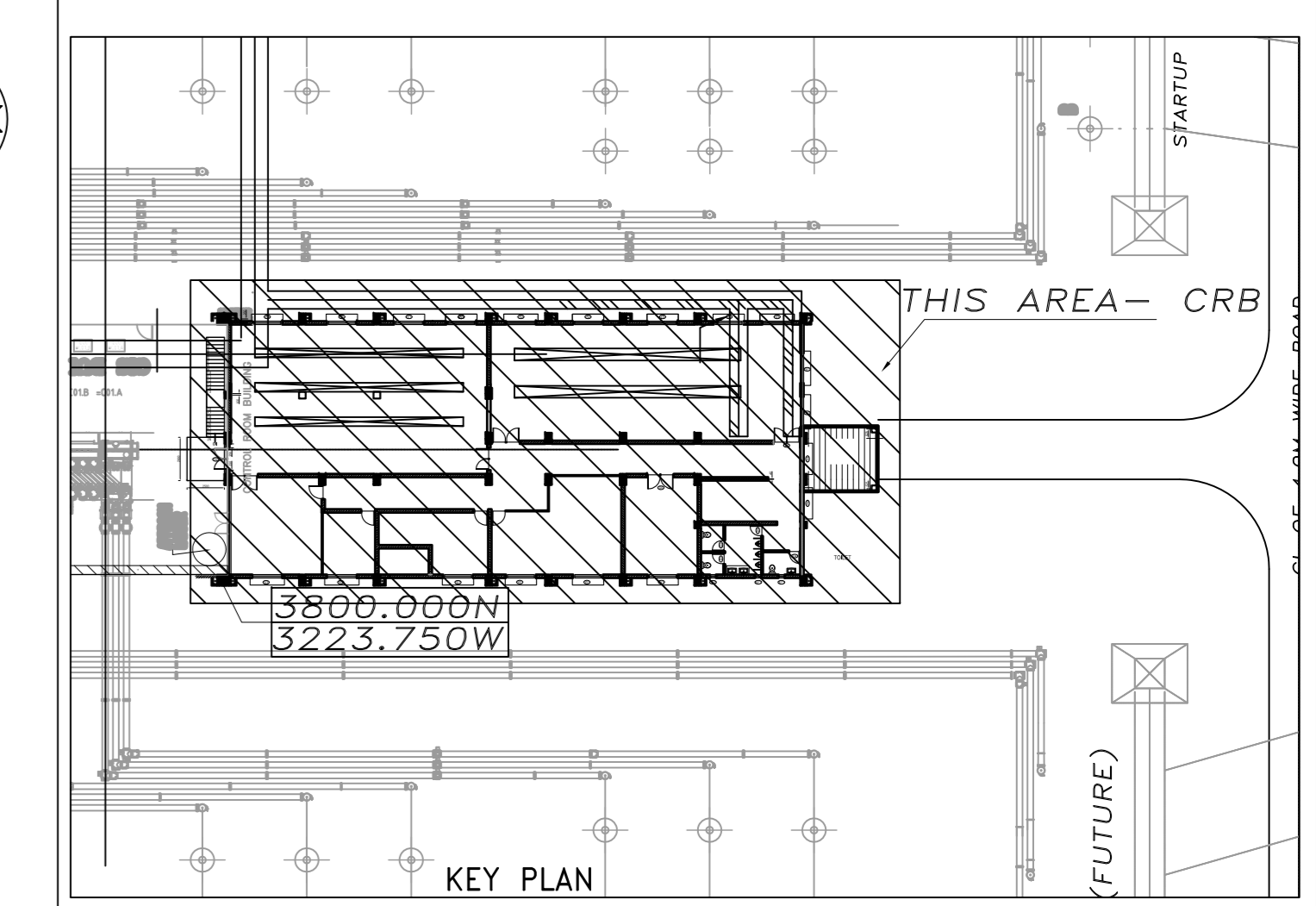




ELEVATION-A



ELEVATION-B



NOTES

1. ALL THE DIMENSIONS ARE IN MILLIMETER AND LEVELS ARE IN METER UNLESS SPECIFIED OTHERWISE.
2. (A) 0.000M CORRESPONDS TO FGL AT RL 9.50M
3. ALL THE LEVELS ARE FROM FGL.
4. DRAWINGS ARE NOT TO BE SCALED. ONLY WRITTEN DIMENSIONS ARE TO BE FOLLOWED.
5. IN THE EVENT OF ANY DISCREPANCIES OR DIFFERENCE BETWEEN ANY ARCHITECTURAL DRAWINGS AND STRUCTURAL ENGINEERING DRAWINGS OR SITE CONDITIONS OR OTHERWISE, DRAWINGS OR ANY OTHER IMMEDIATE REF. SHOULD BE MADE TO THE ARCHITECT FOR CLARIFICATIONS PRIOR TO EXECUTION OF WORK.
6. FALSE CEILING SHALL BE PROVIDED OF LIGHT WEIGHT MINERAL FIBRE TILE TYPE FALSE CEILING.

EXTRENAL FACE COLOUR SCHEME

	EXTERNAL FACE COLOUR ON WALL MATCHING WITH RAL-6002
	EXTERNAL FACE COLOUR ON COLUMN & PARAPET WALL MATCHING WITH RAL-6012

REFERENCE DRAWINGS:

SR. NO.	DESCRIPTION	NUMBER
1	CONCEPTUAL LAYOUT OF CRB FOR SWITCHYARD	TB-378-610-004
2	FOUNDATION DETAILS OF CRB	TB-1-378-607-624

LEGENDS:

	230 THK. BRICK WALL
	115 THK. BRICK WALL
	COLUMN
	PROJECTION
EF	EXHAUST FAN
FGL	FINISHED GROUND LEVEL
FFL	FINISHED FLOOR LEVEL
THK	THICKNESS
TOP	TOP OF PARAPET WALL
TDC	TOP OF CONCRETE
PAC-AC	PRECISION AIR CONDITIONER
SPLIT-AC	SPLIT AIR CONDITIONER

PROJECT 2 X 660 MW ENNORE SEZ SUPERCRITICAL THERMAL POWER PROJECT AT ASH DYKE OF NCTPS, CHENNAI - 120

CUSTOMER TAMILNADU GENERATION AND DISTRIBUTION CORPORATION

OWNER'S CONSULTANT DEESIN PRIVATE LIMITED DEESIN HOUSE, GREATER KAILASH II, NEW DELHI

CONTRACTOR'S CONSULTANT DESIGN SOLUTIONS INC. SCO 43, 2nd FLOOR, SECTOR 4, PANCHKULA, HARYANA - 134112

BHARAT HEAVY ELECTRICALS LTD. TRANSMISSION PROJECTS DIVISION

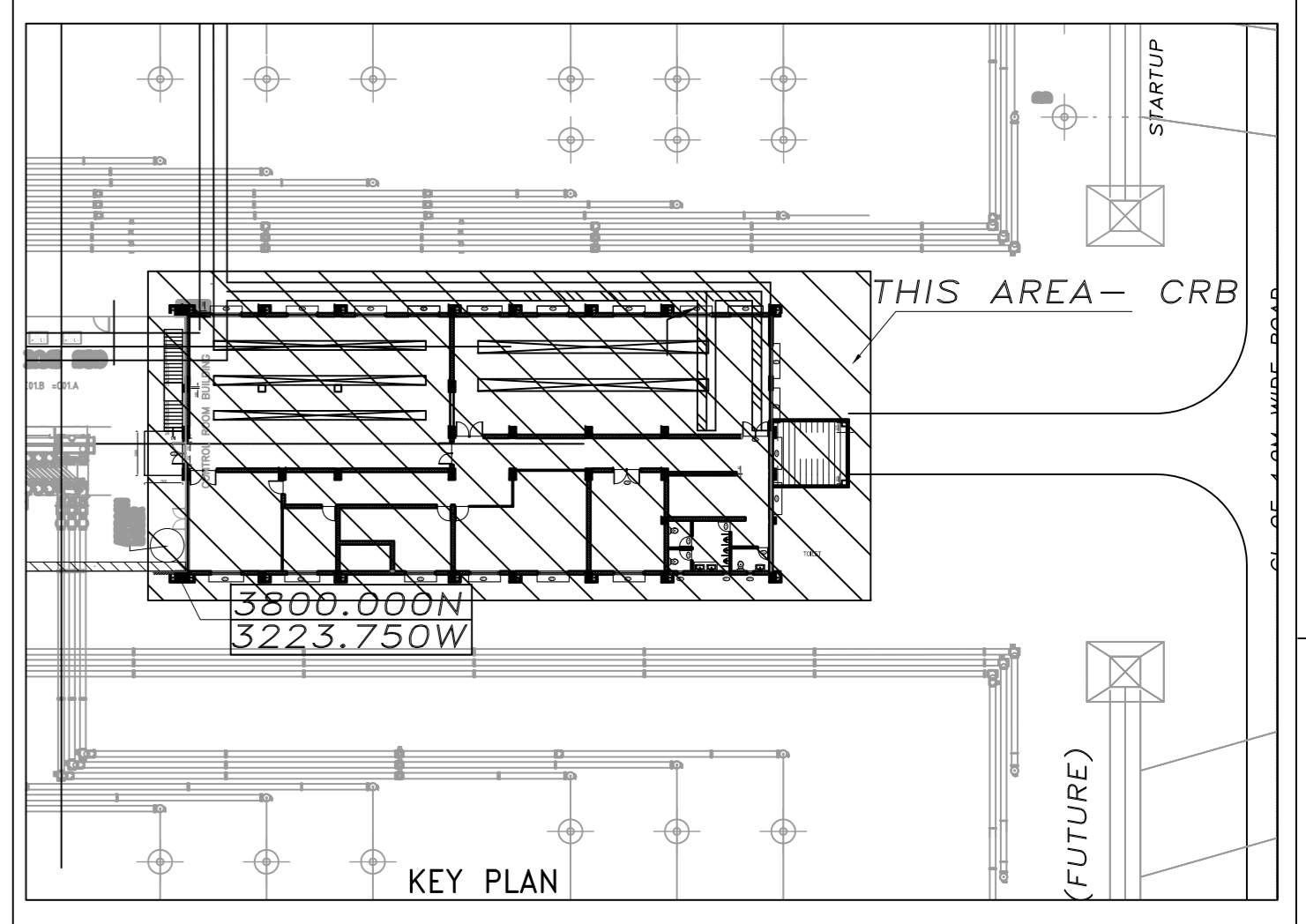
REV.	DATE	BY	CHKD.	APPD.	DESCRIPTION
01	04.10.18	MM	MM	MM	ISSUED FOR PERMIT
02	04.10.18	MM	MM	MM	ISSUED FOR PERMIT
03	04.10.18	MM	MM	MM	ISSUED FOR PERMIT

ARCH DRAWINGS- ELEVATIONS CONTROL ROOM BUILDING TB-0-378-607-620-2 SHEET NO. 1

COPYRIGHT AND CONFIDENTIALITY NOTICE: THE INFORMATION ON THIS DRAWING IS THE PROPERTY OF BHARAT HEAVY ELECTRICALS LTD. IT IS NOT TO BE USED IN ANY MANNER DETRIMENTAL TO THE INTERESTS OF THE COMPANY.

18-0-378-607-620-2

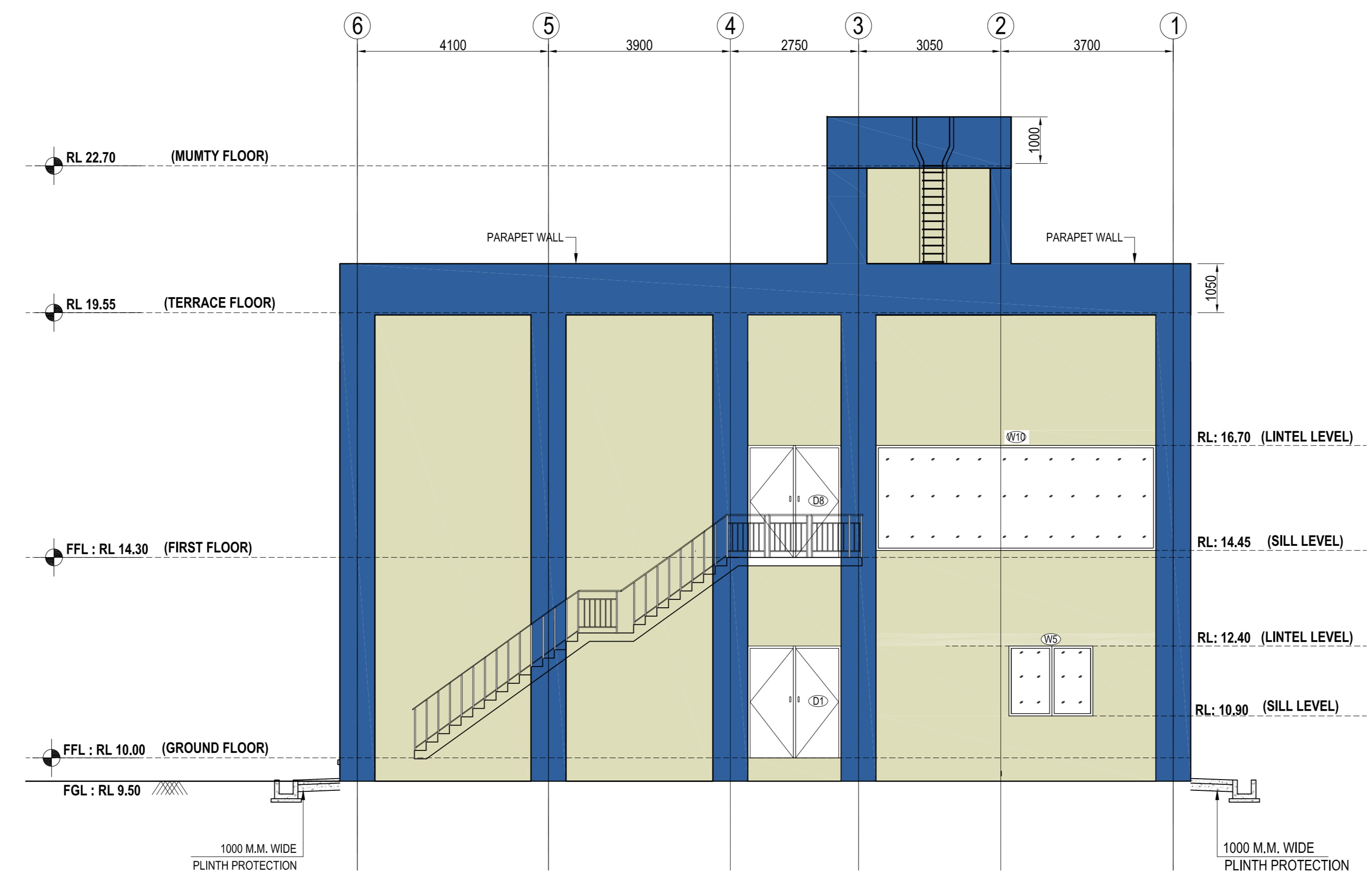
DRAWING NO.



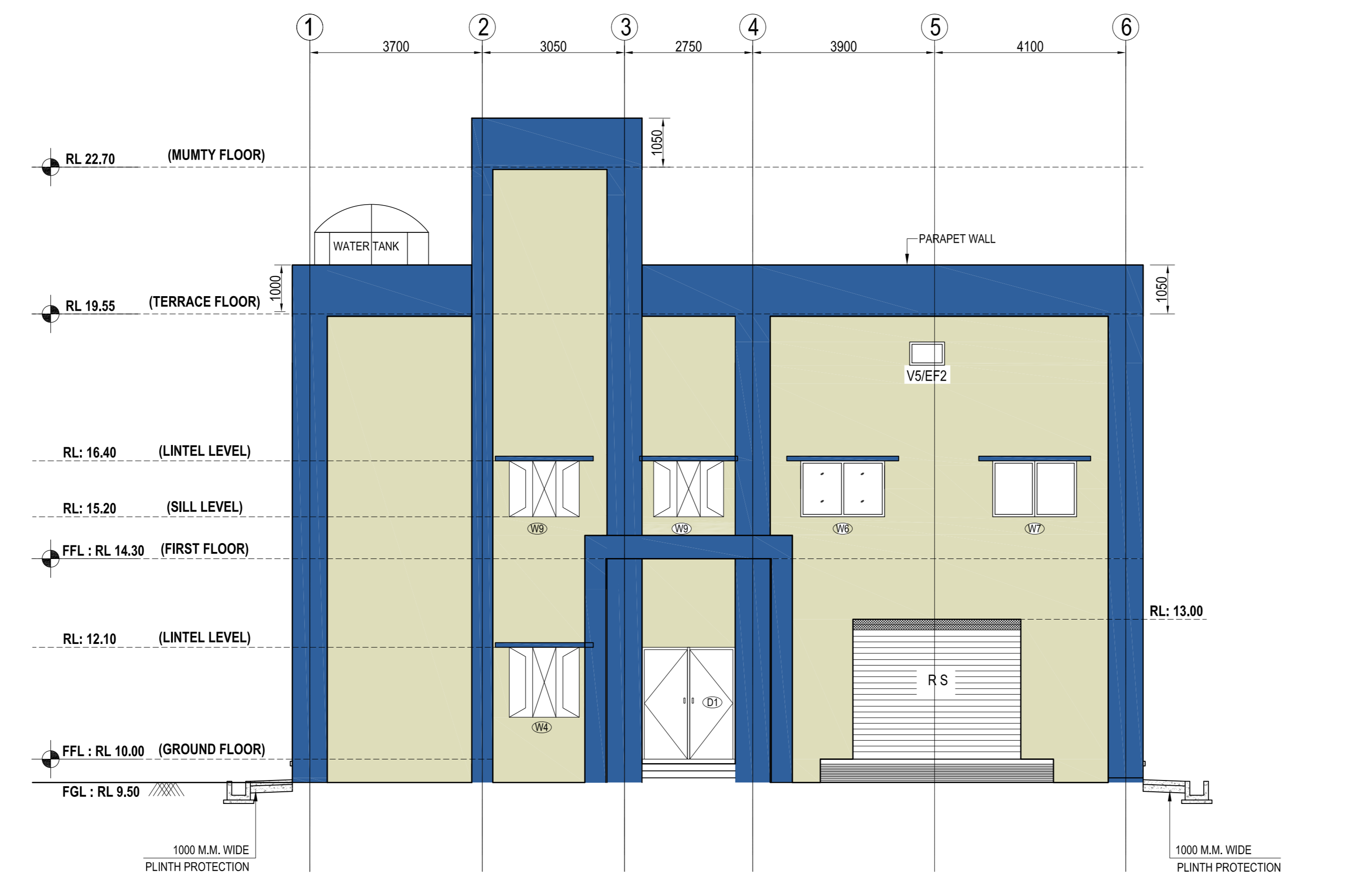
NOTES
1. ALL THE DIMENSIONS ARE IN MILLIMETER AND LEVELS ARE IN METER UNLESS SPECIFIED OTHERWISE.
2. 1410.000M CORRESPONDS TO FGL AT RL 9.90M
3. ALL THE LEVELS ARE FROM FGL
4. DRAWINGS ARE NOT TO BE SCALED. ONLY WRITTEN DIMENSIONS ARE TO BE FOLLOWED.
5. IN THE EVENT OF ANY DISCREPANCIES OR DIFFERENCE BETWEEN ANY ARCHITECTURAL DRAWINGS AND STRUCTURAL ENGINEERING DRAWINGS OR SITE CONDITIONS OR OTHERWISE, DRAWINGS OR ANY OTHER IMMEDIATE REF. SHOULD BE MADE TO THE ARCHITECT FOR CLARIFICATIONS PRIOR TO EXECUTION OF WORK.
6. FALSE CEILING SHALL BE PROVIDED OF LIGHT WEIGHT MINERAL FIBRE TILE TYPE FALSE CEILING.

REFERENCE DRAWINGS:

SRL NO.	DESCRIPTION	NUMBER
1	CONCEPTUAL LAYOUT OF CRB FOR SWITCHYARD	TB-378-610-004
2	FOUNDATION DETAILS OF CRB	TB-1-378-607-624



ELEVATION-C



ELEVATION-D

LEGENDS:

	230 THK. BRICK WALL
	115 THK. BRICK WALL
	COLUMN
	PROJECTION
EF	EXHAUST FAN
FGL	FINISHED GROUND LEVEL
FFL	FINISHED FLOOR LEVEL
THK	THICKNESS
TOP	TOP OF PARAPET WALL
TOC	TOP OF CONCRETE
PAC-AC	PRECISION AIR CONDITIONER
SPLIT-AC	SPLIT AIR CONDITIONER

PROJECT 2 X 660 MW ENNORE SEZ SUPERCRITICAL THERMAL POWER PROJECT AT ASH DYKE OF NCTPS, CHENNAI - 120

CUSTOMER TAMILNADU GENERATION AND DISTRIBUTION CORPORATION

OWNER'S CONSULTANT DESEIN PRIVATE LIMITED DESEIN HOUSE, GREATER KAILASH II, NEW DELHI

CONTRACTOR'S CONSULTANT DESIGN SOLUTIONS INC. SCO 43, 2nd FLOOR, SECTOR 4, PANCHKULA, HARYANA - 134112

BHARAT HEAVY ELECTRICALS LTD. TRANSMISSION PROJECTS DIVISION

REVISIONS:

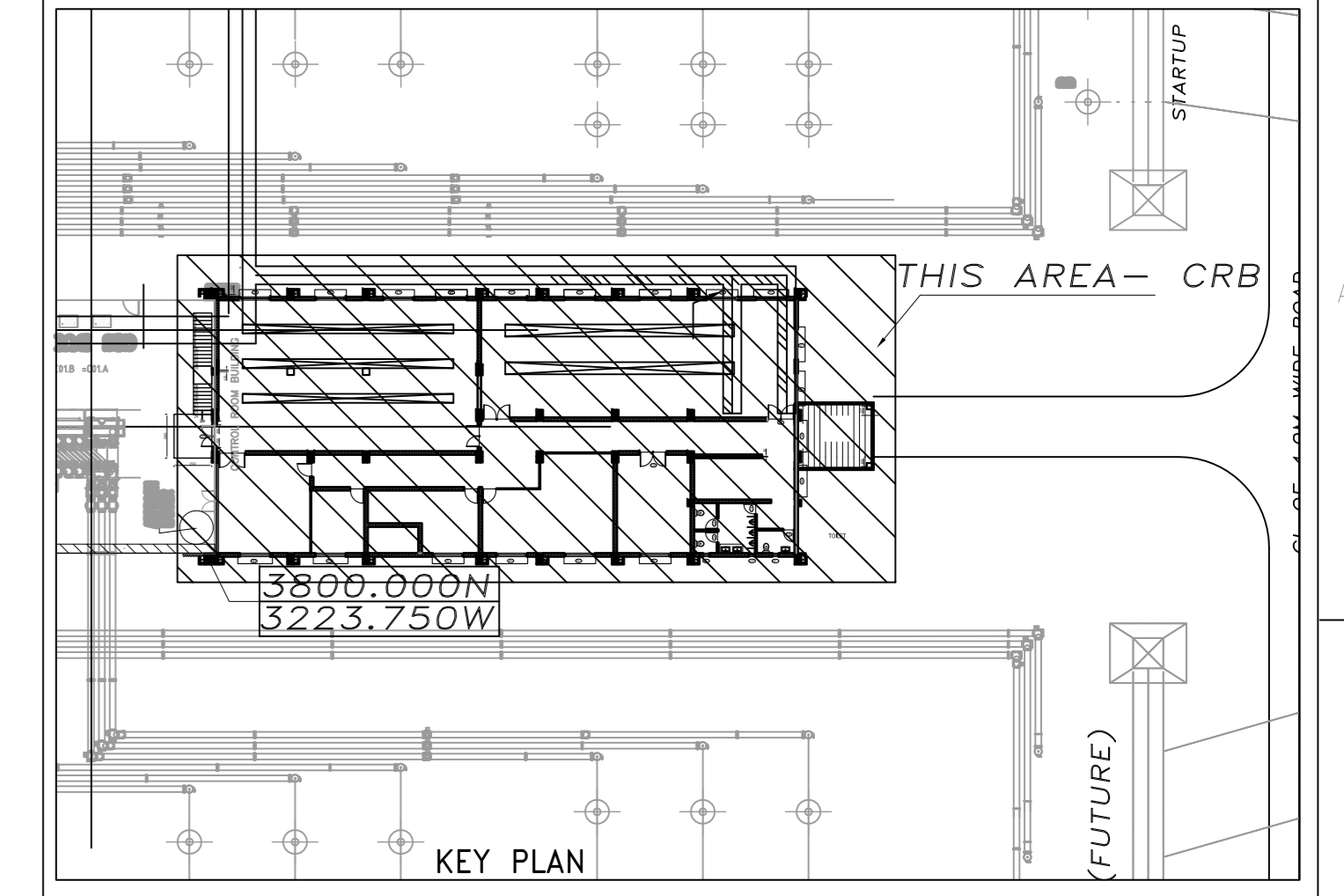
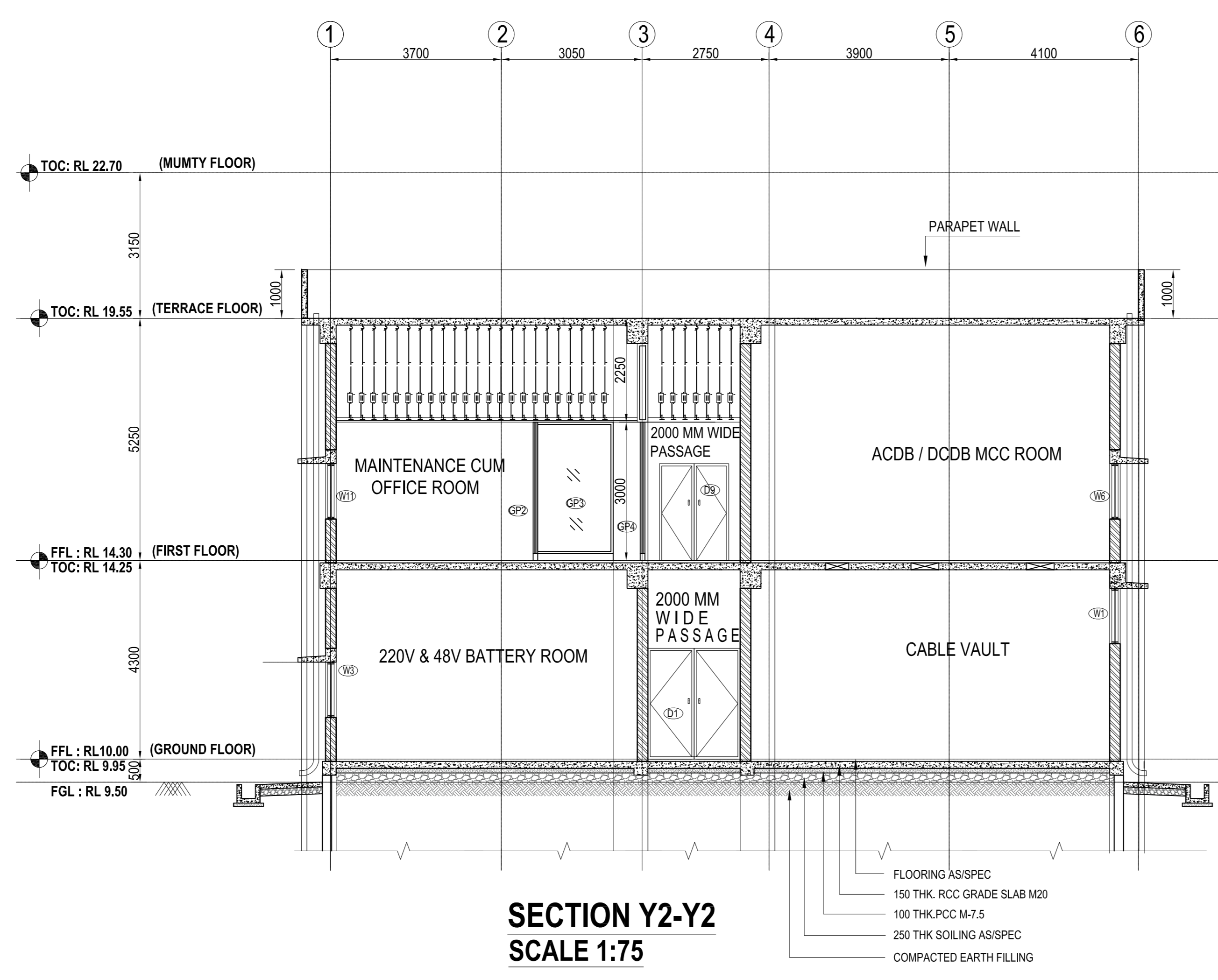
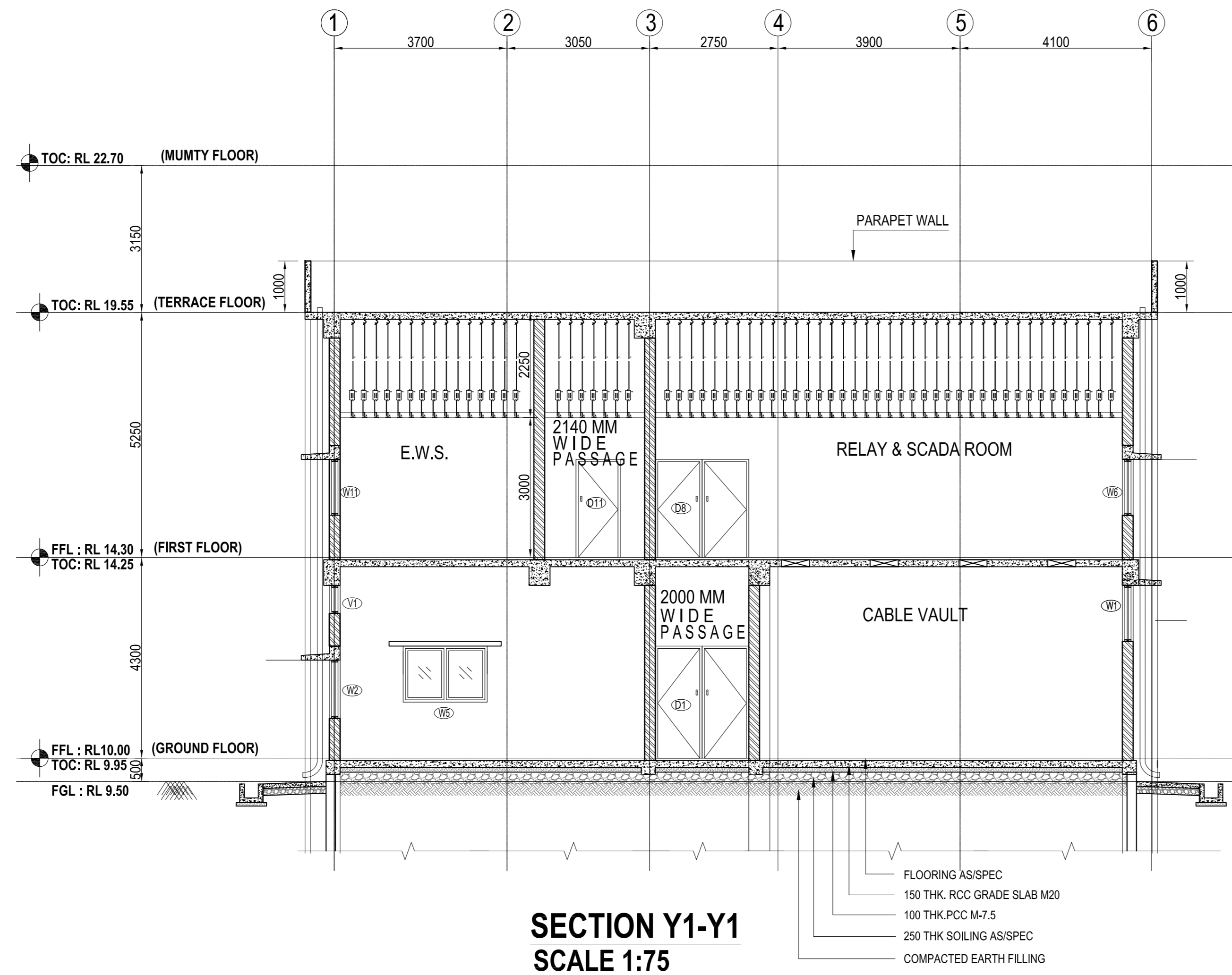
REV	DATE	DESCRIPTION
01	18/01/18	ISSUED FOR PER-CUSTOMER COMMENTS
02	24/02/18	ISSUED FOR PER-CUSTOMER COMMENTS
03	21/03/18	ISSUED FOR PER-CUSTOMER COMMENTS

ARCH DRAWINGS - ELEVATIONS CONTROL ROOM BUILDING TB-0-378-607-620-2

COPYRIGHT AND CONFIDENTIAL INFORMATION. The information on this document is the property of BHARAT HEAVY ELECTRICALS LTD. It may not be used in any way detrimental to the interest of the Company.

REV	DATE	DESCRIPTION	BY	CHECKED	APPROVED
01	18/01/18	ISSUED FOR PER-CUSTOMER COMMENTS			
02	24/02/18	ISSUED FOR PER-CUSTOMER COMMENTS			
03	21/03/18	ISSUED FOR PER-CUSTOMER COMMENTS			

1B-0-378-607-620-3 ON SHYVAC



- NOTES
1. ALL THE DIMENSIONS ARE IN MILLIMETER AND LEVELS ARE IN METER UNLESS SPECIFIED OTHERWISE.
 2. (A) 0.000M CORRESPONDS TO FGL AT RL 9.50M
 3. ALL THE LEVELS ARE FROM FGL.
 4. DRAWINGS ARE NOT TO BE SCALED. ONLY WRITTEN DIMENSIONS ARE TO BE FOLLOWED.
 5. IN THE EVENT OF ANY DISCREPANCIES OR DIFFERENCE BETWEEN ANY ARCHITECTURAL DRAWINGS AND STRUCTURAL ENGINEERING DRAWINGS OR SITE CONDITIONS OR OTHERWISE, DRAWINGS OR ANY OTHER IMMEDIATE REF. SHOULD BE MADE TO THE ARCHITECT FOR CLARIFICATIONS PRIOR TO EXECUTION OF WORK.
 6. FALSE CEILING SHALL BE PROVIDED OF LIGHT WEIGHT MINERAL FIBRE TILE TYPE FALSE CEILING.

REFERENCE DRAWINGS:

SR. NO.	DESCRIPTION	NUMBER
1	CONCEPTUAL LAYOUT OF CRB FOR SWITCHYARD	TB-378-610-004
2	FOUNDATION DETAILS OF CRB	TB-1-378-607-624

LEGENDS:

	230 THK BRICK WALL
	115 THK BRICK WALL
	COLUMN
PROJECTION	
EF	EXHAUST FAN
FGL	FINISHED GROUND LEVEL
FFL	FINISHED FLOOR LEVEL
THK	THICKNESS
TOP	TOP OF PARAPET WALL
TOC	TOP OF CONCRETE
PAC-AC	PRECISION AIR CONDITIONER
SPLIT-AC	SPLIT AIR CONDITIONER

PROJECT 2 X 660 MW ENNORE SEZ SUPERCRITICAL THERMAL POWER PROJECT AT ASH DYKE OF NCTPS, CHENNAI - 120

CUSTOMER TAMILNADU GENERATION AND DISTRIBUTION CORPORATION

OWNER'S CONSULTANT DESEIN PRIVATE LIMITED DESEIN HOUSE, GREATER KAILASH II, NEW DELHI

CONTRACTOR'S CONSULTANT DESIGN SOLUTIONS INC. SCO 43, 2nd FLOOR, SECTOR 4, PANCHKULA, HARYANA - 134112

REV.	DATE	BY	CHKD.	APPD.	REVISION

REV.	DATE	BY	CHKD.	APPD.	REVISION

ARCH DRAWINGS- SECTIONS CONTROL ROOM BUILDING

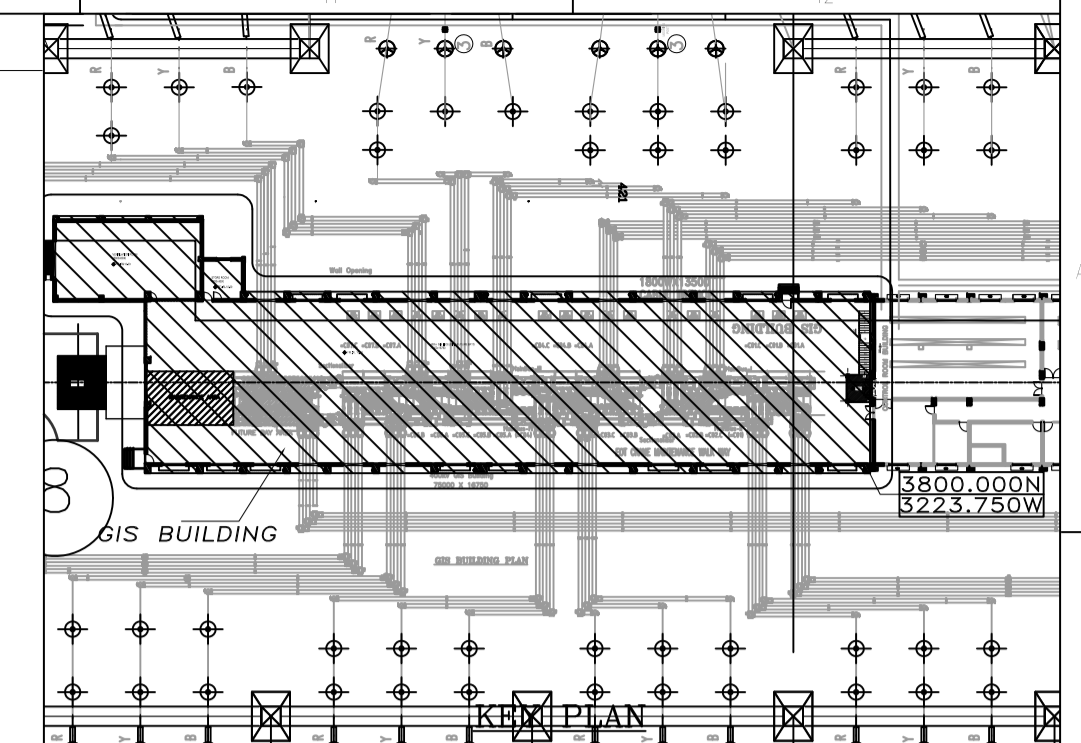
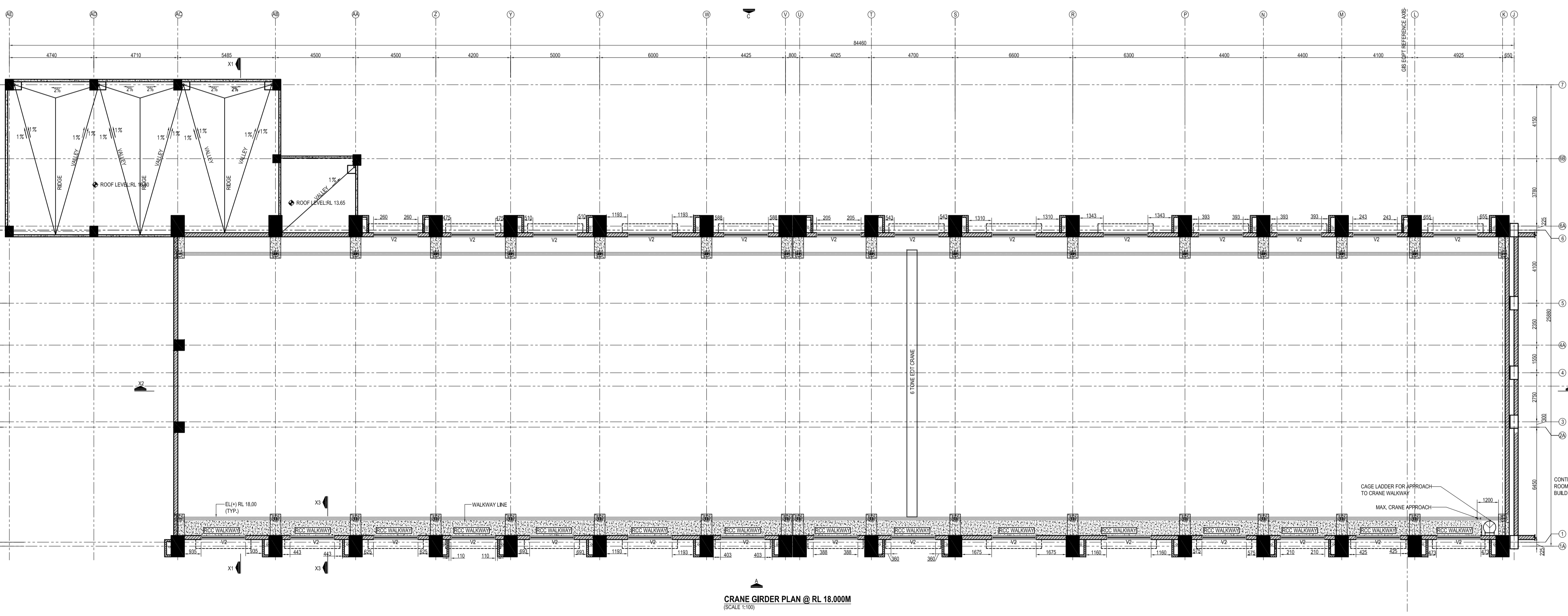
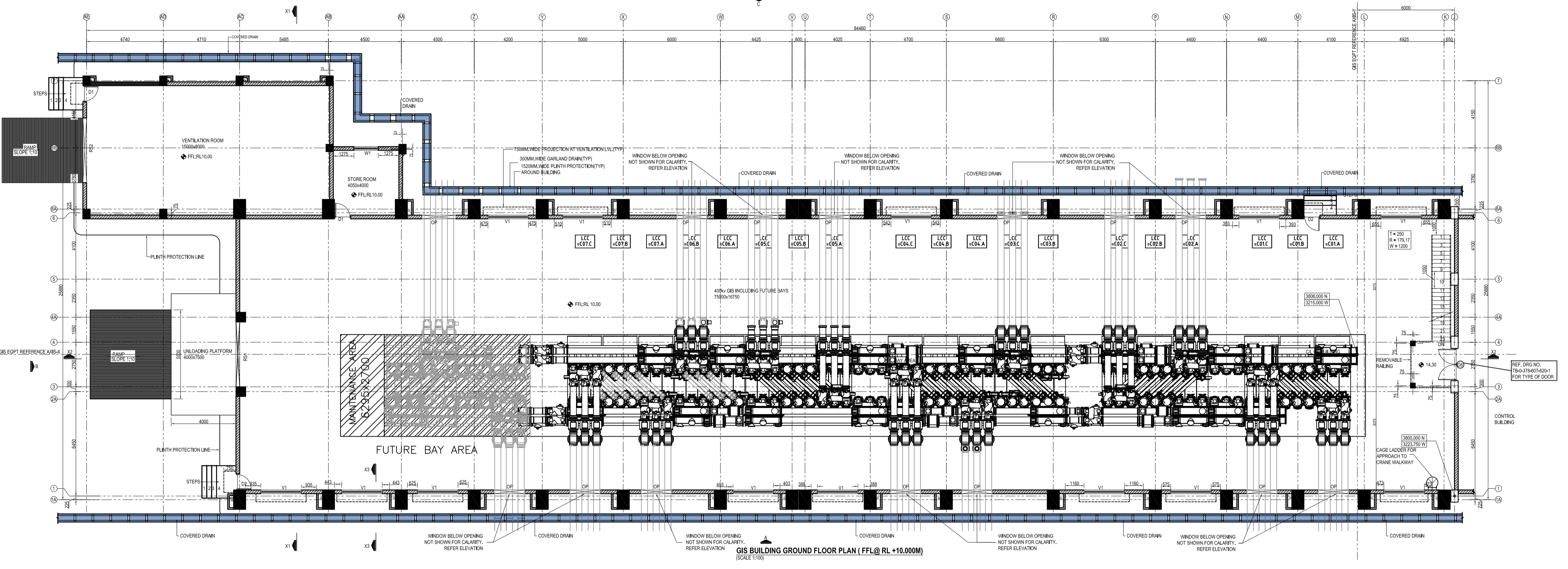
TB-0-378-607-620-3
SHEET NO. 2 OF 2

COPYRIGHT AND CONFIDENTIALITY NOTICE: The information on this drawing is the property of Bharat Heavy Electricals Ltd. It shall not be used in any way detrimental to the interest of the Company.

SHEET NO. 2 OF 2

SHEET NO. 2 OF 2

1-096-607-640-1



- NOTES**
- ONLY WRITTEN DIMENSION SHALL BE FOLLOWED DO NOT SCALE THE DRAWING.
 - ALL DIMENSIONS ARE IN MM & LEVELS ARE IN MTR UNLESS OTHERWISE NOTED.
 - ALL MEASUREMENT MUST BE CHECKED AND VERIFIED AT SITE. ANY DISCREPANCY FOUND, TO BE NOTIFIED TO THE DESIGNER BEFORE EXECUTION.
 - FGL HAS BEEN CONSIDERED AT RL 9.50
 - ALL DIMENSIONS SHOWN IN THE DRAWING ARE CLEAR DIMENSIONS.
 - THIS DRAWING SHALL BE READ IN CONJUNCTION WITH CONTRACT TERMS & CONDITIONS, SPECIFICATION, SCHEDULE OFFITEM & OTHER ARCHITECTURAL DRAWING.
 - DOOR & WINDOW WIDTH MENTIONED IN THE SCHEDULE ARE CLEAR MASONRY OPENING IN WALL.
 - ALL THE DIMENSIONS OF THE ROOM ARE WALL TO WALL CLEAR DIMENSIONS.
 - ALL FURNITURE AND CONFERENCE ROOM WITH ALL AMENITIES SHALL BE PROVIDED AS PER SPECIFICATIONS.
 - GRANITE SLAB SHALL BE PROVIDED AT SILL LEVEL FOR WINDOWS.

- LEGEND:**
- FGL - FINISHED GROUND LEVEL
 - FFL - FINISHED FLOOR LEVEL
 - BOS - BOTTOM OF THE SLAB
 - TOC - TOP OF CONCRETE
 - TOR - TOP OF ROAD
 - RWDP - RAIN WATER DOWNTAKE PIPE
 - 230 THK BRICK WALL
 - 115 THK BRICK WALL

GENERAL CIVIL SPECIFICATIONS

BRICK WORK :-
BRICKS HAVING MINIMUM 75 kg/sq.cm COMPRESSIVE STRENGTH SHALL BE USED.
CEMENT AND SAND MORTAR 1:5 FOR ONE BRICK THICK WALL AND 1:4 FOR HALF BRICK THICK WALL SHALL BE USED.

DAMP PROOF COURSE :-
50mm THICK 1:1.5:3 CONCRETE WITH PROOFING ADMIXTURE.

ROOF WATER PROOFING :-
ALL ROOFS SHALL BE PROVIDED WITH EXTRA HEAVY DUTY WATER PROOFING TREATMENT COMPRISING OF SEVEN COURSES AS PER IS:1346 USING LAYER OF TYPE 2 GRADE 1 GLASS FIRE BASED FELT AS PER IS:1193 ALL AS SPECIFIED IN CLAUSE 18.07.00.

- PLASTER :-**
- EXTERNAL PLASTER: 20mm THICK IN 2 COATS, 1st COAT OF 12mm THICK IN C:M 1:3 & 2nd COAT OF 8mm THICK IN C:M 1:2 SAND FACED.
 - INTERNAL PLASTER: 12mm THICK (1 CEMENT : 3 SAND)
 - CEILING PLASTER: 6mm THICK (1 CEMENT : 3 SAND)

FLOORING :-
GRANOLITHIC WITH NON-METALLIC FLOOR HARDNER & TOP FINISHED WITH EPOXY COATING.

RAIN WATER DOWN COMERS :-
FOR ROOFING DRAINAGE, 100mm PVC RAIN WATER TAKE PIPE SHALL BE PROVIDED.

CHAJJA & CANOPIES TOP :-
TOP SURFACE OF CHAJJAS & CANOPIES SHALL BE MADE WATER PROOFING BY PROVIDING A SCREED LAYER OF ADEQUATE SLOPE

STAIRCASE
PROVIDING 50x50x5MM ANGEL AT THE NOSING IN EACH RISING

REMOVABLE MS HANDRAIL 900MM HIGH
HANDRAIL SHALL BE OF 32 MM NOMINAL NORE MS PIPE (MEDIUM CLASS) AS PER IS:1161 GALVANISED USING 750 GMS/SM OF ZINC. IT SHALL BE 900 MM HIGH CONSISTING OF TWO HORIZONTAL RAILS. VERTICAL POST SPACING SHALL NOT BE MORE THAN 1500 MM.

EXTERNAL FINISH
WATER PROOF CEMENT BASED PAINT

S.NO	DRAWING NO.	DESCRIPTION
01	TB-1-378-607-640-005	CONCEPTUAL OR BUILDING LAYOUT

PROJECT 2 X 660 MW ENNORE SEZ SUPERCRITICAL THERMAL POWER PROJECT AT ASH DYKE OF NCTPS, CHENNAI - 120

CUSTOMER TAMILNADU GENERATION AND DISTRIBUTION CORPORATION

OWNER'S CONSULTANT DESEIN PRIVATE LIMITED SECTOR 4, GREATER KAILASH II, NEW DELHI

CONTRACTOR'S CONSULTANT DESIGN SOLUTIONS INC. SCO 43, 2nd FLOOR, SECTOR 4, PANCHKULA, HARYANA - 134112

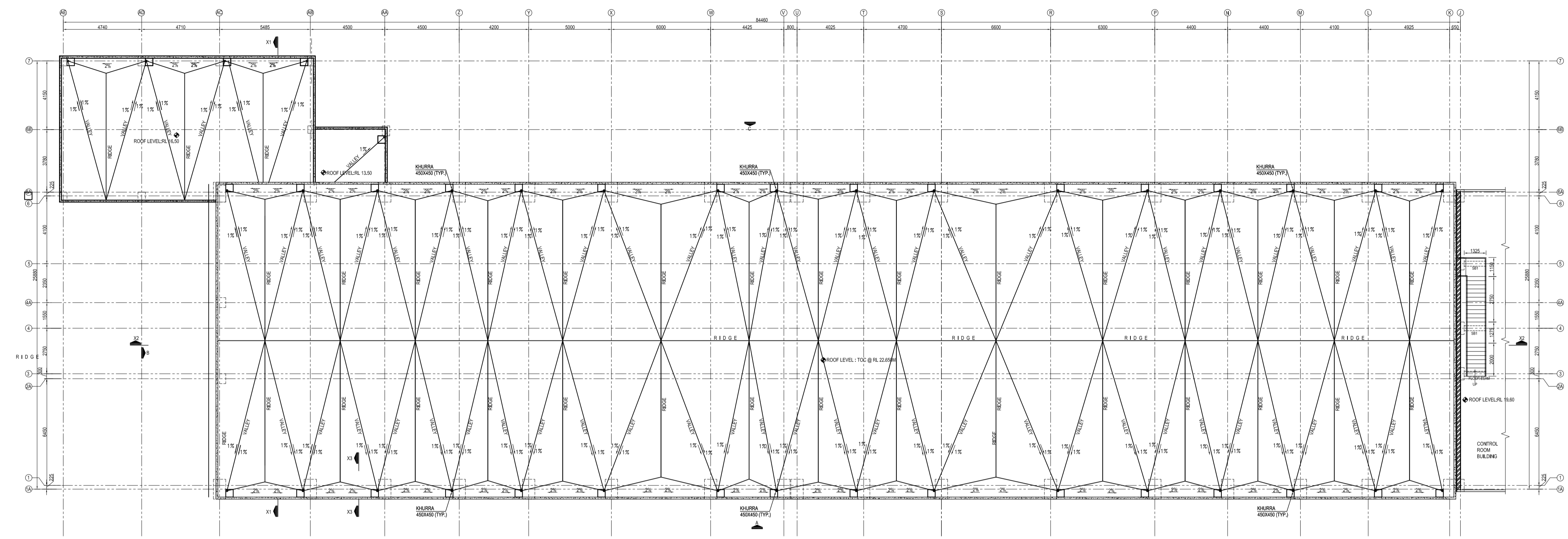
BHARAT HEAVY ELECTRICALS LTD. TRANSMISSION PROJECTS DIVISION

REV.	NO.	DESCRIPTION	DATE
01	1	ISSUED FOR APPROVAL	15/11/2017
02	2	ISSUED FOR APPROVAL	15/11/2017

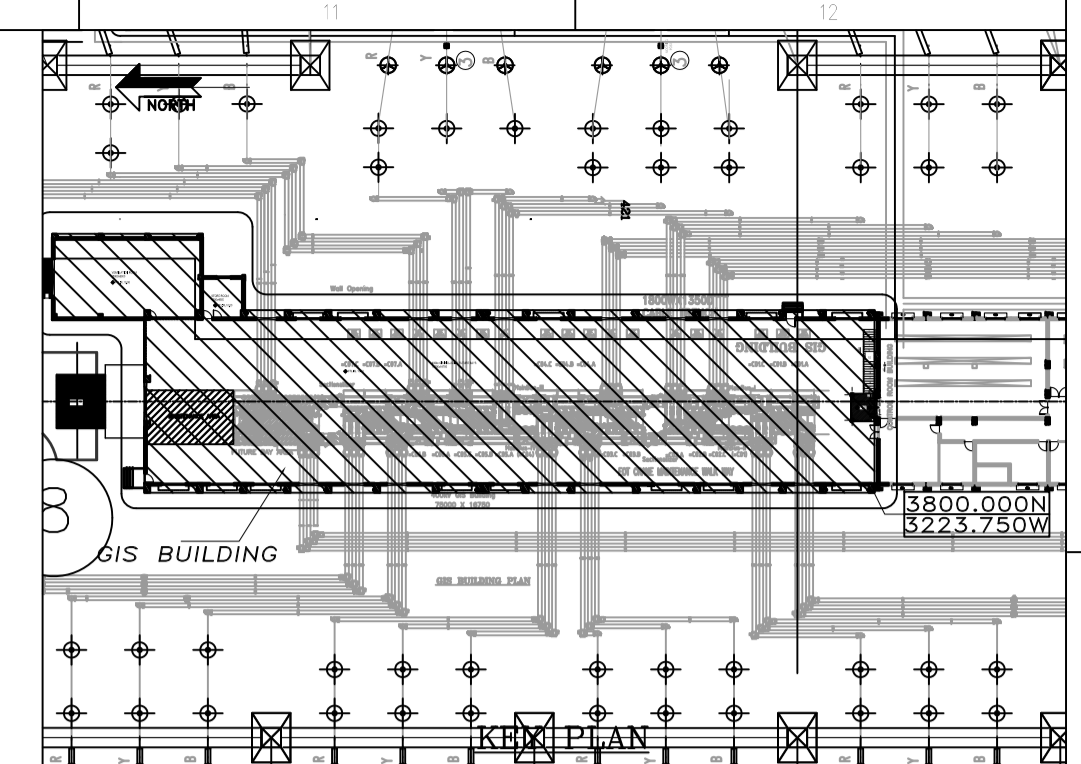
ARCHITECTURAL DRAWING - GROUND FLOOR & GANTRY GIRDER LEVEL PLANS OF GIS BUILDING

PROJECT NO. TB-1-378-607-640-1

1-099-709-9/5-1-B1



GIS BUILDING TERRACE FLOOR PLAN (TOC @ RL 22.650M)
SCALE 1:100



- NOTES**
- ONLY WRITTEN DIMENSION SHALL BE FOLLOWED DO NOT SCALE THE DRAWING.
 - ALL DIMENSIONS ARE IN MM & LEVELS ARE IN MTR UNLESS OTHERWISE NOTED.
 - ALL MEASUREMENT MUST BE CHECKED AND VERIFIED AT SITE. ANY DISCREPANCY FOUND, TO BE NOTIFIED TO THE DESIGNER BEFORE EXECUTION.
 - FGL HAS BEEN CONSIDERED AT RL 9.50
 - ALL DIMENSIONS SHOWN IN THE DRAWING ARE CLEAR DIMENSIONS.
 - THIS DRAWING SHALL BE READ IN CONJUNCTION WITH CONTRACT TERMS & CONDITIONS, SPECIFICATION, SCHEDULE OF WORK & OTHER ARCHITECTURAL DRAWING.
 - DOOR & WINDOW WIDTH MENTIONED IN THE SCHEDULE ARE CLEAR MASONRY OPENING IN WALL.
 - ALL THE DIMENSIONS OF THE ROOM ARE WALL TO WALL CLEAR DIMENSIONS.
 - ALL FURNITURE AND CONFERENCE ROOM WITH ALL AMENITIES SHALL BE PROVIDED AS PER SPECIFICATIONS.
 - GRANITE SLAB SHALL BE PROVIDED AT SILL LEVEL FOR WINDOWS.

LEGEND:

FGL - FINISHED GROUND LEVEL	230 THK BRICK WALL
FFL - FINISHED FLOOR LEVEL	115 THK BRICK WALL
BS - BOTTOM OF THE SLAB	
TOC - TOP OF CONCRETE	
TOR - TOP OF ROAD	
RWDP - RAIN WATER DOWNTAKE PIPE	

GENERAL CIVIL SPECIFICATIONS

BRICK WORK :-
BRICKS HAVING MINIMUM 75 kg/sq.m COMPRESSIVE STRENGTH SHALL BE USED.
CEMENT AND SAND MORTAR 1:5 FOR ONE BRICK THICK WALL AND 1:4 FOR HALF BRICK THICK WALL SHALL BE USED.

DAMP PROOF COURSE :-
50mm THICK 1:1.5:3 CONCRETE WITH PROOFING ADMIXTURE.

ROOF WATER PROOFING :-
ALL ROOFS SHALL BE PROVIDED WITH EXTRA HEAVY DUTY WATER PROOFING TREATMENT COMPRISING OF SEVEN COURSES AS PER IS:1346 USING LAYER OF TYPE 2 GRADE 1 GLASS FIBRE BASED FELT AS PER IS:7193 ALL AS SPECIFIED IN CLAUSE 18.07.00.

PLASTER :-

- EXTERNAL PLASTER 20mm THICK IN 2 COATS, 1st COAT OF 12mm THICK IN C:M 1:3 & 2nd COAT OF 8mm THICK IN C:M 1:2 SAND FACED.
- INTERNAL PLASTER 12mm THICK (1 CEMENT : 3 SAND)
- CEILING PLASTER 6mm THICK (1 CEMENT : 3 SAND)

FLOORING :-
GRANULITHIC WITH NON-METALLIC FLOOR HARDNER & TOP FINISHED WITH EPOXY COATING.

RAIN WATER DOWN COMERS :-
FOR ROOFING DRAINAGE, 100mm PVC RAIN WATER DOWN TAKE PIPE SHALL BE PROVIDED.

CHAJJA & CANOPIES TOP :-
TOP SURFACE OF CHAJJAS & CANOPIES SHALL BE MADE WATER PROOFING BY PROVIDING A SCREED LAYER OF ADEQUATE SLOPE

STAIRCASE
PROVIDING 50x50x5MM ANGEL AT THE NOSING IN EACH RISING

REMOVABLE MS HANDRAIL 900MM HIGH
HANDRAIL SHALL BE OF 32 MM NOMINAL NORE MS PIPE (MEDIUM CLASS) AS PER IS:1161 GALVANISED USING 750 GMS/SM OF ZINC. IT SHALL BE 900 MM HIGH CONSISTING OF TWO HORIZONTAL RAILS. VERTICAL POST SPACING SHALL NOT BE MORE THAN 1500 MM.

EXTERNAL FINISH
WATER PROOF CEMENT BASED PAINT

S.NO	DRAWING NO.	DESCRIPTION
01	16-175-100-005	CONCEPTUAL SITE LAYOUT

LEGEND:

230 THK BRICK WALL
115 THK BRICK WALL
COLUMN
PROJECTION
PRESSURE RELIEFING DAMPER
FGL - FINISHED GROUND LEVEL
FFL - FINISHED FLOOR LEVEL
THK - THICKNESS

PROJECT 2 X 660 MW ENNORE SEZ SUPERCRITICAL THERMAL POWER PROJECT AT ASH DYKE OF NCTPS, CHENNAI - 120

CUSTOMER TAMILNADU GENERATION AND DISTRIBUTION CORPORATION

OWNER'S CONSULTANT DESEIN PRIVATE LIMITED DESEIN HOUSE, GREATER KAILASH II, NEW DELHI

CONTRACTOR'S CONSULTANT DESIGN SOLUTIONS INC. SCO 43, 2nd FLOOR, SECTOR 4, PANCHKULA, HARYANA - 134112

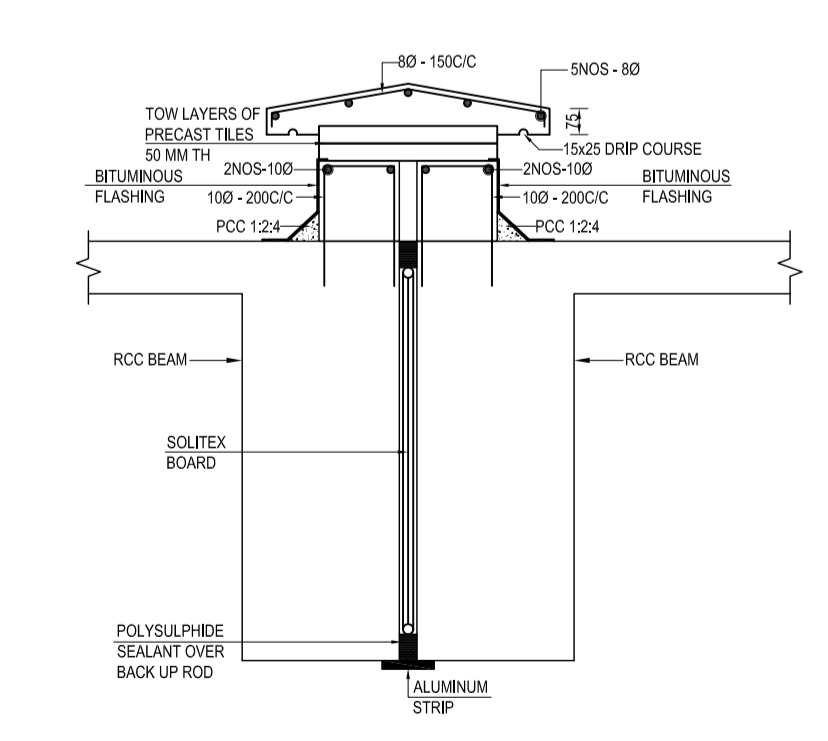
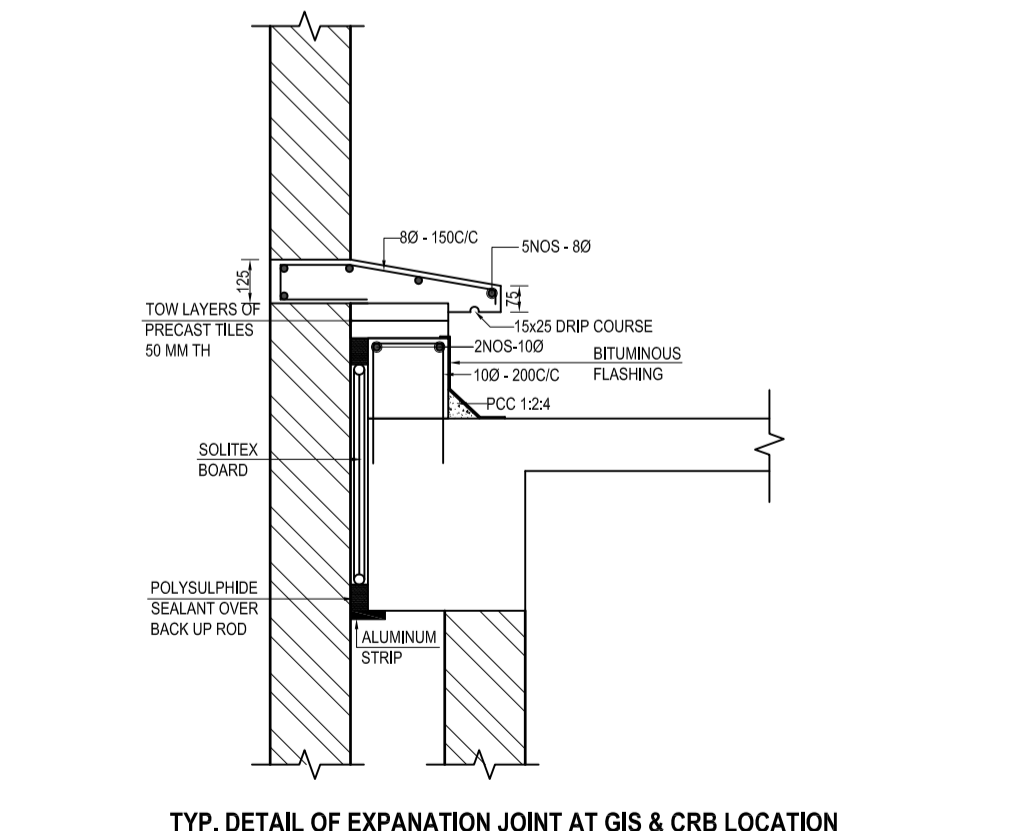
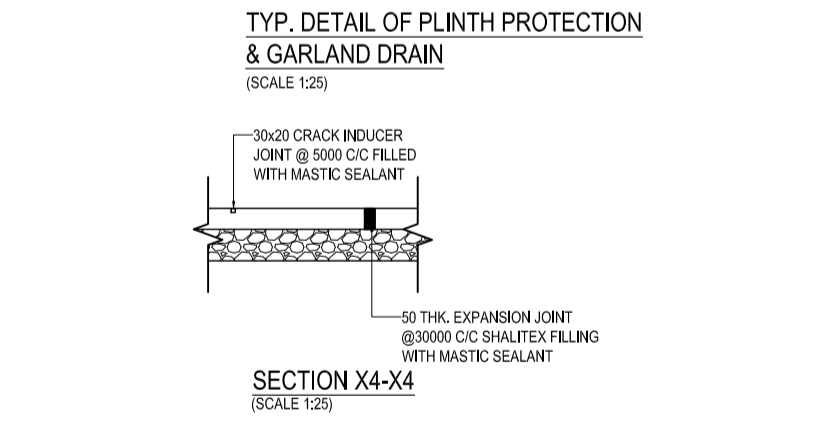
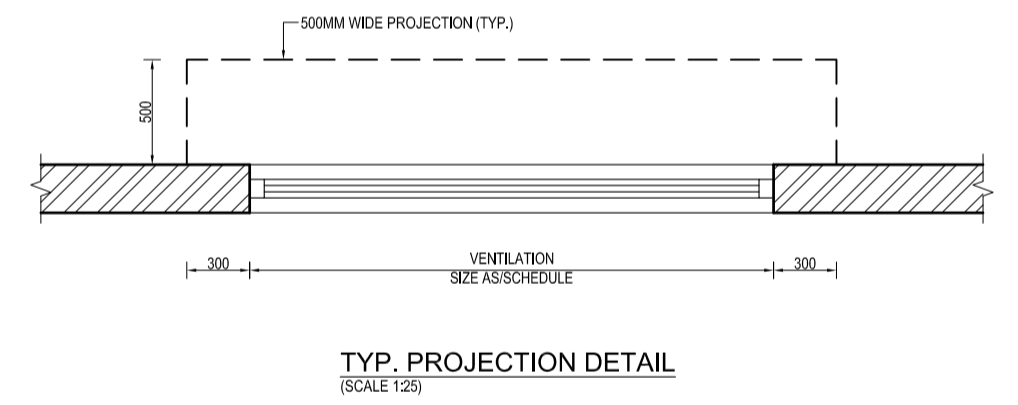
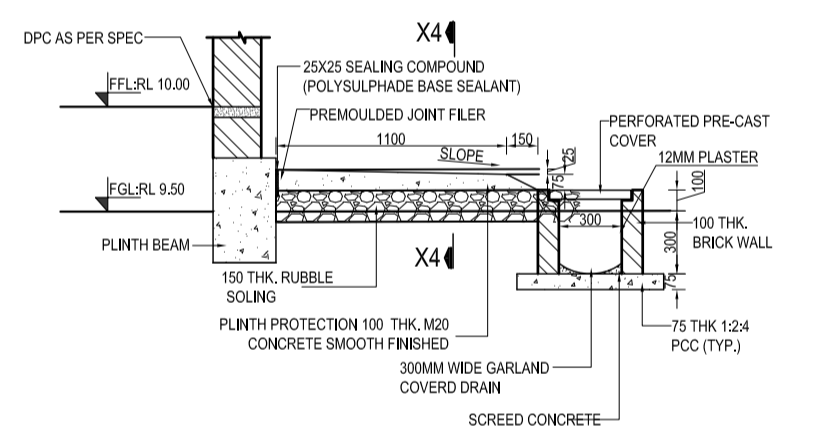
BHARAT HEAVY ELECTRICALS LTD. TRANSMISSION PROJECTS DIVISION

DATE	NO.	BY	CHKD.	APPD.	REVISION
10.08.2017	01

ARCHITECTURAL DRAWING - ROOF PLAN OF GIS BUILDING

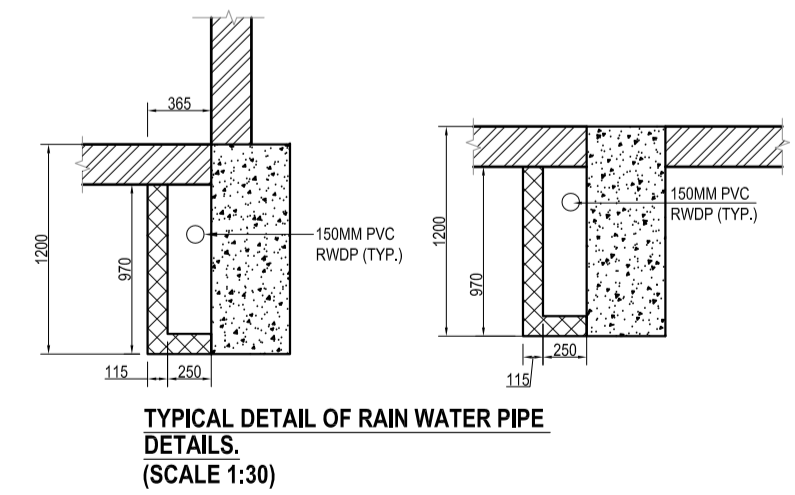
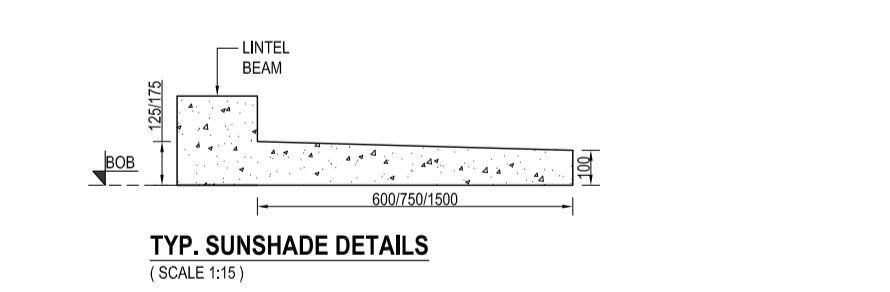
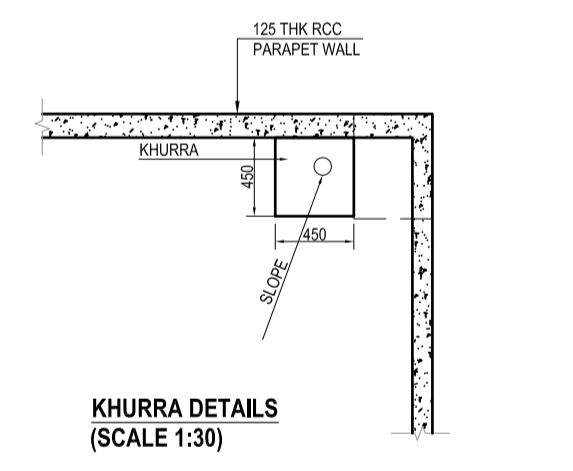
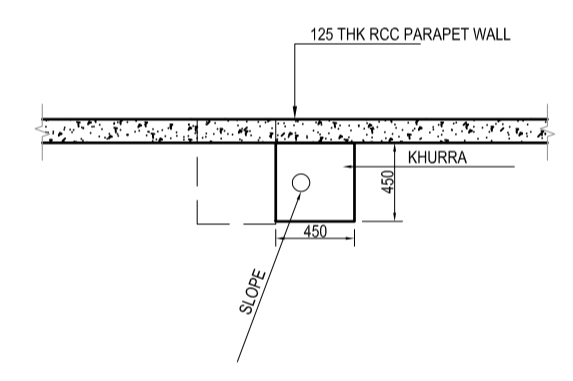
TB-1-378-607-640-1 02

COPYRIGHT AND CONFIDENTIAL
 The information in this document is the property of BHARAT HEAVY ELECTRICALS LTD.
 It may not be used in any way without the prior written permission of the Company.



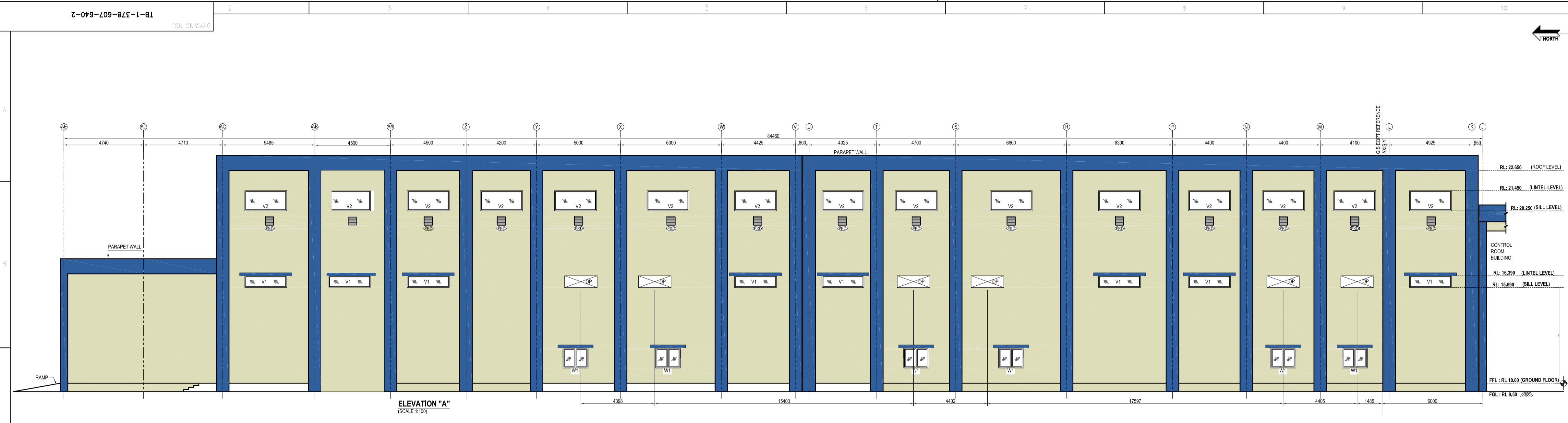
JOINERY SCHEDULE

MARK	NAME	WIDTH	HEIGHT	QTY	RL OF SILL/RL OF LINTEL	DESCRIPTION	
V1	VENTILATOR	2500	700	14	14.500	15.700	FIXED ALUMINIUM FRAME WITH 6MM THICK WIRED GLASS
V2	VENTILATOR	2500	1200	30	20.250	21.450	FIXED ALUMINIUM FRAME WITH 6MM THICK WIRED GLASS
D1	DOOR	1000	2700	2	12.700		SINGLE LEAF 45 MM THICK STEEL DOOR WITH STEEL FRAME
D2	DOOR	1000	2700	2	12.700		SINGLE LEAF DOUBLE COVER PLATED TYPE WITH MINERAL WOOL INSULATION FIRE PROOF DOOR (2 PNL. RATING) CONFORMING TO IS 3614 (PART I & II)
RS1	ROLLING SHUTTER	5500	5000	1	15.000		ROLLING SHUTTER ELECTRICALLY / MECHANICALLY OPERATED
RS2	ROLLING SHUTTER	4000	4000	1	14.000		ROLLING SHUTTER ELECTRICALLY / MECHANICALLY OPERATED
W1	WINDOWS	1500	1200	13	10.800		FIXED ALUMINIUM FRAME WITH 6MM THICK WIRED GLASS

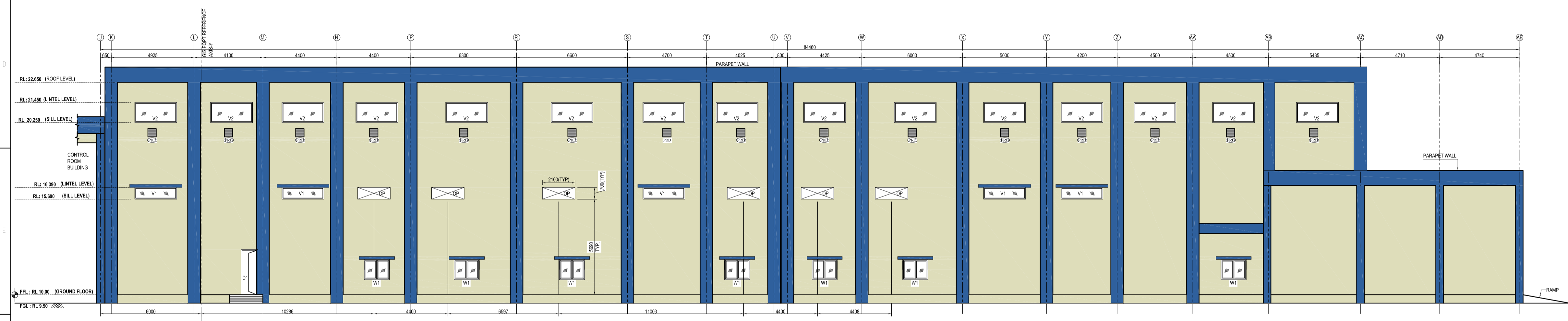


FIRST ANGLE PROJECTION ALL DIMENSIONS ARE IN MM

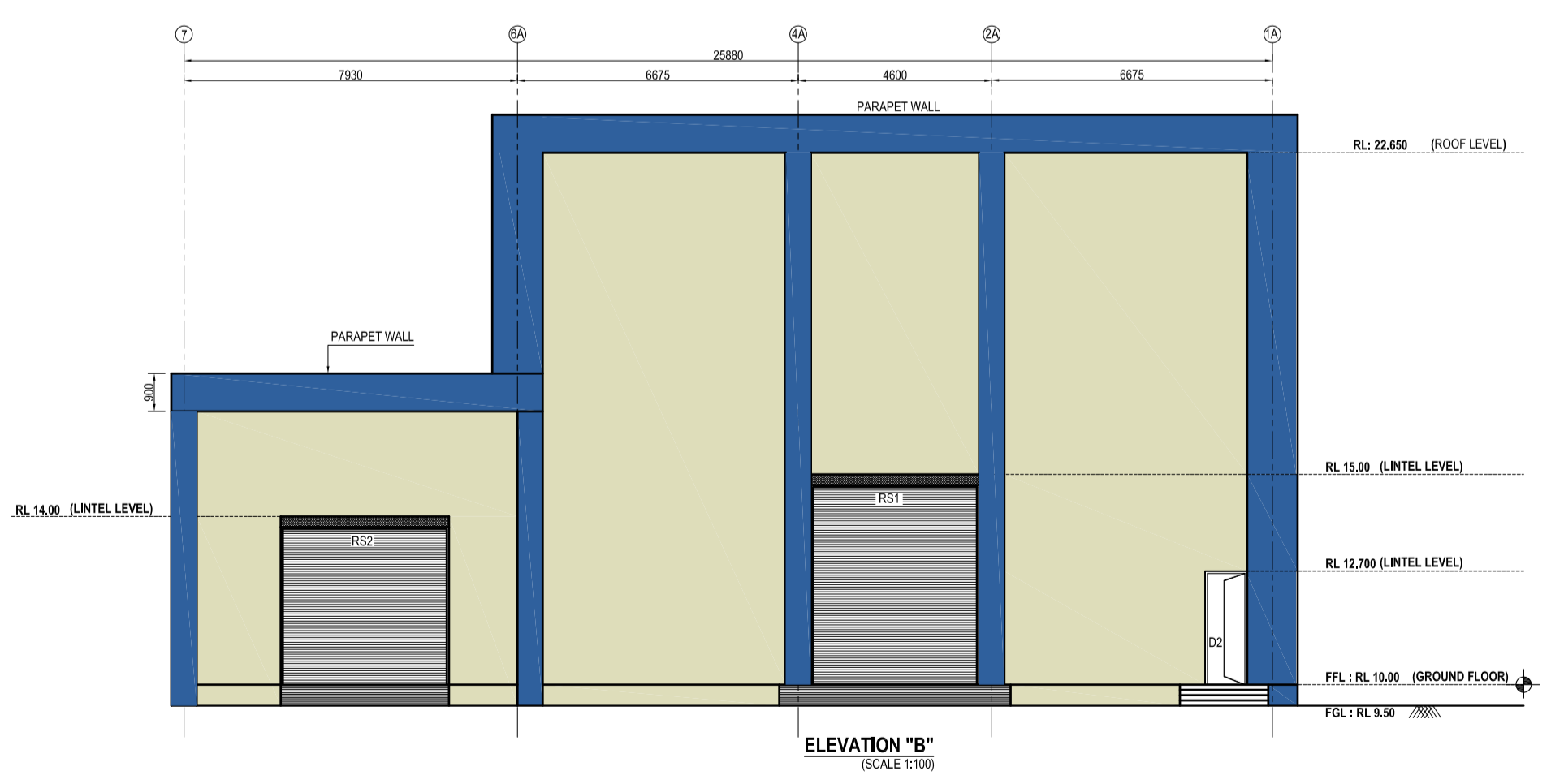
TB-1-378-607-640-2



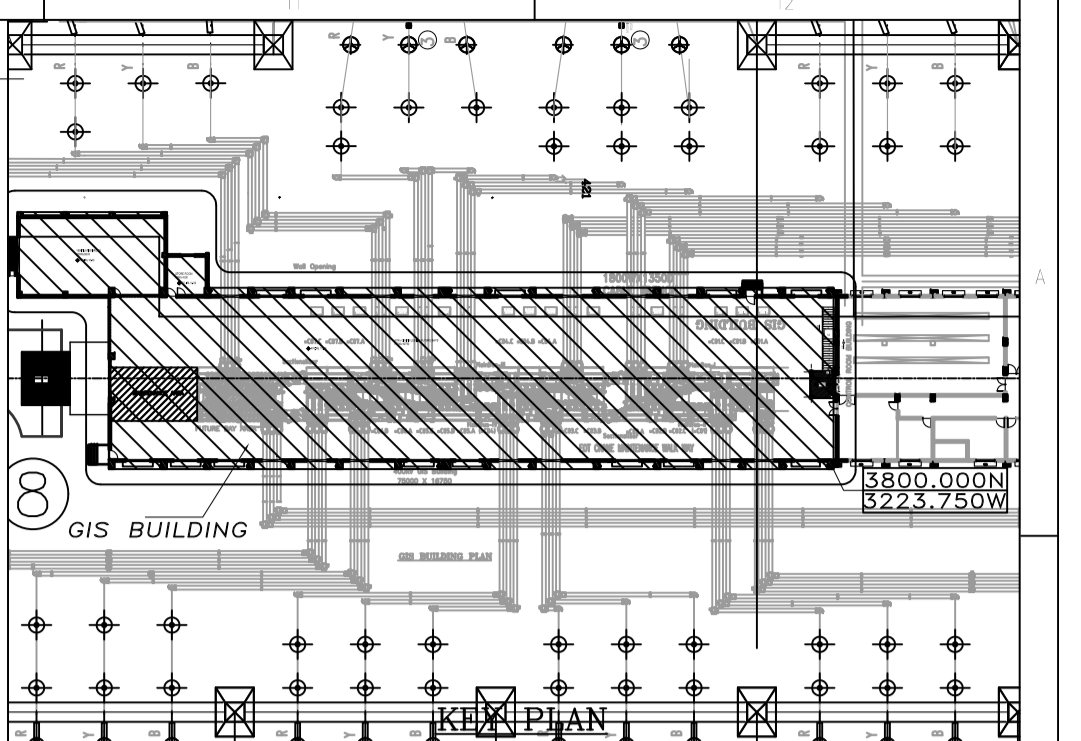
ELEVATION "A" (SCALE 1/100)



ELEVATION "C" (SCALE 1/100)



ELEVATION "B" (SCALE 1/100)



- NOTES
1. ONLY WRITTEN DIMENSION SHALL BE FOLLOWED DO NOT SCALE THE DRAWING.
 2. ALL DIMENSIONS ARE IN MM & LEVELS ARE IN MTR UNLESS OTHERWISE NOTED.
 3. ALL MEASUREMENT MUST BE CHECKED AND VERIFIED AT SITE. ANY DISCREPANCY FOUND, TO BE NOTIFIED TO THE DESIGNER BEFORE EXECUTION.
 4. FGL HAS BEEN CONSIDERED AT RL 9.50
 5. ALL DIMENSIONS SHOWN IN THE DRAWING ARE CLEAR DIMENSIONS.
 6. THIS DRAWING SHALL BE READ IN CONJUNCTION WITH CONTRACT TERMS & CONDITIONS, SPECIFICATION, SCHEDULE OF ITEM & OTHER ARCHITECTURAL DRAWING.
 7. DOOR & WINDOW WIDTH MENTIONED IN THE SCHEDULE ARE CLEAR MASONRY OPENING IN WALL.
 8. ALL THE DIMENSIONS OF THE ROOM ARE WALL TO WALL CLEAR DIMENSIONS.
 9. ALL FURNITURE AND CONFERENCE ROOM WITH ALL AMENITIES SHALL BE PROVIDED AS PER SPECIFICATIONS.
 10. GRANITE SLAB SHALL BE PROVIDED AT SILL LEVEL FOR WINDOWS.

S.NO	DRAWING NO.	DESCRIPTION
01	TB-1-378-607-640-2	CONCEPTUAL OF BUILDING LAYOUT

LEGENDS:

	230 THK. BRICK WALL
	115 THK. BRICK WALL
	COLUMN
	PROJECTION
	PRESSURE RELASING DAMPER
	FINISHED GROUND LEVEL
	FINISHED FLOOR LEVEL
	THICKNESS

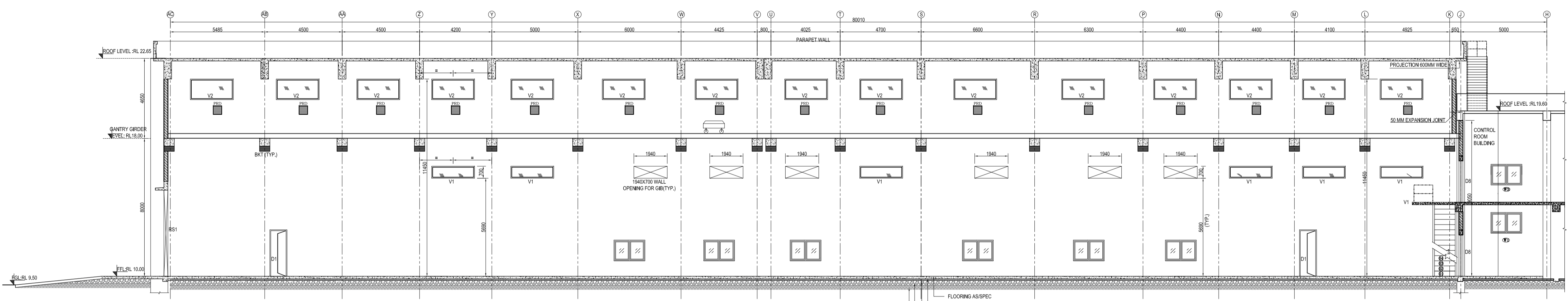
PROJECT	2 X 660 MW ENNORE SEZ SUPERCRITICAL THERMAL POWER PROJECT AT ASH DYKE OF NCTPS, CHENNAI - 120
CUSTOMER	TAMILNADU GENERATION AND DISTRIBUTION CORPORATION
OWNER'S CONSULTANT	DESEIN PRIVATE LIMITED DESEIN HOUSE, GREATER KAILASH II, NEW DELHI
CONTRACTOR'S CONSULTANT	DESIGN SOLUTIONS INC. SCO 43, 2nd FLOOR, SECTOR 4, PANCHKULA, HARYANA - 134112

	BHARAT HEAVY ELECTRICALS LTD. TRANSMISSION PROJECTS DIVISION
--	--

REV.	DESCRIPTION	DATE	BY	CHECKED	APPROVED
03	REVISED AS PER CUSTOMER COMMENTS				
02					
01					

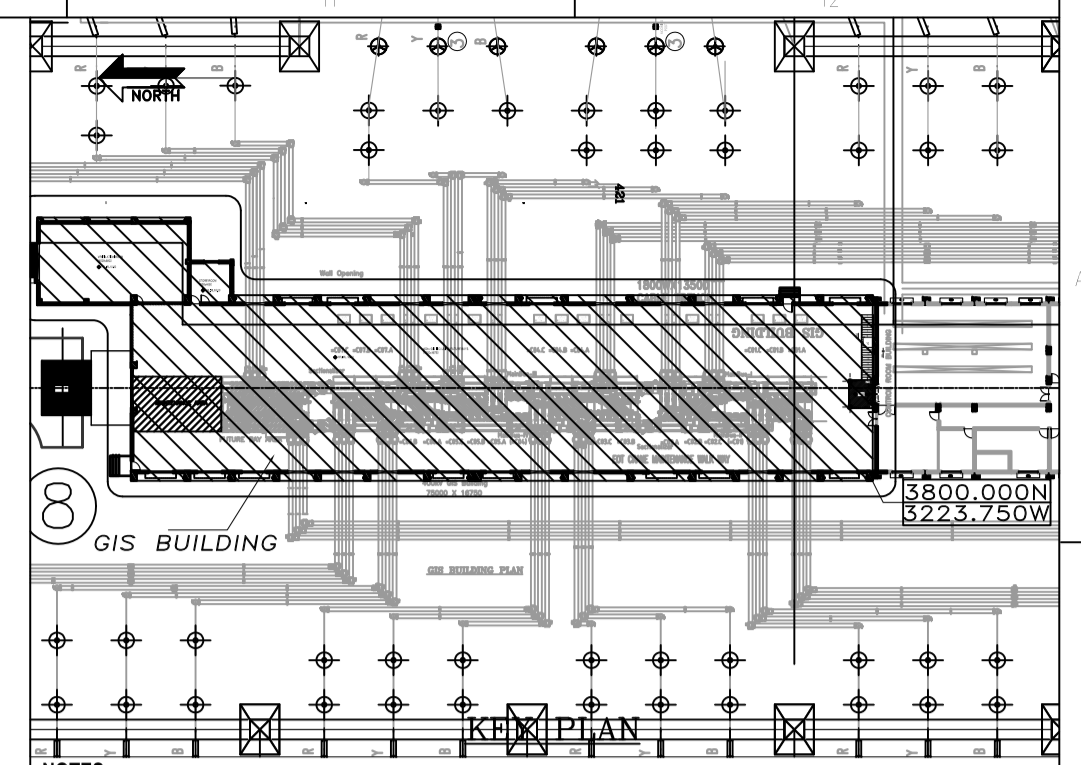
DEPT.	DEEM	REP. BY ASSISTANT	DATE	10/05/2023
PROJECT NO.	TB-1-378-607-640-2	SCALE	AS SHOWN	
ARCHITECTURAL DRAWING- ELEVATIONS OF GIS BUILDING		TB-1-378-607-640-2		02

18-1-378-607-640-3



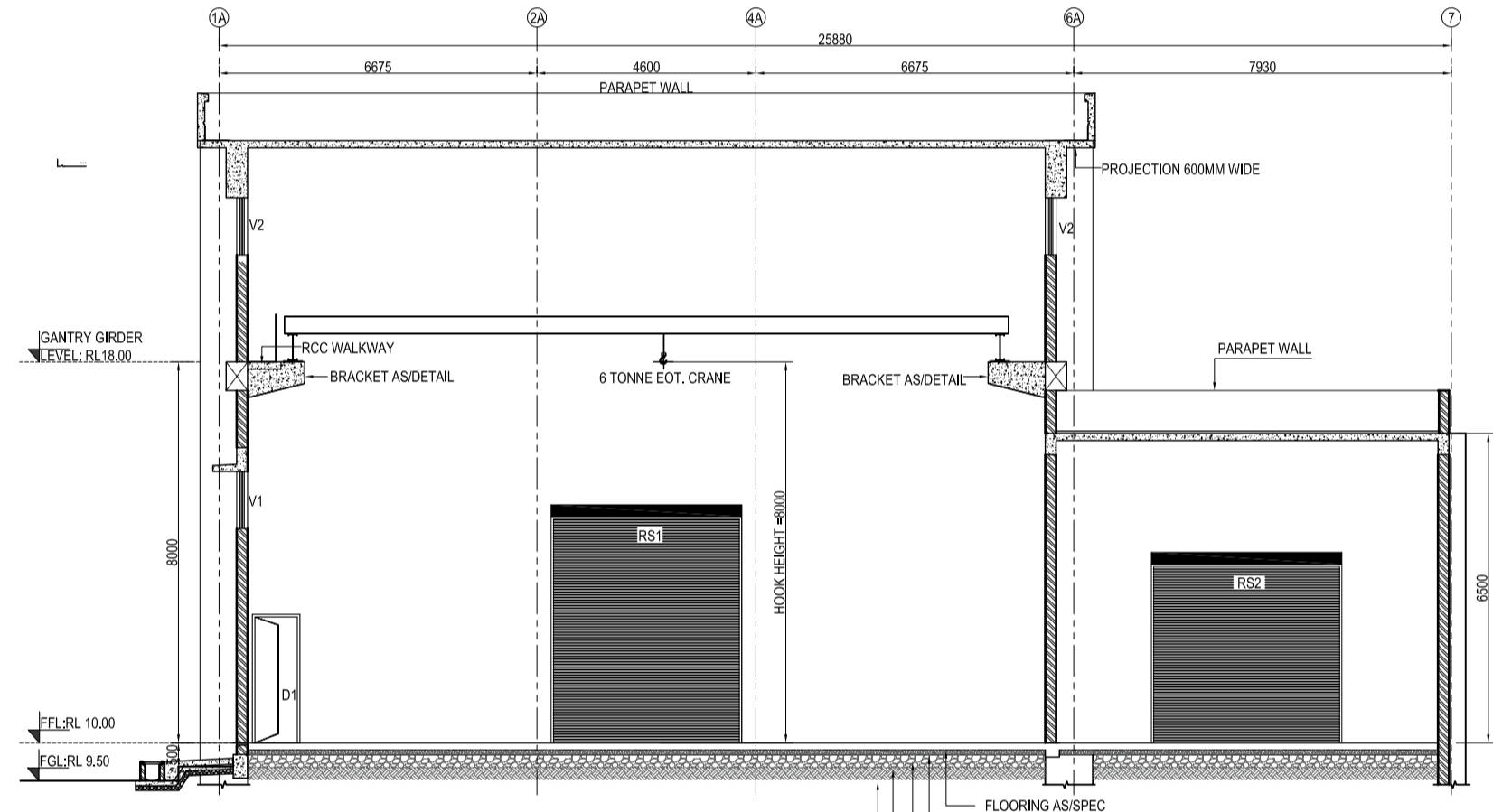
SECTION X2 - X2 (SCALE 1:100)

- FLOORING AS SPEC
- RCC GRADE SLAB
- 100 THK RCC M7.5
- 250 THK SOLING AS SPEC
- COMPACTED EARTH FILLING



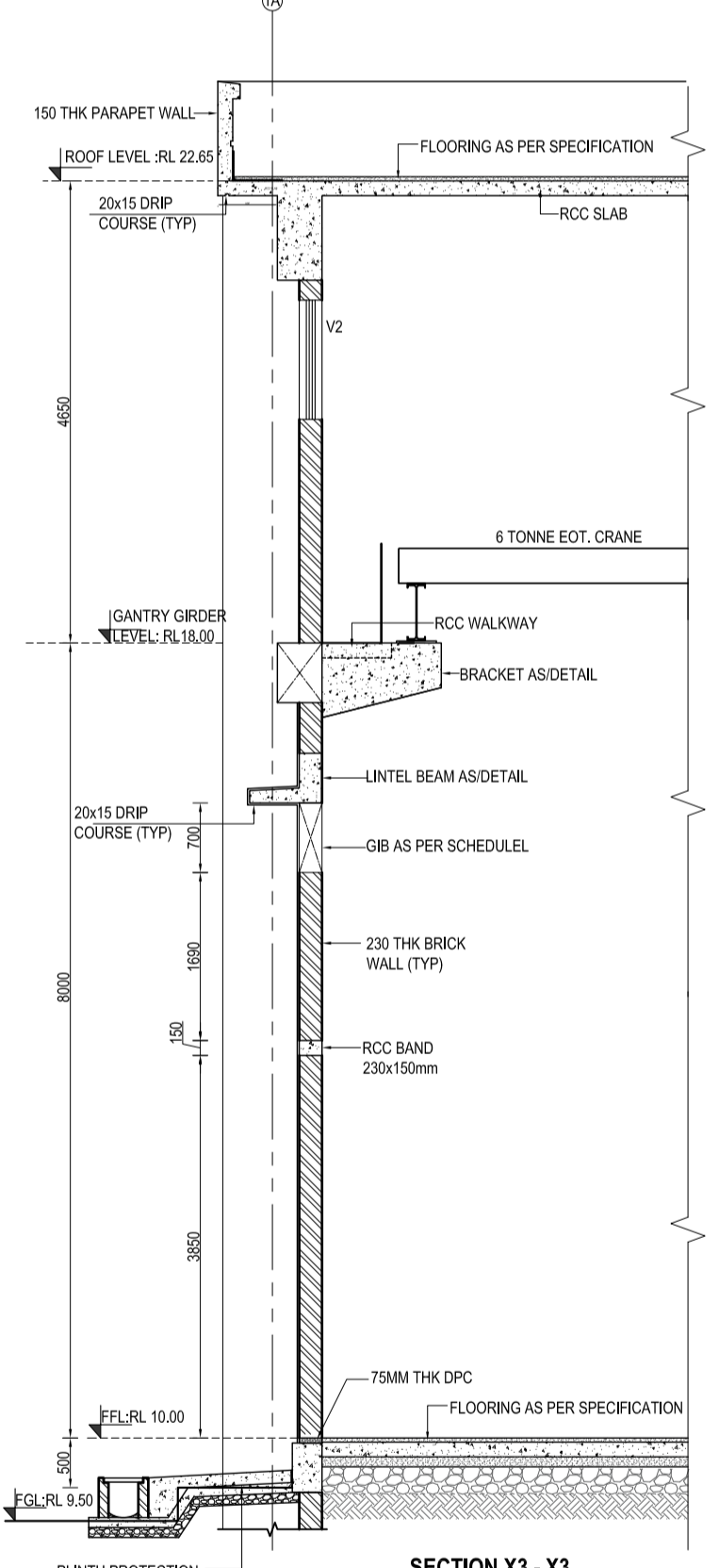
- NOTES
- ONLY WRITTEN DIMENSION SHALL BE FOLLOWED DO NOT SCALE THE DRAWING.
 - ALL DIMENSIONS ARE IN MM & LEVELS ARE IN MTR UNLESS OTHERWISE NOTED.
 - ALL MEASUREMENT MUST BE CHECKED AND VERIFIED AT SITE. ANY DISCREPANCY FOUND, TO BE NOTIFIED TO THE DESIGNER BEFORE EXECUTION.
 - FGL HAS BEEN CONSIDERED AT RL 9.50
 - ALL DIMENSIONS SHOWN IN THE DRAWING ARE CLEAR DIMENSIONS.
 - THIS DRAWING SHALL BE READ IN CONJUNCTION WITH CONTRACT TERMS & CONDITIONS, SPECIFICATION, SCHEDULE OF ITEM & OTHER ARCHITECTURAL DRAWING.
 - DOOR & WINDOW WIDTH MENTIONED IN THE SCHEDULE ARE CLEAR MASONRY OPENING IN WALL.
 - ALL THE DIMENSIONS OF THE ROOM ARE WALL TO WALL CLEAR DIMENSIONS.
 - ALL FURNITURE AND CONFERENCE ROOM WITH ALL AMENITIES SHALL BE PROVIDED AS PER SPECIFICATIONS.
 - GRANITE SLAB SHALL BE PROVIDED AT SILL LEVEL FOR WINDOWS.

S.NO	DRAWING NO.	DESCRIPTION
03	18-1-378-607-640-3	CONCEPTUAL GIS BUILDING LAYOUT

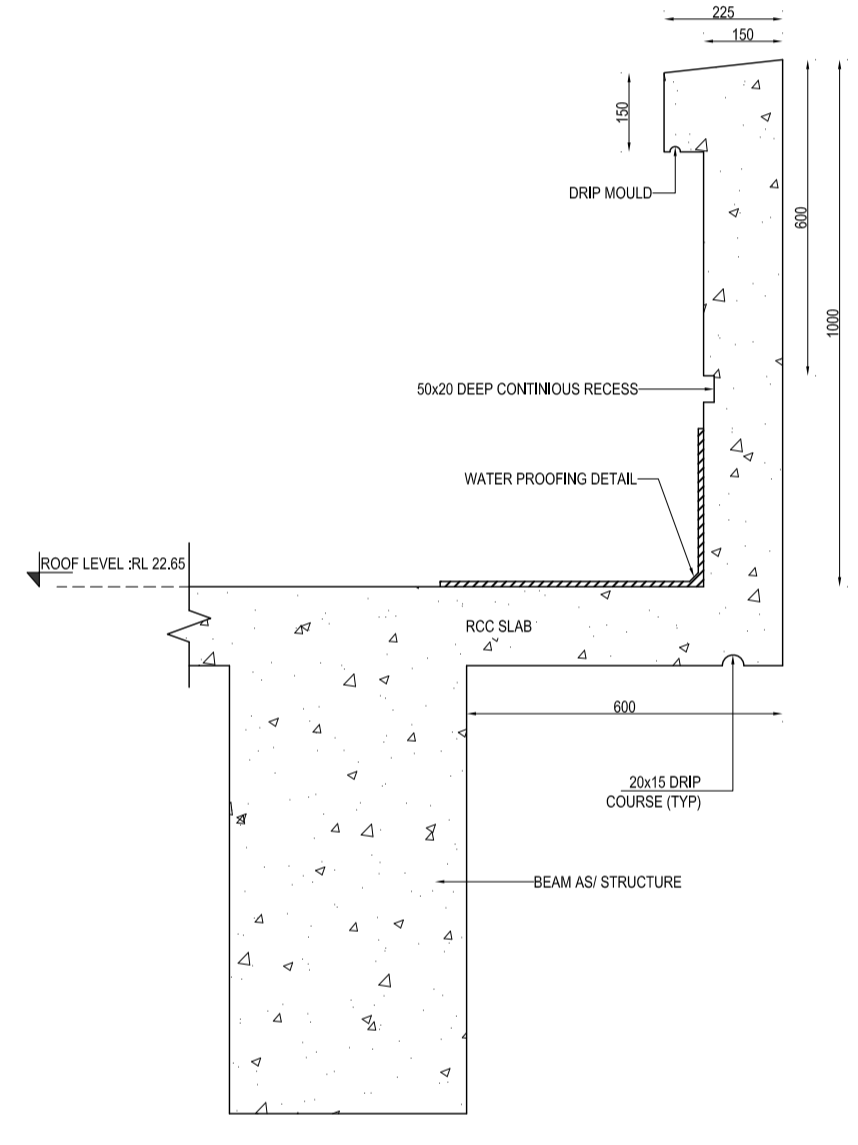


SECTION X1 - X1 (SCALE 1:100)

- FLOORING AS SPEC
- 150 THK RCC GRADE SLAB M20
- 100 THK RCC M7.5
- 250 THK SOLING AS SPEC
- COMPACTED EARTH FILLING



SECTION X3 - X3 (SCALE 1:50)



TYP. RCC DETAIL OF PARAPET WALL (SCALE 1:10)

LEGENDS

	230 THK BRICK WALL
	115 THK BRICK WALL
	COLUMN
	PROJECTION
	PRESSURE RELIEFING DAMPER
	FGL FINISHED GROUND LEVEL
	PFL FINISHED FLOOR LEVEL
	THK THICKNESS

PROJECT 2 X 660 MW ENNORE SEZ SUPERCRITICAL THERMAL POWER PROJECT AT ASH DYKE OF NCTPS, CHENNAI - 120

CUSTOMER TAMILNADU GENERATION AND DISTRIBUTION CORPORATION

OWNER'S CONSULTANT DESEIN PRIVATE LIMITED
DESEIN HOUSE, GREATER KAILASH II, NEW DELHI

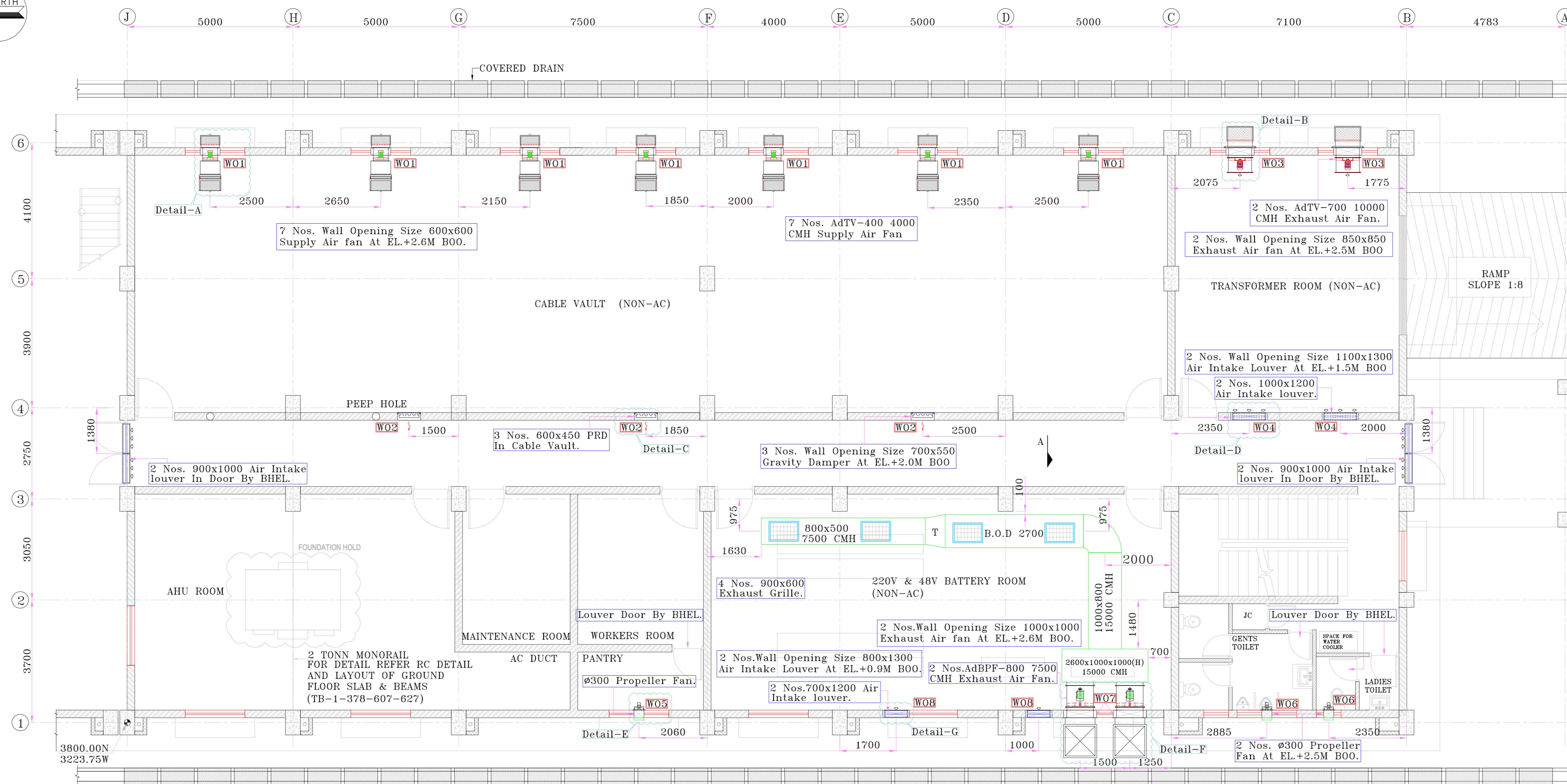
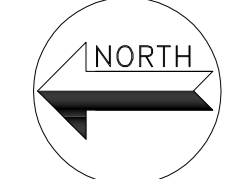
CONTRACTOR'S CONSULTANT DESIGN SOLUTIONS INC. SCO 43, 2nd FLOOR, SECTOR 4, PANCHKULA, HARYANA - 134112

	BHARAT HEAVY ELECTRICALS LTD. TRANSMISSION PROJECTS DIVISION
--	--

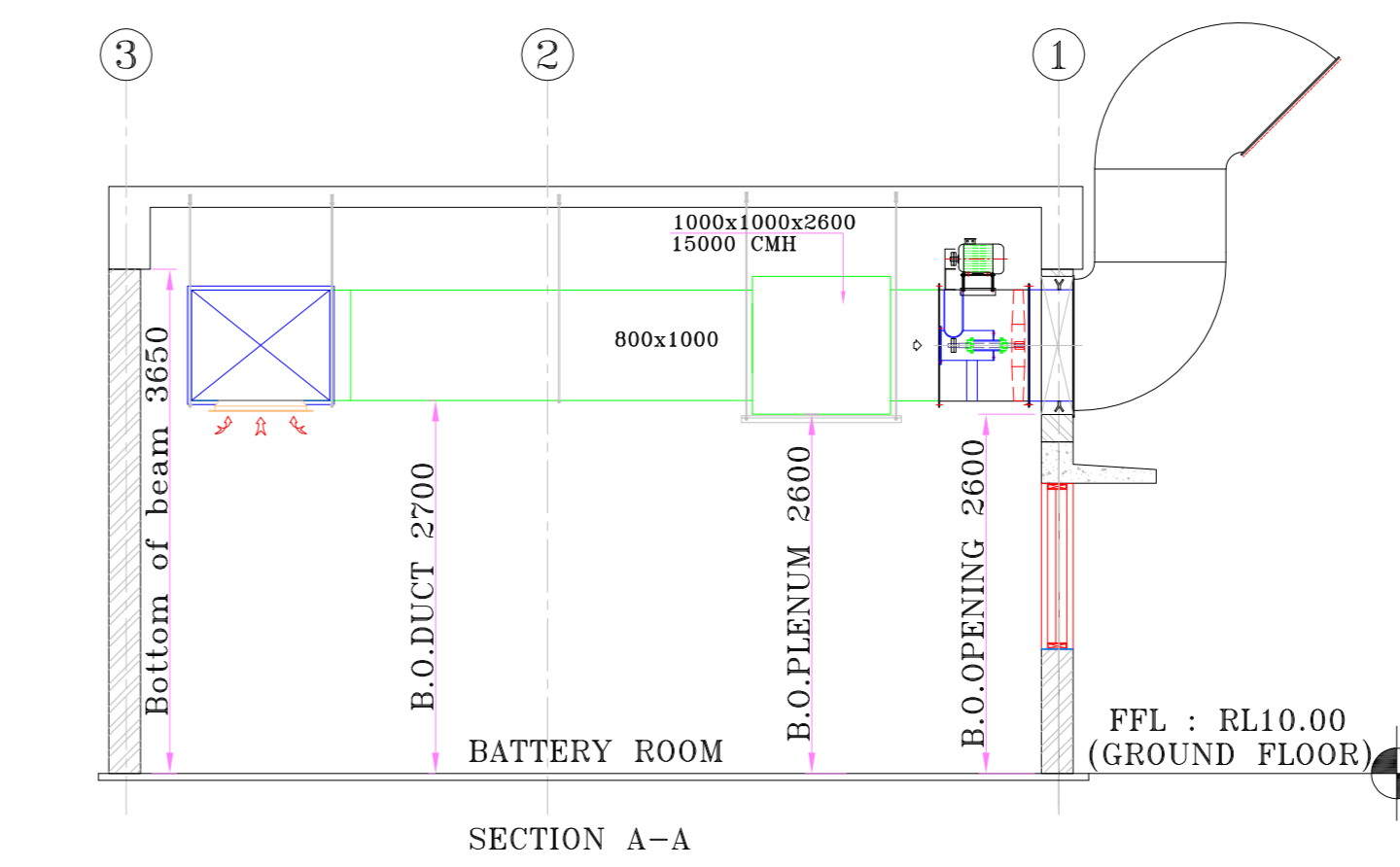
DATE: 18/08/2018	SCALE: AS SHOWN	NO. OF SHEETS: 1
FLOOR: 422		

ARCHITECTURAL DRAWING- SECTIONS OF GIS BUILDING

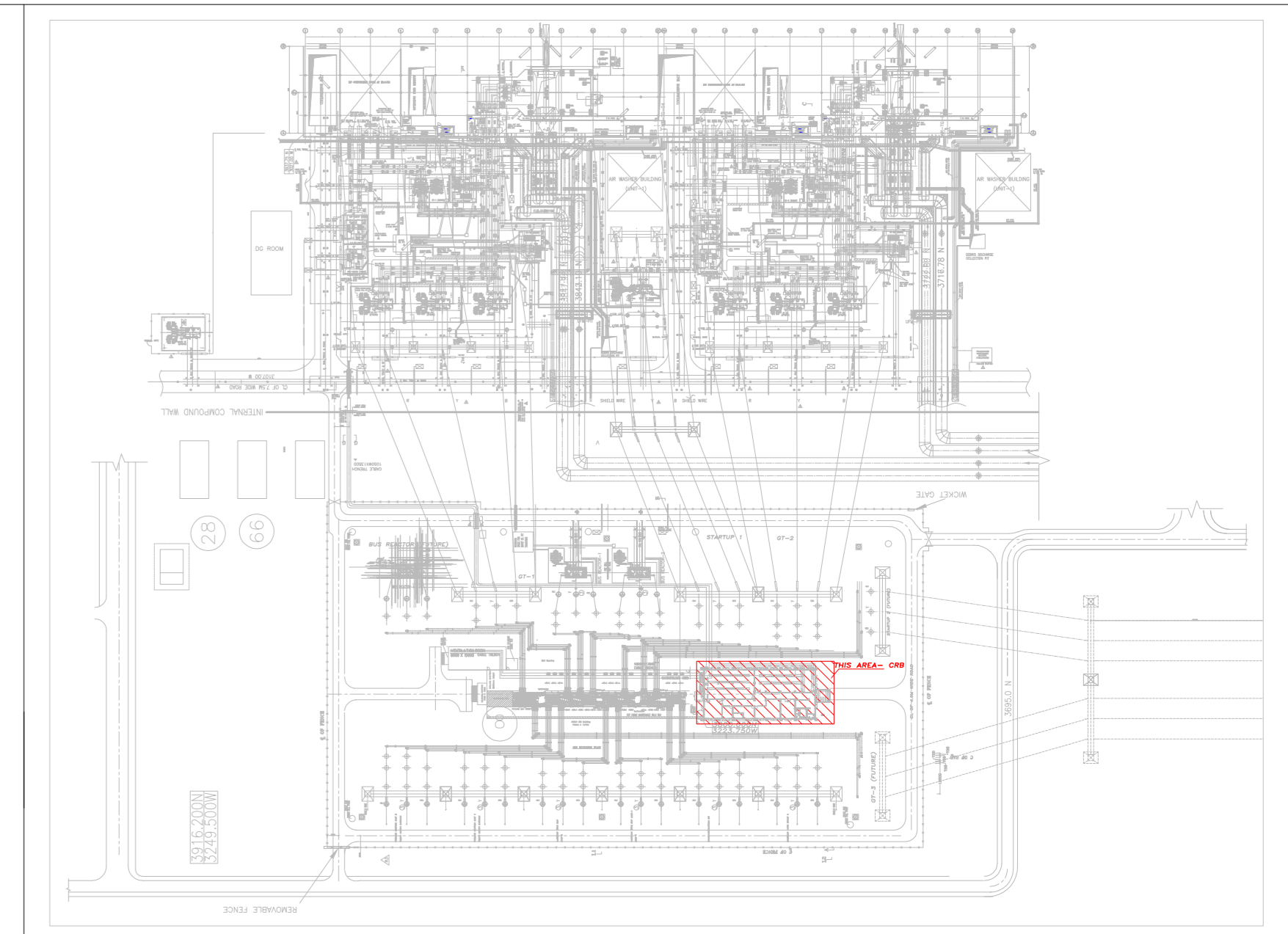
TB-1-378-607-640-3 02



GROUND FLOOR PLAN



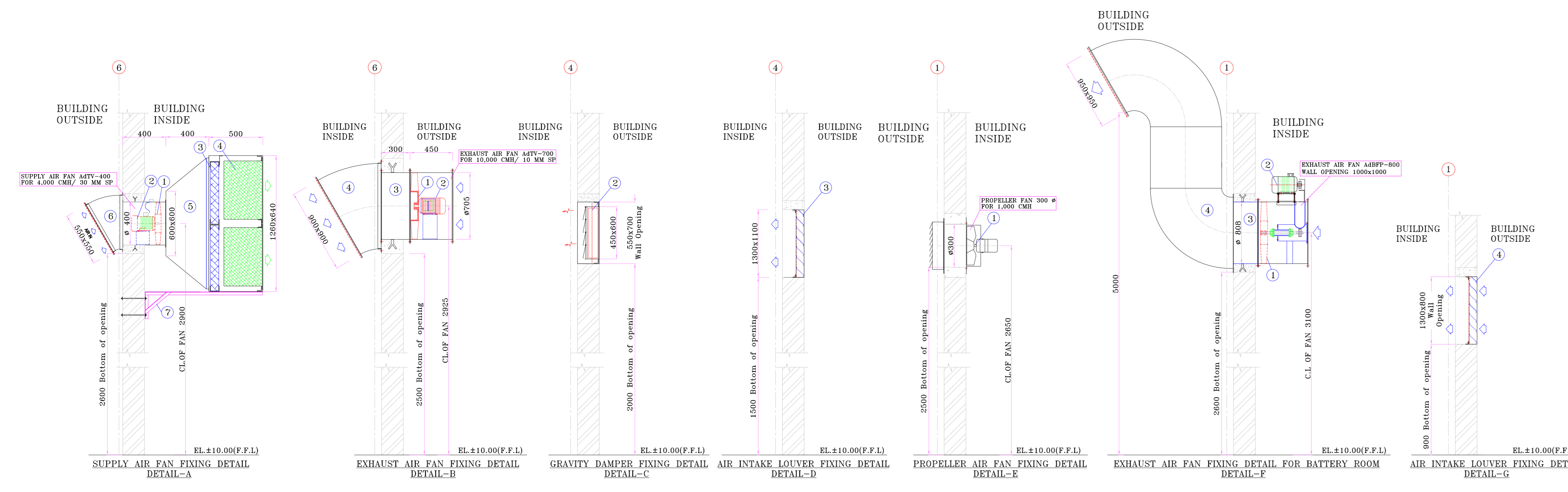
SECTION A-A



REFERENCE DRAWING

S.NO	DRAWING NUMBER	TITLE
1.	ARCHITECTURE DRAWINGS- GROUND & FIRST FLOOR PLAN FOR CONTROL ROOM BUILDING	TB-0-378-607-620-1

- NOTES:-
1. ALL DIMENSION ARE IN MM.
 2. ALL CIVIL WORKS RELATED TO HVAC TO BE DONE BY BHEL .
 3. MINOR ADJUSTMENT IN FAN & DUCT TO BE DONE, TO SUIT AT SITE CONDITION.



BOQ.FOR EXHAUST AIR FAN BATTERY ROOM FOR EACH FAN

PART NO.	DESCRIPTION	SIZE	QTY.	MAT'L/MAKE
04.	AIR DISCHARGE COWL	950x950x30"	1	GI
03.	FAN MOUNTING SLEEVE	ø800x300L	1	M.S.
02.	MOTOR 0.75 kW/6POLE	-	1	-
01.	EXHAUST AIR FAN	-	1	M.S.

QTY. - 2 Nos.

Air Capacity (CMH) - 4,000 CMH
Static Pressure - 30 MMWG
QTY. - 7 Nos.

BOQ. EXHAUST AIR FAN TRANSFORMER ROOM FOR EACH FAN

PART NO.	DESCRIPTION	SIZE	QTY.	MAT'L/MAKE
04.	AIR DISCHARGE COWL	900x900x30"	1	GI
03.	FAN MOUNTING SLEEVE	ø700x300 Long	1	M.S.
02.	MOTOR 0.75 KW/6 POLE	-	1	-
01.	TUBE AXIAL EXHAUST AIR FAN	-	1	M.S.

QTY. - 2 Nos.

BOQ. SUPPLY AIR FAN CABLE VAULT ROOM FOR EACH FAN

PART NO.	DESCRIPTION	SIZE	QTY.	MAT'L/MAKE
07.	FRESH AIR UNIT SUPPORT	ISA-40x5	1	MS
06.	COWL WITH BIRDMENSH	550x550	1	GI
05.	CONNECTION DUCT	1160x540/600x600	1	GI
04.	FINE FILTER	610x610x305	2	-
03.	PRE- FILTER	610x610x50	2	-
02.	MOTOR 0.75kw/2POLE	-	1	-
01.	SUPPLY AIR FAN	-	1	-

PART NO.	DESCRIPTION	LOCATION	SIZE	QTY.	Make/MOC
6.	EXHAUST AIR GRILLE	BATTERY ROOM	900x600	4	SYSTEM AIR
5.	FRESH AIR INTAKE LOUVER	CORRIDOR DOOR	900x1000	4	BHEL
4.	FRESH AIR INTAKE LOUVER	BATTERY ROOM	700x1200	2	-
3.	FRESH AIR INTAKE LOUVER	TRANSFORMER ROOM	1000x1200	2	-
2.	GRAVITY DAMPER	CABLE VAULT ROOM	600x450	3	-
1.	PROPELLER AIR FAN	TOILET PANTRY	ø300	3	-

WALL OPENING DETAILS

S.No.	Legnd.	Opening Type	Discription	Location	Size (W X H)	Bottom of Opening From FFL- RL.10.00	Qty.
01.	WO1	Wall Opening	For Supply Air Fan	CABLE VAULT Between Grid 6 & C to J	600x600	EL (+) 2.6 M	07
02.	WO2	Wall Opening	For PRD	CABLE VAULT Between Grid 4 & D to G	700x550	EL (+) 2.0 M	03
03.	WO3	Wall Opening	For Exhaust Air Fan	TRANSFORMER ROOM Between Grid 6 & B to C	850x850	EL (+) 2.5 M	02
04.	WO4	Wall Opening	For Air Intake Louver	TRANSFORMER ROOM Between Grid 4 & B to C	1100x1300	EL (+) 1.5 M	02
05.	WO5	Wall Opening	For Propeller Fan	PANTRY Between Grid 1 & F to G	ø 300	EL (+) 2.5 M	01
06.	WO6	Wall Opening	For Propeller Fan	TOILET Between Grid 1 & B to C	ø 300	EL (+) 2.5 M	02
07.	WO7	Wall Opening	For Exhaust Air Fan	BATTERY ROOM Between Grid 1 & C to D	1000x1000	EL (+) 2.6 M	02
08.	WO8	Wall Opening	For Air Intake Louver	BATTERY ROOM Between Grid 1 & C to F	800x1300	EL (+) 0.9 M	02

REV	DATE	DRAWN	CHECKED	APPROVED	NOTE

PROJECT
2X660 MW ENNORE SEZ SUPERCRITICAL THERMAL POWER PROJECT AT ASHE DYKE OF NCTPS, CHENNAI - 120

OWNER
TAMILNADU GENERATION AND DISTRIBUTION CORPORATION LTD.

CONSULTANT
DESIN PRIVATE LIMITED
New Delhi

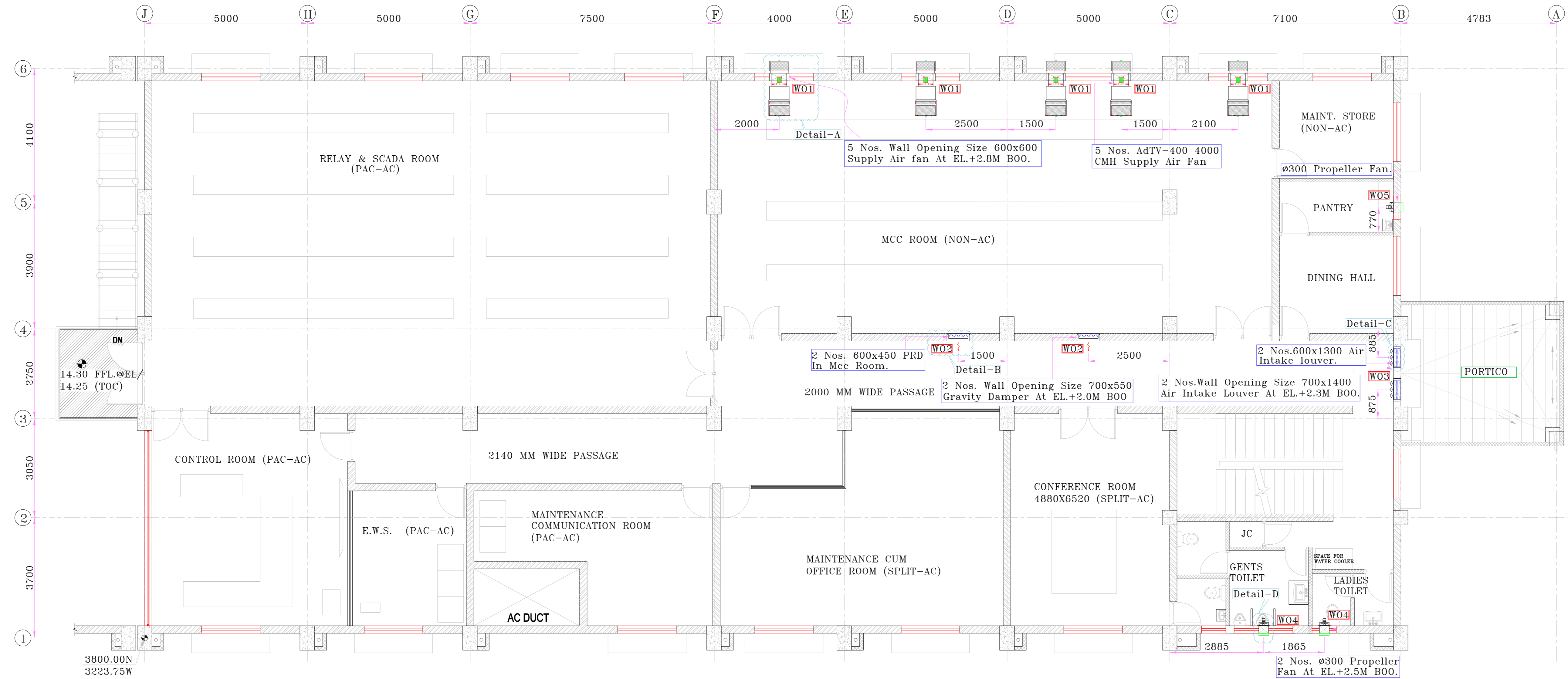
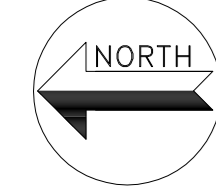
PURCHASER
BHARAT HEAVY ELECTRICALS LTD
TRANSMISSION BUSINESS GROUP, NOIDA

PACKAGE
AIR CONDITIONING AND VENTILATIONS SYSTEMS FOR SWITCHYARD AREA

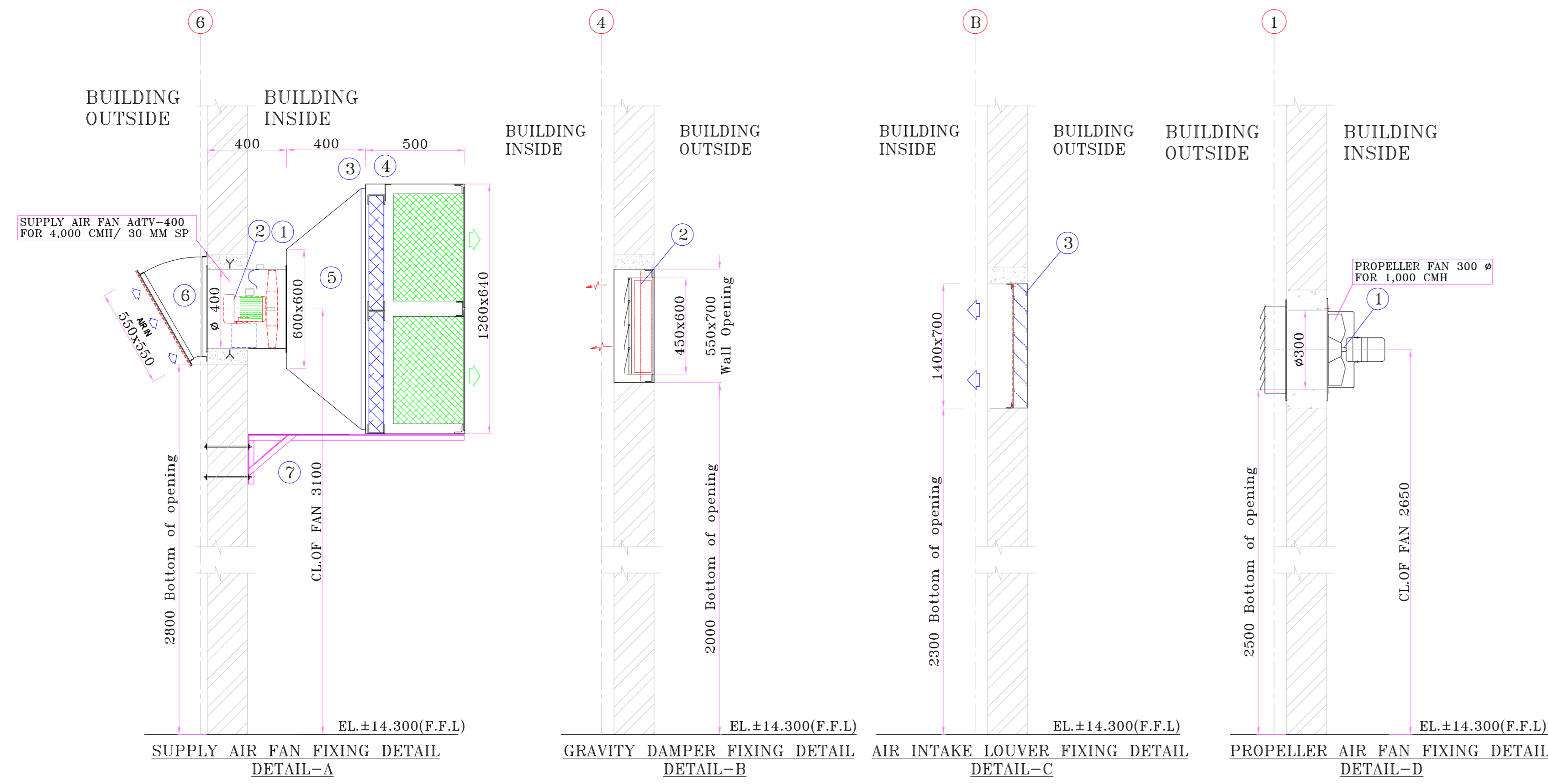
DRAWING TITLE
Ventilation fan layout of Control Building

DRG.NO
TB-378-316-123-18

DRAWN	CHECKED	APPROVED	SCALE	PAGE	REV
			1:100 A1	1 OF 2	0



FIRST FLOOR PLAN

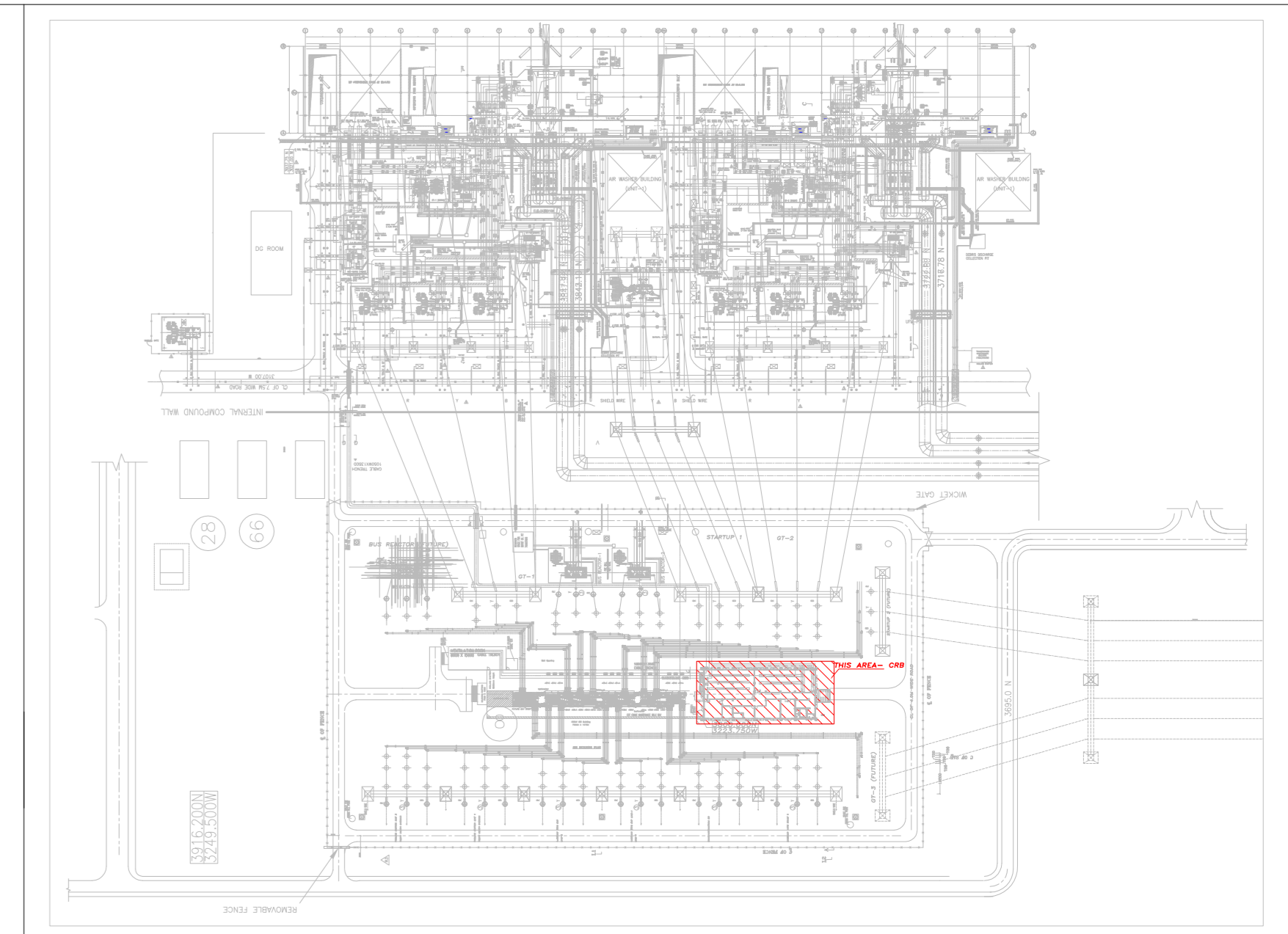


PART NO.	DESCRIPTION	LOCATION	SIZE	QTY.	Make/MOC
3.	FRESH AIR INTAKE LOUVER	WIDE PASSAGE AREA	600x1300	2	
2.	GRAVITY DAMPER	MCC ROOM	600x450	2	
1.	PROPELLER AIR FAN	TOILET PANTRY	ø300	3	

Air Capacity (CMH) - 4,000 CMH
Static Pressure - 30 MMWG
QTY. - 5 Nos.

PART NO.	DESCRIPTION	SIZE	QTY.	MAT'LS/MAKE
07.	FRESH AIR UNIT SUPPORT	ISA-40x5	1	MS
06.	COWL WITH BIRDMESH	550x550	1	GI
05.	CONNECTION DUCT	1160x540/600x600	1	GI
04.	FINE FILTER	610x610x305	2	-
03.	PRE- FILTER	610x610x50	2	-
02.	MOTOR 0.75kw/2POLE	-	1	-
01.	SUPPLY AIR FAN	-	1	-

S.No.	Legend.	Opening Type	Description	Location	Size	Bottom of Opening From FFL- RL.14.30	Qty.
01.	WO1	Wall Opening	For Supply Air Fan	MCC ROOM Between Grid G & B to F	600x600	EL (+) 2.8 M	05
02.	WO2	Wall Opening	For PRD	MCC ROOM Between Grid 4 & C to E	700x550	EL (+) 2.0 M	02
03.	WO3	Wall Opening	For Air Intake Louver	WIDE PASSAGE Between Grid 3.4 & B	700x1400	EL (+) 2.3 M	02
04.	WO4	Wall Opening	For Propeller Fan	TOILET Between Grid 1 & B to C	ø 300	EL (+) 2.5 M	02
05.	WO5	Wall Opening	For Propeller Fan	PANTRY Between Grid 4.5 & B	ø 300	EL (+) 2.5 M	01



S.NO	DRAWING NUMBER	TITLE
1.	ARCHITECTURE DRAWINGS- GROUND & FIRST FLOOR PLAN FOR CONTROL ROOM BUILDING	TB-0-378-607-620-1

- NOTES:-
1. ALL DIMENSION ARE IN MM.
 2. ALL CIVIL WORKS RELATED TO HVAC TO BE DONE BY BHEL .
 3. MINOR ADJUSTMENT IN FAN & DUCT TO BE DONE, TO SUIT AT SITE CONDITION.

REV	DATE	DRAWN	CHECKED	APPROVED	NOTE

PROJECT
2X660 MW ENNORE SEZ SUPERCRITICAL THERMAL POWER PROJECT AT ASHE DYKE OF NCTPS, CHENNAI - 120

OWNER
TAMILNADU GENERATION AND DISTRIBUTION CORPORATION LTD.

CONSULTANT
DESIN PRIVATE LIMITED
New Delhi

PURCHASER
BHARAT HEAVY ELECTRICALS LTD
TRANSMISSION BUSINESS GROUP, NOIDA

PACKAGE
AIR CONDITIONING AND VENTILATIONS SYSTEMS FOR SWITCHYARD AREA

DRAWING TITLE
Ventilation fan layout of Control Building

DRG.NO
TB-378-316-123-18

NAME	DATE	SCALE	PAGE	REV
DRAWN		1:100	2 OF 2	0
CHECKED		A1		
APPROVED				

- NOTES:-
1. All dimensions are in millimeter and levels in meter, unless specified.
 2. Minor adjustment of duct shall be done to suite at site condition.
 3. Minor duct modification will be done at site.
 4. All civil works related to HVAC shall be done by civil contractor.

05.	TB-1-378-607-640-3	Arch. Dwg-Section of GIS Building.
04.	TB-1-378-607-640-2	Arch. Dwg-Elevation of GIS Building.
03.	TB-1-378-607-640-1	Arch. Dwg-Roof Plan For GIS Building.
02.	TB-1-378-607-640-1	Arch. Dwg-Ground Floor & Gantry Ginder Level Plan of GIS Hall.
01.	TB-378-316-123-024	General Arrangement Drawing of Centrifugal Fan For GIS Hall.

S.no. Reference Drawing Number Title

REFERENCE DRAWING:-

EQUIPMENT LOAD DETAIL :-	
CENTRIFUGAL FAN	: 2800 Kgs.
MOTOR 55 Kw/4 Pole	: 687 Kgs.
V-BELT DRIVE SET	: 50 Kgs.
BELT GUARD	: 30 Kgs.
BASE FRAME (ITSELF)	: 170 Kgs.
MOTOR SLIDE RAILS	: 4 Kgs.
DYNAMIC LOAD	: 1.80 times.

S.no.	Tag no.	Description	Size LxH	B.O.OPENING	Floor Level (FFL)	Qty.
06.	WO6	Wall Opening	3900x2800	EL-(+).0.5 M	EL-(+).10.00 M	01
05.	WO5	Wall Opening	3600x2800	EL-(+).0.5 M	EL-(+).10.00 M	01
04.	WO4	Wall Opening	1300x2000	EL-(+).4.05 M	EL-(+).10.00 M	01
03.	WO3	Wall Opening	1500x2000	EL-(+).4.05 M	EL-(+).10.00 M	01
02.	WO2	Wall Opening	3900x2600	EL-(+).0.5 M	EL-(+).10.00 M	03
01.	WO1	Wall Opening	1700x2800	EL-(+).0.5 M	EL-(+).10.00 M	01

WALL OPENING SCHEDULE :-

12.	Motorized Fire Damper	1200x1900	1 no.	-
11.	Non-Return Damper	1200x1900	1 no.	-
10.	Motorized Fire Damper	1400x1900	1 no.	-
09.	Non-Return Damper	1400x1900	1 no.	-
08.	Plenum	10500x2800x1600(H)	1 no.	-
07.	Electrical Panel	-	1 no.	-
06.	Air Filters Combo type (Pre+fine)	610x610x355	72 nos.	-
05.	Air Intake Louvers with bird mesh	800 x 2700	6 nos.	GI /
05.	Air Intake Louvers with bird mesh	950 x 2700	4 nos.	GI /
04.	Volume Control Damper	2200 x 2578	1 no.	GI / ...
03.	Outlet Flexible Connection	2200 x 2578	1 no.	Canvas /
02.	Motor 55 Kw/4 Pole	F/S-250 M	1 no.	-
01.	Supply Air Fan Arr-Y(s), C2	-	1 no.	M.S /

Part No.	Description	Size	Qty.	Mat'ls/Make

REV	DATE	DRAWN	CHECKED	APPROVED	NOTE

PROJECT
2X660 MW ENNORE SEZ SUPERCRITICAL THERMAL POWER PROJECT AT ASHE DYKE OF NCTPS, CHENNAI - 400 KV GIS

OWNER
TAMILNADU GENERATION AND DISTRIBUTION CORPORATION LTD.

CONSULTANT
DESIN PRIVATE LIMITED
New Delhi

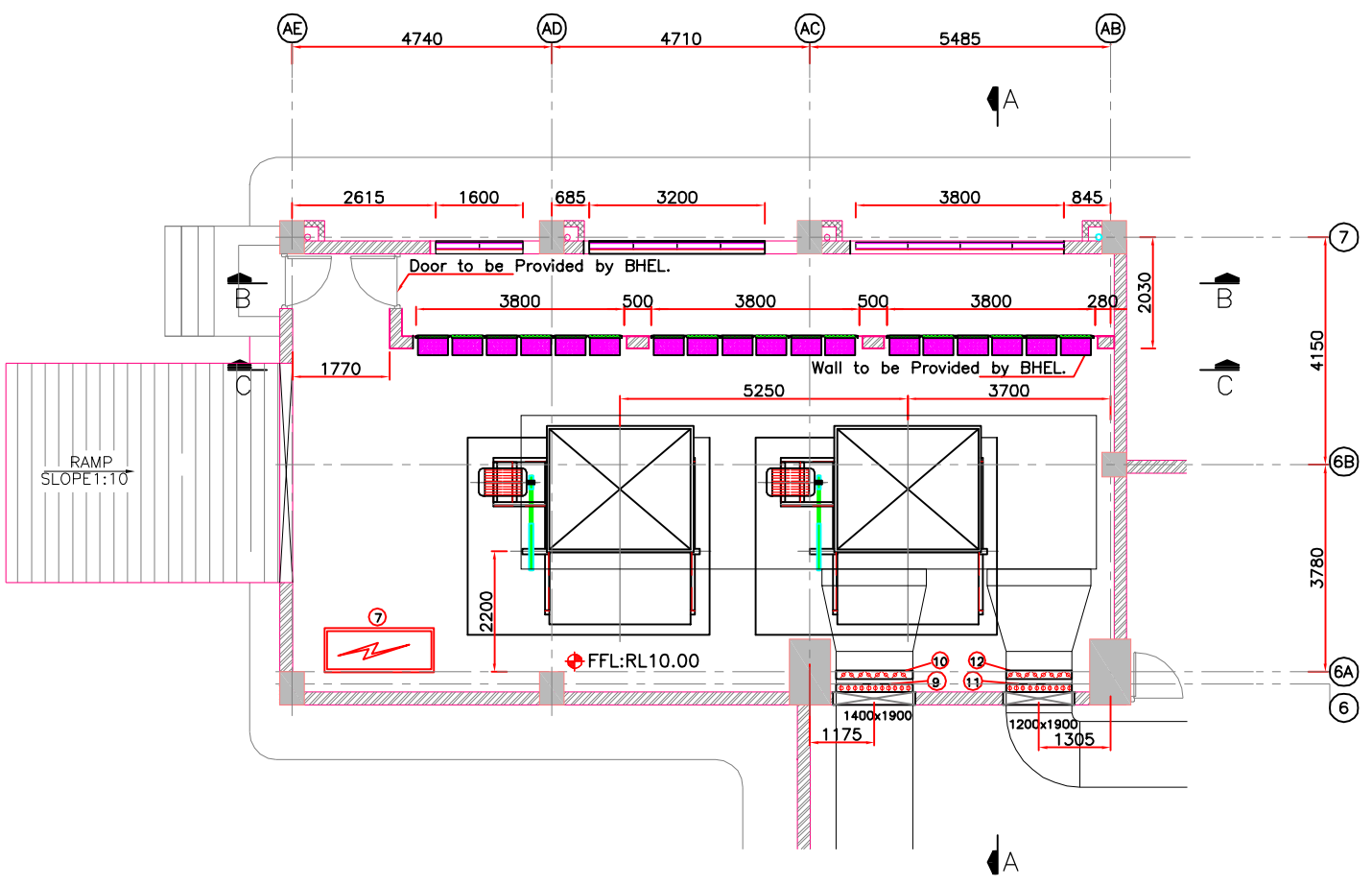
PURCHASER
BHARAT HEAVY ELECTRICALS LTD
TRANSMISSION BUSINESS GROUP, NOIDA

PACKAGE
AIR CONDITIONING AND VENTILATIONS SYSTEMS FOR SWITCHYARD AREA

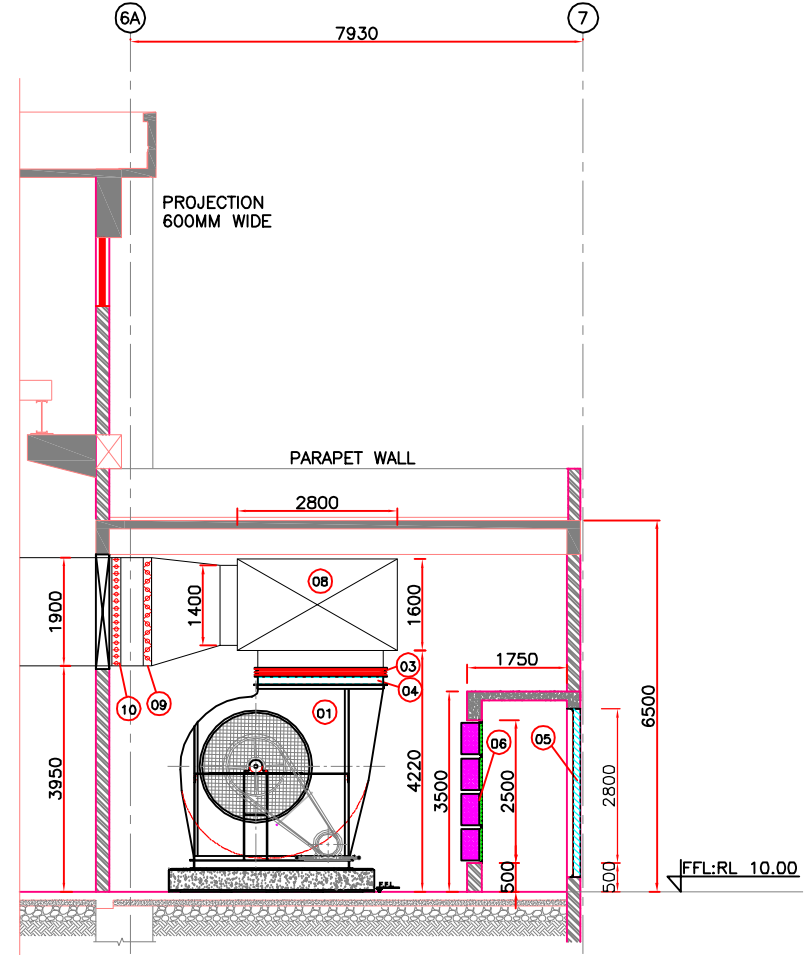
DRAWING TITLE
Ventilation Equipment and Foundation Layout of GIS Hall Ventilation System

DRG.NO
TB-378-316-123-16

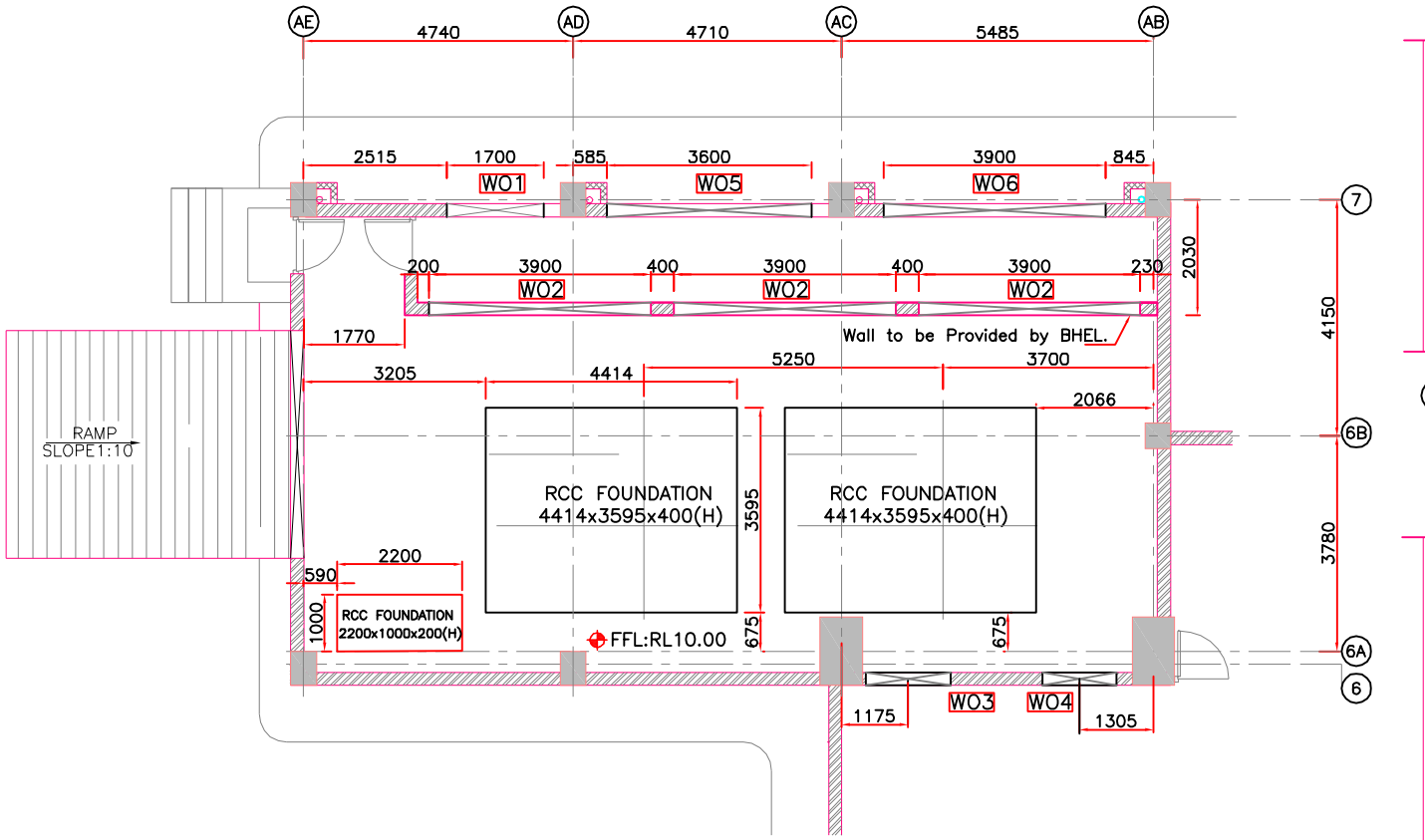
NAME	DATE	SCALE	PAGE	REV
DRAWN				
CHECKED		1:100	1 OF 2	00
APPROVED		A1		



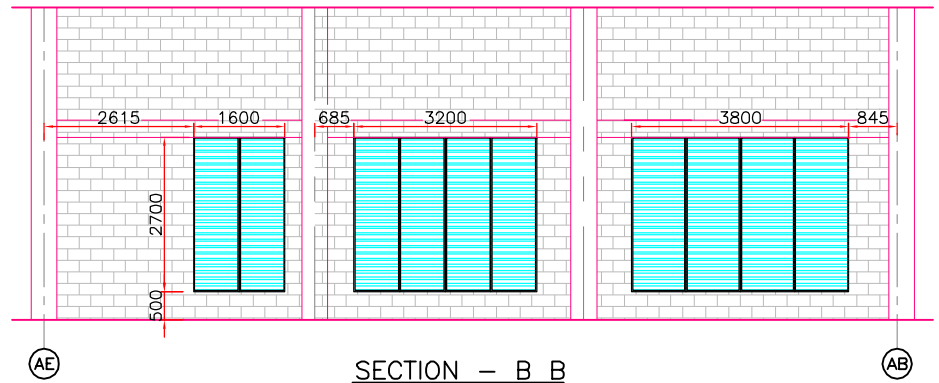
EQUIPMENT PLAN FOR GIS BUILDING VENTILATION



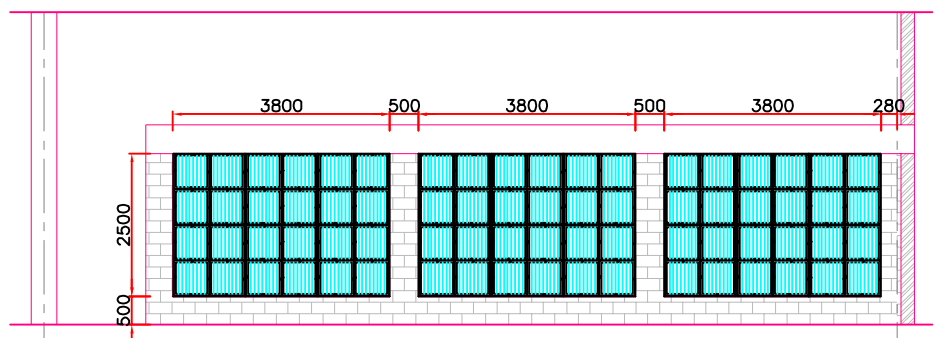
SECTION - A A



CIVIL OPENING PLAN FOR GIS BUILDING VENTILATION



SECTION - B B



SECTION - C C

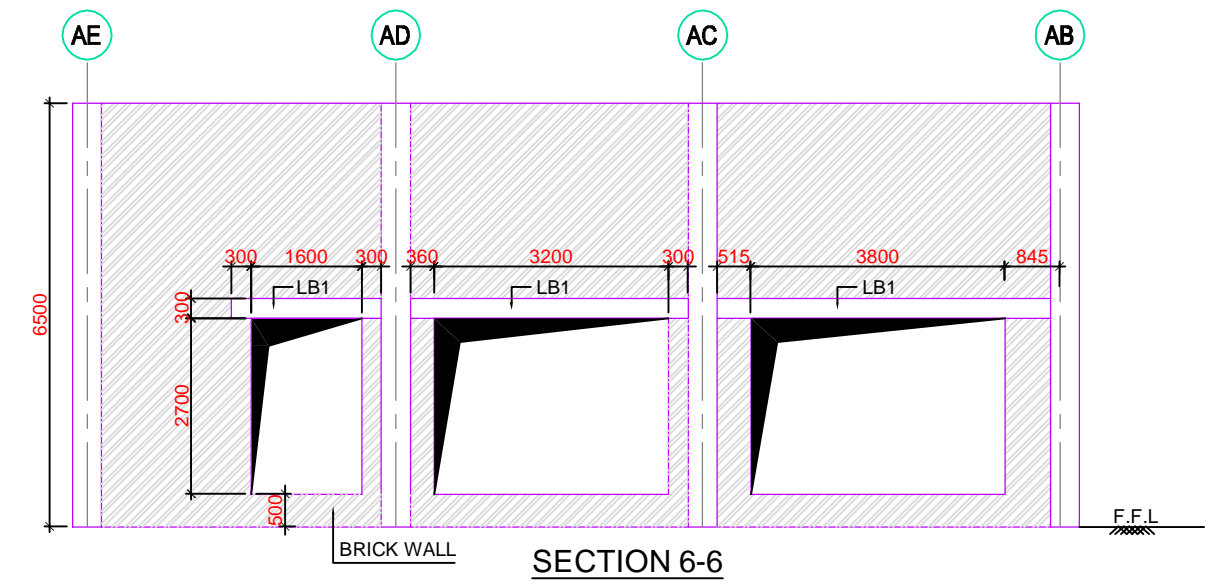
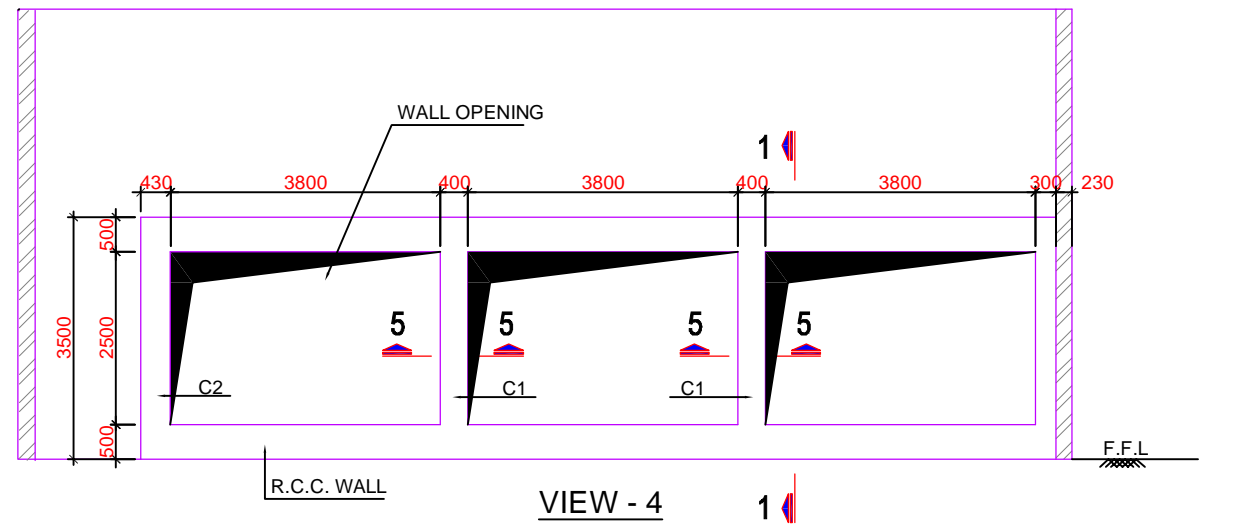
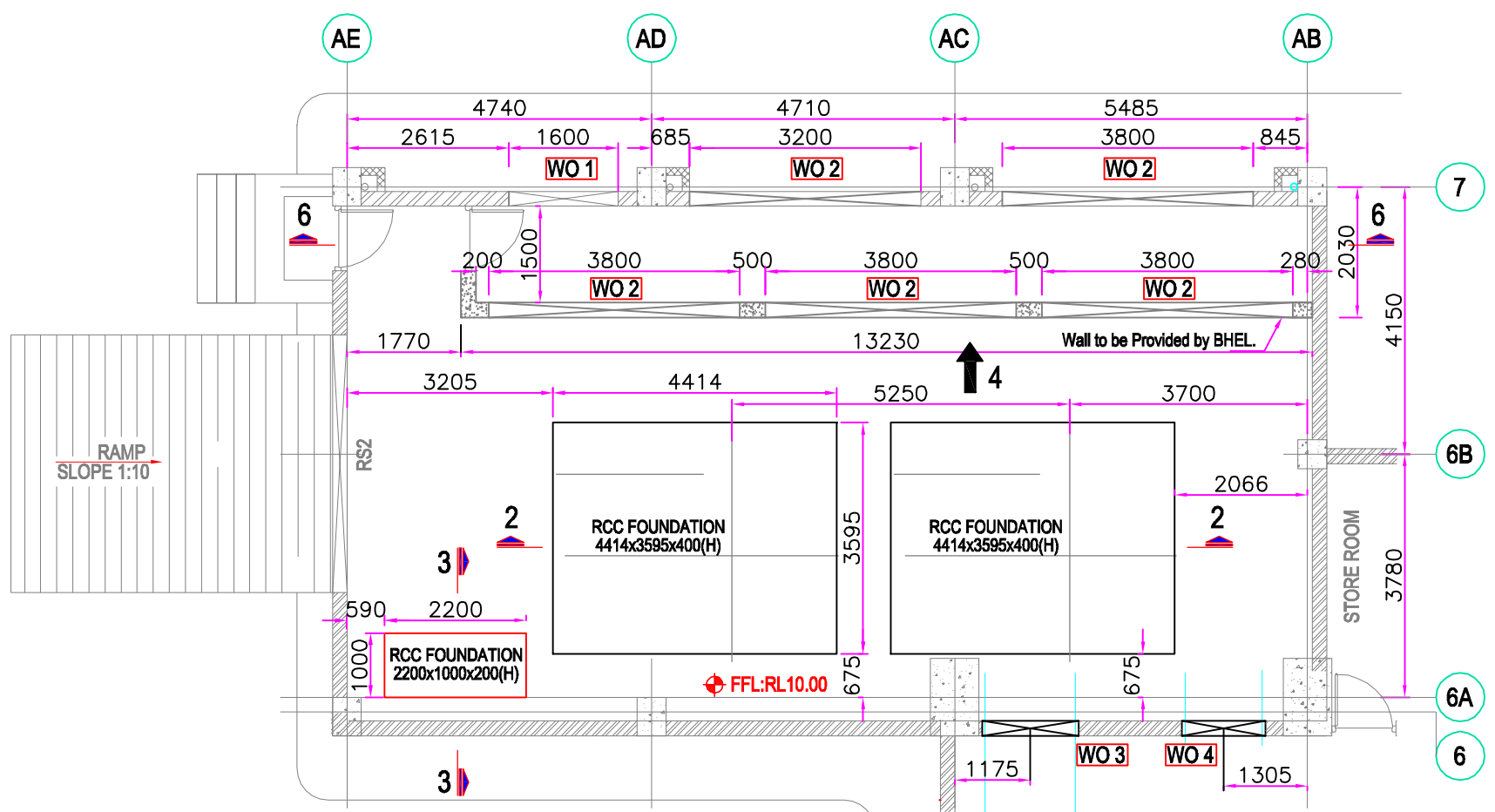
COPY RIGHT AND CONFIDENTIAL
The information on this document is the property of BHARAT HEAVY ELECTRICALS LIMITED
it must not be used directly or indirectly in any way detrimental to the interest of the company.

COMPUTER DRG. PATH NAME :

REF. DRG. No.

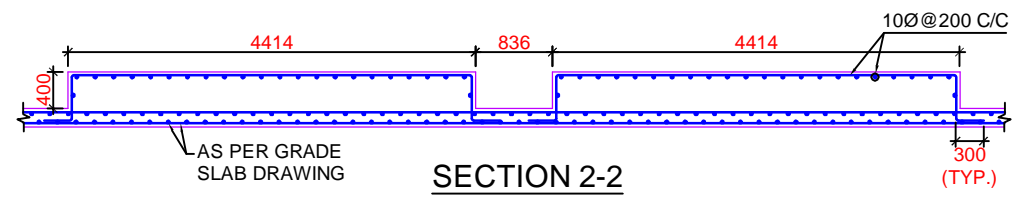
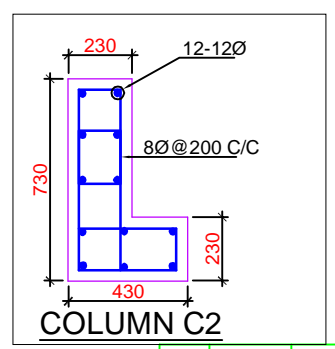
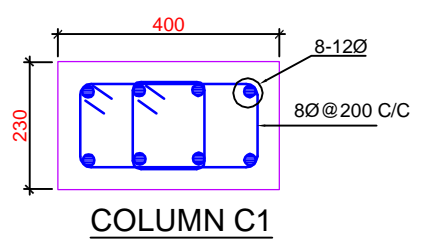
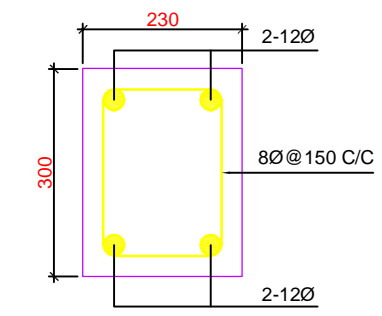
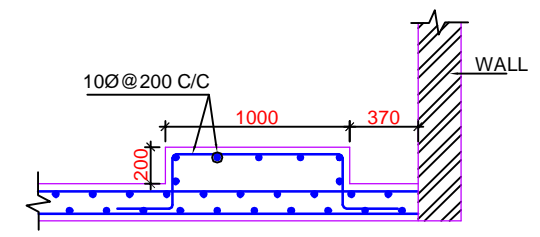
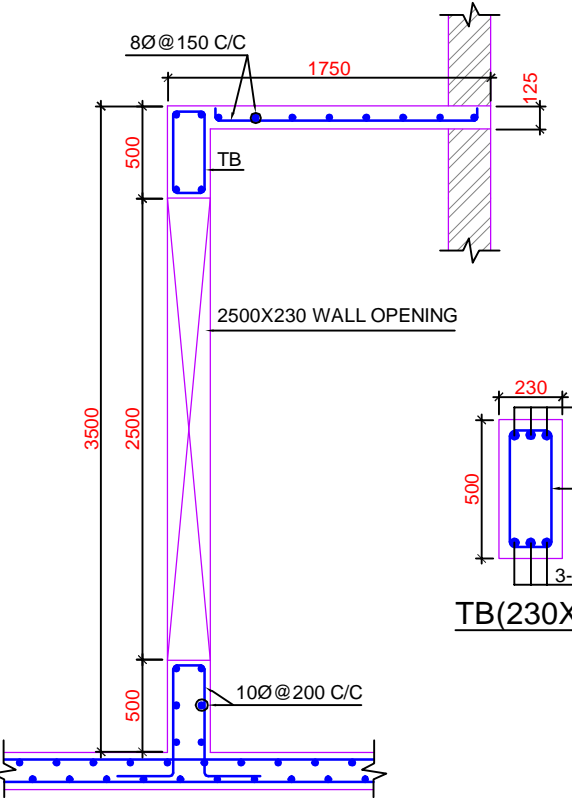
SIGN. & DATE

INVENTORY No.



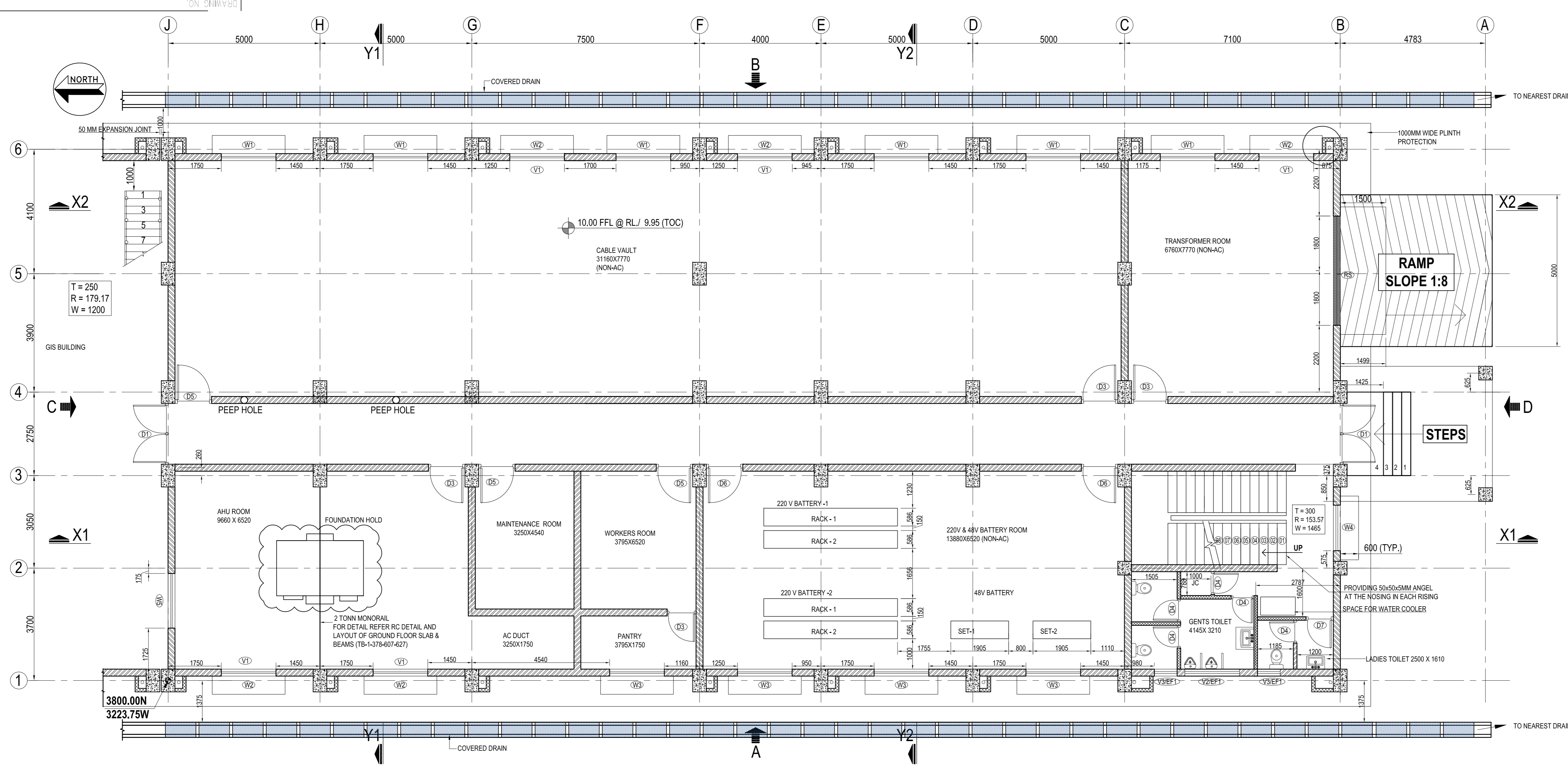
NOTES :-
1. ALL DIMENSIONS ARE IN MM AND LEVELS IN METER, UNLESS SPECIFIED.

VENTILATION ROOM DETAIL PLAN(WALL OPENINGS & PEDESTALS)

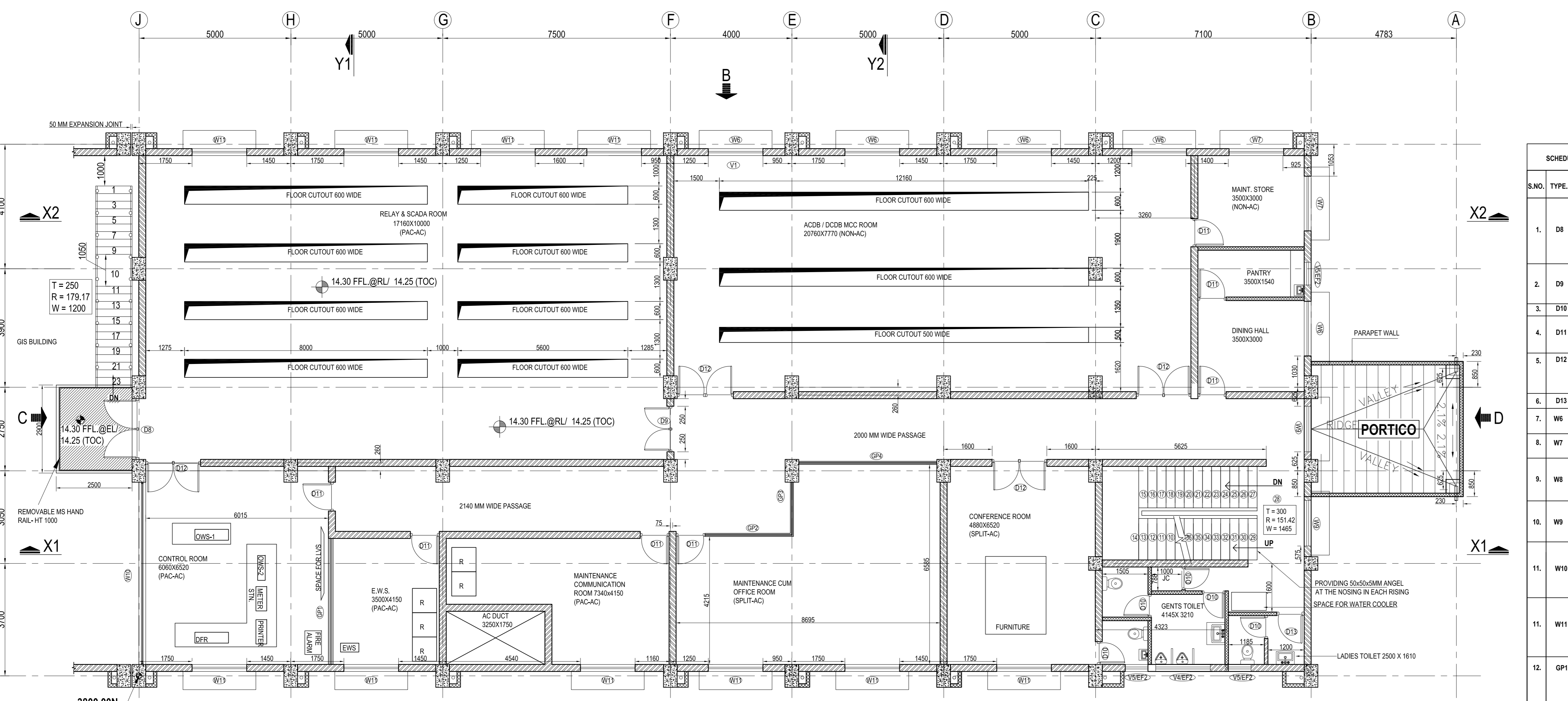


<p>ग्राहक/परियोजना का नाम NAME OF CUSTOMER/PROJECT 2X660 MW ENNORE SEZ SUPERCRITICAL THERMAL POWER PROJECT AT ASHE DYKE OF NCTPS, CHENNAI - 120</p>		<p>CUSTOMER :- TAMILNADU GENERATION AND DISTRIBUTION CORPORATION</p>	
<p>OWNER'S CONSULTANT :- DESEIN PRIVATE LIMITED DESEIN HOUSE, GREATER KAILASH II, NEW DELHI</p>		<p>ADDITIONAL INFORMATION W.O.No.</p>	
<p>STATUS OF DRAWING CONTRACT</p>		<p>DISTRIBUTION OF PRINTS</p>	
<p>REV. DATE ALTERED CHECKED APPROVED</p>		<p>REV. DATE ALTERED CHECKED APPROVED</p>	
<p>पिभाग TBEM DEPT. कोड 422</p>		<p>अनुपात / SCALE NTS कार्ड कोड CARD CODE</p>	
<p>शीट/क./TITLE DETAILS FOR VENTILATION ROOM OPENINGS & PEDESTALS</p>		<p>ड्राईंग.क./DRAWING NO. TB-378-316-123-16 पृष्ठ क./SHEET No. 02 PAGE 2 OF 2</p>	

1-029-607-624-0-B1



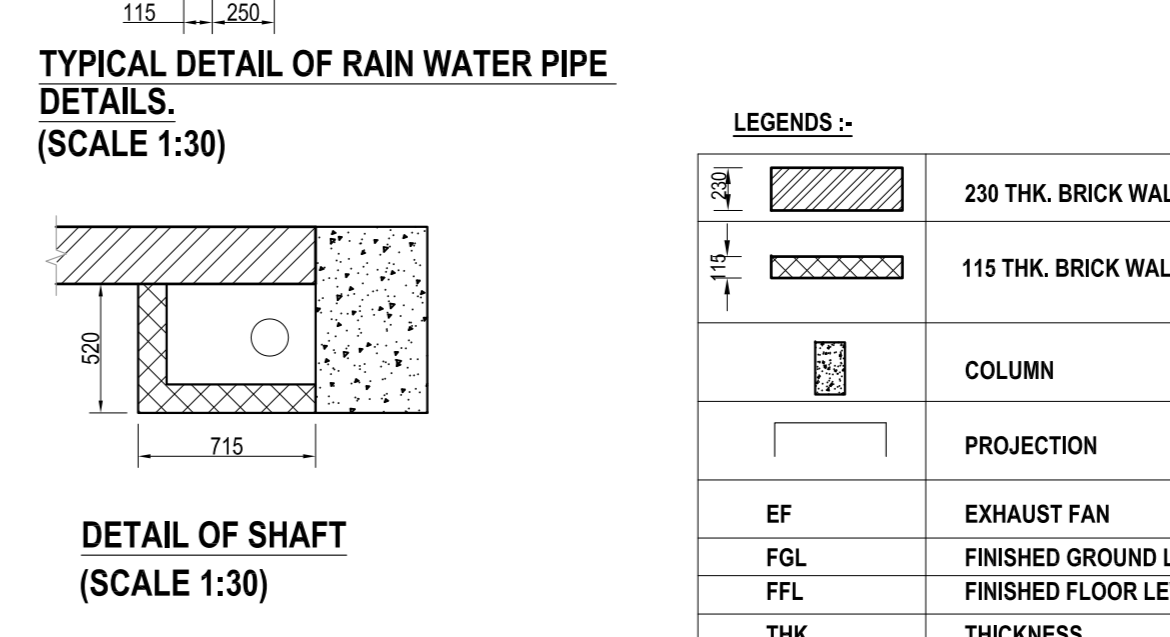
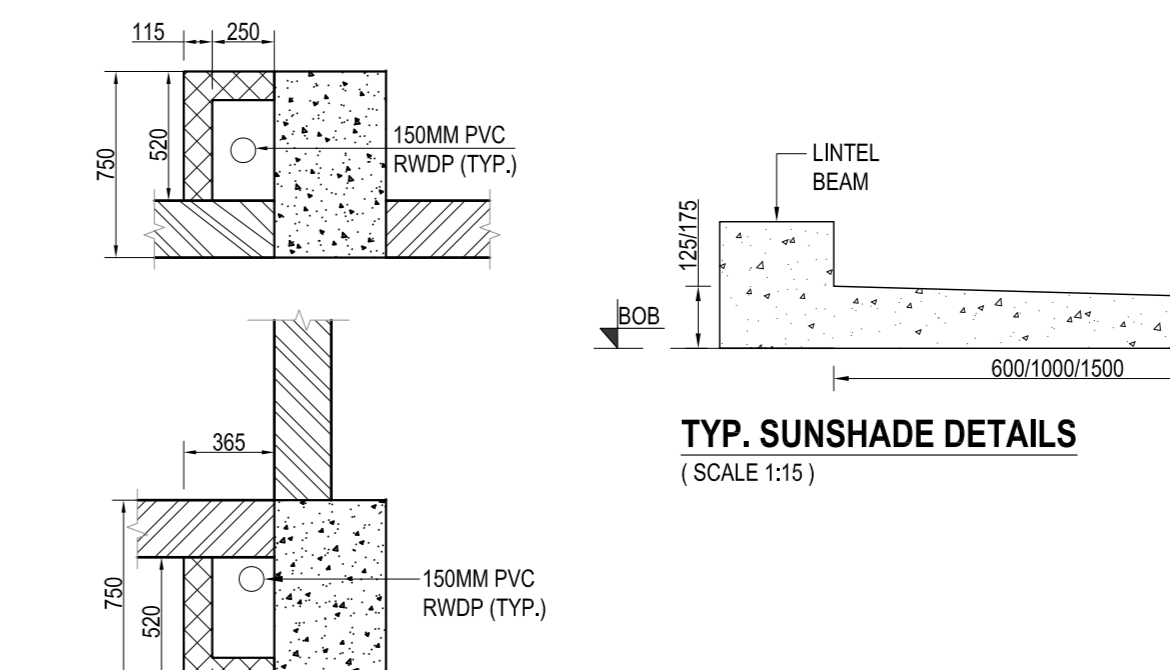
GROUND FLOOR PLAN TOC @ RL 9.95 SCALE 1/75



FIRST FLOOR PLAN TOC @ RL 14.25 SCALE 1/75

SCHEDULE OF DOORS, WINDOWS & OPENING OF GROUND FLOOR

S.NO.	TYPE	SIZE	SILL LVL	LINTEL LVL	QTY.	DESCRIPTION
1.	RS	3600X3000	---	3000	1	PARTLY GRILLED ROLLING SHUTTER
2.	D1	2000X2400	---	2400	2	DOUBLE LEAF ANODIZED ALUMINIUM FRAMEWORK WITH 6MM THICK FLOAT GLASS CONFORMING TO IS 2953
3.	D2	---	---	---	---	DELETED
4.	D3	1200X2100	---	2100	4	SINGLE LEAF 45MM THICK STEEL DOOR WITH STEEL FRAME
5.	D4	750X2100	---	2100	5	SINGLE LEAF PVC DOOR
6.	D5	1000X2100	---	2100	3	SINGLE LEAF ANODIZED ALUMINIUM FRAMEWORK WITH 6MM THICK FLOAT GLASS CONFORMING TO IS 2953
7.	D6	1200X2100	---	2100	2	SINGLE LEAF DOUBLE COVER PLATED TYPE WITH MINERAL WOOL INSULATION FIRE PROOF DOOR (2 HRS. RATING) CONFORMING TO IS 3614 (PART I & II)
8.	D7	900X2100	---	2100	1	SINGLE LEAF PVC DOOR
9.	W1	1800X1200	2450	3650	6	FIXED ALUMINIUM FRAME WITH 6MM THICK WIRE GLASS AS PER IS-5437
10.	W2	1800X1200	900	2100	7	SIDE HUNG OPERABLE ALUMINIUM FRAME WITH 6MM THICK WIRE GLASS WITH MS GRILL AS PER IS-5437
11.	W3	1800X1200	900	2100	2	FIXED ALUMINIUM FRAME WITH 6MM THICK WIRE GLASS AS PER IS-5437
12.	W4	1500X1500	900	2400	1	SIDE HUNG OPERABLE ALUMINIUM FRAME WITH 6MM THICK WIRE GLASS WITH MS GRILL AS PER IS-5437
13.	W5	1800X1500	900	2400	1	FIXED ALUMINIUM FRAME WITH 4MM THICK FLOAT GLASS
14.	V1	1800X500	3150	3650	5	FIXED ALUMINIUM FRAME WITH 6MM THICK WIRE GLASS AS PER IS-5437
15.	V2	1800X500	3150	3650	1	FIXED ALUMINIUM FRAME WITH 4MM THICK FLOAT GLASS
16.	V3	750X500	3150	3650	6	FIXED ALUMINIUM FRAME WITH 4MM THICK FLOAT GLASS
17.	EF1	500 Ø	3100	3600	3	EXHAUST FAN AS PER SPECIFICATION

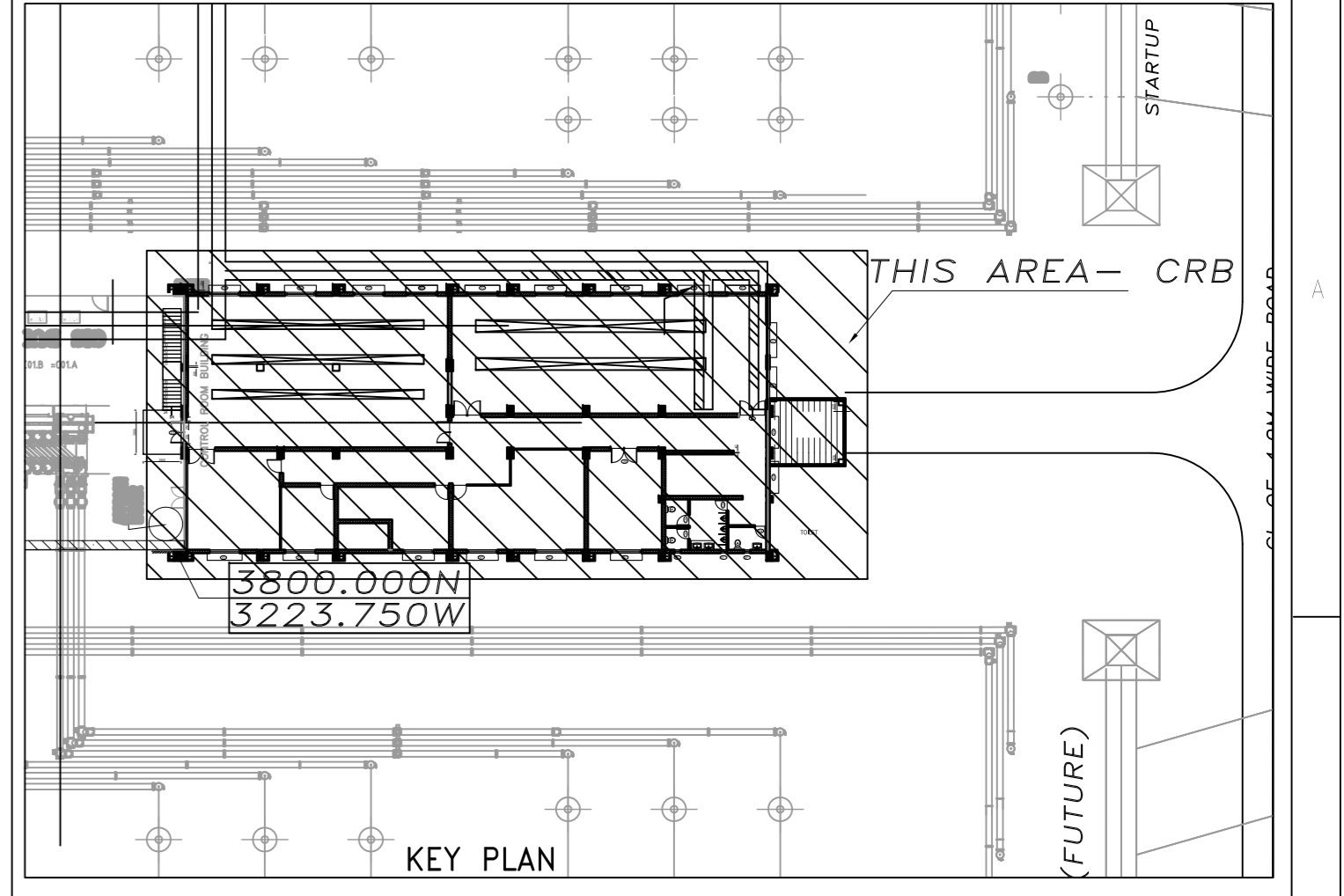


LEGENDS :-

230 THK. BRICK WALL	
115 THK. BRICK WALL	
COLUMN	
PROJECTION	
EF	EXHAUST FAN
FGL	FINISHED GROUND LEVEL
FFL	FINISHED FLOOR LEVEL
THK	THICKNESS
TOP	TOP OF PARAPET WALL
TOC	TOP OF CONCRETE
PAC-AC	PRECISION AIR CONDITIONER
SPLIT-AC	SPLIT AIR CONDITIONER

SCHEDULE OF DOORS, WINDOWS & OPENING OF FIRST FLOOR

S.NO.	TYPE	SIZE	SILL LVL	LINTEL LVL	QTY.	DESCRIPTION
1.	D8	2000X2400	---	2400	1	DOUBLE LEAF ANODIZED ALUMINIUM FRAMEWORK WITH GLAZING CONSISTING OF TWO 6MM THICK CLEAR TOUGHENED SAFETY GLASS CONFORMING TO IS 2953 HERMETICALLY SEALED AND SEPARATED BY 12MM THICK GAP
2.	D9	1500X2400	---	2400	1	DOUBLE LEAF ANODIZED ALUMINIUM FRAMEWORK WITH 6MM THICK FLOAT GLASS CONFORMING TO IS 2953
3.	D10	750X2100	---	2100	5	SINGLE LEAF PVC DOOR
4.	D11	1000X2100	---	2100	6	SINGLE LEAF ANODIZED ALUMINIUM FRAMEWORK WITH 6MM THICK FLOAT GLASS CONFORMING TO IS 2953
5.	D12	1800X2400	---	2400	4	DOUBLE LEAF ANODIZED ALUMINIUM FRAMEWORK WITH 6MM THICK FLOAT GLASS CONFORMING TO IS 2953
6.	D13	900X2100	---	2100	2	SINGLE LEAF PVC DOOR
7.	W6	1800X1200	900	2100	5	FIXED ALUMINIUM FRAME WITH 6MM THICK WIRE GLASS AS PER IS-5437
8.	W7	1800X1200	900	2100	2	FIXED ALUMINIUM FRAME WITH 6MM THICK WIRE GLASS AS PER IS-5437
9.	W8	DELETED	---	---	---	SIDE HUNG OPERABLE ALUMINIUM FRAME WITH 6MM THICK WIRE GLASS AS PER IS-5437
10.	W9	1500X1200	900	2100	2	SIDE HUNG OPERABLE ALUMINIUM FRAME WITH 6MM THICK WIRE GLASS AS PER IS-5437
11.	W10	6000X2250	150	2400	1	FIXED ALUMINIUM FRAMEWORK WITH GLAZING CONSISTING OF TWO 6MM THICK CLEAR TOUGHENED SAFETY GLASS CONFORMING TO IS 2953. HERMETICALLY SEALED AND SEPARATED BY 12MM THICK GAP.
12.	W11	1800X1200	900	2100	10	FIXED ALUMINIUM FRAMEWORK WITH GLAZING CONSISTING OF TWO 6MM THICK CLEAR TOUGHENED SAFETY GLASS CONFORMING TO IS 2953. HERMETICALLY SEALED AND SEPARATED BY 12MM THICK GAP.
13.	GP1	4150X1950	150	---	1	FIXED ALUMINIUM FRAMEWORK WITH 4MM THICK FLOAT GLASS
14.	GP2	2815X2850	150	---	1	FIXED ALUMINIUM FRAME WITH 6MM THICK FLOAT GLASS
15.	GP3	1735X2850	150	---	1	FIXED ALUMINIUM FRAME WITH 6MM THICK FLOAT GLASS
16.	GP4	4550X2850	150	---	1	FIXED ALUMINIUM FRAME WITH 6MM THICK FLOAT GLASS
17.	EF2	500 Ø	3100	3600	4	EXHAUST FAN AS PER SPECIFICATION
18.	V4	1800X500	3100	3600	3	FIXED ALUMINIUM FRAME WITH 4MM THICK FLOAT GLASS
19.	V5	750X500	3100	3600	3	FIXED ALUMINIUM FRAME WITH 4MM THICK FLOAT GLASS



- NOTES
1. ALL THE DIMENSIONS ARE IN MILLIMETER AND LEVELS ARE IN METER UNLESS SPECIFIED OTHERWISE.
 2. IS 100MM CORRESPONDS TO FGL AT RL 9.50M
 3. ALL THE LEVELS ARE FROM FGL.
 4. DRAWINGS ARE NOT TO BE SCALED. ONLY WRITTEN DIMENSIONS ARE TO BE FOLLOWED.
 5. IN THE EVENT OF ANY DISCREPANCIES OR DIFFERENCES BETWEEN ARCHITECTURAL DRAWINGS AND STRUCTURAL ENGINEERING DRAWINGS OR SITE CONDITIONS OR OTHERWISE, DRAWINGS OR ANY OTHER IMMEDIATE REF. SHOULD BE MADE TO THE ARCHITECT FOR CLARIFICATIONS PRIOR TO EXECUTION OF WORK.
 6. FALSE CEILING SHALL BE PROVIDED OF LIGHT WEIGHT MINERAL FIBRE TILE TYPE FALSE CEILING
 7. ALL FURNITURE AND CONFERENCE ROOM WITH ALL AMENITIES SHALL BE PROVIDED AS PER SPECIFICATIONS
 8. GRANITE SLAB SHALL BE PROVIDED AT SILL LEVEL FOR WINDOWS.

REFERENCE DRAWINGS:-

SR. NO.	DESCRIPTION	NUMBER
1	CONCEPTUAL LAYOUT OF CRB FOR SWITCHYARD	TB-378-10-04
2	FOUNDATION DETAILS OF CRB	TB-1-378-607-624



GENERAL CIVIL SPECIFICATIONS

BRICK WORK :-
BRICKS HAVING MINIMUM 75 kg/sq.cm COMPRESSIVE STRENGTH SHALL BE USED.
CEMENT AND SAND MORTAR 1:5 FOR ONE BRICK THICK WALL AND 1:4 FOR HALF BRICK THICK WALL SHALL BE USED.

DAMP PROOF COURSE :-
50mm THICK 1:1.5:3 CONCRETE WITH PROOFING ADMIXTURE.

ROOF WATER PROOFING :-
ALL ROOFS SHALL BE PROVIDED WITH EXTRA HEAVY DUTY WATER PROOFING TREATMENT COMPRISING OF SEVEN COURSES AS PER IS:1346 USING LAYER OF TYPE 2 GRADE 1 CLASS FIRE BASED FELT AS PER IS:7193 ALL AS SPECIFIED IN CLAUSE 18.07.00.

PLASTER :-
1. EXTERNAL PLASTER 20mm THICK IN 2 COATS, 1st COAT OF 12mm THICK IN CM 1:3 & 2nd COAT OF 8mm THICK IN CM 1:2 SAND FACED.
2. INTERNAL PLASTER 12mm THICK (1 CEMENT : 3 SAND)
3. CEILING PLASTER 6mm THICK (1 CEMENT : 3 SAND)

RAIN WATER DOWN COMERS :-
FOR ROOFING DRAINAGE, 100mm PVC RAIN WATER DOWN TAKE PIPE SHALL BE PROVIDED.

CHAJJA & CANOPIES TOP :-
TOP SURFACE OF CHAJJAS & CANOPIES SHALL BE MADE WATER PROOFING BY PROVIDING A SCREED LAYER OF ADEQUATE SLOPE

STAIRCASE
PROVIDING 50x50x5mm ANGEL AT THE NOSING IN EACH RISING

REMOVABLE MS HANDRAIL 90MM HIGH
HANDRAIL SHALL BE OF 32 MM NOMINAL NORE MS PIPE (MEDIUM CLASS) AS PER IS:1161 GALVANISED USING 750 GM/SQM OF ZINC. IT SHALL BE 900 MM HIGH CONSISTING OF TWO HORIZONTAL RAILS. VERTICAL POST SPACING SHALL NOT BE MORE THAN 1500 MM.

EXTERNAL FINISH
WATER PROOF CEMENT BASED PAINT

PROJECT 2 X 660 MW ENNORE SEZ SUPERCRITICAL THERMAL POWER
PROJECT AT ASH DYKE OF NCTPS, CHENNAI - 120

CUSTOMER TAMILNADU GENERATION AND DISTRIBUTION CORPORATION

OWNER'S CONSULTANT DESEIN PRIVATE LIMITED
DESEIN HOUSE, GREATER KAILASH II, NEW DELHI

CONTRACTOR'S CONSULTANT DESIGN SOLUTIONS INC. SCO 43, 2nd FLOOR,
SECTOR 4, PANCHKULA, HARYANA - 134112

REVISIONS

NO.	DATE	DESCRIPTION
1	15.08.2018	ISSUED FOR PERMIT
2	15.08.2018	ISSUED FOR PERMIT
3	15.08.2018	ISSUED FOR PERMIT
4	15.08.2018	ISSUED FOR PERMIT
5	15.08.2018	ISSUED FOR PERMIT
6	15.08.2018	ISSUED FOR PERMIT
7	15.08.2018	ISSUED FOR PERMIT
8	15.08.2018	ISSUED FOR PERMIT
9	15.08.2018	ISSUED FOR PERMIT
10	15.08.2018	ISSUED FOR PERMIT
11	15.08.2018	ISSUED FOR PERMIT
12	15.08.2018	ISSUED FOR PERMIT
13	15.08.2018	ISSUED FOR PERMIT
14	15.08.2018	ISSUED FOR PERMIT
15	15.08.2018	ISSUED FOR PERMIT
16	15.08.2018	ISSUED FOR PERMIT
17	15.08.2018	ISSUED FOR PERMIT
18	15.08.2018	ISSUED FOR PERMIT
19	15.08.2018	ISSUED FOR PERMIT
20	15.08.2018	ISSUED FOR PERMIT
21	15.08.2018	ISSUED FOR PERMIT
22	15.08.2018	ISSUED FOR PERMIT
23	15.08.2018	ISSUED FOR PERMIT
24	15.08.2018	ISSUED FOR PERMIT
25	15.08.2018	ISSUED FOR PERMIT
26	15.08.2018	ISSUED FOR PERMIT
27	15.08.2018	ISSUED FOR PERMIT
28	15.08.2018	ISSUED FOR PERMIT
29	15.08.2018	ISSUED FOR PERMIT
30	15.08.2018	ISSUED FOR PERMIT
31	15.08.2018	ISSUED FOR PERMIT
32	15.08.2018	ISSUED FOR PERMIT
33	15.08.2018	ISSUED FOR PERMIT
34	15.08.2018	ISSUED FOR PERMIT
35	15.08.2018	ISSUED FOR PERMIT
36	15.08.2018	ISSUED FOR PERMIT
37	15.08.2018	ISSUED FOR PERMIT
38	15.08.2018	ISSUED FOR PERMIT
39	15.08.2018	ISSUED FOR PERMIT
40	15.08.2018	ISSUED FOR PERMIT
41	15.08.2018	ISSUED FOR PERMIT
42	15.08.2018	ISSUED FOR PERMIT
43	15.08.2018	ISSUED FOR PERMIT
44	15.08.2018	ISSUED FOR PERMIT
45	15.08.2018	ISSUED FOR PERMIT
46	15.08.2018	ISSUED FOR PERMIT
47	15.08.2018	ISSUED FOR PERMIT
48	15.08.2018	ISSUED FOR PERMIT
49	15.08.2018	ISSUED FOR PERMIT
50	15.08.2018	ISSUED FOR PERMIT

ARCHITECTURE DRAWINGS- GROUND & FIRST FLOOR PLAN FOR CONTROL ROOM BUILDING

TB-0-378-607-620-1 03