

Internal Rev.: A00 We reserve all rights in this document and information contained therein. Use or disclosure to third parties without express authority is strictly forbidden.
 Date: 27-Sep-2018
 *Approval does not relieve the EPC contractor of its responsibility as specified in the Contract.

1	2	3	4	5	6	7	8
LJ Yang	YH Wang	MY Dai	2018/8/5	04			
DRAWN	CHECKED	APPROVED	DATE	REV.			

Sieyuan

CSD SCHEMATIC DIAGRAM
 2×660MW Maitree Super Thermal Power Project 400kV GIS

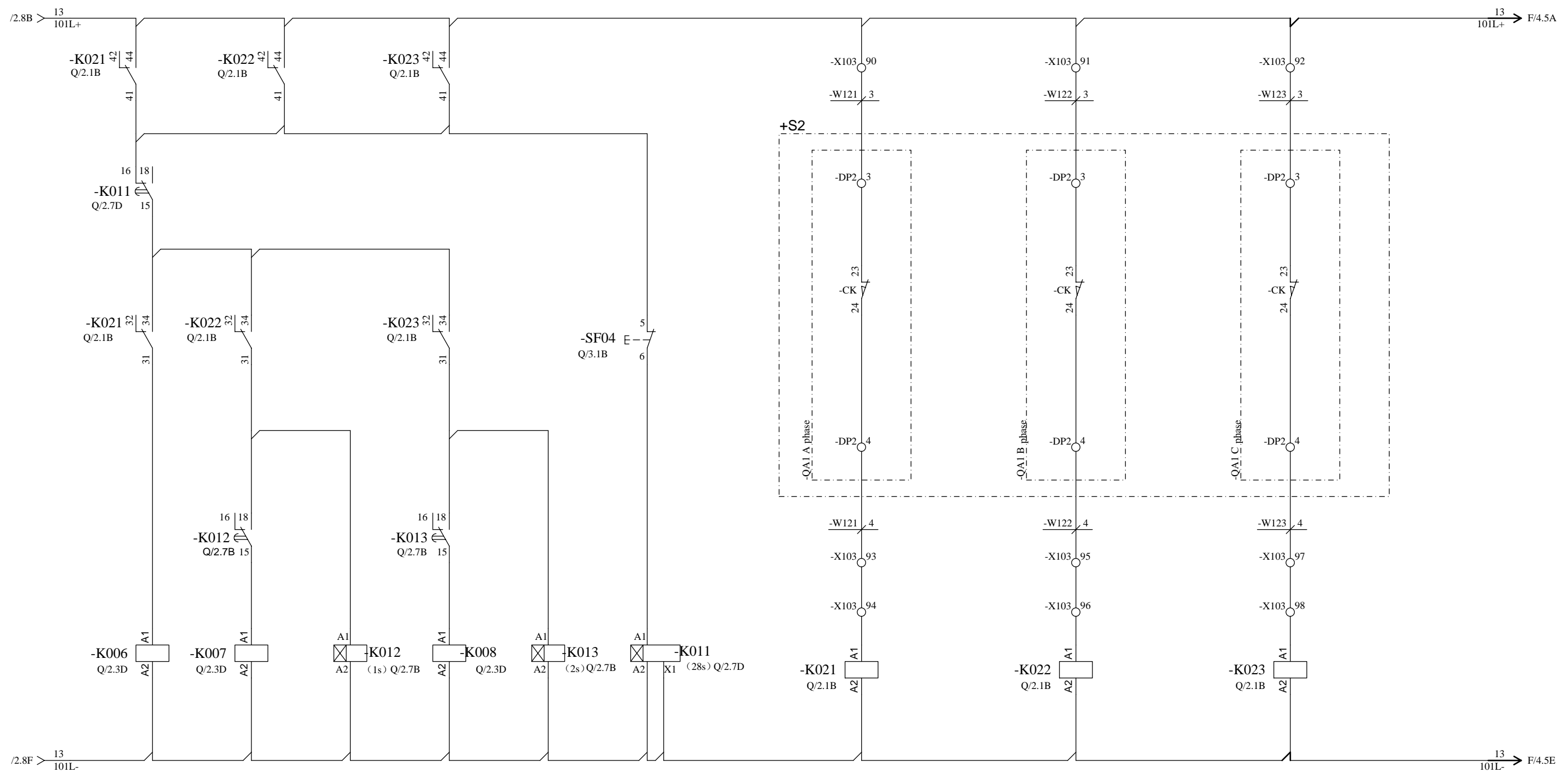
Document	=BAY 402	Total
KA	+S1	7
Maitree-00-AC-EDB-325420-TBG		Sheet
		KA 2

Internal Rev.: A00 We reserve all rights in this document and information contained therein. Use or disclosure to third parties without express authority is strictly forbidden.

Spring charging of motor

Overtime protection for motor

Three phase motor spring charging control and overtime protection



LJ Yang	YH Wang	MY Dai	2018/8/5	04
DRAWN	CHECKED	APPROVED	DATE	REV.

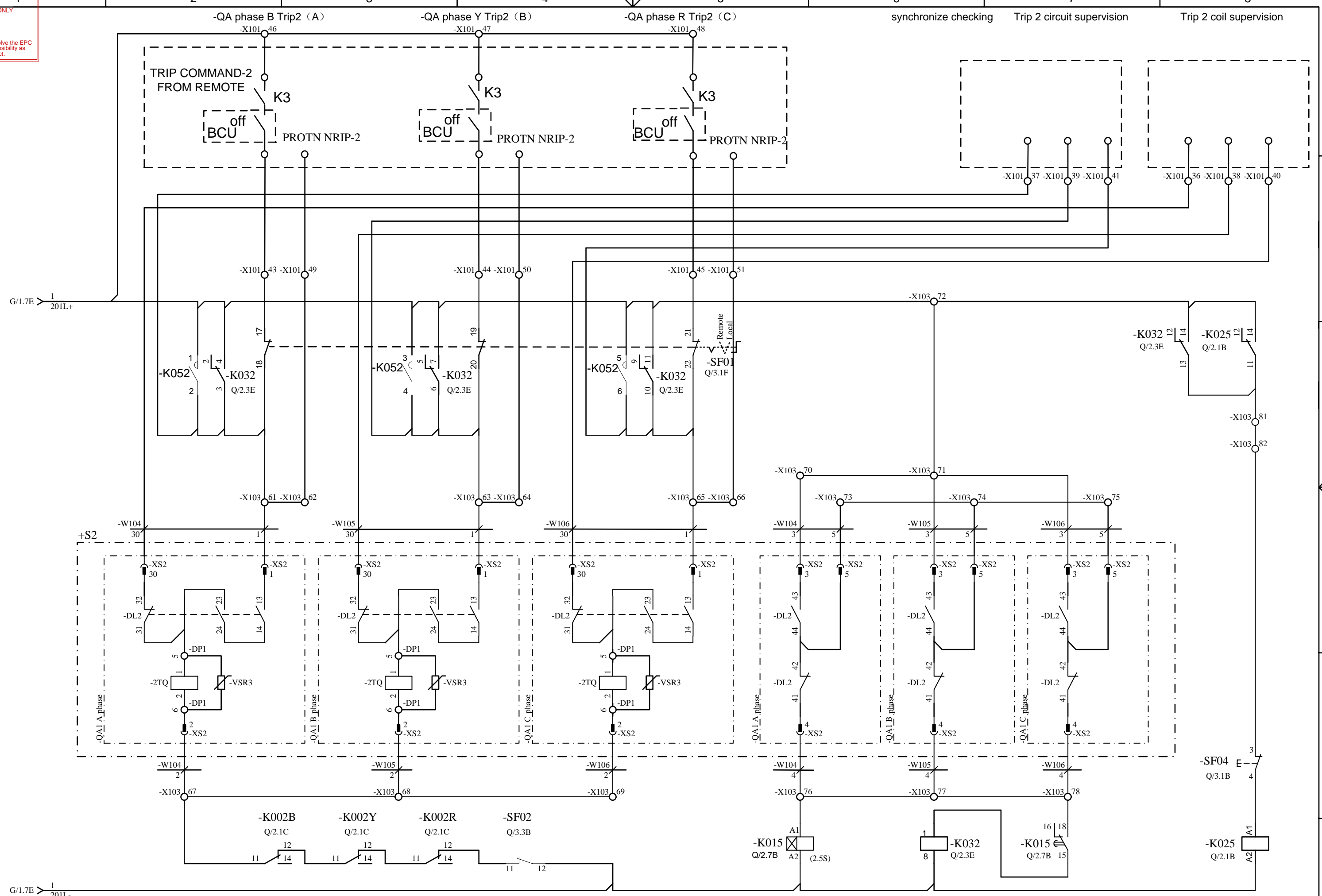


CSD SCHEMATIC DIAGRAM
2x660MW Maitree Super Thermal Power Project 400kV GIS

Document	=BAY 402	Total
KA	+S1	7
Maitree-00-AC-EDB-325420-TBG		Sheet
		KA 3

*Approval does not relieve the EPC contractor of its responsibility as specified in the Contract.

Internal Rev.: A00 We reserve all rights in this document and information contained therein. Use or disclosure to third parties without express authority is strictly forbidden.



1	2	3	4	5	6	7	8
LJ Yang	YH Wang	MY Dai	2018/8/5	04			
DRAWN	CHECKED	APPROVED	DATE	REV.			

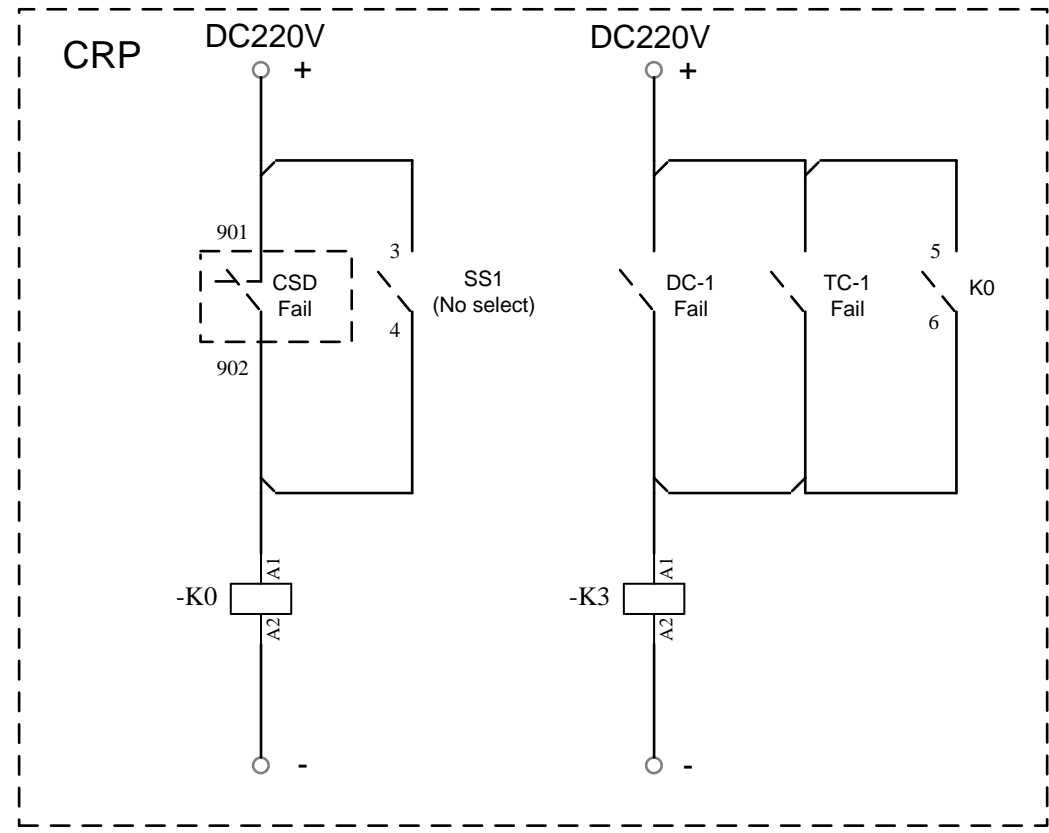


CSD SCHEMATIC DIAGRAM
 2x660MW Maitree Super Thermal Power Project 400kV GIS

Document	=BAY 402	Total
KA	+S1	7
Maitree-00-AC-EDB-325420-TBG		Sheet
		KA 4

Internal Rev.: A00 We reserve all rights in this document and information contained therein. Use or disclosure to third parties without express authority is strictly forbidden.

Date: 27-Sep-2018
 *Approval does not relieve the EPC contractor of its responsibility as specified in the Contract.



Note:
 1. RELAY K0 ,K1,K2,K3,selector switch SS1 shall be supplied loose by SIEYUAN and mounted in C&R panel; but wiring and cables are not by SIEYUAN scope.

2.BOQ List of CSD

BILL OF QUANTITY																											
No.	SYMBOL	DESCRIPTION	TYPE	QTY.		MAKE																					
1	-SS1	SELECT SWITCH	LW38D-209C5938/3Y	1	<table border="1"> <tr> <td>Position</td> <td>select</td> <td>No select</td> </tr> <tr> <td>Contacts</td> <td>1-2</td> <td>X</td> </tr> <tr> <td></td> <td>3-4</td> <td>X</td> </tr> <tr> <td></td> <td>5-6</td> <td>X</td> </tr> <tr> <td></td> <td>7-8</td> <td>X</td> </tr> <tr> <td></td> <td>9-10</td> <td>X</td> </tr> <tr> <td></td> <td>11-12</td> <td>X</td> </tr> </table>	Position	select	No select	Contacts	1-2	X		3-4	X		5-6	X		7-8	X		9-10	X		11-12	X	CHANGJIANG ELECTRICAL
Position	select	No select																									
Contacts	1-2	X																									
	3-4	X																									
	5-6	X																									
	7-8	X																									
	9-10	X																									
	11-12	X																									
2	K0 ,K1,K2,K3	CONTACTOR	LP1-K0901MD	4		SCHNEIDER																					
3		TEMPERATURE TRANSDUCER	T310	1	LOCATION OF TEMPERATURE TRANSDUCER SHALL BE IN GIS.	NR Electric																					

LJ Yang	YH Wang	MY Dai	2018/8/5	04
DRAWN	CHECKED	APPROVED	DATE	REV.

Sieyuan

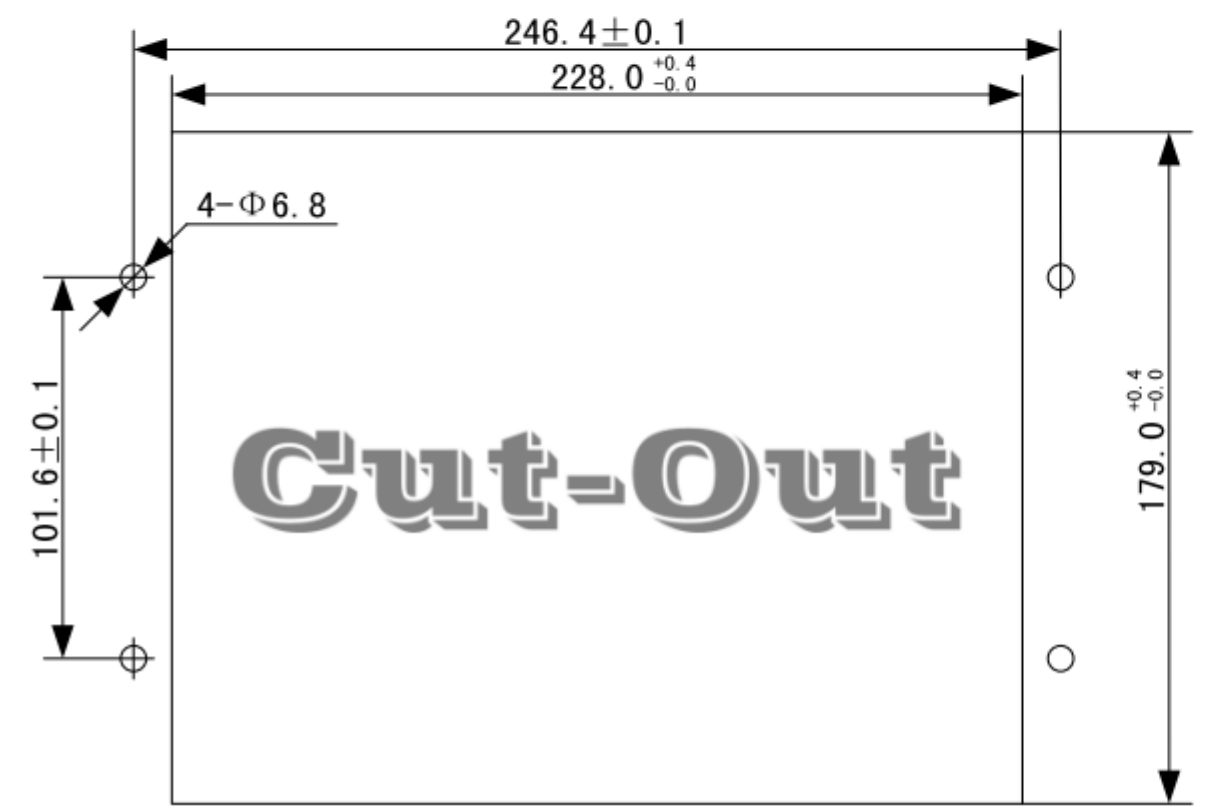
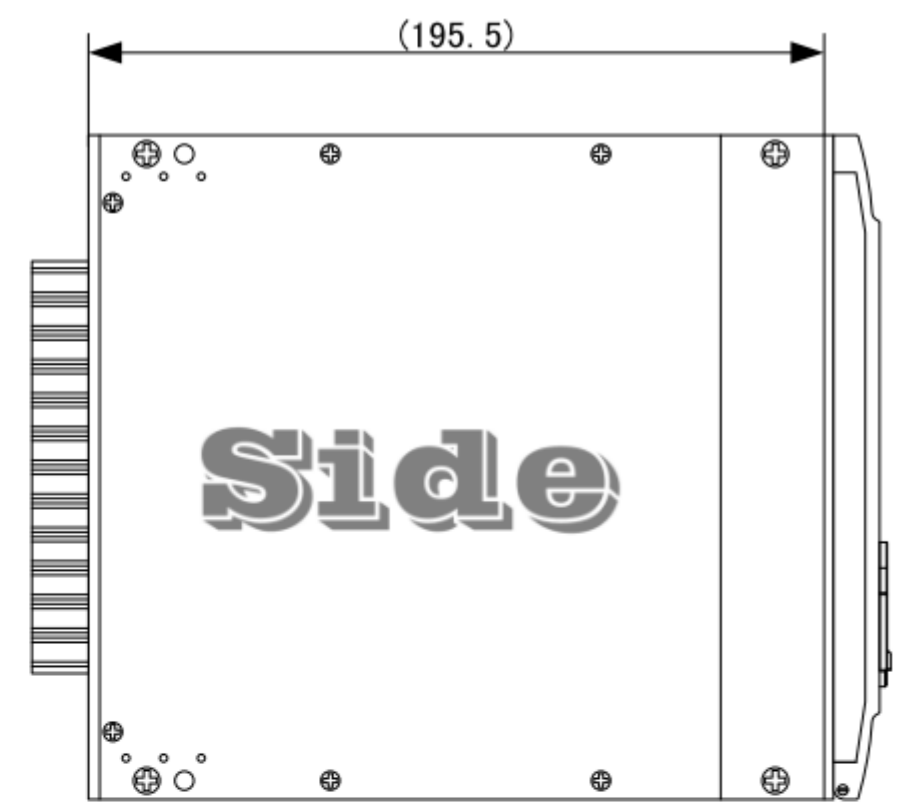
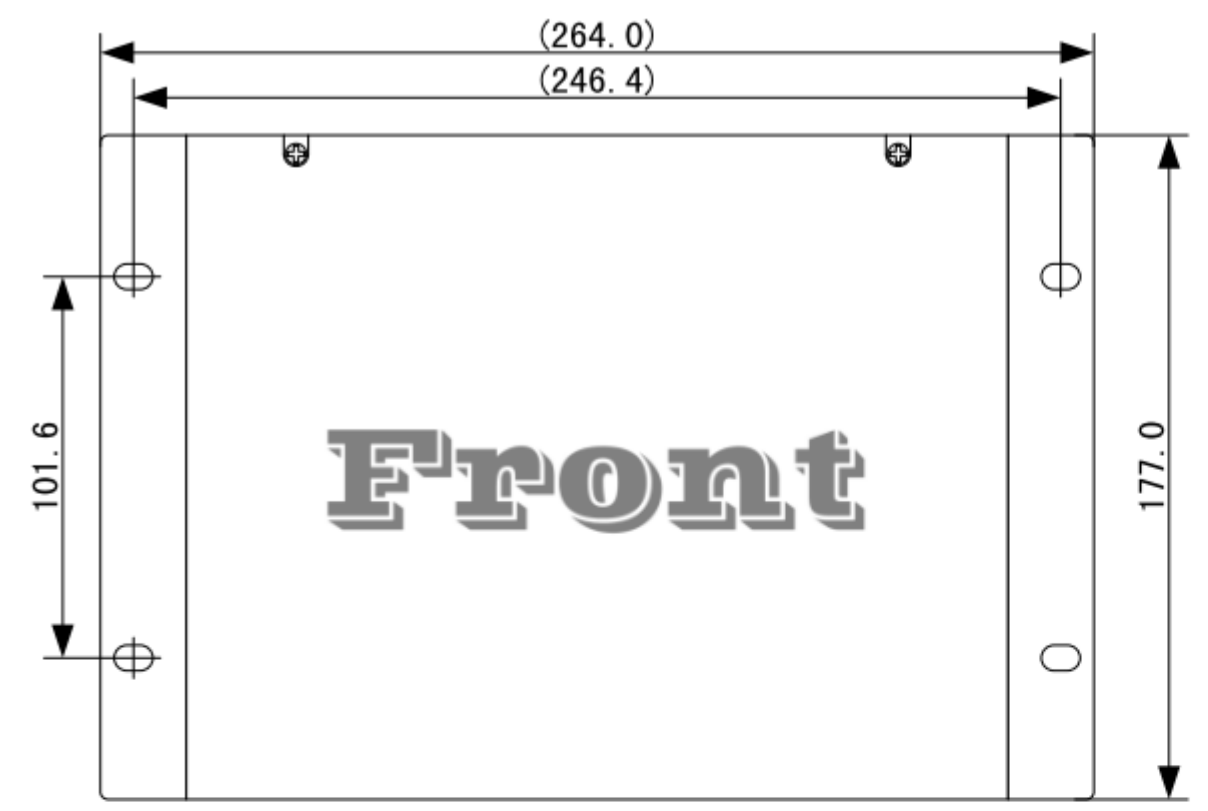
CSD SCHEMATIC DIAGRAM
 2x660MW Maitree Super Thermal Power Project 400kV GIS

Document	=BAY 402	Total
KA	+S1	7
Maitree-00-AC-EDB-325420-TBG		Sheet
		KA 5

FOR INFORMATION ONLY
 Date: 27-Sep-2018
 *Approval does not relieve the EPC contractor of its responsibility as specified in the Contract.

Internal Rev.: A00 We reserve all rights in this document and information contained therein. Use or disclosure to third parties without express authority is strictly forbidden.

2. CSD GA Drawings.



LJ Yang	YH Wang	MY Dai	2018/8/5	04
DRAWN	CHECKED	APPROVED	DATE	REV.

Sieyuan

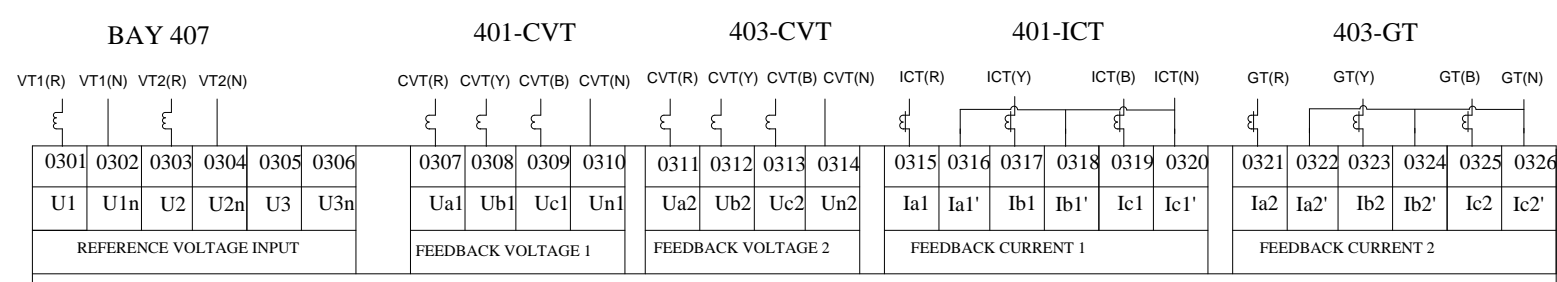
CSD SCHEMATIC DIAGRAM
 2×660MW Maitree Super Thermal Power Project 400kV GIS

Document	=BAY 402	Total
KA	+S1	7
Maitree-00-AC-EDB-325420-TBG		Sheet
		KA 6

Date: 27-Sep-2018
*Approval does not relieve the EPC contractor of its responsibility as specified in the Contract.

2. CSD terminal number

- Note:**
- 1.CSD Device shall be mounted in CRP.
 - 2.CSD Bypass circuit components shall be mounted & wired up in CRP.
 - 3.Wiring between CSD & Circuit breaker is in scope of BHEL Ltd.



PCS-9830 Switching Controller

B01	B02	B03/4	B05	B06	B07	B08	B09
NR4106MA	NR4138A	NR4412	NR4524A	NR4524A	NR4501	NR4410C	NR4304

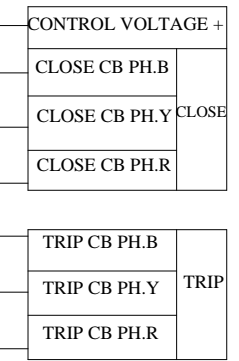
0901	SIG_COM	
0902	BO_Fail_	
0903	BO_Alarm_Abn	
0904		
0905		
0906		
0907		
0908		
0909		
0910		
0911		
0912		
0913		
0914		
0915		
0916		
0917		
0918		
0919		
0920	POWER SUPPLY DC220+	
0921	POWER SUPPLY DC220-	
0922	GND	

POWER SUPPLY

0801	ENVIRONMENT TEMPERATURE +
0802	ENVIRONMENT TEMPERATURE -
0803	
0804	
0805	
0806	
0807	
0808	
0809	
0810	
0811	
0812	
0813	
0814	
0815	
0816	
0817	
0818	
0819	
0820	
0821	
0822	

SIEYUAN SCOPE

		0501
		0502
		0503
		0504
		0505
		0506
		0507
		0508
		0509
		0510
CLOSE CB PH.B		0511
		0512
CLOSE CB PH.Y		0513
		0514
CLOSE CB PH.R		0515
		0516
TRIP CB PH.B		0517
		0518
TRIP CB PH.Y		0519
		0520
TRIP CB PH.R		0521
		0522



	COMMON (-)	0722
	CLOSE COMMAND	0701
	OPEN COMMAND	0702
CONTROLLED	CB B-PH CLOSE POSITION	0703
	CB B-PH OPEN POSITION	0704
	CB Y-PH CLOSE POSITION	0705
I BUSBAR	CB Y-PH OPEN POSITION	0706
	CB R-PH CLOSE POSITION	0707
	CB R-PH OPEN POSITION	0708
II BUSBAR	CB CLOSE POSITION	0709
	CB OPEN POSITION	0710
	CB CLOSE POSITION	0711
	CB OPEN POSITION	0712
		0713
		0714
		0715
		0716
		0717
		0718
		0719
		0720
		0721

KM+
KM-

Internal Rev.: A00 We reserve all rights in this document and information contained therein. Use or disclosure to third parties without express authority is strictly forbidden.

LJ Yang	YH Wang	MY Dai	2018/8/5	04
DRAWN	CHECKED	APPROVED	DATE	REV.



CSD SCHEMATIC DIAGRAM
2x660MW Maitree Super Thermal Power Project 400kV GIS

Document	=BAY 402	Total
KA	+S1	7
Maitree-00-AC-EDB-325420-TBG		Sheet
		KA 7