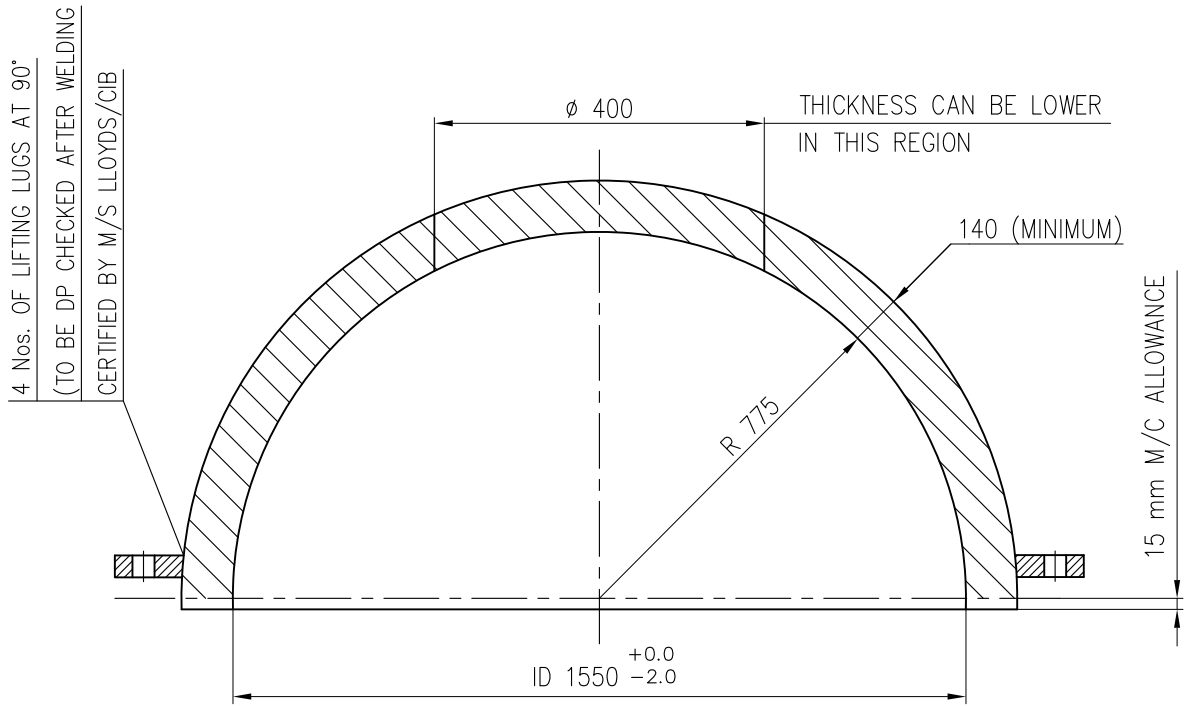


FIRST ANGLE PROJECTION

(ALL DIMENSIONS ARE IN mm)

THE INFORMATION ON THIS DOCUMENT IS THE PROPERTY OF **BHARAT HEAVY ELECTRICALS LIMITED**
 IT MUST NOT BE USED DIRECTLY OR INDIRECTLY IN ANY WAY DETRIMENTAL TO THE INTEREST OF THE COMPANY
 GEN. DIM. LIMITS, FITS, & TOLERANCES AS PER P.S. :- HY0230261
 REF. DRG. NO. _____
 FILE NAME _____
 INVENTORY NO _____

REV.	DATE	ALTD	CHD	APPD	REV.	DATE	ALTD	CHD	APPD	REV.	DATE	ALTD	CHD	APPD



NOTES: -

1. MATERIAL : SA 516 GR.70
2. TECHNICAL REQUIREMENTS AS PER PROD STD HE HE51170 REV 07.
3. QUALITY REQUIREMENTS AS PER QP No. HY/HE/009/HH REV 01.
4. INSPECTION & CERTIFICATION BY CIB IN FORM III C AND M/S LLOYD'S AS PER ASME SEC. VIII DIV I (NO CIB IF IMPORTED)
5. MAX. WORKING PRESSURE (DESIGN PRESSURE) : 360 Kg/Sq.Cm.(g)
6. MAX. WORKING TEMPERATURE (DESIGN TEMPERATURE) : 310° C
7. CODE No. FOR HEMIHEAD : HE9713114086 , WEIGHT = 5895 Kg.
8. CODE No. FOR TEST COUPON : HE9711504103 , WEIGHT = 79 Kg.
9. APPLICABLE DESIGN CODE : AS PER P.O/INDENT.

REMARKS	ITEM NO	DESCRIPTION	STD	MATL. CODE	A/C	UNIT	UNIT Wt.
				MATL. SPEN.			QTY.
		BHARAT HEAVY ELECTRICALS LTD. HYDERABAD		NAME	SIGN.	DATE	NO.OF VAR.
DEPT. HE ENGG		UNTOL. DIM. GR. \varnothing /M/F	SCALE NTS	DRN. RAJESH M	M RAJESH	09.11.11	NA
CODE 405			WEIGHT (KG) NA	CHD. A.K.SAHOO	A.K.S	09.11.11	NA
TITLE			REF. TO ASSY DRG. NA	APPD. K KIRAN KUMAR	<i>Kiran</i>	09.11.11	NO.OF ITEMS NA
HEMI HEAD				DRAWING NO. 4-175-01-02851			REV. 00
(FOR 800MW -HPHS.)			CARD CODE NA	SHT No. 1		NO OF SHT. 1	