

VARIANT NUMBER	ITEM NUMBER	DESCRIPTION	DWG NO.	MATERIAL CODE	UNIT WEIGHT	QTY	QTY
	46	PINCH WASHER M 12	41408 00012		0.201		
	45	HEX NUT M 12	41408 00012		0.201		
	44	SCRU HEX M12 X 40	41222 12040		0.650		
	43	CLAMP	4-04-116-UB879		0.468		
	42	CLAMP	4-04-116-UB878		0.463		
	41	PINCH WASHER M 16	41408 00016		0.071		
	40	HEX NUT M 16	152018A		0.231		
	39	STUD M16 X 50	15 627 240		0.797		

VARIANT NUMBER	ITEM NUMBER	DESCRIPTION	DWG NO.	MATERIAL CODE	UNIT WEIGHT	QTY	QTY
	38	FLAT BAR	3-04-116-UB878		9.484	7	
	37	FLAT BAR	3-04-116-UB877		9.484	7	
	36	FLAT BAR	3-04-116-UB876		8.394	8	
	35	FLAT BAR	3-04-116-UB875		8.508	8	
	34	FLAT BAR	3-04-116-UB874		8.208	8	
	33	FLAT BAR	3-04-116-UB873		8.208	1	
	32	FLAT BAR	3-04-116-UB872		8.308	1	
	31	FLAT BAR	3-04-116-UB871		8.884	8	
	30	BENT SHEET SH 3.15x23x1463	0-04-116-UB801		11.362	1	
	29	BENT SHEET SH 3.15x31x1370	0-04-116-UB801		10.600	1	
	28	BENT SHEET SH 3.15x31x897	0-04-116-UB801		6.564	1	
	27	BENT SHEET SH 3.15x31x1831	0-04-116-UB801		14.216	1	
	26	BENT SHEET SH 3.15x31x1462	0-04-116-UB801		11.825	1	
	25	BENT SHEET SH 3.15x27x1487	0-04-116-UB801		11.500	1	
	24	BENT SHEET SH 3.15x27x1463	0-04-116-UB801		9.880	4	
	23	BENT SHEET SH 3.15x27x1370	0-04-116-UB801		8.200	4	
	22	BENT SHEET SH 3.15x27x897	0-04-116-UB801		6.055	4	
	21	BENT SHEET SH 3.15x27x1831	0-04-116-UB801		12.260	4	
	20	BENT SHEET SH 3.15x27x1462	0-04-116-UB801		11.219	4	
	19	BENT SHEET SH 3.15x27x1487	0-04-116-UB801		10.029	4	
	18	BENT SHEET SH 3.15x23x1463	0-04-116-UB801		10.200	2	
	17	BENT SHEET SH 3.15x23x1370	0-04-116-UB801		9.500	2	
	16	BENT SHEET SH 3.15x23x897	0-04-116-UB801		8.277	2	
	15	BENT SHEET SH 3.15x23x1831	0-04-116-UB801		12.813	2	
	14	BENT SHEET SH 3.15x23x1462	0-04-116-UB801		11.630	2	
	13	BENT SHEET SH 3.15x23x1487	0-04-116-UB801		10.462	2	
	12	DUCT PLATE ASSEMBLY	3-04-116-UB801		34.180	1	
	11	DUCT PLATE ASSEMBLY	3-04-116-UB810		41.687	1	
	10	DUCT PLATE ASSEMBLY	3-04-116-UB808		44.799	1	
	09	DUCT PLATE ASSEMBLY	3-04-116-UB807		21.000	1	
	08	DUCT PLATE ASSEMBLY	3-04-116-UB806		32.080	1	
	07	DUCT PLATE ASSEMBLY	3-04-116-UB805		33.780	1	
	06	DUCT PLATE ASSEMBLY	3-04-116-UB804		33.780	1	
	05	DUCT PLATE ASSEMBLY	3-04-116-UB803		32.080	1	
	04	DUCT PLATE ASSEMBLY	3-04-116-UB802		18.400	1	
	03	DUCT PLATE ASSEMBLY	3-04-116-UB801		42.203	1	
	02	DUCT PLATE ASSEMBLY	3-04-116-UB800		41.687	1	
	01	DUCT PLATE ASSEMBLY	3-04-116-UB819		34.180	1	

SECTION-BB

NOTES:

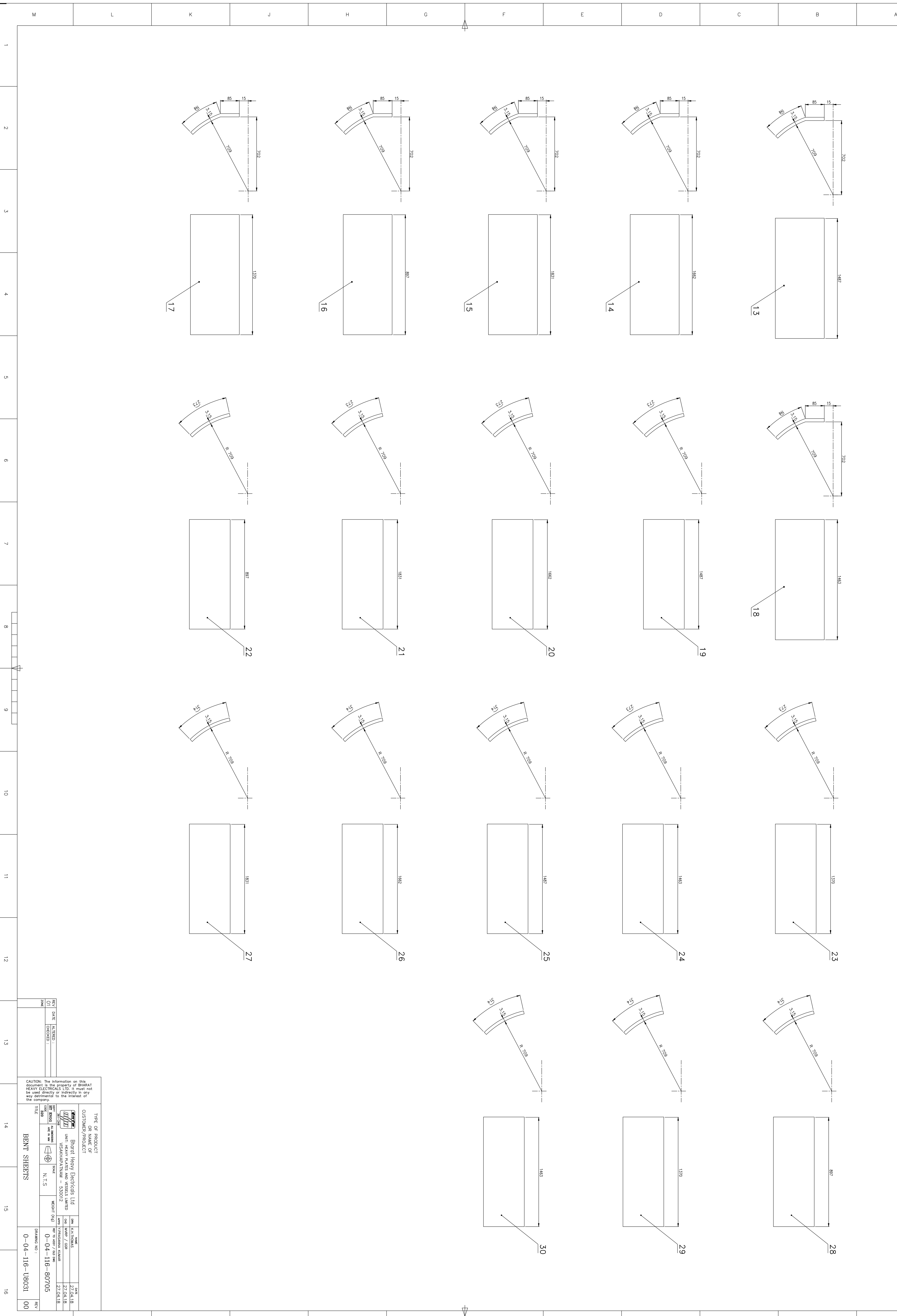
- 01. USE TWO NOS. OF WASHERS PER JOINT ONE AT BACK OF NUT AND ANOTHER IN FRONT OF SCREW HEAD FOR ALL SCREWED CONNECTIONS.
- 02. ALL SCREWED CONNECTIONS ARE TO BE DONE TIGHTLY.
- 03. ITEM NO. 39 IS TO BE LOCATED WITH 100 mm PITCHES (APPROX) LEAVING 40 mm AT THE EDGES OF DUCT SHEET ASSY OR CURVED SHEETS.
- 04. NECESSARY MATCH DRILLS ARE TO BE CARRIED OUT DURING ASSY.

TYPE OF PRODUCT  
SEPARATING CHAMBER

DATE: 22/04/18  
DRAWING NO.: 0-04-116-80704

REVISIONS:

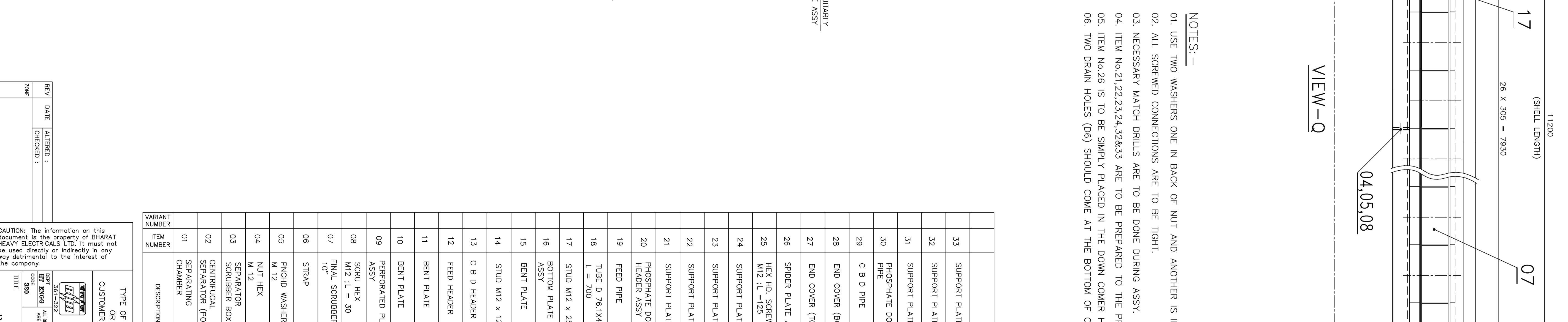
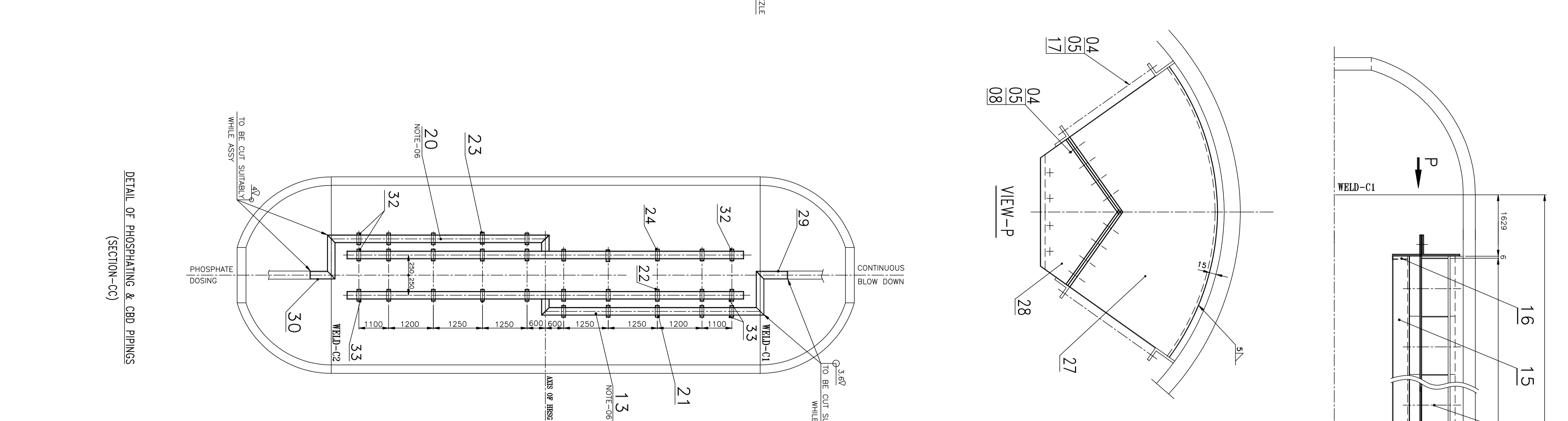
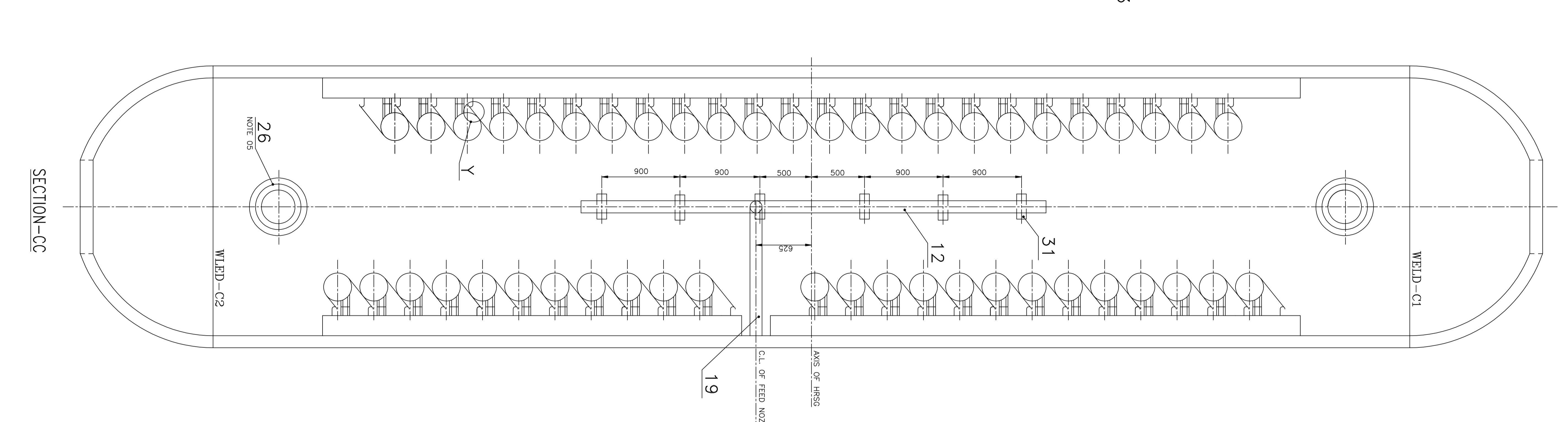
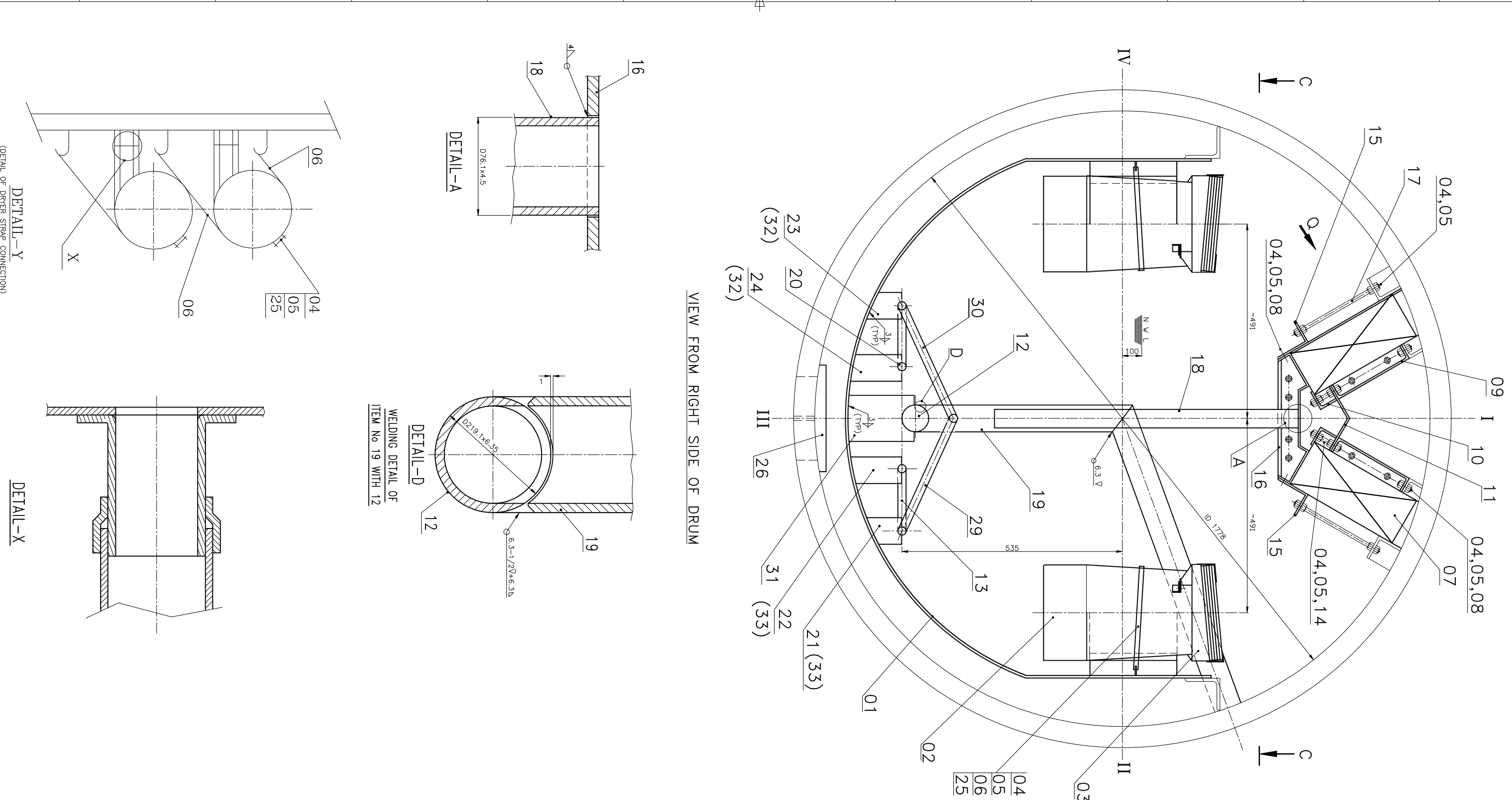
NO.	DESCRIPTION	DATE
1	ISSUED FOR MANUFACTURE	22/04/18



TYPE OF PRODUCT		CUSTOMER/PROJECT	
Bent Heavy Electricals Ltd		N.T.S	
22/04/18		22/04/18	
22/04/18		22/04/18	
0-04-116-80705		0-04-116-80705	
0-04-116-U8031		00	

CAUTION: The information on this document is the property of BIRSAT HEAVY ELECTRICALS LTD. It must not be used directly or indirectly in any way detrimental to the interest of any company.

REV	DATE	ALTERED	CHECKED
01			

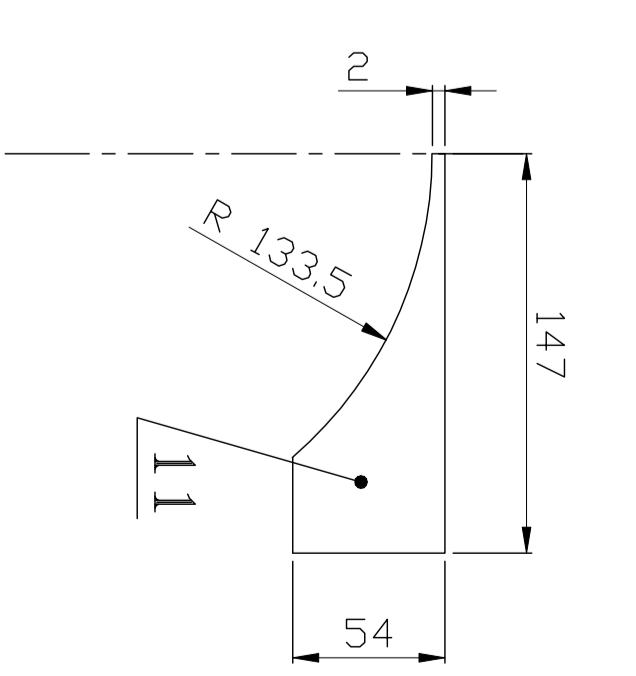
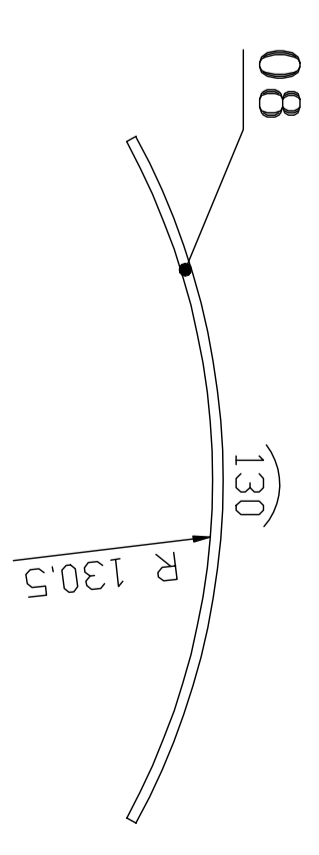
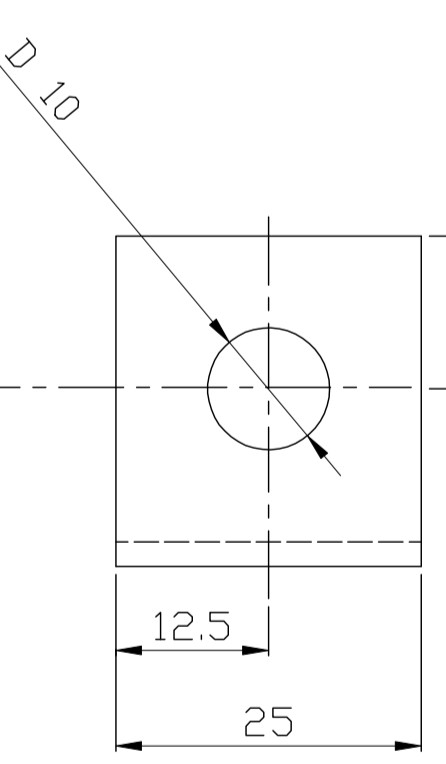
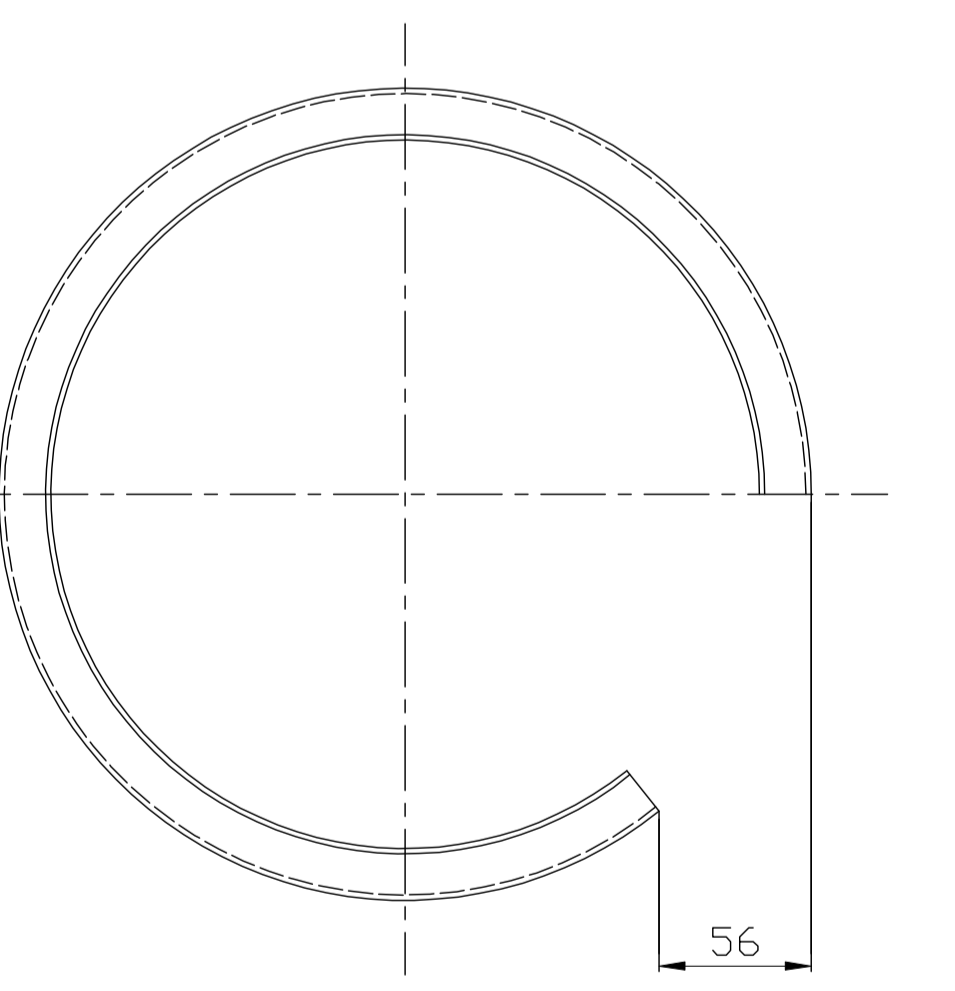
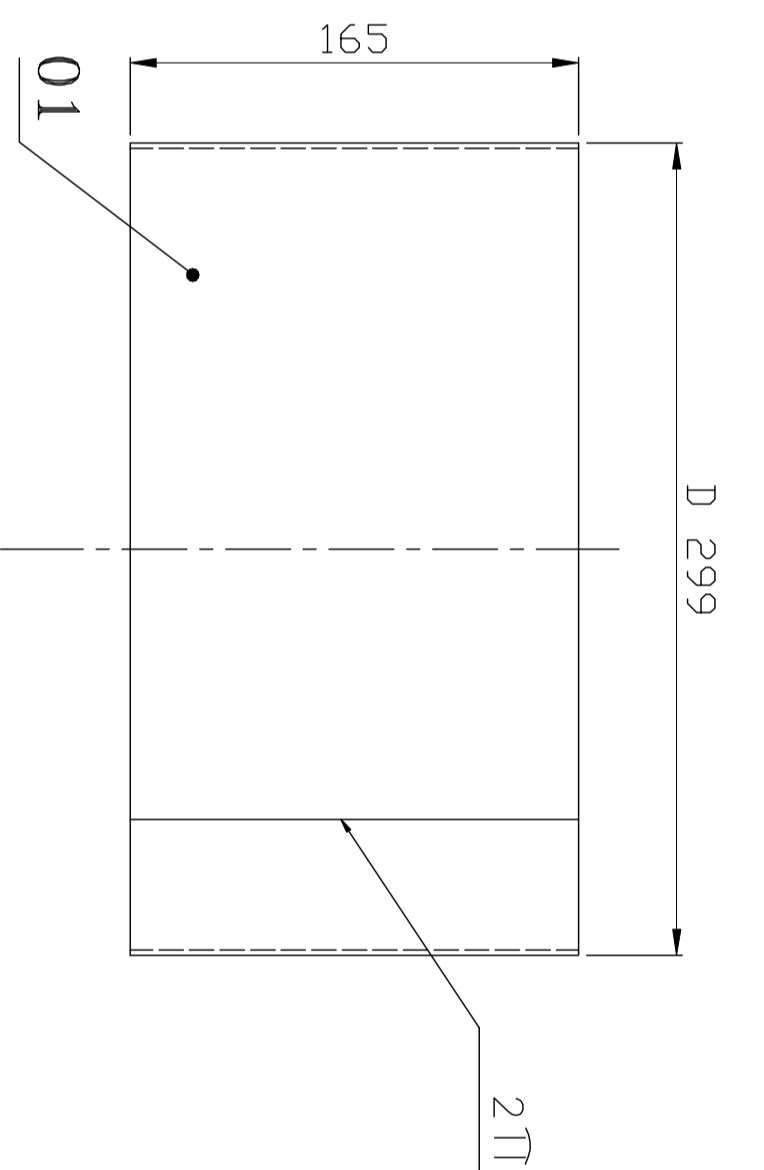
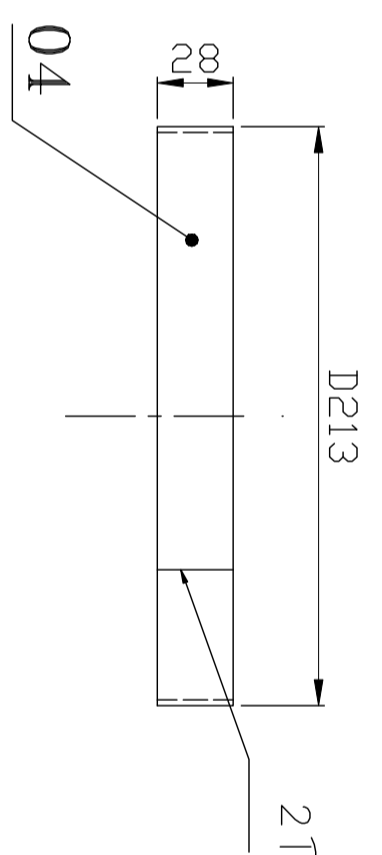
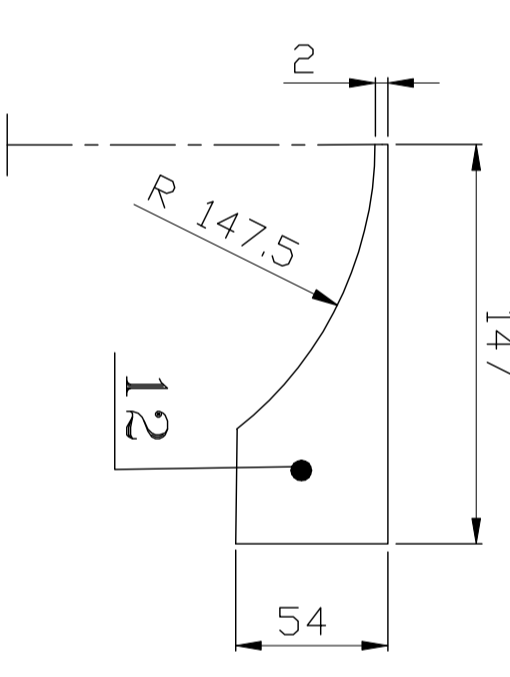
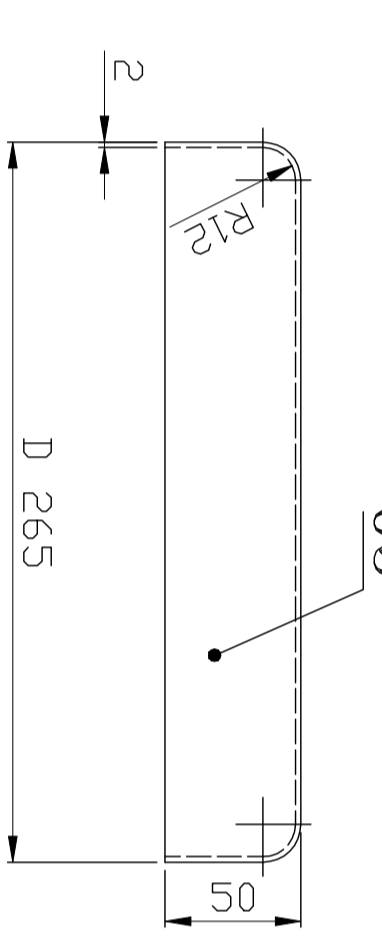
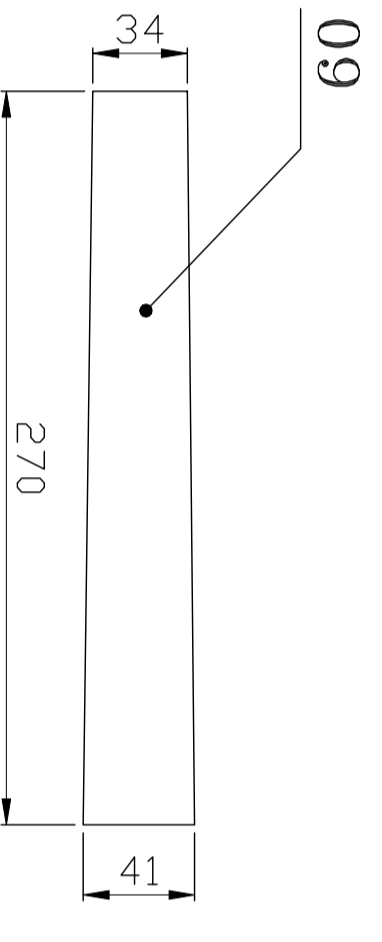
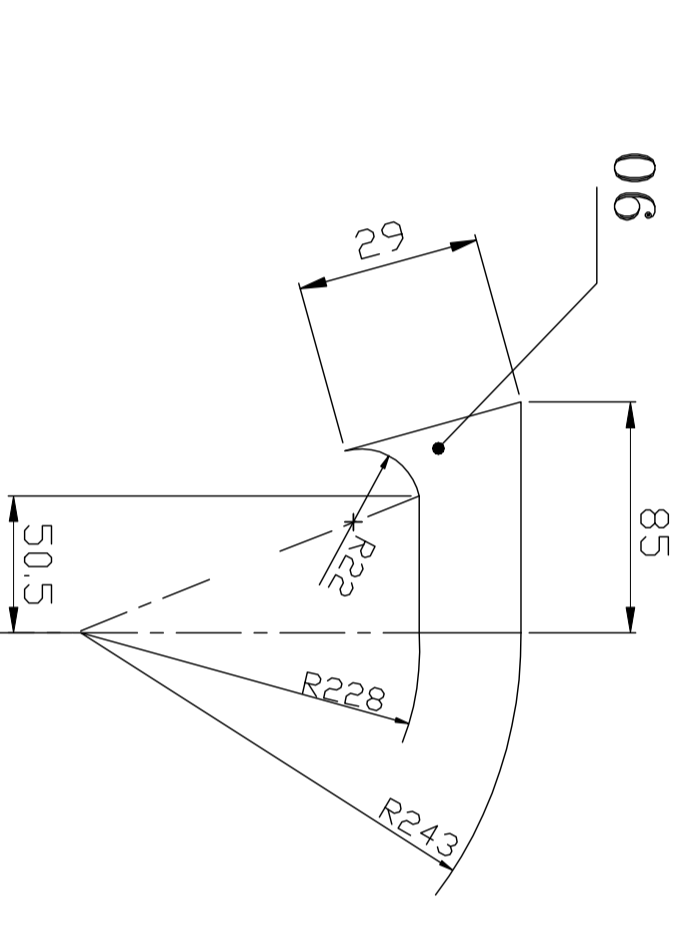
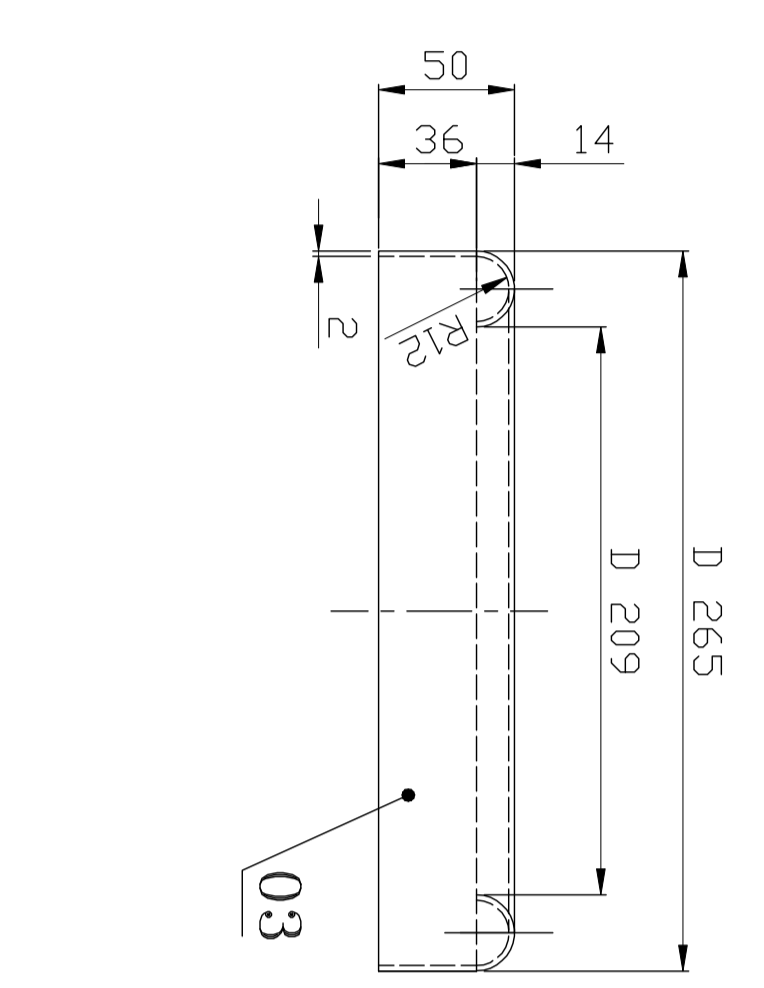
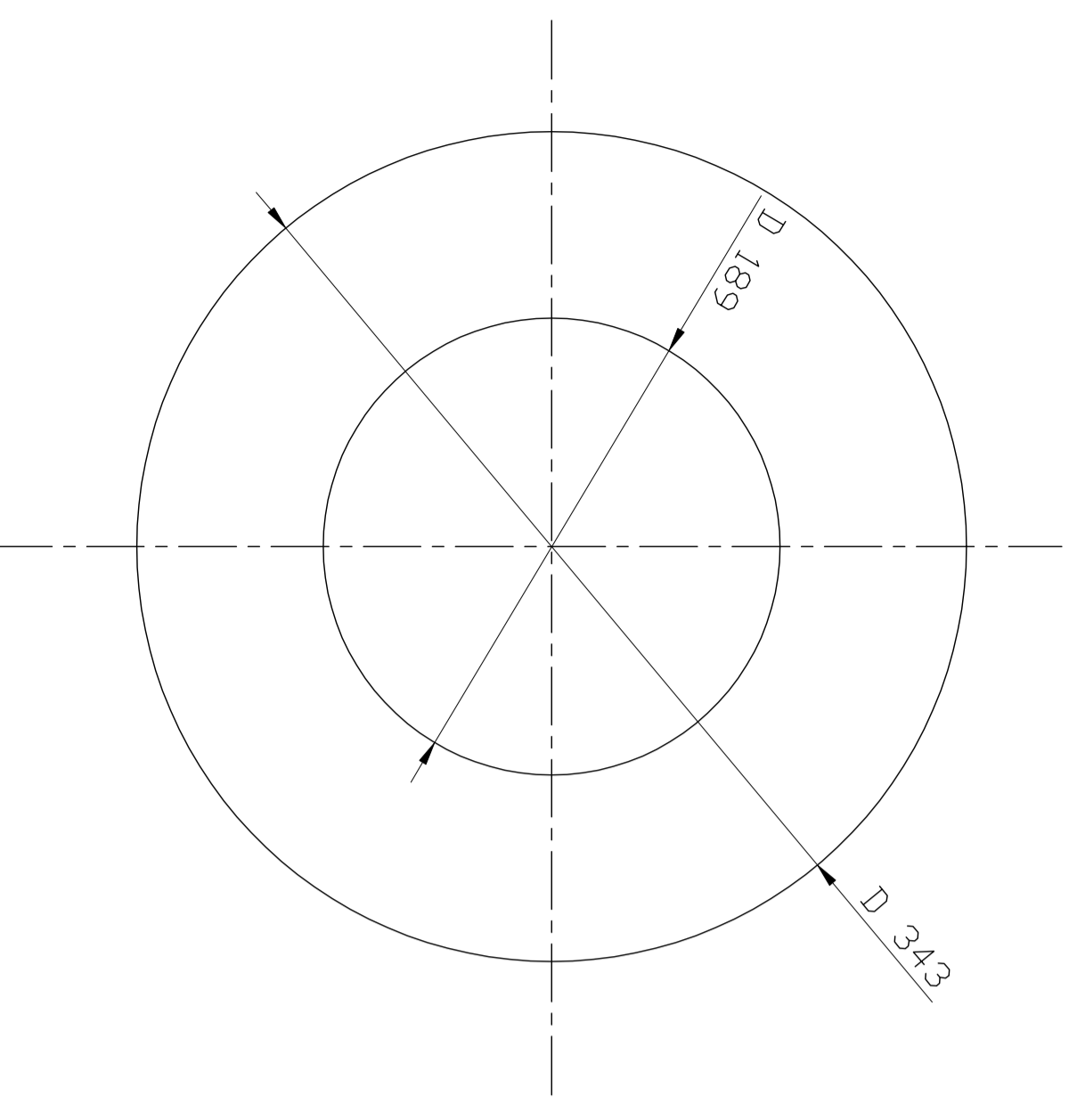
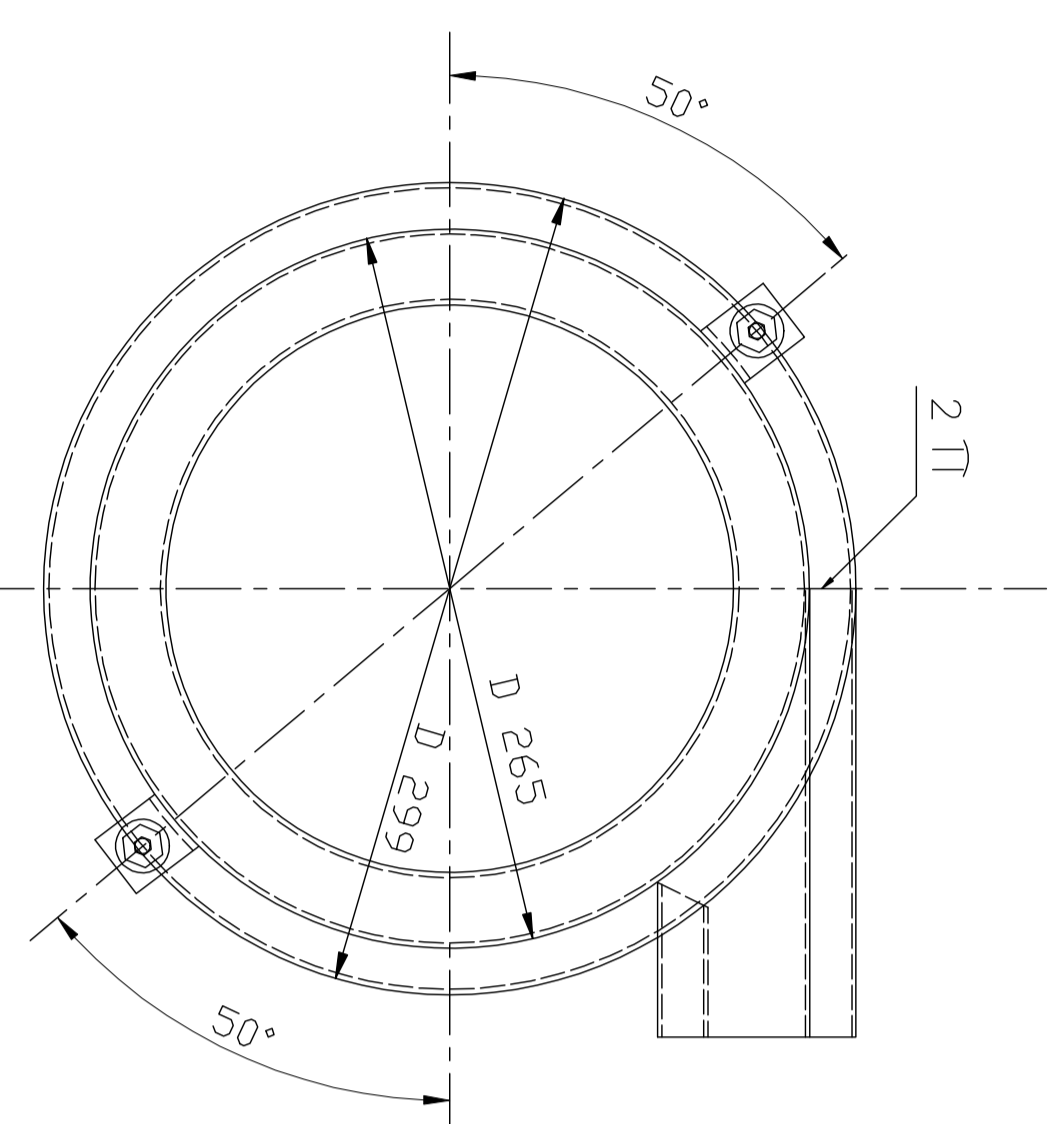
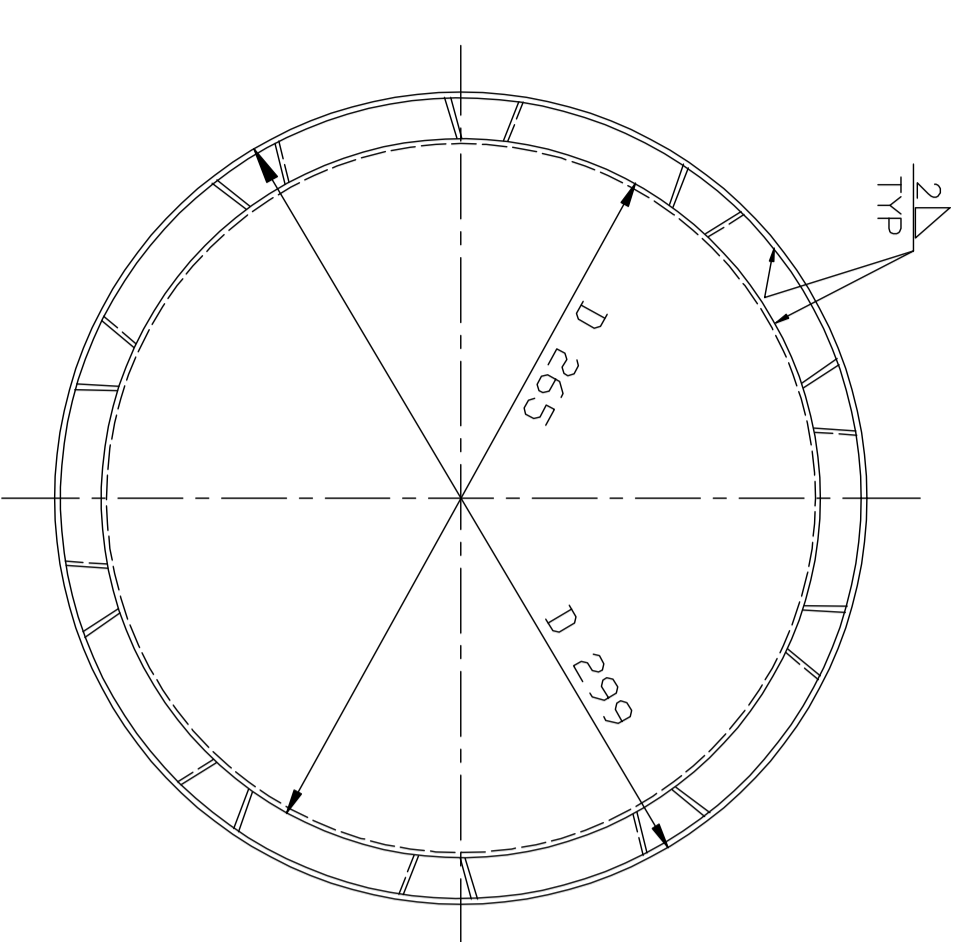
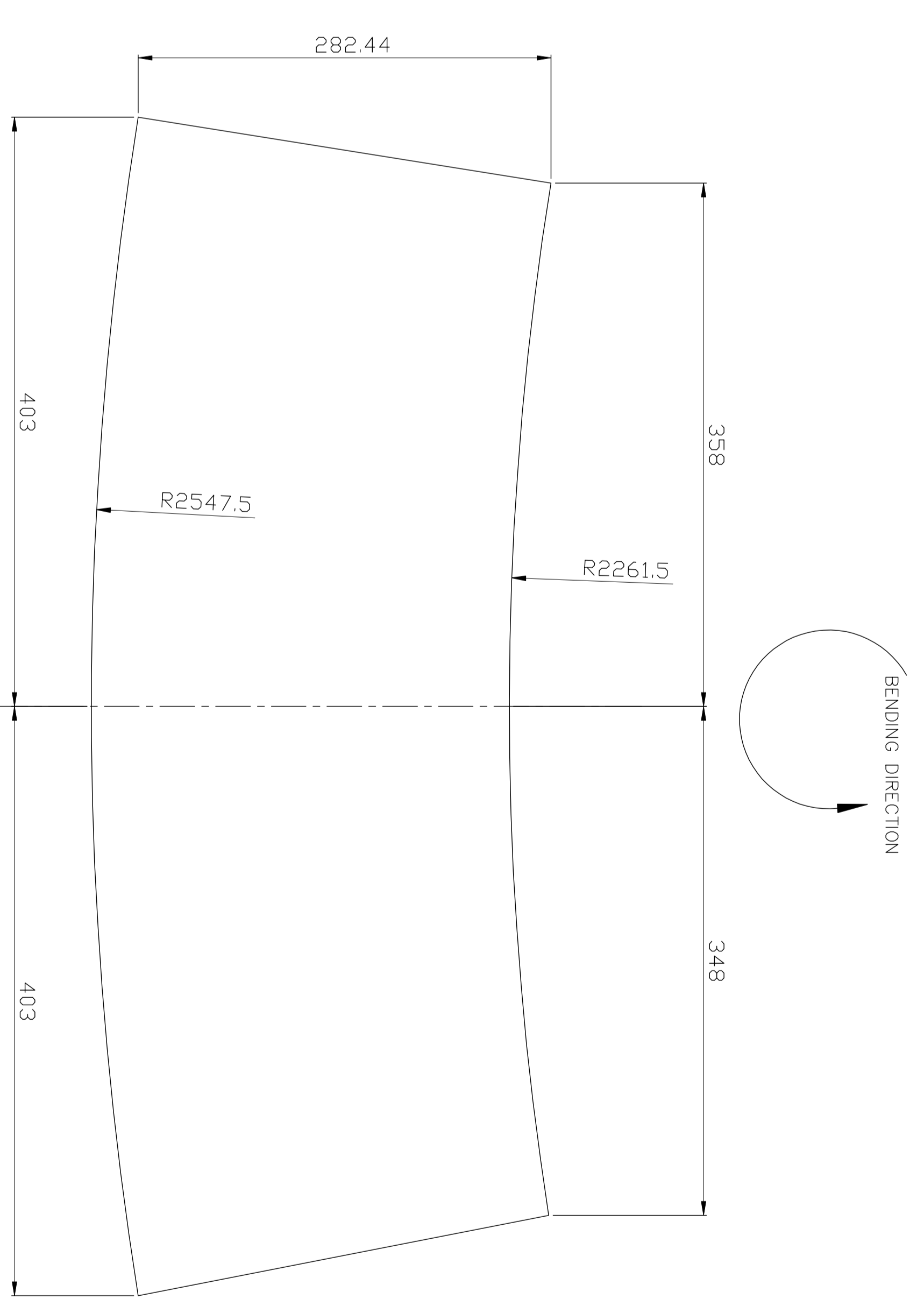
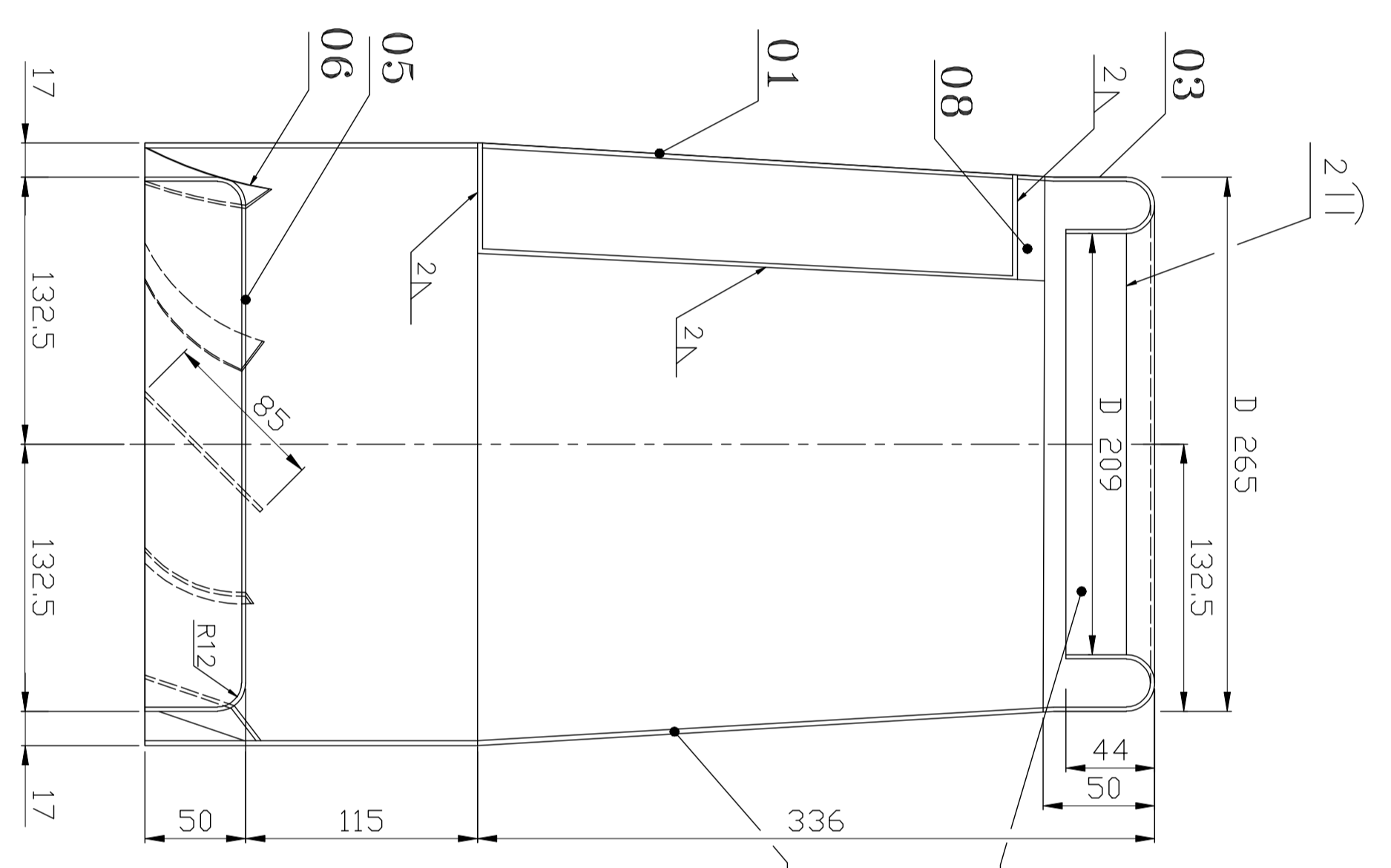
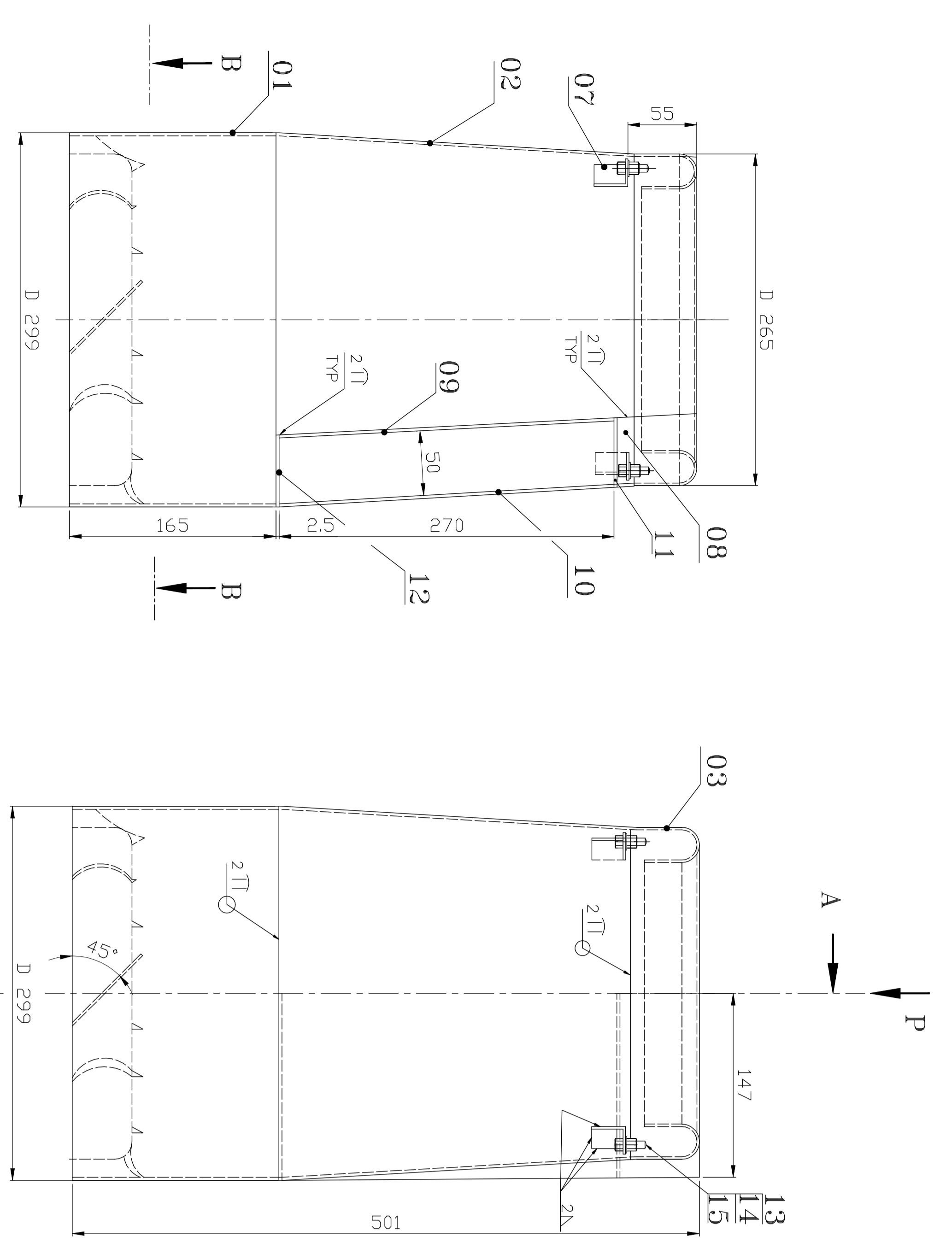


ITEM NUMBER	DESCRIPTION	DRAWING NUMBER	QTY	UNIT	WEIGHT	QTY	WEIGHT
01	SEPARATING CHAMBER	0-04-116-08030	1	CHAMBER	1638.641	1	1638.641
02	SEPARATING CHAMBER ASSY	0-04-116-08035	1	ASSY	11.09	1	11.09
03	SEPARATING CHAMBER ASSY	2-04-116-08078	1	ASSY	121.08	1	121.08
04	NUT HEX	IS 2016A	1800	NUT	0.020	1800	36.00
05	WASHER	IS 2016A	1800	WASHER	0.010	1800	18.00
06	STRAP	3-04-116-08189	96	STRAP	0.300	96	28.80
07	FINAL SCRUBBER ASSY	2-04-116-08079	1	ASSY	10.048	1	10.048
08	SPRING	IS 1363 P2 CL.4.6	400	SPRING	0.020	400	8.00
09	PERFORATED PLATE	3-04-116-08179	2	PLATE	67.544	2	135.088
10	BENT PLATE	3-04-116-08181	1	PLATE	41.800	1	41.800
11	BENT PLATE	3-04-116-08182	1	PLATE	15.071	1	15.071
12	FEED HEADER	3-04-116-08183	1	HEADER	64.000	1	64.000
13	C B D HEADER ASSY	2-04-116-08069	1	ASSY	63.800	1	63.800
14	STUD W/2 x 120.6	4-04-116-08164	2	STUD	15.024	2	30.048
15	BENT PLATE	3-04-116-08184	2	PLATE	58.120	2	116.240
16	BOTTOM PLATE	3-04-116-08185	2	PLATE	79.000	2	158.000
17	STUD W/2 x 250 Lg	4-04-116-08177	6	STUD	0.350	6	2.100
18	TUBE D 76.1X4.5	SA 106 GR 8	6	TUBE	5.561	6	33.366
19	FEED PIPE	4-04-116-08169	1	PIPE	20.300	1	20.300
20	PHOSPHATE DOSING HEADER ASSY	2-04-116-08070	1	ASSY	43.280	1	43.280
21	SUPPORT PLATE	4-04-116-08170	2	PLATE	0.590	2	1.180
22	SUPPORT PLATE	4-04-116-08171	8	PLATE	0.750	8	6.000
23	SUPPORT PLATE	4-04-116-08172	4	PLATE	0.590	4	2.360
24	SUPPORT PLATE	4-04-116-08173	2	PLATE	11.480	2	22.960
25	HEX HD SCREW	IS 2062 FE410A	8	SCREW	0.250	8	2.000
26	SPIDER PLATE ASSY	2-04-116-08071	2	ASSY	5.200	2	10.400
27	END COVER (TOP)	3-04-116-08190	2	COVER	11.480	2	22.960
28	END COVER (BOTTOM)	3-04-116-08191	2	COVER	5.200	2	10.400
29	C B D PIPE	3-04-116-08187	1	PIPE	4.999	1	4.999
30	PHOSPHATE DOSING PIPE	3-04-116-08188	1	PIPE	3.359	1	3.359
31	SUPPORT PLATE	4-04-116-08174	3	PLATE	3.000	3	9.000
32	SUPPORT PLATE	4-04-116-08175	3	PLATE	1.000	3	3.000
33	SUPPORT PLATE	4-04-116-08176	3	PLATE	11.000	3	33.000

- NOTES:-
- USE TWO WASHERS ONE IN BACK OF NUT AND ANOTHER IS IN FRONT OF SCREW HEAD FOR ALL SCREWED CONNECTIONS.
  - ALL SCREWED CONNECTIONS ARE TO BE TIGHT.
  - NECESSARY MATCH DRILLS ARE TO BE DONE DURING ASSY.
  - ITEM NO.21,22,23,24,32&33 ARE TO BE PREPARED TO THE PROFILE OF THE SEPARATING CHAMBER/DRUM SURFACE.
  - ITEM NO.28 IS TO BE SIMPLY PLACED IN THE DOWN CORNER HOLE. DO NOT WELD.
  - TWO DRAIN HOLES (06) SHOULD COME AT THE BOTTOM OF CPD AND PHOSPHATE DOSING PIPINGS DURING ASSY.

THE INFORMATION ON THIS DOCUMENT IS THE PROPERTY OF BHARAT HEAVY ELECTRICALS LIMITED. IT MUST NOT BE USED DIRECTLY OR INDIRECTLY IN ANY WAY DETRIMENTAL TO THE INTEREST OF THE COMPANY

GENERAL DIMENSIONAL LIMITS, FITS & TOLERANCES AS PER HY0230261



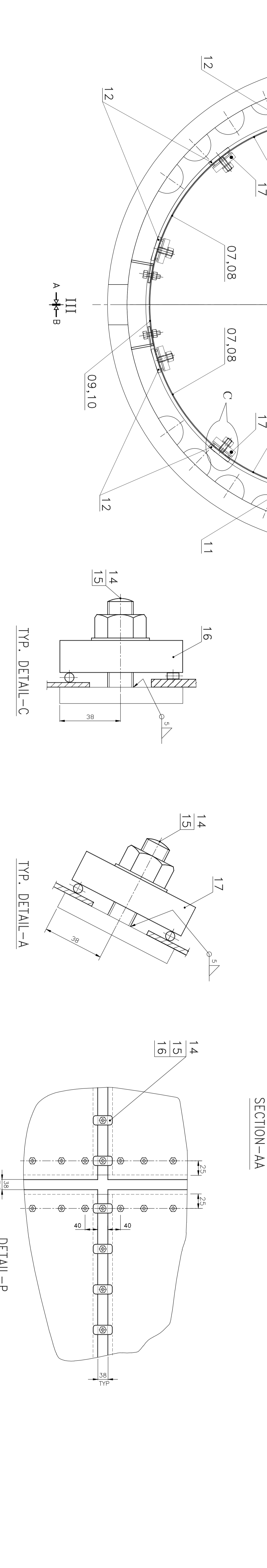
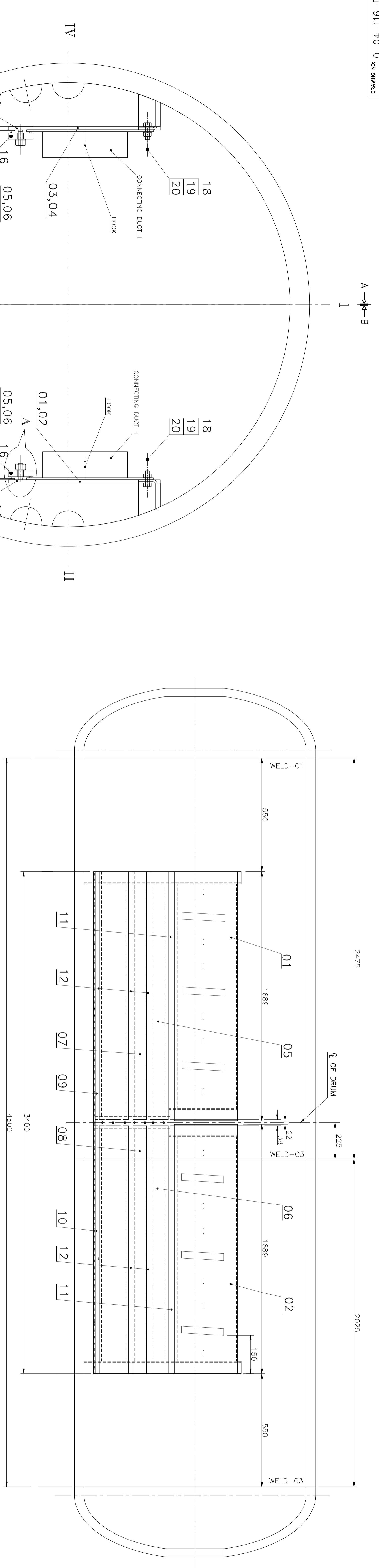
VARIANT NUMBER	ITEM NUMBER	DESCRIPTION	DRAWING NUMBER	ITEM NO.	MATL. CODE	QTY.
15	A6	WASHER PHOHD	41408 00008	IS 2016A	0.002	4
14	A8	NUT HEX GR C	41394 00008	IS 1363 P3 CL 4	0.005	2
13	A9	SCREW HEX GR C	4122208025	IS 1363 P2 CL 4.6	0.014	2
12	A10	DRIVER INLET BOTTOM	15 011 190	IS 011 190	0.100	1
11	A11	DRIVER INLET TOP	15 011 190	IS 011 190	0.100	1
10	A12	SHEET 2.5 x 54 x 147	15 011 190	IS 1079 D	0.800	1
9	A13	INLET PLATE(LEFT)	15 011 190	IS 1079 D	0.200	1
8	A14	INLET PLATE(RIGHT)	15 011 190	IS 1079 D	0.200	1
7	A15	FILTER STRIP	15 011 104	IS 1079 D	0.020	2
6	A16	CLIP	15 011 104	IS 1079 D	0.001	1
5	A17	BLADE VANE	15 1079 D	IS 1079 D	1.500	10
4	A18	BOTTOM SHEET	15 011 104	IS 1079 D	0.300	1
3	A19	TOP SHEET	15 011 104	IS 1079 D	1.000	1
2	A20	CONICAL RING	15 011 104	IS 1079 D	3.970	1
1	A21	BOTTOM RING	15 011 104	IS 1079 D	2.420	1

CAUTION THE INFORMATION ON THIS DOCUMENT IS THE PROPERTY OF BHARAT HEAVY ELECTRICALS LIMITED. IT MUST NOT BE USED DIRECTLY OR INDIRECTLY IN ANY WAY DETRIMENTAL TO THE INTEREST OF THE COMPANY.

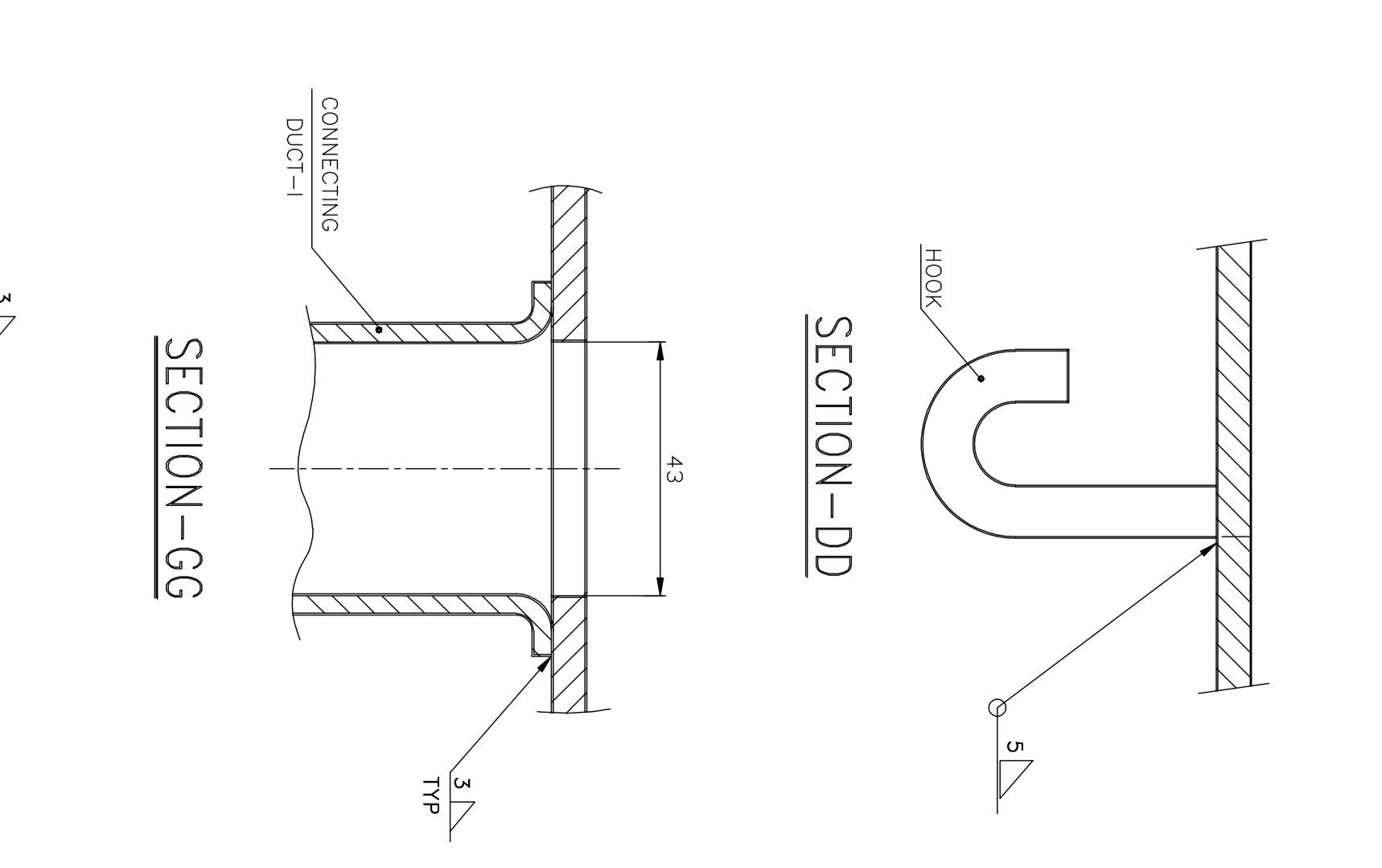
TYPE OF PRODUCT: CENTRIFUGAL SEPARATOR (POT)

BRAND OR PROJECT CODE: 004-116-U8035

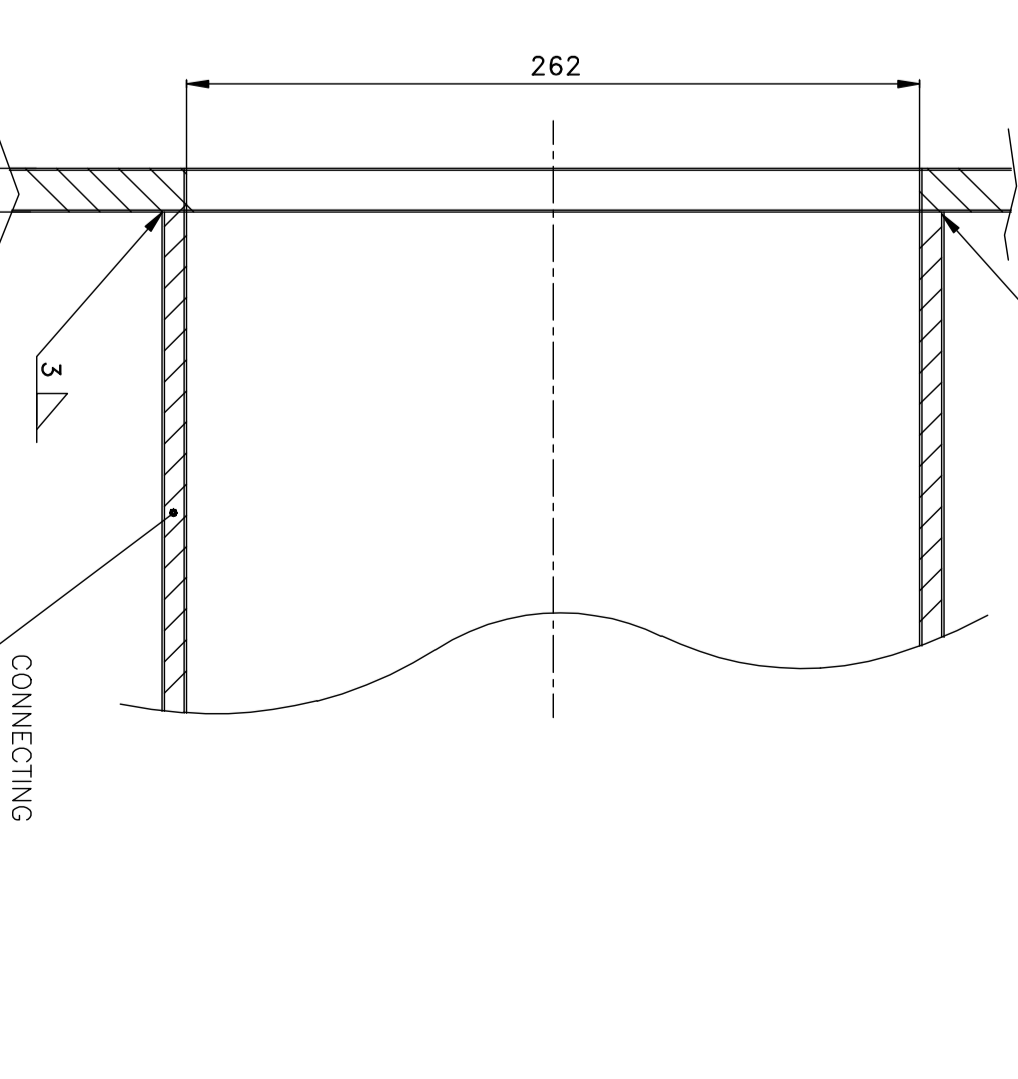
DATE:	11/06/2018
DESIGNER:	SHYAM SANKAR
CHECKER:	SHYAM SANKAR
APPROVER:	SHYAM SANKAR
SCALE:	1:1
TITLE:	CENTRIFUGAL SEPARATOR (POT)



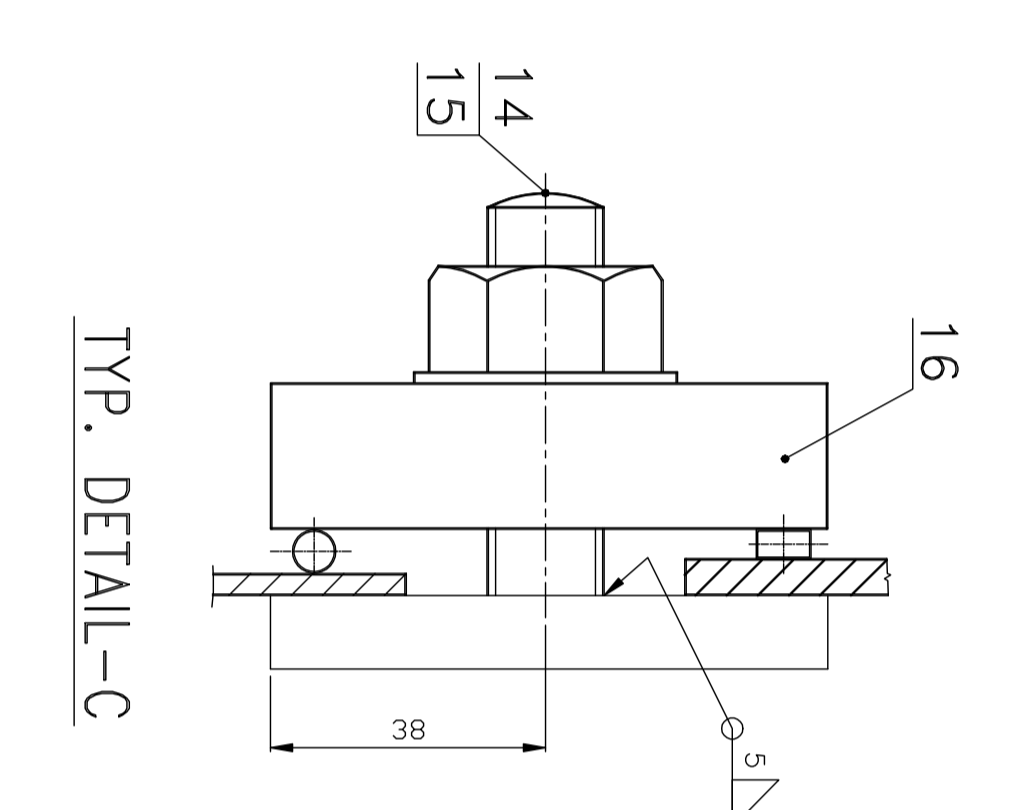
VIEW FROM RIGHT SIDE OF DRUM



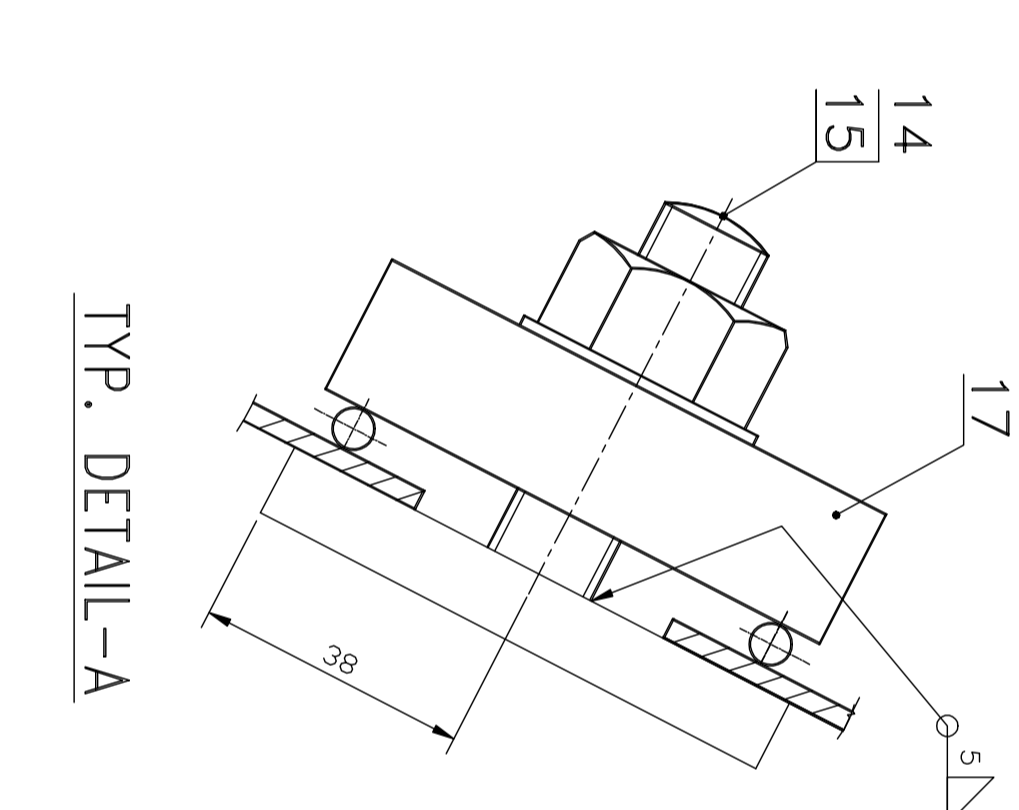
SECTION-DD



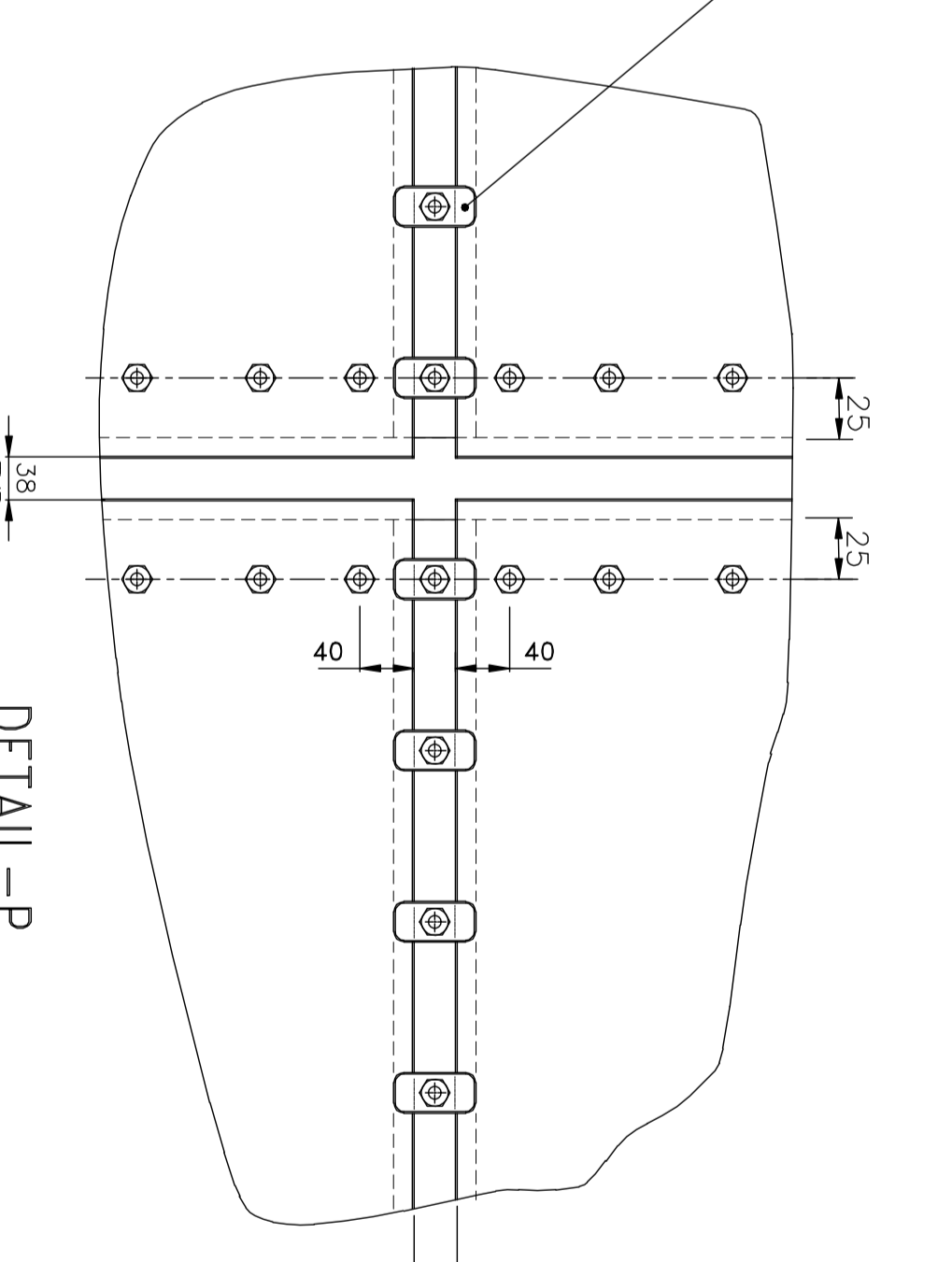
SECTION-DD



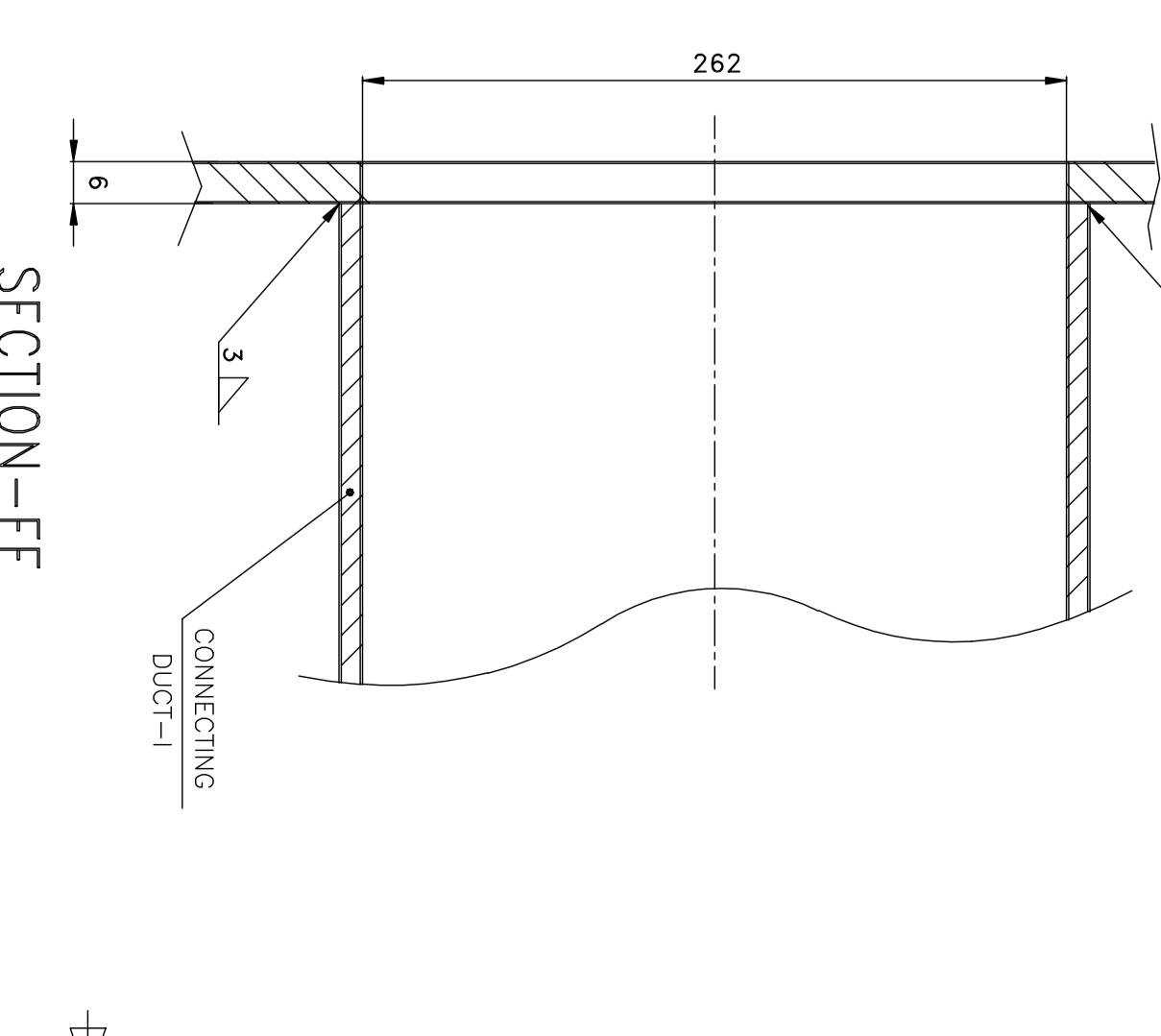
TYP. DETAIL-A



TYP. DETAIL-B



DETAIL-P



SECTION-EE

NOTES:

01. USE TWO NOS. OF WASHERS PER JOINT ONE AT BACK OF NUT AND ANOTHER IN FRONT OF SCREW HEAD FOR ALL SCREWED CONNECTIONS.
02. ALL SCREWED CONNECTIONS ARE TO BE DONE TOGHTLY.
03. ITEM NO. 13 IS TO BE LOCATED WITH 100 mm PITCHES (APPROX) LEAVING 40 mm AT THE EDGES OF DUCT SHEET ASSY OR CURVED SHEETS.
04. NECESSARY MATCH DRILLS ARE TO BE CARRIED OUT DURING ASSY.

ITEM NO.	DESCRIPTION	DRAWING NUMBER	REV. NO.	MATERIAL CODE	UNIT WEIGHT	QUANTITY	REMARKS
20	PINCH WASHER M 12			41408 00012	0.010		
19	HEX. NUT M 12			IS 2016A	0.026		
18	SCREW HEX M12 X 40			IS 1263 B3.0147	0.250		
17	CLAMP	4-04-116-UB281		41408 00016	0.469		
16	CLAMP	4-04-116-UB280		WELDMENT	0.467		
15	PINCH WASHER M 16			41408 00016	0.010		
14	HEX. NUT M 16			IS 2016A	0.026		
13	STUD NUT 6 X 50			41222 12040	0.250		
12	FLAT BAR	3-04-116-UB285		SM-105	10.025		
11	FLAT BAR	3-04-116-UB281		WELDMENT	9.896		
10	BENT SHEET	2-04-116-UB105		WELDMENT	12.883		
09	BENT SHEET	2-04-116-UB105		IS 1079 D	12.883		
08	BENT SHEET	2-04-116-UB105		IS 1079 D	12.883		
07	BENT SHEET	2-04-116-UB105		IS 1079 D	12.883		
06	BENT SHEET	2-04-116-UB105		IS 1079 D	9.817		
05	BENT SHEET	2-04-116-UB105		IS 1079 D	9.817		
04	DUCT PLATE ASSEMBLY	3-04-116-UB284		WELDMENT	37.795		
03	DUCT PLATE ASSEMBLY	3-04-116-UB283		WELDMENT	37.795		
02	DUCT PLATE ASSEMBLY	3-04-116-UB282		WELDMENT	37.896		
01	DUCT PLATE ASSEMBLY	3-04-116-UB280		WELDMENT	37.896		

SECTION-BB

REV.	DATE	ALTERED BY	CHECKED BY
01			

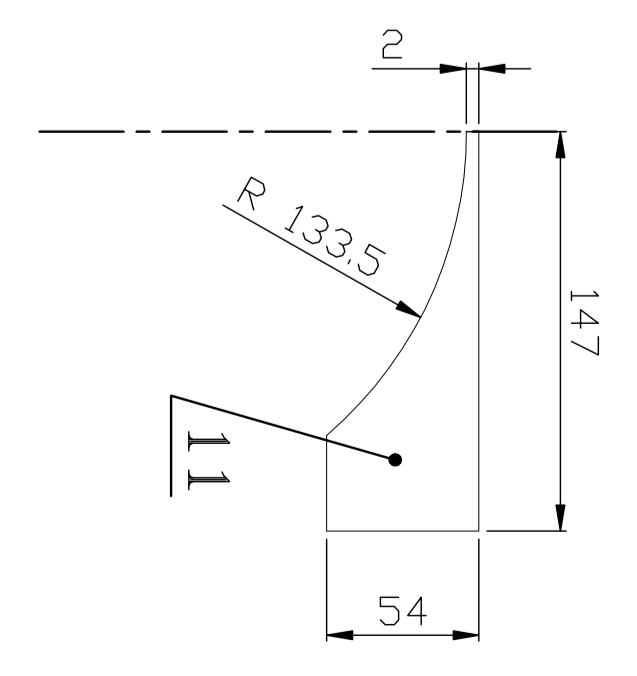
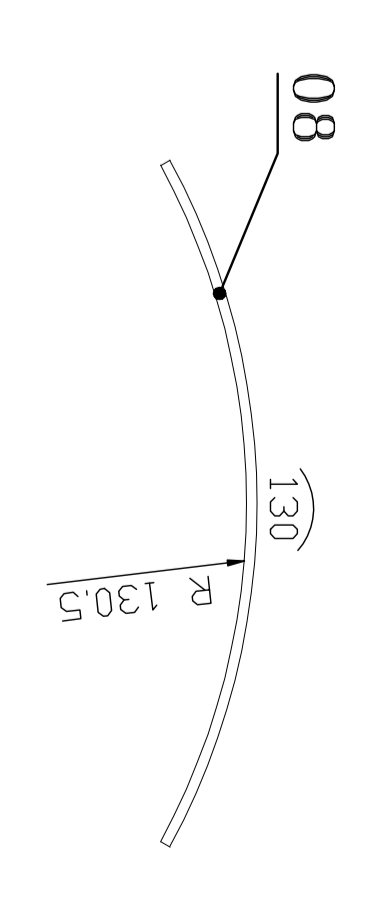
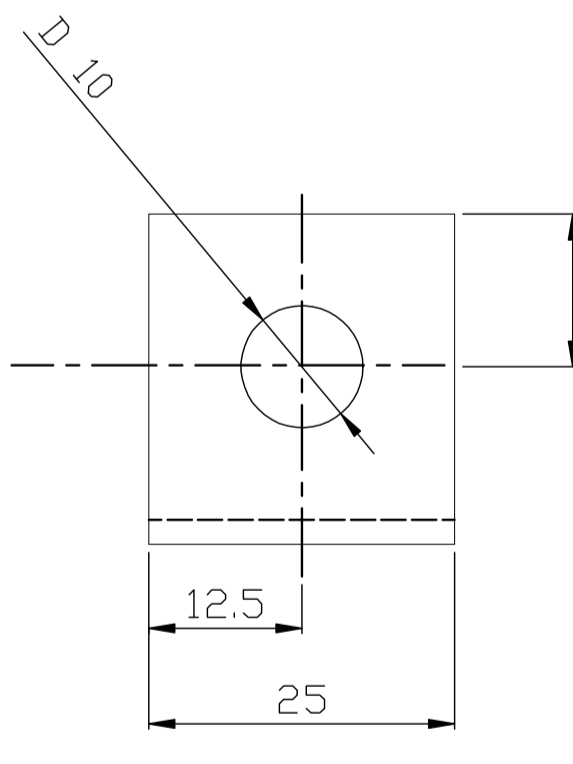
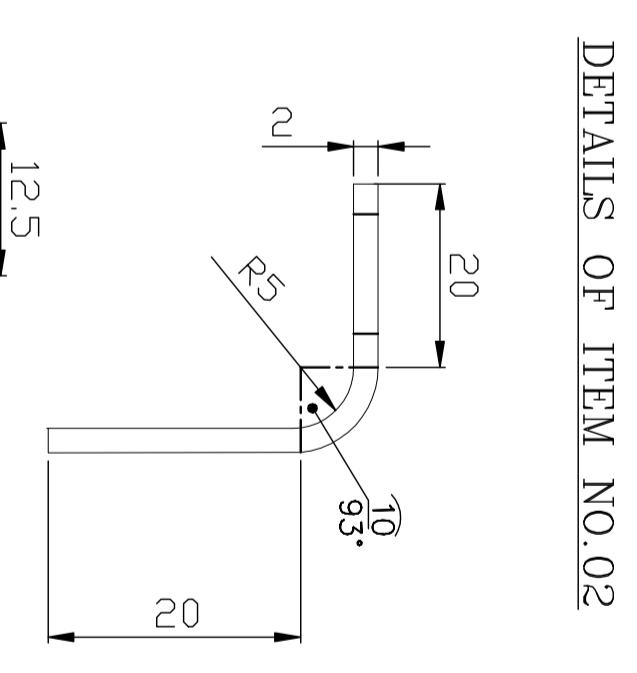
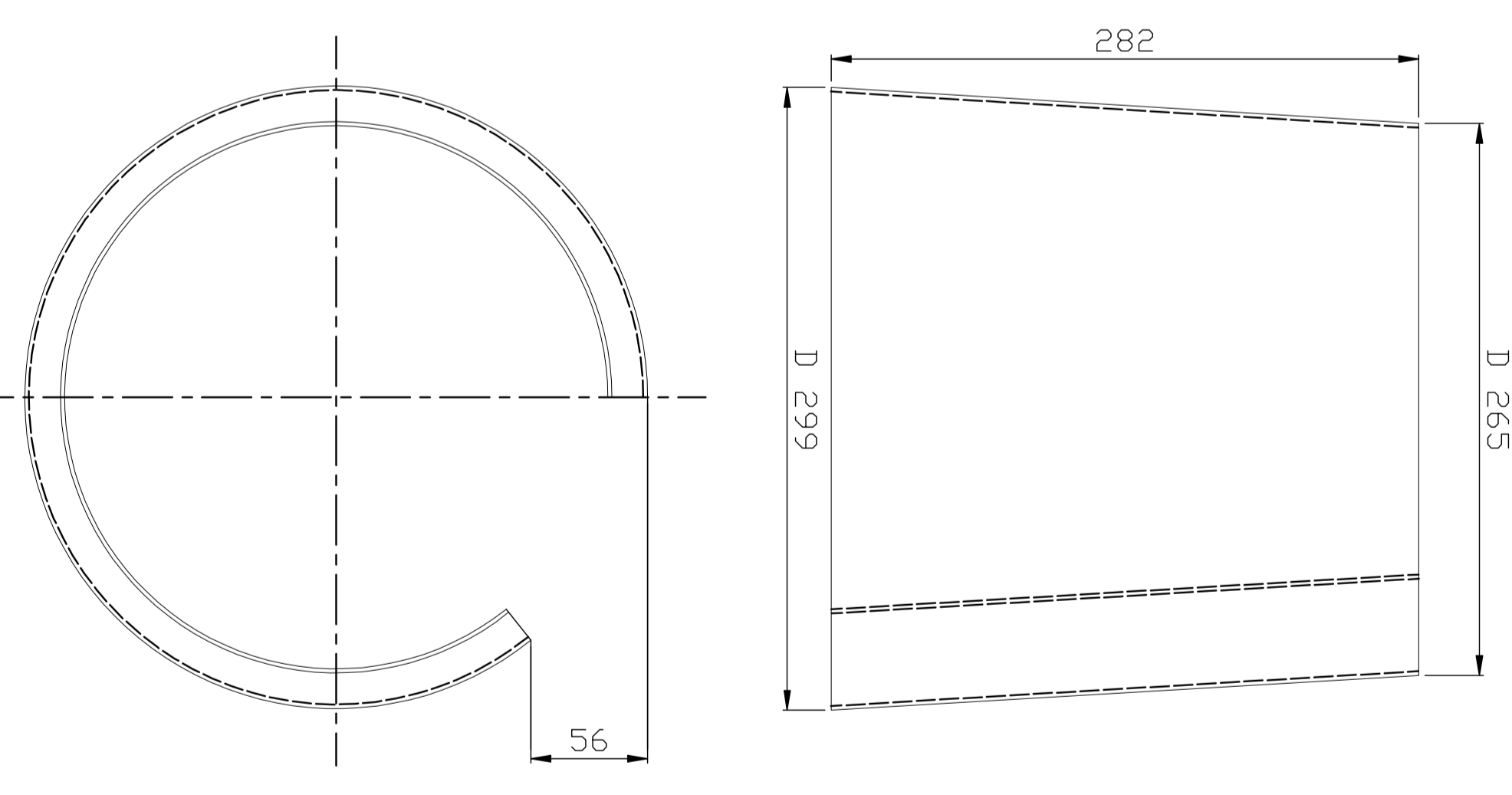
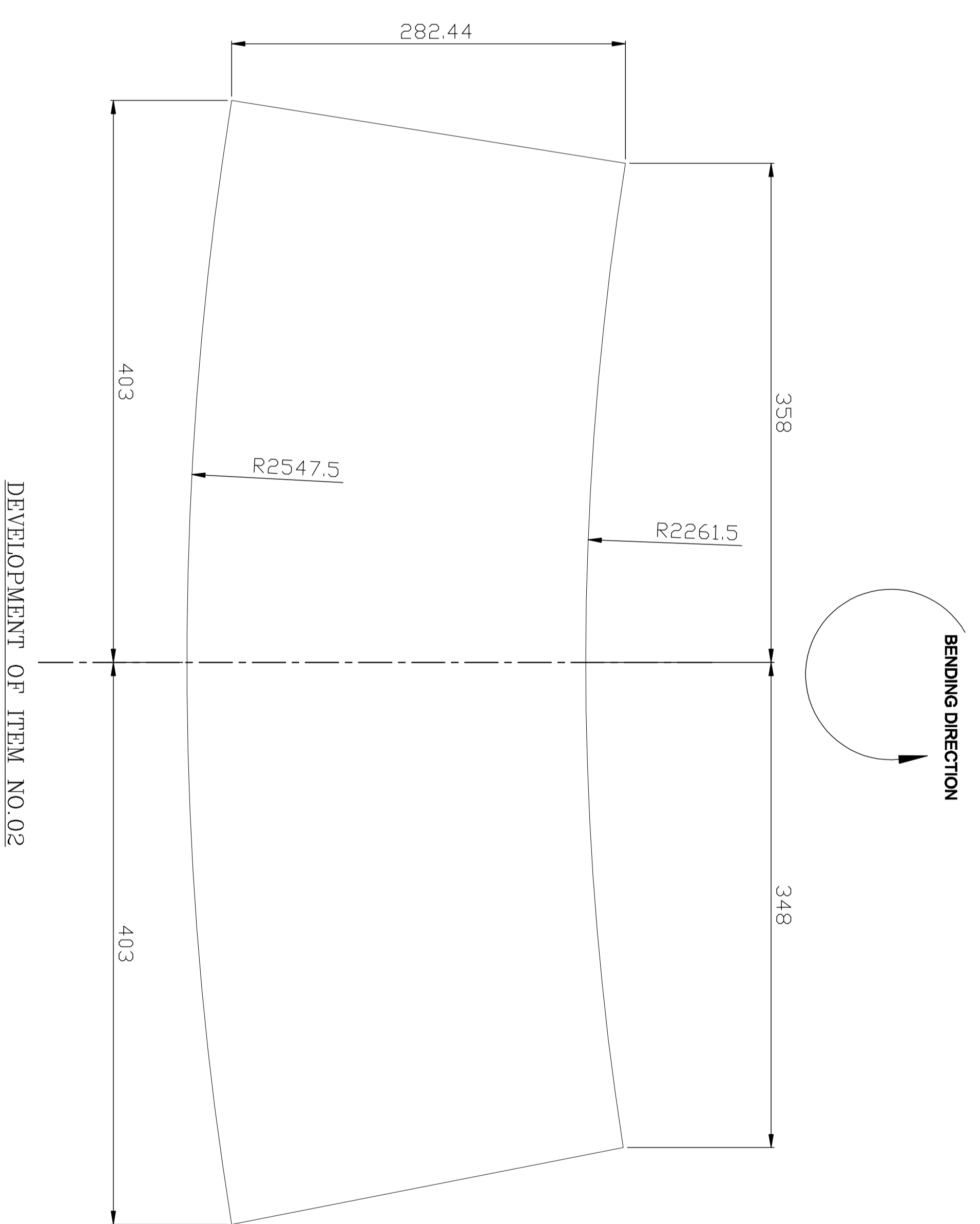
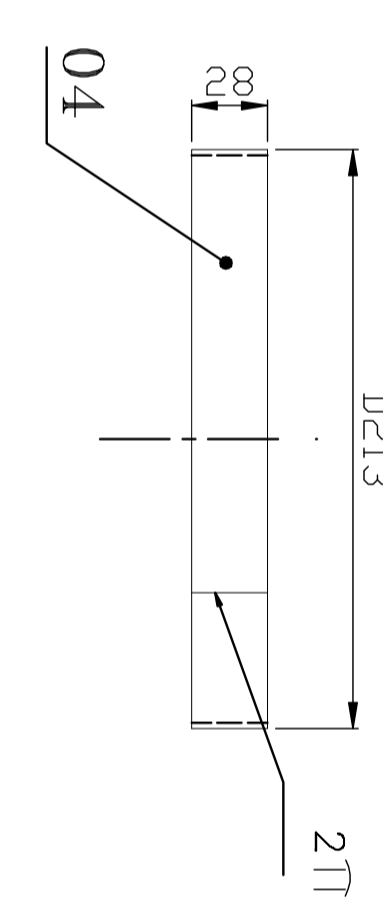
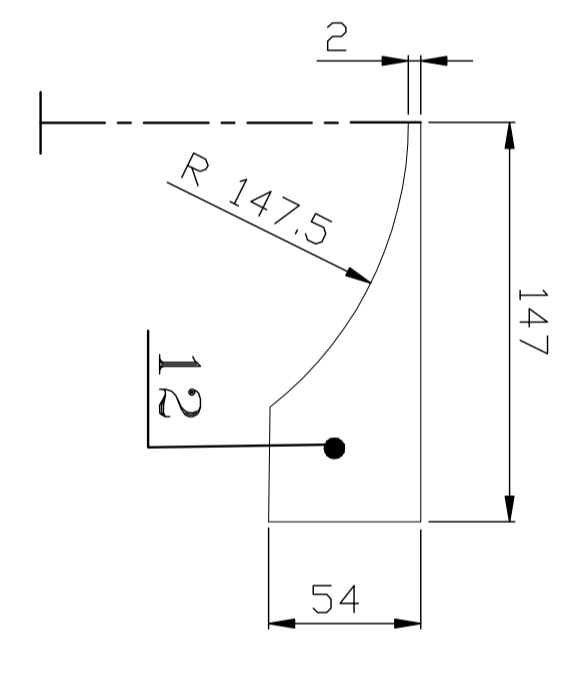
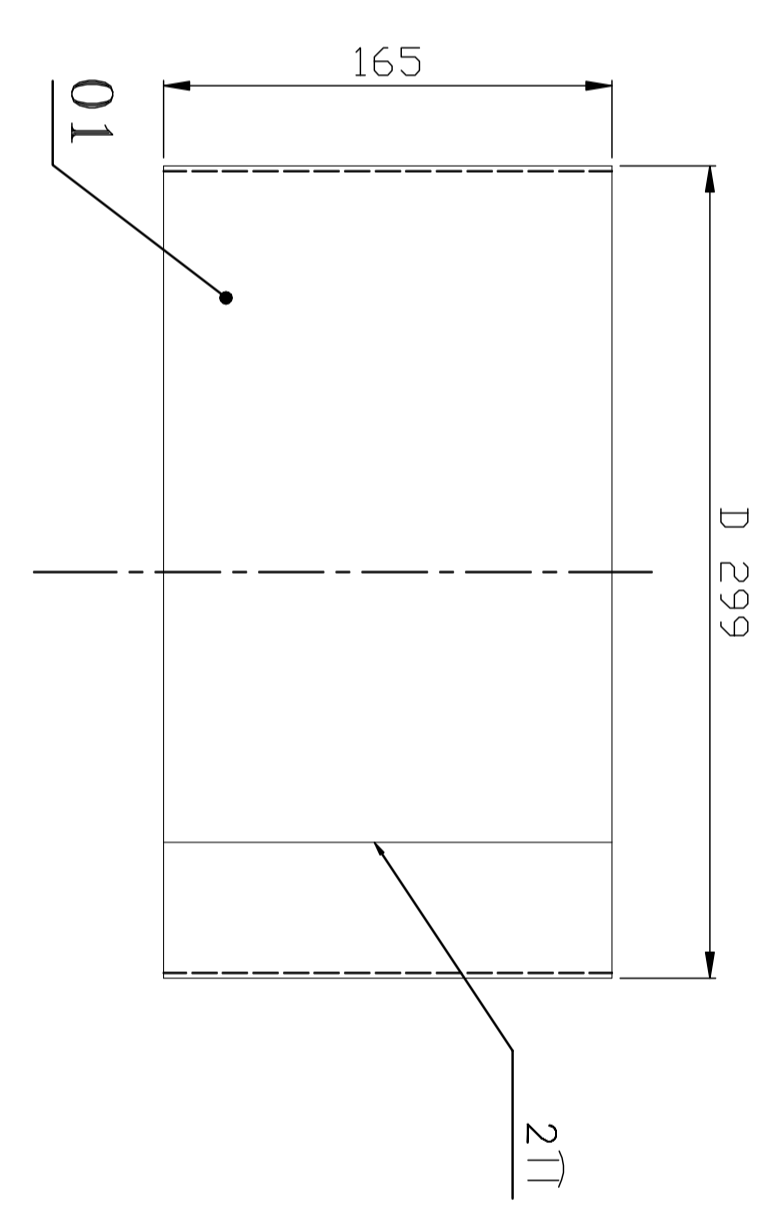
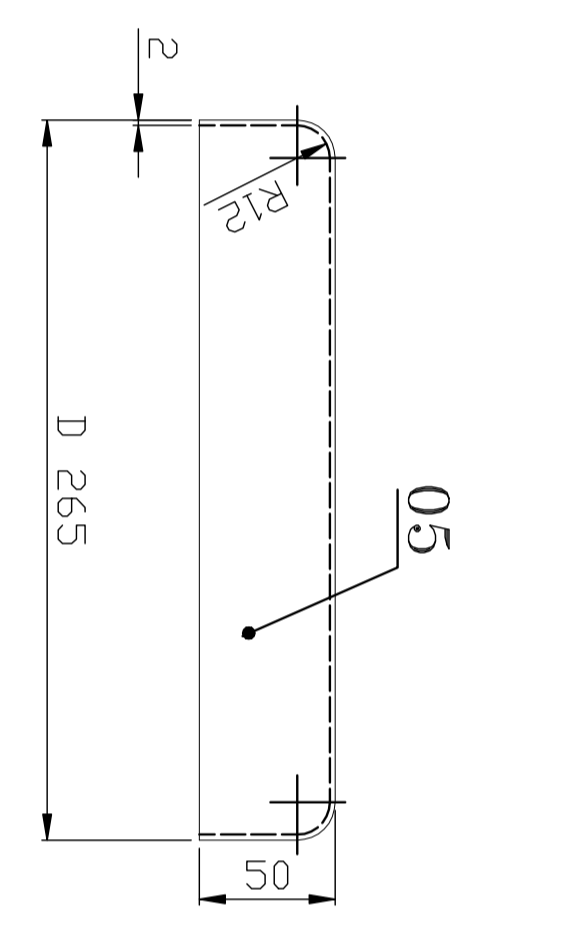
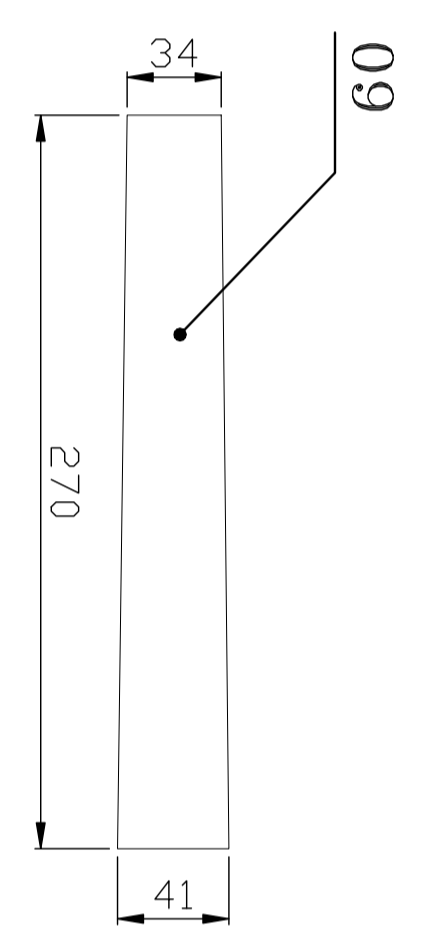
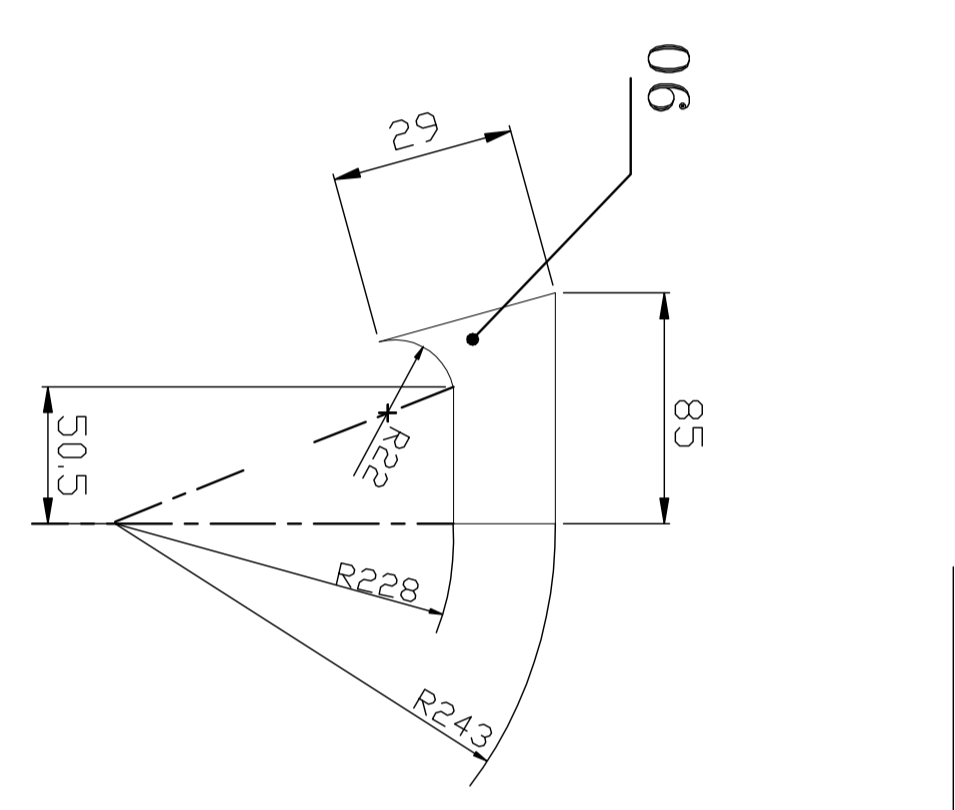
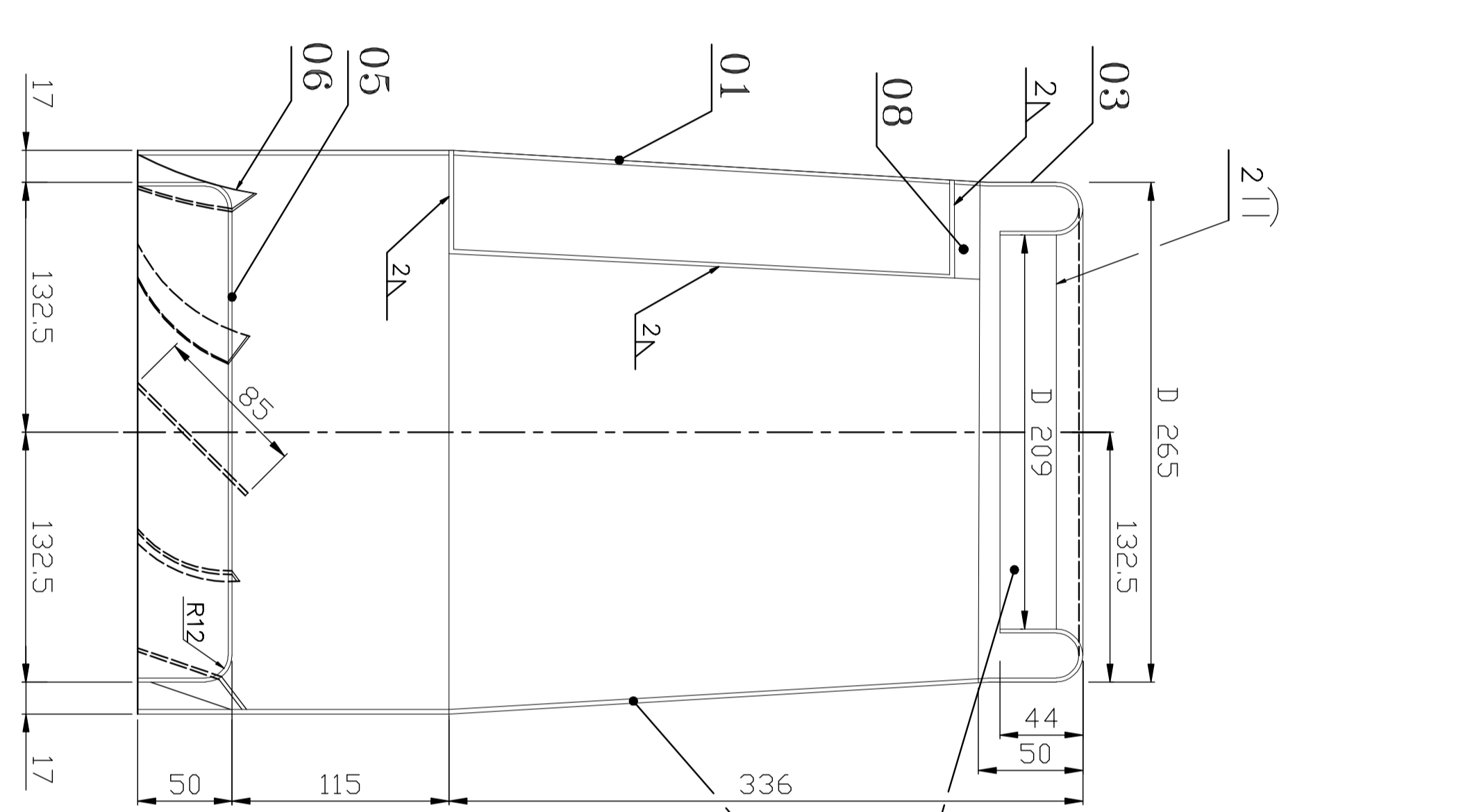
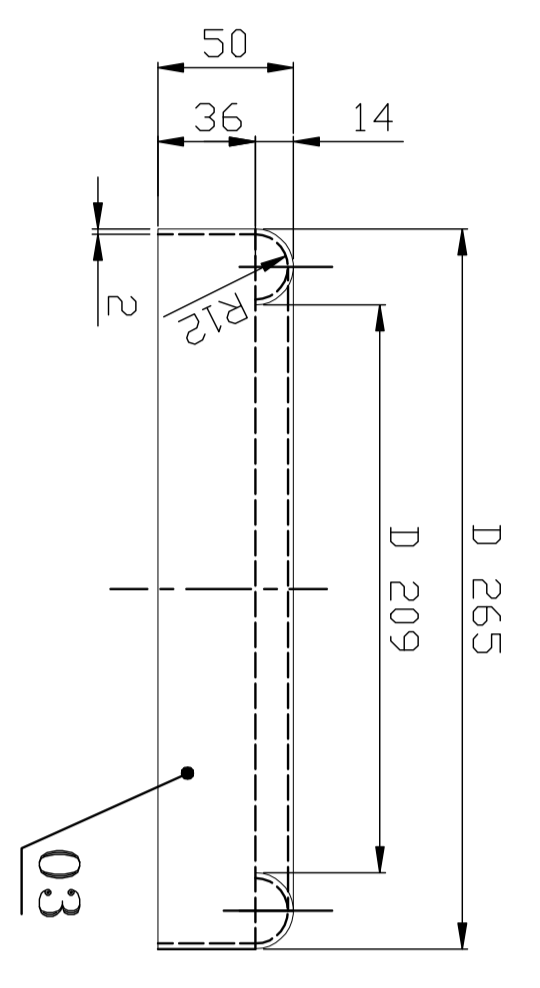
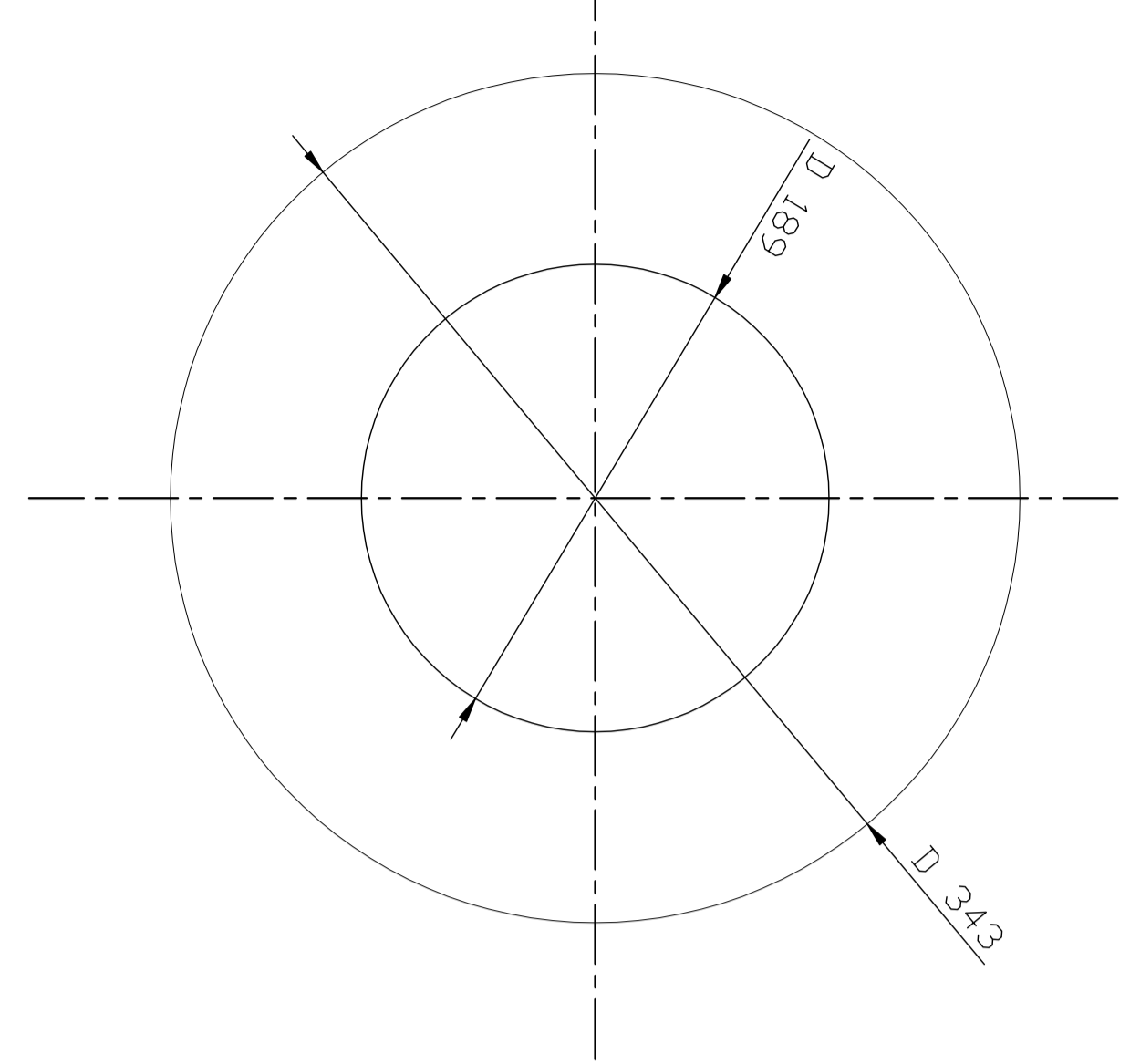
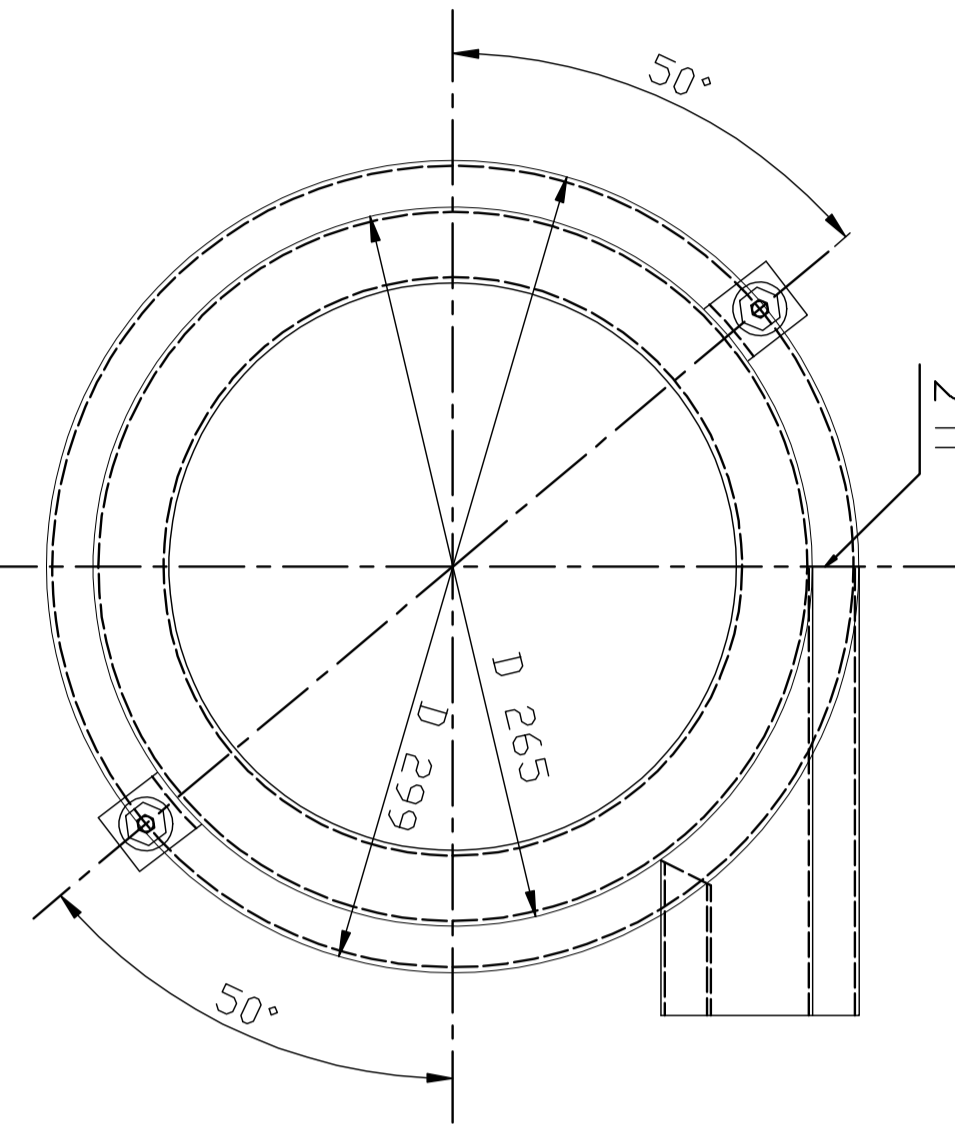
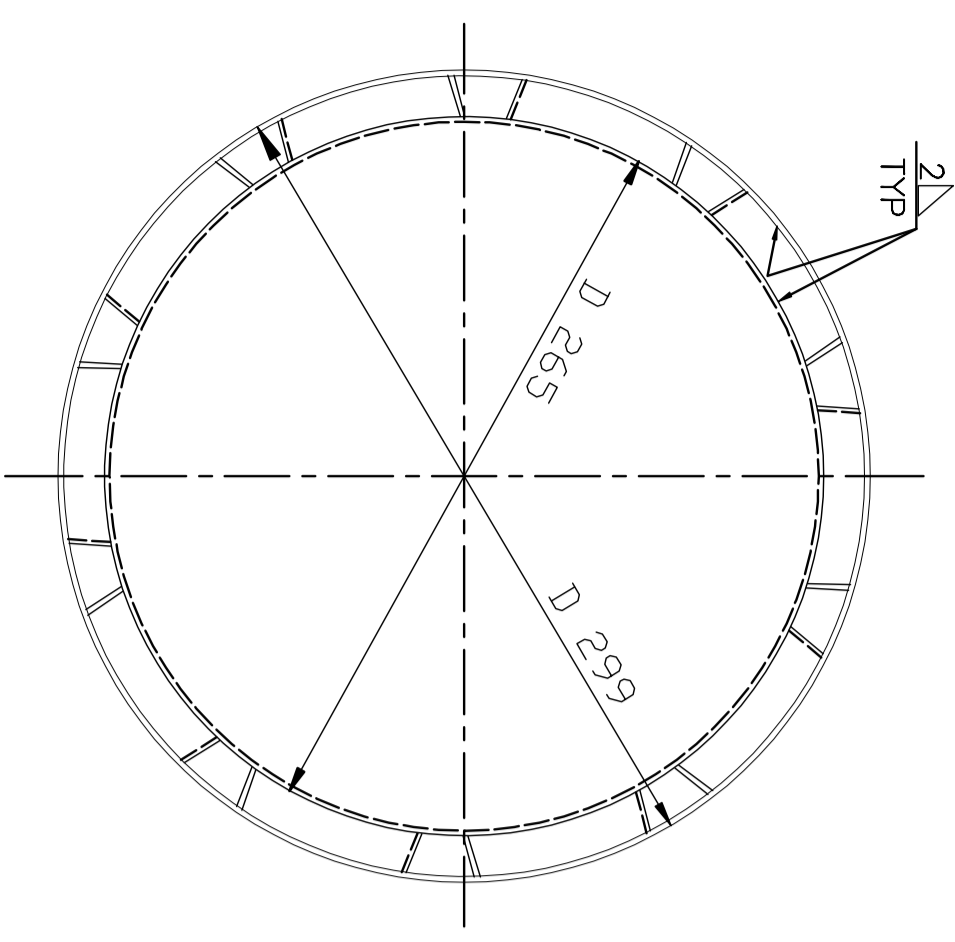
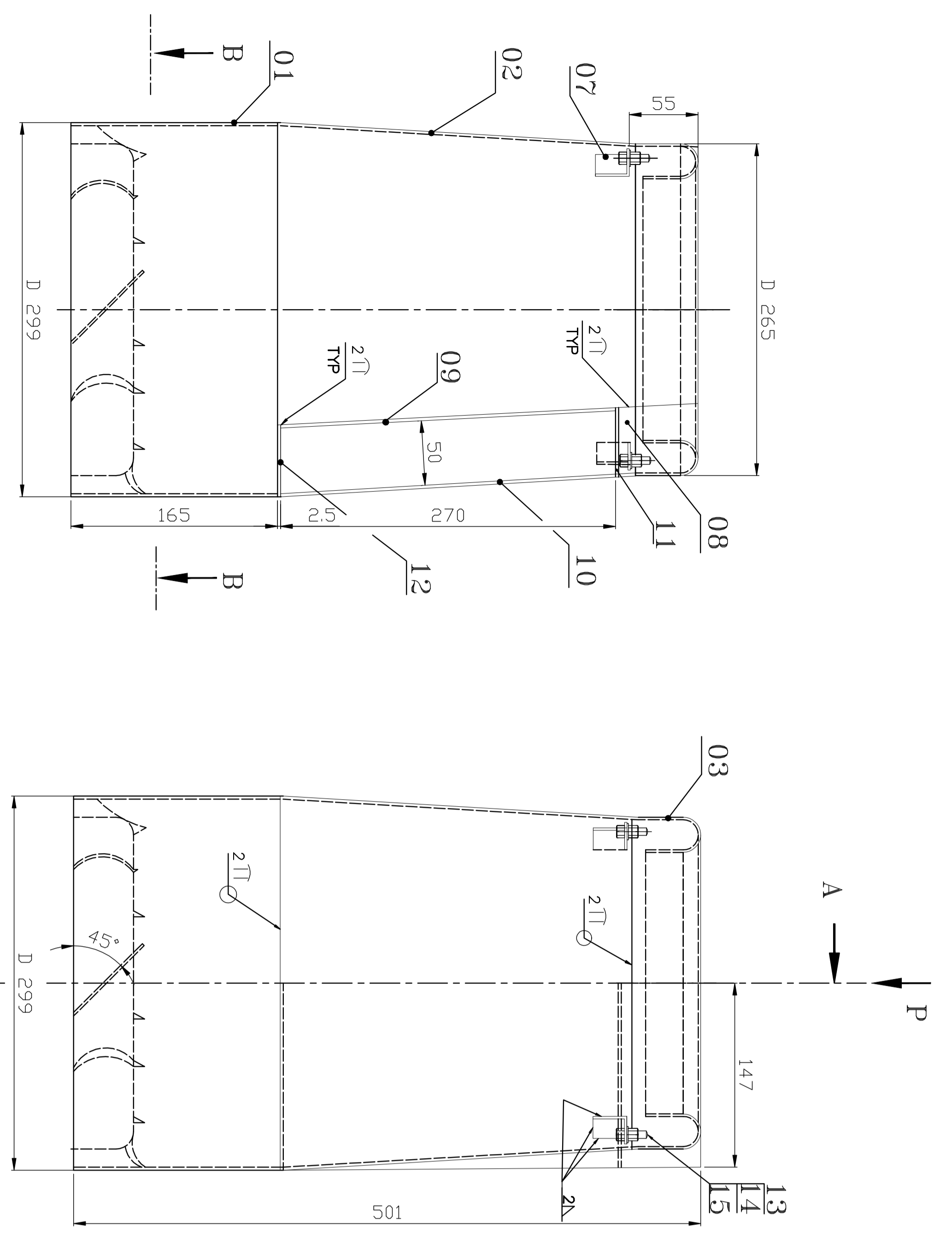
NO.	DATE	BY	REVISION
01	22/08/18		ISSUED FOR MANUFACTURE
02	22/08/18		ISSUED FOR MANUFACTURE

TYPE OF PRODUCT	SEPARATING CHAMBER
CUSTOMER/PROJECT	
DESIGNER	N.T.S.
CHECKER	
SCALE	4:1
DRAWING NO.	0-04-116-UB046
REV.	00

THE INFORMATION ON THIS DOCUMENT IS THE PROPERTY OF BHARAT HEAVY ELECTRICALS LIMITED. IT MUST NOT BE USED DIRECTLY OR INDIRECTLY IN ANY WAY DETRIMENTAL TO THE INTEREST OF THE COMPANY

GENERAL DIMENSIONAL LIMITS, FITS & TOLERANCES AS PER HY0230261



ITEM NUMBER	DESCRIPTION	DRAWING NUMBER	ITEM NO.	MATERIAL SPEC.	QTY.
15	WASHER PHINCO		41008 00008	IS 20110A	4
14	MUTTER GR C		41304 00008	IS 19089 C.A.4	2
13	SCREW GR C		412280805	IS 19089 C.A.4	2
12	DRIVER INLET BOTTOM		SH 23544 147	IS 1011190	1
11	DRIVER INLET TOP		SH 23544 147	IS 1011190	1
10	INLET PLATE (RIGHT)		SH 23544 270	IS 1011190	1
09	INLET PLATE (LEFT)		SH 23544 270	IS 1011190	1
08	FLYER STRIP		SH 2108 130	IS 1011104	1
07	CLIP		SH 23544 90	IS 1011104	2
06	ROFFLE WAVE		SH 23544 90	IS 1011104	10
05	ROFFLE RUFFLE		SH 23544 90	IS 1011104	10
04	TOP RING		SH 23544 861	IS 1011104	1
03	CONICAL RING		SH 23544 834	IS 1011104	1
02	ROFFLE RING		SH 23544 888	IS 1011104	1
01	ROFFLE RING		SH 23544 881	IS 1011104	1

CAUTION THE INFORMATION ON THIS DOCUMENT IS THE PROPERTY OF BHARAT HEAVY ELECTRICALS LIMITED. IT MUST NOT BE USED DIRECTLY OR INDIRECTLY IN ANY WAY DETRIMENTAL TO THE INTEREST OF THE COMPANY

TYPE OF PRODUCT: CENTRAL SEPARATOR (POT)

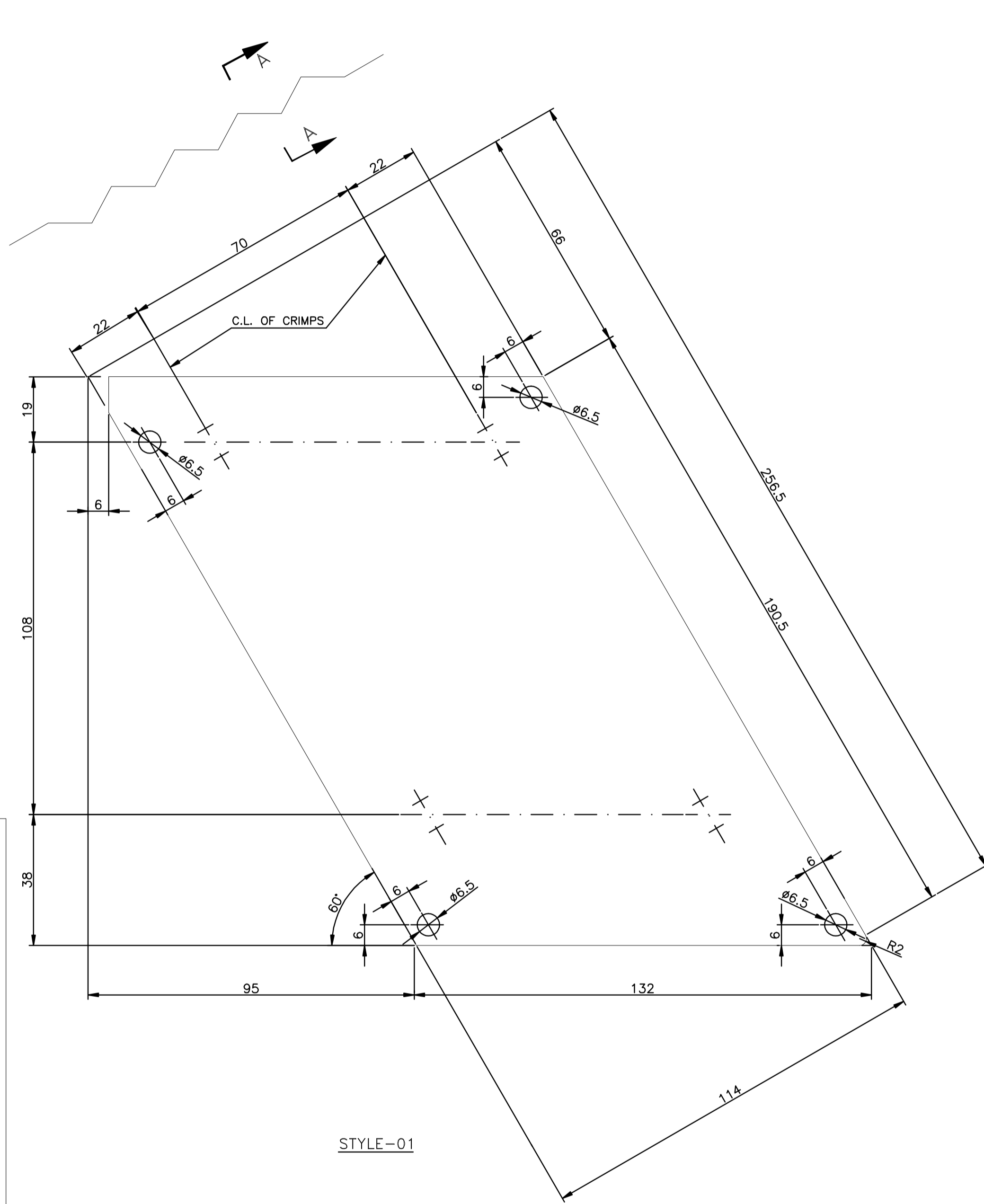
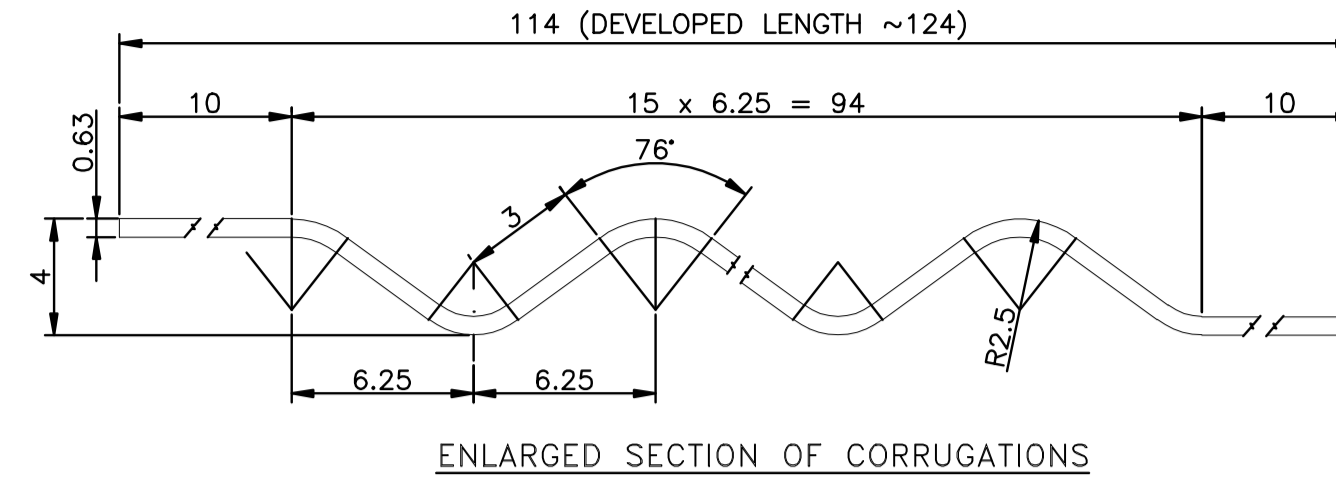
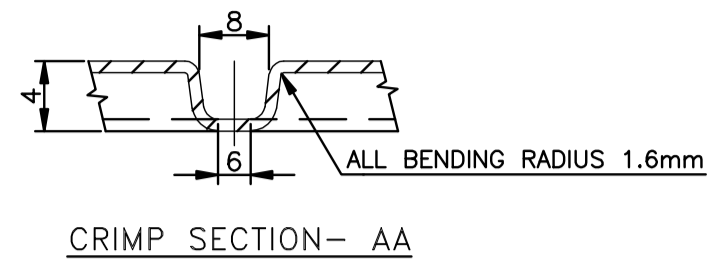
DATE: 06.10.2018

SCALE: 1:1

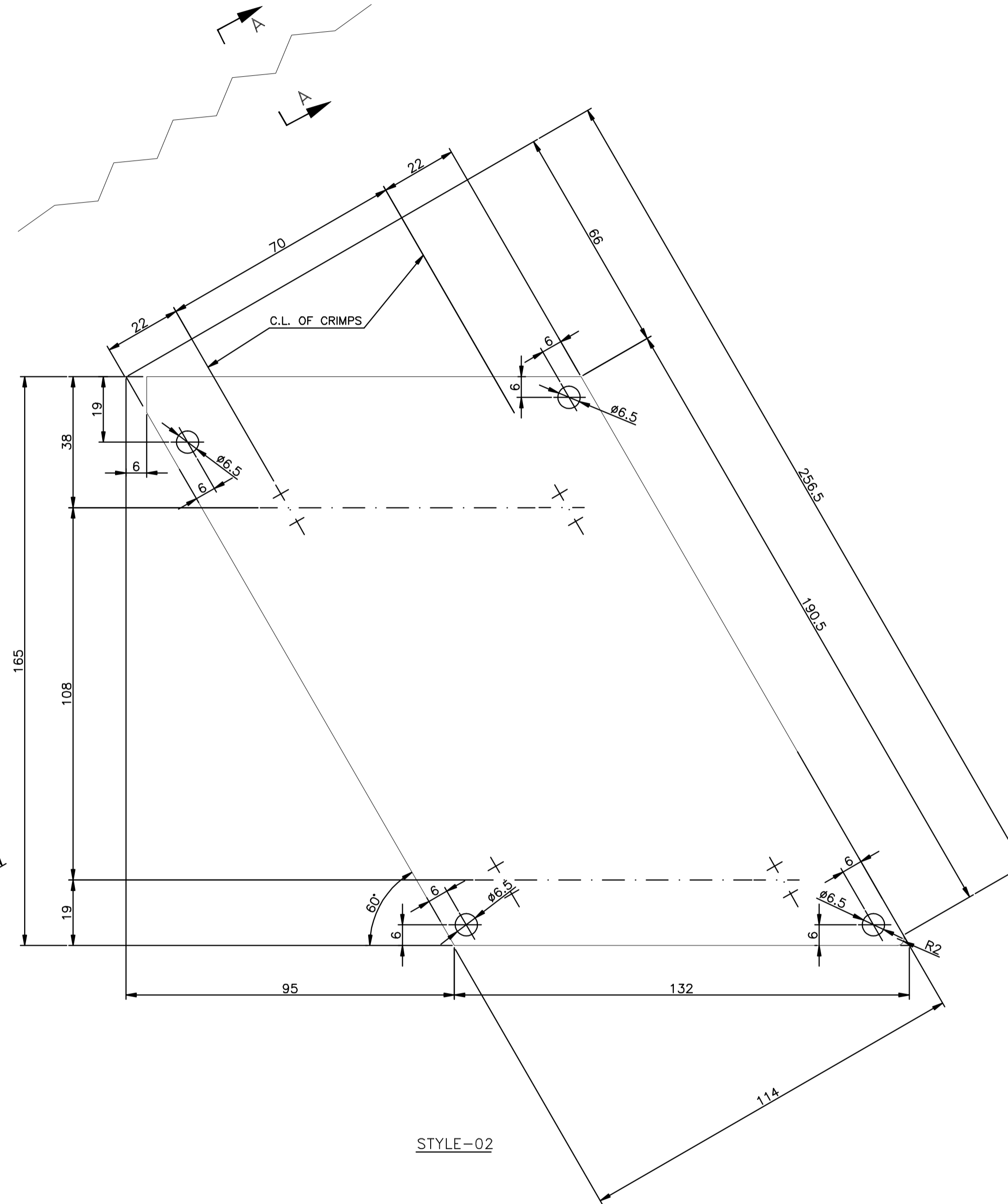
PROJECT: 0-04-114-80170

DESIGNER: 00

DRG. NO. 1-04-114-U8029



STYLE-01



STYLE-02

THE INFORMATION ON THIS DOCUMENT IS THE PROPERTY OF BHARAT HEAVY ELECTRICALS LIMITED. IT MUST NOT BE USED DIRECTLY OR INDIRECTLY IN ANY WAY DETRIMENTAL TO THE INTEREST OF THE COMPANY

GENERAL DIMENSIONAL LIMITS, FITS & TOLERANCES AS PER HY0230261

INVENTORY NO. SIGN. AND DATE REF. DRG. NO. COMPUTER FILE NAME 1381010XXX-500-ROO.DWG

ITEM No.	REF. DRG./BPS No.	RVN	MATL.CODE	COMP GROUP	UNIT WT.(Kg.)	DESCRIPTION / REMARKS
02	15 011 642 IS 513D				0.163	SH. 0.63 256.5 x ~124
01	15 011 642 IS 513D				0.163	SH. 0.63 256.5 x ~124

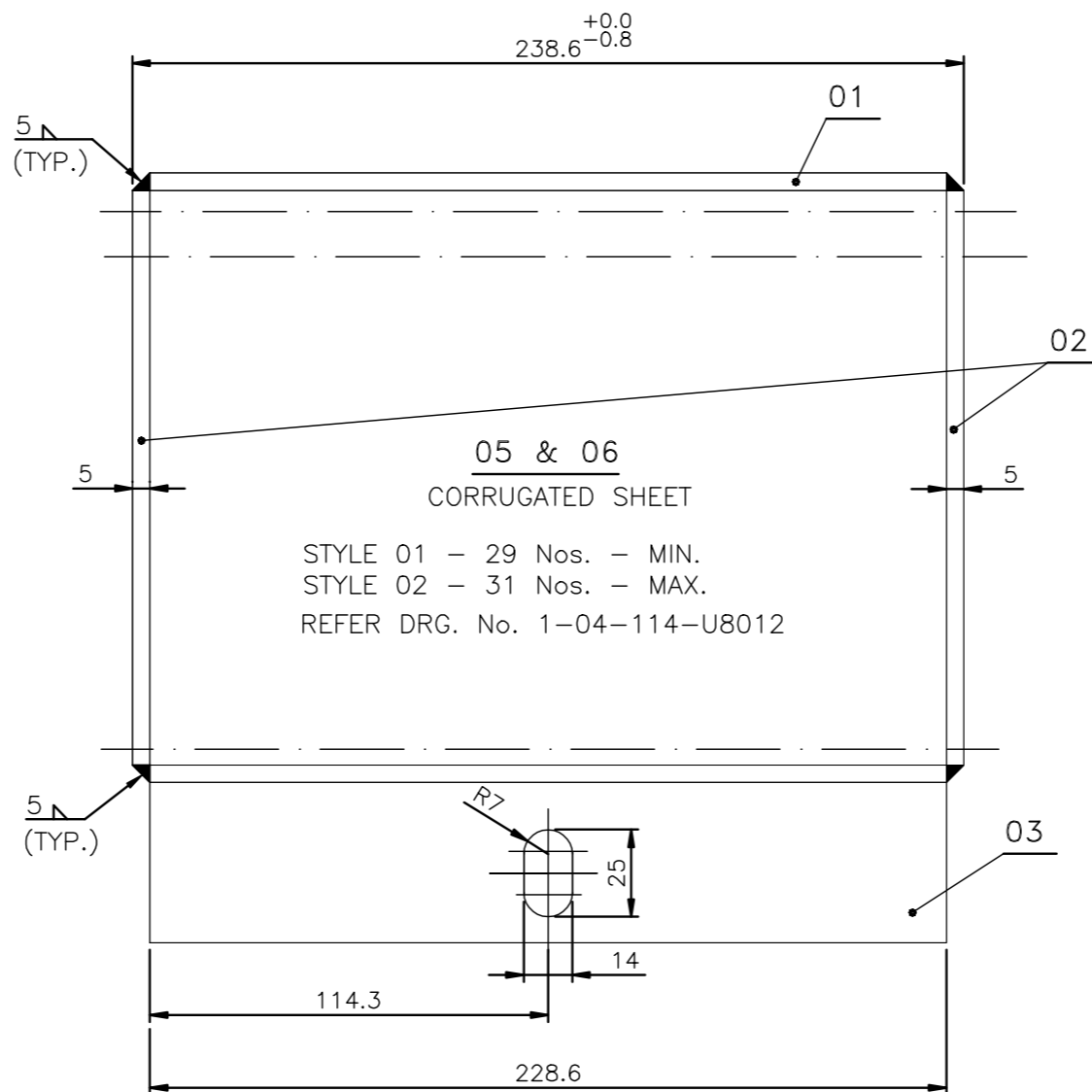
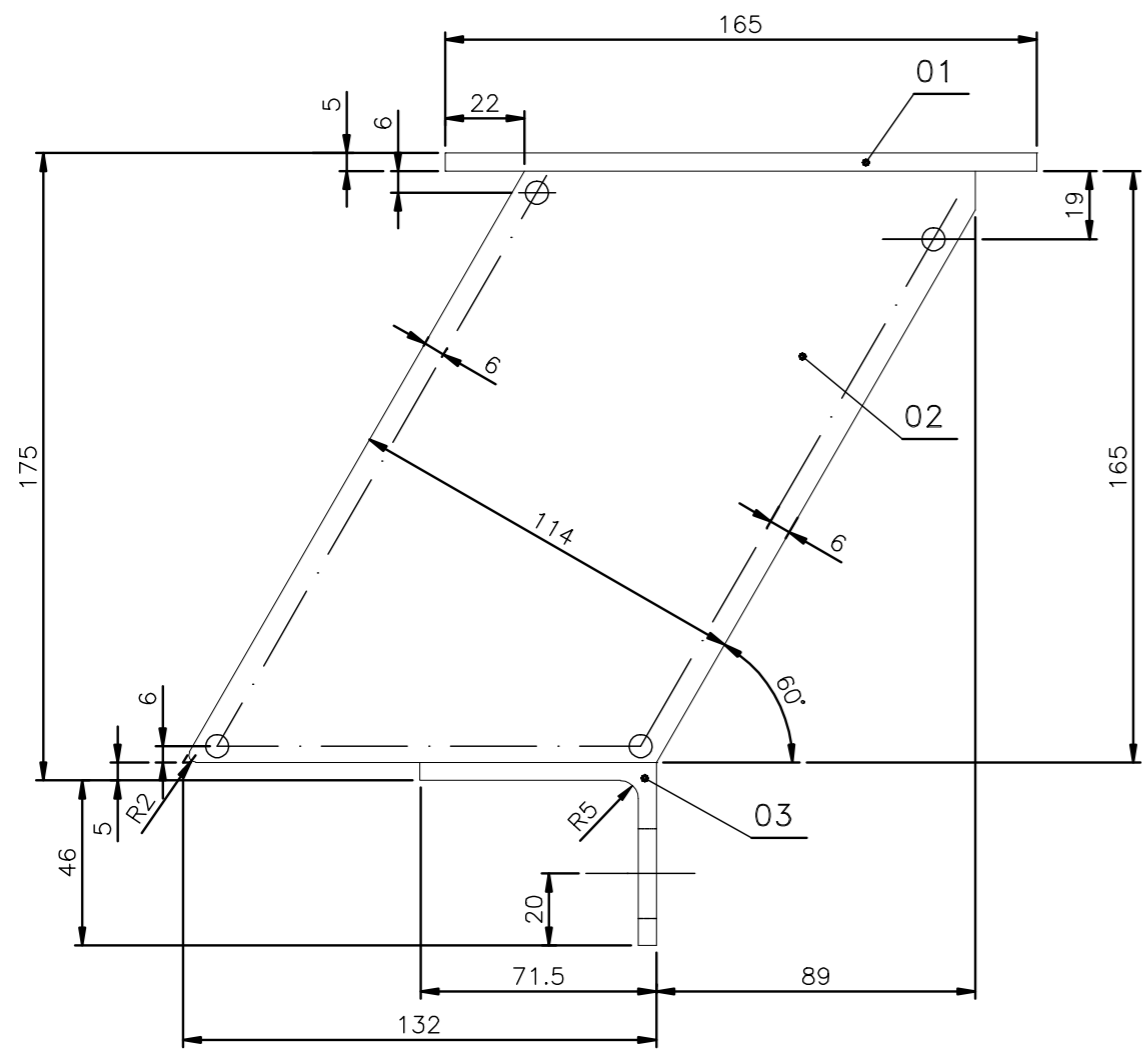
**CAUTION:** The information on this drawing is the property of BHARAT HEAVY ELECTRICALS LIMITED. It must not be used directly or indirectly in any way detrimental to the interest of the company.

TYPE OF PRODUCT OR NAME OF CUSTOMER/PROJECT		NAME		DATE	
Bharat Heavy Electricals Ltd		K.H.THOMAS		14.06.2018	
UNIT: HEAVY PLATES & VESSELS PLANT		MVRP/GGR		14.06.2018	
VISAKHAPATNAM - 530012		Y.P.KUMAR		14.06.2018	
DEPT HTE	ALL DIMENSIONS ARE IN MM	PROJECTION	SCALE	WEIGHT (Kg)	REF TO ASSY / OLD DWG
CODE 320			N.T.S	0.326	
TITLE CORRUGATED SHEET				DRAWING NO :	REV
				1-04-114-U8029	00

REV	DATE	ALTERED :	REV	DATE	ALTERED :
02		CHD & APPD:	01		CHD & APPD :
ZONE			ZONE		

DRAWING NO. 2-04-114-U8083

FOR TOLERANCES OF UNTOLERANCED DIMENSIONS DURING MANUFACTURE REFER PLANT STD. NO TP 023 0299



TYPE AND SIZE OF WELD	TYPE OF ELECTRODE	LENGTH OR NO. OF WELDS	REMARKS
5Δ	E 6013	0.25 m	
TT <sup>G</sup>	E 6013	8 Nos.	

5Δ - E 6013 - 1m

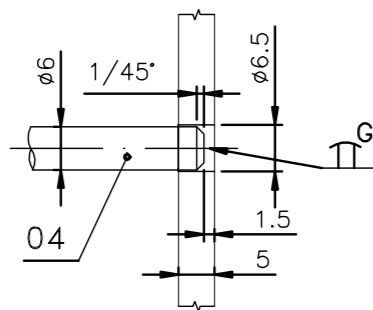
STYLE No.	ITEM No.	BPS No.	REF. DRG./BPS No.	RVN	MATL.CODE	COMP GROUP	UNIT WT.(Kg.) NO.OFF	DESCRIPTION / REMARKS
	0206		1-04-114-U8029		15 601 818 AMESA IS 513D		0.163 31	CORRUGATED SHEET SH.0.63; 256.5x~124
	0105		1-04-114-U8029		15 601 818 AMESA IS 513D		0.163 29	CORRUGATED SHEET SH.0.63; 256.5x~124
	04				15 004 026 IS 2062Fe410WA		0.05 4	ROD D6 235 LONG
	03				15 601 808 AMESA IS 513D		1.1 1	BOTTOM COVER PLATE PL.5;228.6x120
	02				15 601 808 AMESA IS 513D		1.5 2	END PLATE PL.5; 165x221
	01				15 601 808 AMESA IS 513D		1.6 1	TOP COVER PLATE PL.5;165x228.6

CARD TYPE 1      CARD TYPE 2

BILL OF MATERIAL No.

NOTE:-

- WHILE MAKING UP CORRUGATED SHEET BASKET CLAMP TOGETHER WITH A FORCE OF 20 Kg. BEFORE WELDING RODS TO END PLATES. SHOP TO MAINTAIN 238.6<sup>+0.0</sup>/<sub>-0.8</sub> OVER END PLATES. IT MAY BE NECESSARY TO ADD AN ADDITIONAL CORR. SHEET OR AN END PLATE OF THE REQD. THICKNESS TO MAINTAIN 238.6<sup>+0.0</sup>/<sub>-0.8</sub> OVER END PLATES. AFTER BASKET IS COMPLETE WELD TOP AND BOTTOM COVER PLATES AS SHOWN.
- ASSY. TOLERANCE:- FOR AN ASSEMBLY OF 15 BOXES THE OVERALL LENGTH TOLERANCE SHALL BE MAINTAINED WITH IN  $\pm 0$ /<sub>-3</sub>  
(ie) LENGTH OVER 15 BOXES = (3579)<sub>-3</sub>



TYPE OF PRODUCT OR NAME OF CUSTOMER/PROJECT		Bharat Heavy Electricals Ltd UNIT: HEAVY PLATES & VESSELS PLANT VISAKHAPATNAM - 530012		DRN K.H.THOMAS 14.06.2018	DATE 14.06.2018
DEPT HTE CODE 320	ALL DIMENSIONS ARE IN MM	PROJECTION SCALE N.T.S.	WEIGHT (Kg) 15.680	REF TO ASSY / OLD DWG	
TITLE CORRUGATED SHEET BASKET ASSEMBLY			DRAWING NO : 2-04-114-U8083 00		

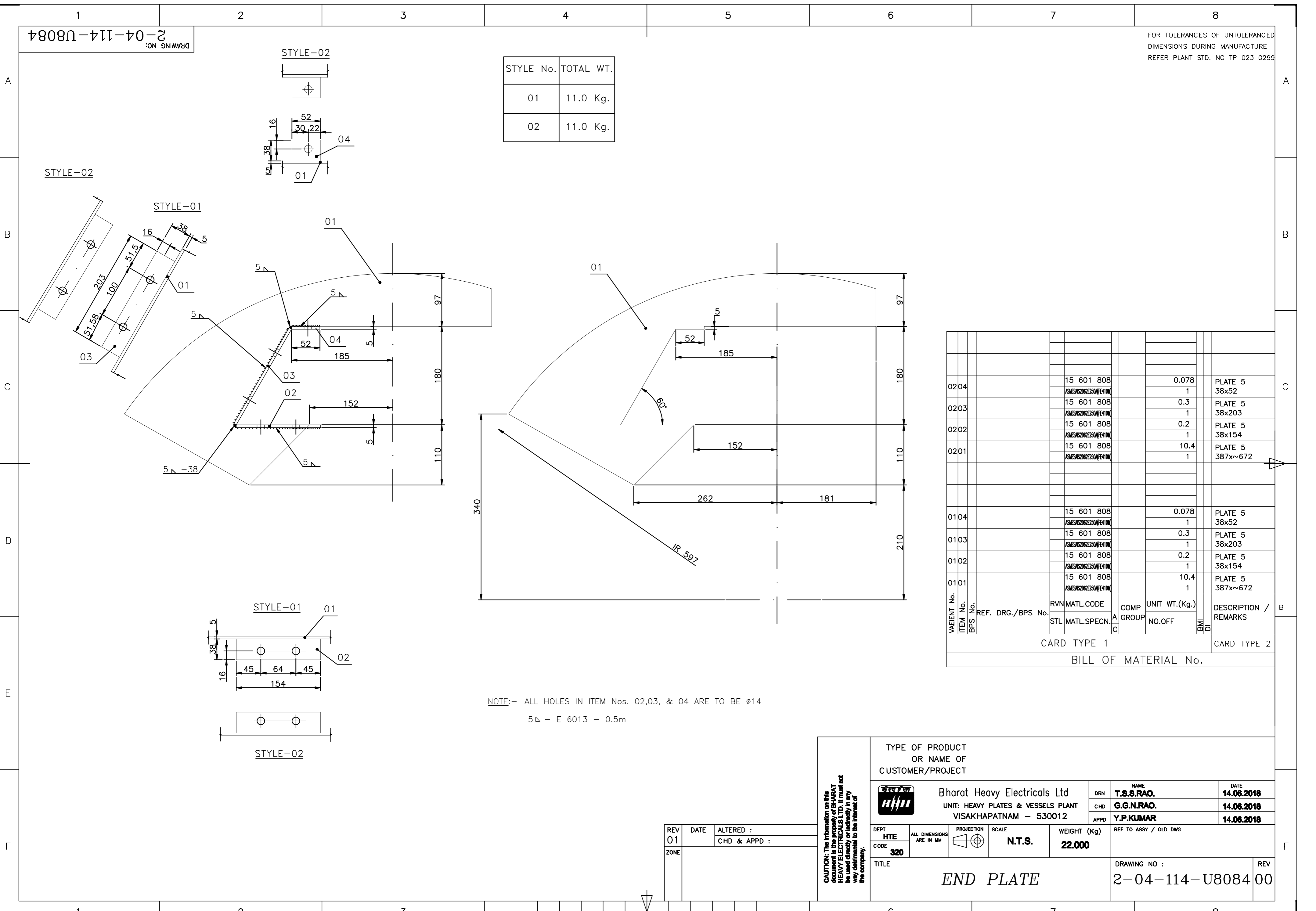
REV	DATE	ALTERED :
01		CHD & APPD :
ZONE		

CAUTION: The information on this document is the property of BHARAT HEAVY ELECTRICALS LTD. It must not be used directly or indirectly in any way detrimental to the interest of the company.

DRAWING NO: 2-04-114-U8084

FOR TOLERANCES OF UNTOLERANCED DIMENSIONS DURING MANUFACTURE REFER PLANT STD. NO TP 023 0299

STYLE No.	TOTAL WT.
01	11.0 Kg.
02	11.0 Kg.



NOTE:- ALL HOLES IN ITEM Nos. 02,03, & 04 ARE TO BE  $\phi 14$   
 5 $\nabla$  - E 6013 - 0.5m

ITEM No.	REF. DRG./BPS No.	RVN MATL.CODE	COMP GROUP	UNIT WT.(Kg.)	DESCRIPTION / REMARKS
0204		15 601 808		0.078	PLATE 5
		ASMESG06Z250(FE4100)		1	38x52
0203		15 601 808		0.3	PLATE 5
		ASMESG06Z250(FE4100)		1	38x203
0202		15 601 808		0.2	PLATE 5
		ASMESG06Z250(FE4100)		1	38x154
0201		15 601 808		10.4	PLATE 5
		ASMESG06Z250(FE4100)		1	387x~672
0104		15 601 808		0.078	PLATE 5
		ASMESG06Z250(FE4100)		1	38x52
0103		15 601 808		0.3	PLATE 5
		ASMESG06Z250(FE4100)		1	38x203
0102		15 601 808		0.2	PLATE 5
		ASMESG06Z250(FE4100)		1	38x154
0101		15 601 808		10.4	PLATE 5
		ASMESG06Z250(FE4100)		1	387x~672

CARD TYPE 1      CARD TYPE 2

BILL OF MATERIAL No.

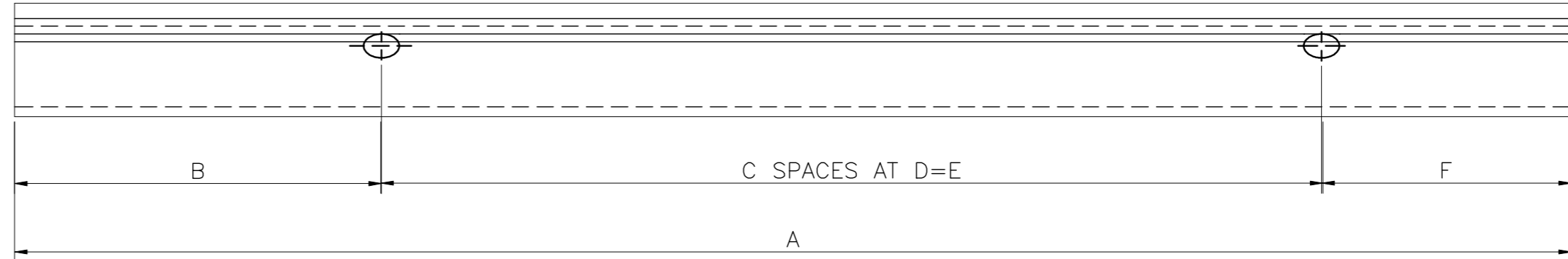
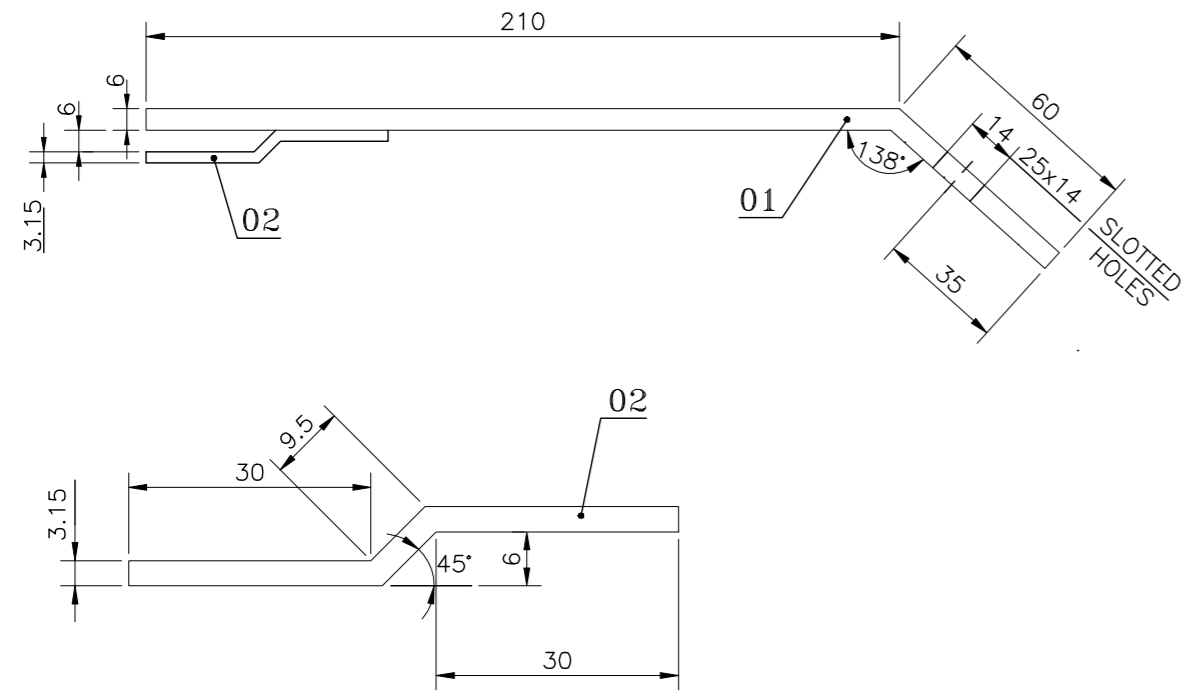
DEPT <b>HTE</b> CODE <b>320</b>		ALL DIMENSIONS ARE IN MM		PROJECTION 	SCALE <b>N.T.S.</b>	WEIGHT (Kg) <b>22.000</b>	REF TO ASSY / OLD DWG
		TYPE OF PRODUCT OR NAME OF CUSTOMER/PROJECT Bharat Heavy Electricals Ltd UNIT: HEAVY PLATES & VESSELS PLANT VISAKHAPATNAM - 530012		NAME <b>T.S.S.RAO.</b>	DATE <b>14.06.2018</b>		
		TITLE <b>END PLATE</b>		DRAWING NO : <b>2-04-114-U8084</b>	REV <b>00</b>		

REV	DATE	ALTERED :
01		CHD & APPD :
ZONE		

CAUTION: The information on this document is the property of BHARAT HEAVY ELECTRICALS LTD. It must not be used directly or indirectly in any way detrimental to the interest of the company.

DRAWING NO. 2-04-114-U8085

FOR TOLERANCES OF UNTOLERANCED DIMENSIONS DURING MANUFACTURE REFER PLANT STD. NO TP 023 0299



3Δ - E 6013 - 3.9 m (FOR STL. 04)  
 3Δ - E 6013 - 4.5 m (FOR STL. 06)

STYLE NO.	BOILER SIZE	A	B	C	D	E	F	TOTAL WT.
04	24 VP 14 W	3862	397	5	635	3175	290	58.5KG
06	27 VP 14 W	4343	326	6	635	3810	207	64.7KG

VARIANT No.	ITEM No.	BPS No.	REF. DRG./BPS No.	RVN	MATL.CODE	COMP GROUP	UNIT WT.(Kg.)	DESCRIPTION / REMARKS
				STL	MATL.SPECN.	A C	NO.OFF	BMI DI
06	02				15 011 182		8.2	SHEET 3.15
					IS 1079D		1	4343x~76
06	01				15 601 813		56.5	PLATR 6;
					ASMESAIS2062E250A(FE410W)		1	4343x~276
04	01				15 011 182		7.3	SHEET 3.15
					IS 1079D		1	3862x~76
04	01				15 601 813		51.2	PLATE 6;
					ASMESAIS2062E250A(FE410W)		1	3862x~276

CARD TYPE 1      CARD TYPE 2

BILL OF MATERIAL No.

REV	DATE	ALTERED :
01		CHD & APPD :
ZONE		

TYPE OF PRODUCT OR NAME OF CUSTOMER/PROJECT

**Bharat Heavy Electricals Ltd**  
 UNIT: HEAVY PLATES & VESSELS PLANT  
 VISAKHAPATNAM - 530012

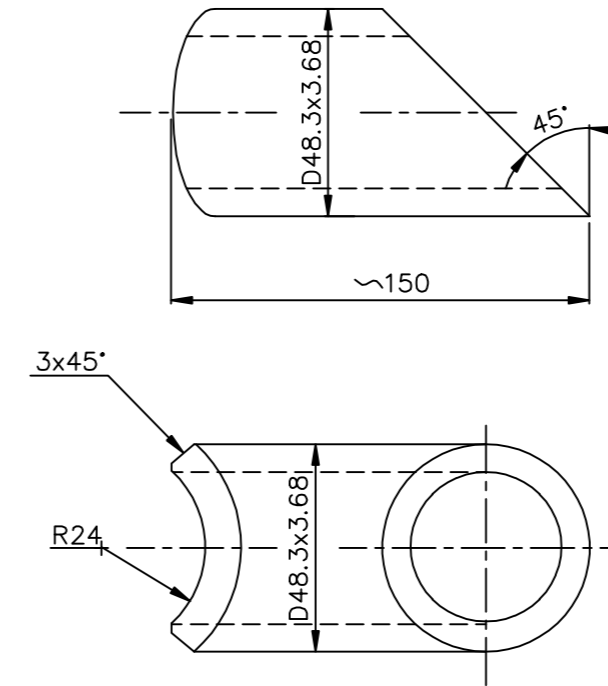
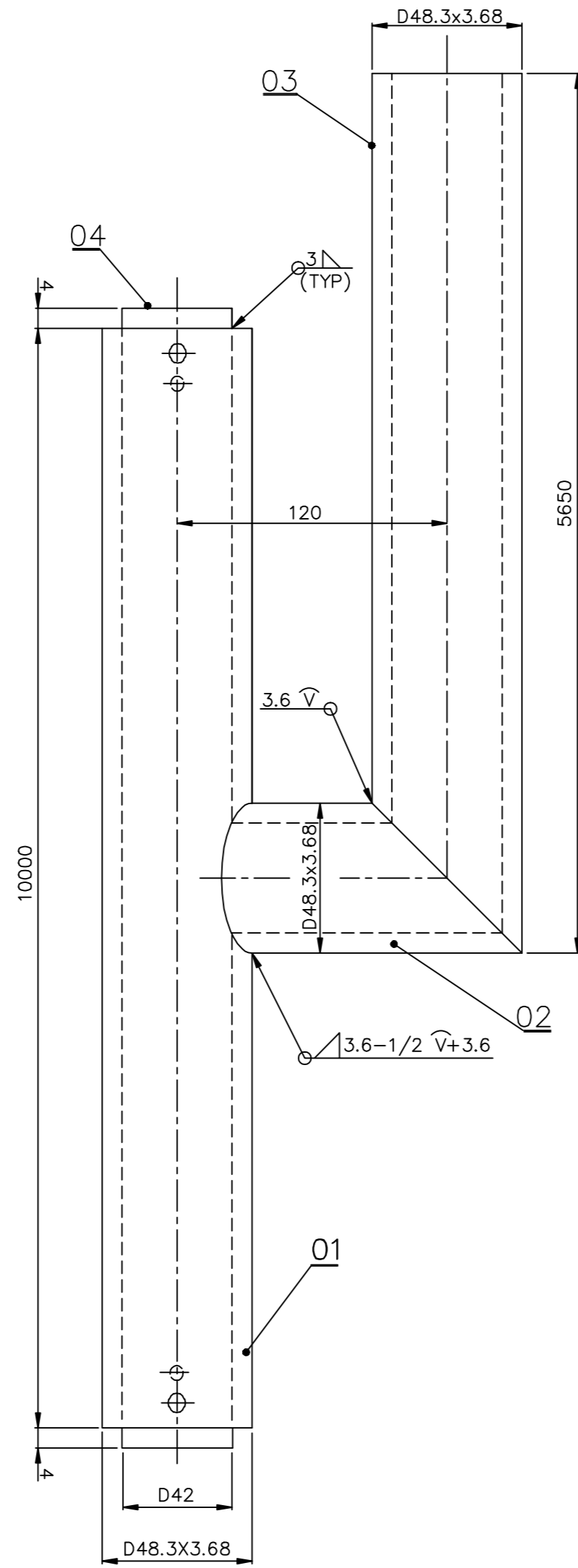
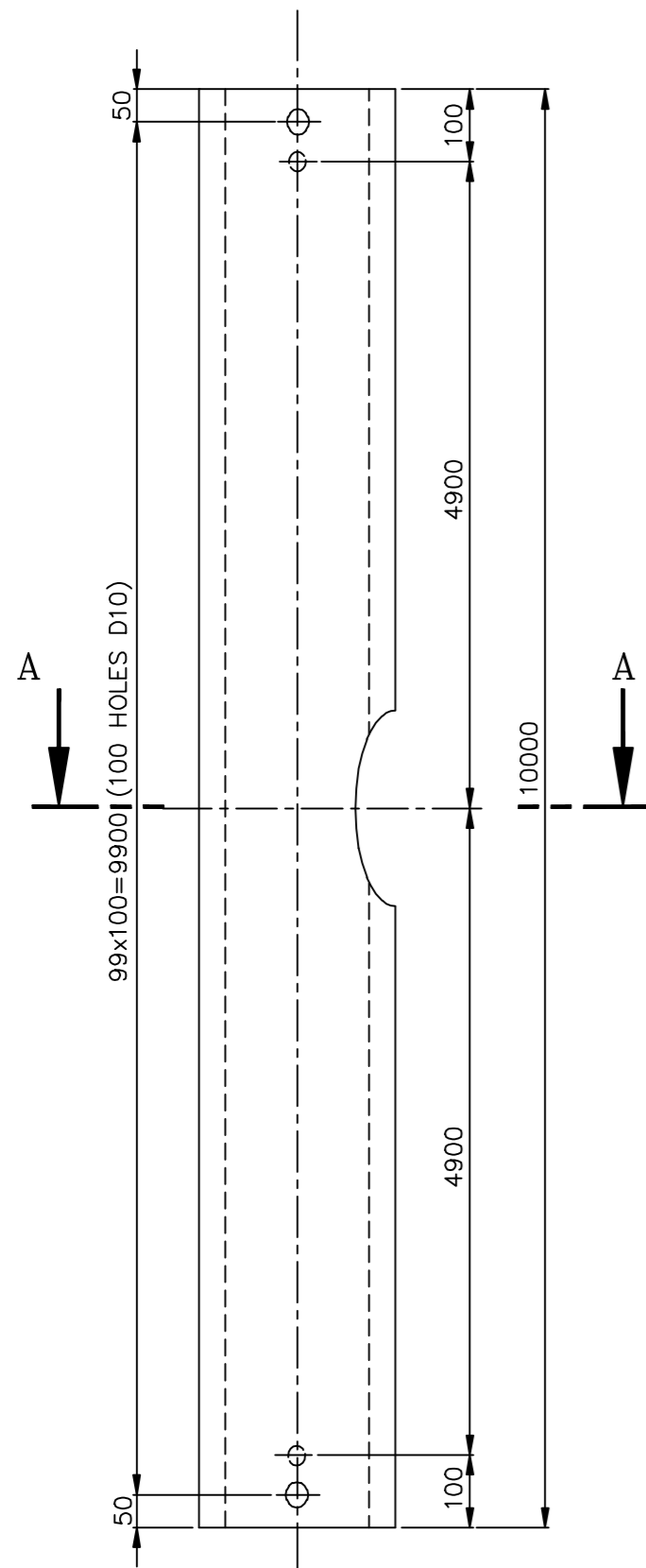
DEPT	NAME	DATE
HTE	K.H.THOMAS	14.06.2018
CODE	CHD	DATE
320	MVRP/IGN.RAO	14.06.2018
	APPD	DATE
	Y.P.KUMAR	14.06.2018

DEPT CODE: HTE 320      ALL DIMENSIONS ARE IN MM      PROJECTION: [Symbol]      SCALE: N.T.S.      WEIGHT (Kg): 64.700      REF TO ASSY / OLD DWG:

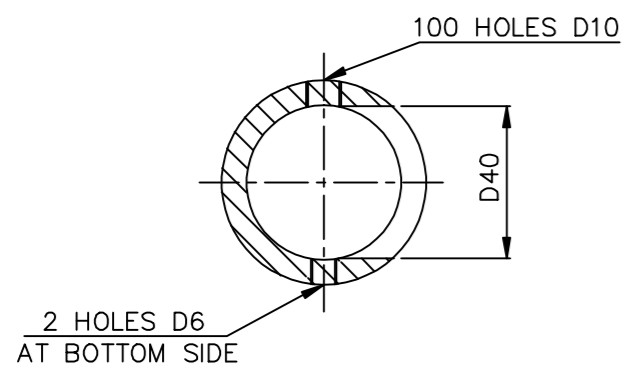
TITLE: **BENT SUPPORT BAR**      DRAWING NO.: 2-04-114-U8085      REV: 00

CAUTION: The information on this document is the property of BHARAT HEAVY ELECTRICALS LTD. It must not be used directly or indirectly in any way detrimental to the interest of the company.

DRAWING NO: 2-04-116-U8069



DETAILS OF ITEM 02



SECTION-AA

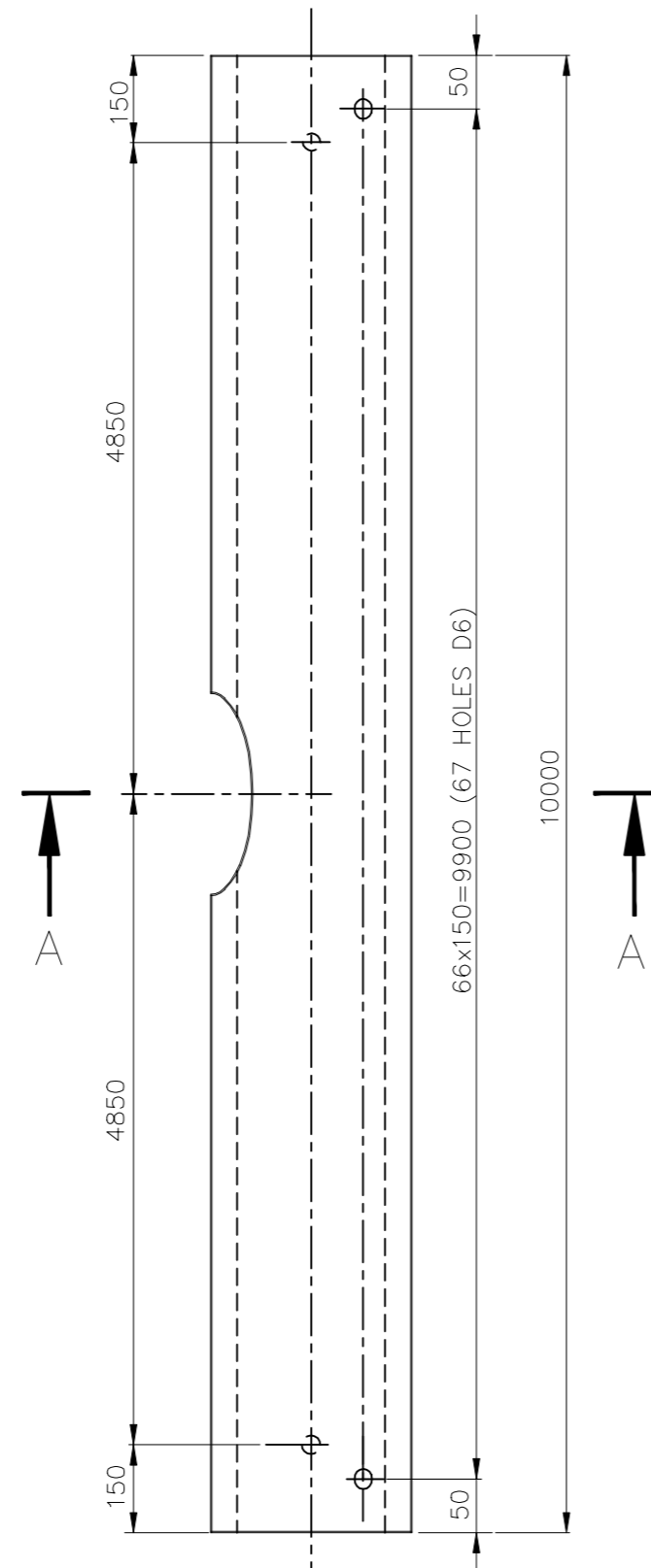
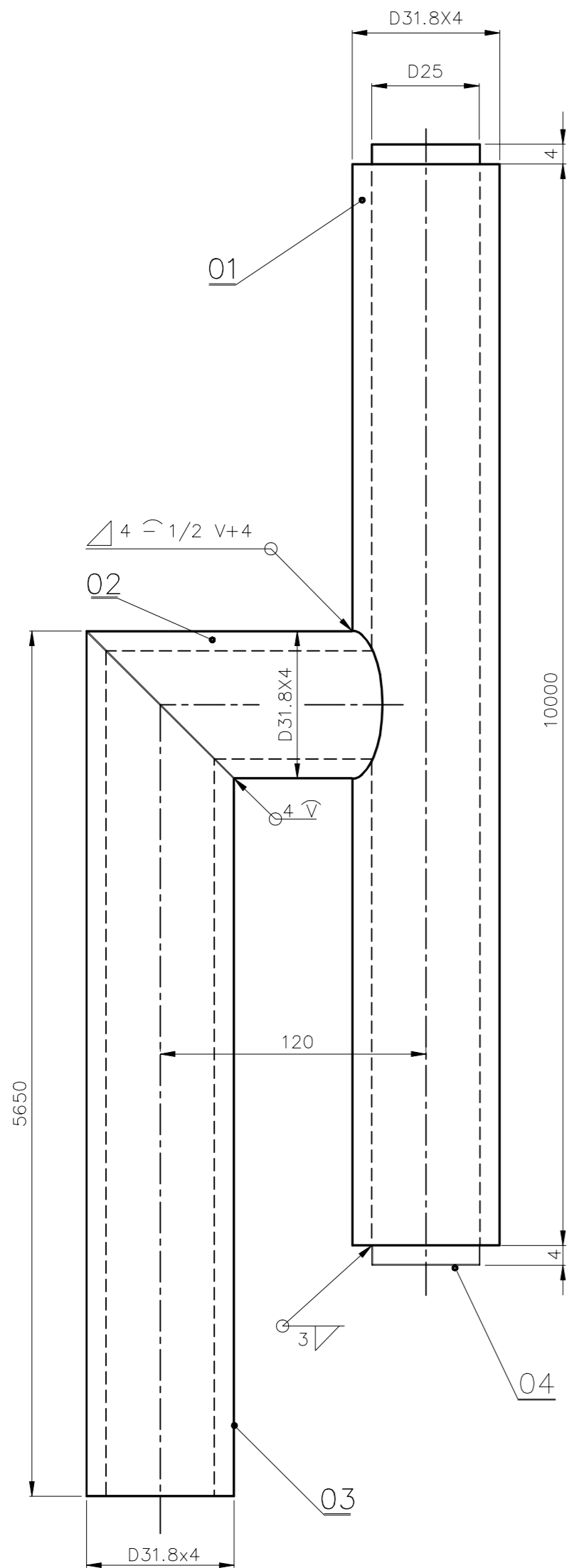
DETAILS OF ITEM 01

VARIANT NUMBER	ITEM NUMBER	DESCRIPTION	STD	DRAWING NUMBER	ITEM NO	MATERIAL CODE	A/G/P	UNIT	UNIT WEIGHT	GS	ZONE
VAR NO						MATERIAL SPECN		D1	QUANTITY		
04	SH 4 ; D42					15 011 334			0.050		
						IS 1079D			2		
03	PIPE D48.3x3.68 L=5650					15 605 687		C	22.800		
						SA106 GR.B			1		
02	PIPE D48.3x3.68 L=150					15 605 687		C	0.600		
						SA106 GR.B			1		
01	PIPE D48.3x3.68 L=10000					15 605 687		C	40.400		
						SA106 GR.B			1		

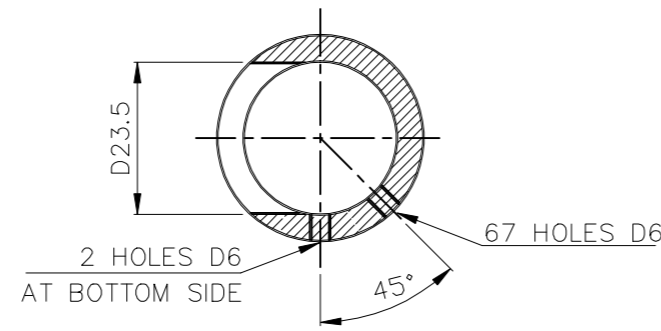
CAUTION: The information on this document is the property of BHARAT HEAVY ELECTRICALS LTD. It must not be used directly or indirectly in any way detrimental to the interest of the company.	TYPE OF PRODUCT OR NAME OF CUSTOMER/PROJECT		NAME		DATE
	BHARAT HEAVY ELECTRICALS LTD 361-319 VISAKHAPATNAM - 530012		Bharat Heavy Electricals Ltd		DRN
			UNIT: HEAVY PLATES AND VESSELS PLANT		CHD
			Y.PRASANNA KUMAR		DATE
DEPT HT ENGG		ALL DIMENSIONS ARE IN MM	PROJECTION	SCALE	WEIGHT (Kg)
CODE 320				N.T.S	63.900
TITLE				REF TO ASSY / OLD DWG	
C B D HEADER ASSY				2-04-116-81481	
DRAWING NO :				REV	
2-04-116-U8069				00	

REV	DATE	ALTERED
		CHKD & APPD
ZONE		

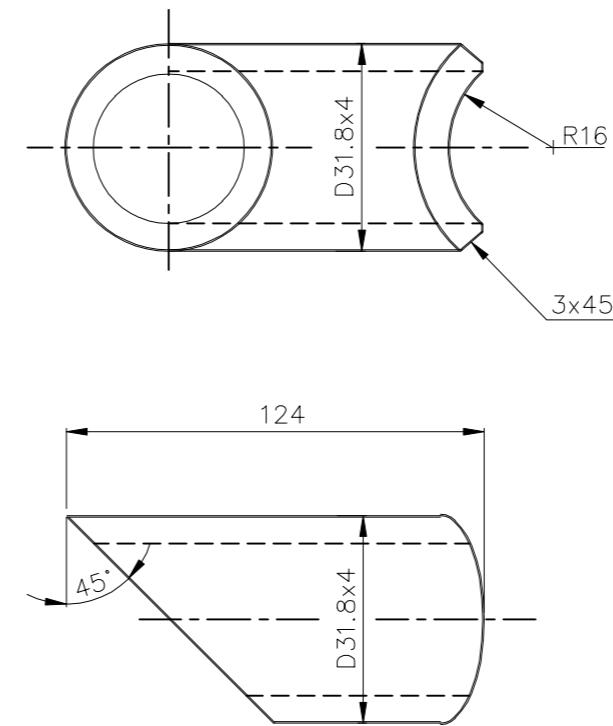
DRAWING NO: 2-04-116-U8070



DETAIL OF ITEM 01




SECTION-AA



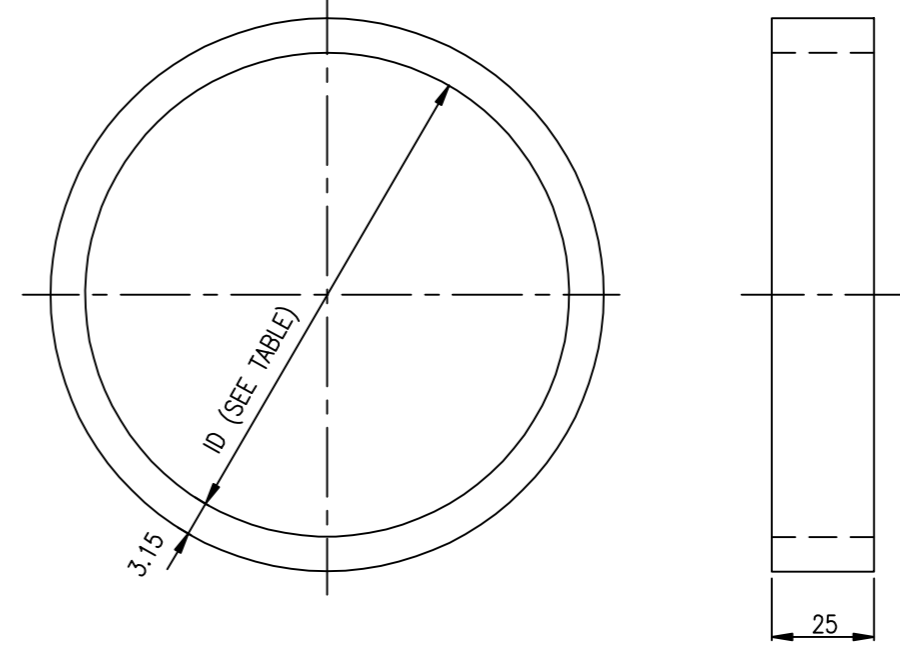
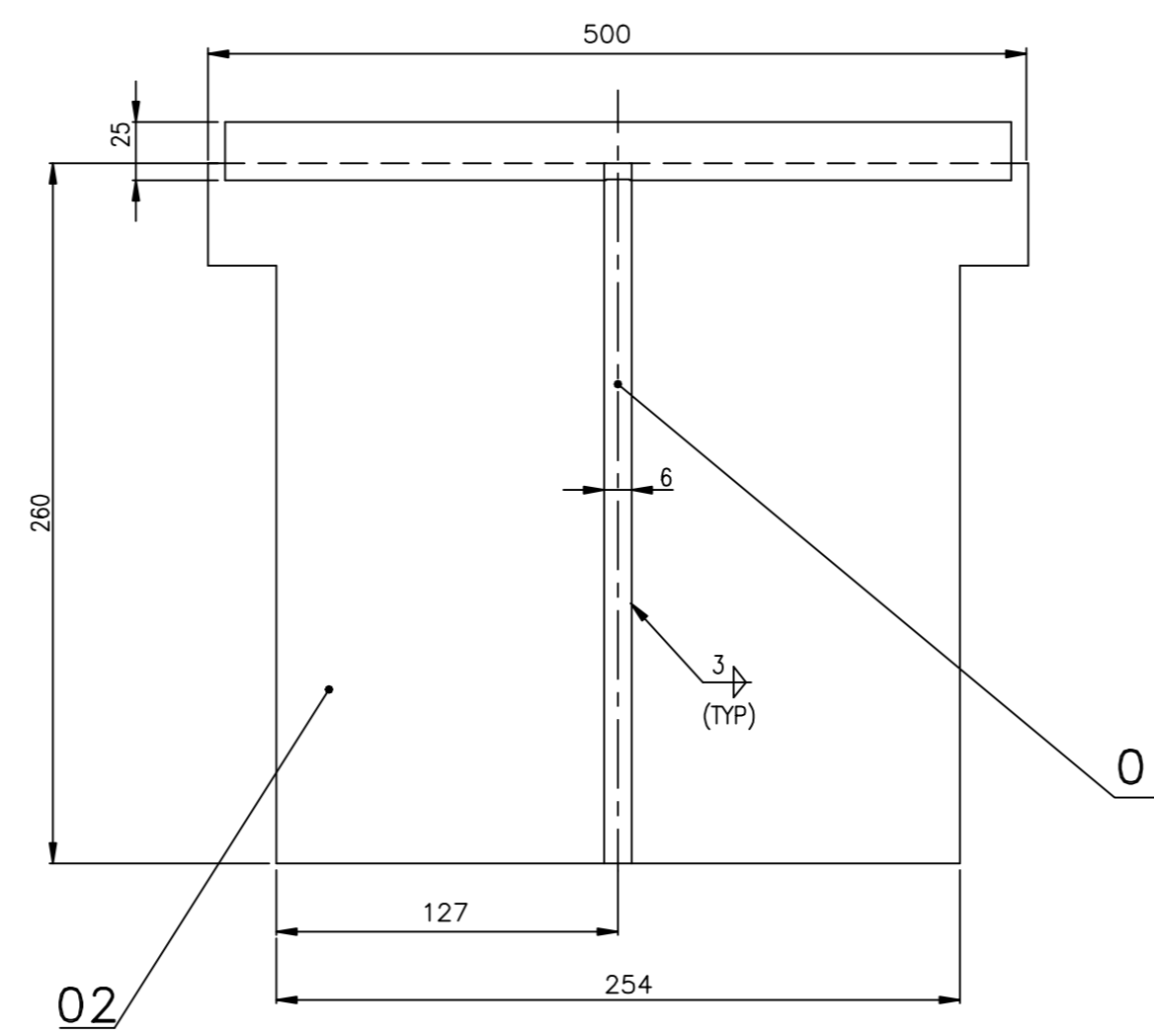
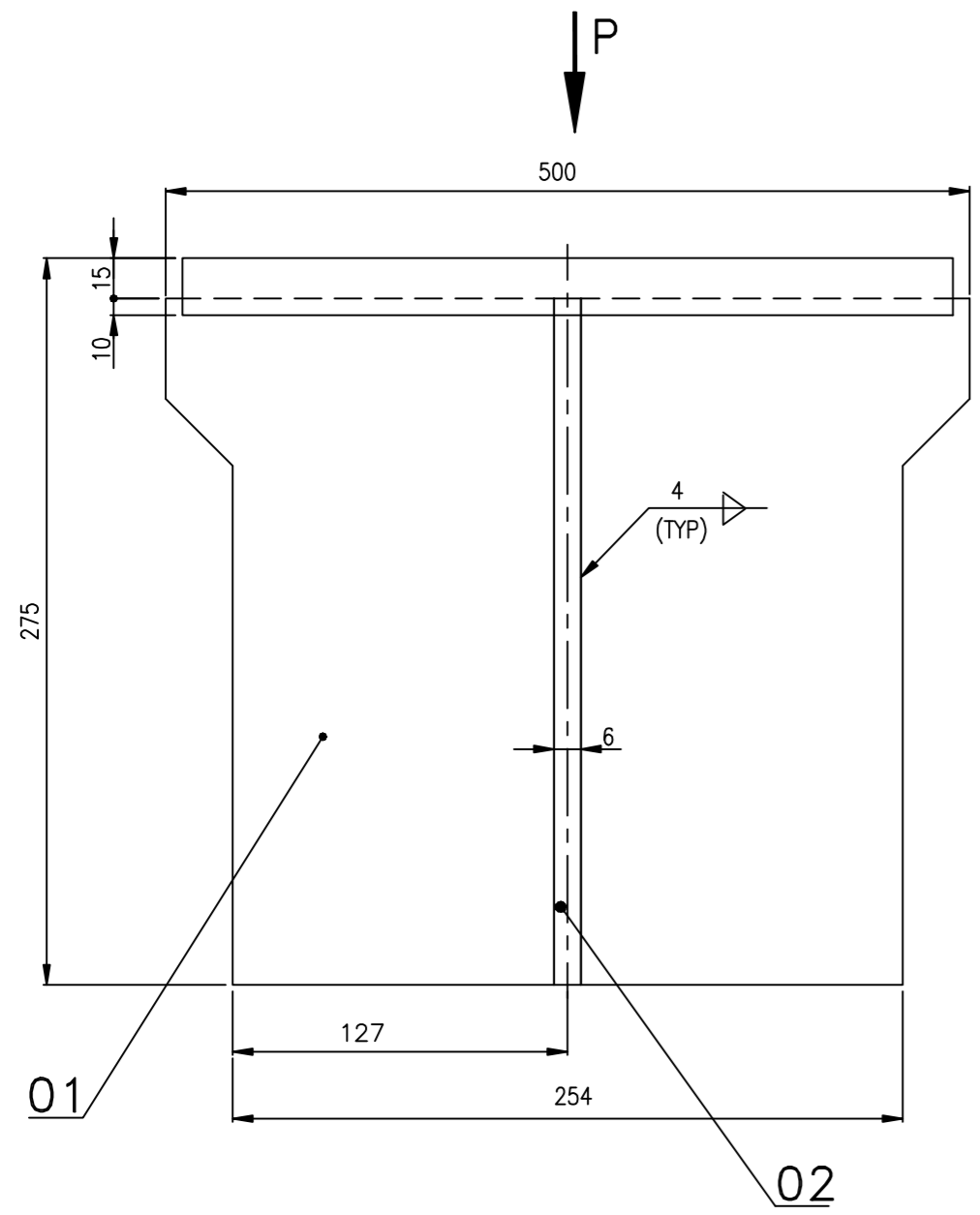
DETAILS OF ITEM 02

REV	DATE	ALTERED
		CHKD & APPD
ZONE		

VARIANT NUMBER	ITEM NUMBER	DESCRIPTION	STD	DRAWING NUMBER	ITEM NO	MATERIAL CODE	A/E/P	UNIT	UNIT WEIGHT	GS	ZONE
VAR NO						MATERIAL SPECN		D1	QUANTITY		
	04	SH 4 ; D25				15 011 334			0.015		
						IS1079 Fe330			2		
	03	TUBE D31.8x4 L=5650				15 607 519		C	15.490		
						SA213 TP347H			1		
	02	TUBE D31.8x4 L=124				15 607 519		C	0.340		
						SA213 TP347H			1		
	01	TUBE D31.8x4 L=10000				15 607 519		C	27.420		
						SA213 TP347H			1		

TYPE OF PRODUCT OR NAME OF CUSTOMER/PROJECT				NAME		DATE	
 <b>Bharat Heavy Electricals Ltd</b> UNIT: HEAVY PLATES AND VESSELS PLANT VISAKHAPATNAM - 530012				DRN	K.H.THOMAS	28.04.18	
				CHD	MVRP/GGR	28.04.18	
				APPD	Y.PRASANNA KUMAR	28.04.18	
DEPT	HT ENGG	ALL DIMENSIONS ARE IN MM	PROJECTION	SCALE	WEIGHT (Kg)	REF TO ASSY / OLD DWG	
320				N.T.S	43.280	2-04-116-81482	
TITLE						DRAWING NO :	
PHOSPHATE DOSING HEADER ASSY						2-04-116-U8070	
						REV	
						00	

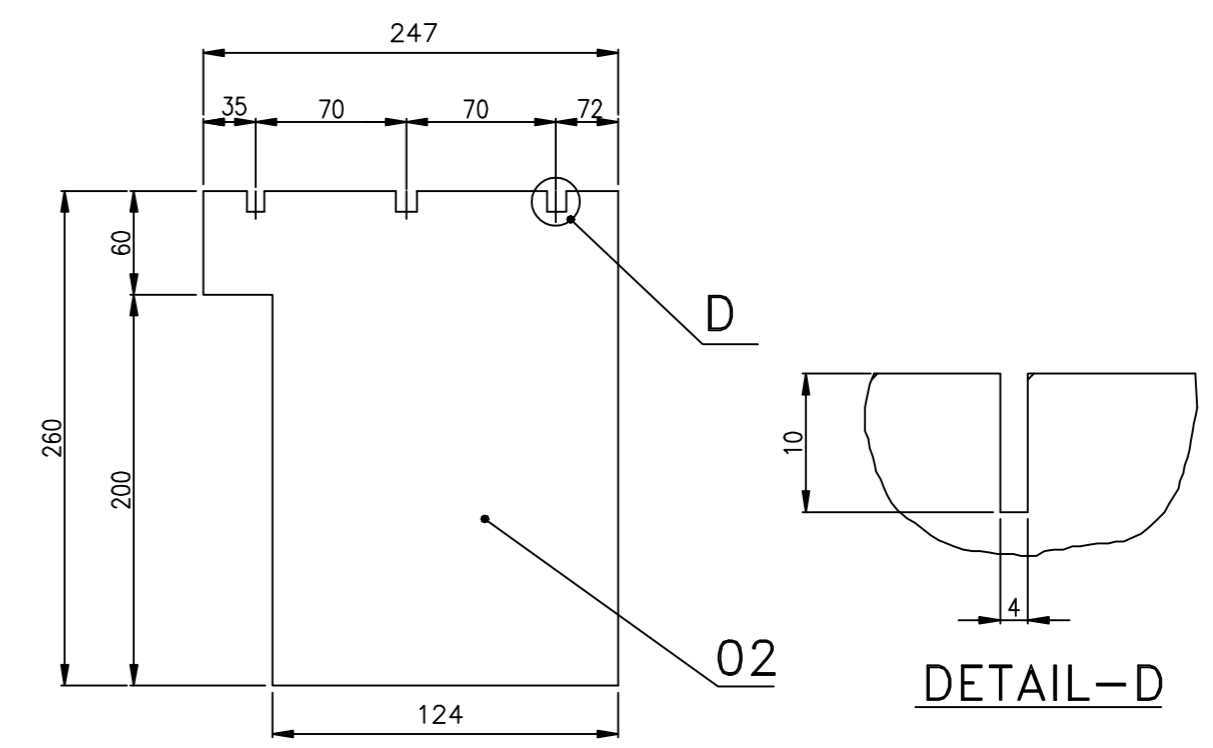
DRAWING NO: 2-04-116-U8071



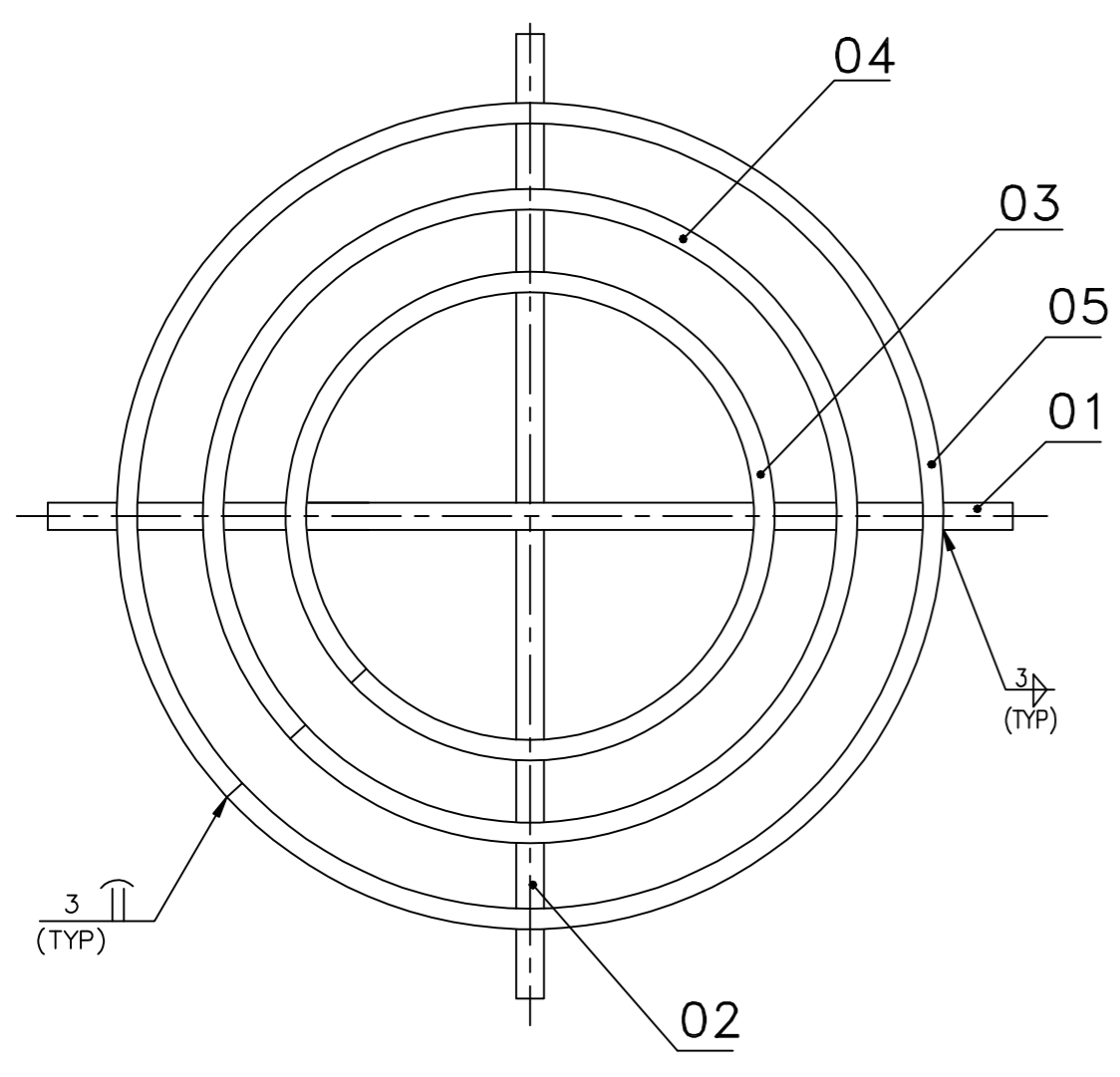
**TABLE**

ITEM NO.	ID
03	147
04	287
05	427

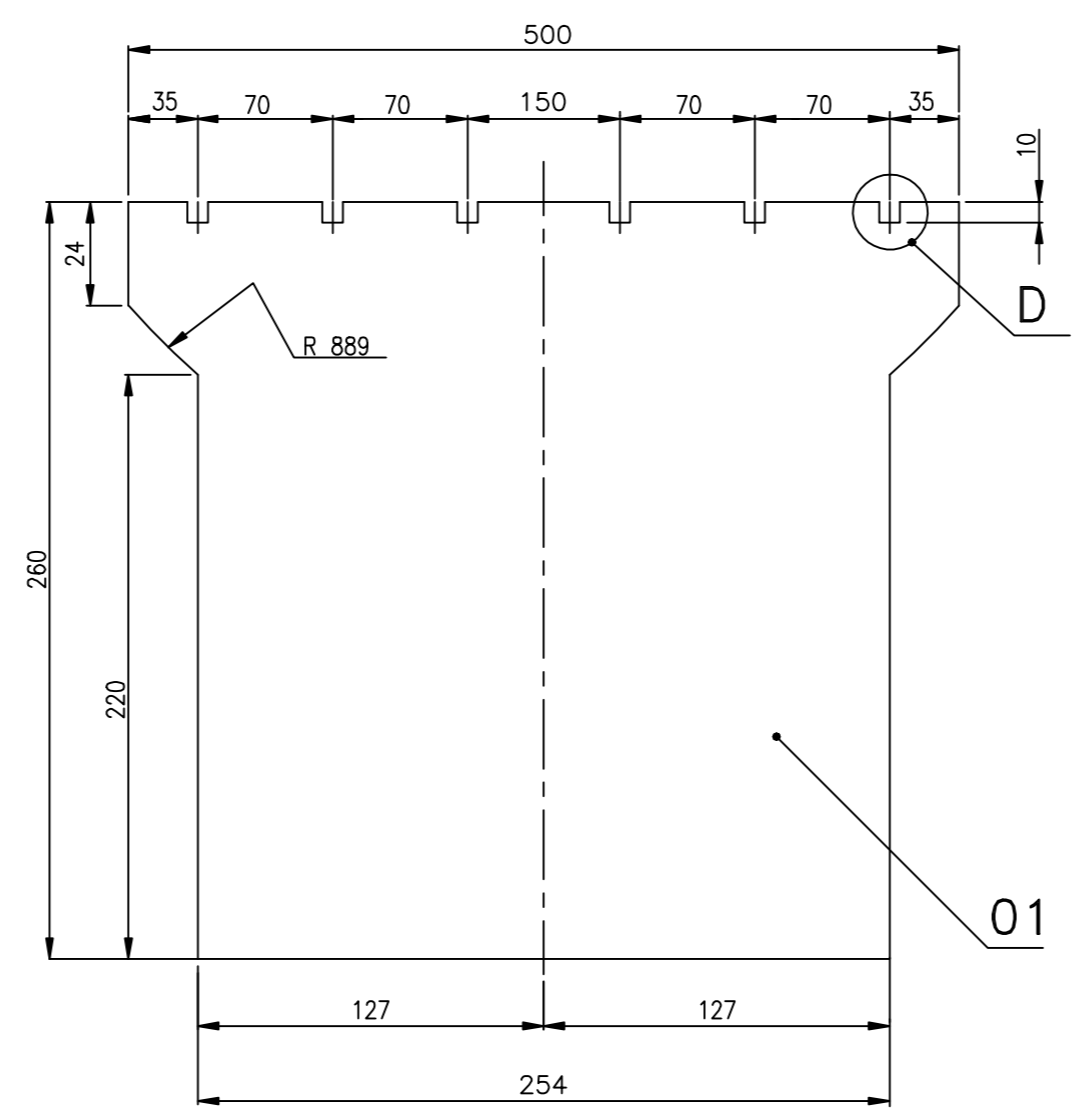
DETAIL OF ITEM NOS. 03 TO 05



DETAIL-D



VIEW-P



VARIANT NUMBER	ITEM NUMBER	DESCRIPTION	STD	DRAWING NUMBER	ITEM NO VAR NO	MATERIAL CODE MATERIAL SPECN	A/C UNIT D1	UNIT WEIGHT QUANTITY	GS	ZONE
	05	SH.3.15 X 25 X1351				15 011 182		0.830		
						IS 1079 D		1		
	04	SH.3.15 X 25 X 911				15 011 182		0.560		
						IS 1079 D		1		
	03	SH.3.15 X 25 X 472				15 011 182		0.290		
						IS 1079 D		1		
	02	PL.6 X247X260				15 211 092		2.400		
						IS2062Fe410A		2		
	01	PL.6 X260X500				15 211 092		5.000		
						IS2062Fe410A		1		

TYPE OF PRODUCT OR NAME OF CUSTOMER/PROJECT

**Bharat Heavy Electricals Ltd**  
UNIT: HEAVY PLATES AND VESSELS PLANT  
VISAKHAPATNAM - 530012

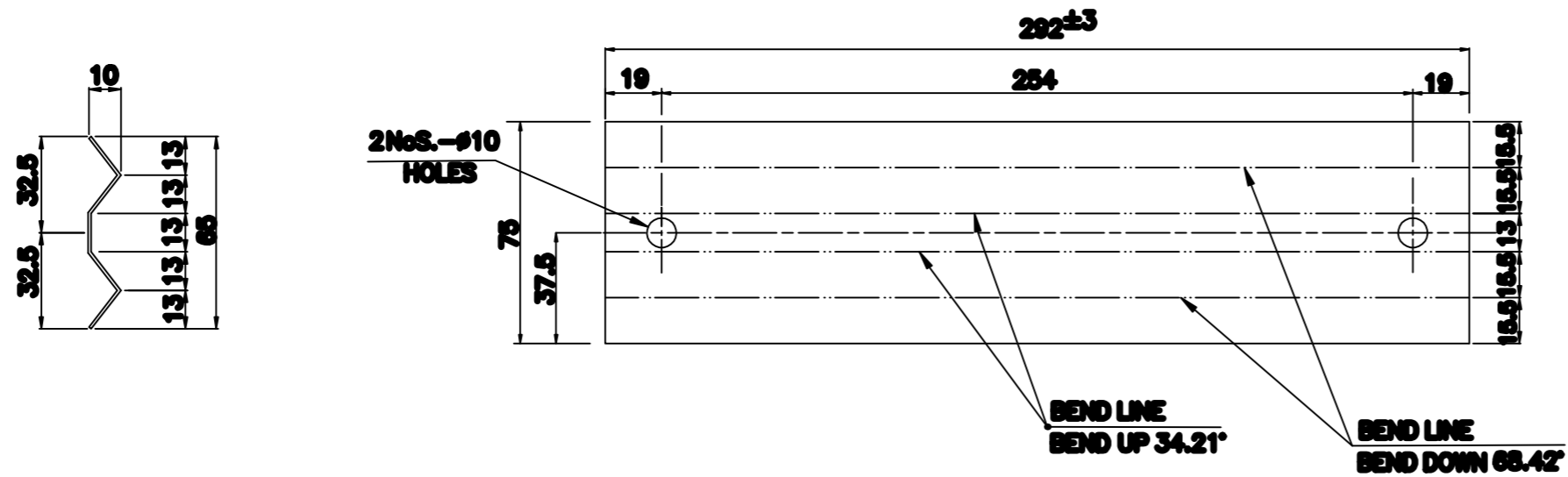
DRN	NAME	DATE
K.H.THOMAS		28.04.18
CHD	MVRP/GGR	28.04.18
APPD	Y.PRASANNA KUMAR	28.04.18

DEPT	ALL DIMENSIONS ARE IN MM	SCALE	WEIGHT (Kg)	REF TO ASSY / OLD DWG
HT ENGG		N.T.S	11.480	2-04-116-81483
CODE				DRAWING NO :
320				2-04-116-U8071
TITLE				REV
SPIDER PLATE ASSY				00

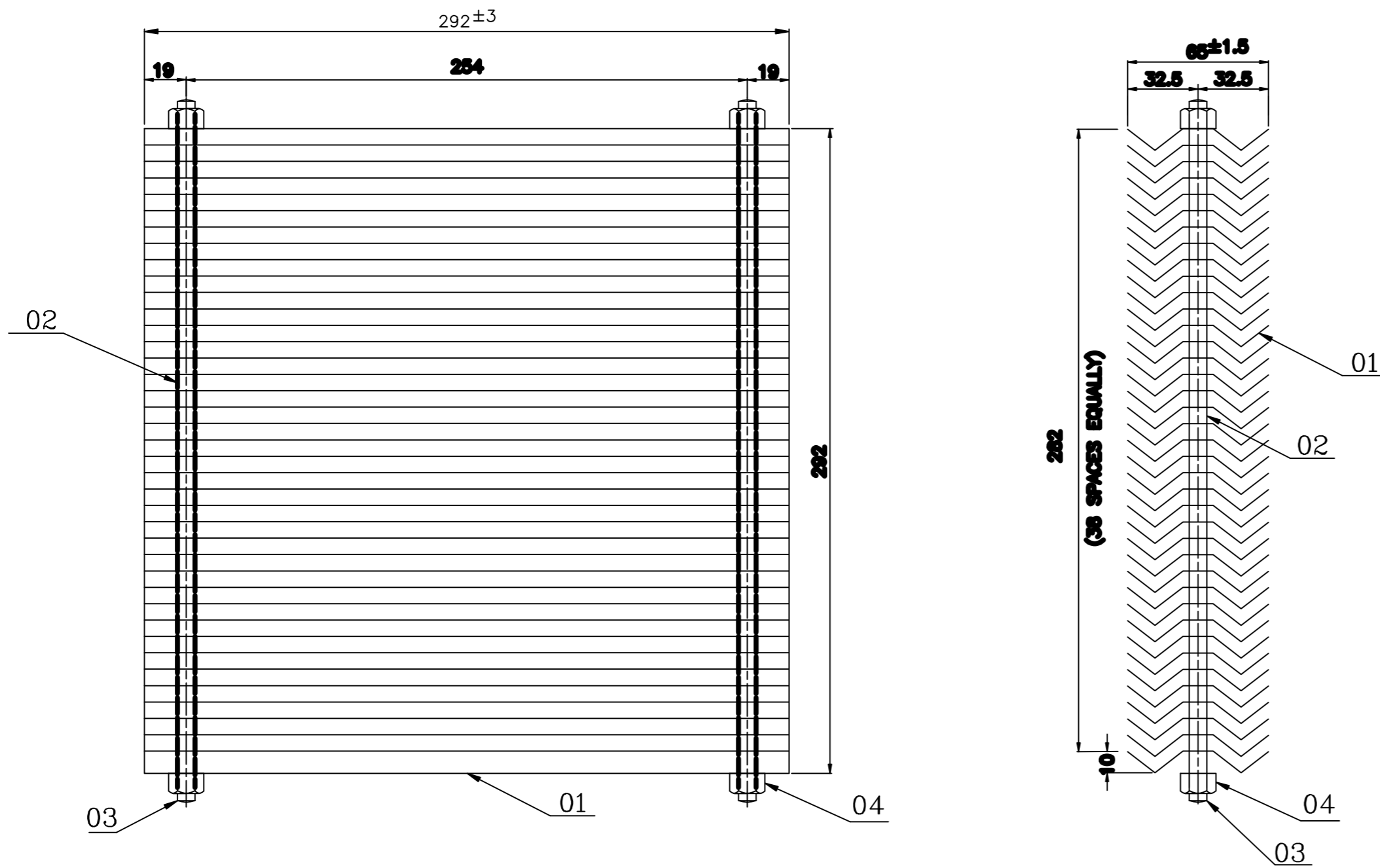
REV	DATE	ALTERED :
		CHECKED :

CAUTION: The information on this document is the property of BHARAT HEAVY ELECTRICALS LTD. It must not be used directly or indirectly in any way detrimental to the interest of the company.

DRAWING NO: 2-04-116-U8077



DEVELOPED LENGTH OF ITEM NO.1

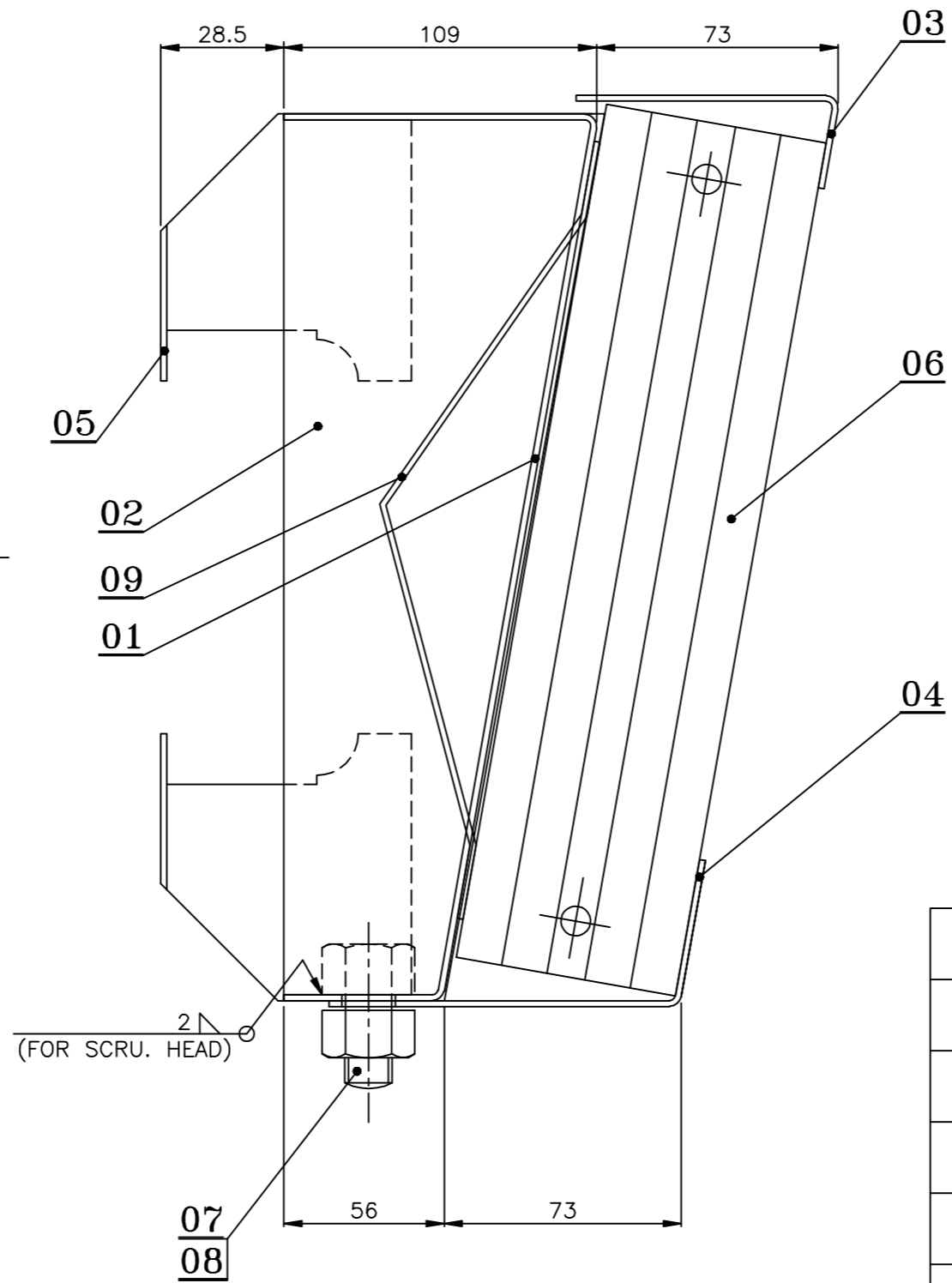
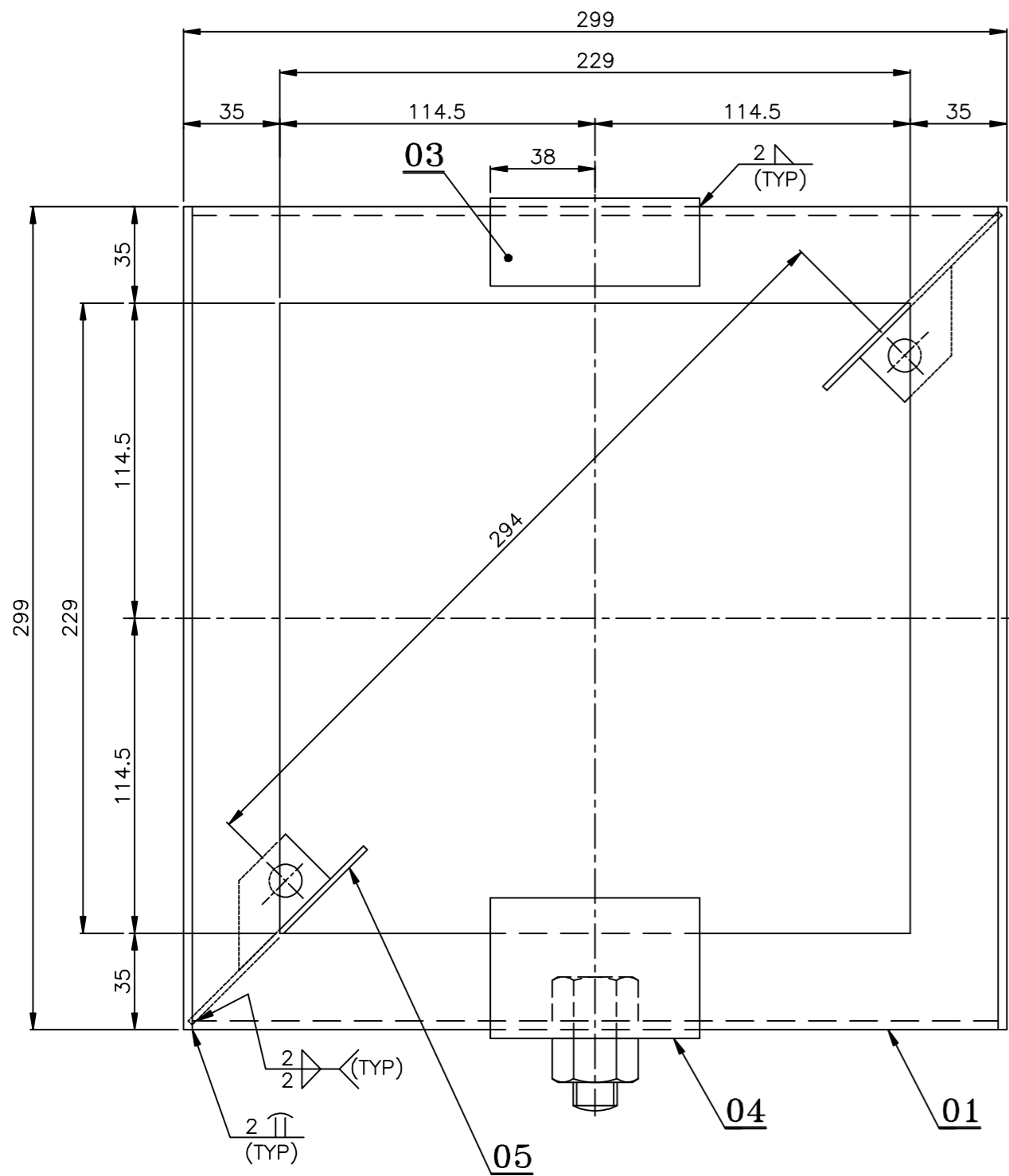


VARIANT NUMBER	ITEM NUMBER	DESCRIPTION	STD	DRAWING NUMBER	ITEM NO	MATERIAL CODE	A/C/P	UNIT	UNIT WEIGHT	GS	ZONE
VAR NO					VAR NO	MATERIAL SPECN	D1	QUANTITY			
	04	HEX. NUT M6 CL.4	S			41304 00006			0.003		
						IS1363P3			4		
	03	ROD D8; 305 LONG		4-04-116-U8189		15 001 197			0.120		
						IS2062GR.A			2		
	02	SLEEVE D14x2; 6 LONG				15 086 005	C		0.004		
						SA 210GR.A1			78		
	01	BENT SHEET SH.1; 75x292				15 011 182			0.172		
						IS513D			39		

TYPE OF PRODUCT OR NAME OF CUSTOMER/PROJECT				NAME		DATE	
<b>Bharat Heavy Electricals Ltd</b> UNIT: HEAVY PLATES AND VESSELS PLANT VISAKHAPATNAM - 530012				DRN	T.S.S.RAO	06.06.18	
				CHD	MVRP/GGR	06.06.18	
				APPD	Y.PRASANNA KUMAR	06.06.18	
DEPT	ALL DIMENSIONS ARE IN MM	PROJECTION	SCALE	WEIGHT (Kg)	REF TO ASSY / OLD DWG		
HTE			N.T.S	7.272	2-04-114-80164		
CODE	320				DRAWING NO : 2-04-116-U8077		
TITLE					REV		
SEPARATOR SCRUBBER ASSEMBLY					00		

REV	DATE	ALTERED
		CHKD & APPD
ZONE		

DRAWING NO: 2-04-116-U8078

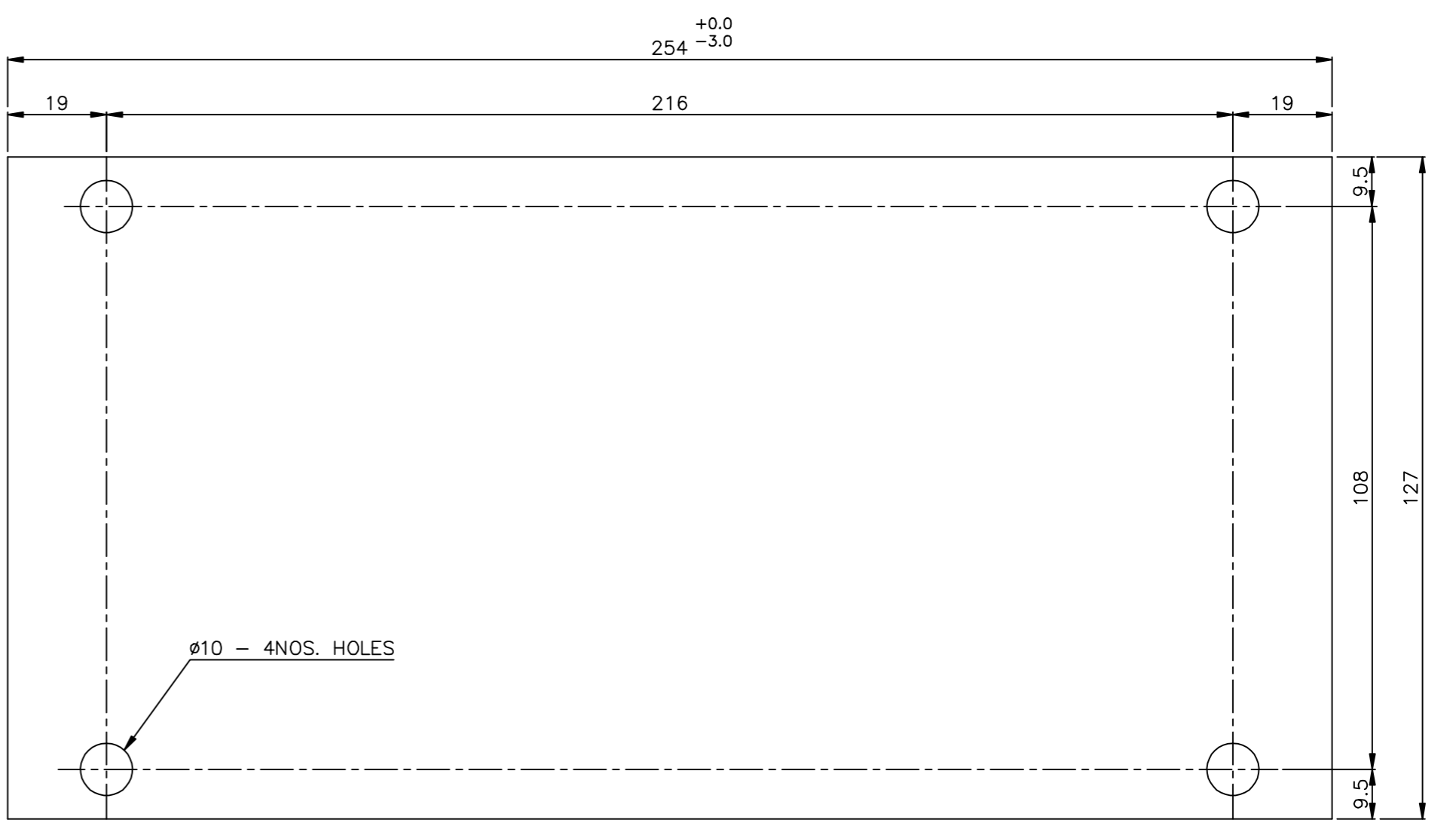
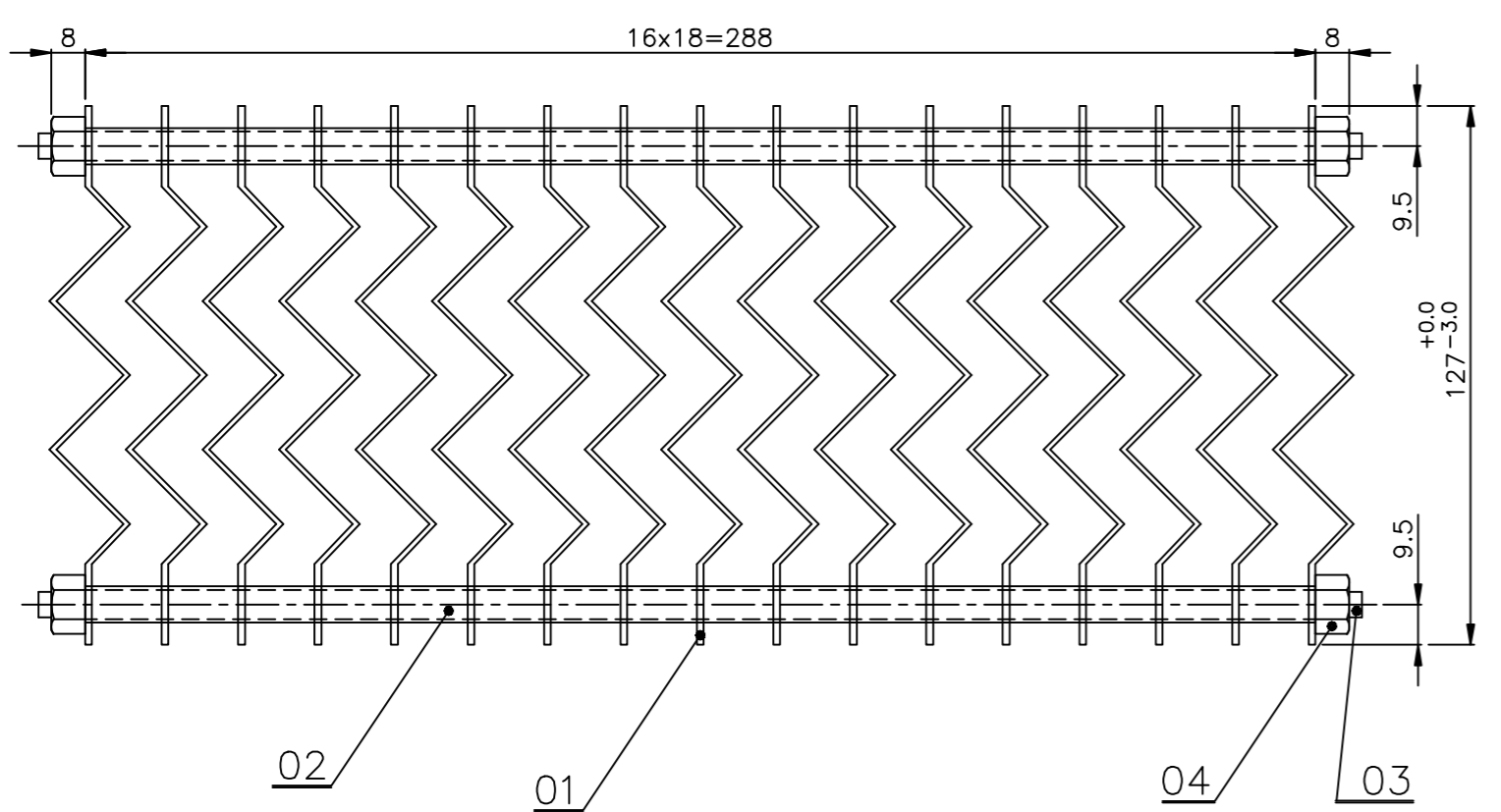
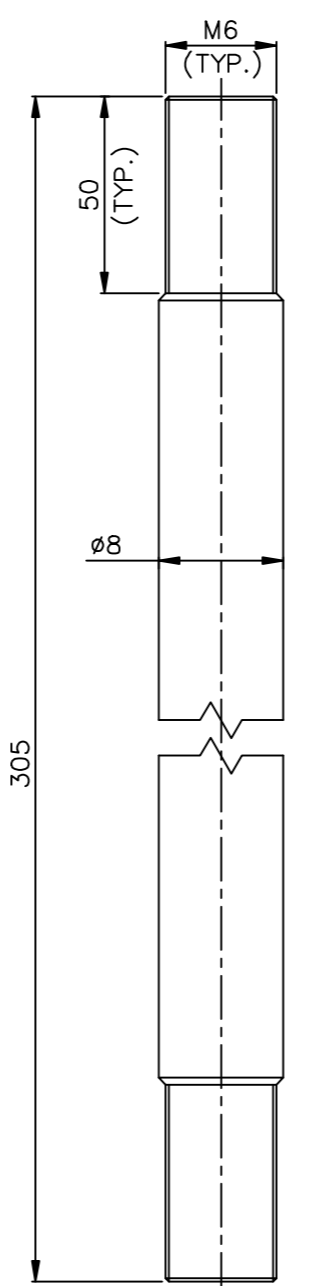
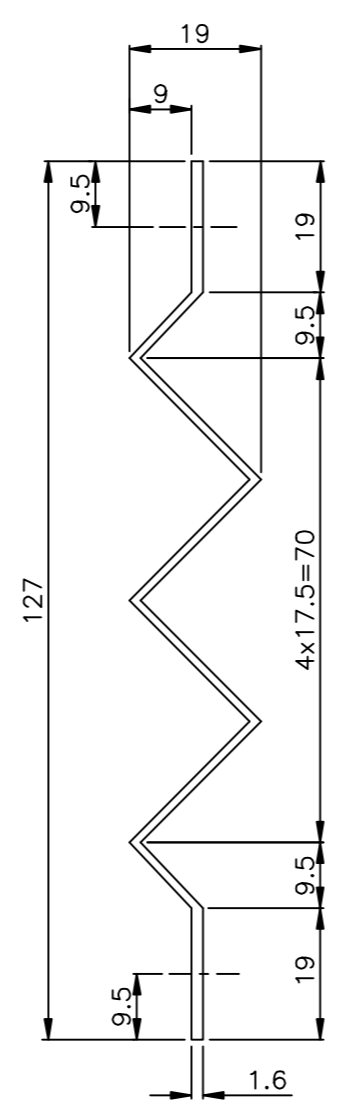
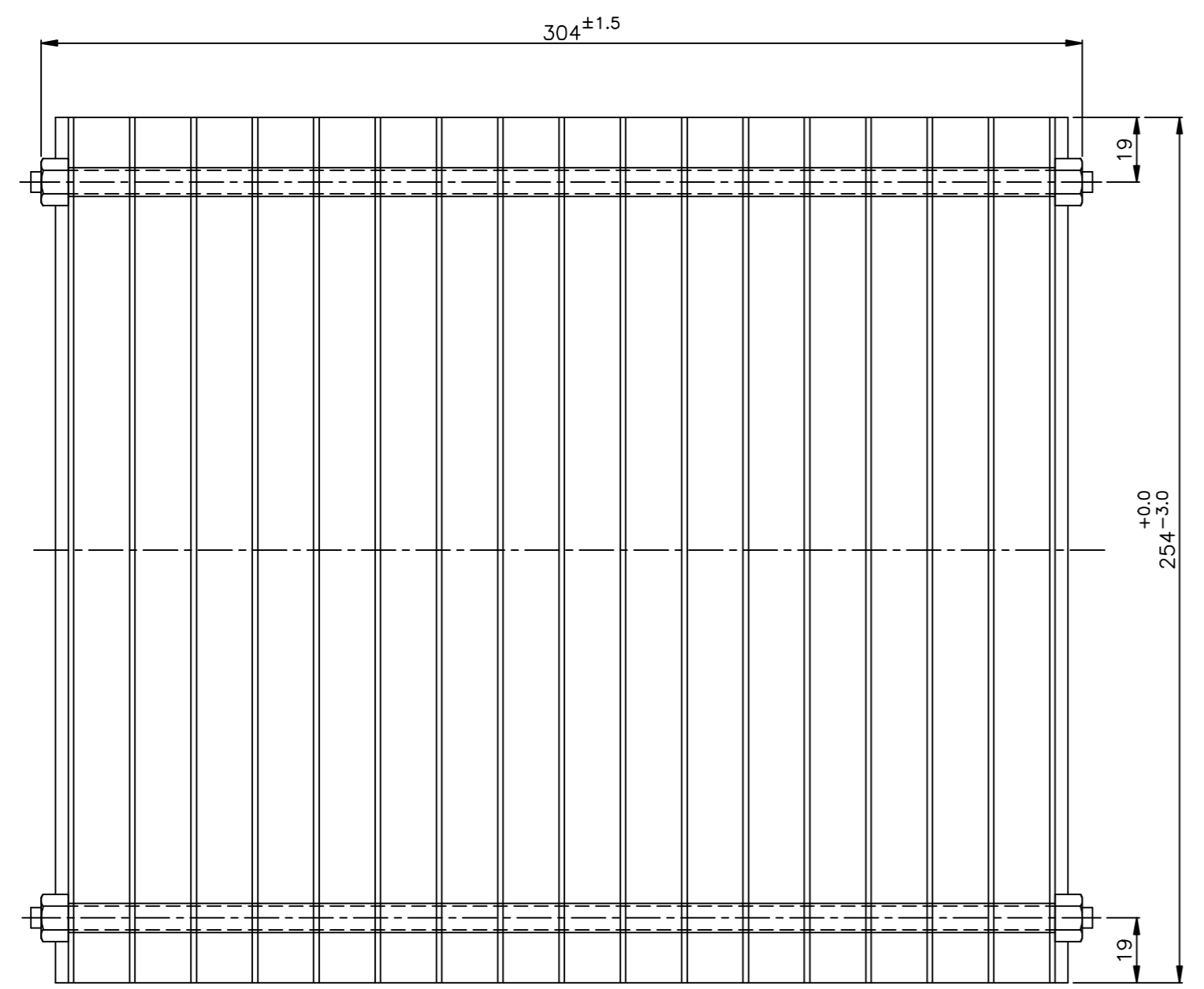


VARIANT NUMBER	ITEM NUMBER	DESCRIPTION	STD	DRAWING NUMBER	ITEM NO	MATERIAL CODE	A/C/P	UNIT	UNIT WEIGHT	GS	ZONE
					VAR NO	MATERIAL SPECN	D1	QUANTITY			
	09	PERFORATED PYRAMID		3-04-116-U8208		15 011 104 IS 1079D			1.000 1		
	08	NUT HEX. Gr.C M16	S			41304 00016 IS 1363 P3 CL.4			0.030 1		
	07	SCRU. HEX. Gr.C M16 X 25	S			41222 16025 IS 1363 P3 CL.4.6			0.071 1		
	06	SEPARATOR SCR. ASSY.		2-04-116-U8077		15 011 104 IS 1079D			7.272 1		
	05	SUPPORT PLATE		3-04-116-U8207		15 011 104 IS 1079D			0.100 2		
	04	FRONT ADJUSTABLE CLIP		4-04-116-U8195		15 011 104 IS 1079D			0.190 1		
	03	REAR CLIP		4-04-116-U8194		15 011 104 IS 1079D			0.145 1		
	02	SIDE PLATE		4-04-116-U8193		15 011 104 IS 1079D			0.500 2		
	01	PLATE		3-04-116-U8206		15 011 104 IS 1079D			2.200 1		

<p>CAUTION: The information on this document is the property of BHARAT HEAVY ELECTRICALS LTD. It must not be used directly or indirectly in any way detrimental to the interest of the company.</p>	TYPE OF PRODUCT OR NAME OF CUSTOMER/PROJECT		NAME		DATE
	<p><b>Bharat Heavy Electricals Ltd</b> UNIT: HEAVY PLATES AND VESSELS PLANT VISAKHAPATNAM - 530012 361-319</p>		DRW	T.S.S.RAO	06.06.18
			CHD	G.GNANANANDA RAO	06.06.18
			APPD	Y.PRASANNAKUMAR	06.06.18
DEPT	HT ENGG	ALL DIMENSIONS ARE IN MM	PROJECTION	SCALE	WEIGHT (Kg)
320				N.T.S	12.108
REF TO ASSY / OLD DWG				2-04-114-80235	
TITLE				DRAWING NO :	
SEPARATOR SCRUBBER BOX ASSY.				2-04-116-U8078	
				REV	00

REV	DATE	ALTERED
		CHKD & APPD
ZONE		

DRAWING NO: 2-04-116-U8079



DETAILS OF ITEM 01

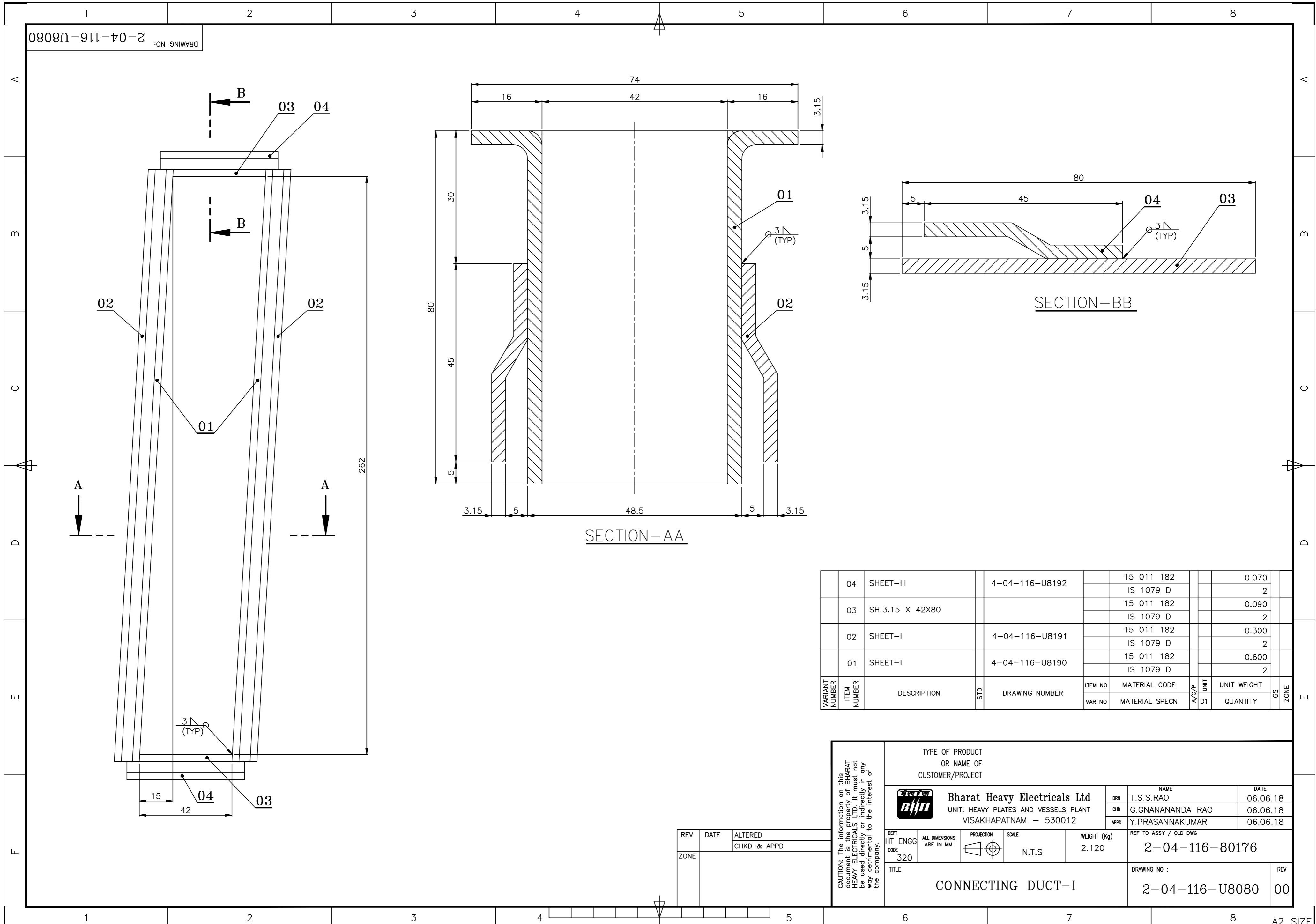
DETAILS OF ITEM 03

VARIANT NUMBER	ITEM NUMBER	DESCRIPTION	STD	DRAWING NUMBER	ITEM NO	MATERIAL CODE	A/C/P	UNIT	UNIT WEIGHT	GS	ZONE
VAR NO						MATERIAL SPECN		D1	QUANTITY		
04		HEX. NUT M6 CL.4				41304 00006			0.003		
						IS 1363 P3 CL.4			8		
03		ROUND D8; L=305				15 004 197			0.120		
						IS 2062 Gr.A			4		
02		TUBE D14 x 2 L=16.25				15 086 005		C	0.011		
						SA210 GR.A1			64		
01		SH. 1.6 x 162 x 254				15 011 076			0.520		
						IS 513D			17		

TYPE OF PRODUCT OR NAME OF CUSTOMER/PROJECT				NAME		DATE	
<b>Bharat Heavy Electricals Ltd</b> UNIT: HEAVY PLATES AND VESSELS PLANT VISAKHAPATNAM - 530012 361-319				DRN	K.H.THOMAS	07.06.18	
				CHD	MVRP/GGR	07.06.18	
				APPD	Y.PRASANNA KUMAR	07.06.18	
DEPT	HT ENGG	ALL DIMENSIONS ARE IN MM	PROJECTION	SCALE	WEIGHT (Kg)	REF TO ASSY / OLD DWG	
320				N.T.S	10.048	2-04-114-80310	
TITLE						DRAWING NO :	
FINAL SCRUBBER ASSEMBLY (10")						2-04-116-U8079	
						REV	
						00	

REV	DATE	ALTERED
		CHKD & APPD
ZONE		

DRAWING NO: 2-04-116-U8080

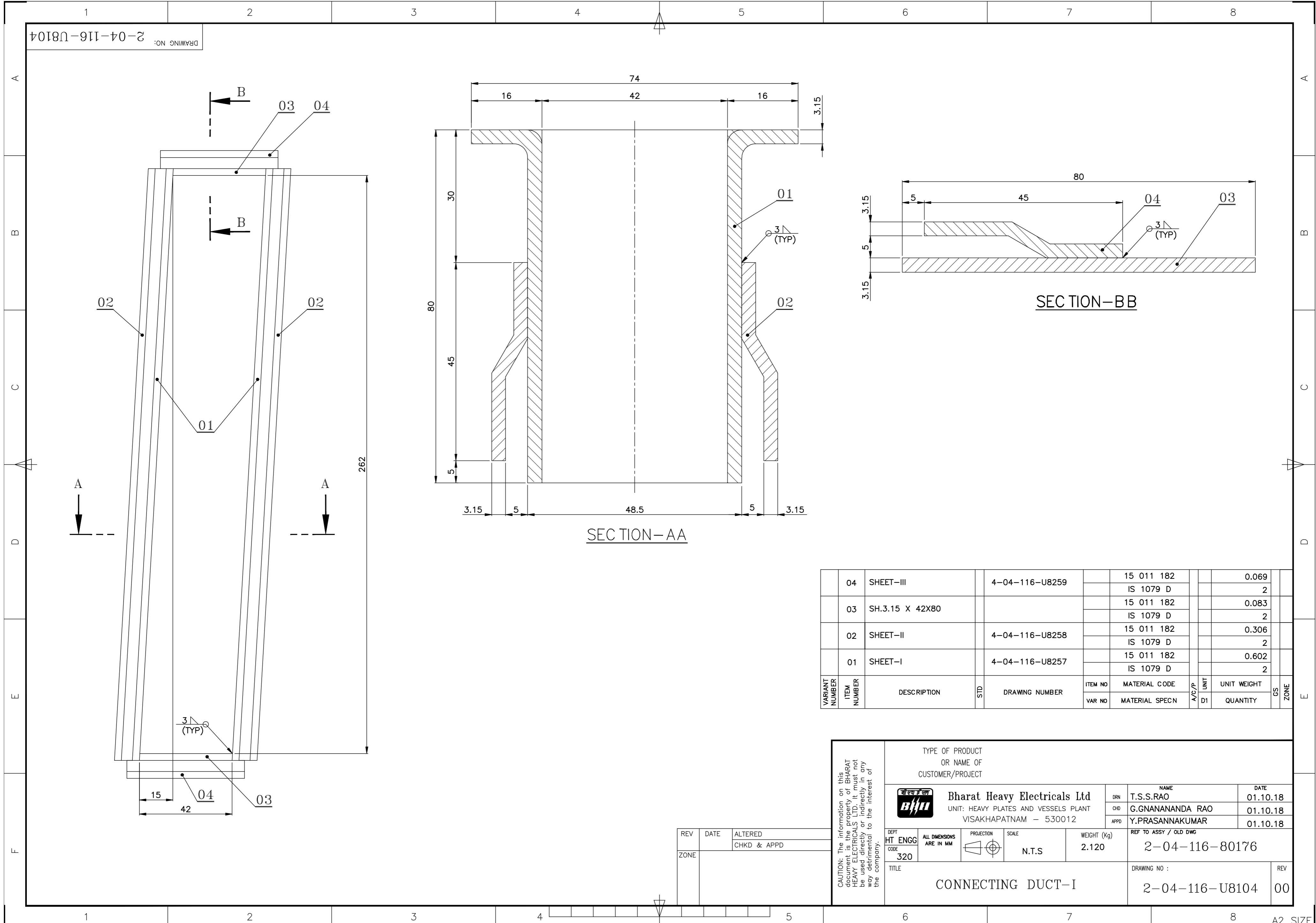


VARIANT NUMBER	ITEM NUMBER	DESCRIPTION	STD	DRAWING NUMBER	ITEM NO	MATERIAL CODE	A/C/P	UNIT	UNIT WEIGHT	GS	ZONE
					VAR NO	MATERIAL SPECN	D1	QUANTITY			
	04	SHEET-III		4-04-116-U8192		15 011 182		0.070			
						IS 1079 D		2			
	03	SH.3.15 X 42X80				15 011 182		0.090			
						IS 1079 D		2			
	02	SHEET-II		4-04-116-U8191		15 011 182		0.300			
						IS 1079 D		2			
	01	SHEET-I		4-04-116-U8190		15 011 182		0.600			
						IS 1079 D		2			

CAUTION: The information on this document is the property of BHARAT HEAVY ELECTRICALS LTD. It must not be used directly or indirectly in any way detrimental to the interest of the company.				TYPE OF PRODUCT OR NAME OF CUSTOMER/PROJECT				NAME		DATE		
				Bharat Heavy Electricals Ltd UNIT: HEAVY PLATES AND VESSELS PLANT VISAKHAPATNAM - 530012				DRN	T.S.S.RAO		06.06.18	
								CHD	G.GNANANANDA RAO		06.06.18	
				APPD	Y.PRASANNAKUMAR		06.06.18					
DEPT HT ENGG		ALL DIMENSIONS ARE IN MM		PROJECTION	SCALE	WEIGHT (Kg)		REF TO ASSY / OLD DWG				
CODE 320					N.T.S	2.120		2-04-116-80176				
TITLE								DRAWING NO :		REV		
CONNECTING DUCT-I								2-04-116-U8080		00		

REV	DATE	ALTERED
		CHKD & APPD
ZONE		

DRAWING NO.: 2-04-116-U8104

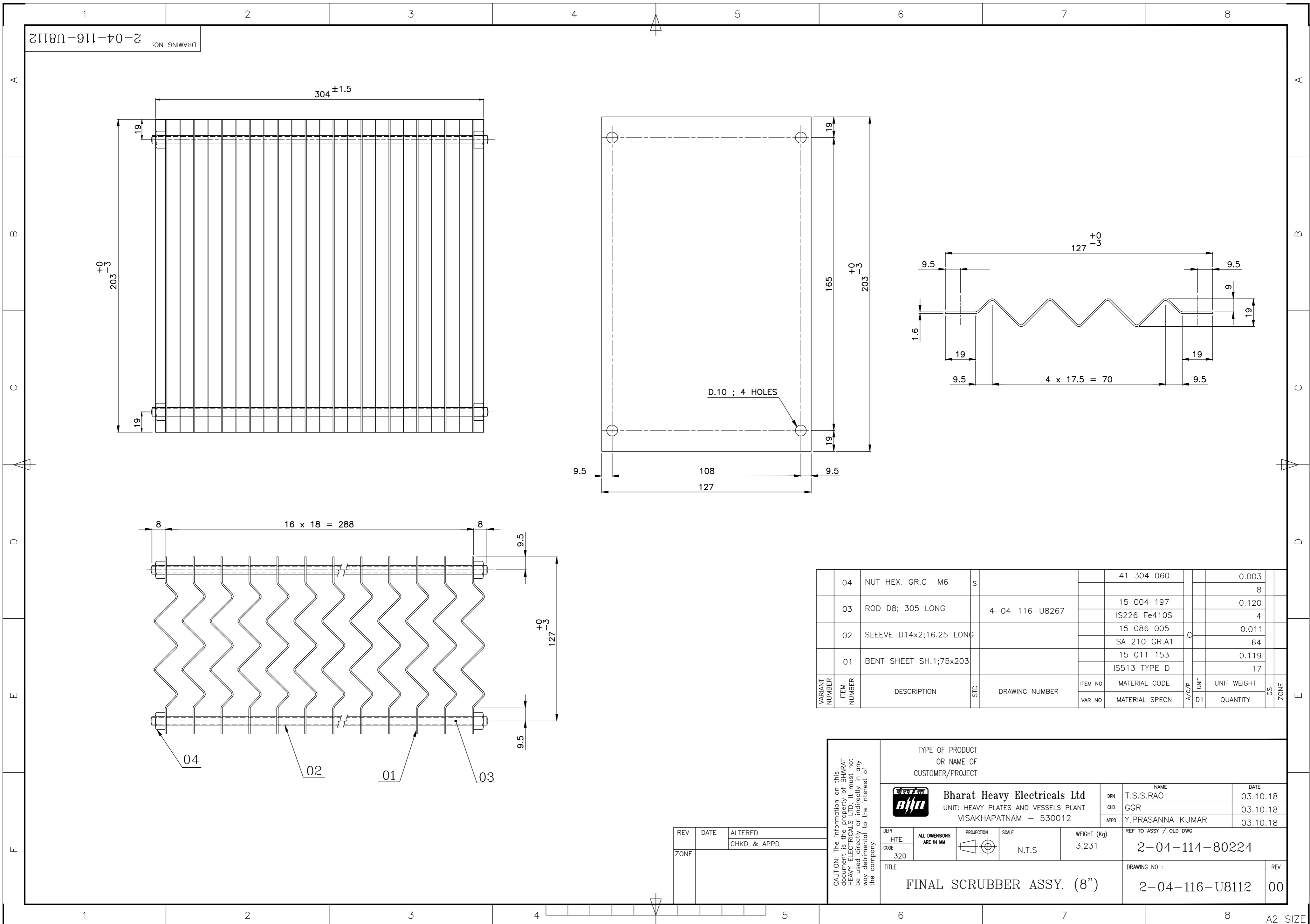


VARIANT NUMBER	ITEM NUMBER	DESCRIPTION	STD	DRAWING NUMBER	ITEM NO	MATERIAL CODE	A/C/P	UNIT	UNIT WEIGHT	GS	ZONE
					VAR NO	MATERIAL SPECN	D1	QUANTITY			
04	SHEET-III			4-04-116-U8259		15 011 182		0.069			
						IS 1079 D		2			
03	SH.3.15 X 42X80					15 011 182		0.083			
						IS 1079 D		2			
02	SHEET-II			4-04-116-U8258		15 011 182		0.306			
						IS 1079 D		2			
01	SHEET-I			4-04-116-U8257		15 011 182		0.602			
						IS 1079 D		2			

<p>CAUTION: The information on this document is the property of BHARAT HEAVY ELECTRICALS LTD. It must not be used directly or indirectly in any way detrimental to the interest of the company.</p>		TYPE OF PRODUCT OR NAME OF CUSTOMER/PROJECT				NAME		DATE		
		<p><b>Bharat Heavy Electricals Ltd</b>                  UNIT: HEAVY PLATES AND VESSELS PLANT                  VISAKHAPATNAM - 530012</p>				DRN	T.S.S.RAO		01.10.18	
						CHD	G.GNANANANDA RAO		01.10.18	
						APPD	Y.PRASANNAKUMAR		01.10.18	
DEPT	HT ENGG	ALL DIMENSIONS ARE IN MM	PROJECTION	SCALE	WEIGHT (Kg)	REF TO ASSY / OLD DWG				
CODE	320			N.T.S	2.120	2-04-116-80176				
TITLE						DRAWING NO :		REV		
CONNECTING DUCT-I						2-04-116-U8104		00		

REV	DATE	ALTERED
		CHKD & APPD
ZONE		





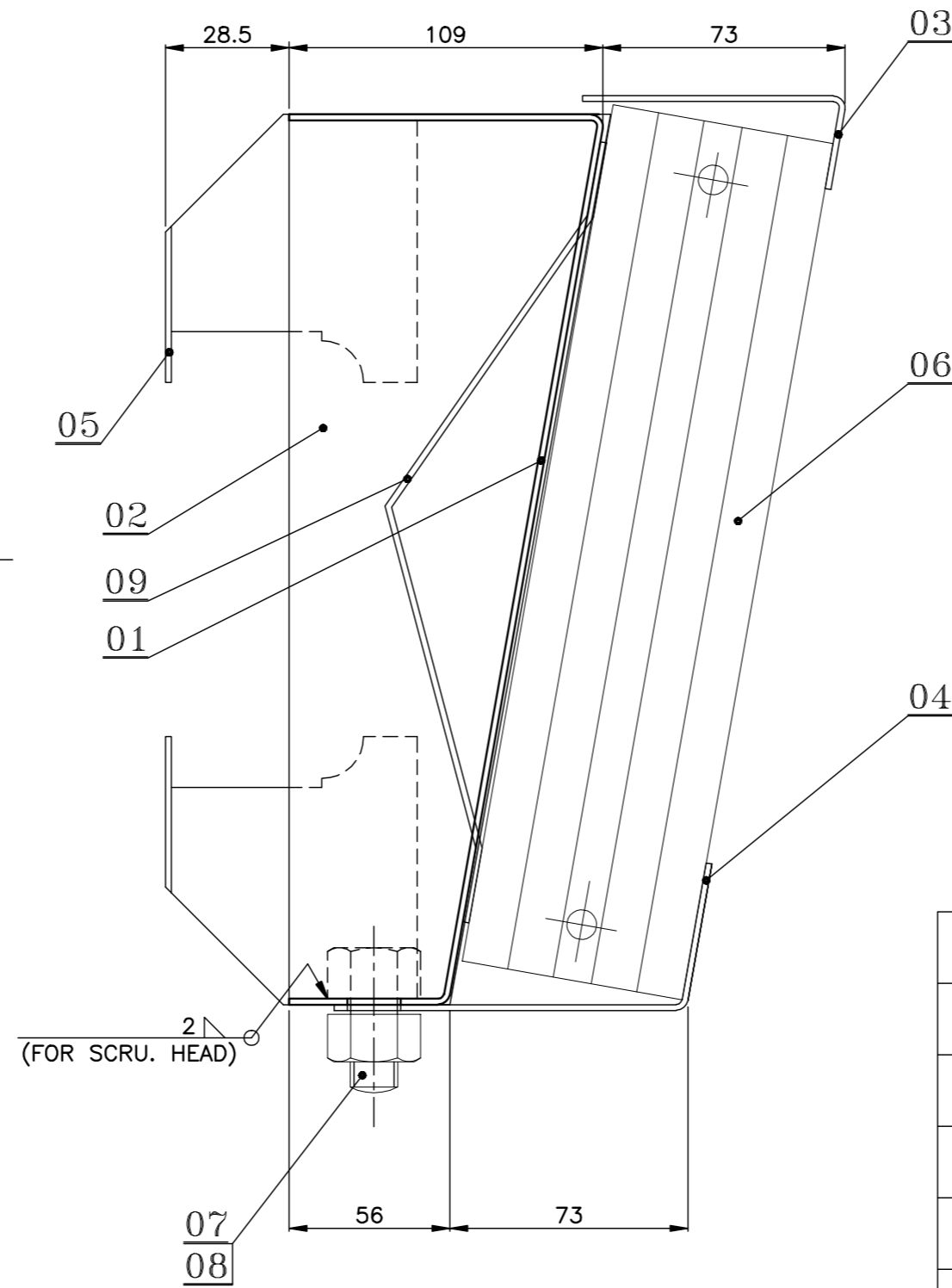
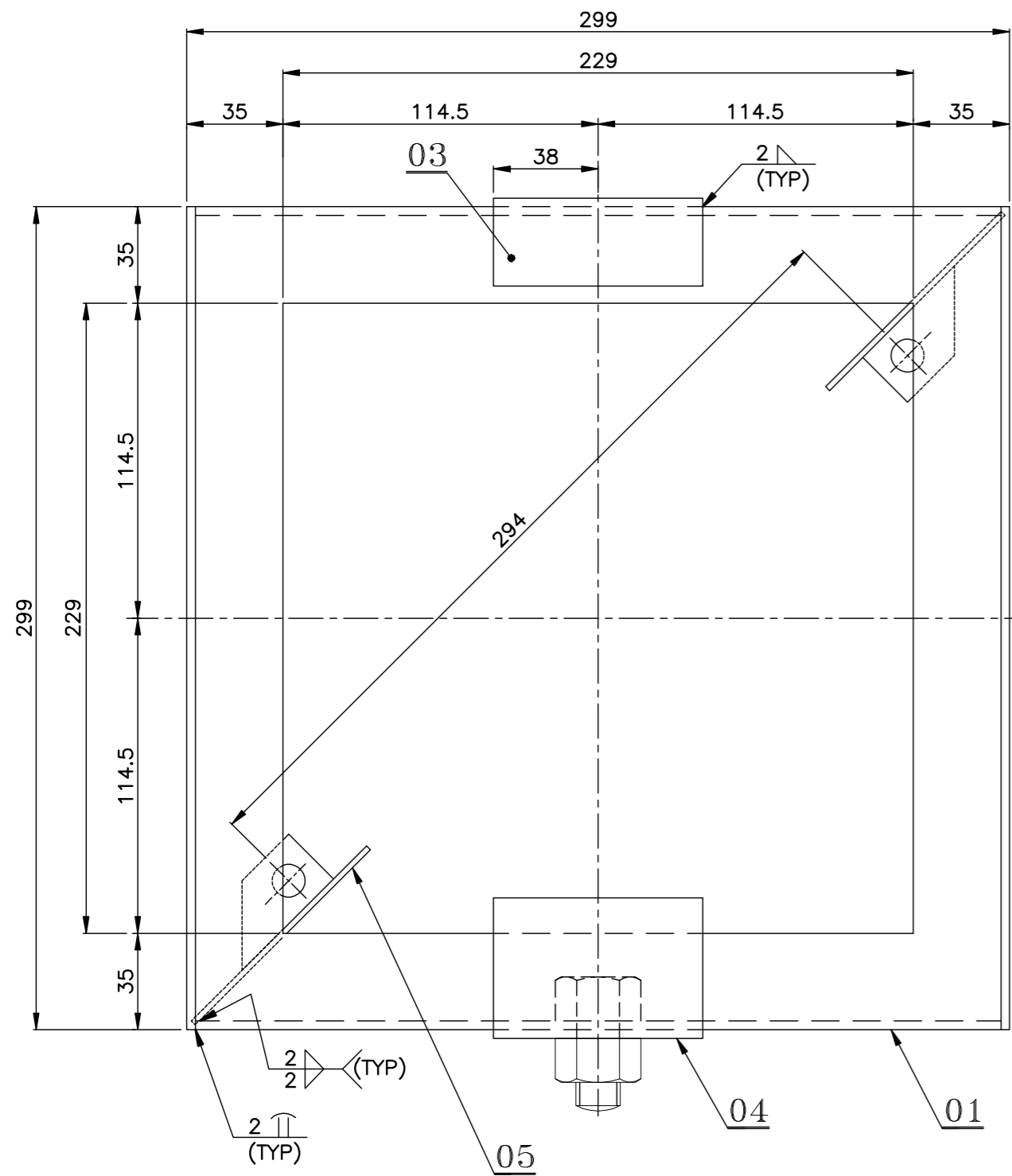
DRAWING NO: 2-04-116-U8112

VARIANT NUMBER	ITEM NUMBER	DESCRIPTION	STD	DRAWING NUMBER	ITEM NO	MATERIAL CODE	A/C/P	UNIT	UNIT WEIGHT	GS	ZONE
VAR NO	MATERIAL SPECN	QUANTITY					D1				
	04	NUT HEX. GR.C M6	S			41 304 060			0.003		
	03	ROD D8; 305 LONG		4-04-116-U8267		15 004 197			0.120		
	02	SLEEVE D14x2;16.25 LONG				IS226 Fe410S			4		
	01	BENT SHEET SH.1;75x203				15 086 005	C		0.011		
						SA 210 GR.A1			64		
						15 011 153			0.119		
						IS513 TYPE D			17		

<b>CAUTION:</b> The information on this document is the property of BHARAT HEAVY ELECTRICALS LTD. It must not be used directly or indirectly in any way detrimental to the interest of the company.		TYPE OF PRODUCT OR NAME OF CUSTOMER/PROJECT				NAME		DATE	
		<b>Bharat Heavy Electricals Ltd</b> UNIT: HEAVY PLATES AND VESSELS PLANT VISAKHAPATNAM - 530012		DRN	T.S.S.RAO		03.10.18		
				CHD	GGR		03.10.18		
DEPT HTE		ALL DIMENSIONS ARE IN MM		PROJECTION	SCALE	WEIGHT (Kg)	REF TO ASSY / OLD DWG		
CODE 320					N.T.S	3.231	2-04-114-80224		
TITLE							DRAWING NO :		REV
FINAL SCRUBBER ASSY. (8'')							2-04-116-U8112		00

REV	DATE	ALTERED
		CHKD & APPD
ZONE		

DRAWING NO: 2-04-116-U8113

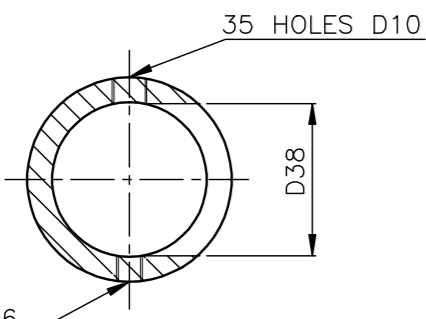
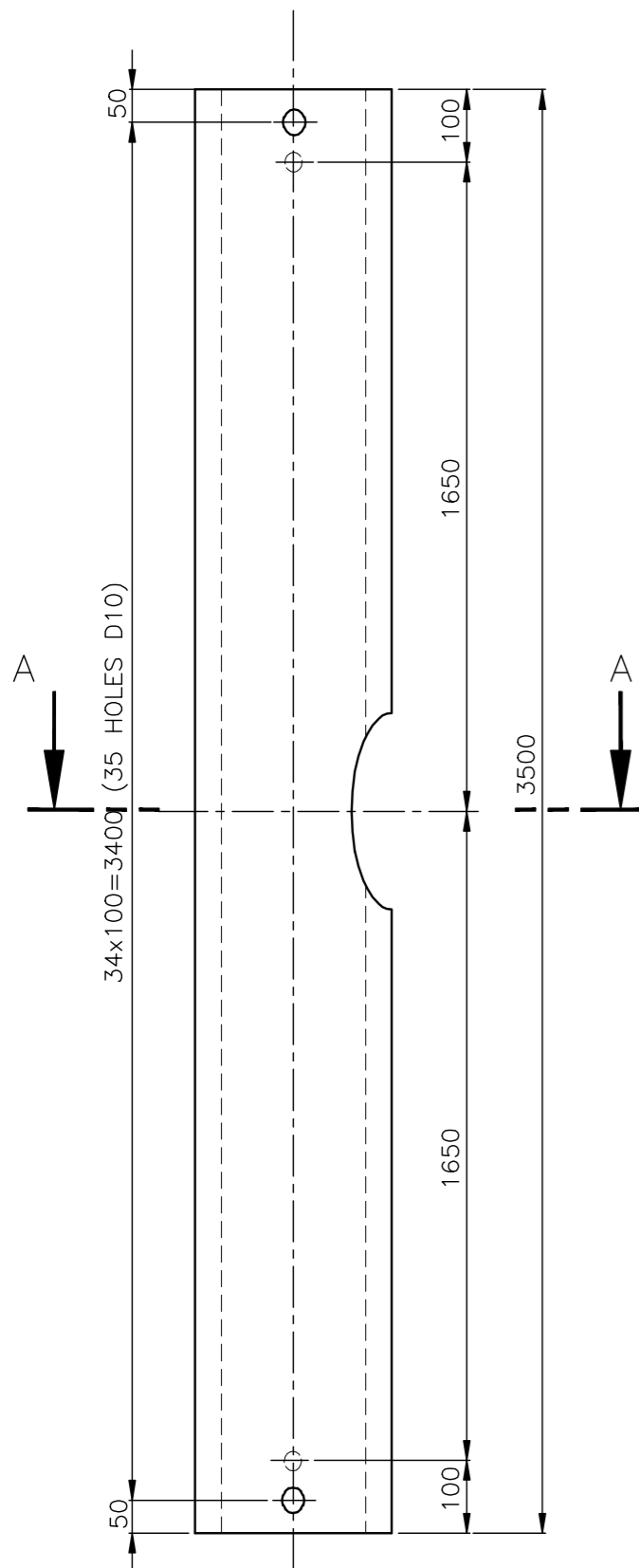


VARIANT NUMBER	ITEM NUMBER	DESCRIPTION	STD	DRAWING NUMBER	ITEM NO	MATERIAL CODE	A/C/P	UNIT	UNIT WEIGHT	GS	ZONE
					VAR NO	MATERIAL SPECN	D1	QUANTITY			
	09	PERFORATED PYRAMID		3-04-116-U8272		15 011 104			1.249		
						IS 1079D			1		
	08	NUT HEX. Gr.C M16	S			41304 00016			0.030		
						IS 1363 P3 CL.4			1		
	07	SCRU. HEX. Gr.C M16 X 25	S			41222 16025			0.071		
									1		
	06	SEPARATOR SCR. ASSY.		2-04-116-U8077		WELDMENT			7.272		
						IS 1079D			1		
	05	SUPPORT PLATE		3-04-116-U8271		15 011 104			0.133		
						IS 1079D			2		
	04	FRONT ADJUSTABLE CLIP		4-04-116-U8266		15 011 104			0.200		
						IS 1079D			1		
	03	REAR CLIP		4-04-116-U8265		15 011 104			0.144		
						IS 1079D			1		
	02	SIDE PLATE		4-04-116-U8264		15 011 104			0.507		
						IS 1079D			2		
	01	PLATE		3-04-116-U8270		15 011 104			2.140		
						IS 1079D			1		

<p>CAUTION: The information on this document is the property of BHARAT HEAVY ELECTRICALS LTD. It must not be used directly or indirectly in any way detrimental to the interest of the company.</p>	TYPE OF PRODUCT OR NAME OF CUSTOMER/PROJECT		NAME		DATE
	<p><b>Bharat Heavy Electricals Ltd</b> UNIT: HEAVY PLATES AND VESSELS PLANT VISAKHAPATNAM - 530012</p>		DRN	T.S.S.RAO	03.10.18
			CHD	G.GNANANANDA RAO	03.10.18
			APPD	Y.PRASANNA KUMAR	03.10.18
DEPT HT ENGG CODE	ALL DIMENSIONS ARE IN MM	PROJECTION	SCALE	WEIGHT (Kg)	REF TO ASSY / OLD DWG
320			N.T.S	12.386	2-04-114-80235
TITLE				DRAWING NO :	REV
SEPARATOR SCRUBBER BOX ASSY.				2-04-116-U8113	00

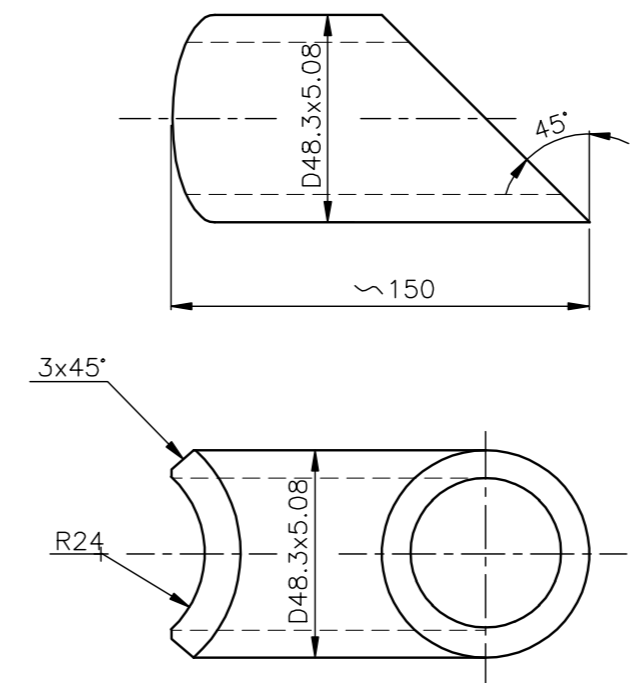
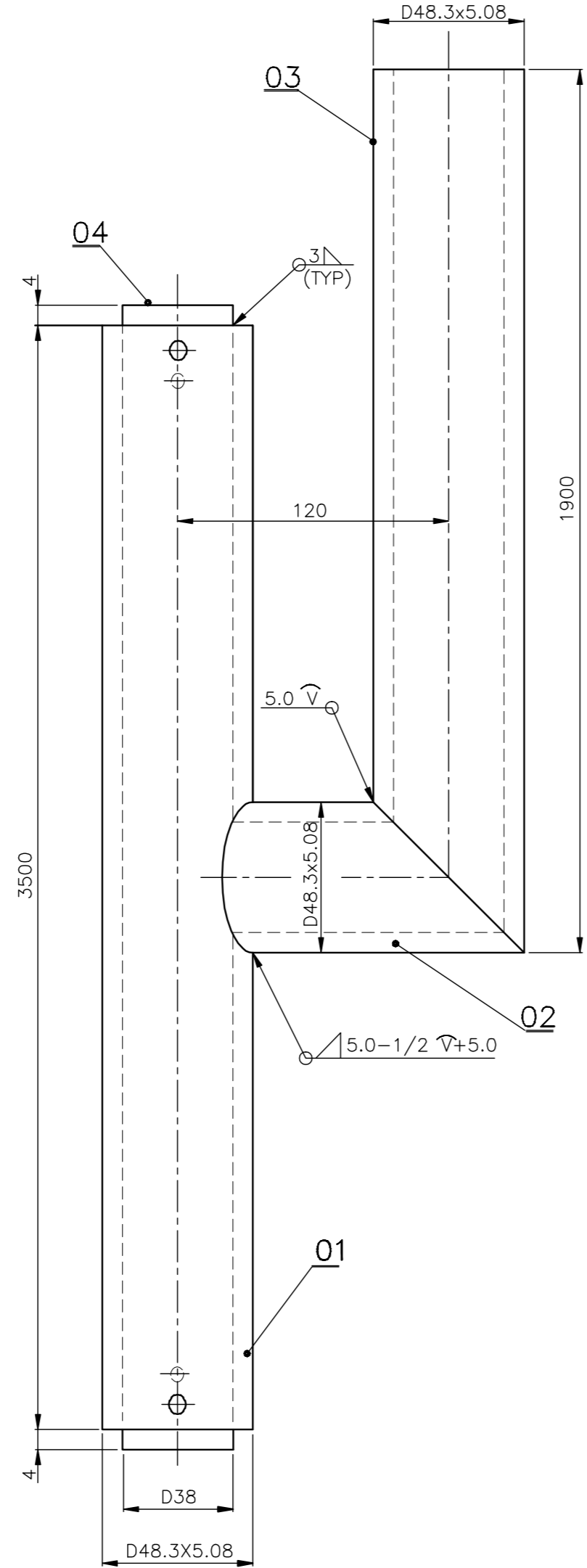
REV	DATE	ALTERED
		CHKD & APPD
ZONE		

DRAWING NO: 2-04-116-U8115



SECTION-AA

DETAILS OF ITEM 01



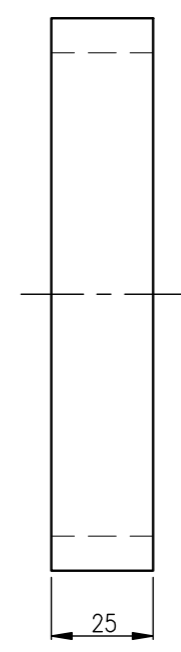
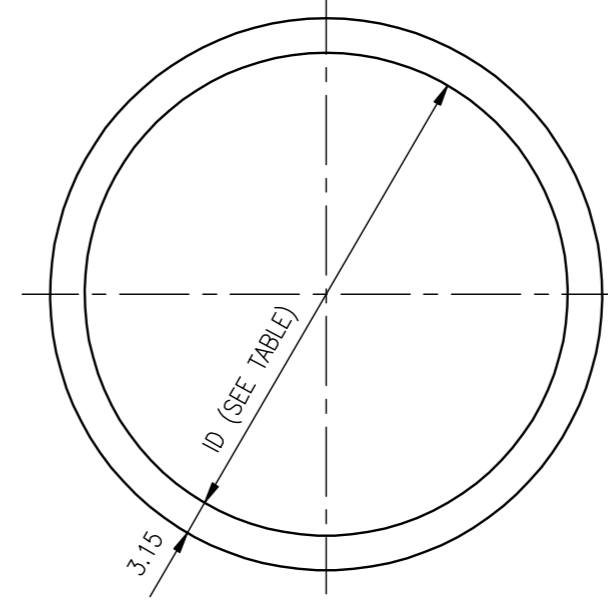
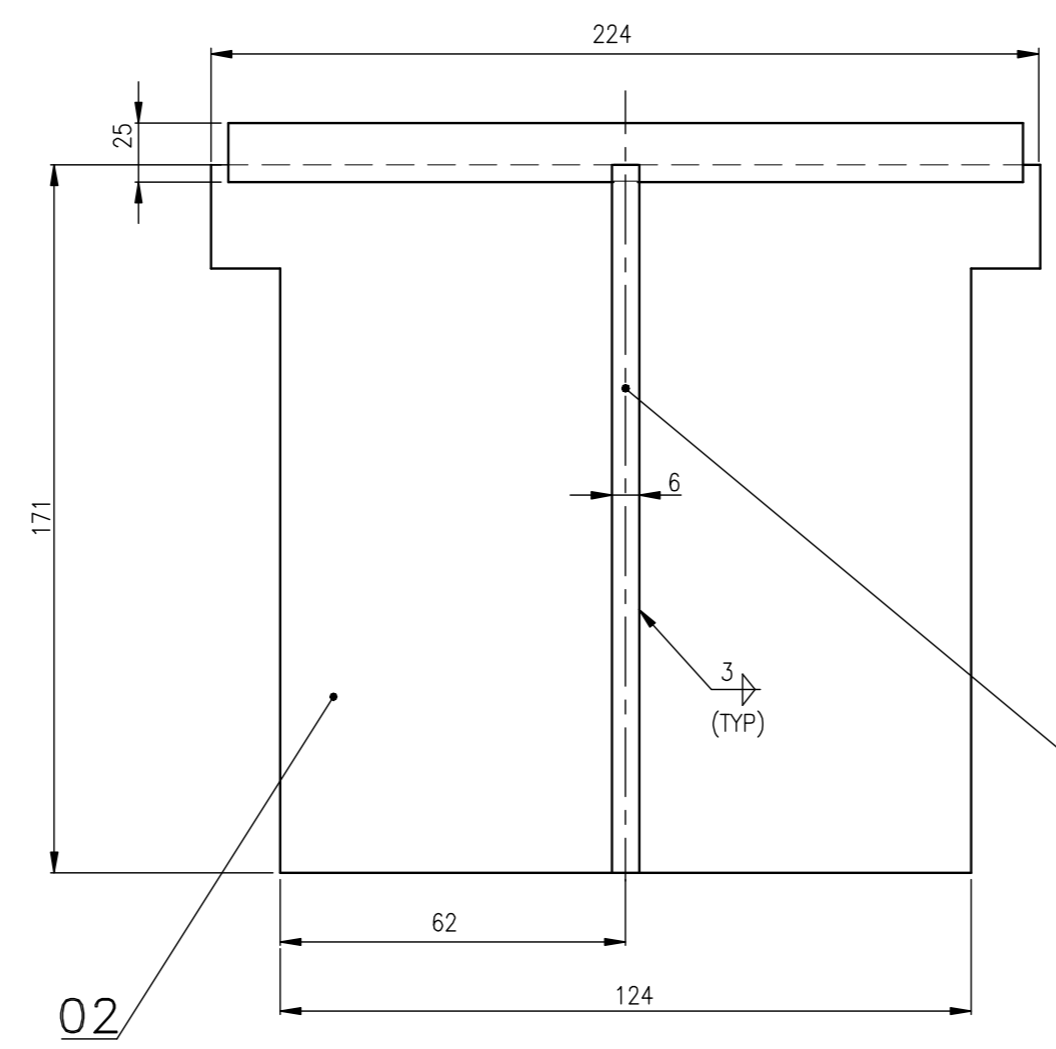
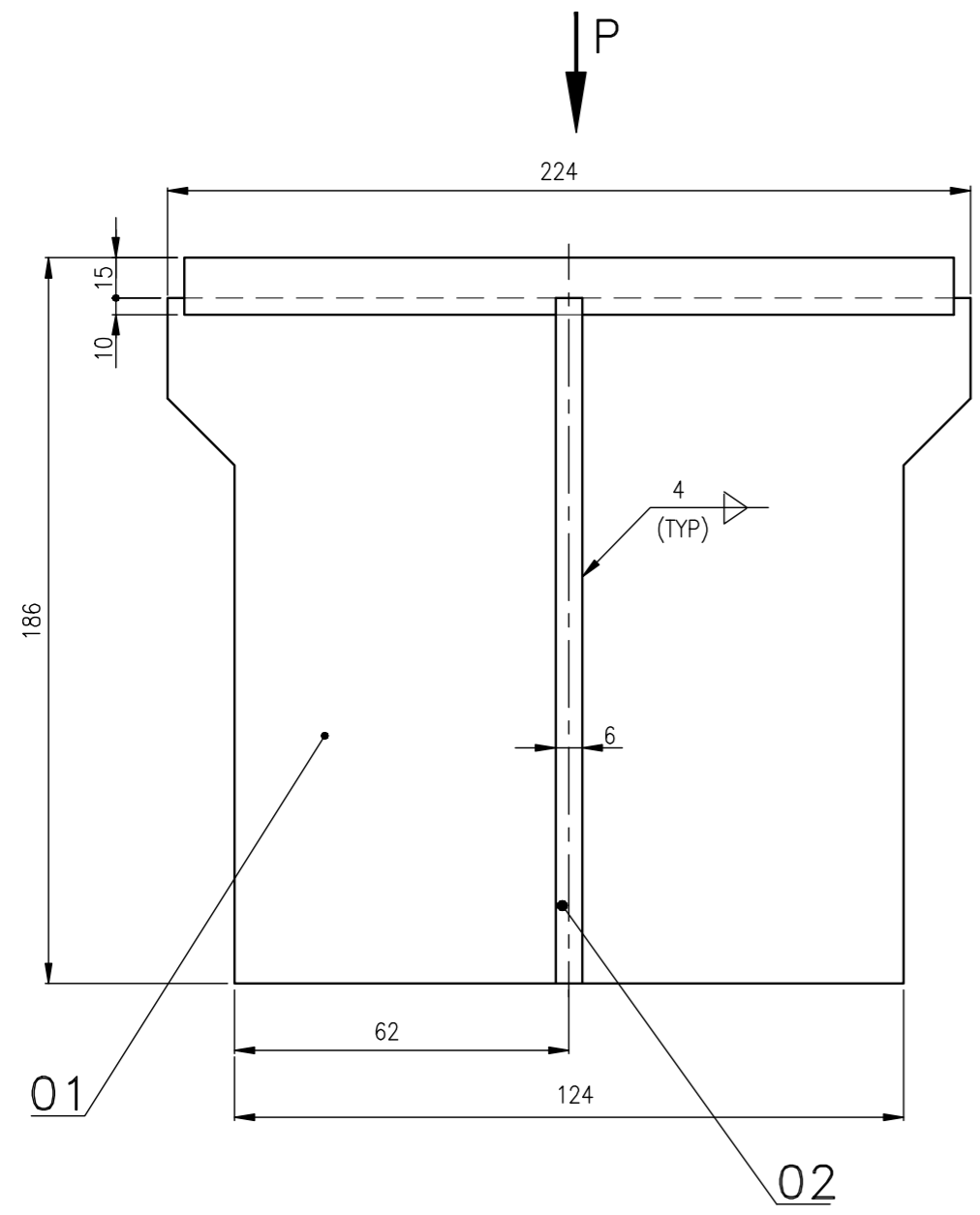
DETAILS OF ITEM 02

VARIANT NUMBER	ITEM NUMBER	DESCRIPTION	STD	DRAWING NUMBER	ITEM NO	MATERIAL CODE	A/G/P	UNIT	UNIT WEIGHT	GS	ZONE
	04	SH 4 ; D38				15 011 334			0.035		
						IS 1079D			2		
	03	PIPE D48.3 x 5.08 L=1900				15 182 021		C	10.279		
						SA106 GR.B			1		
	02	PIPE D48.3 x 5.08 L=150				15 182 021		C	0.810		
						SA106 GR.B			1		
	01	PIPE D48.3 x 5.08 L=3500				15 182 021		C	18.950		
						SA106 GR.B			1		

REV	DATE	ALTERED
		CHKD & APPD
ZONE		

<p>CAUTION: The information on this document is the property of BHARAT HEAVY ELECTRICALS LTD. It must not be used directly or indirectly in any way detrimental to the interest of the company.</p>	TYPE OF PRODUCT OR NAME OF CUSTOMER/PROJECT		NAME		DATE
	<p><b>Bharat Heavy Electricals Ltd</b> UNIT: HEAVY PLATES AND VESSELS PLANT VISAKHAPATNAM - 530012</p>		DRN	T.S.S.RAO	08.08.18
			CHD	MVRP/GGR	08.08.18
	DEPT	ALL DIMENSIONS ARE IN MM	PROJECTION	SCALE	WEIGHT (Kg)
HT ENGG			N.T.S	30.109	2-04-176-81044
CODE	320				DRAWING NO :
TITLE	C B D HEADER ASSY				REV
					2-04-116-U8115
					00

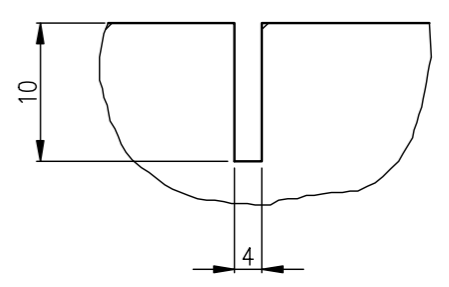
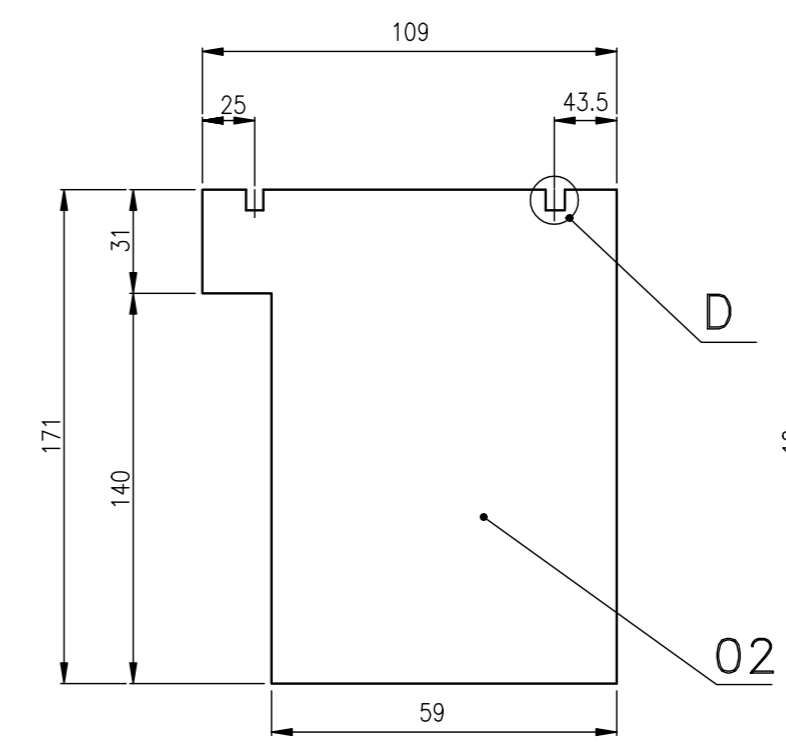
DRAWING NO.: 2-04-116-U8116



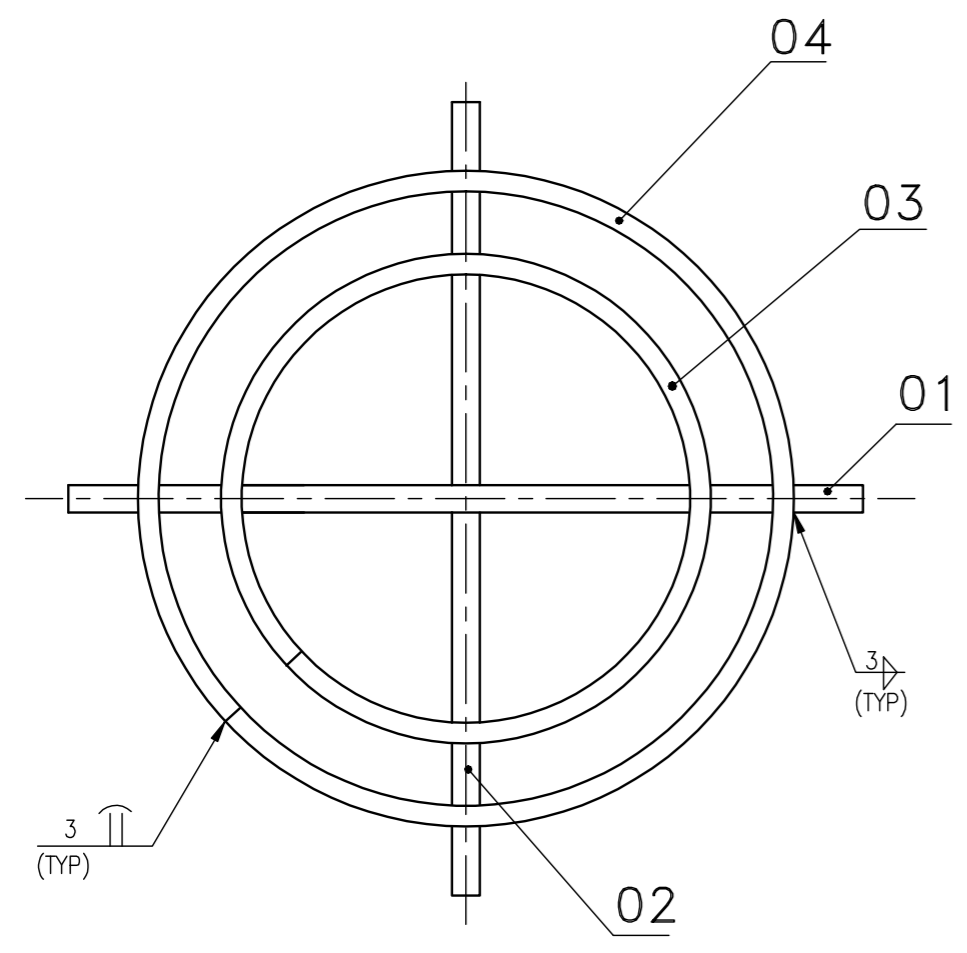
**TABLE**

ITEM NO.	ID
03	90
04	174

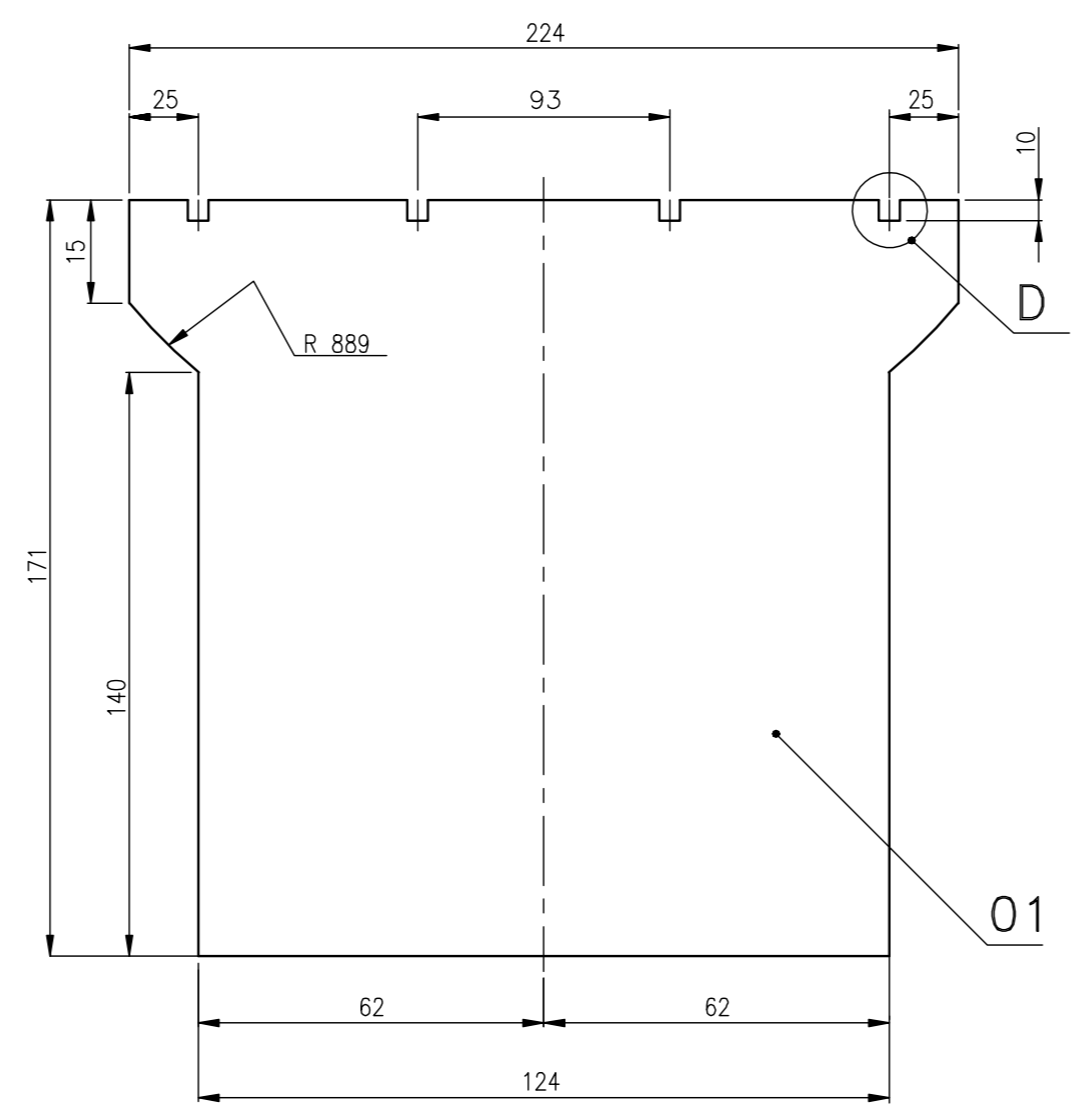
DETAIL OF ITEM NOS. 03 & 04



DETAIL-D



VIEW-P



VARIANT NUMBER	ITEM NUMBER	DESCRIPTION	STD	DRAWING NUMBER	ITEM NO	MATERIAL CODE	A/C	UNIT	UNIT WEIGHT	GS	ZONE
VAR NO					VAR NO	MATERIAL SPECN	D1	QUANTITY			
	04	SH.3.15 X 25 X 557				15 011 182			0.344		
						IS 1079 D		1			
	03	SH.3.15 X 25 X 293				15 011 182			0.181		
						IS 1079 D		1			
	02	PL.6 X 109 X 59				15 211 092			0.303		
						IS2062Fe410A		2			
	01	PL.6 X 171 X 224				15 211 092			1.804		
						IS2062Fe410A		1			

TYPE OF PRODUCT OR NAME OF CUSTOMER/PROJECT

**Bharat Heavy Electricals Ltd**  
UNIT: HEAVY PLATES AND VESSELS PLANT  
VISAKHAPATNAM - 530012

DRN	T.S.S.RAO	DATE	03.10.18
CHD	GGR		03.10.18
APPD	Y.PRASANNA KUMAR		03.10.18

DEPT: HT ENGG  
CODE: 320  
ALL DIMENSIONS ARE IN MM  
SCALE: N.T.S  
WEIGHT (Kg): 2.935  
REF TO ASSY / OLD DWG: 2-04-114-80695

TITLE: SPIDER PLATE ASSY  
DRAWING NO: 2-04-116-U8116  
REV: 00

REV	DATE	ALTERED :
		CHECKED :

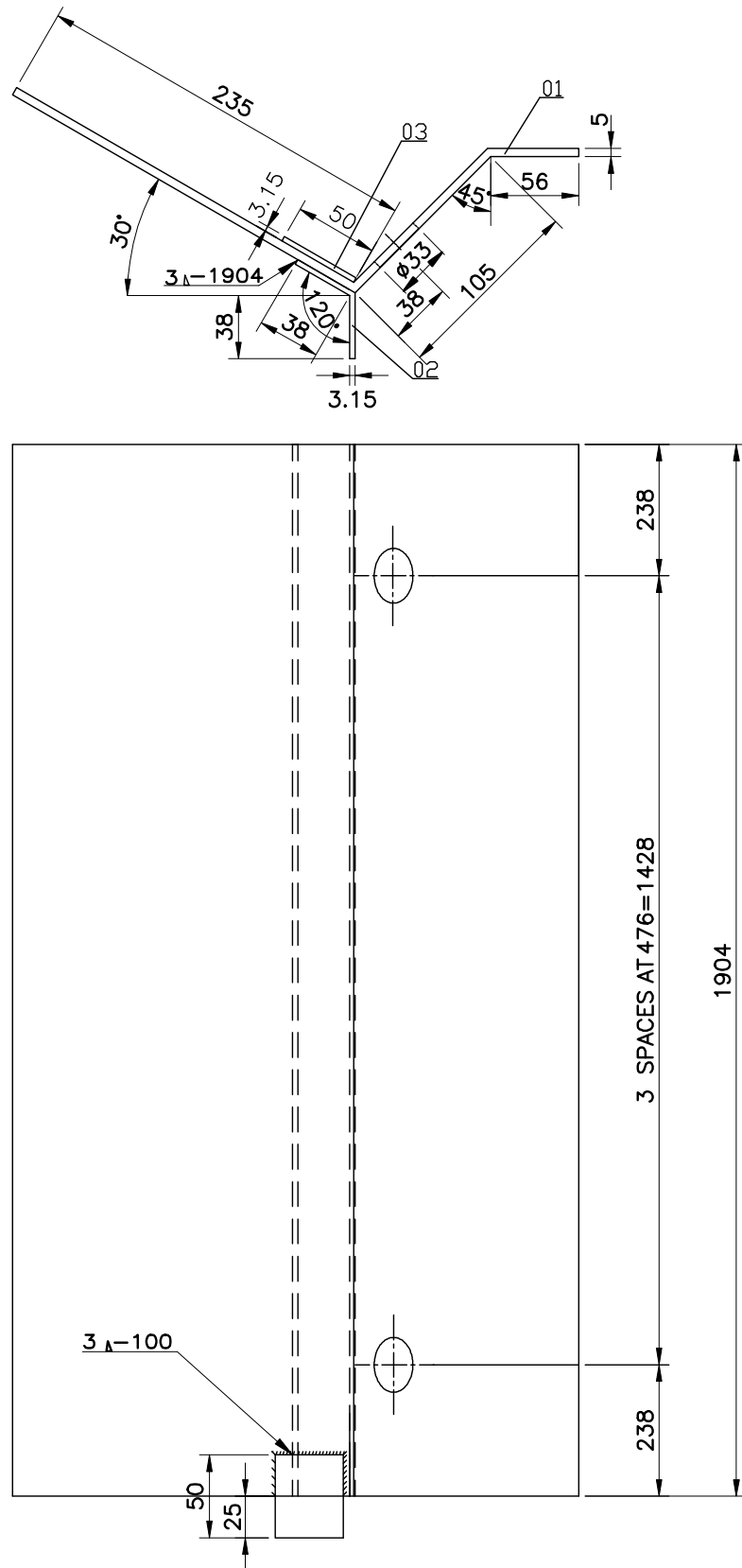
CAUTION: The information on this document is the property of BHARAT HEAVY ELECTRICALS LTD. It must not be used directly or indirectly in any way detrimental to the interest of the company.

FIRST ANGLE PROJECTION

(ALL DIMENSIONS ARE IN mm)

3 Δ - E 6013-2m

DRG. NO. 3-04-114-U8220



INVENTORY NO. SIGN. AND DATE REF. DRG. NO. COMPUTER FILE NAME THE INFORMATION ON THIS DOCUMENT IS THE PROPERTY OF BHARAT HEAVY ELECTRICALS LIMITED. IT MUST NOT BE USED DIRECTLY OR INDIRECTLY IN ANY WAY DETRIMENTAL TO THE INTEREST OF THE COMPANY.

REV	DATE	ALTERED :	REV	DATE	ALTERED :
02		CHD & APPD:	01		CHD & APPD :
ZONE			ZONE		

VARIANT No.	DESCRIPTION	IT.No.	STD	DRAWING No.	ITEM	MATERIAL CODE	COMP GROUP	UNIT wt. (kg)	BMI	DI
	SHEET 3.15 50 x 50	03				15 011 182		0.06		
						IS 1079 D		1		
	SHEET 3.15 1904 x 80	02				15 011 182		3.8		
						IS 1079 D		1		
	PL.5 ; 1904 x 407	01				15 601 808		31.014		
						ASHESASOZEZON(FE10W)		1		

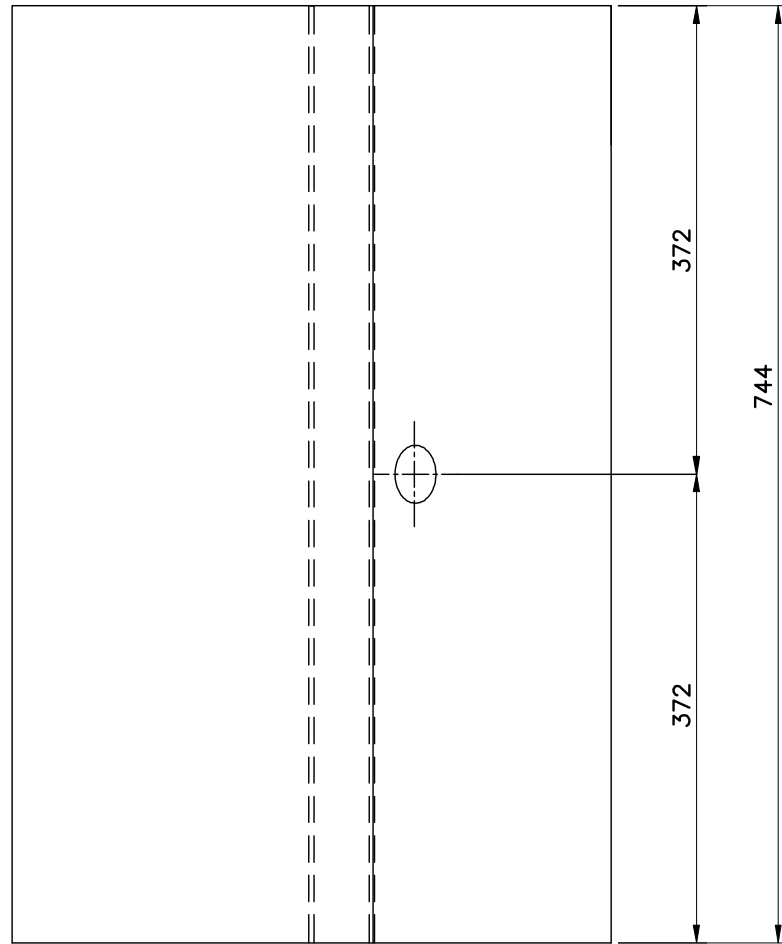
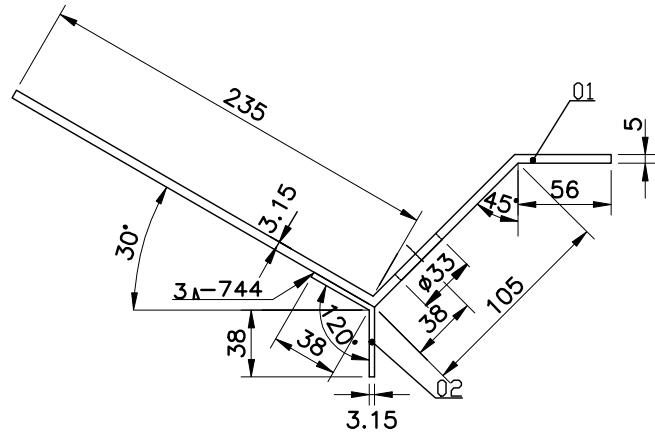
DEPT <b>HTE</b>		ALL DIMENSIONS ARE IN MM		PROJECTION 		SCALE <b>N.T.S.</b>		WEIGHT (Kg) <b>34.874</b>		TYPE OF PRODUCT OR NAME OF CUSTOMER/PROJECT	
										NAME <b>K.H.THOMAS</b>	
CODE <b>320</b>		REF TO ASSY / OLD DWG		CHD <b>MVRP/GGR</b>		DATE <b>14.06.2018</b>		APPD <b>Y.P.KUMAR</b>		DATE <b>14.06.2018</b>	
TITLE <b>BENT PANEL</b>		DRAWING NO : <b>3-04-114-U8220</b>		REV <b>00</b>		CAUTION: The information on this document is the property of BHARAT HEAVY ELECTRICALS LTD. It must not be used directly or indirectly in any way detrimental to the interest of the company.					

FIRST ANGLE PROJECTION

(ALL DIMENSIONS ARE IN mm)

DRG. NO. 3-04-114-U8221

3-E6013-0.744m



VARIANT No.	DESCRIPTION	IT.No.	STD	DRAWING No.	ITEM	MATERIAL CODE	COMP GROUP	UNIT wt. (kg)	BMI	DI
02	SHEET 3.15 744x~80	02				15 601 816 ASMESA IS 1079D		1.5		
01	PL.5 ; 744x~407	01				15 601 808 <del>ASMESA IS 1079D</del>		12.1		
					VAR	MATERIAL SPECN		QUANTITY		

INVENTORY NO. SIGN. AND DATE REF. DRG. NO. COMPUTER FILE NAME THE INFORMATION ON THIS DOCUMENT IS THE PROPERTY OF BHARAT HEAVY ELECTRICALS LIMITED. IT MUST NOT BE USED DIRECTLY OR INDIRECTLY IN ANY WAY DETRIMENTAL TO THE INTEREST OF THE COMPANY

REV	DATE	ALTERED :	REV	DATE	ALTERED :
02		CHD & APPD:	01		CHD & APPD :
ZONE			ZONE		

**CAUTION:** The information on this document is the property of BHARAT HEAVY ELECTRICALS LTD. It must not be used directly or indirectly in any way detrimental to the interest of the company.

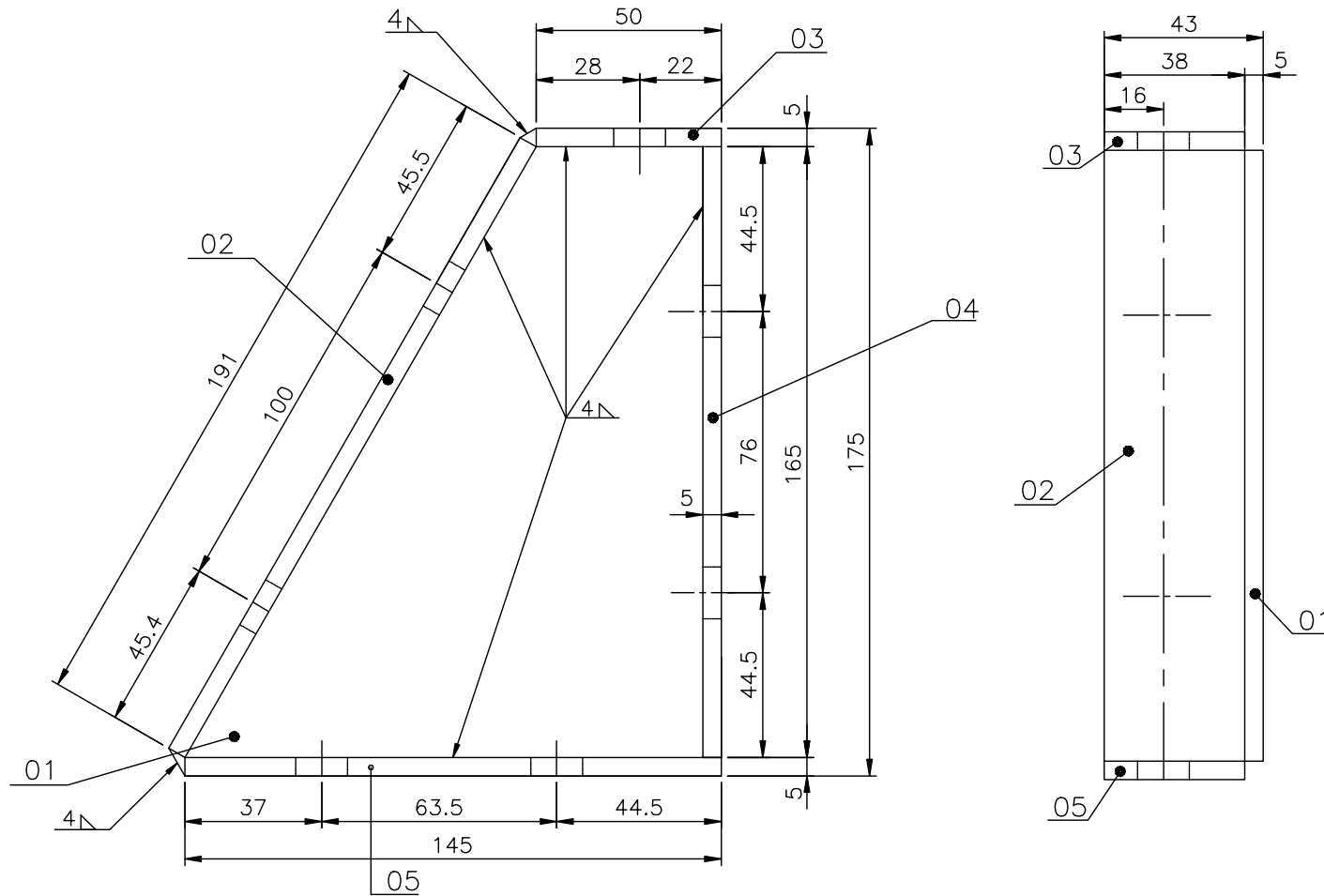
TYPE OF PRODUCT OR NAME OF CUSTOMER/PROJECT			
	Bharat Heavy Electricals Ltd		NAME
	UNIT: HEAVY PLATES & VESSELS PLANT		<b>K.H.THOMAS</b>
	VISAKHAPATNAM - 530012		DATE
DEPT	HTE	PROJECTION	<b>14.06.2018</b>
CODE	320	SCALE	<b>MVRP/GGR</b>
		WEIGHT (Kg)	<b>14.06.2018</b>
		REF TO ASSY / OLD DWG	
		TITLE	
		<b>BENT PANEL</b>	DRAWING NO :
			<b>3-04-114-U8221</b>
			REV
			<b>00</b>

FIRST ANGLE PROJECTION

(ALL DIMENSIONS ARE IN mm)

4D - E 6013-0.627m

3-04-114-U8222  
DRG. NO.



NOTE  
ALL HOLES ARE TO BE  $\phi 14$

STYLE No.	ITEM No.	BPS	REF. DRG./BPS No.	RVN	MATERIAL CODE	A	COMP GROUP	UNIT wt.(kg)	QUANTITY	BMI	DESCRIPTION/REMARKS
	05				15 601 808 ASME SA 302 B (FE 1/4H)			0.20	1		PL5 ;38 x 145
	04				15 601 808 ASME SA 302 B (FE 1/4H)			0.25	1		PL5 ;38 x 165
	03				15 601 808 ASME SA 302 B (FE 1/4H)			0.075	1		PL5 ;38 x 50
	02				15 601 808 ASME SA 302 B (FE 1/4H)			0.30	1		PL5 ;38 x 191
	01				15 601 808 ASME SA 302 B (FE 1/4H)			1.00	1		PL5 ;145 x 165

INVENTORY NO  
SIGN. AND DATE  
REF. DRG. NO.  
COMPUTER FILE NAME  
THE INFORMATION ON THIS DOCUMENT IS THE PROPERTY OF BHARAT HEAVY ELECTRICALS LIMITED. IT MUST NOT BE USED DIRECTLY OR INDIRECTLY IN ANY WAY DETRIMENTAL TO THE INTEREST OF THE COMPANY

REV	DATE	ALTERED :	REV	DATE	ALTERED :
02		CHD & APPD:	01		CHD & APPD :
ZONE			ZONE		

**CAUTION:** The information on this document is the property of BHARAT HEAVY ELECTRICALS LTD. It must not be used directly or indirectly in any way detrimental to the interest of the company.

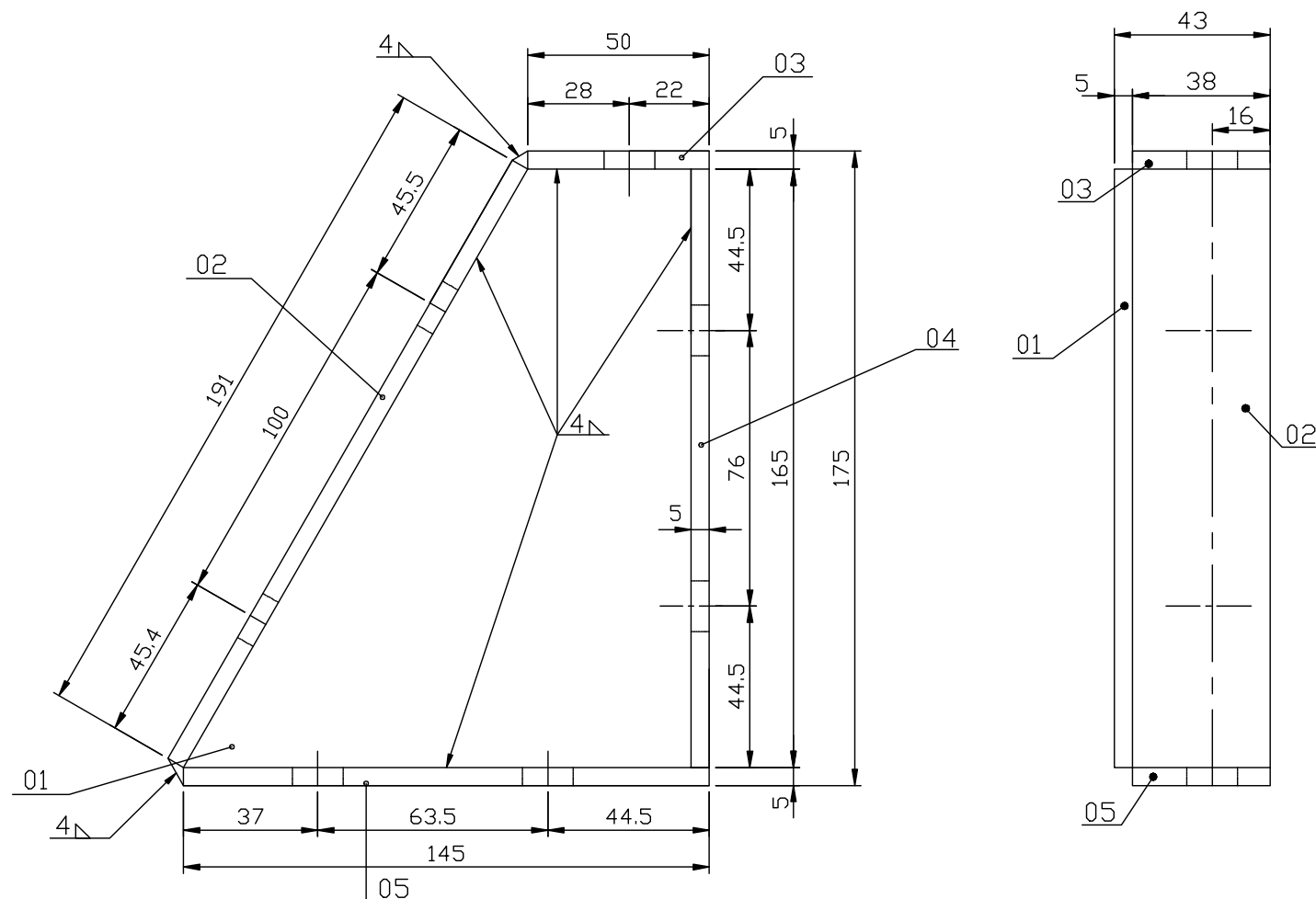
TYPE OF PRODUCT OR NAME OF CUSTOMER/PROJECT			
	Bharat Heavy Electricals Ltd UNIT: HEAVY PLATES & VESSELS PLANT VISAKHAPATNAM - 530012		NAME <b>K.H.THOMAS</b>
			DATE <b>14.06.2018</b>
			CHD <b>MVRP/GGR</b>
		APPD <b>Y.P.KUMAR</b>	DATE <b>14.06.2018</b>
DEPT <b>HTE</b>	ALL DIMENSIONS ARE IN MM	PROJECTION 	SCALE <b>N.T.S.</b>
CODE <b>320</b>	WEIGHT (Kg) <b>1.825</b>	REF TO ASSY / OLD DWG	
TITLE <b>BENT STRIP</b>			DRAWING NO : <b>3-04-114-U8222</b>
			REV <b>00</b>

FIRST ANGLE PROJECTION

(ALL DIMENSIONS ARE IN mm)

3-04-114-U8223  
DRG. NO.

4Δ - E 6013-0.627m



NOTE  
ALL HOLES ARE TO BE Ø14

STYLE No.	ITEM No.	BPS	REF. DRG./BPS No.	RVN	MATERIAL CODE	A	COMP GROUP	UNIT wt.(kg)	BMI	DI	DESCRIPTION/REMARKS
05					15 601 808			0.20			PL5 ;38 x 145
					ASMESAS20R2E20(FE410M)			1			
04					15 601 808			0.25			PL5 ;38 x 165
					ASMESAS20R2E20(FE410M)			1			
03					15 601 808			0.075			PL5 ;38 x 50
					ASMESAS20R2E20(FE410M)			1			
02					15 601 808			0.30			PL5 ;38 x 191
					ASMESAS20R2E20(FE410M)			1			
01					15 601 808			1.00			PL5 ;145 x 165
					ASMESAS20R2E20(FE410M)			1			

COMPUTER FILE NAME  
 SIGN. AND DATE  
 REF. DRG. NO.  
 INVENTORY NO.

REV	DATE	ALTERED :	REV	DATE	ALTERED :
02		CHD & APPD:	01		CHD & APPD :
ZONE			ZONE		

**CAUTION:** The information on this document is the property of BHARAT HEAVY ELECTRICALS LTD. It must not be used directly or indirectly in any way detrimental to the interest of the company.

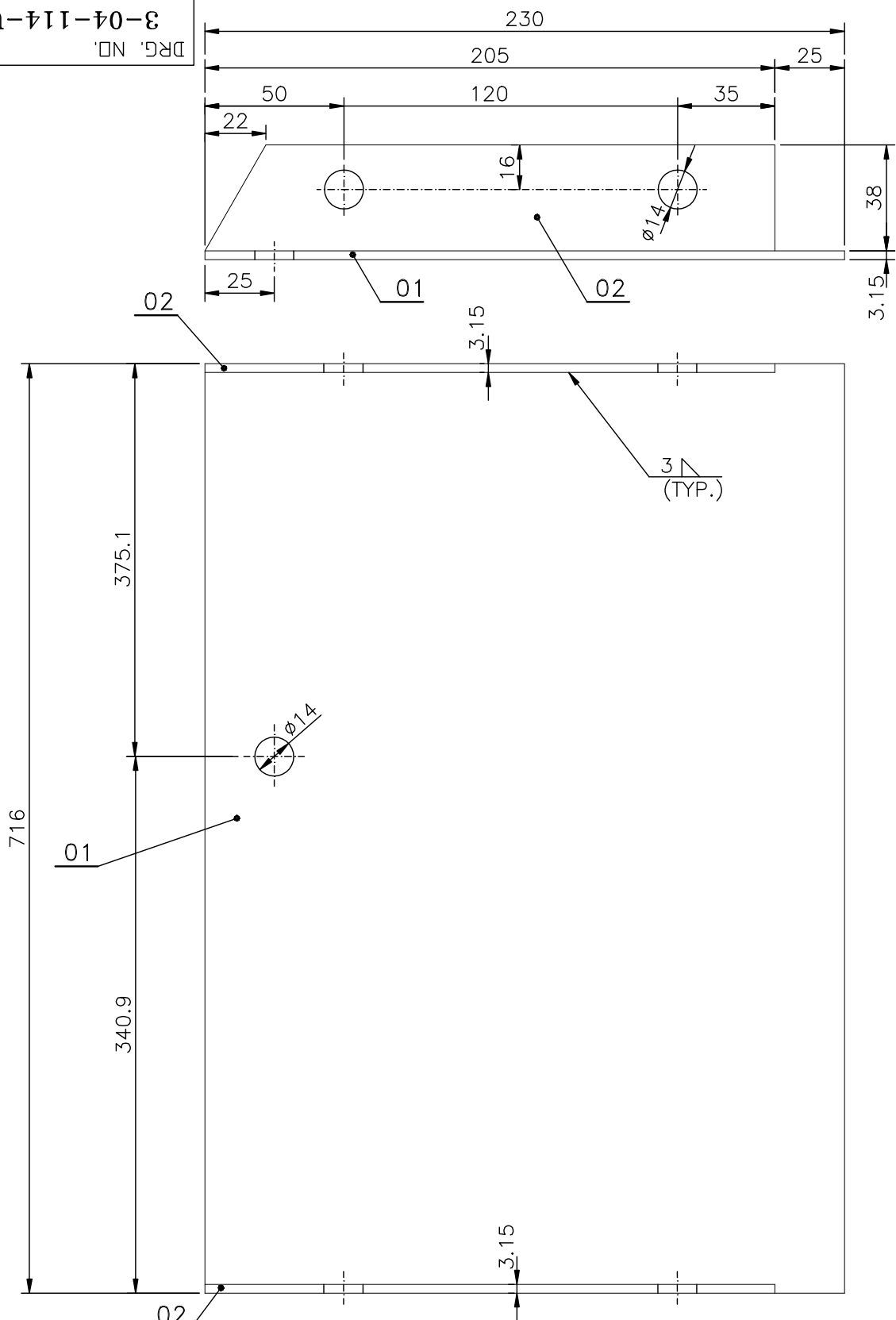
TYPE OF PRODUCT OR NAME OF CUSTOMER/PROJECT			
DEPT <b>HTE</b> CODE <b>320</b>	Bharat Heavy Electricals Ltd UNIT: HEAVY PLATES & VESSELS PLANT VISAKHAPATNAM - 530012		NAME <b>K.H.THOMAS</b> DATE <b>14.06.2018</b>
			CHD <b>MVRP/GGR</b> DATE <b>14.06.2018</b>
			APPD <b>Y.P.KUMAR</b> DATE <b>14.06.2018</b>
ALL DIMENSIONS ARE IN MM PROJECTION 	SCALE <b>N.T.S.</b>	WEIGHT (Kg) <b>1.825</b>	REF TO ASSY / OLD DWG
TITLE <b>BENT STRIP</b>			DRAWING NO : <b>3-04-114-U8223</b>
			REV <b>00</b>



FIRST ANGLE PROJECTION

(ALL DIMENSIONS ARE IN mm)

DRG. NO. 3-04-114-U8225



INVENTORY NO. SIGN. AND DATE. REF. DRG. NO. COMPUTER FILE NAME. THE INFORMATION ON THIS DOCUMENT IS THE PROPERTY OF BHARAT HEAVY ELECTRICALS LIMITED. IT MUST NOT BE USED DIRECTLY OR INDIRECTLY IN ANY WAY DETRIMENTAL TO THE INTEREST OF THE COMPANY.

REV	DATE	ALTERED :	REV	DATE	ALTERED :
02		CHD & APPD:	01		CHD & APPD :
ZONE			ZONE		

CAUTION: The information on this document is the property of BHARAT HEAVY ELECTRICALS LTD. It must not be used directly or indirectly in any way detrimental to the interest of the company.

VARIANT No.	DESCRIPTION	IT No.	STD	DRAWING No.	ITEM VAR	MATL.CODE	MATL.SPECN.	COMP GROUP	UNIT WT.(Kg.)	QUANTITY	BMI	DI
	SHEET 3.15; 38 x 205	02				15 011 182	IS 1079D		0.2	2		
	SHEET 3.15; 230 x 716	01				15 011 182	IS 1079D		4.0	1		
						CARD TYPE 2			CARD TYPE 1			
BILL OF MATERIAL No.												

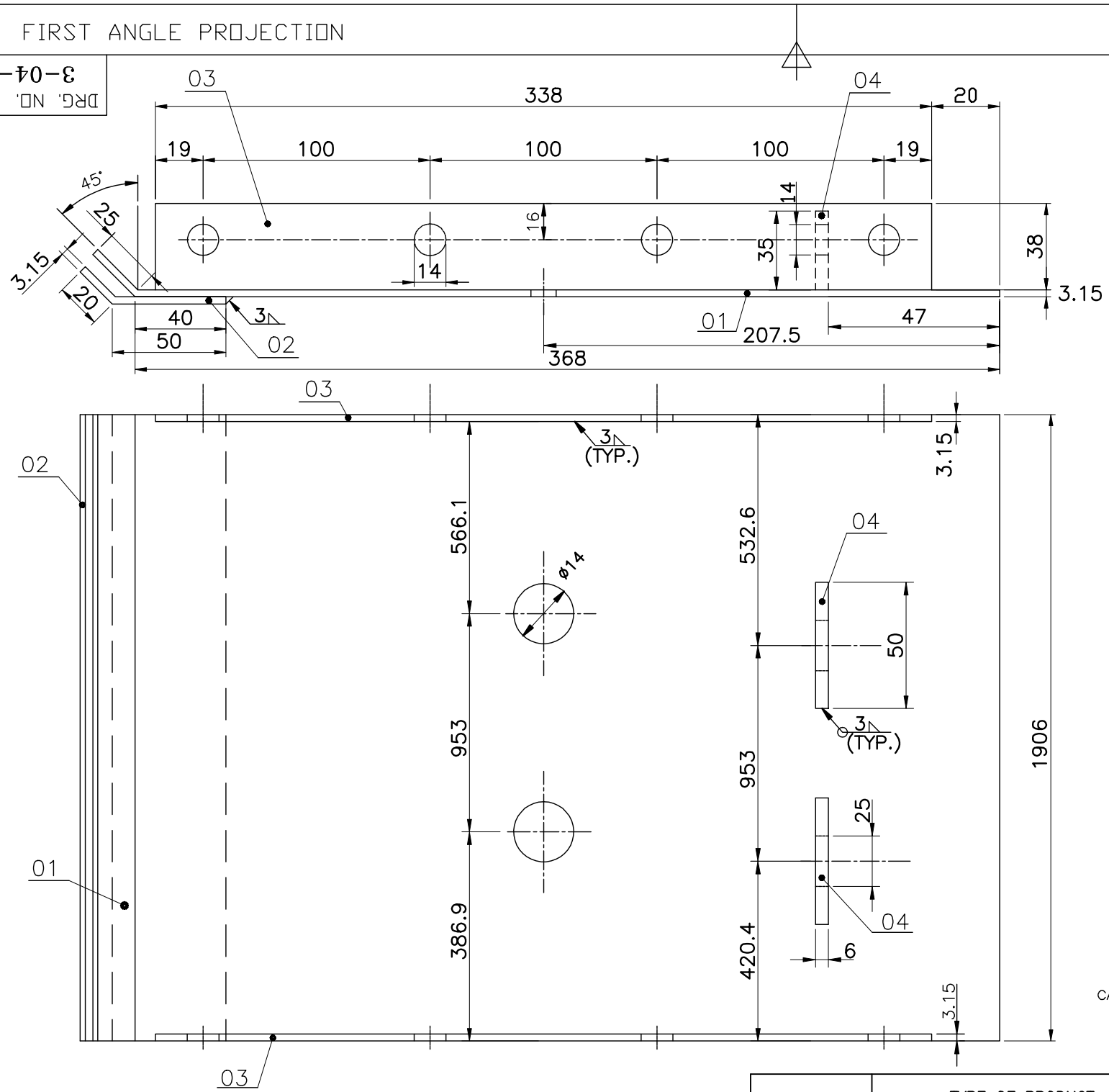
TYPE OF PRODUCT OR NAME OF CUSTOMER/PROJECT												
Bharat Heavy Electricals Ltd UNIT: HEAVY PLATES & VESSELS PLANT VISAKHAPATNAM - 530012				DRN	NAME <b>K.H.THOMAS</b>			DATE	<b>14.06.2018</b>			
				CHD	<b>MVRP/GGR</b>			DATE	<b>14.06.2018</b>			
				APPD	<b>Y.P.KUMAR</b>			DATE	<b>14.06.2018</b>			
DEPT	ALL DIMENSIONS ARE IN MM		PROJECTION	SCALE	WEIGHT (Kg)		REF TO ASSY / OLD DWG					
<b>HTE</b>				<b>N.T.S.</b>	<b>4.400</b>							
CODE												
<b>320</b>												
TITLE							DRAWING NO :			REV		
<b>PANEL</b>							<b>3-04-114-U8225</b>			<b>00</b>		

FIRST ANGLE PROJECTION

(ALL DIMENSIONS ARE IN mm)

DRG. NO. 3-04-114-U8226

3Δ- E6013-2.8m



VARIANT No.	DESCRIPTION	IT.No.	STD	DRAWING No.	ITEM	MATERIAL CODE	COMP GROUP	UNIT wt. (kg)	BMI	DI
	PLATE 6 ; 50 x 35	04				15 601 813		0.082		
						ASME SA 202 (F410M)		2		
	SHEET 3.15 38 x 338	03				15 011 182		0.3		
						IS 1079D		2		
	SHEET 3.15 1906 x 75	02				15 011 182		3.6		
						IS 1079D		1		
	SHEET 3.15 1906 x 396	01				15 011 182		18.9		
						IS 1079D		1		

CARD TYPE 2 ← → CARD TYPE 1

INVENTORY NO

SIGN. AND DATE

COMPUTER FILE NAME

REF. DRG. NO.

THE INFORMATION ON THIS DOCUMENT IS THE PROPERTY OF BHARAT HEAVY ELECTRICALS LIMITED. IT MUST NOT BE USED DIRECTLY OR INDIRECTLY IN ANY WAY DETRIMENTAL TO THE INTEREST OF THE COMPANY

REV	DATE	ALTERED :	REV	DATE	ALTERED :
02		CHD & APPD:	01		CHD & APPD :
ZONE			ZONE		

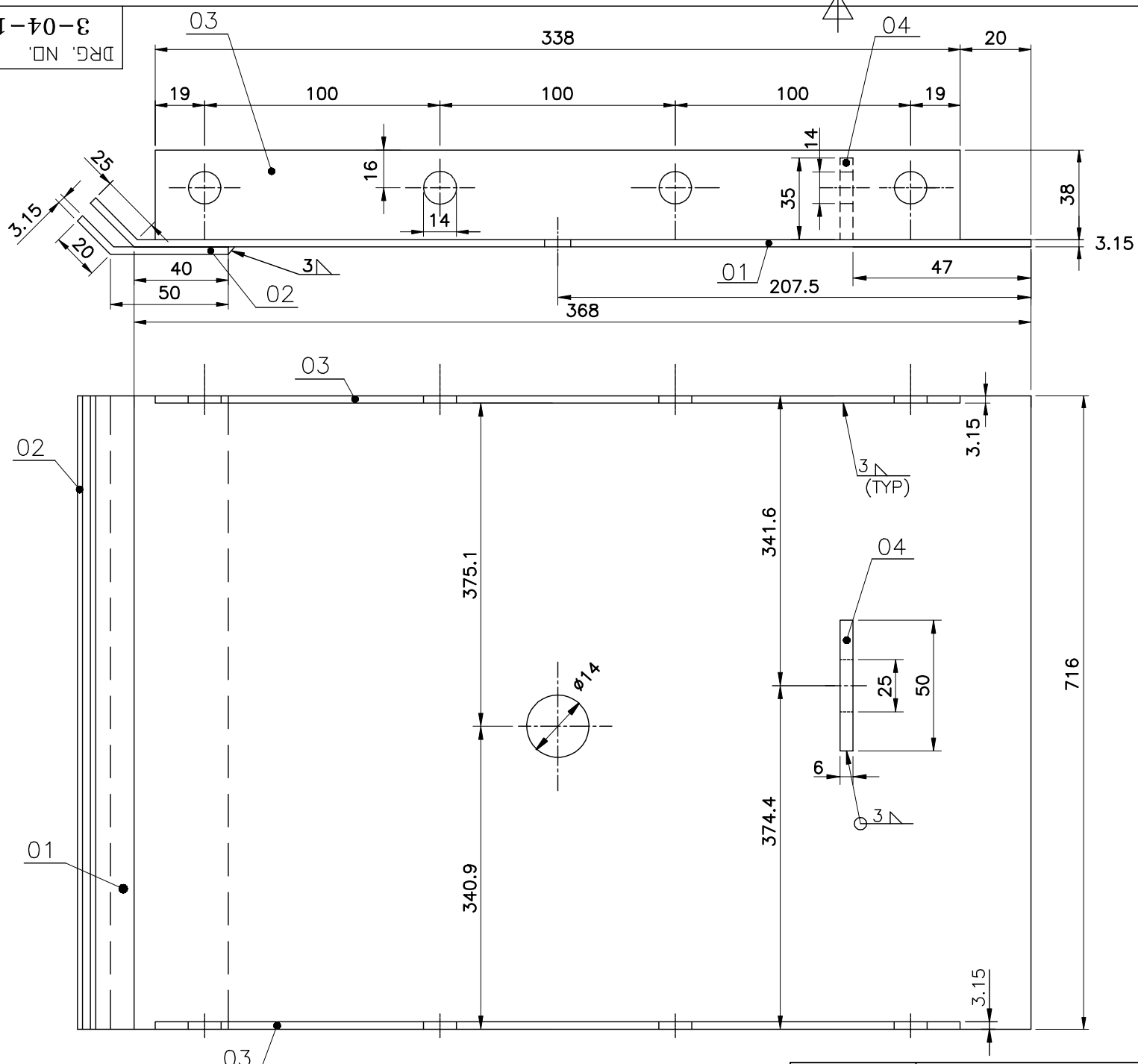
CAUTION: The information on this document is the property of BHARAT HEAVY ELECTRICALS LTD. It must not be used directly or indirectly in any way detrimental to the interest of the company.

TYPE OF PRODUCT OR NAME OF CUSTOMER/PROJECT			
		Bharat Heavy Electricals Ltd UNIT: HEAVY PLATES & VESSELS PLANT VISAKHAPATNAM - 530012	
DEPT	HTE	DRN	K.H.THOMAS
CODE	320	CHD	MVRP/GGR
		APPD	Y.P.KUMAR
SCALE	N.T.S.	DATE	14.06.2018
PROJECTION		DATE	14.06.2018
WEIGHT (Kg)	23.264	DATE	14.06.2018
TITLE	BENT PANEL		REF TO ASSY / OLD DWG
	DRAWING NO : 3-04-114-U8226		REV 00

FIRST ANGLE PROJECTION

(ALL DIMENSIONS ARE IN mm)

DRG. NO. 3-04-114-U8227



3-E 6013-1.6m

VARIANT No.	DESCRIPTION	IT.No.	STD	DRAWING No.	ITEM	MATERIAL CODE	COMP GROUP	UNIT wt. (kg)	BMI	DI
	PLATE 6 ; 50 x 35	04			15 601 813	ASME SA 202 GRADE (A) (M)		0.082		
	SHEET 3.15 38 x 338	03			15 011 182	IS 1079D		0.3		
	SHEET 3.15 716 x ~ 75	02			15 011 182	IS 1079D		1.3		
	SHEET 3.15 716 x ~ 396	01			15 011 182	IS 1079D		7.0		

INVENTORY NO. SIGN. AND DATE. REF. DRG. NO. COMPUTER FILE NAME. THE INFORMATION ON THIS DOCUMENT IS THE PROPERTY OF BHARAT HEAVY ELECTRICALS LIMITED. IT MUST NOT BE USED DIRECTLY OR INDIRECTLY IN ANY WAY DETRIMENTAL TO THE INTEREST OF THE COMPANY.

REV	DATE	ALTERED :	REV	DATE	ALTERED :
02		CHD & APPD:	01		CHD & APPD :
ZONE			ZONE		

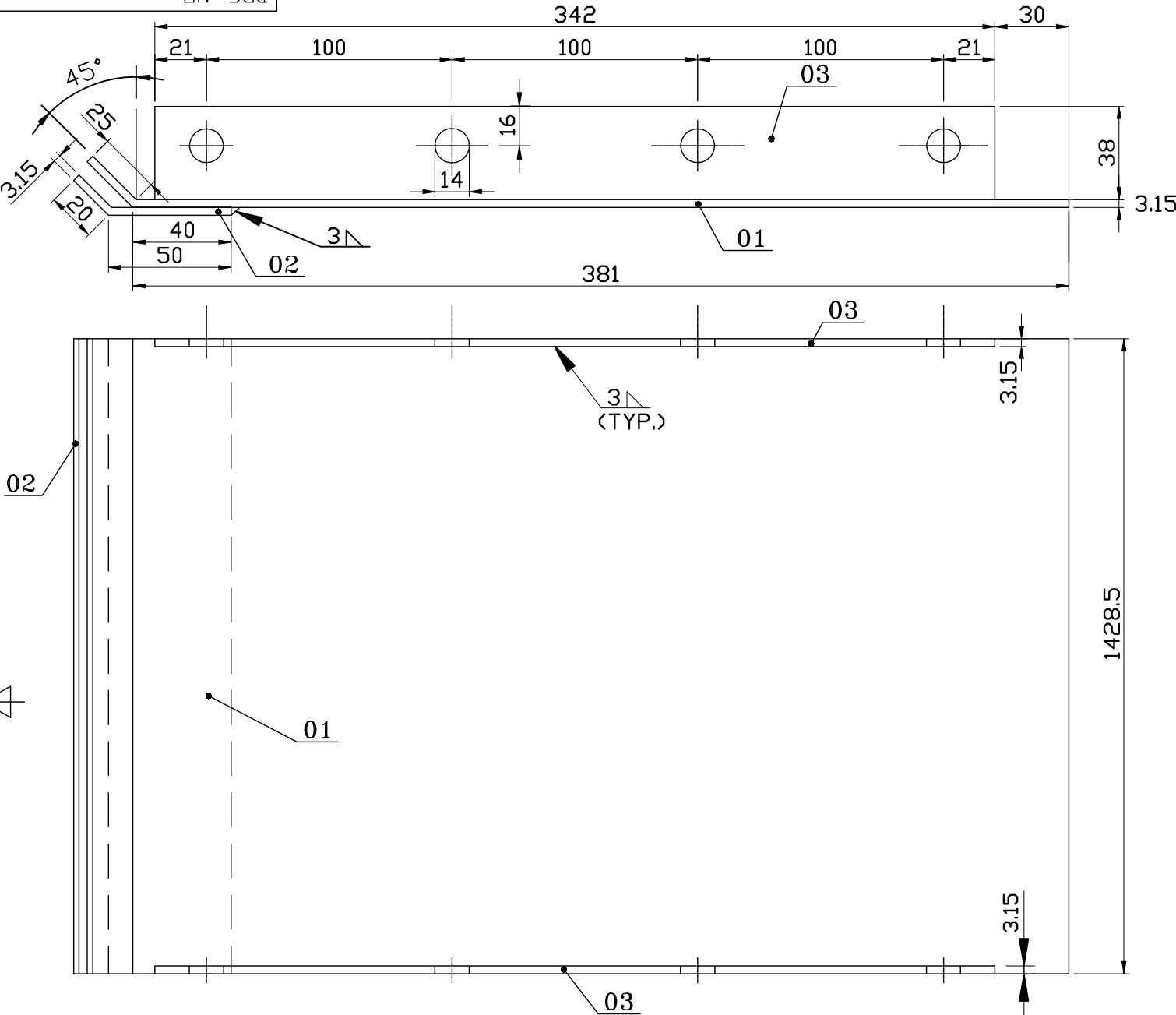
**CAUTION:** The information on this document is the property of BHARAT HEAVY ELECTRICALS LTD. It must not be used directly or indirectly in any way detrimental to the interest of the company.

TYPE OF PRODUCT OR NAME OF CUSTOMER/PROJECT			
		Bharat Heavy Electricals Ltd UNIT: HEAVY PLATES & VESSELS PLANT VISAKHAPATNAM - 530012	
DRN	K.H.THOMAS	DATE	14.06.2018
CHD	MVRP/GGR		14.06.2018
APPD	Y.P.KUMAR		14.06.2018
DEPT	HTE	SCALE	N.T.S.
CODE	320	WEIGHT (Kg)	8.982
TITLE		REF TO ASSY / OLD DWG	
BENT PANEL		DRAWING NO : 3-04-114-U8227	
		REV 00	

FIRST ANGLE PROJECTION

(ALL DIMENSIONS ARE IN mm)

DRG. NO. 3-04-114-U8228



INVENTORY NO. SIGN. AND DATE REF. DRG. NO. COMPUTER FILE NAME THE INFORMATION ON THIS DOCUMENT IS THE PROPERTY OF BHARAT HEAVY ELECTRICALS LIMITED. IT MUST NOT BE USED DIRECTLY OR INDIRECTLY IN ANY WAY DETRIMENTAL TO THE INTEREST OF THE COMPANY.

STYLE No.	ITEM No.	BPS	REF. DRG./BPS No.	RVN STL	MATERIAL CODE MATERIAL SPECN	A C	COMP GROUP	UNIT wt.(kg) QUANTITY	BMI	D	DESCRIPTION/REMARKS
	03				15 011 182 IS 1079D			0.3 2			SHEET 3.15 ; 38 x 342
	02				15 011 182 IS 1079D			2.9 1			SHEET 3.15 ; 1428.5x~75
	01				15 011 182 IS 1079D			14.6 1			SHEET 3.15 ; 1428.5x~410

REV	DATE	ALTERED :	REV	DATE	ALTERED :
02		CHD & APPD:	01		CHD & APPD :
ZONE			ZONE		

**CAUTION:** The information on this document is the property of BHARAT HEAVY ELECTRICALS LTD. It must not be used directly or indirectly in any way detrimental to the interest of the company.

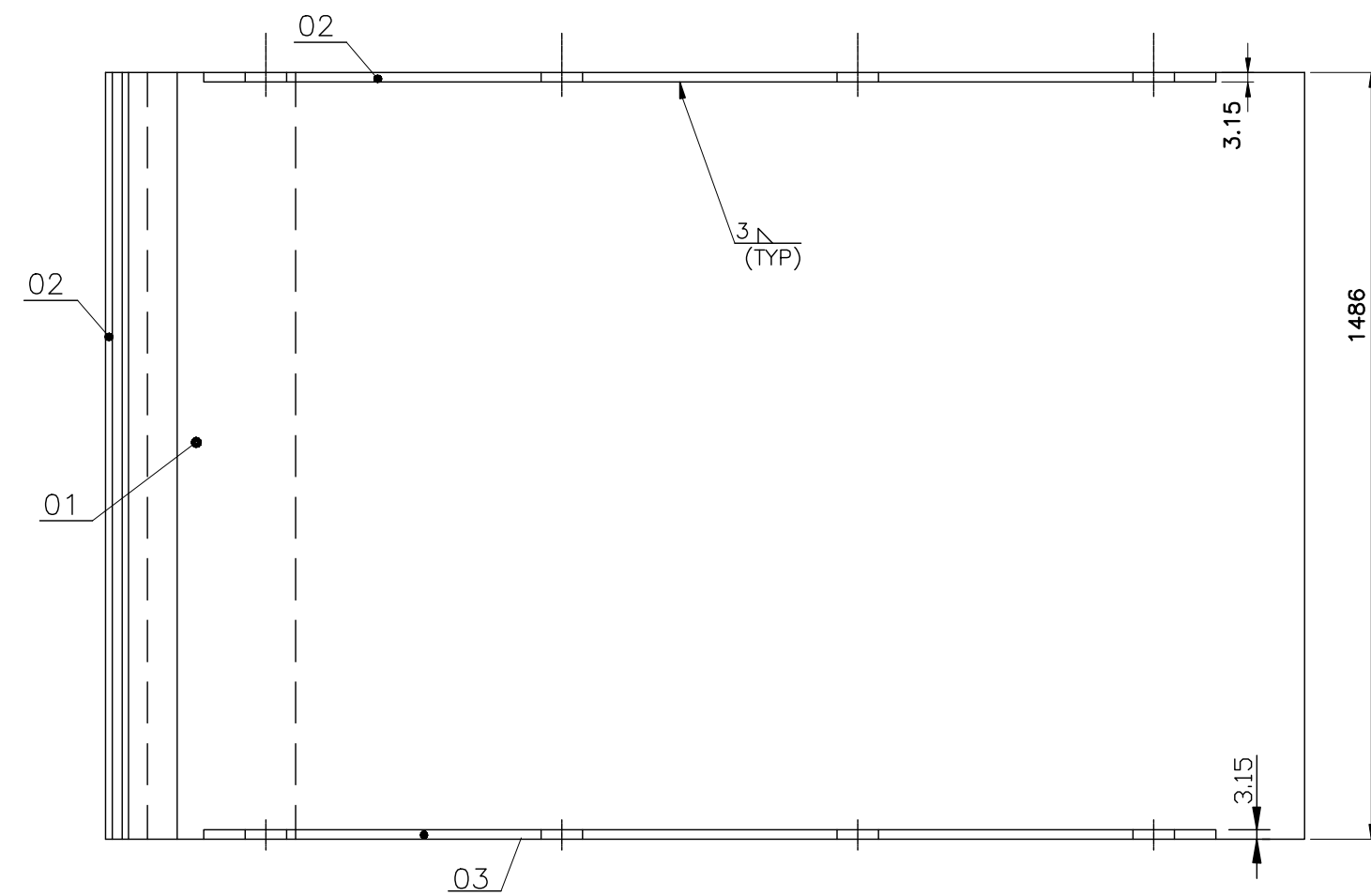
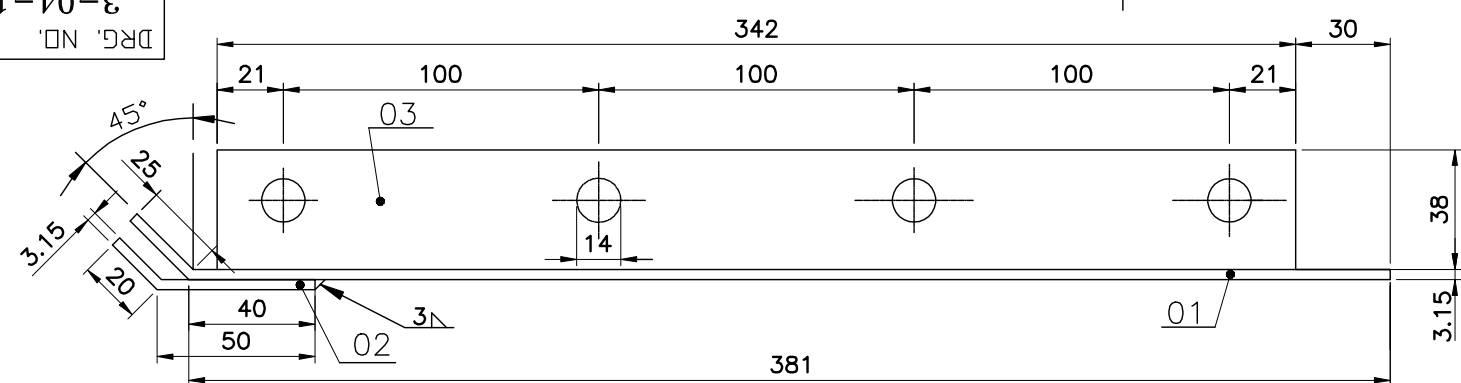
TYPE OF PRODUCT OR NAME OF CUSTOMER/PROJECT			
DEPT <b>HTE</b> CODE <b>320</b>	Bharat Heavy Electricals Ltd UNIT: HEAVY PLATES & VESSELS PLANT VISAKHAPATNAM - 530012		NAME <b>K.H.THOMAS</b> DATE <b>14.06.2018</b>
			CHD <b>MVRP/GGR</b> DATE <b>14.06.2018</b>
			APPD <b>Y.P.KUMAR</b> DATE <b>14.06.2018</b>
ALL DIMENSIONS ARE IN MM PROJECTION	SCALE <b>N.T.S.</b>	WEIGHT (Kg) <b>18.100</b>	REF TO ASSY / OLD DWG
TITLE <b>BENT PANEL</b>			DRAWING NO : <b>3-04-114-U8228</b>
			REV <b>00</b>

FIRST ANGLE PROJECTION

(ALL DIMENSIONS ARE IN mm)

DRG. NO. 3-04-114-U8229

3 Δ -E 6013-2.2 m



VARIANT No.	DESCRIPTION	IT.No.	STD	DRAWING No.	ITEM	MATERIAL CODE	COMP GROUP	UNIT wt. (kg)	BMI	DI
	SHEET 3.15 38 x 342	03				15 011 182 IS 1079D		0.3		
	SHEET 3.15 1486 x~ 75	02				15 011 182 IS 1079D		2.8		
	SHEET 3.15 1486 x~ 410	01				15 011 182 IS 1079D		15.0		
					VAR	MATERIAL SPECN		QUANTITY		

INVENTORY NO. SIGN. AND DATE REF. DRG. NO. COMPUTER FILE NAME THE INFORMATION ON THIS DOCUMENT IS THE PROPERTY OF BHARAT HEAVY ELECTRICALS LIMITED. IT MUST NOT BE USED DIRECTLY OR INDIRECTLY IN ANY WAY DETRIMENTAL TO THE INTEREST OF THE COMPANY.

REV	DATE	ALTERED :	REV	DATE	ALTERED :
02		CHD & APPD:	01		CHD & APPD :
ZONE			ZONE		

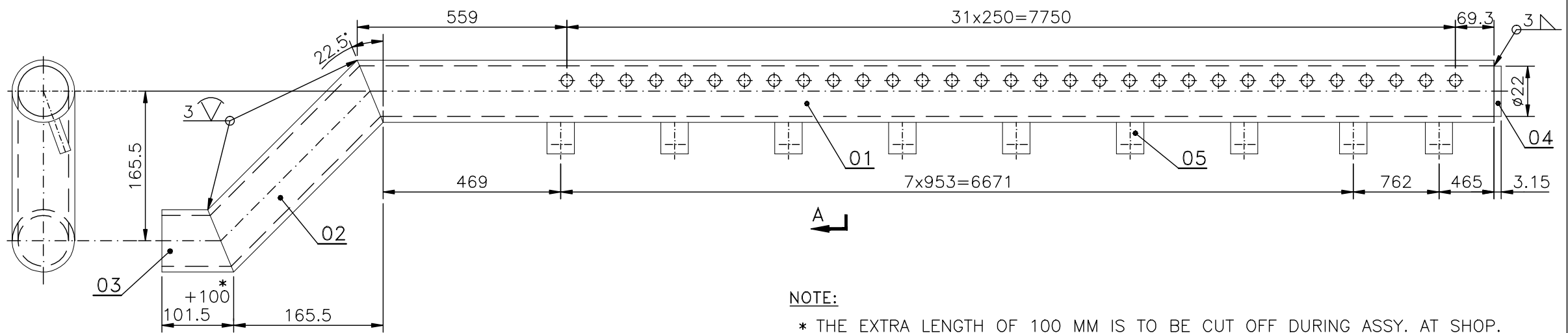
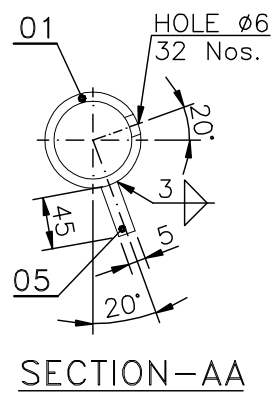
**CAUTION:** The information on this document is the property of BHARAT HEAVY ELECTRICALS LTD. It must not be used directly or indirectly in any way detrimental to the interest of the company.

TYPE OF PRODUCT OR NAME OF CUSTOMER/PROJECT			
Bharat Heavy Electricals Ltd UNIT: HEAVY PLATES & VESSELS PLANT VISAKHAPATNAM - 530012		DRN <b>K.H.THOMAS</b> CHD <b>MVRP/GGR</b> APPD <b>Y.P.KUMAR</b>	DATE <b>14.06.2018</b> <b>14.06.2018</b> <b>14.06.2018</b>
DEPT <b>HTE</b>	ALL DIMENSIONS ARE IN MM	PROJECTION	SCALE <b>N.T.S.</b>
CODE <b>320</b>	WEIGHT (Kg) <b>18.400</b>	REF TO ASSY / OLD DWG	
TITLE <b>BENT PANEL</b>			DRAWING NO : <b>3-04-114-U8229</b>
			REV <b>00</b>

FIRST ANGLE PROJECTION

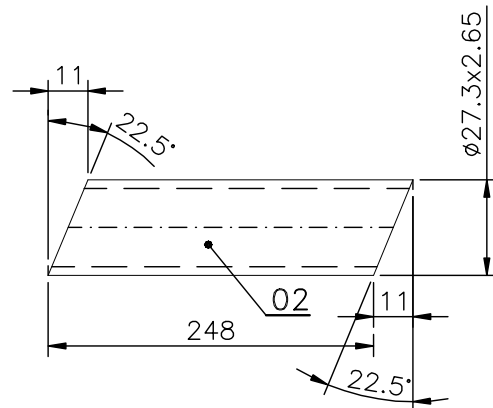
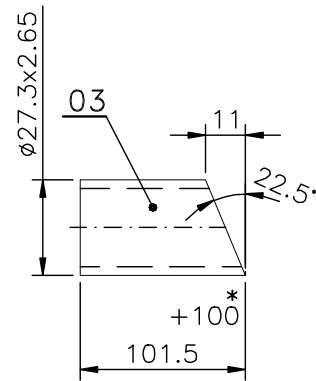
(ALL DIMENSIONS ARE IN mm)

3-04-114-U8230  
DRG. NO.

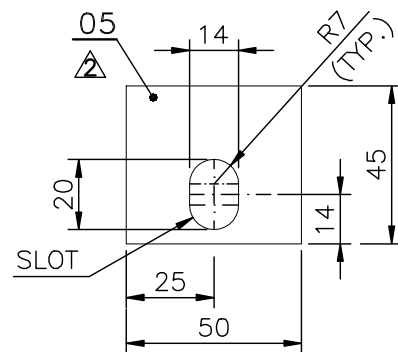


NOTE:

\* THE EXTRA LENGTH OF 100 MM IS TO BE CUT OFF DURING ASSY. AT SHOP.



3 ∇ - E 7018 - 2 Nos.  
3 ▽ - E 7018 - 1.0 M



VARIANT No.	ITEM No.	DESCRIPTION	STD	DRAWING No.	ITEM No.	MATL.CODE	UNIT	UNIT WT.(Kg.)
	05	PLATE 5 45 x 50			15 601 808	ASMESAS2062E250N(FE410W)		0.088
	04	SHEET 3.15 D 22			15 011 182	IS 1079D		0.010
	03	TUBE D 27.3x2.65; 101.5 <sup>+100</sup> LONG			15 605 012	IS 1239		0.160
	02	TUBE D 27.3x2.65; 259 LONG			15 605 012	IS 1239		0.400
	01	TUBE D 27.3x2.65; 8378.3 LONG			15 605 012	IS 1239		13.200

INVENTORY NO SIGN. AND DATE REF. DRG. NO. COMPUTER FILE NAME THE INFORMATION ON THIS DOCUMENT IS THE PROPERTY OF BHARAT HEAVY ELECTRICALS LIMITED. IT MUST NOT BE USED DIRECTLY OR INDIRECTLY IN ANY WAY DETRIMENTAL TO THE INTEREST OF THE COMPANY

REV	DATE	ALTERED :	REV	DATE	ALTERED :
02		CHD & APPD:	01		CHD & APPD :
ZONE			ZONE		

**CAUTION:** The information on this document is the property of BHARAT HEAVY ELECTRICALS LTD. It must not be used directly or indirectly in any way detrimental to the interest of the company.

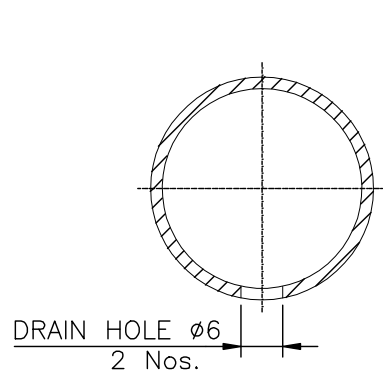
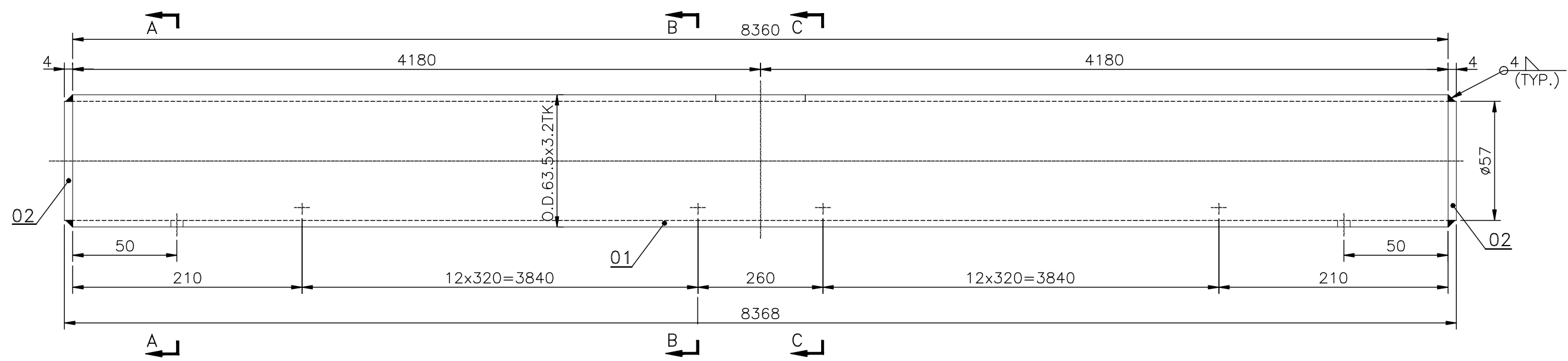
TYPE OF PRODUCT OR NAME OF CUSTOMER/PROJECT			
		Bharat Heavy Electricals Ltd UNIT: HEAVY PLATES & VESSELS PLANT VISAKHAPATNAM - 530012	
DRN	K.H.THOMAS	DATE	14.06.2018
CHD	MVRP/GGR	DATE	14.06.2018
APPD	Y.P.KUMAR	DATE	14.06.2018
DEPT	HTE	SCALE	N.T.S.
CODE	320	WEIGHT (Kg)	14.562
TITLE		DRAWING NO :	
CBD HEADER		3-04-114-U8230	
		REV	00

FIRST ANGLE PROJECTION

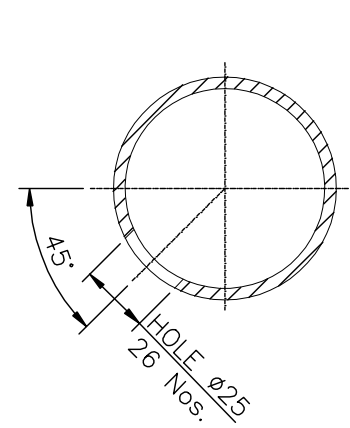
(ALL DIMENSIONS ARE IN mm)

3-04-114-U8231  
DRG. NO.

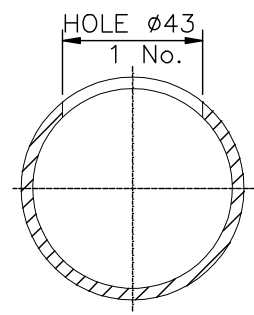
4Δ - E 7018 - 0.36m



SECTION-AA



SECTION-BB



SECTION-CC

VARIANT No.	ITEM No.	DESCRIPTION	STD	DRAWING No.	ITEM No.	MATL.CODE	UNIT	UNIT WT.(Kg.)
	02	SHEET 4 TK. D57			15 011 334	IS 1079D		0.2
	01	TUBE D 63.5 x 3.2; 8360 LONG			15 617 135	SA 192	C	42.410
							D1	1
								1

THE INFORMATION ON THIS DOCUMENT IS THE PROPERTY OF BHARAT HEAVY ELECTRICALS LIMITED. IT MUST NOT BE USED DIRECTLY OR INDIRECTLY IN ANY WAY DETRIMENTAL TO THE INTEREST OF THE COMPANY.

COMPUTER FILE NAME  
SIGN. AND DATE  
REF. DRG. NO.  
INVENTORY NO

REV	DATE	ALTERED :	REV	DATE	ALTERED :
02		CHD & APPD:	01		CHD & APPD :
ZONE			ZONE		

**CAUTION:** The information on this document is the property of BHARAT HEAVY ELECTRICALS LTD. It must not be used directly or indirectly in any way detrimental to the interest of the company.

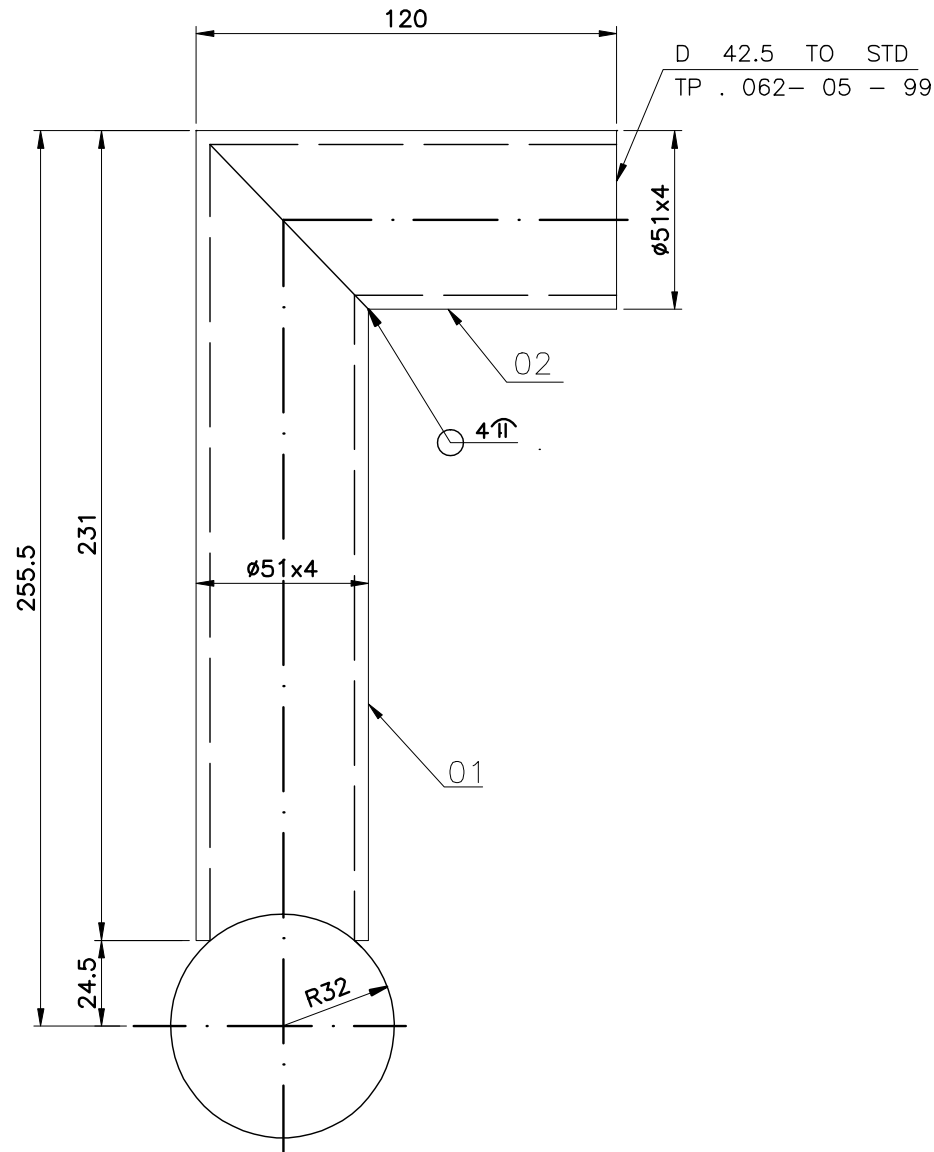
TYPE OF PRODUCT OR NAME OF CUSTOMER/PROJECT			
Bharat Heavy Electricals Ltd UNIT: HEAVY PLATES & VESSELS PLANT VISAKHAPATNAM - 530012		NAME <b>K.H.THOMAS</b>	DATE <b>14.06.2018</b>
DEPT <b>HTE</b>	ALL DIMENSIONS ARE IN MM	PROJECTION 	SCALE <b>N.T.S.</b>
CODE <b>320</b>	WEIGHT (Kg) <b>42.610</b>	REF TO ASSY / OLD DWG	DATE <b>14.06.2018</b>
TITLE <b>FEED HEADER</b>		DRAWING NO : <b>3-04-114-U8231</b>	REV <b>00</b>

FIRST ANGLE PROJECTION

(ALL DIMENSIONS ARE IN mm)

DRG. NO. 3-04-114-U8232

4Π - E7018 - 0.227 M



VARIET NO.	ITEM NO.	DESCRIPTION	STD	DRAWING No.	ITEM NO.	MATL. CODE	A	UNIT	UNIT WT.	CS
					VAR. NO.	MATL. SPEC.	C	D	QTY.	
	02	TUBE D 51X4 120 LONG				15 617 132 SA 192	C		0.630 1	
	01	TUBE D 51X4 231 LONG				15 617 132 SA 192	C		1.200 1	

INVENTORY NO. SIGN. AND DATE REF. DRG. NO. COMPUTER FILE NAME THE INFORMATION ON THIS DOCUMENT IS THE PROPERTY OF BHARAT HEAVY ELECTRICALS LIMITED. IT MUST NOT BE USED DIRECTLY OR INDIRECTLY IN ANY WAY DETRIMENTAL TO THE INTEREST OF THE COMPANY.

REV	DATE	ALTERED :	REV	DATE	ALTERED :
02		CHD & APPD:	01		CHD & APPD :
ZONE			ZONE		

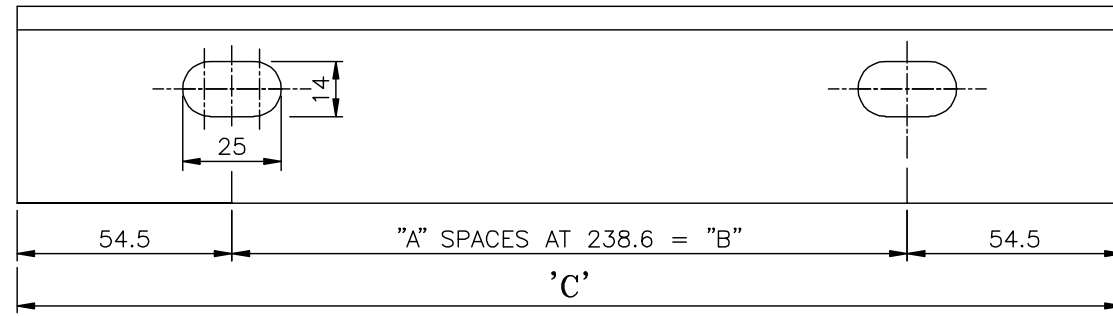
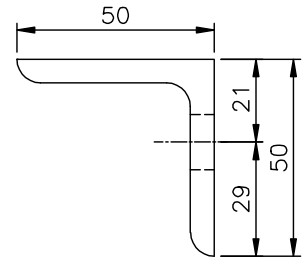
**CAUTION:** The information on this document is the property of BHARAT HEAVY ELECTRICALS LTD. It must not be used directly or indirectly in any way detrimental to the interest of the company.

TYPE OF PRODUCT OR NAME OF CUSTOMER/PROJECT				NAME		DATE	
Bharat Heavy Electricals Ltd UNIT: HEAVY PLATES & VESSELS PLANT VISAKHAPATNAM - 530012				DRN	K.H.THOMAS	14.06.2018	
				CHD	MVRP/GGR	14.06.2018	
				APPD	Y.P.KUMAR	14.06.2018	
DEPT	HTE	ALL DIMENSIONS ARE IN MM	PROJECTION	SCALE	WEIGHT (Kg)	REF TO ASSY / OLD DWG	
CODE	320			N.T.S.	1.830		
TITLE						DRAWING NO :	REV
FEED TUBE						3-04-114-U8232	00

FIRST ANGLE PROJECTION

(ALL DIMENSIONS ARE IN mm)

DRG. NO. 3-04-114-U8233



STYLE NO	BOILER SIZE	A	B	C
4	24 VP-14W	30	7158	7267
6	27 VP-14W	34	8112.4	8221.4

STYLE No.	ITEM No.	BPS	REF. DRG./BPS No.	RVN	MATERIAL CODE	A	COMP GROUP	UNIT wt.(kg)	BMI	DI	DESCRIPTION/REMARKS
06					15 013 008 ASME SA IS 2062			3.170			ISA 50x50x6 8221.4 LONG
04					15 013 008 ASME SA IS 2062			3.27			ISA 50x50x6 7267 LONG

INVENTORY NO. SIGN. AND DATE. REF. DRG. NO. COMPUTER FILE NAME. THE INFORMATION ON THIS DOCUMENT IS THE PROPERTY OF BHARAT HEAVY ELECTRICALS LIMITED. IT MUST NOT BE USED DIRECTLY OR INDIRECTLY IN ANY WAY DETRIMENTAL TO THE INTEREST OF THE COMPANY.

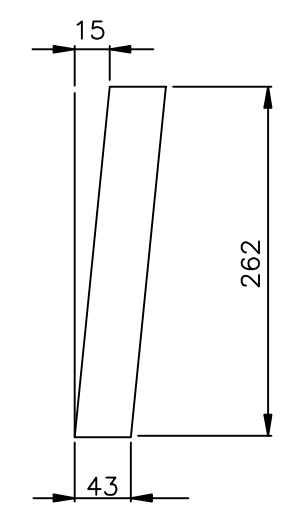
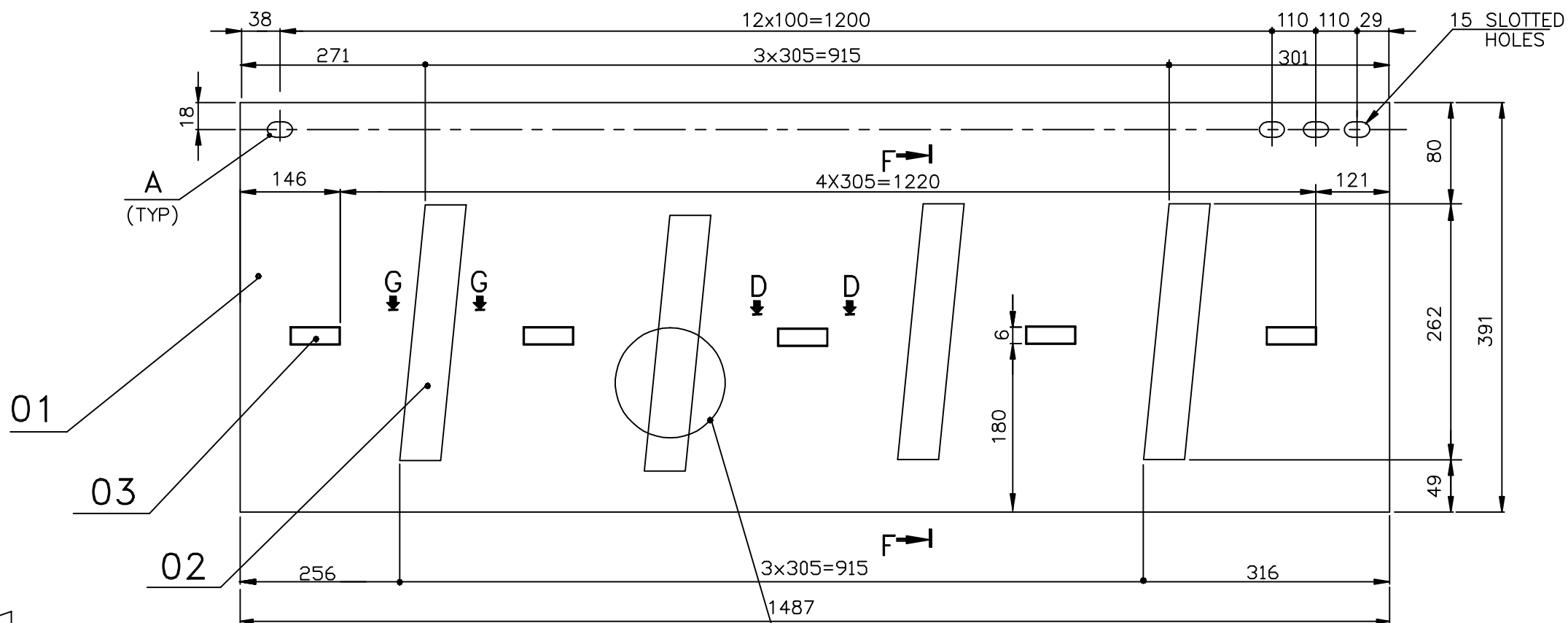
REV	DATE	ALTERED :	REV	DATE	ALTERED :
02		CHD & APPD:	01		CHD & APPD :
ZONE			ZONE		

**CAUTION:** The information on this document is the property of BHARAT HEAVY ELECTRICALS LTD. It must not be used directly or indirectly in any way detrimental to the interest of the company.

TYPE OF PRODUCT OR NAME OF CUSTOMER/PROJECT			
		Bharat Heavy Electricals Ltd UNIT: HEAVY PLATES & VESSELS PLANT VISAKHAPATNAM - 530012	
DEPT	HTE	DRN	K.H.THOMAS
CODE	320	CHD	MVRP/GGR
		APPD	Y.P.KUMAR
PROJECTION	SCALE	WEIGHT (Kg)	REF TO ASSY / OLD DWG
	N.T.S.	37.000	
TITLE			REV
ANGLE			00

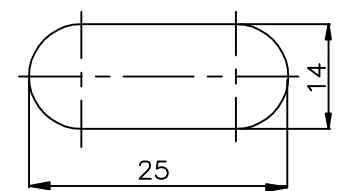
3-04-116-U8159 DRAWING NO.

ALL DIMENSIONS ARE IN MILLIMETERS



**DETAIL-B**  
(TYPICAL SLOTTED HOLE IN THE DUCT PLATE)

01  
03  
02



**DETAIL-A**

VARIANT NUMBER	ITEM NUMBER	DESCRIPTION	STD	DRAWING NUMBER	ITEM NO	MATERIAL CODE	A/C	UNIT	UNIT WEIGHT	QTY
					VAR NO	MATERIAL SPECN		D1	QUANTITY	
	03	HOOK; PL.6X32X50		4-04-116-U8163		15 211 092			0.080	
						IS 2062 E250A			5	
	02	CONNECTING DUCT-I		2-04-116-U8080		WELDMENT			2.120	
									4	
	01	DUCT PLATE PL.6X391X1487				15 211 092			25.300	
						IS 2062 FE410A			1	

**NOTE:-**

FOR SECTION DD, GG, & FF REFER DRG.No.3-04-116-U8192

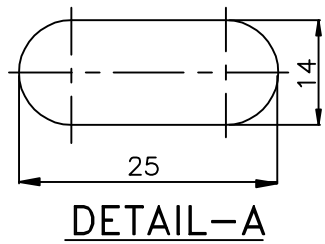
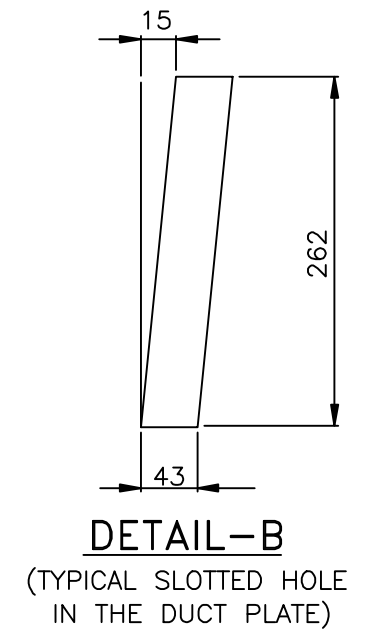
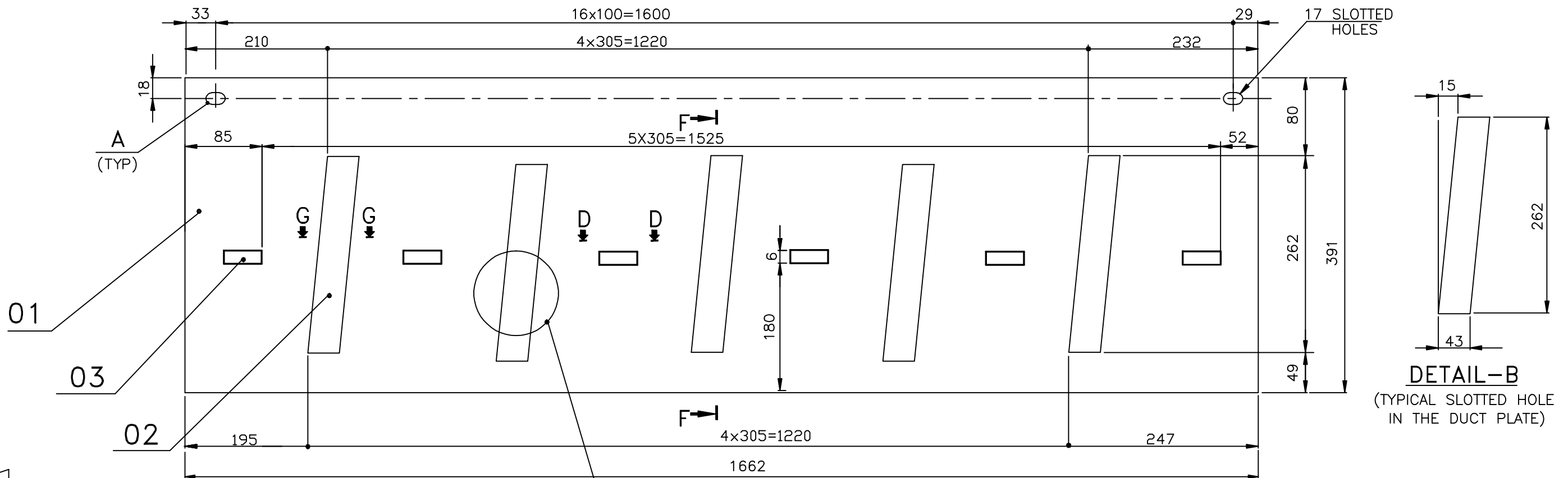
REV	DATE	ALTERED :	CHECKED :
01			
ZONE			

CAUTION: The information on this document is the property of BHARAT HEAVY ELECTRICALS LTD. It must not be used directly or indirectly in any way detrimental to the interest of the company.

TYPE OF PRODUCT OR NAME OF CUSTOMER/PROJECT					
 361-257	Bharat Heavy Electricals Ltd		DRN	NAME	DATE
	UNIT: HEAVY PLATES AND VESSELS PLANT		CHD	K.H.THOMAS	28.04.18
	VISAKHAPATNAM - 530012		APPD	MVRP/GGR	28.04.18
DEPT	ALL DIMENSIONS ARE IN MM	SCALE	WEIGHT (Kg)	REF TO ASSY / OLD DWG	
HT ENGG		N.T.S	34.180	3-04-116-84615	
CODE				DRAWING NO :	
320				3-04-116-U8159	
TITLE				REV	
DUCT PLATE ASSEMBLY				00	

3-04-116-U8160 DRAWING NO.

ALL DIMENSIONS ARE IN MILLIMETERS



VARIANT NUMBER	ITEM NUMBER	DESCRIPTION	STD	DRAWING NUMBER	ITEM NO	MATERIAL CODE	A/C	UNIT	UNIT WEIGHT	QTY
					VAR NO	MATERIAL SPECN		D1	QUANTITY	
	03	HOOK; PL.6X32X50		4-04-116-U8163		15 211 092			0.080	
						IS 2062 E250A			6	
	02	CONNECTING DUCT-I		2-04-116-U8080		WELDMENT			2.120	
									5	
	01	DUCT PLATE PL.6X391X1662				15 211 092			30.607	
						IS 2062 FE410A			1	

**NOTE:-**

FOR SECTION DD, GG, & FF REFER DRG.No.3-04-116-U8192

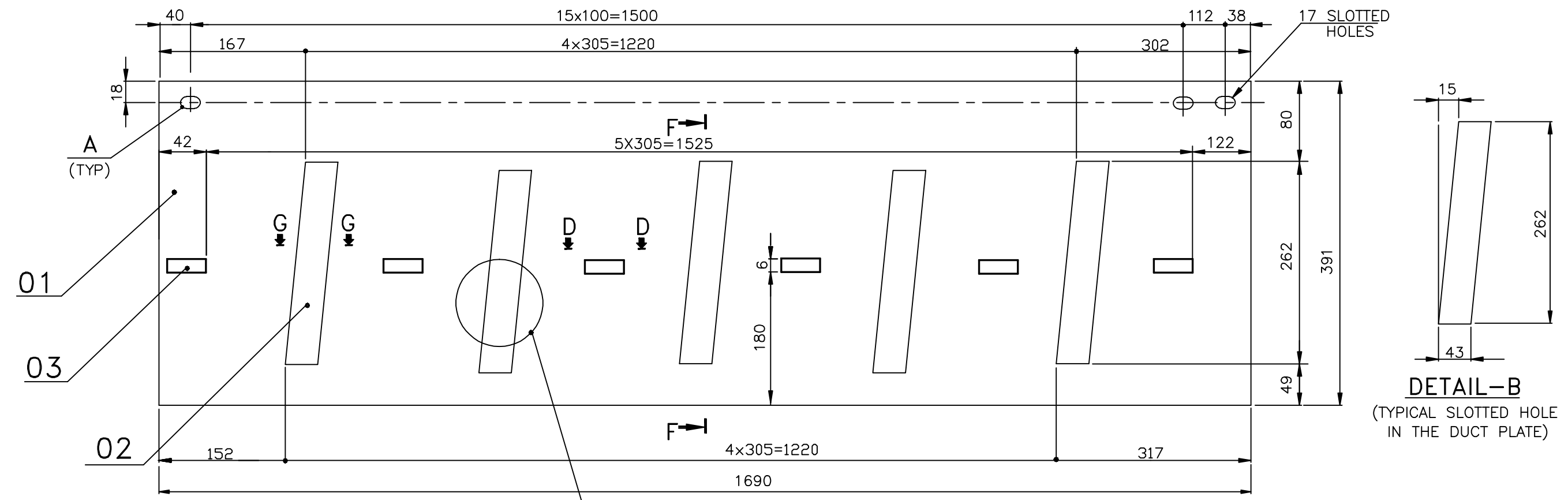
REV	DATE	ALTERED :	CHECKED :
01			
ZONE			

CAUTION: The information on this document is the property of BHARAT HEAVY ELECTRICALS LTD. It must not be used directly or indirectly in any way detrimental to the interest of the company.				TYPE OF PRODUCT OR NAME OF CUSTOMER/PROJECT					
				DEPT HT ENGG CODE 320		ALL DIMENSIONS ARE IN MM		SCALE N.T.S	
DEPT HT ENGG CODE 320		ALL DIMENSIONS ARE IN MM		SCALE N.T.S		WEIGHT (Kg) 41.687		REF TO ASSY / OLD DWG 3-04-116-84616	
TITLE DUCT PLATE ASSEMBLY						DRAWING NO : 3-04-116-U8160		REV 00	

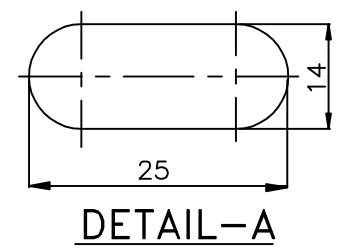
BHARAT HEAVY ELECTRICALS LTD 361-257	Bharat Heavy Electricals Ltd UNIT: HEAVY PLATES AND VESSELS PLANT VISAKHAPATNAM - 530012		DRN	NAME	DATE
	CHD	MVRP/GGR		K.H.THOMAS	28.04.18
	APPD	Y.PRASANNA KUMAR			28.04.18

3-04-116-U8161  
DRAWING NO.

ALL DIMENSIONS ARE IN MILLIMETERS



**DETAIL-B**  
(TYPICAL SLOTTED HOLE IN THE DUCT PLATE)



**DETAIL-A**

VARIANT NUMBER	ITEM NUMBER	DESCRIPTION	STD	DRAWING NUMBER	ITEM NO	MATERIAL CODE	A/C	UNIT	UNIT WEIGHT	QTY
					VAR NO	MATERIAL SPECN		D1	QUANTITY	
	03	HOOK; PL.6X32X50		4-04-116-U8163		15 211 092			0.080	
						IS 2062 E250A			6	
	02	CONNECTING DUCT-I		2-04-116-U8080		WELDMENT			2.120	
									5	
	01	DUCT PLATE PL.6X391X1690				15 211 092			31.123	
						IS 2062 FE410A			1	

**NOTE:-**

FOR SECTION DD, GG, & FF REFER DRG.No.3-04-116-U8192

REV	DATE	ALTERED :	CHECKED :
01			
ZONE			

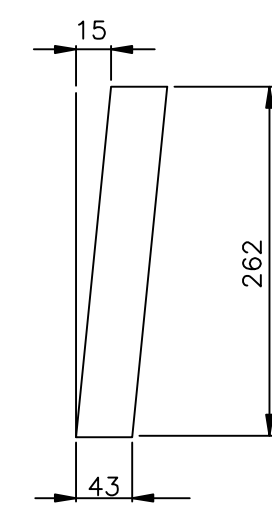
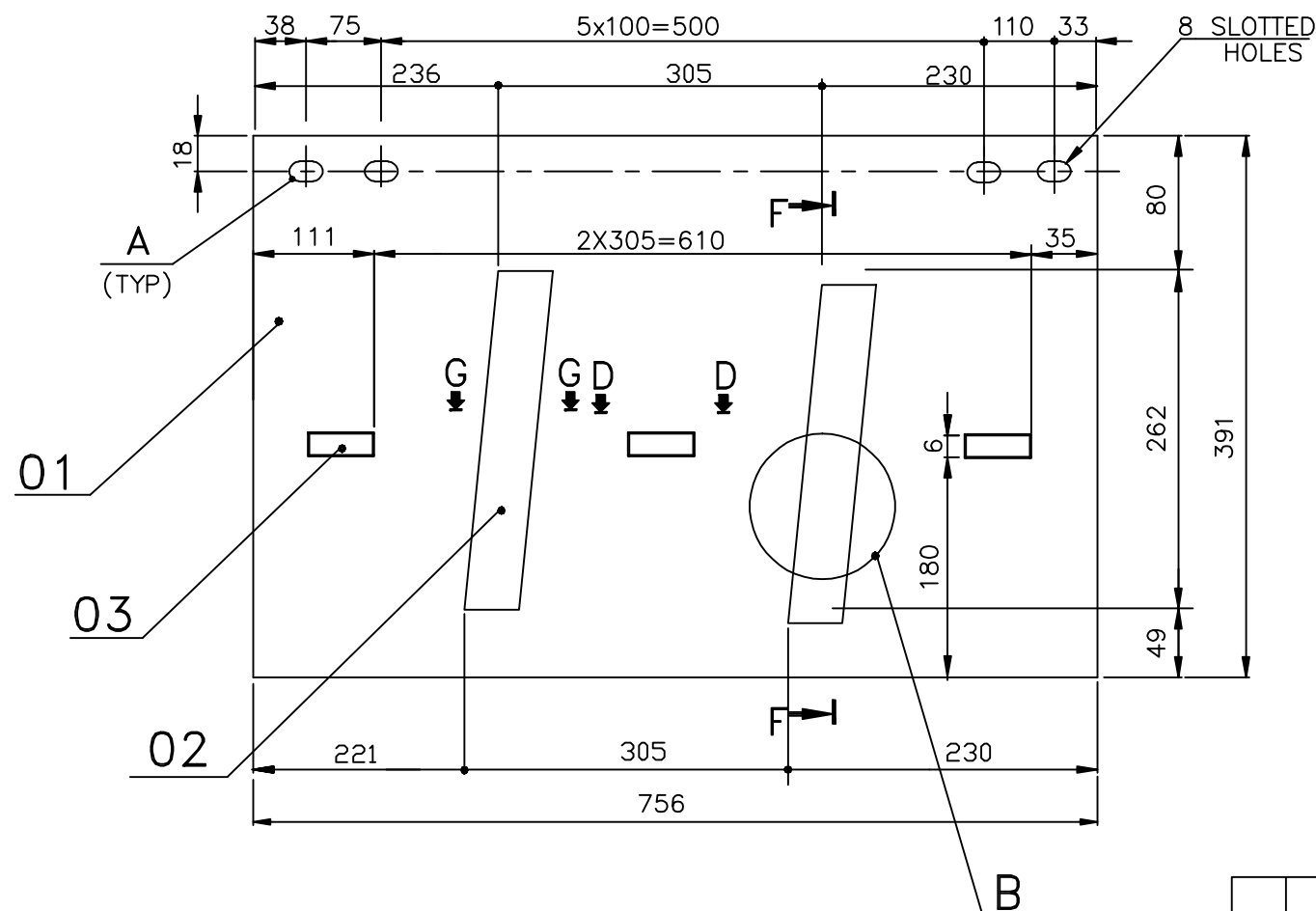
CAUTION: The information on this document is the property of BHARAT HEAVY ELECTRICALS LTD. It must not be used directly or indirectly in any way detrimental to the interest of the company.

TYPE OF PRODUCT OR NAME OF CUSTOMER/PROJECT					
	Bharat Heavy Electricals Ltd		DRN	NAME	DATE
	UNIT: HEAVY PLATES AND VESSELS PLANT		CHD	K.H.THOMAS	28.04.18
	VISAKHAPATNAM - 530012		APPD	MVRP/GGR	28.04.18
DEPT	ALL DIMENSIONS ARE IN MM	SCALE	WEIGHT (Kg)	REF TO ASSY / OLD DWG	
HT ENGG		N.T.S	42.203	3-04-116-84617	
CODE				DRAWING NO :	
320				3-04-116-U8161	
TITLE				REV	
DUCT PLATE ASSEMBLY				00	

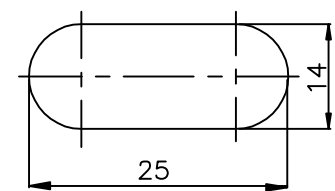
3-04-116-U8162

DRAWING NO.:

ALL DIMENSIONS ARE IN MILLIMETERS



**DETAIL-B**  
(TYPICAL SLOTTED HOLE IN THE DUCT PLATE)



**DETAIL-A**

**NOTE:-**

FOR SECTION DD, GG, & FF REFER DRG.No.3-04-116-U8192

VARIANT NUMBER	ITEM NUMBER	DESCRIPTION	STD	DRAWING NUMBER	ITEM NO	MATERIAL CODE	A/C	UNIT	UNIT WEIGHT
					VAR NO	MATERIAL SPECN	D1	QUANTITY	
	03	HOOK; PL.6X32X50		4-04-116-U8163		15 211 092		0.080	
						IS 2062 E250A		3	
	02	CONNECTING DUCT-I		2-04-116-U8080		WELDMENT		2.120	
								2	
	01	DUCT PLATE PL.6X391X756				15 211 092		13.920	
						IS 2062 FE410A		1	

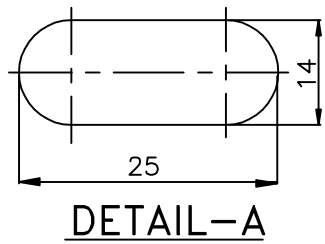
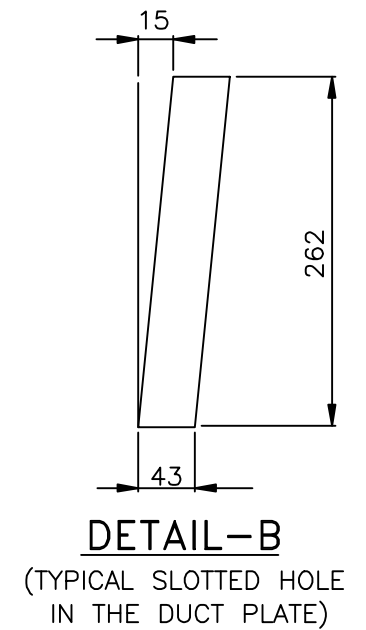
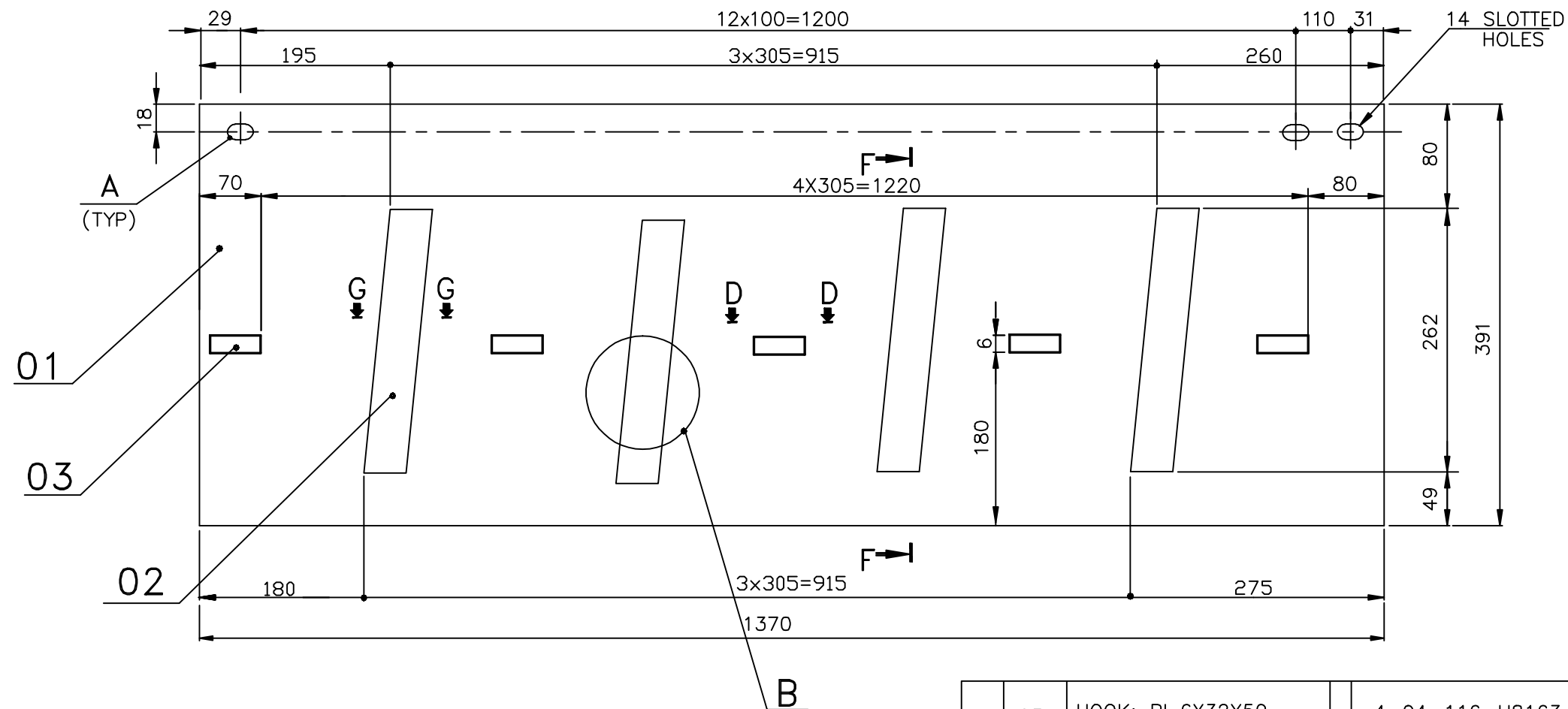
REV	DATE	ALTERED :
01		CHECKED :
ZONE		

CAUTION: The information on this document is the property of BHARAT HEAVY ELECTRICALS LTD. It must not be used directly or indirectly in any way detrimental to the interest of the company.

TYPE OF PRODUCT OR NAME OF CUSTOMER/PROJECT			
 361-257	Bharat Heavy Electricals Ltd		NAME
	UNIT: HEAVY PLATES AND VESSELS PLANT		K.H.THOMAS
	VISAKHAPATNAM - 530012		DATE
DEPT	ALL DIMENSIONS ARE IN MM	SCALE	DRN
HT ENGG		N.T.S	320
CODE		WEIGHT (Kg)	CHD
320		18.400	MVRP/GGR
TITLE		REF TO ASSY / OLD DWG	APPD
DUCT PLATE ASSEMBLY		3-04-116-84618	Y.PRASANNA KUMAR
		DRAWING NO :	DATE
		3-04-116-U8162	28.04.18
		REV	
		00	

3-04-116-U8163  
DRAWING NO.

ALL DIMENSIONS ARE IN MILLIMETERS



VARIANT NUMBER	ITEM NUMBER	DESCRIPTION	STD	DRAWING NUMBER	ITEM NO	MATERIAL CODE	A/C	UNIT	UNIT WEIGHT	QTY
					VAR NO	MATERIAL SPECN		D1	QUANTITY	
	03	HOOK; PL.6X32X50		4-04-116-U8163		15 211 092			0.080	
						IS 2062 E250A			5	
	02	CONNECTING DUCT-I		2-04-116-U8080		WELDMENT			2.120	
									4	
	01	DUCT PLATE PL.6X391X1370				15 211 092			23.200	
						IS 2062 FE410A			1	

**NOTE:-**

FOR SECTION DD, GG, & FF REFER DRG.No.3-04-116-U8192

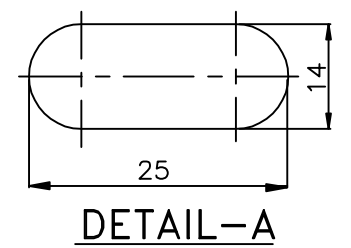
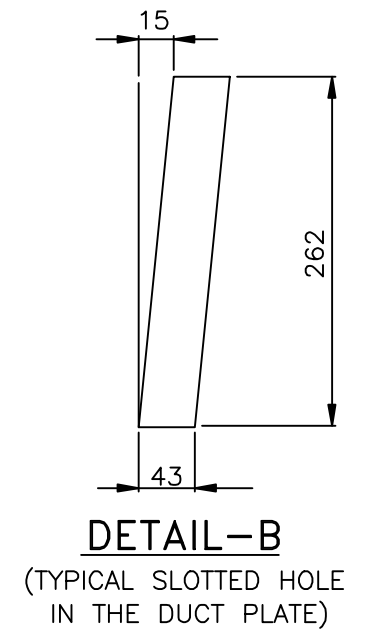
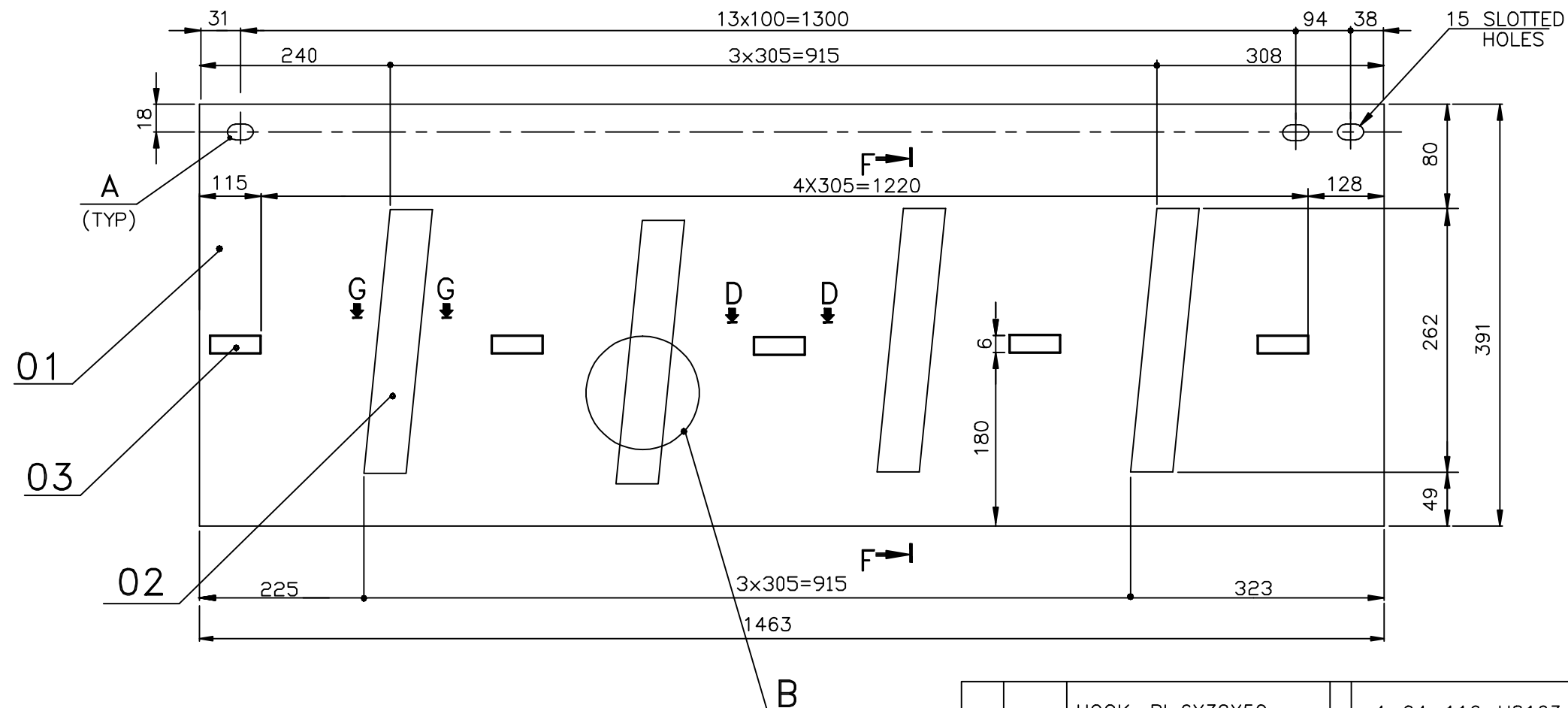
REV	DATE	ALTERED :	CHECKED :
01			
ZONE			

CAUTION: The information on this document is the property of BHARAT HEAVY ELECTRICALS LTD. It must not be used directly or indirectly in any way detrimental to the interest of the company.

TYPE OF PRODUCT OR NAME OF CUSTOMER/PROJECT					
 361-257	Bharat Heavy Electricals Ltd		DRN	NAME	DATE
	UNIT: HEAVY PLATES AND VESSELS PLANT		CHD	K.H.THOMAS	28.04.18
	VISAKHAPATNAM - 530012		APPD	MVRP/GGR	28.04.18
		Y.PRASANNA KUMAR	28.04.18		
DEPT HT ENGG	ALL DIMENSIONS ARE IN MM	SCALE	WEIGHT (Kg)	REF TO ASSY / OLD DWG	
CODE 320		N.T.S	32.080	3-04-116-84619	
TITLE				DRAWING NO :	REV
DUCT PLATE ASSEMBLY				3-04-116-U8163	00

DRAWING NO: 3-04-116-U8164

ALL DIMENSIONS ARE IN MILLIMETERS



VARIANT NUMBER	ITEM NUMBER	DESCRIPTION	STD	DRAWING NUMBER	ITEM NO	MATERIAL CODE	A/C	UNIT	UNIT WEIGHT	QTY
					VAR NO	MATERIAL SPECN		D1	QUANTITY	
	03	HOOK; PL.6X32X50		4-04-116-U8163		15 211 092			0.080	
						IS 2062 E250A			5	
	02	CONNECTING DUCT-I		2-04-116-U8080		WELDMENT			2.120	
									4	
	01	DUCT PLATE PL.6X391X1463				15 211 092			24.900	
						IS 2062 FE410A			1	

**NOTE:-**

FOR SECTION DD, GG, & FF REFER DRG.No.3-04-116-U8192

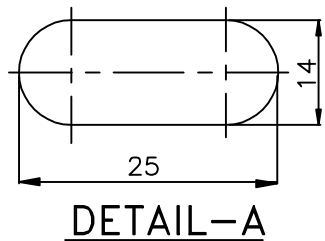
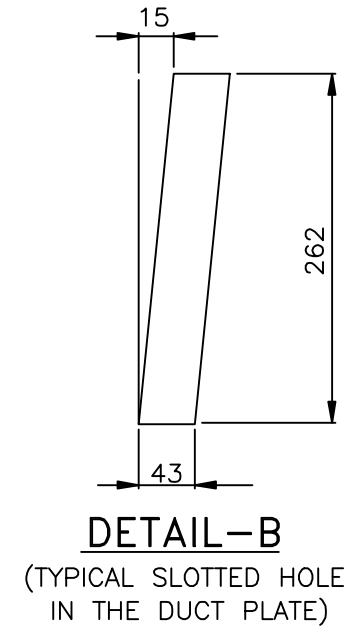
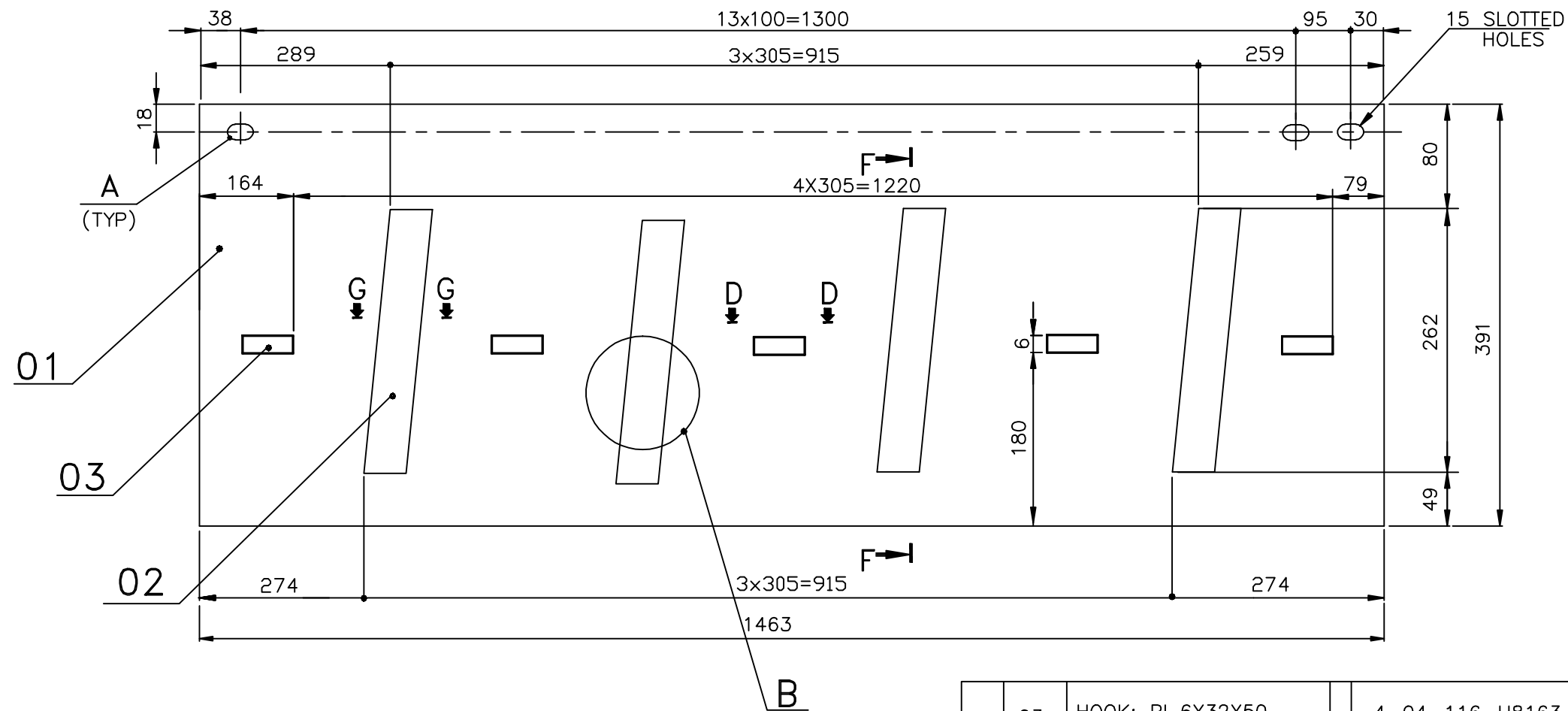
REV	DATE	ALTERED :	CHECKED :
01			
ZONE			

CAUTION: The information on this document is the property of BHARAT HEAVY ELECTRICALS LTD. It must not be used directly or indirectly in any way detrimental to the interest of the company.

TYPE OF PRODUCT OR NAME OF CUSTOMER/PROJECT					
 361-257	Bharat Heavy Electricals Ltd		DRN	NAME	DATE
	UNIT: HEAVY PLATES AND VESSELS PLANT		CHD	K.H.THOMAS	28.04.18
	VISAKHAPATNAM - 530012		APPD	MVRP/GGR	28.04.18
		Y.PRASANNA KUMAR	28.04.18		
DEPT	ALL DIMENSIONS ARE IN MM	SCALE	WEIGHT (Kg)	REF TO ASSY / OLD DWG	
HT ENGG		N.T.S	33.780	3-04-116-84620	
CODE				DRAWING NO :	
320				3-04-116-U8164	
TITLE				REV	
DUCT PLATE ASSEMBLY				00	

3-04-116-U8165  
DRAWING NO.

ALL DIMENSIONS ARE IN MILLIMETERS



VARIANT NUMBER	ITEM NUMBER	DESCRIPTION	STD	DRAWING NUMBER	ITEM NO	MATERIAL CODE	A/C	UNIT	UNIT WEIGHT	QTY
					VAR NO	MATERIAL SPECN		D1	QUANTITY	
	03	HOOK; PL.6X32X50		4-04-116-U8163		15 211 092			0.080	
						IS 2062 E250A			5	
	02	CONNECTING DUCT-I		2-04-116-U8080		WELDMENT			2.120	
									4	
	01	DUCT PLATE PL.6X391X1463				15 211 092			24.900	
						IS 2062 FE410A			1	

**NOTE:-**

FOR SECTION DD, GG, & FF REFER DRG.No.3-04-116-U8192

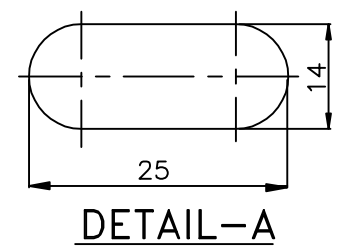
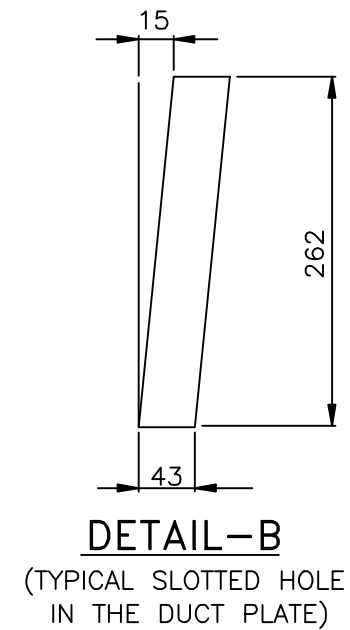
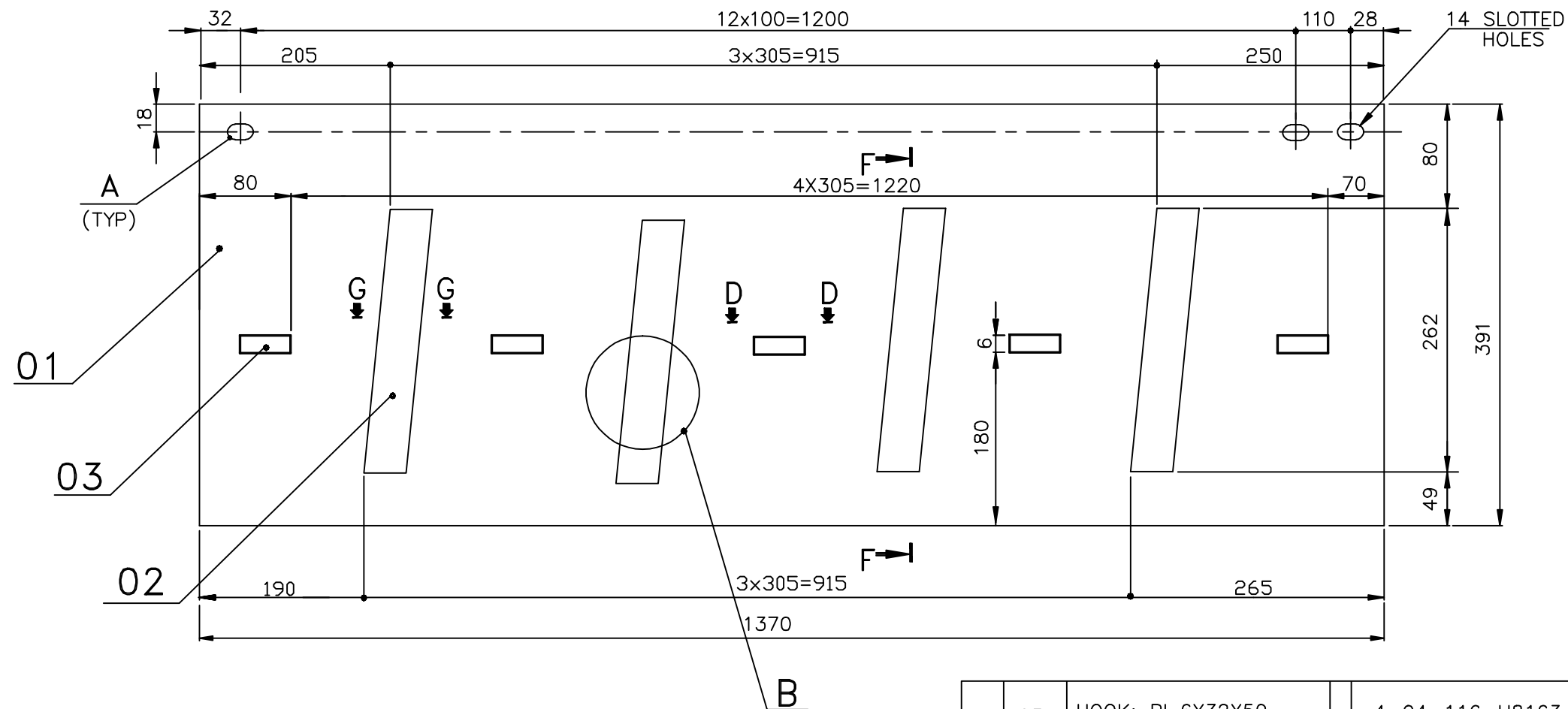
REV	DATE	ALTERED :
01		CHECKED :
ZONE		

CAUTION: The information on this document is the property of BHARAT HEAVY ELECTRICALS LTD. It must not be used directly or indirectly in any way detrimental to the interest of the company.

TYPE OF PRODUCT OR NAME OF CUSTOMER/PROJECT					
 361-257	Bharat Heavy Electricals Ltd		DRN	NAME	DATE
	UNIT: HEAVY PLATES AND VESSELS PLANT		CHD	K.H.THOMAS	28.04.18
	VISAKHAPATNAM - 530012		APPD	MVRP/GGR	28.04.18
DEPT	ALL DIMENSIONS ARE IN MM	SCALE	WEIGHT (Kg)	REF TO ASSY / OLD DWG	
HT ENGG		N.T.S	33.780	3-04-116-84621	
CODE				DRAWING NO :	
320				3-04-116-U8165	
TITLE				REV	
DUCT PLATE ASSEMBLY				00	

3-04-116-U8166  
DRAWING NO.

ALL DIMENSIONS ARE IN MILLIMETERS



VARIANT NUMBER	ITEM NUMBER	DESCRIPTION	STD	DRAWING NUMBER	ITEM NO	MATERIAL CODE	A/C	UNIT	UNIT WEIGHT	QTY
					VAR NO	MATERIAL SPECN		D1	QUANTITY	
	03	HOOK; PL.6X32X50		4-04-116-U8163		15 211 092			0.080	
						IS 2062 E250A			5	
	02	CONNECTING DUCT-I		2-04-116-U8080		WELDMENT			2.120	
									4	
	01	DUCT PLATE PL.6X391X1370				15 211 092			23.200	
						IS 2062 FE410A			1	

**NOTE:-**

FOR SECTION DD, GG, & FF REFER DRG.No.3-04-116-U8192

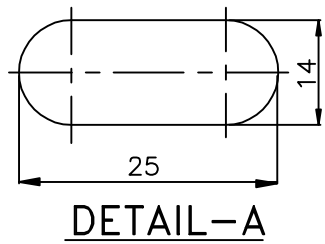
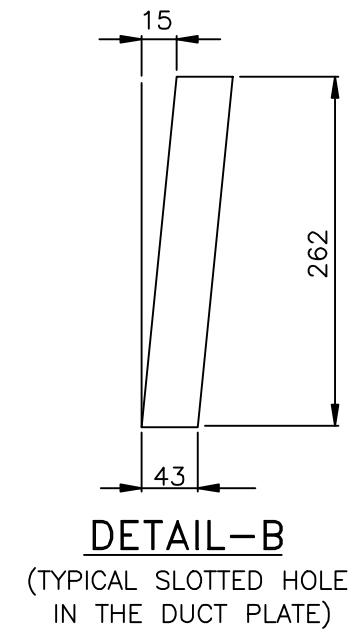
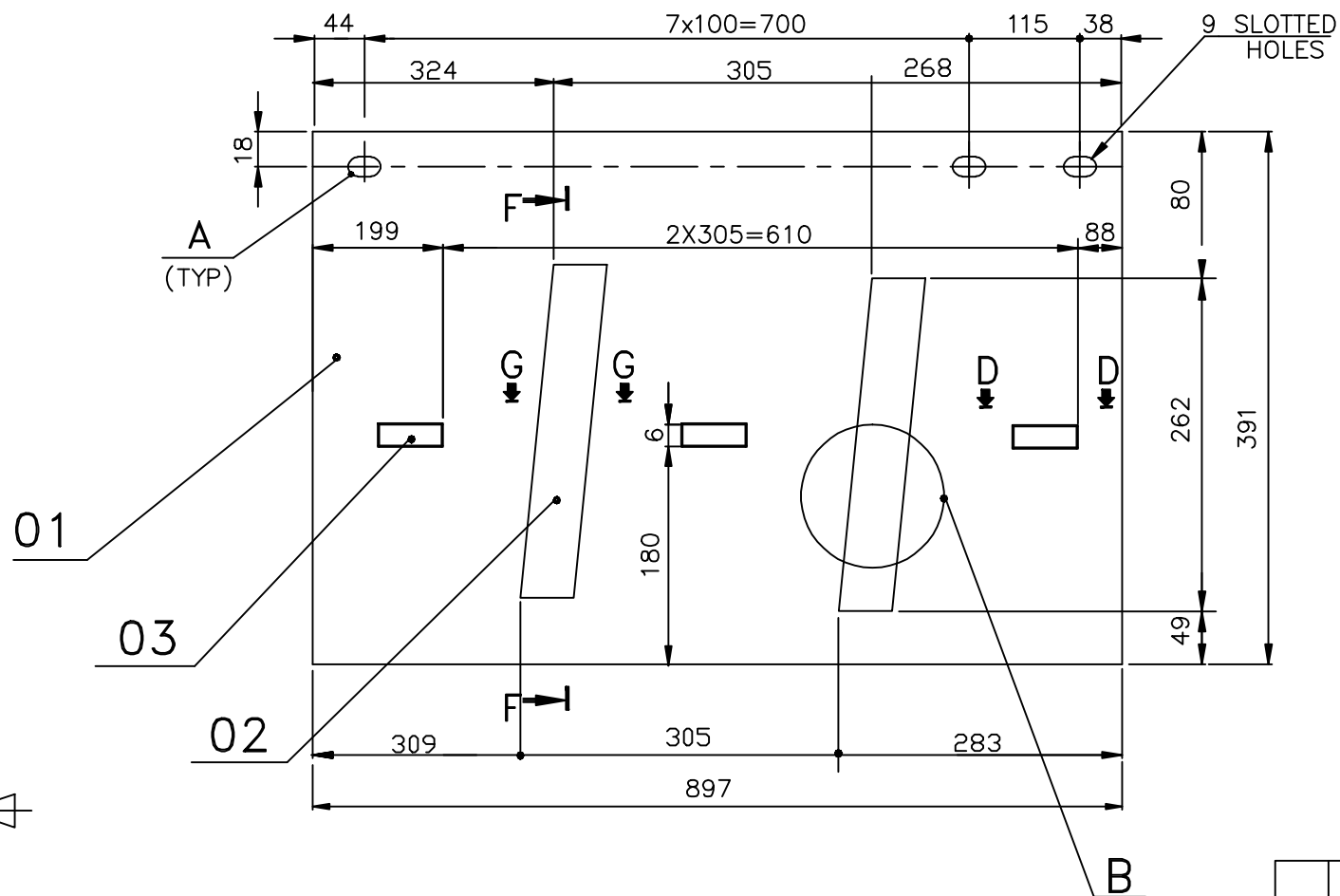
REV	DATE	ALTERED :	CHECKED :
01			
ZONE			

CAUTION: The information on this document is the property of BHARAT HEAVY ELECTRICALS LTD. It must not be used directly or indirectly in any way detrimental to the interest of the company.

TYPE OF PRODUCT OR NAME OF CUSTOMER/PROJECT						
 361-257	Bharat Heavy Electricals Ltd		DRN	NAME	DATE	
	UNIT: HEAVY PLATES AND VESSELS PLANT		CHD	K.H.THOMAS	28.04.18	
	VISAKHAPATNAM - 530012		APPD	MVRP/GGR	28.04.18	
DEPT HT ENGG		ALL DIMENSIONS ARE IN MM	SCALE	WEIGHT (Kg)	REF TO ASSY / OLD DWG	
CODE 320			N.T.S	32.080	3-04-116-84622	
TITLE					DRAWING NO :	REV
DUCT PLATE ASSEMBLY					3-04-116-U8166	00

3-04-116-U8167 DRAWING NO.

ALL DIMENSIONS ARE IN MILLIMETERS



VARIANT NUMBER	ITEM NUMBER	DESCRIPTION	STD	DRAWING NUMBER	ITEM NO	MATERIAL CODE	A/C	UNIT	UNIT WEIGHT	QTY
					VAR NO	MATERIAL SPECN		D1	QUANTITY	
	03	HOOK; PL.6X32X50		4-04-116-U8163		15 211 092			0.080	
						IS 2062 E250A			3	
	02	CONNECTING DUCT-I		2-04-116-U8080		WELDMENT			2.120	
									2	
	01	DUCT PLATE PL.6X391X897				15 211 092			16.520	
						IS 2062 FE410A			1	

**NOTE:-**

FOR SECTION DD, GG, & FF REFER DRG.No.3-04-116-U8192

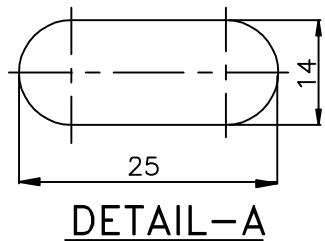
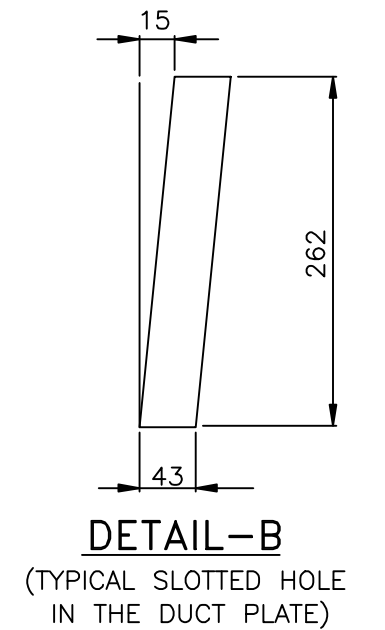
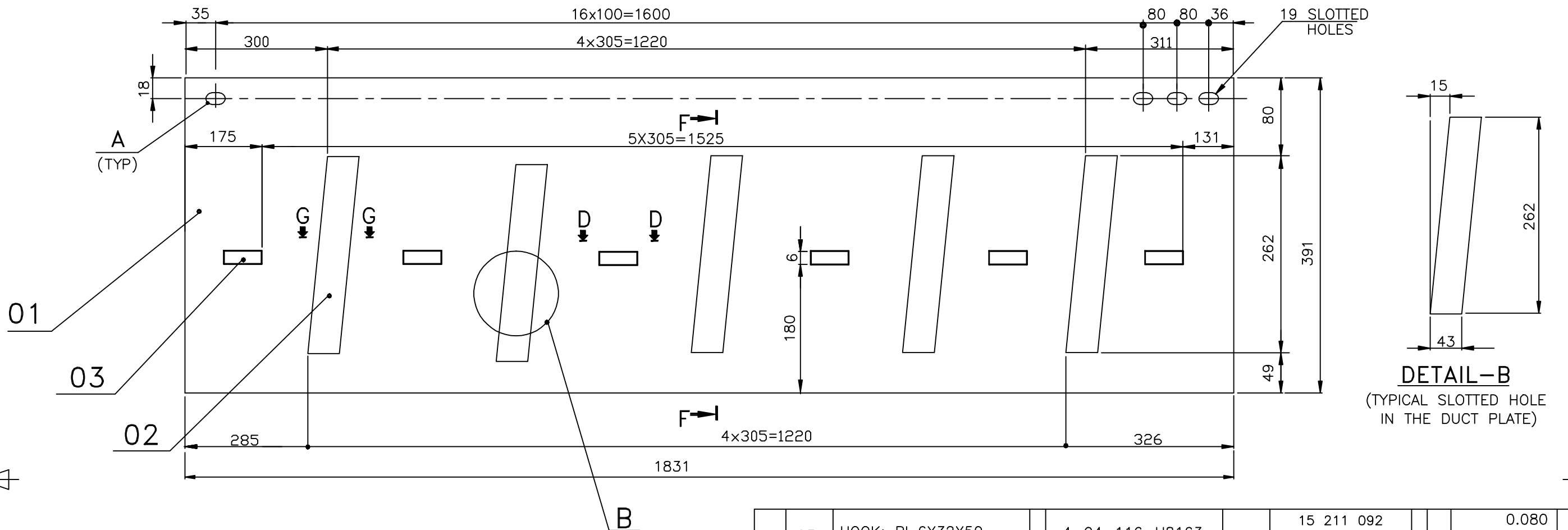
REV	DATE	ALTERED :
01		CHECKED :
ZONE		

TYPE OF PRODUCT OR NAME OF CUSTOMER/PROJECT			
Bharat Heavy Electricals Ltd UNIT: HEAVY PLATES AND VESSELS PLANT VISAKHAPATNAM - 530012		DRN K.H.THOMAS	DATE 28.04.18
DEPT HT ENGG CODE 320		CHD MVRP/GGR	APPD Y.PRASANNA KUMAR 28.04.18
ALL DIMENSIONS ARE IN MM	SCALE N.T.S	WEIGHT (Kg) 21.000	REF TO ASSY / OLD DWG 3-04-116-84623
TITLE DUCT PLATE ASSEMBLY			DRAWING NO : 3-04-116-U8167
			REV 00

CAUTION: The information on this document is the property of BHARAT HEAVY ELECTRICALS LTD. It must not be used directly or indirectly in any way detrimental to the interest of the company.

DRAWING NO: 3-04-116-U8168

ALL DIMENSIONS ARE IN MILLIMETERS



VARIANT NUMBER	ITEM NUMBER	DESCRIPTION	STD	DRAWING NUMBER	ITEM NO	MATERIAL CODE	A/C	UNIT	UNIT WEIGHT	QTY
					VAR NO	MATERIAL SPECN		D1	QUANTITY	
	03	HOOK; PL.6X32X50		4-04-116-U8163		15 211 092			0.080	
						IS 2062 E250A			6	
	02	CONNECTING DUCT-I		2-04-116-U8080		WELDMENT			2.120	
									5	
	01	DUCT PLATE PL.6X391X1831				15 211 092			33.719	
						IS 2062 FE410A			1	

**NOTE:-**

FOR SECTION DD, GG, & FF REFER DRG.No.3-04-116-U8192

REV	DATE	ALTERED :	CHECKED :
01			
ZONE			

CAUTION: The information on this document is the property of BHARAT HEAVY ELECTRICALS LTD. It must not be used directly or indirectly in any way detrimental to the interest of the company.

TYPE OF PRODUCT OR NAME OF CUSTOMER/PROJECT



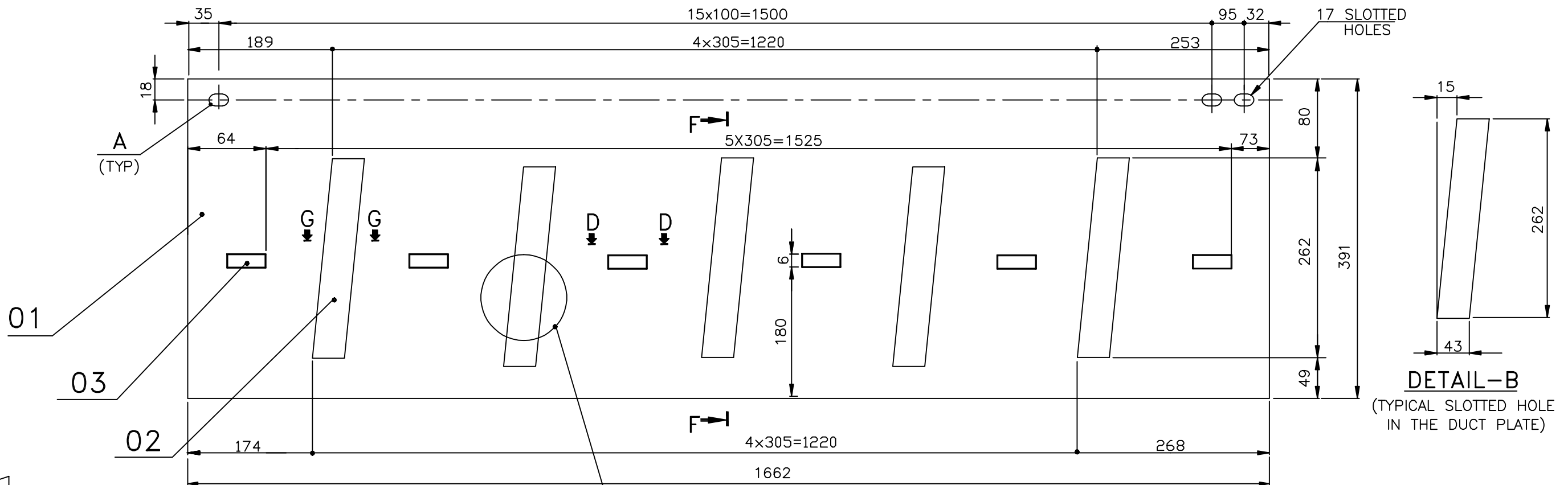
Bharat Heavy Electricals Ltd  
UNIT: HEAVY PLATES AND VESSELS PLANT  
VISAKHAPATNAM - 530012

DRN	NAME	DATE
	K.H.THOMAS	28.04.18
CHD	MVRP/GGR	28.04.18
APPD	Y.PRASANNA KUMAR	28.04.18

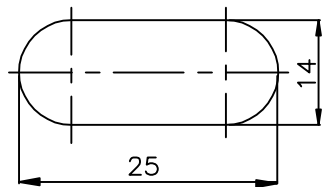
DEPT	HT ENGG	ALL DIMENSIONS ARE IN MM	SCALE	WEIGHT (Kg)	REF TO ASSY / OLD DWG
320			N.T.S	44.799	3-04-116-84624
TITLE					DRAWING NO :
DUCT PLATE ASSEMBLY					3-04-116-U8168
					REV
					00

3-04-116-U8169  
DRAWING NO.

ALL DIMENSIONS ARE IN MILLIMETERS



**DETAIL-B**  
(TYPICAL SLOTTED HOLE IN THE DUCT PLATE)



**DETAIL-A**

VARIANT NUMBER	ITEM NUMBER	DESCRIPTION	STD	DRAWING NUMBER	ITEM NO	MATERIAL CODE	A/C	UNIT	UNIT WEIGHT	QTY
					VAR NO	MATERIAL SPECN		D1	QUANTITY	
	03	HOOK; PL.6X32X50		4-04-116-U8163		15 211 092			0.080	
						IS 2062 E250A			6	
	02	CONNECTING DUCT-I		2-04-116-U8080		WELDMENT			2.120	
									5	
	01	DUCT PLATE PL.6X391X1662				15 211 092			30.607	
						IS 2062 FE410A			1	

**NOTE:-**

FOR SECTION DD, GG, & FF REFER DRG.No.3-04-116-U8192

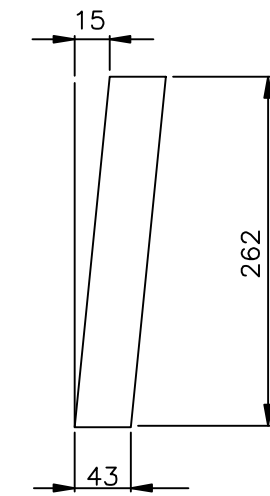
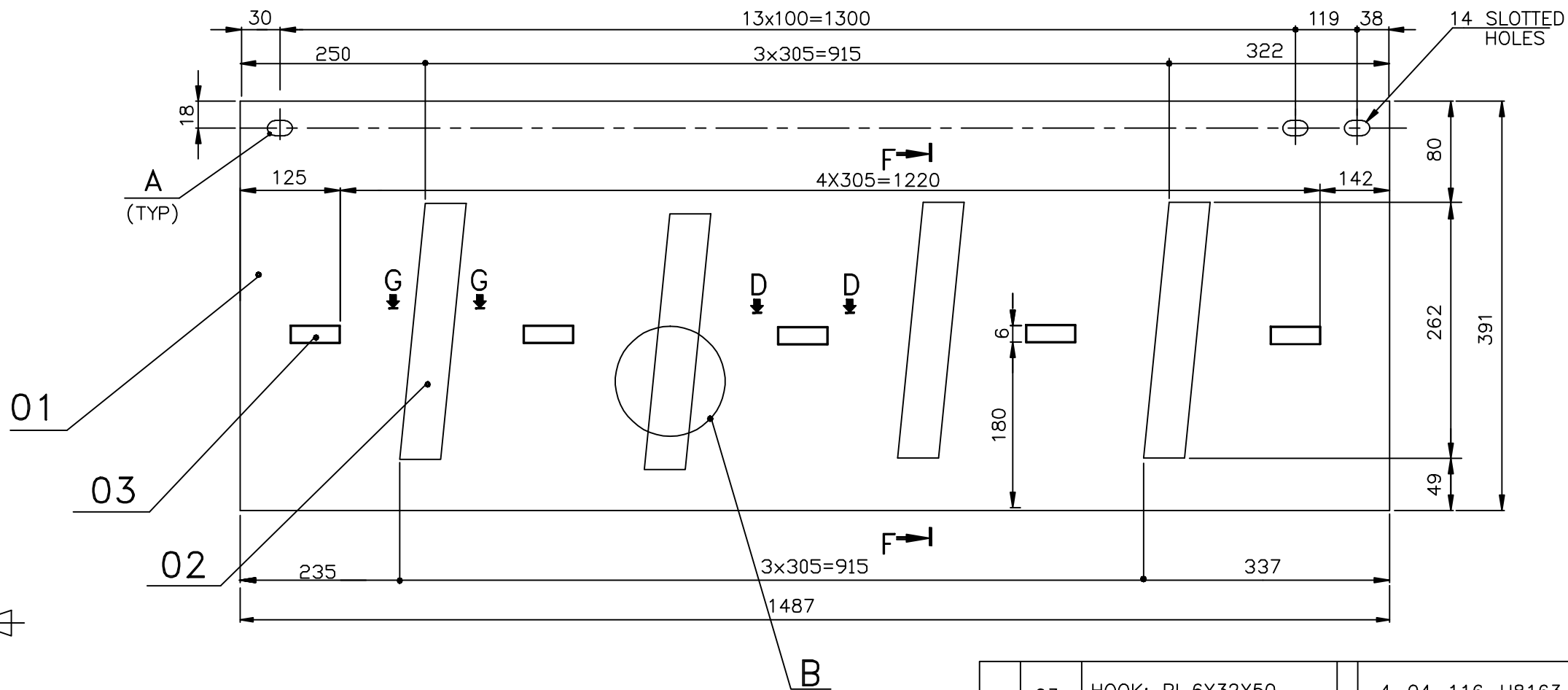
REV	DATE	ALTERED :	CHECKED :
01			
ZONE			

CAUTION: The information on this document is the property of BHARAT HEAVY ELECTRICALS LTD. It must not be used directly or indirectly in any way detrimental to the interest of the company.

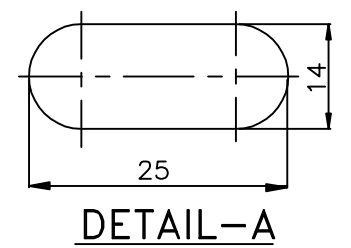
TYPE OF PRODUCT OR NAME OF CUSTOMER/PROJECT			
		Bharat Heavy Electricals Ltd UNIT: HEAVY PLATES AND VESSELS PLANT VISAKHAPATNAM - 530012	
DRN	NAME	DATE	
CHD	K.H.THOMAS	28.04.18	
APPD	MVRP/GGR	28.04.18	
APPD	Y.PRASANNA KUMAR	28.04.18	
DEPT	ALL DIMENSIONS ARE IN MM	SCALE	WEIGHT (Kg)
HT ENGG		N.T.S	41.687
CODE			
320			
TITLE		REF TO ASSY / OLD DWG	
DUCT PLATE ASSEMBLY		3-04-116-84625	
		DRAWING NO :	
		3-04-116-U8169	
		REV	
		00	

3-04-116-U8170  
DRAWING NO.

ALL DIMENSIONS ARE IN MILLIMETERS



**DETAIL-B**  
(TYPICAL SLOTTED HOLE IN THE DUCT PLATE)



**DETAIL-A**

VARIANT NUMBER	ITEM NUMBER	DESCRIPTION	STD	DRAWING NUMBER	ITEM NO	MATERIAL CODE	A/C	UNIT	UNIT WEIGHT	QTY
					VAR NO	MATERIAL SPECN		D1	QUANTITY	
	03	HOOK; PL.6X32X50		4-04-116-U8163		15 211 092			0.080	
						IS 2062 E250A			5	
	02	CONNECTING DUCT-I		2-04-116-U8080		WELDMENT			2.120	
									4	
	01	DUCT PLATE PL.6X391X1487				15 211 092			25.300	
						IS 2062 FE410A			1	

**NOTE:-**

FOR SECTION DD, GG, & FF REFER DRG.No.3-04-116-U8192

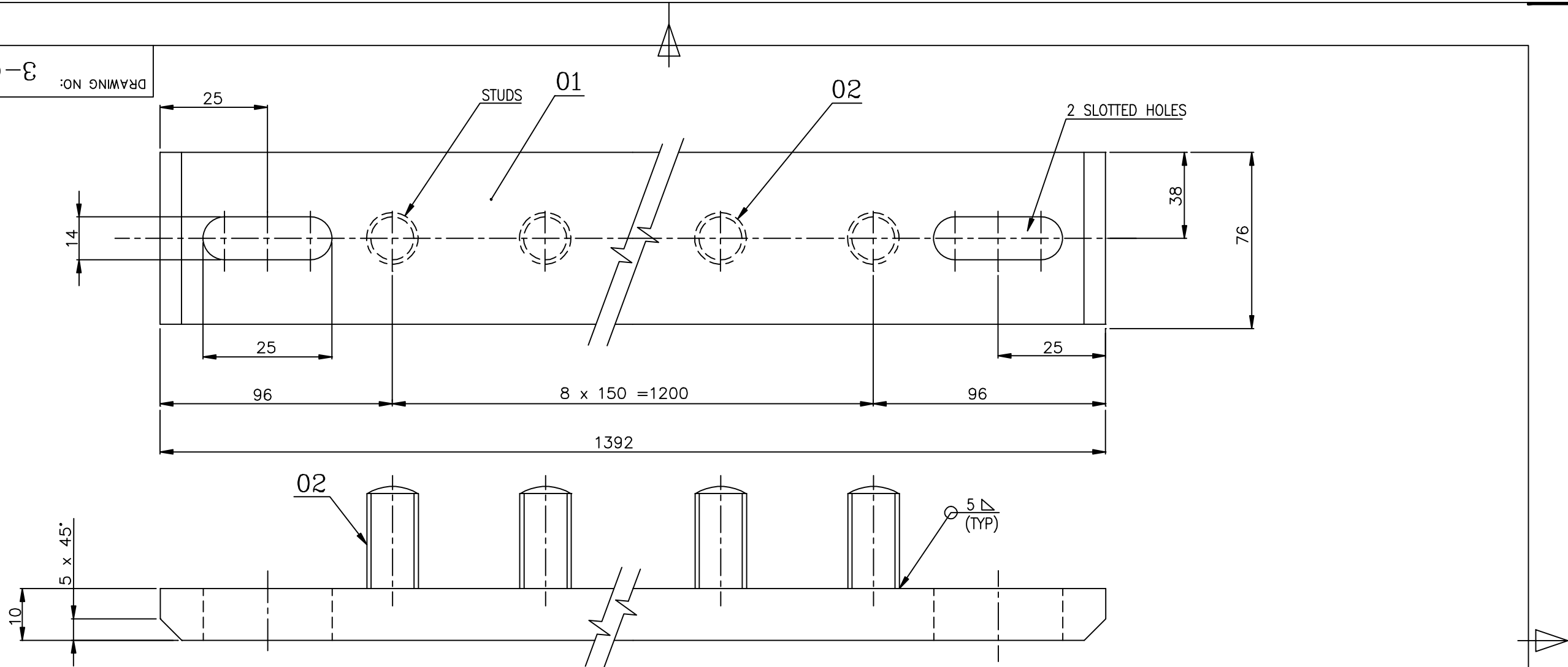
REV	DATE	ALTERED :	CHECKED :
01			
ZONE			

CAUTION: The information on this document is the property of BHARAT HEAVY ELECTRICALS LTD. It must not be used directly or indirectly in any way detrimental to the interest of the company.

TYPE OF PRODUCT OR NAME OF CUSTOMER/PROJECT					
 361-257	Bharat Heavy Electricals Ltd		DRN	NAME	DATE
	UNIT: HEAVY PLATES AND VESSELS PLANT		CHD	K.H.THOMAS	28.04.18
	VISAKHAPATNAM - 530012		APPD	MVRP/GGR	28.04.18
DEPT	ALL DIMENSIONS ARE IN MM	SCALE	WEIGHT (Kg)	REF TO ASSY / OLD DWG	
HT ENGG		N.T.S	34.180	3-04- 116-84626	
CODE				DRAWING NO :	
320				3-04-116-U8170	
TITLE				REV	
DUCT PLATE ASSEMBLY				00	

3-04-116-U8171


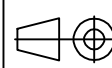
DRAWING NO.:



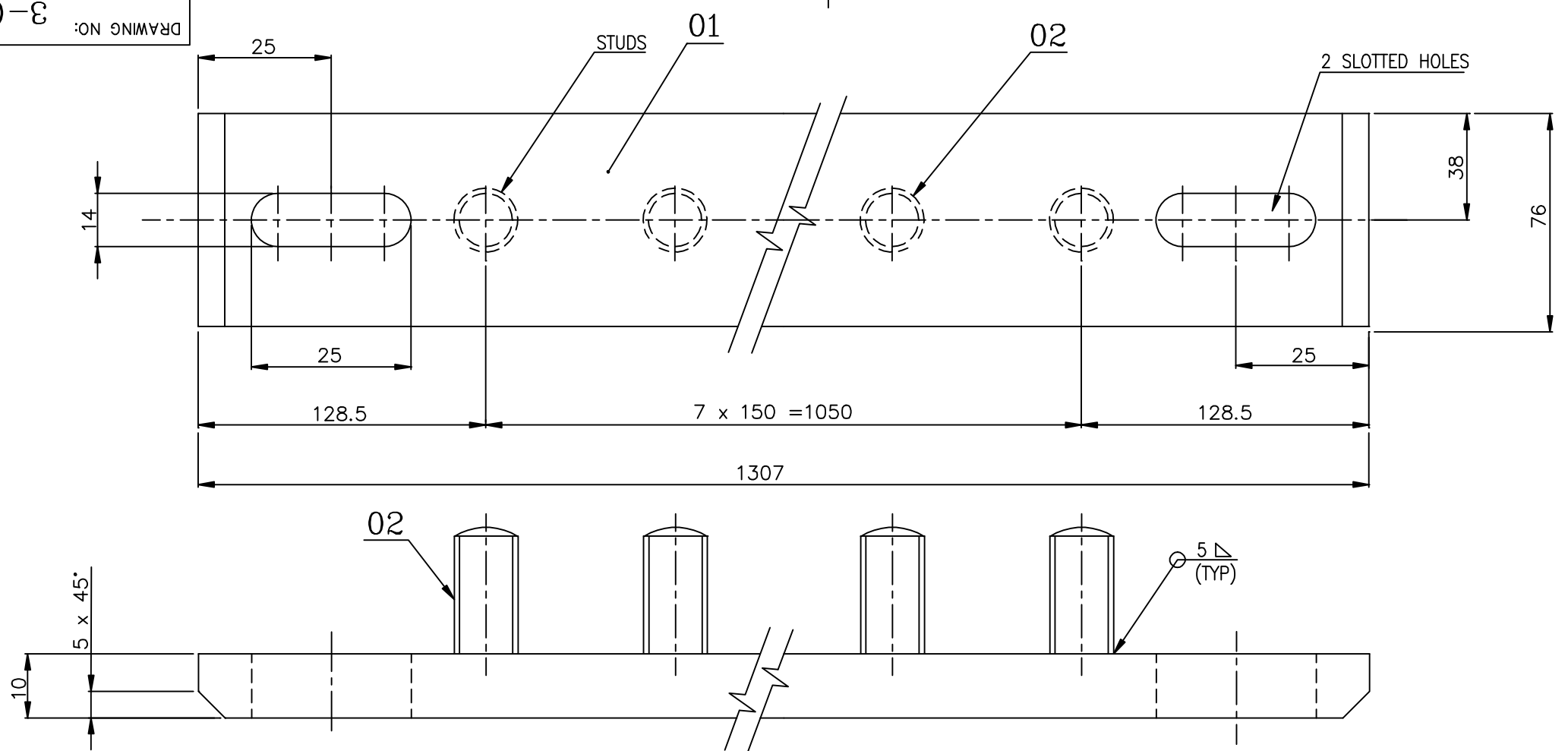
VARIANT NUMBER	ITEM NUMBER	DESCRIPTION	STD	DRAWING NUMBER	ITEM NO	MATERIAL CODE	A/C	UNIT	UNIT WEIGHT
					VAR NO	MATERIAL SPECN	D1	QUANTITY	
	02	STUD M16 X 50		4-04-116-U8165		15 627 240		0.076	
						SA 105		9	
	01	PL.10 x 76 x1392				15 011 098		8.300	
						IS 2062 Fe 410A		1	

REV	DATE	ALTERED :
01		CHECKED :
ZONE		

CAUTION: The information on this document is the property of BHARAT HEAVY ELECTRICALS LTD. It must not be used directly or indirectly in any way detrimental to the interest of the company.

TYPE OF PRODUCT OR NAME OF CUSTOMER/PROJECT			
 Bharat Heavy Electricals Ltd UNIT: HEAVY PLATES AND VESSELS PLANT VISAKHAPATNAM - 530012		NAME K.H.THOMAS	DATE 28.04.18
DEPT HT ENGG	ALL DIMENSIONS ARE IN MM	DRN	CHD
CODE 320	 SCALE N.T.S	APPD	Y.PRASANNA KUMAR 28.04.18
TITLE <b>FLAT BAR</b>		WEIGHT (Kg) 8.984	REF TO ASSY / OLD DWG <b>3-04-116-84627</b>
		DRAWING NO : <b>3-04-116-U8171</b>	REV <b>00</b>


DRAWING NO: 3-04-116-U8172



VARIANT NUMBER	ITEM NUMBER	DESCRIPTION	STD	DRAWING NUMBER	ITEM NO	MATERIAL CODE	A/C	UNIT	UNIT WEIGHT
					VAR NO	MATERIAL SPECN		D1	QUANTITY
	02	STUD M16 X 50		4-04-116-U8165		15 627 240			0.076
						SA 105			8
	01	PL.10 x 76 x1307				15 011 098			7.750
						IS 2062 Fe 410A			1

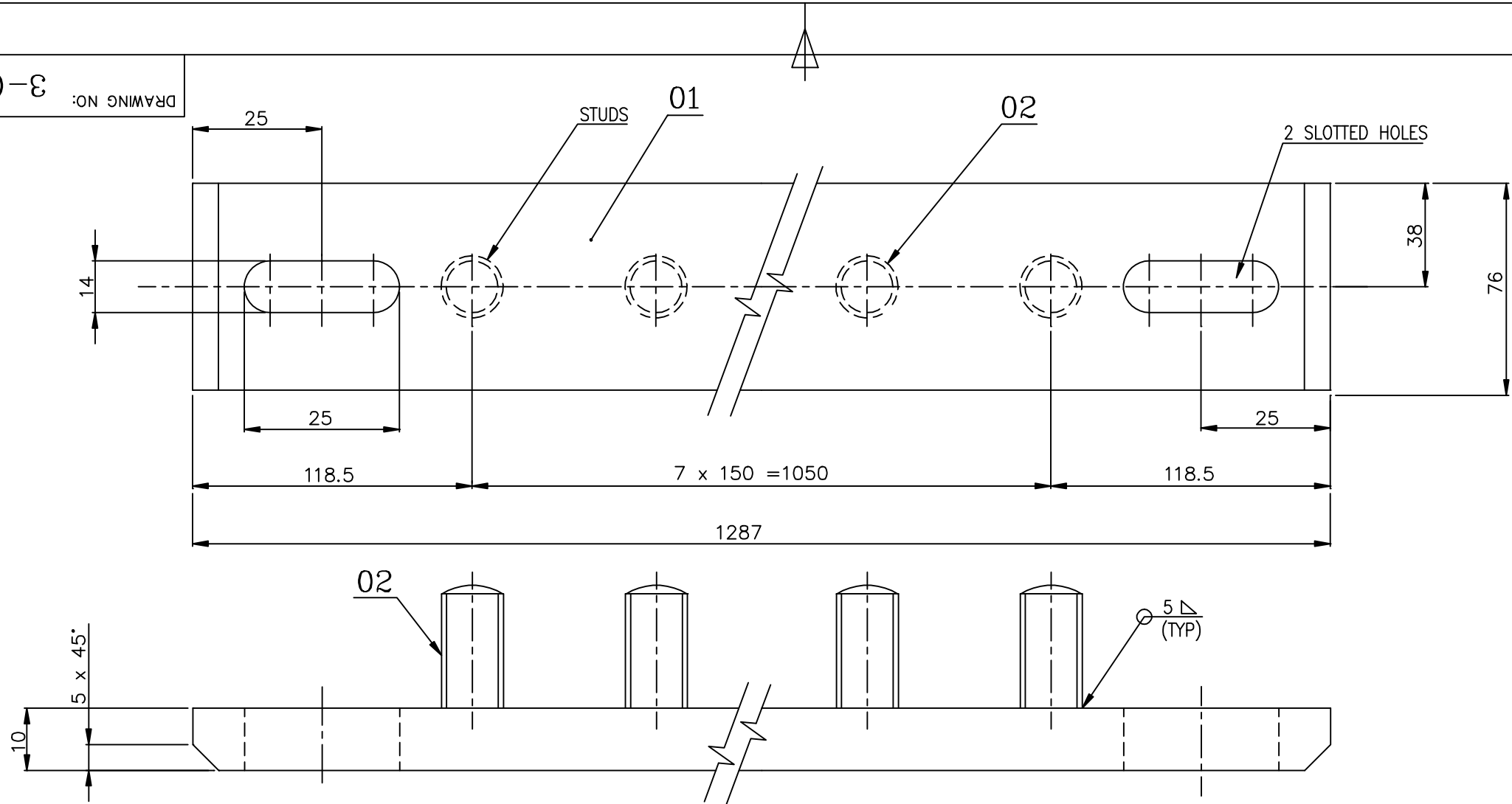
REV	DATE	ALTERED :
01		CHECKED :
ZONE		

CAUTION: The information on this document is the property of BHARAT HEAVY ELECTRICALS LTD. It must not be used directly or indirectly in any way detrimental to the interest of the company.

TYPE OF PRODUCT OR NAME OF CUSTOMER/PROJECT			
 BHARAT HEAVY ELECTRICALS LTD 361-320	Bharat Heavy Electricals Ltd		NAME
	UNIT: HEAVY PLATES AND VESSELS PLANT		K.H.THOMAS
	VISAKHAPATNAM - 530012		DATE
DEPT HT ENGG	ALL DIMENSIONS ARE IN MM	SCALE	DRN
CODE 320		N.T.S	MVRP/GGR
		WEIGHT (Kg)	APPD
		8.358	Y.PRASANNA KUMAR
TITLE			REF TO ASSY / OLD DWG
FLAT BAR			3-04-116-84628
DRAWING NO :			REV
3-04-116-U8172			00

3-04-116-U8173

DRAWING NO.:



VARIANT NUMBER	ITEM NUMBER	DESCRIPTION	STD	DRAWING NUMBER	ITEM NO	MATERIAL CODE	A/C	UNIT	UNIT WEIGHT
					VAR NO	MATERIAL SPECN		D1	QUANTITY
	02	STUD M16 X 50		4-04-116-U8165		15 627 240			0.076
						SA 105			8
	01	PL.10 x 76 x1287				15 011 098			7.600
						IS 2062 Fe 410A			1

REV	DATE	ALTERED :
01		CHECKED :
ZONE		

CAUTION: The information on this document is the property of BHARAT HEAVY ELECTRICALS LTD. It must not be used directly or indirectly in any way detrimental to the interest of the company.

TYPE OF PRODUCT OR NAME OF CUSTOMER/PROJECT



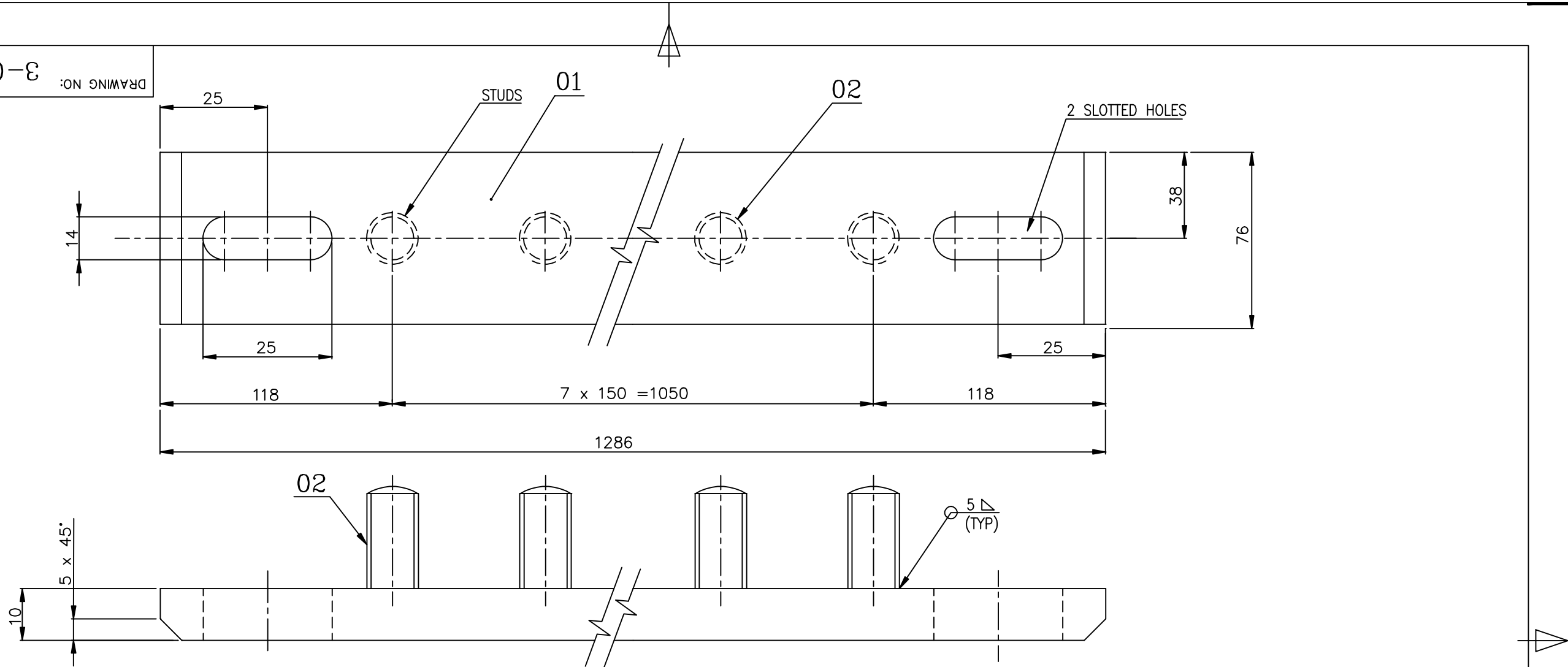
Bharat Heavy Electricals Ltd  
UNIT: HEAVY PLATES AND VESSELS PLANT  
VISAKHAPATNAM - 530012

DRN	NAME	DATE
	K.H.THOMAS	28.04.18
CHD	MVRP/GGR	28.04.18
APPD	Y.PRASANNA KUMAR	28.04.18

DEPT	HT ENGG	ALL DIMENSIONS ARE IN MM	SCALE	WEIGHT (Kg)	REF TO ASSY / OLD DWG
320			N.T.S	8.208	3-04-116-84629
TITLE					DRAWING NO :
FLAT BAR					3-04-116-U8173
					REV
					00

3-04-116-U8174


DRAWING NO.:



VARIANT NUMBER	ITEM NUMBER	DESCRIPTION	STD	DRAWING NUMBER	ITEM NO	MATERIAL CODE	A/C	UNIT	UNIT WEIGHT
					VAR NO	MATERIAL SPECN		D1	QUANTITY
	02	STUD M16 X 50		4-04-116-U8165		15 627 240			0.076
						SA 105			8
	01	PL.10 x 76 x1286				15 011 098			7.600
						IS 2062 Fe 410A			1

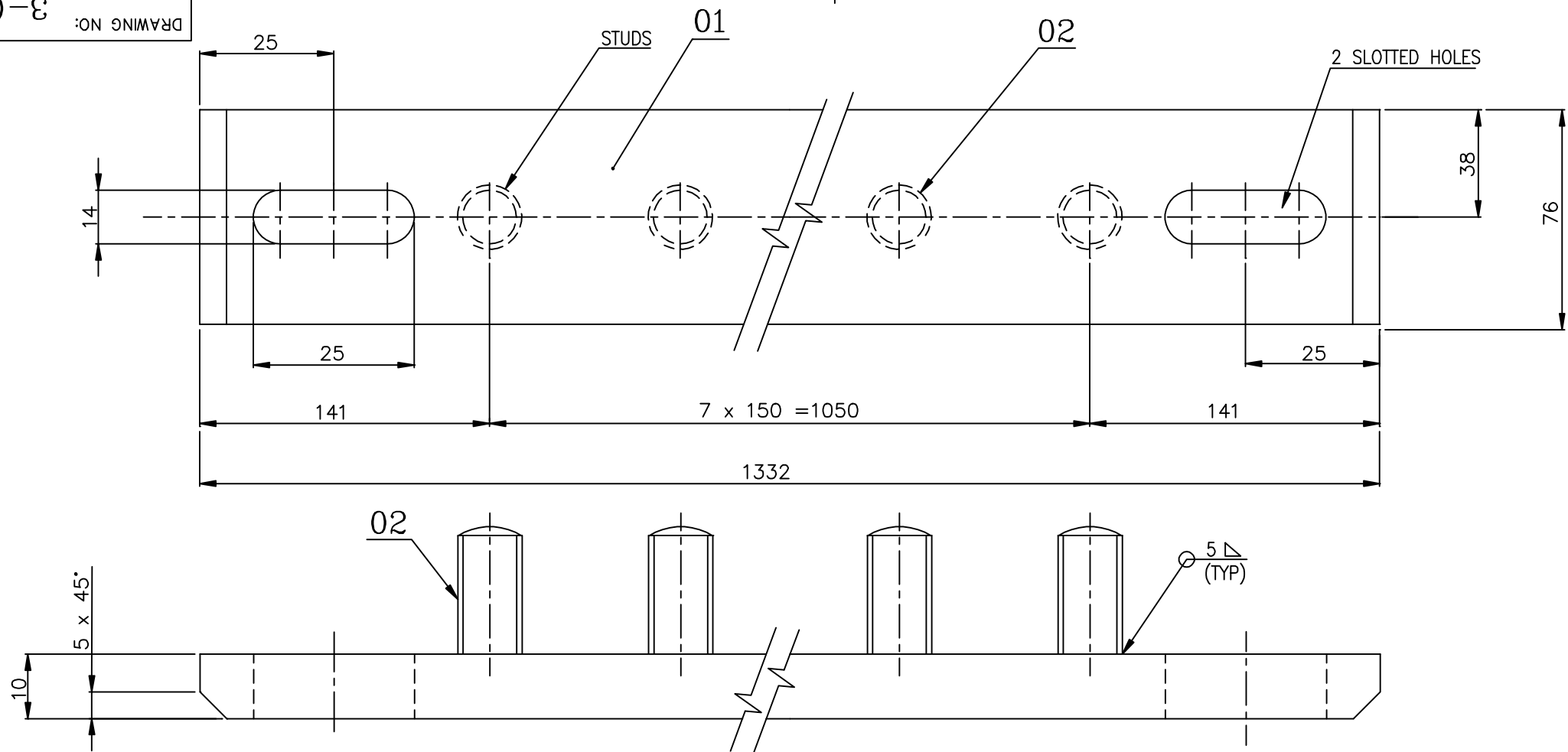
REV	DATE	ALTERED :
01		CHECKED :
ZONE		

CAUTION: The information on this document is the property of BHARAT HEAVY ELECTRICALS LTD. It must not be used directly or indirectly in any way detrimental to the interest of the company.

TYPE OF PRODUCT OR NAME OF CUSTOMER/PROJECT			
 BHARAT HEAVY ELECTRICALS LTD 361-320	Bharat Heavy Electricals Ltd		NAME
	UNIT: HEAVY PLATES AND VESSELS PLANT		K.H.THOMAS
	VISAKHAPATNAM - 530012		DATE
DEPT HT ENGG	ALL DIMENSIONS ARE IN MM	SCALE	DRN
CODE 320		N.T.S	MVRP/GGR
		WEIGHT (Kg)	APPD
		8.208	Y.PRASANNA KUMAR
TITLE			REF TO ASSY / OLD DWG
FLAT BAR			3-04-116-84630
			DRAWING NO :
			3-04-116-U8174
			REV
			00

3-04-116-U8175

DRAWING NO:



VARIANT NUMBER	ITEM NUMBER	DESCRIPTION	STD	DRAWING NUMBER	ITEM NO	MATERIAL CODE	A/C	UNIT	UNIT WEIGHT
					VAR NO	MATERIAL SPECN		D1	QUANTITY
	02	STUD M16 X 50		4-04-116-U8165		15 627 240			0.076
						SA 105			8
	01	PL.10 x 76 x1332				15 011 098			7.900
						IS 2062 Fe 410A			1

REV	DATE	ALTERED :
01		CHECKED :
ZONE		

CAUTION: The information on this document is the property of BHARAT HEAVY ELECTRICALS LTD. It must not be used directly or indirectly in any way detrimental to the interest of the company.

TYPE OF PRODUCT OR NAME OF CUSTOMER/PROJECT



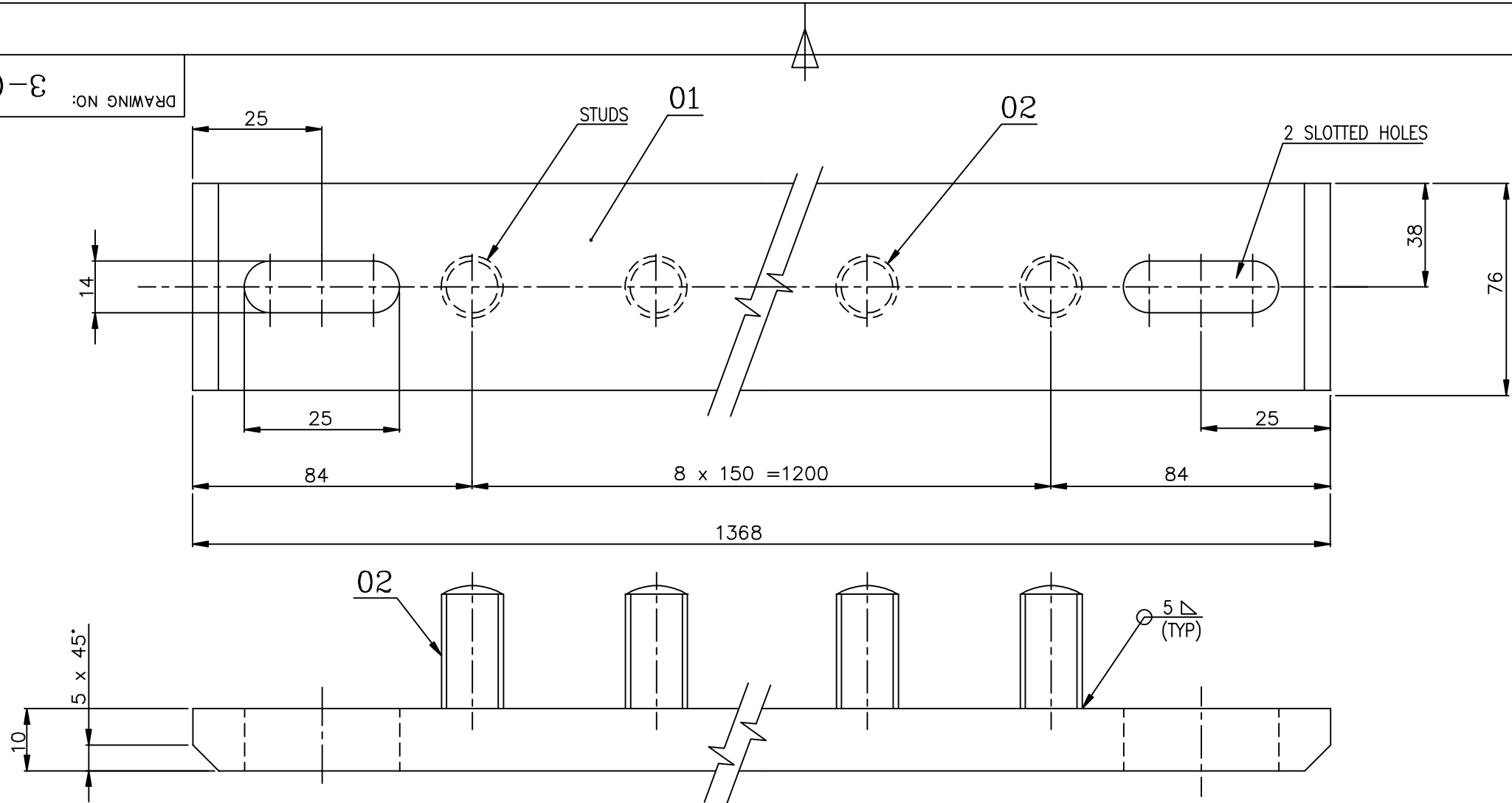
Bharat Heavy Electricals Ltd  
UNIT: HEAVY PLATES AND VESSELS PLANT  
VISAKHAPATNAM - 530012

DRN	NAME	DATE
	K.H.THOMAS	28.04.18
CHD	MVRP/GGR	28.04.18
APPD	Y.PRASANNA KUMAR	28.04.18

DEPT	HT ENGG	ALL DIMENSIONS ARE IN MM	SCALE	WEIGHT (Kg)	REF TO ASSY / OLD DWG
320			N.T.S	8.508	3-04-116-84631
TITLE					DRAWING NO :
FLAT BAR					3-04-116-U8175
					REV
					00

3-04-116-U8176


DRAWING NO.:



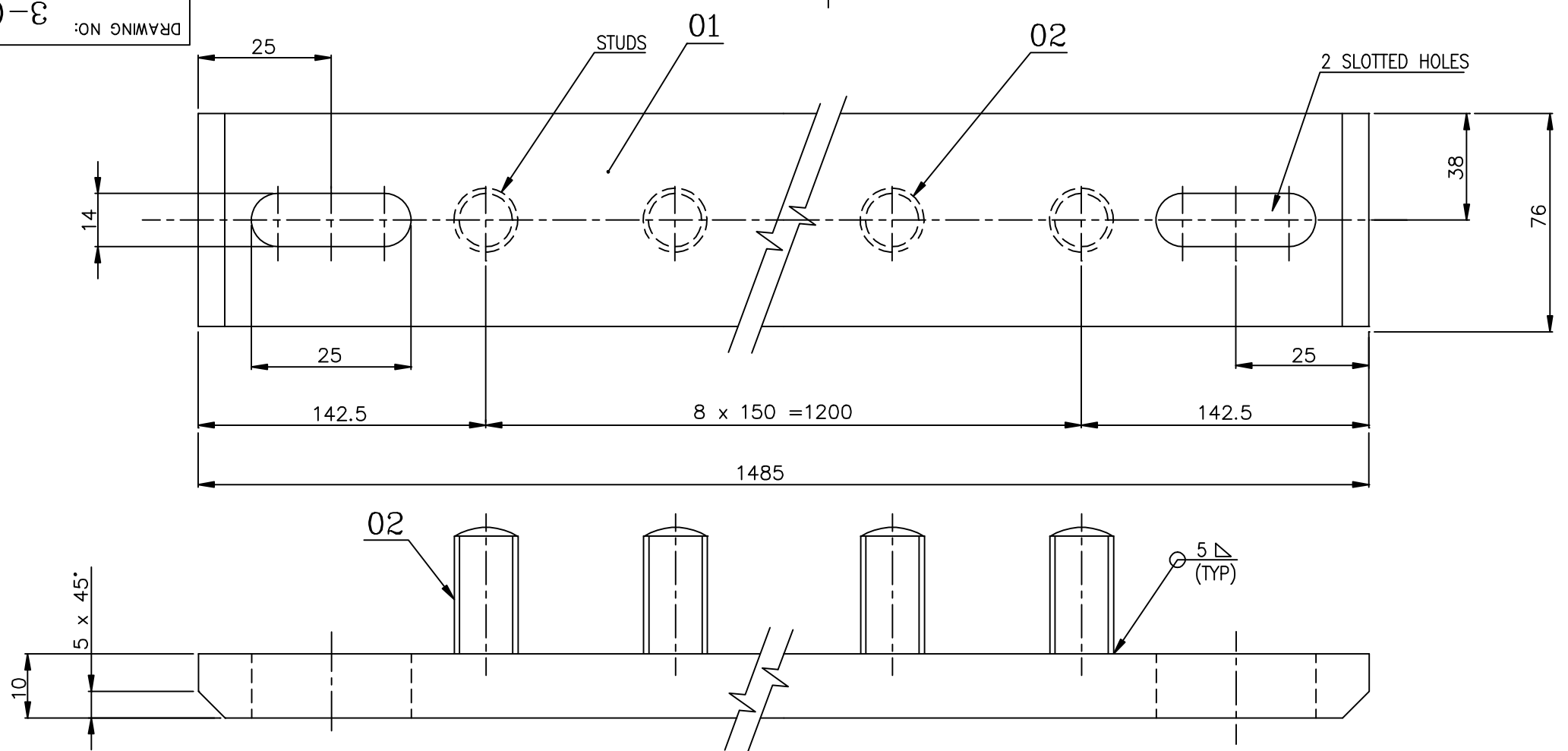
VARIANT NUMBER	ITEM NUMBER	DESCRIPTION	STD	DRAWING NUMBER	ITEM NO	MATERIAL CODE	A/C	UNIT	UNIT WEIGHT
					VAR NO	MATERIAL SPECN	D1	QUANTITY	
	02	STUD M16 X 50		4-04-116-U8165		15 627 240			0.076
						SA 105			9
	01	PL.10 x 76 x1368				15 011 098			8.100
						IS 2062 Fe 410A			1

REV	DATE	ALTERED :
01		CHECKED :
ZONE		

CAUTION: The information on this document is the property of BHARAT HEAVY ELECTRICALS LTD. It must not be used directly or indirectly in any way detrimental to the interest of the company.

TYPE OF PRODUCT OR NAME OF CUSTOMER/PROJECT			
 BHARAT HEAVY ELECTRICALS LTD 361-320	Bharat Heavy Electricals Ltd		NAME
	UNIT: HEAVY PLATES AND VESSELS PLANT		K.H.THOMAS
	VISAKHAPATNAM - 530012		DATE
DEPT HT ENGG	ALL DIMENSIONS ARE IN MM	SCALE	DRN
CODE 320		N.T.S	320
TITLE	WEIGHT (Kg)	REF TO ASSY / OLD DWG	CHD
FLAT BAR	8.784	3-04-116-84632	MVRP/GGR
		DRAWING NO :	APPD
		3-04-116-U8176	Y.PRASANNA KUMAR
		REV	DATE
		00	28.04.18


DRAWING NO: 3-04-116-U8177



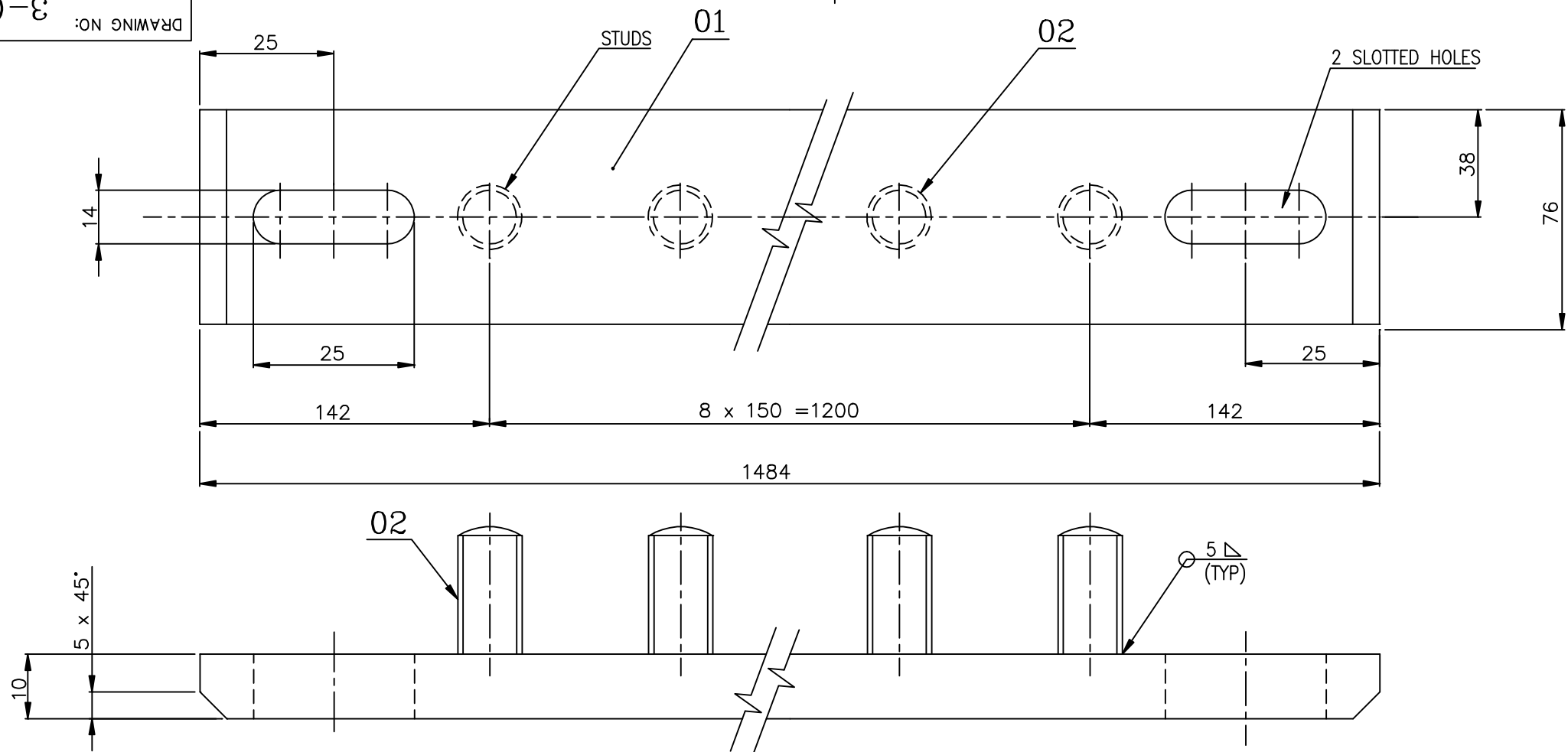
VARIANT NUMBER	ITEM NUMBER	DESCRIPTION	STD	DRAWING NUMBER	ITEM NO	MATERIAL CODE	A/C	UNIT	UNIT WEIGHT
					VAR NO	MATERIAL SPECN	D1	QUANTITY	Q
	02	STUD M16 X 50		4-04-116-U8165		15 627 240			0.076
						SA 105			9
	01	PL.10 x 76 x1485				15 011 098			8.800
						IS 2062 Fe 410A			1

REV	DATE	ALTERED :
01		CHECKED :
ZONE		

CAUTION: The information on this document is the property of BHARAT HEAVY ELECTRICALS LTD. It must not be used directly or indirectly in any way detrimental to the interest of the company.

TYPE OF PRODUCT OR NAME OF CUSTOMER/PROJECT				
 DEPT HT ENGG CODE 320	Bharat Heavy Electricals Ltd UNIT: HEAVY PLATES AND VESSELS PLANT VISAKHAPATNAM - 530012		NAME K.H.THOMAS	DATE 28.04.18
			CHD MVRP/GGR	28.04.18
			APPD Y.PRASANNA KUMAR	28.04.18
DEPT HT ENGG CODE 320	ALL DIMENSIONS ARE IN MM	SCALE N.T.S	WEIGHT (Kg) 9.484	REF TO ASSY / OLD DWG 3-04-116-84633
TITLE FLAT BAR				DRAWING NO : 3-04-116-U8177
				REV 00


DRAWING NO: 3-04-116-U8178



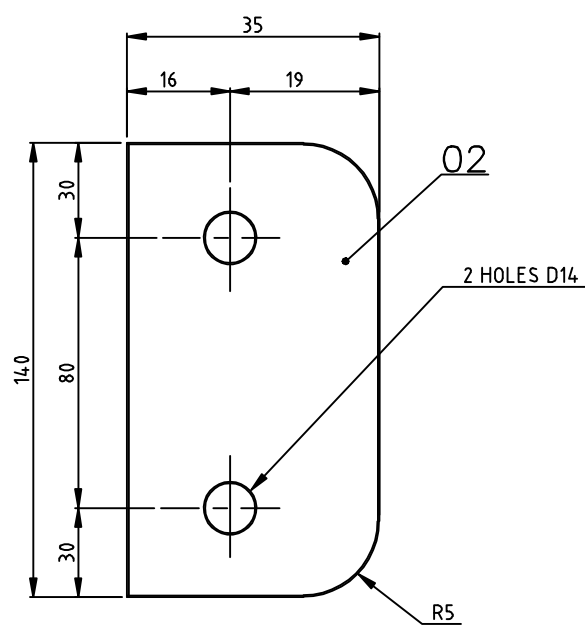
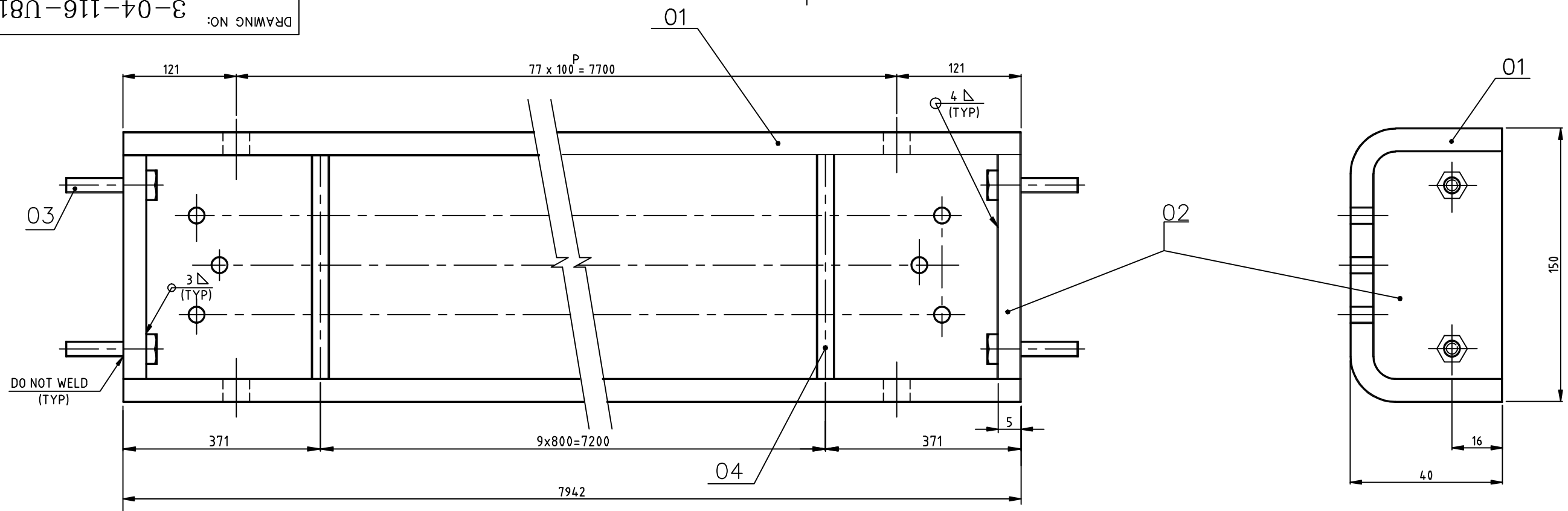
VARIANT NUMBER	ITEM NUMBER	DESCRIPTION	STD	DRAWING NUMBER	ITEM NO	MATERIAL CODE	A/C	UNIT	UNIT WEIGHT
					VAR NO	MATERIAL SPECN		D1	QUANTITY
	02	STUD M16 X 50		4-04-116-U8165		15 627 240			0.076
						SA 105			9
	01	PL.10 x 76 x1484				15 011 098			8.800
						IS 2062 Fe 410A			1

REV	DATE	ALTERED :
01		CHECKED :
ZONE		

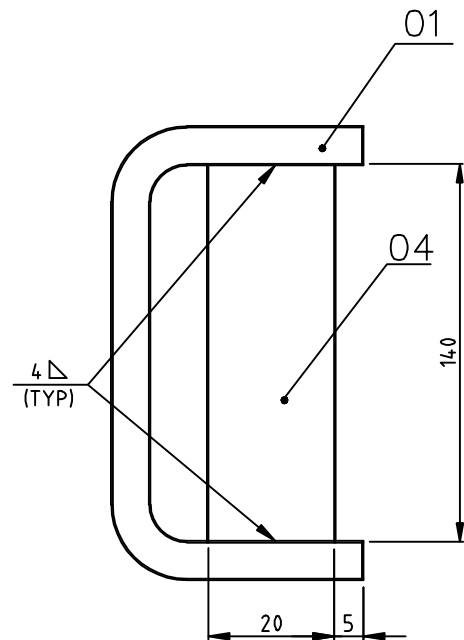
CAUTION: The information on this document is the property of BHARAT HEAVY ELECTRICALS LTD. It must not be used directly or indirectly in any way detrimental to the interest of the company.

TYPE OF PRODUCT OR NAME OF CUSTOMER/PROJECT				
 DEPT HT ENGG CODE 320	Bharat Heavy Electricals Ltd UNIT: HEAVY PLATES AND VESSELS PLANT VISAKHAPATNAM - 530012		NAME K.H.THOMAS	DATE 28.04.18
			CHD MVRP/GGR	DATE 28.04.18
			APPD Y.PRASANNA KUMAR	DATE 28.04.18
DEPT HT ENGG CODE 320	ALL DIMENSIONS ARE IN MM	SCALE N.T.S	WEIGHT (Kg) 9.484	REF TO ASSY / OLD DWG 3-04-116-84634
TITLE FLAT BAR				DRAWING NO : 3-04-116-U8178
				REV 00

DRAWING NO: 3-04-116-U8179



DETAILS OF ITEM No.02



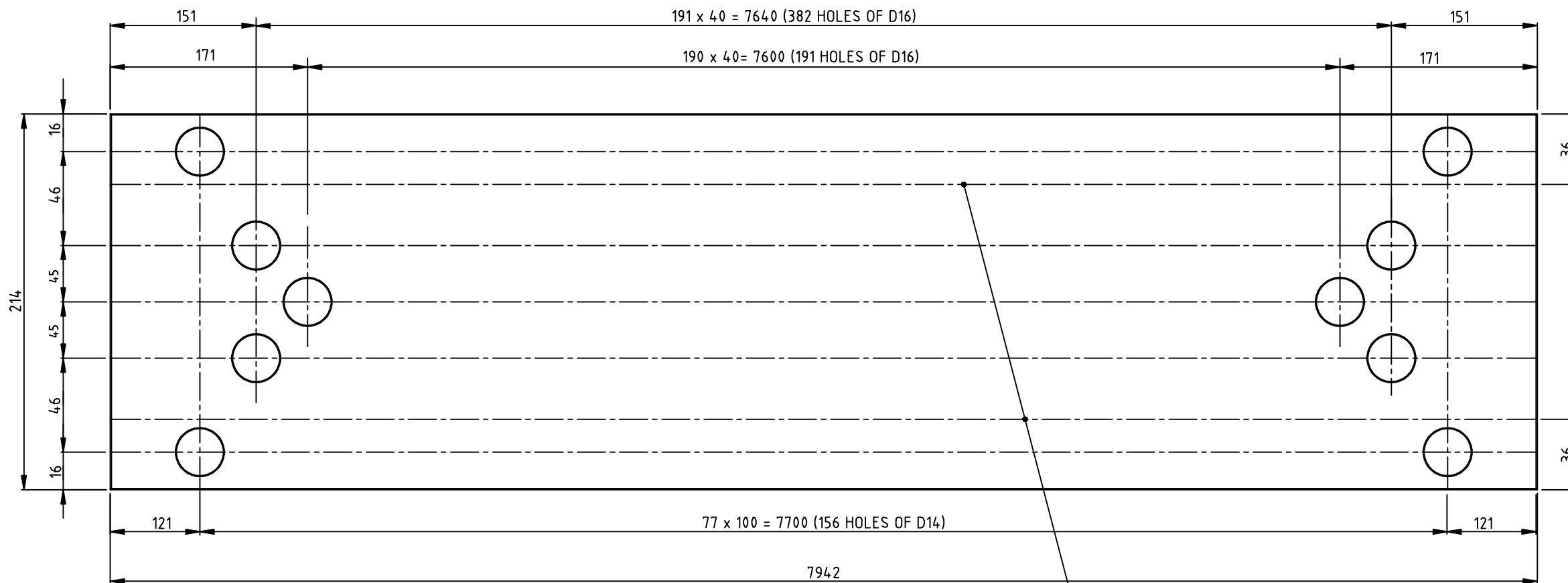
DETAIL OF ITEM No.04

VARIANT NUMBER	ITEM NUMBER	DESCRIPTION	STD	DRAWING NUMBER	ITEM NO	MATERIAL CODE	A/C	UNIT	UNIT WEIGHT	QTY
					VAR NO	MATERIAL SPECN	D1	QUANTITY		
	04	PL.5 X 20 X 140				15 011 029			0.100	
						IS 2062 Fe410A			10	
	03	HEX. SCRU M12 X 30	S			41222-12030			0.041	
						IS 1363 P2 CL4.6			4	
	02	PL.5 X 35 X 140				15 011 029			0.190	
						IS 2062 Fe410A			2	
	01	PERFORATED PLATE		3-04-116-U8180		15 011 029			66.000	
						IS 2062 Fe410A			1	

CAUTION: The information on this document is the property of BHARAT HEAVY ELECTRICALS LTD. It must not be used directly or indirectly in any way detrimental to the interest of the company.				TYPE OF PRODUCT OR NAME OF CUSTOMER/PROJECT				NAME		DATE	
				Bharat Heavy Electricals Ltd UNIT: HEAVY PLATES AND VESSELS PLANT VISAKHAPATNAM - 530012				DRN		K.H.THOMAS	
DEPT HT ENGG CODE 320								CHD		MVRP/GGR	
				ALL DIMENSIONS ARE IN MM SCALE N.T.S WEIGHT (Kg) 67.544				APPD		Y.PRASANNA KUMAR	
TITLE PERFORATED PLATE ASSY.								REF TO ASSY / OLD DWG			
								3-04-116-84635			

REV	DATE	ALTERED :	CHECKED :
ZONE			

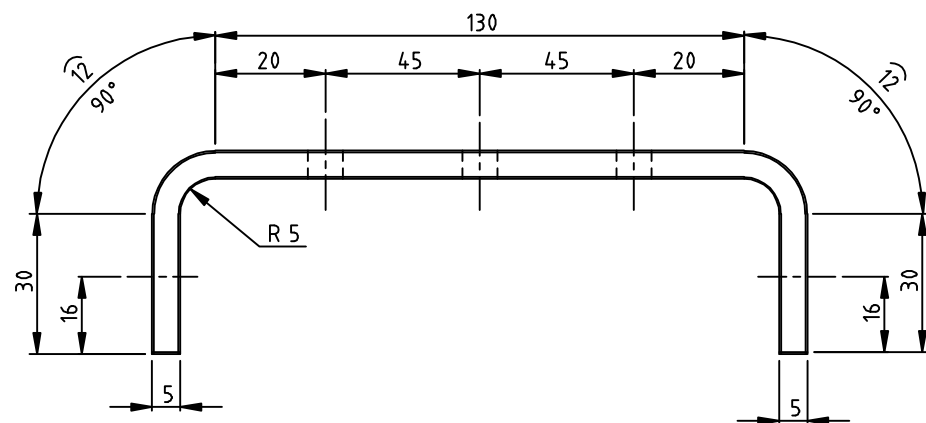
DRAWING NO: 3-04-116-U8180



**WELD:**


WELD 5 ⤴ - E7018 - 3 Nos.  
(OPTIONAL)

**DEVELOPMENT**



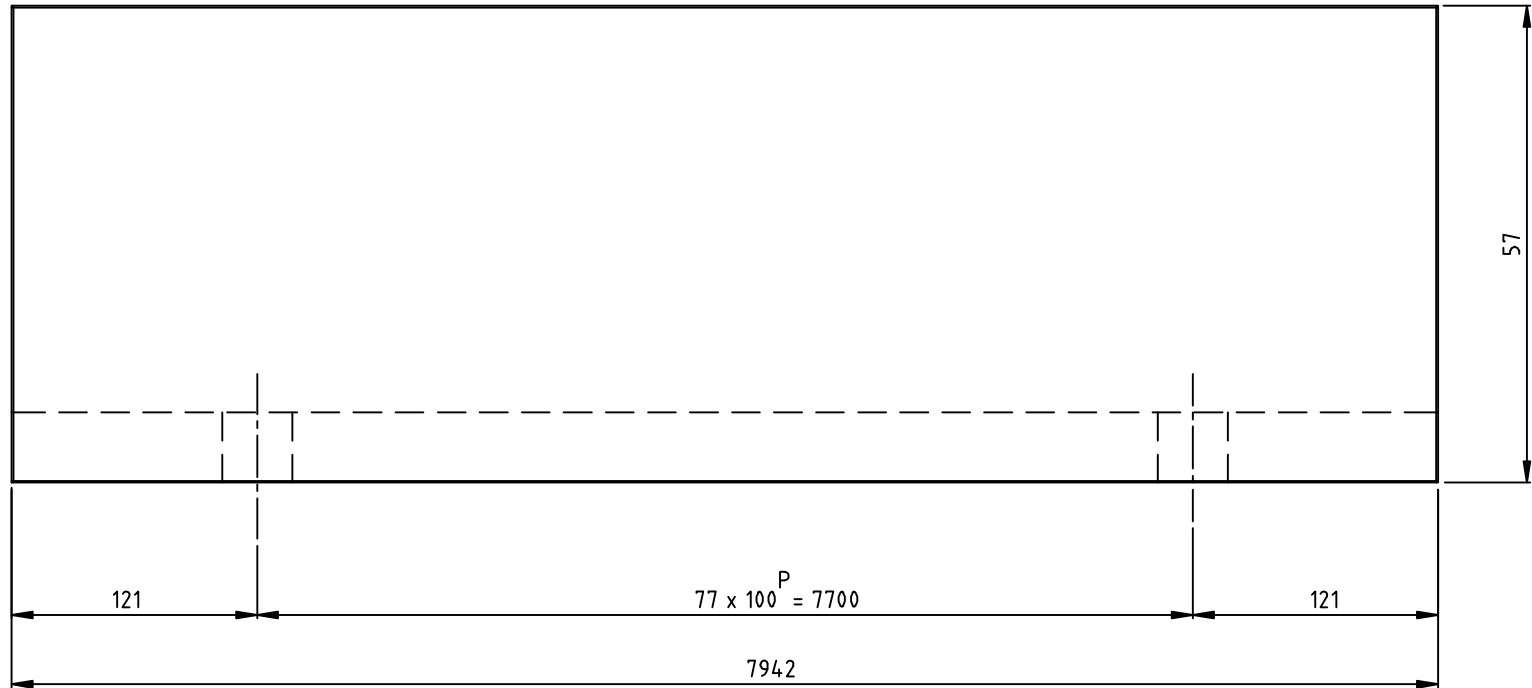
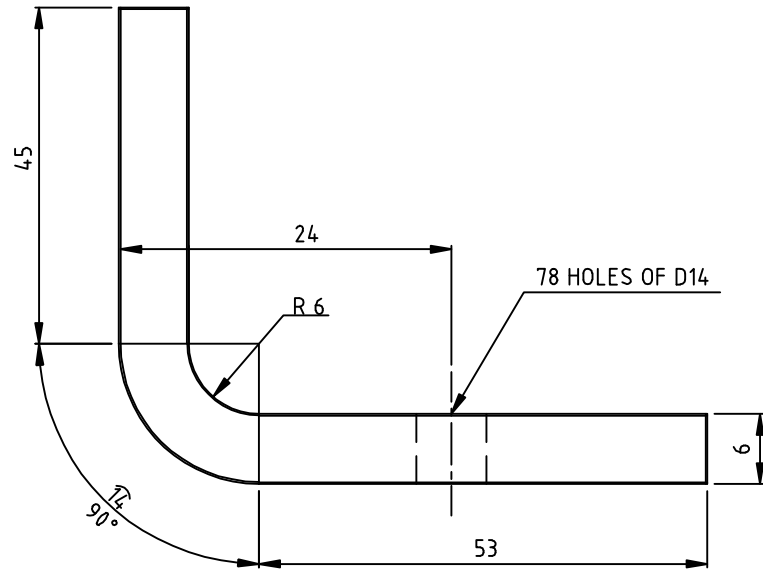
REV	DATE	ALTERED :
01		CHECKED :
ZONE		

VARIANT NUMBER	ITEM NUMBER	DESCRIPTION	STD	DRAWING NUMBER	ITEM NO	MATERIAL CODE	A/C	UNIT	UNIT WEIGHT	CS
		PL.5 x 214 x 7942			VAR NO	MATERIAL SPECN	D1	QUANTITY		
						15 011 029			66.000	
						IS 2062 Fe410A				

TYPE OF PRODUCT OR NAME OF CUSTOMER/PROJECT				NAME		DATE	
 Bharat Heavy Electricals Ltd UNIT: HEAVY PLATES AND VESSELS PLANT VISAKHAPATNAM - 530012				DRN	K.H.THOMAS	28.04.18	
				CHD	MVRP/GGR	28.04.18	
				APPD	Y.PRASANNA KUMAR	28.04.18	
DEPT	HT ENGG	ALL DIMENSIONS ARE IN MM	SCALE	WEIGHT (Kg)	REF TO ASSY / OLD DWG		
320			N.T.S	66.000	3-04-116-84636		
TITLE					DRAWING NO :		REV
PERFORATED PLATE					3-04-116-U8180		00

CAUTION: The information on this document is the property of BHARAT HEAVY ELECTRICALS LTD. It must not be used directly or indirectly in any way detrimental to the interest of the company.

DRAWING NO: 3-04-116-U8181




**WELD:**

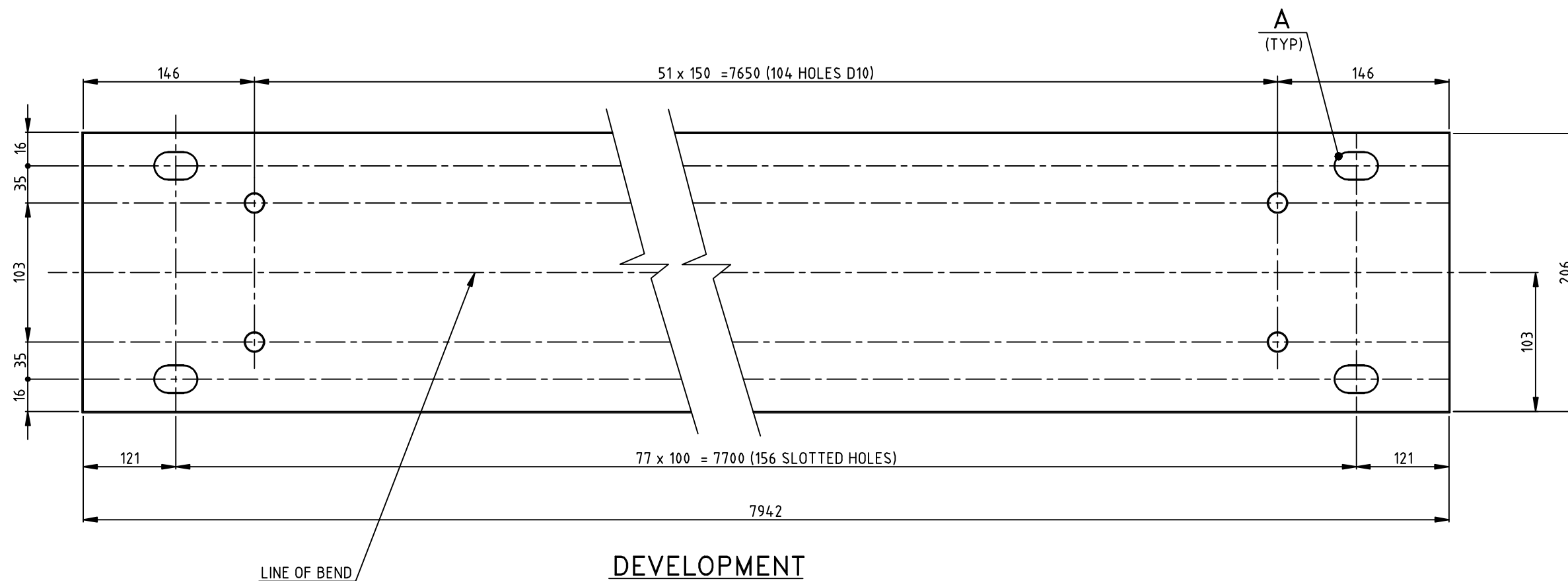
WELD 6 ⌈ - E7018 - 3 Nos  
(OPTIONAL)

VARIANT NUMBER	ITEM NUMBER	DESCRIPTION	STD	DRAWING NUMBER	ITEM NO	MATERIAL CODE	A/C	UNIT	UNIT WEIGHT	QTY
					VAR NO	MATERIAL SPECN		D1	QUANTITY	
		PL 6 x 112 x 7942				15 211 092			41.800	
						IS 2062 Fe410A				

REV	DATE	ALTERED :	CHECKED :
01			
ZONE			

<p>CAUTION: The information on this document is the property of BHARAT HEAVY ELECTRICALS LTD. It must not be used directly or indirectly in any way detrimental to the interest of the company.</p>				TYPE OF PRODUCT OR NAME OF CUSTOMER/PROJECT				
				 Bharat Heavy Electricals Ltd UNIT: HEAVY PLATES AND VESSELS PLANT VISAKHAPATNAM - 530012		DRN	NAME	DATE
				DEPT	ALL DIMENSIONS ARE IN MM	SCALE	WEIGHT (Kg)	REF TO ASSY / OLD DWG
				HT ENGG				
CODE								
320								
TITLE				DRAWING NO :		REV		
BENT PLATE				3-04-116-84637		00		
				3-04-116-U8181				

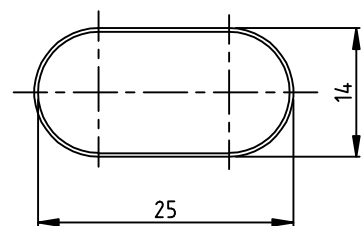
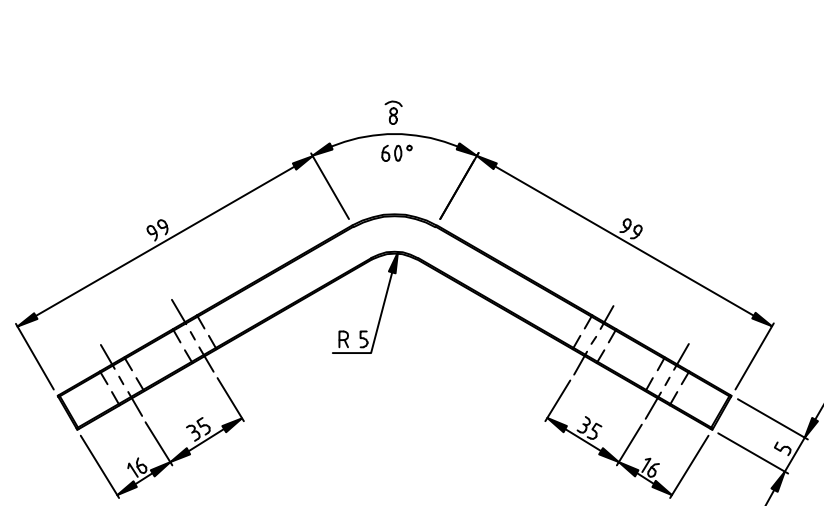
DRAWING NO: 3-04-116-U8182



**DEVELOPMENT**

**WELD:**

OPTIONAL  
WELD 5 Π - E7018 - 3 Nos.



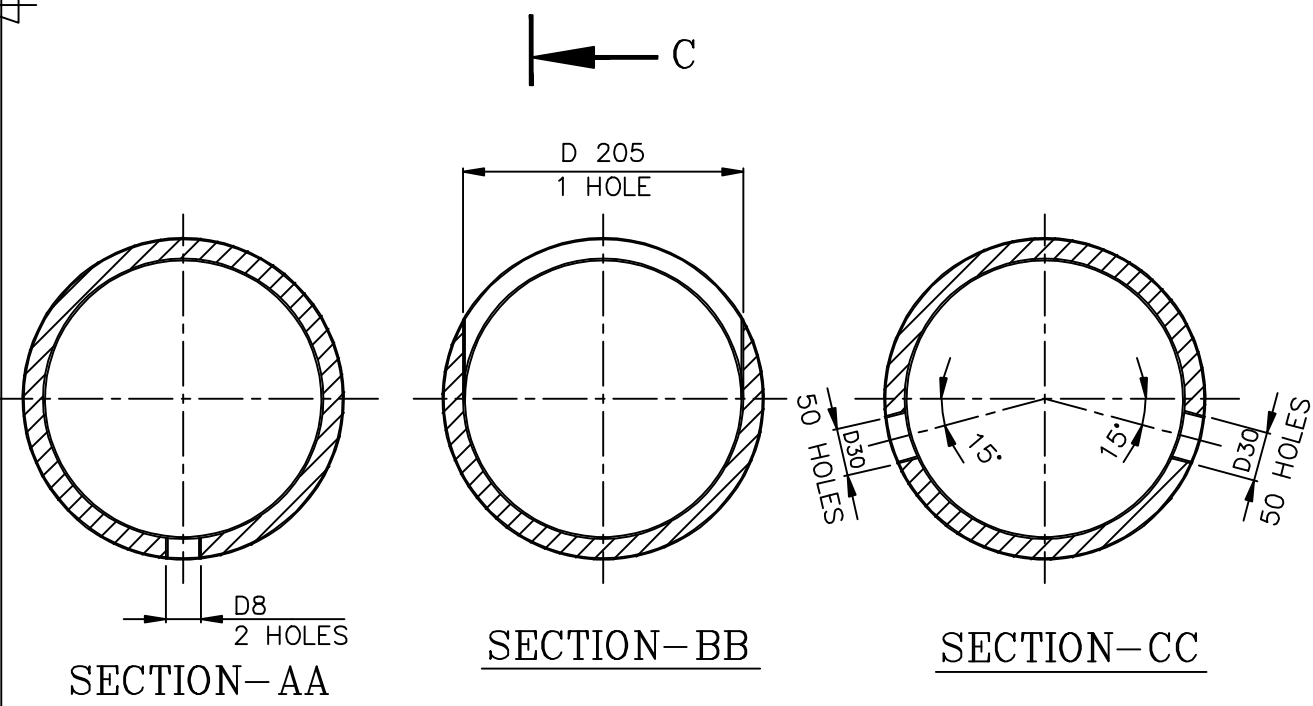
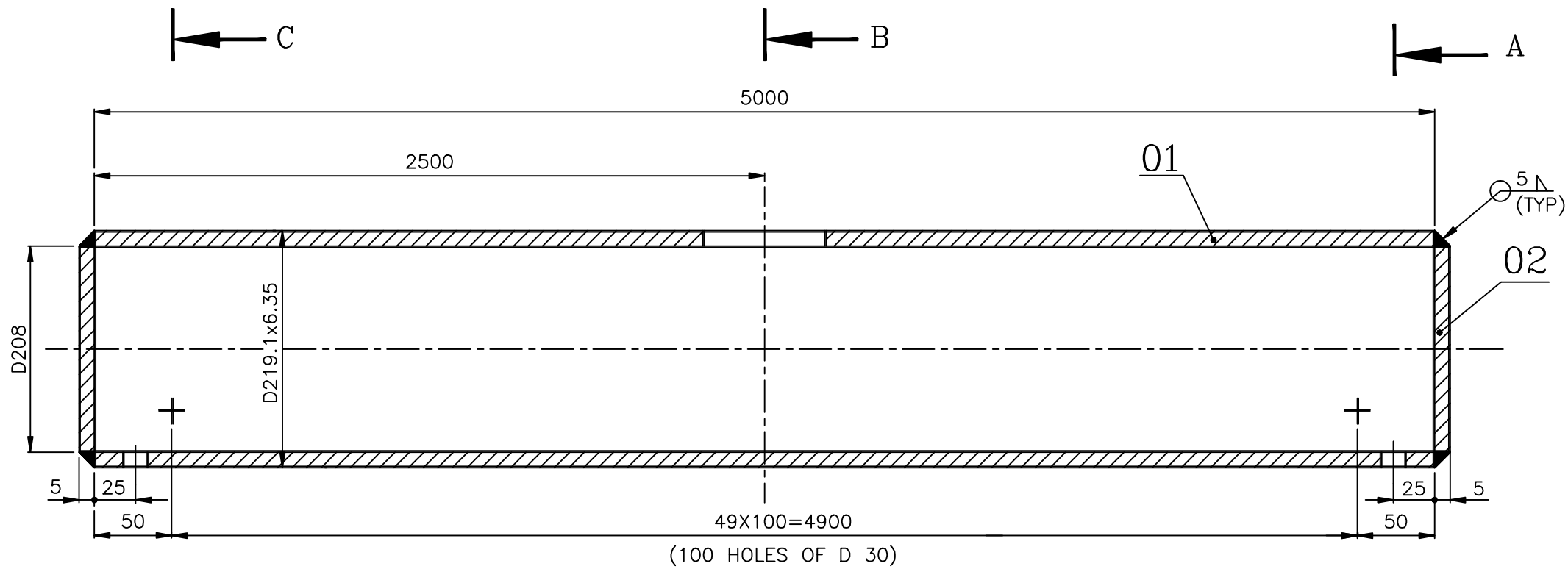
**DETAIL-A**

VARIANT NUMBER	ITEM NUMBER	DESCRIPTION	STD	DRAWING NUMBER	ITEM NO	MATERIAL CODE	A/C	UNIT	UNIT WEIGHT	QTY
					VAR NO	MATERIAL SPECN		D1	QUANTITY	
		PL.5 X 206 X 7942				15 011 029			64.000	
						IS 2062 Fe410A				


<p>CAUTION: The information on this document is the property of BHARAT HEAVY ELECTRICALS LTD. It must not be used directly or indirectly in any way detrimental to the interest of the company.</p>		TYPE OF PRODUCT OR NAME OF CUSTOMER/PROJECT			NAME		DATE
		Bharat Heavy Electricals Ltd UNIT: HEAVY PLATES AND VESSELS PLANT VISAKHAPATNAM - 530012			DRN	K.H.THOMAS	28.04.18
					CHD	MVRP/GGR	28.04.18
		APPD	Y.PRASANNA KUMAR	28.04.18			
DEPT HT ENGG	ALL DIMENSIONS ARE IN MM	SCALE	WEIGHT (Kg)	REF TO ASSY / OLD DWG			
CODE 320		N.T.S	64.000	3-04-116-84638			
TITLE				DRAWING NO :		REV	
BENT PLATE				3-04-116-U8182		00	

REV	DATE	ALTERED :
01		CHECKED :
ZONE		

DRAWING NO: 3-04-116-U8183



VARIANT NUMBER	ITEM NUMBER	DESCRIPTION	STD	DRAWING NUMBER	ITEM NO	MATERIAL CODE	A/C	UNIT	UNIT WEIGHT	QTY
					VAR NO	MATERIAL SPECN	D1	QUANTITY		
02	PL.5: D208				15 011 029	IS 2062 Fe410A			1.500	2
01	PIPE D219.1x6.35 L=5000				15 605 688	SA106 Gr.B	C		166.500	1

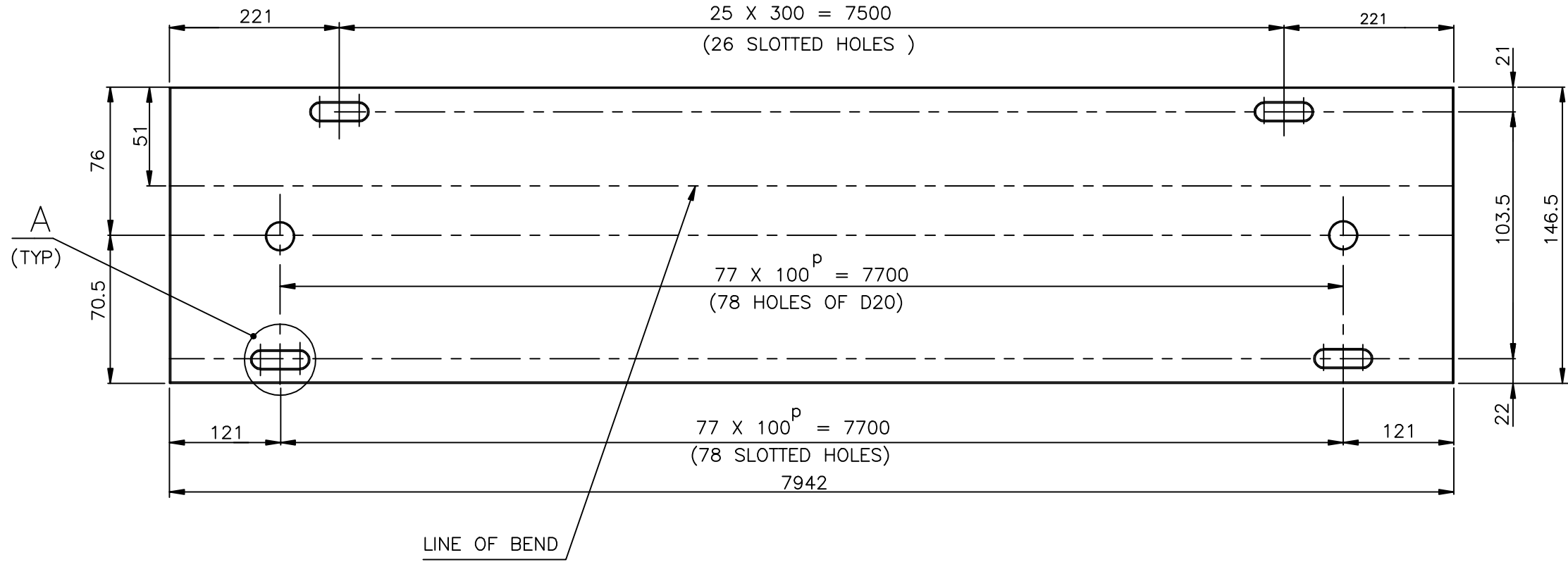
TYPE OF PRODUCT OR NAME OF CUSTOMER/PROJECT				NAME		DATE	
 Bharat Heavy Electricals Ltd UNIT: HEAVY PLATES AND VESSELS PLANT VISAKHAPATNAM - 530012				DRN	K.H.THOMAS	28.04.18	
				CHD	MVRP/GGR	28.04.18	
				APPD	Y.PRASANNA KUMAR	28.04.18	
DEPT	HT ENGG	ALL DIMENSIONS ARE IN MM	SCALE	WEIGHT (Kg)	REF TO ASSY / OLD DWG		
320			N.T.S	169.500	3-04-116-84639		
TITLE					DRAWING NO :		REV
FEED HEADER					3-04-116-U8183		00

CAUTION: The information on this document is the property of BHARAT HEAVY ELECTRICALS LTD. It must not be used directly or indirectly in any way detrimental to the interest of the company.

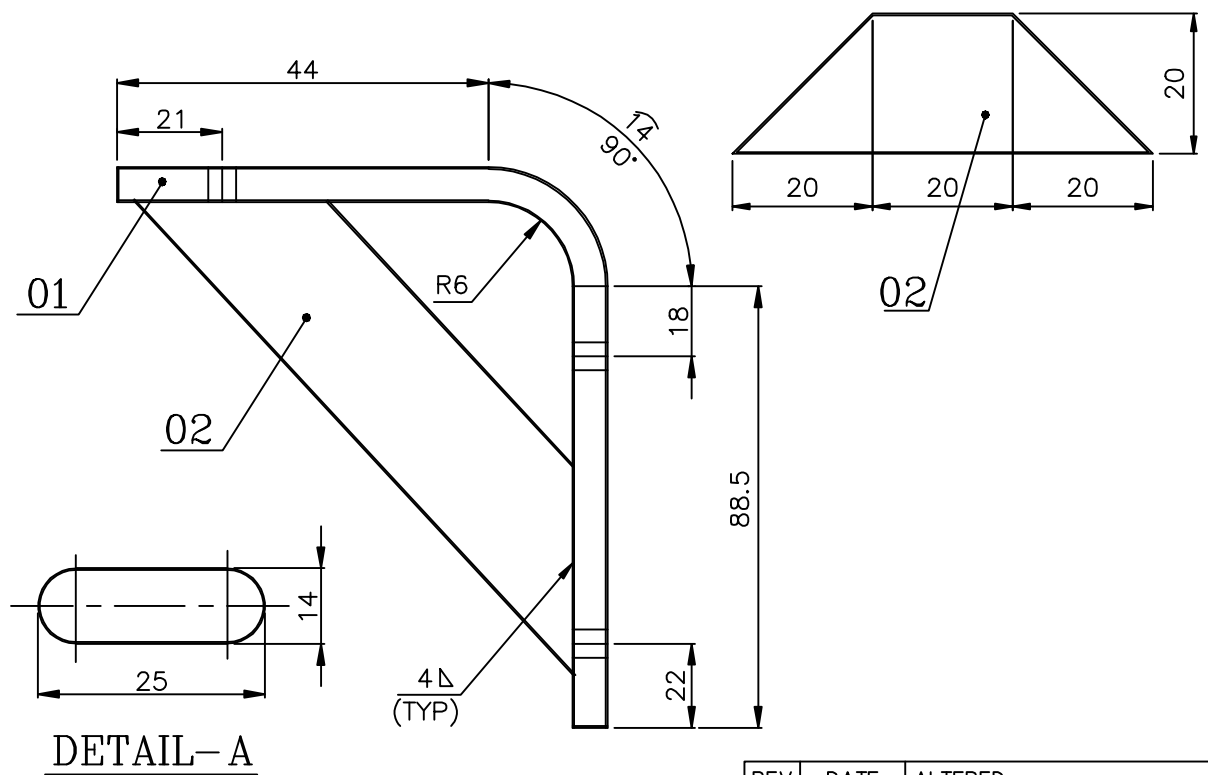
REV	DATE	ALTERED :	CHECKED :
01			
ZONE			

3-04-116-U8184

DRAWING NO:



**WELD:**  
6  $\bar{\Pi}$  - E7018 - 3 Nos.  
(OPTIONAL)



**NOTE: -**  
ITEM NO.02 SHOULD BE PROVIDED AT 8 SUITABLE PLACES  
HAVING 1M SPAN APPROX.

VARIANT NUMBER	ITEM NUMBER	DESCRIPTION	STD	DRAWING NUMBER	ITEM NO	MATERIAL CODE	A/C	UNIT	UNIT WEIGHT	QTY
					VAR NO	MATERIAL SPECN	D1	QUANTITY		
	02	PL.6 X 20 X 60			15 211 092	IS 2062 FE410A			0.040	8
	01	PL.6 X 146.5 X 7942			15 211 092	IS 2062 FE410A			54.800	1

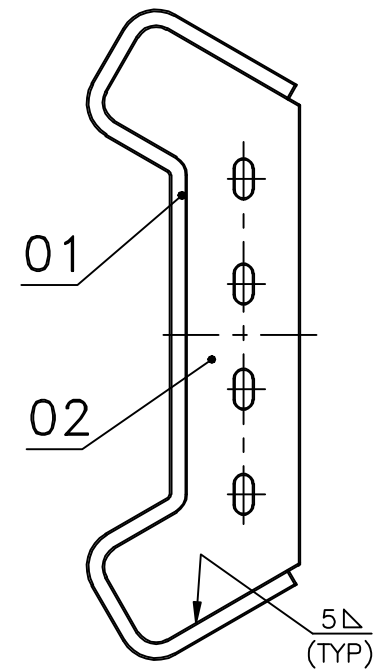
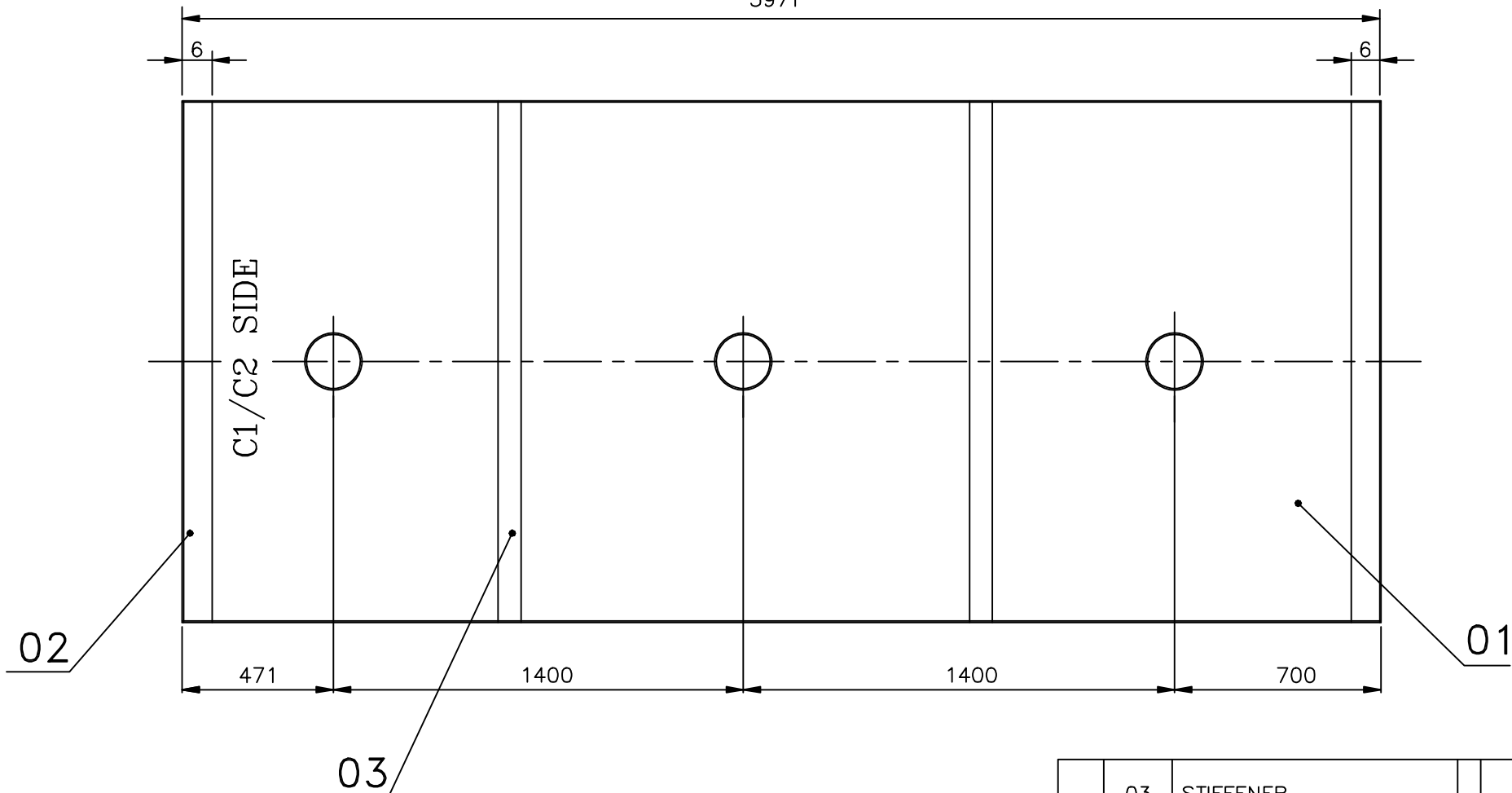
REV	DATE	ALTERED :	CHECKED :
01			
ZONE			

**CAUTION:** The information on this document is the property of BHARAT HEAVY ELECTRICALS LTD. It must not be used directly or indirectly in any way detrimental to the interest of the company.

TYPE OF PRODUCT OR NAME OF CUSTOMER/PROJECT					
 361-320	Bharat Heavy Electricals Ltd		DRN	NAME	DATE
	UNIT: HEAVY PLATES AND VESSELS PLANT		CHD	K.H.THOMAS	28.04.18
	VISAKHAPATNAM - 530012		APPD	MVRP/GGR	28.04.18
			Y.PRASANNA KUMAR	28.04.18	
DEPT	ALL DIMENSIONS ARE IN MM	SCALE	WEIGHT (Kg)	REF TO ASSY / OLD DWG	
HT ENGG		N.T.S	55.120	3-04-116-84640	
CODE				DRAWING NO :	
320				3-04-116-U8184	
TITLE				REV	
BENT PLATE				00	

DRAWING NO: 3-04-116-U8185

3971




VARIANT NUMBER	ITEM NUMBER	DESCRIPTION	STD	DRAWING NUMBER	ITEM NO	MATERIAL CODE	A/C	UNIT	UNIT WEIGHT	QTY
					VAR NO	MATERIAL SPECN		D1	QUANTITY	
	03	STIFFENER		4-04-116-U8167		15 211 092			0.800	
						IS 2062 FE410A			2	
	02	STIFFENER		4-04-116-U8166		15 211 092			0.800	
						IS 2062 FE410A			2	
	01	BOTTOM PLATE		3-04-116-U8186		15 011 029			75.800	
						IS 2062 FE410A			1	

**NOTE:-**

- 01. ITEM 03 TO BE WELDED AT SUITABLE LOCATIONS.
- 02. PAINT THE WORD "C1/C2 SIDE " AS SHOWN.

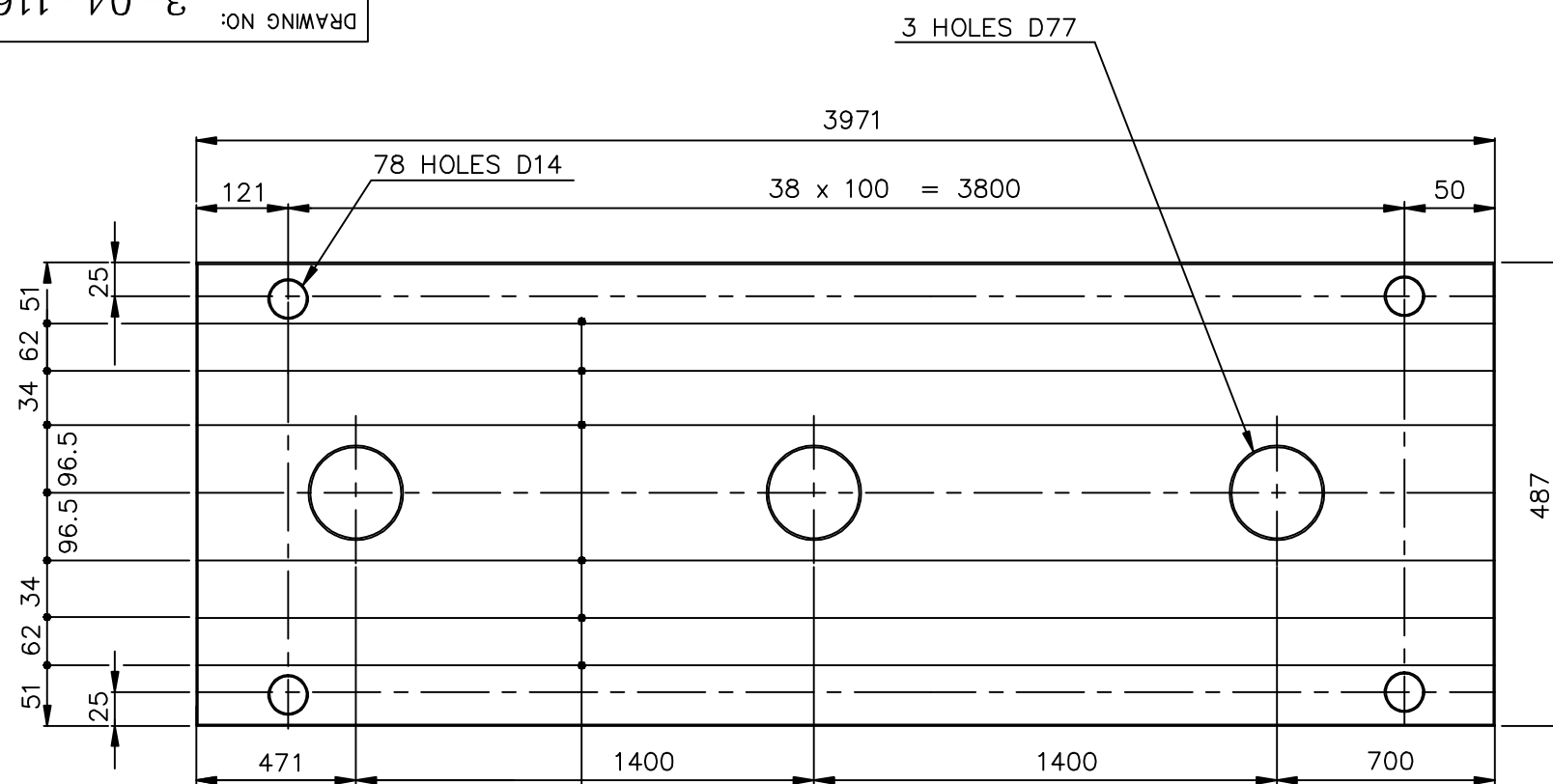
REV	DATE	ALTERED :
01		CHECKED :
ZONE		

CAUTION: The information on this document is the property of BHARAT HEAVY ELECTRICALS LTD. It must not be used directly or indirectly in any way detrimental to the interest of the company.

TYPE OF PRODUCT OR NAME OF CUSTOMER/PROJECT				
 361-320	Bharat Heavy Electricals Ltd UNIT: HEAVY PLATES AND VESSELS PLANT VISAKHAPATNAM - 530012		NAME K.H.THOMAS	DATE 28.04.18
	DEPT HT ENGG	ALL DIMENSIONS ARE IN MM	CHD MVRP/GGR	28.04.18
	CODE 320	SCALE N.T.S	APPD Y.PRASANNA KUMAR	28.04.18
WEIGHT (Kg) 79.000			REF TO ASSY / OLD DWG 3-04-116-84641	
TITLE BOTTOM PLATE ASSY			DRAWING NO : 3-04-116-U8185	
			REV	00

3-04-116-U8186

DRAWING NO:

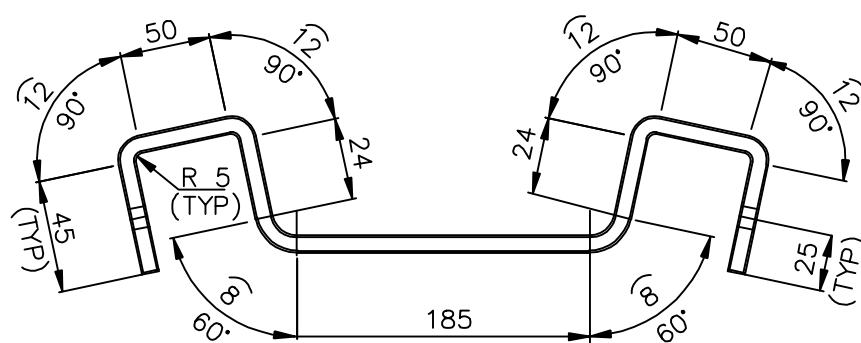


**DEVELOPED PLAN VIEW**

LINES OF BEND

**WELD:**

OPTIONAL  
WELD 5 ⏏ - E7018 - 1 No.



VARIANT NUMBER	ITEM NUMBER	DESCRIPTION	STD	DRAWING NUMBER	ITEM NO	MATERIAL CODE	A/C	UNIT	UNIT WEIGHT	QTY
VAR NO					VAR NO	MATERIAL SPECN		D1	QUANTITY	
		PL.5 X 487 X 3971				15 011 029			75.800	
						IS 2062 Fe410A				

REV	DATE	ALTERED :	CHECKED :
01			
ZONE			

CAUTION: The information on this document is the property of BHARAT HEAVY ELECTRICALS LTD. It must not be used directly or indirectly in any way detrimental to the interest of the company.

TYPE OF PRODUCT  
OR NAME OF  
CUSTOMER/PROJECT

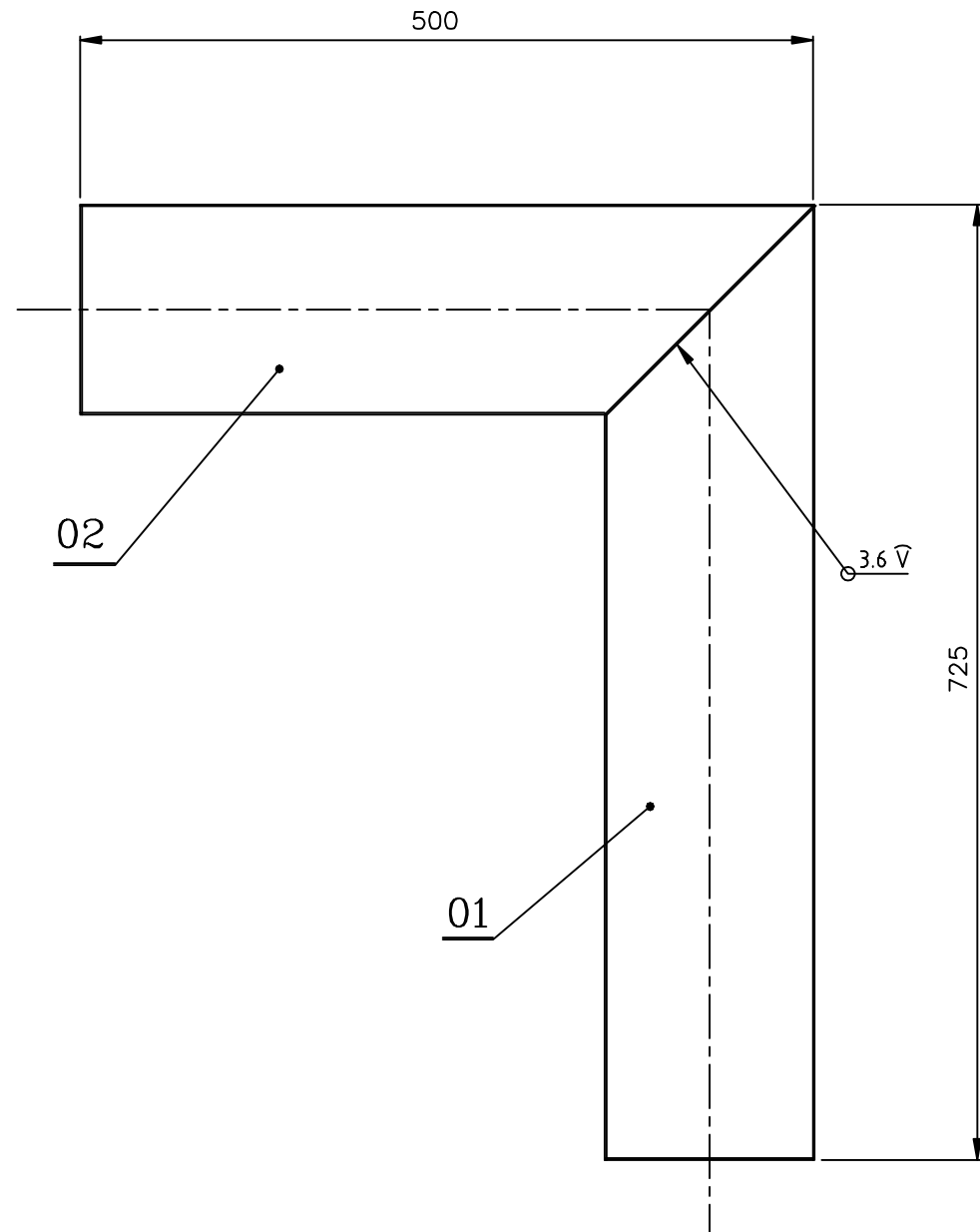


Bharat Heavy Electricals Ltd  
UNIT: HEAVY PLATES AND VESSELS PLANT  
VISAKHAPATNAM - 530012

DRN	NAME	DATE
	K.H.THOMAS	28.04.18
CHD	MVRP/GGR	28.04.18
APPD	Y.PRASANNA KUMAR	28.04.18


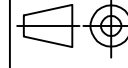
DEPT	HT ENGG	ALL DIMENSIONS ARE IN MM	SCALE	WEIGHT (Kg)	REF TO ASSY / OLD DWG
320			N.T.S	75.800	3-04-116-84642
TITLE					DRAWING NO :
BOTTOM PLATE					3-04-116-U8186
					REV
					00

DRAWING NO: 3-04-116-U8187

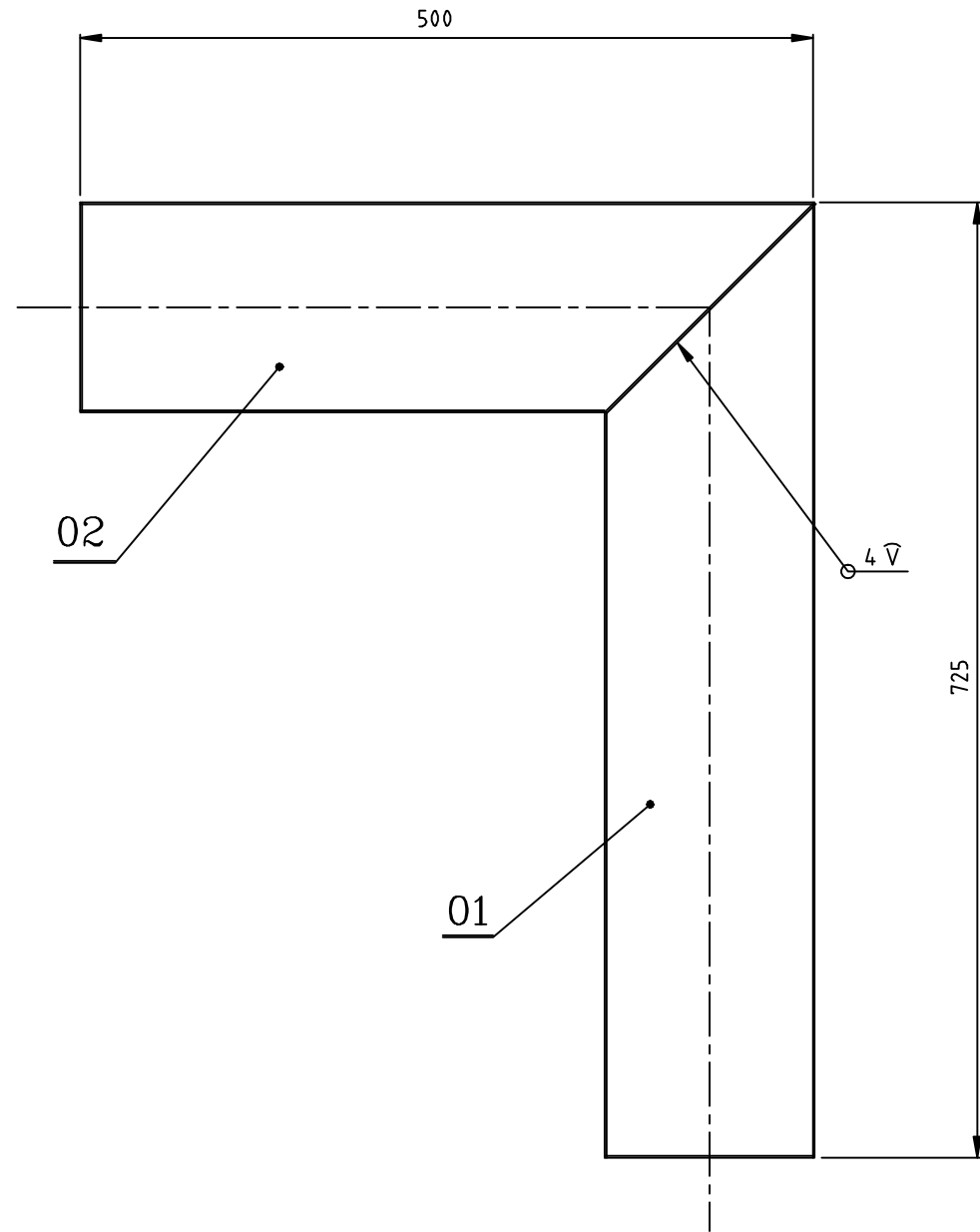


VARIANT NUMBER	ITEM NUMBER	DESCRIPTION	STD	DRAWING NUMBER	ITEM NO	MATERIAL CODE	A/C/P	UNIT	UNIT WEIGHT	QTY
					VAR NO	MATERIAL SPECN		D1	QUANTITY	
	02	PIPE D48.3x3.68 L = 500				15 605 687 SA 106 GR. B	C		2.024	1
	01	PIPE D48.3x3.68 L = 725				15 605 687 SA 106 GR. B	C		2.935	1

REV	DATE	ALTERED
		CHKD & APPD
ZONE		


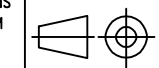
<p>CAUTION: The information on this document is the property of BHARAT HEAVY ELECTRICALS LTD. It must not be used directly or indirectly in any way detrimental to the interest of the company.</p>				TYPE OF PRODUCT OR NAME OF CUSTOMER/PROJECT				
				 <p><b>Bharat Heavy Electricals Ltd</b> UNIT: HEAVY PLATES AND VESSELS PLANT VISAKHAPATNAM - 530012</p>		DRN	NAME	DATE
						CHD	MVRP/GGR	28.04.18
						APPD	Y.PRASANNA KUMAR	28.04.18
DEPT HT ENGG CODE	ALL DIMENSIONS ARE IN MM	PROJECTION	SCALE	WEIGHT (Kg)	3-04-116-84643			
320			N.T.S	4.959				
TITLE					DRAWING NO :	REV		
CBD PIPE					3-04-116-U8187	00		

DRAWING NO: 3-04-116-U8188

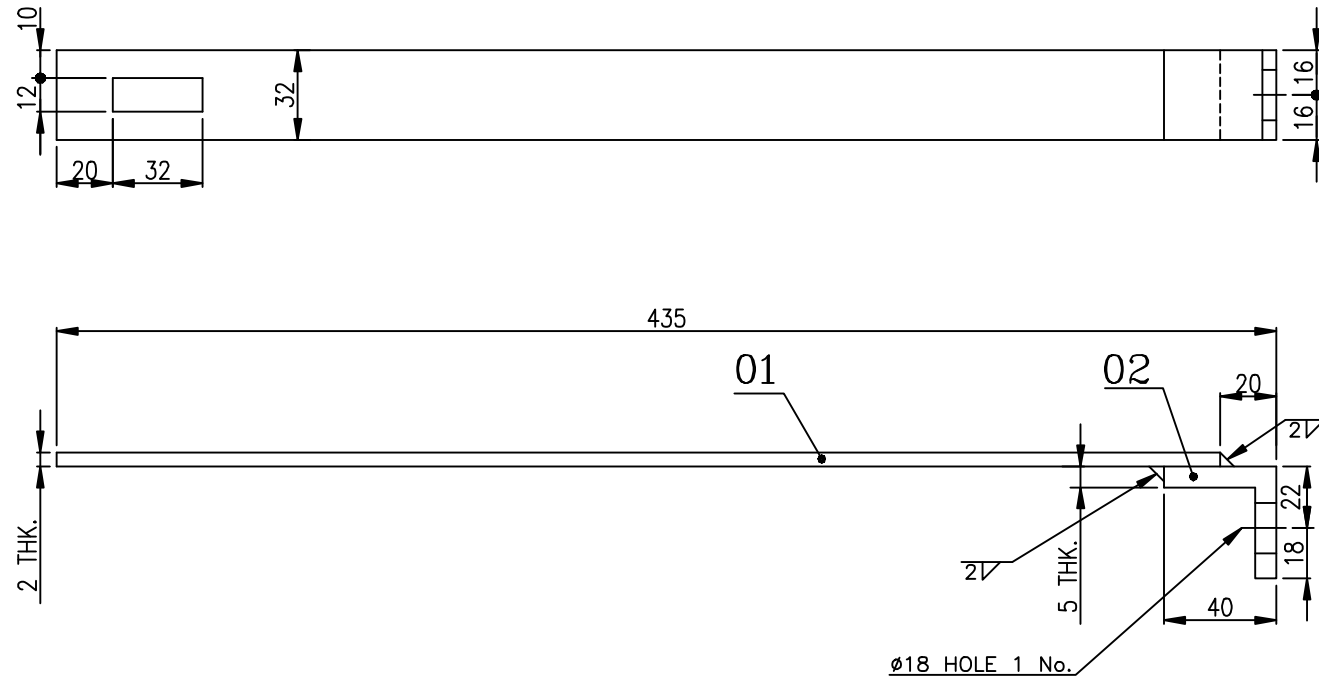


VARIANT NUMBER	ITEM NUMBER	DESCRIPTION	STD	DRAWING NUMBER	ITEM NO	MATERIAL CODE	A/C/P	UNIT	UNIT WEIGHT
					VAR NO	MATERIAL SPECN	D1	QUANTITY	
	02	TUBE D31.8 X 4 L = 500				15 607 519 SA 213 TP 347H	C		1.371 1
	01	TUBE D31.8 x 4 L = 725				15 607 519 SA 213 TP 347H	C		1.988 1

REV	DATE	ALTERED
		CHKD & APPD
ZONE		

CAUTION: The information on this document is the property of BHARAT HEAVY ELECTRICALS LTD. It must not be used directly or indirectly in any way detrimental to the interest of the company.				TYPE OF PRODUCT OR NAME OF CUSTOMER/PROJECT				
				 Bharat Heavy Electricals Ltd UNIT: HEAVY PLATES AND VESSELS PLANT VISAKHAPATNAM - 530012		DRN	NAME	DATE
						CHD	MVRP/GGR	28.04.18
						APPD	Y.PRASANNA KUMAR	28.04.18
DEPT	ALL DIMENSIONS ARE IN MM	PROJECTION	SCALE	WEIGHT (Kg)	REF TO ASSY / OLD DWG			
HT ENGG			N.T.S	3.359	3-04-116-84644			
CODE					DRAWING NO :			
320					3-04-116-U8188			
TITLE					REV			
PHOSPHATE DOSING PIPE					00			


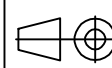
DRAWING NO: 3-04-116-U8189



VARIANT NUMBER	ITEM NUMBER	DESCRIPTION	STD	DRAWING NUMBER	ITEM NO	MATERIAL CODE	A/C	UNIT	UNIT WEIGHT	QTY
					VAR NO	MATERIAL SPECN		D1	QUANTITY	
	02	ISA 40 x 40 x 5 THK. L=32				15 013 187			0.100	
						IS 2062 Fe410A				
	01	SHEET 2 THK. x 32 x 415				15 011 104			0.200	
						IS 1079D				

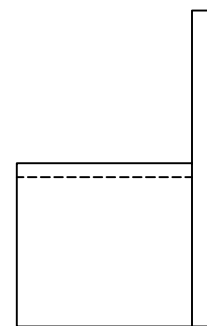
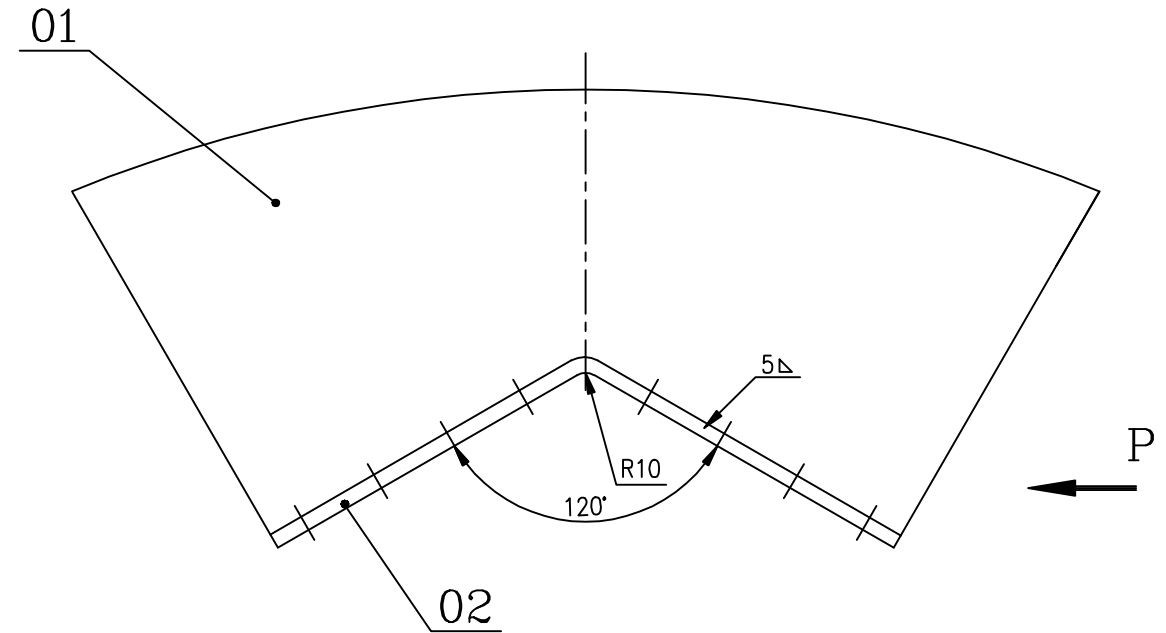
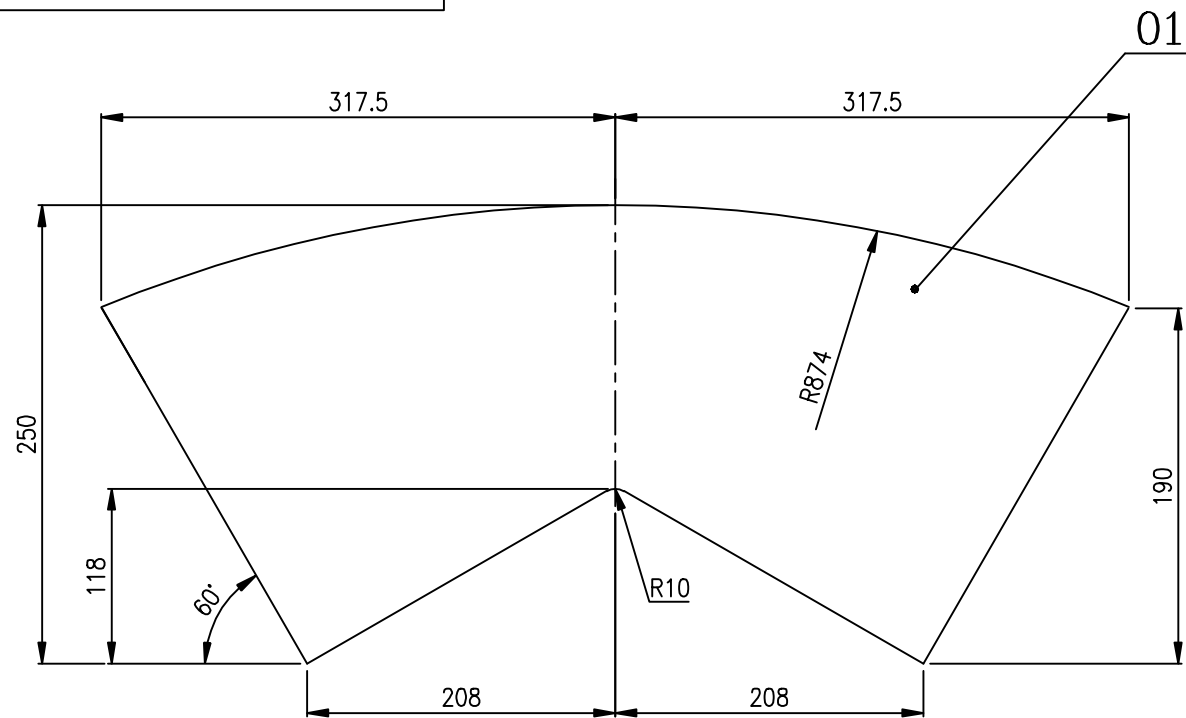
REV	DATE	ALTERED :
01		CHECKED :
ZONE		

CAUTION: The information on this document is the property of BHARAT HEAVY ELECTRICALS LTD. It must not be used directly or indirectly in any way detrimental to the interest of the company.

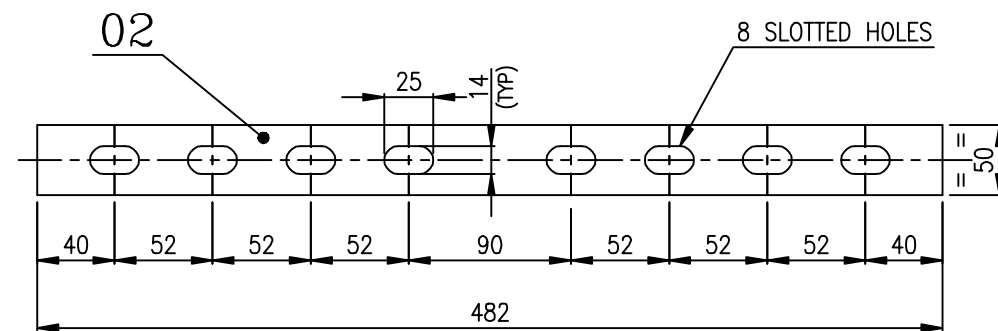
TYPE OF PRODUCT OR NAME OF CUSTOMER/PROJECT			
 Bharat Heavy Electricals Ltd UNIT: HEAVY PLATES AND VESSELS PLANT VISAKHAPATNAM - 530012 361-320	DRN	NAME	DATE
	CHD	K.H.THOMAS	28.04.18
	APPD	MVRP/GGR	28.04.18
DEPT HT ENGG	ALL DIMENSIONS ARE IN MM	SCALE	WEIGHT (Kg)
CODE 320		N.T.S	0.300
TITLE		REF TO ASSY / OLD DWG	
STRAP		3-04-118-80672	
DRAWING NO :			REV
3-04-116-U8189			00

3-04-116-U8190  
DRAWING NO.

ALL DIMENSIONS ARE IN MILLIMETERS




VIEW-P



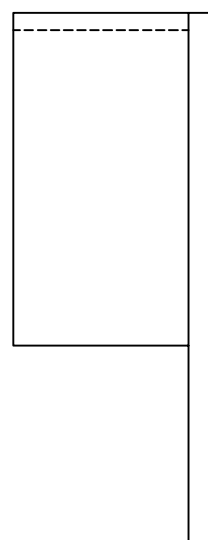
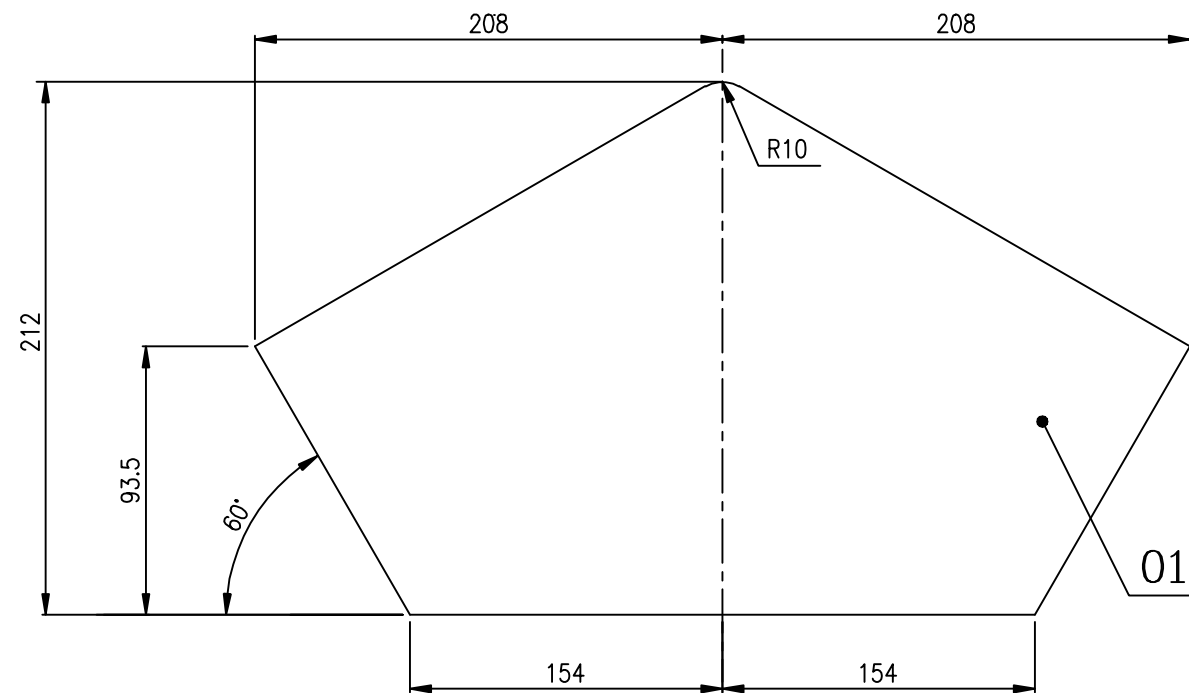
REV	DATE	ALTERED :
01		CHECKED :
ZONE		

VARIANT NUMBER	ITEM NUMBER	DESCRIPTION	STD	DRAWING NUMBER	ITEM NO	MATERIAL CODE	A/C	UNIT	UNIT WEIGHT	QTY
					VAR NO	MATERIAL SPECN		D1	QUANTITY	
	02	PL. 5x50x482				15 011 029			0.900	
						IS 2062 FE 410A			1	
	01	PL.5x250x635				15 011 029			4.300	
						IS 2062 FE 410A			1	

TYPE OF PRODUCT OR NAME OF CUSTOMER/PROJECT				NAME		DATE	
 Bharat Heavy Electricals Ltd UNIT: HEAVY PLATES AND VESSELS PLANT VISAKHAPATNAM - 530012				DRN	K.H.THOMAS	28.04.18	
				CHD	MVRP/GGR	28.04.18	
				APPD	Y.PRASANNA KUMAR	28.04.18	
DEPT	HT ENGG	ALL DIMENSIONS ARE IN MM	SCALE	WEIGHT (Kg)	REF TO ASSY / OLD DWG		
320			N.T.S	5.200	3-04-118-84121		
TITLE					DRAWING NO :		REV
END COVER (TOP)					3-04-116-U8190		

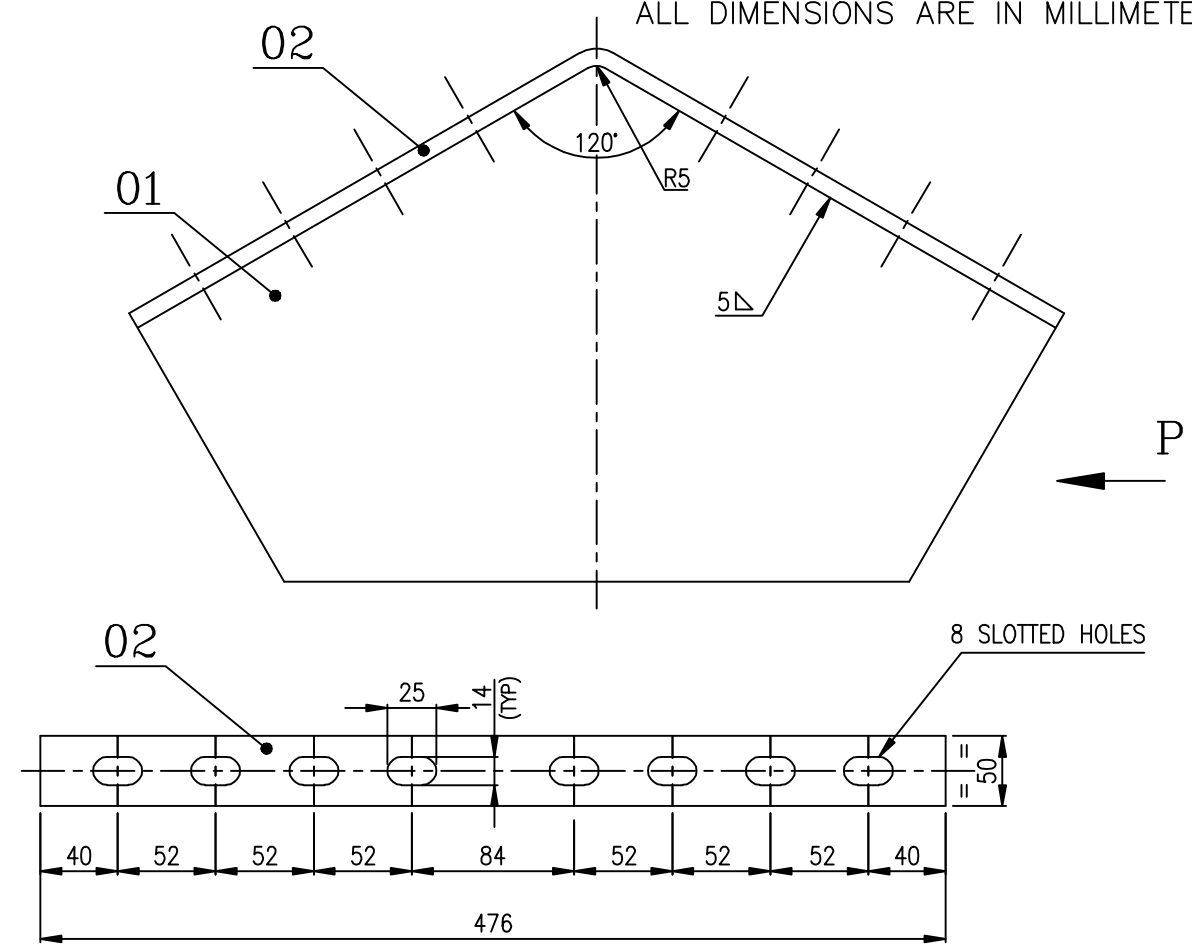
CAUTION: The information on this document is the property of BHARAT HEAVY ELECTRICALS LTD. It must not be used directly or indirectly in any way detrimental to the interest of the company.

3-04-116-U8191  
DRAWING NO.



VIEW-P


ALL DIMENSIONS ARE IN MILLIMETERS



VARIANT NUMBER	ITEM NUMBER	DESCRIPTION	STD	DRAWING NUMBER	ITEM NO	MATERIAL CODE	A/C	UNIT	UNIT WEIGHT	QTY
					VAR NO	MATERIAL SPECN		D1	QUANTITY	
	02	PL. 5x50x476				15 011 029			0.900	
						IS 2062 FE 410A			1	
	01	PL.5x212x416				15 011 029			2.500	
						IS 2062 FE 410A			1	

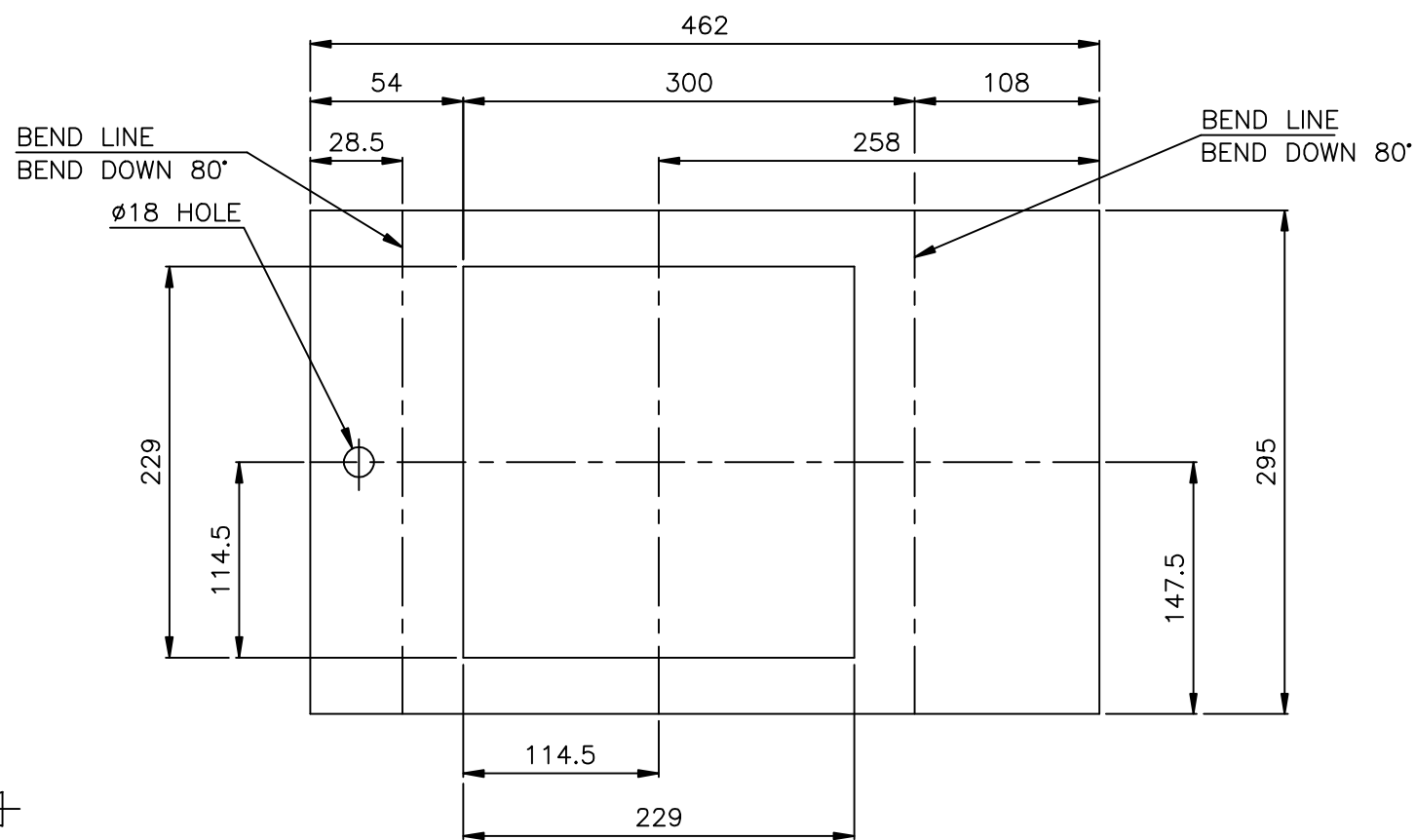
REV	DATE	ALTERED :	CHECKED :
ZONE			

CAUTION: The information on this document is the property of BHARAT HEAVY ELECTRICALS LTD. It must not be used directly or indirectly in any way detrimental to the interest of the company.

TYPE OF PRODUCT OR NAME OF CUSTOMER/PROJECT			
 BHARAT HEAVY ELECTRICALS LTD 361-320	Bharat Heavy Electricals Ltd		NAME K.H.THOMAS
	UNIT: HEAVY PLATES AND VESSELS PLANT VISAKHAPATNAM - 530012		DATE 28.04.18
			CHD MVRP/GGR
		APPD Y.PRASANNA KUMAR	DATE 28.04.18
DEPT HT ENGG	ALL DIMENSIONS ARE IN MM	SCALE N.T.S	WEIGHT (Kg) 3.400
CODE 320	REF TO ASSY / OLD DWG 3-04-118-84122		
TITLE END COVER (BOTTOM)		CARD CODE U 01	DRAWING NO : 3-04-116-U8191
			REV

DRAWING NO: 3-04-116-U8206

ALL DIMENSIONS ARE IN MILLIMETERS



DEVELOPED VIEW



VARIANT NUMBER	ITEM NUMBER	DESCRIPTION	STD	DRAWING NUMBER	ITEM NO	MATERIAL CODE	A/C	UNIT	UNIT WEIGHT	QTY
					VAR NO	MATERIAL SPECN		D1	QUANTITY	
	01	SH. 2: X 295 X 462				15 011 104			2.200	
						IS 1079D				

REV	DATE	ALTERED :	CHECKED :
01			
ZONE			

CAUTION: The information on this document is the property of BHARAT HEAVY ELECTRICALS LTD. It must not be used directly or indirectly in any way detrimental to the interest of the company.

TYPE OF PRODUCT OR NAME OF CUSTOMER/PROJECT



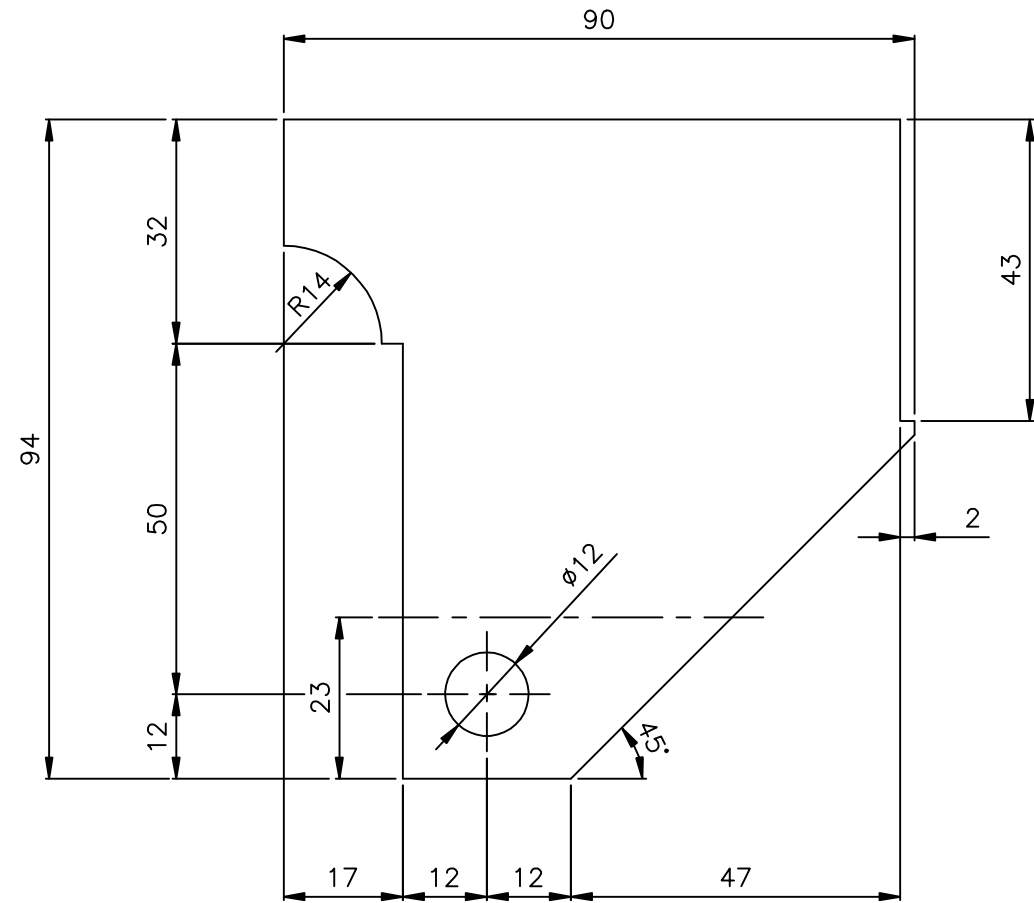
Bharat Heavy Electricals Ltd  
UNIT: HEAVY PLATES AND VESSELS PLANT  
VISAKHAPATNAM - 530012

DRN	NAME	DATE
	K.H.THOMAS	07.06.18
CHD	MVRP/GGR	07.06.18
APPD	Y.PRASANNA KUMAR	07.06.18

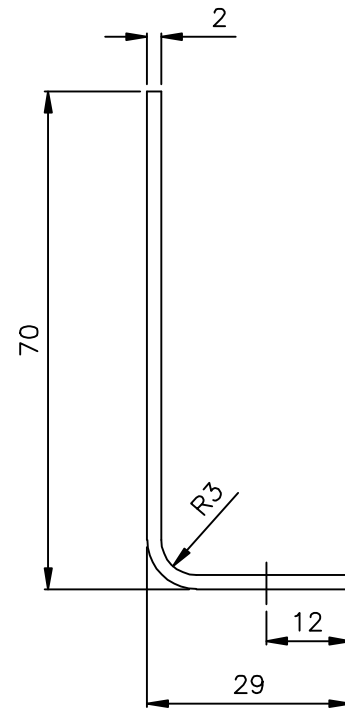
DEPT	HT ENGG	ALL DIMENSIONS ARE IN MM	SCALE	WEIGHT (Kg)	REF TO ASSY / OLD DWG
320			N.T.S	2.200	3-04-114-80518
TITLE					DRAWING NO :
PLATE					3-04-116-U8206
					REV
					00

DRAWING NO: 3-04-116-U8207

ALL DIMENSIONS ARE IN MILLIMETERS




DEVELOPED VIEW



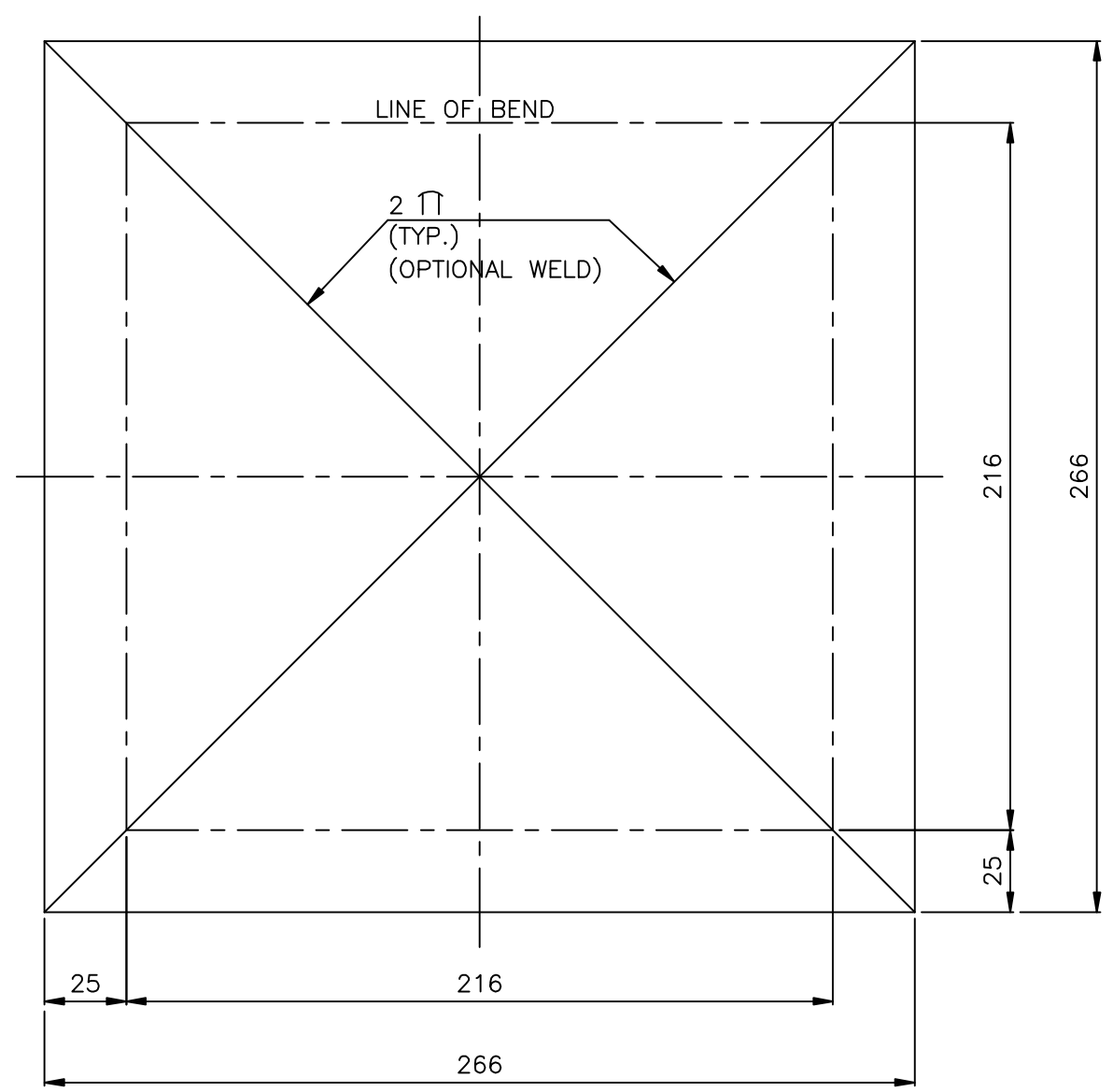
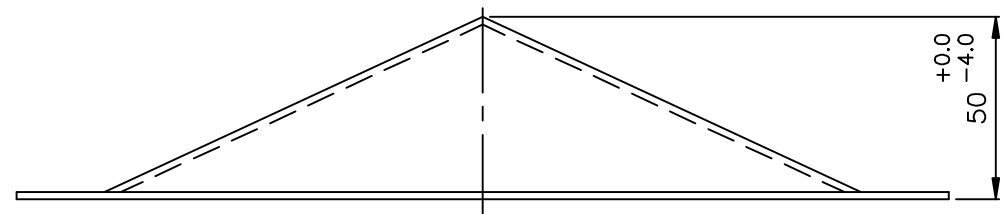
VARIANT NUMBER	ITEM NUMBER	DESCRIPTION	STD	DRAWING NUMBER	ITEM NO	MATERIAL CODE	A/C	UNIT	UNIT WEIGHT	QTY
	01	SH. 2: X 90 X 94				15 011 104			0.100	
					VAR NO	MATERIAL SPECN	D1	QUANTITY		

REV	DATE	ALTERED :	CHECKED :
01			
ZONE			

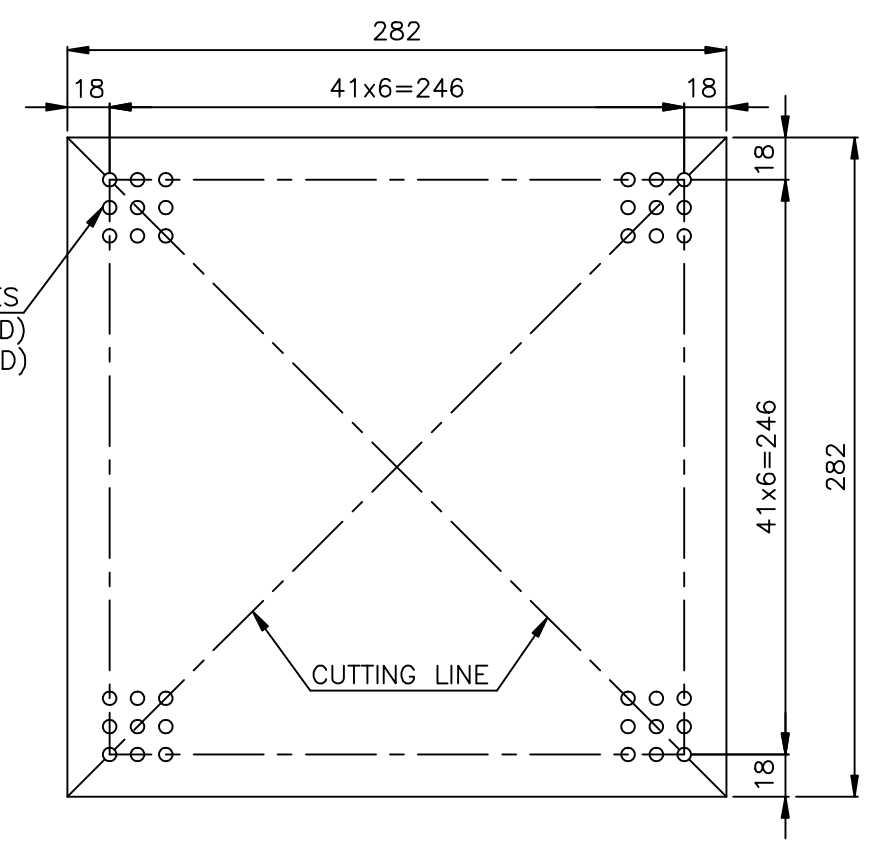
CAUTION: The information on this document is the property of BHARAT HEAVY ELECTRICALS LTD. It must not be used directly or indirectly in any way detrimental to the interest of the company.

TYPE OF PRODUCT OR NAME OF CUSTOMER/PROJECT											
 BHARAT HEAVY ELECTRICALS LTD 361-257	Bharat Heavy Electricals Ltd UNIT: HEAVY PLATES AND VESSELS PLANT VISAKHAPATNAM - 530012		<table border="1"> <tr> <th>NAME</th> <th>DATE</th> </tr> <tr> <td>K.H.THOMAS</td> <td>07.06.18</td> </tr> <tr> <td>MVRP/GGR</td> <td>07.06.18</td> </tr> <tr> <td>Y.PRASANNA KUMAR</td> <td>07.06.18</td> </tr> </table>	NAME	DATE	K.H.THOMAS	07.06.18	MVRP/GGR	07.06.18	Y.PRASANNA KUMAR	07.06.18
	NAME	DATE									
	K.H.THOMAS	07.06.18									
MVRP/GGR	07.06.18										
Y.PRASANNA KUMAR	07.06.18										
<table border="1"> <tr> <th>DEPT</th> <th>ALL DIMENSIONS ARE IN MM</th> <th>SCALE</th> <th>WEIGHT (Kg)</th> </tr> <tr> <td>HT ENGG</td> <td></td> <td>N.T.S</td> <td>0.100</td> </tr> </table>	DEPT	ALL DIMENSIONS ARE IN MM	SCALE	WEIGHT (Kg)	HT ENGG		N.T.S	0.100	REF TO ASSY / OLD DWG 3-04-114-80519		
DEPT	ALL DIMENSIONS ARE IN MM	SCALE	WEIGHT (Kg)								
HT ENGG		N.T.S	0.100								
TITLE SUPPORT PLATE		DRAWING NO : 3-04-116-U8207	REV 00								

DRAWING NO: 3-04-116-U8208



Ø3 HOLES  
(1764 HOLES IF PRESSED)  
(1500 HOLES MIN. IF WELDED)




**NOTE:-**

1. PERFORATED PYRAMID CAN BE FABRICATED EITHER BY PRESSING OR BY WELDING.
2. IF FABRICATED BY WELDING THE HOLES WILL NOT BE DRILLED ON & NEAR THE CUTTING LINE.

VARIANT NUMBER	ITEM NUMBER	DESCRIPTION	STD	DRAWING NUMBER	ITEM NO	MATERIAL CODE	A/C	UNIT	UNIT WEIGHT	QTY
VAR NO						MATERIAL SPECN		D1	QUANTITY	
	01	SH. 2: X 282 X 282				15 011 104			1.000	
						IS 1079D				

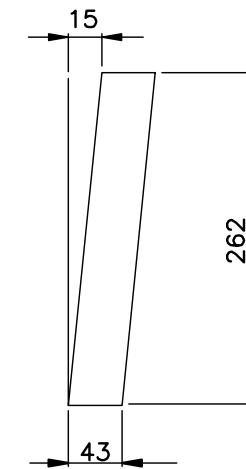
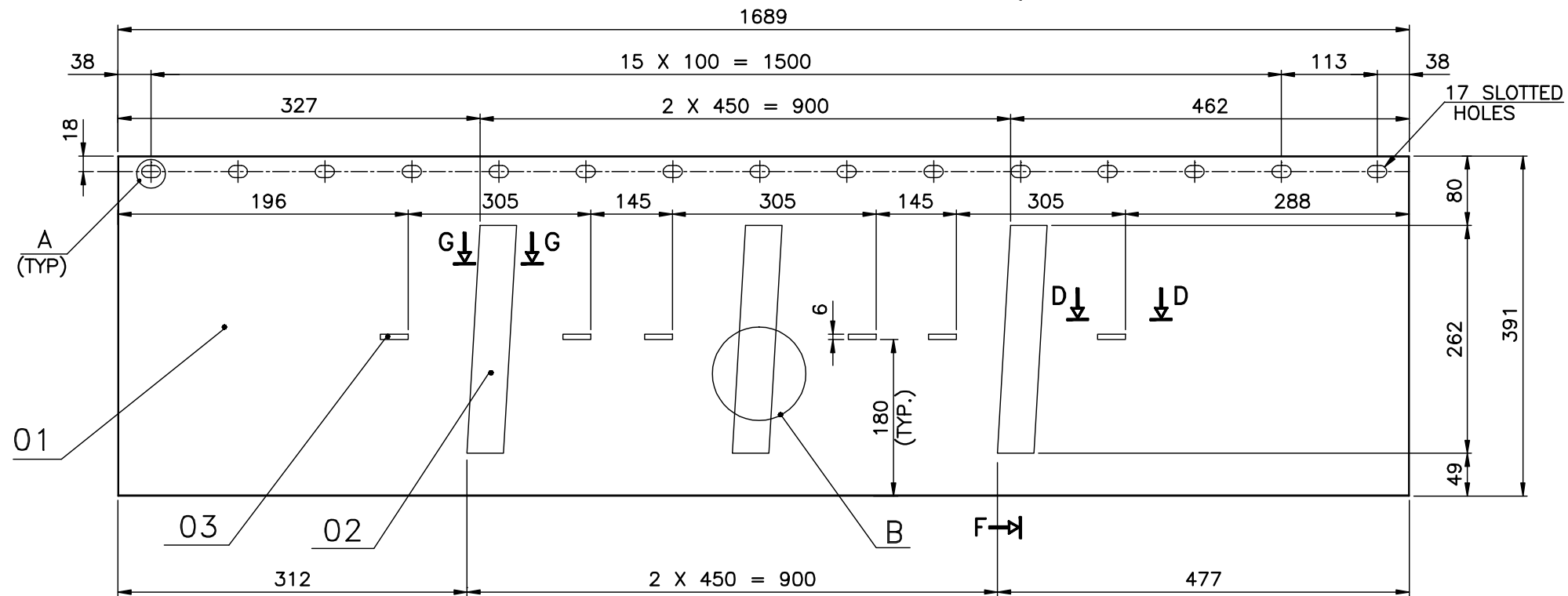
REV	DATE	ALTERED :	CHECKED :
01			
ZONE			

CAUTION: The information on this document is the property of BHARAT HEAVY ELECTRICALS LTD. It must not be used directly or indirectly in any way detrimental to the interest of the company.

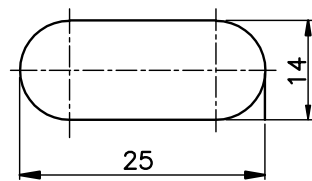
TYPE OF PRODUCT OR NAME OF CUSTOMER/PROJECT				
 361-257	Bharat Heavy Electricals Ltd UNIT: HEAVY PLATES AND VESSELS PLANT VISAKHAPATNAM - 530012		NAME K.H.THOMAS	DATE 07.06.18
	DEPT HT ENGG	ALL DIMENSIONS ARE IN MM	CHD MVRP/GGR	DATE 07.06.18
	CODE 320	SCALE N.T.S	APPD Y.PRASANNA KUMAR	DATE 07.06.18
WEIGHT (Kg) 1.000			REF TO ASSY / OLD DWG 3-04-114-80520	
TITLE PERFORATED PYRAMID			DRAWING NO : 3-04-116-U8208	
			REV	00

DRAWING NO: 3-04-116-U8260

ALL DIMENSIONS ARE IN MILLIMETERS



DETAIL-B  
(TYPICAL SLOTTED HOLE IN THE DUCT PLATE)



DETAIL-A

**NOTE:-**

FOR ALL OTHER DETAIL REFER ASSY. DRG. No. 0-04-116-U8046

VARIANT NUMBER	ITEM NUMBER	DESCRIPTION	STD	DRAWING NUMBER	ITEM NO	MATERIAL CODE	A/C	UNIT	UNIT WEIGHT	QTY
					VAR NO	MATERIAL SPECN		D1	QUANTITY	
	03	HOOK; PL.6X32X50		4-04-116-U8263		15 211 092			0.075	
						IS 2062 E250A			6	
	02	CONNECTING DUCT-I		2-04-116-U8104		WELDMENT			2.120	
									3	
	01	DUCT PLATE PL.6 X 391 X 1689				15 211 092			31.086	
						IS 2062 FE410A			1	

CAUTION: The information on this document is the property of BHARAT HEAVY ELECTRICALS LTD. It must not be used directly or indirectly in any way detrimental to the interest of the company.		TYPE OF PRODUCT OR NAME OF CUSTOMER/PROJECT		NAME		DATE
		Bharat Heavy Electricals Ltd UNIT: HEAVY PLATES AND VESSELS PLANT VISAKHAPATNAM - 530012		DRN	T.S.S.RAO	01.10.2018
				CHD	GGR	01.10.2018
DEPT HT ENGG. CODE		ALL DIMENSIONS ARE IN MM	SCALE	WEIGHT (Kg)	REF TO ASSY / OLD DWG	
320			N.T.S	37.896	3-04-176-83499	
TITLE					DRAWING NO :	REV
DUCT PLATE ASSEMBLY					3-04-116-U8260	00

REV	DATE	ALTERED :
01		CHECKED :
ZONE		