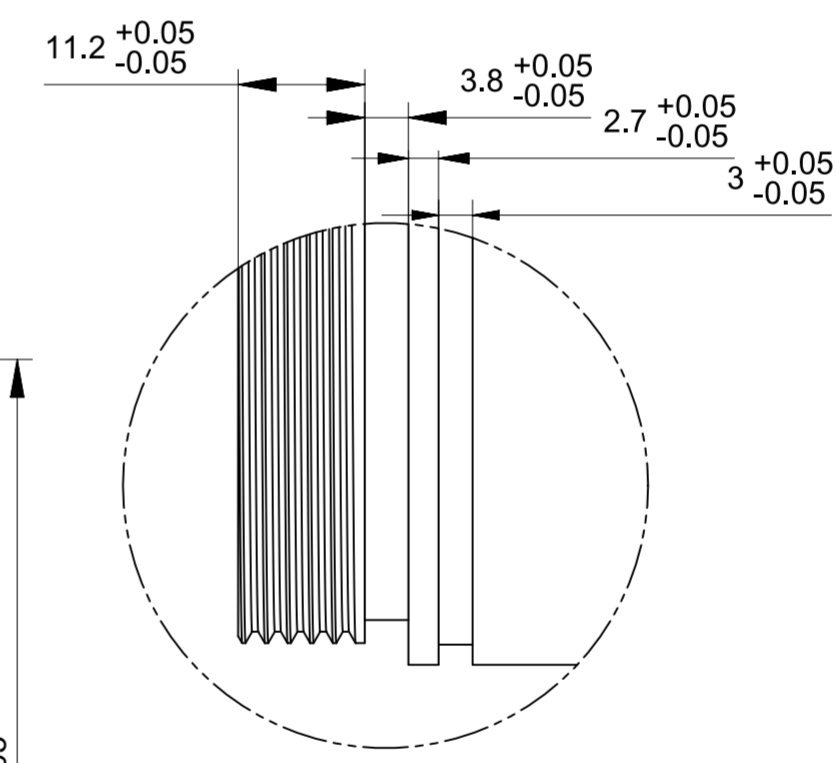
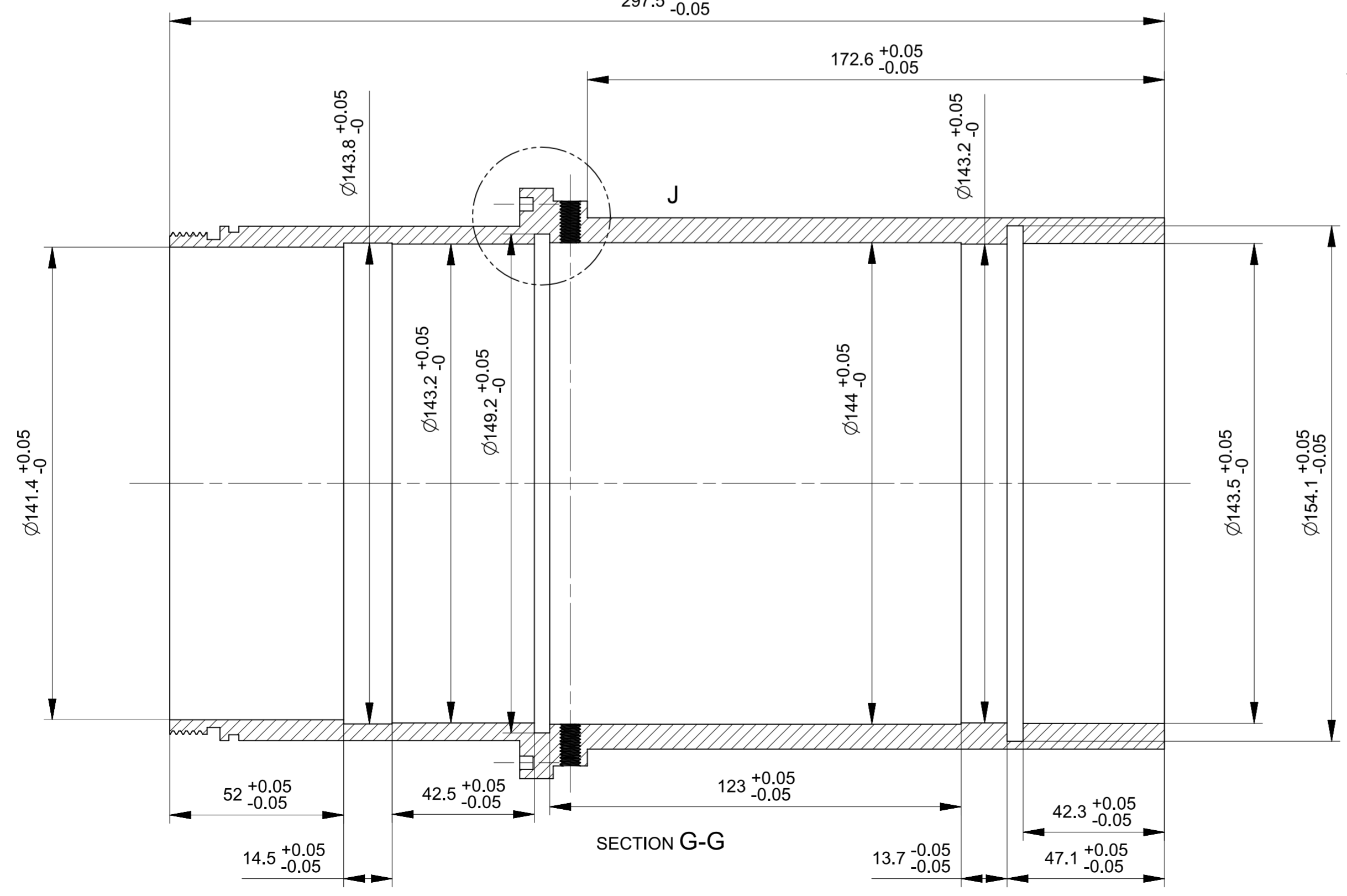
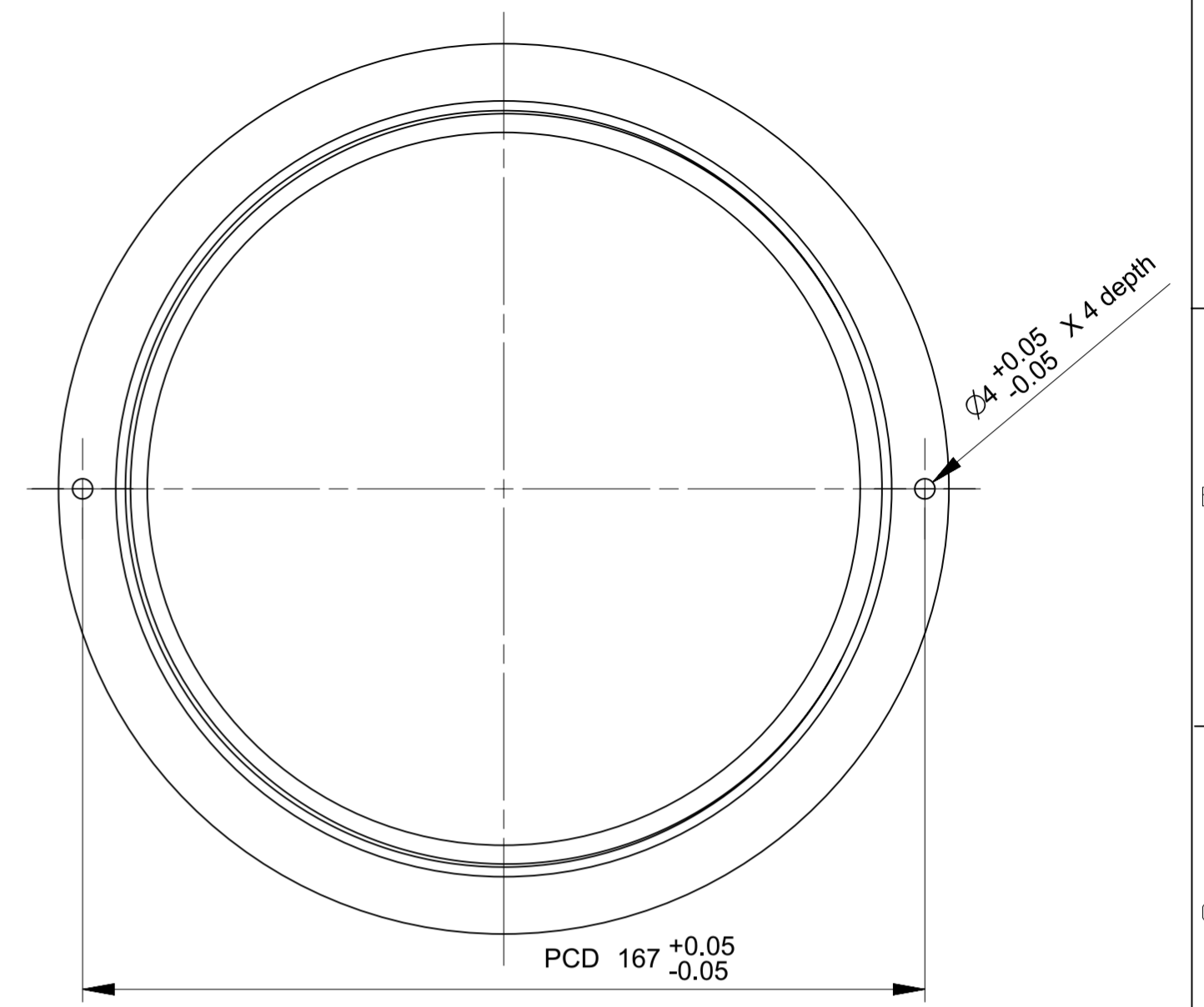
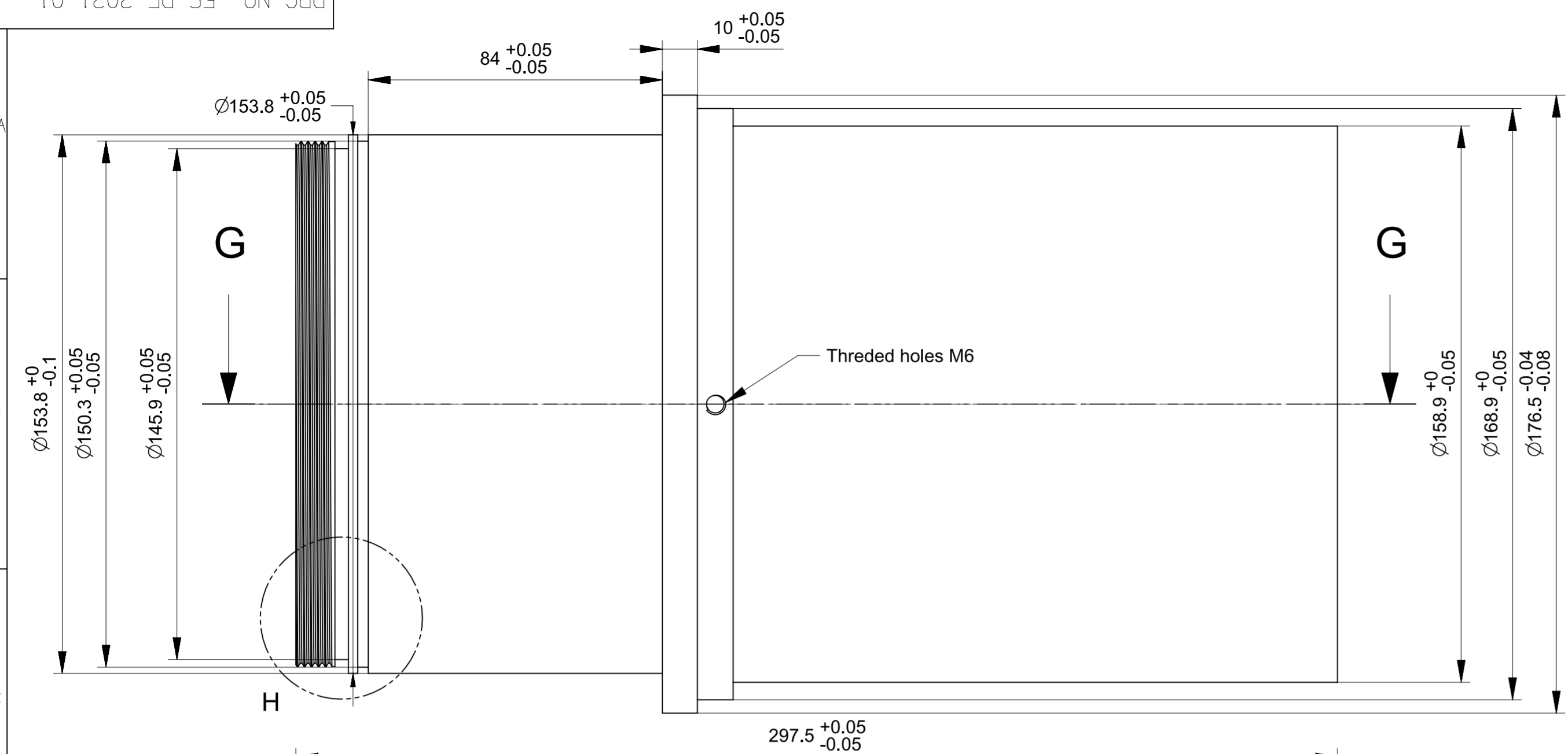
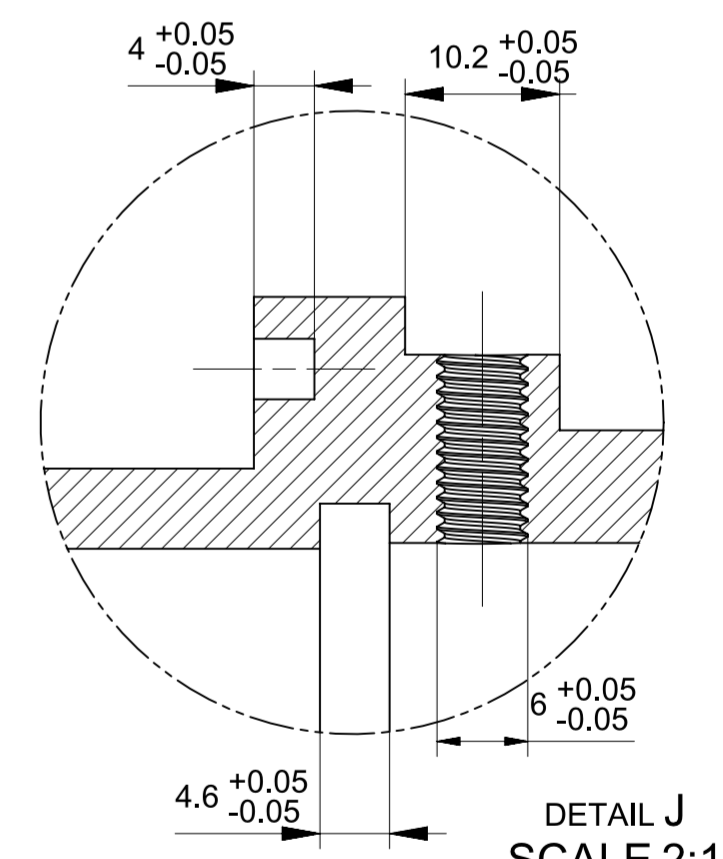


THE INFORMATION ON THIS DOCUMENT IS THE PROPERTY OF BHARAT HEAVY ELECTRICALS LIMITED.
 IT MUST NOT BE USED DIRECTLY OR INDIRECTLY IN ANY WAY DETRIMENTAL TO THE INTEREST OF THE COMPANY.



DETAIL H
SCALE 3:2



DETAIL J
SCALE 2:1

TYPE OF PRODUCT OR NAME OF CUSTOMER/PROJECT		DE SS			
BHARAT HEAVY ELECTRICALS LTD. Corporate R&D, HYDERABAD	DRW.	N Muni Kumar	SIGN.	DATE	NO. OF VAR.
	CHD.	A suresh Babu		13.12.2021	
	APPD.	Manish Agrawal		13.12.2021	N.A
DEPT. MDF	SCALE NTS	WEIGHT (kg) 7.7	REF. TO ASSY DRG.	ITEM NO.	NO. OF ITEMS
CODE 41		MAT. - SS 420	NA		
TITLE			DRAWING NO.		REV.
DE SS			FS-DE-2021-01		00
			SHEET NO. 01	NO OF SHEETS 01	