

**REFERENCE DRAWINGS:-**

DESCRIPTION	DRAWING NO.
GEN ARRGT. OF BOILER SEC. PLAN	0-00-022-75676
GEN ARRGT. OF BOILER FRONT ELEVATION	0-00-022-75678
KEY PLAN OF BOILERS	0-00-020-75679
LOCATION OF FURNACE OPENINGS AND BUCKSTAYS	0-00-020-75680
TP DETAILS OF FW, WS, HRH & CRH PIPING	0-00-020-75681
LAYOUT OF COLD AIR DUCTING-ELEVATION	0-00-020-75682
LAYOUT OF COLD AIR DUCTING-PLAN	0-00-020-75683
LAYOUT OF HOT AIR DUCTING-ELEVATION	0-00-020-75684
LAYOUT OF HOT AIR DUCTING-PLAN	0-00-020-75685
LAYOUT OF FLUE GAS DUCTING	0-00-020-75686
LAYOUT OF ID SYSTEM-ELEVATION	0-00-020-75687
LAYOUT OF ID SYSTEM-PLAN (UNIT No.1)	0-00-020-75688
LAYOUT OF ID SYSTEM-PLAN (UNIT No.2)	0-00-020-75689
FLOOR PLAN @ EL. 5250	0-00-021-75691
TO	TO
FLOOR PLAN @ EL. 5950 (MEL-S)	0-00-021-75705
FLOOR PLAN @ EL. 62750	1-00-021-71477
TO	TO
FLOOR PLAN @ EL. 88400	1-00-021-71484
TO	TO
BOILER EQUIPMENT DESIGNATION	3-00-020-70167

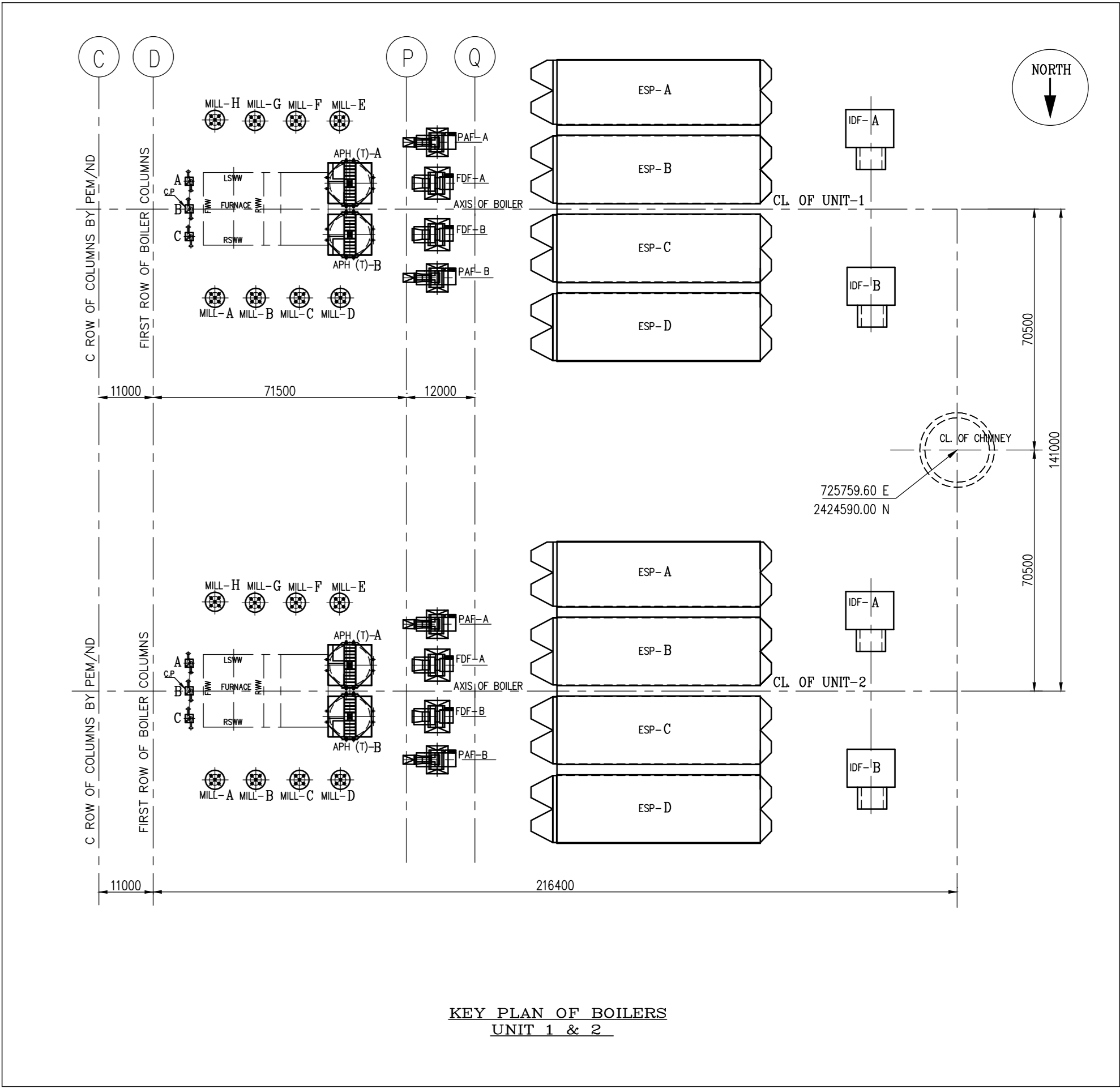
**NOTES:-**

- ALL FURNACE OPENINGS ARE TO BE PROVIDED ON BOTH SIDES, OTHERWISE STATED.
- ALL DUCT DIMENSIONS ARE INSIDE SIZES ONLY.
- ALL INNER CORNERS OF DUCT TURNING ARE 300 RADIUS ONLY, UNLESS OTHERWISE SPECIFIED.
- ALL ELEVATIONS ARE WITH RESPECT TO FINISHED FLOOR LEVEL OF TG BUILDING AS EL. 0.00M WHICH CORRESPONDS EL.23.0M. FFL OF BOILER AREA SHALL BE 200mm BELOW FFL OF TG BLDG.

**LEGEND:-**

ALL THE OPENINGS SHOWN ARE APPLICABLE FOR BOTH THE SIDES UNLESS IT IS SPECIFICALLY WRITTEN.

⊕	LRSB	LONG RETRACTABLE SOOT BLOWER
⊕	WR	WALL BLOWER
⊕	F	FUTURE WALL BLOWER
⊕	TP	TEMPERATURE PROBE
⊕	AD	ACCESS DOOR
⊕	ODD	OBSERVATION DOOR
⊕	ASLD	ACOUSTIC STEAM LEAK DETECTION CHANNEL
⊕	TP	TERMINAL POINT
⊕	MBL	MAN BRACE LEVEL
⊕	WP	WORK POINT
⊕	BS	BUCK STAY
⊕	FG	FURNACE GUIDE AT AXIS OF BOILER
⊕	FG	FURNACE GUIDE
⊕	F	FUTURE LRSB
⊕	WCAD	WATER COOLED ACCESS DOOR



**BOILER PARAMETERS (BMCR)**

STEAM FLOW AT SUPER HEATER OUTLET - 1955 t/h  
 PRESSURE OF SUPER HEATED STEAM - 178 kg/50cm<sup>2</sup>  
 TEMPERATURE OF SUPERHEATED STEAM - 540°C  
 STEAM FLOW AT REHEATER OUTLET - 1663.7 t/h  
 ENTRY PRESSURE OF REHEATED STEAM - 45.1 kg/50cm<sup>2</sup>  
 ENTRY TEMPERATURE OF REHEATED STEAM - 338.6°C  
 EXIT PRESSURE OF REHEATED STEAM - 42.45 kg/50cm<sup>2</sup>  
 EXIT TEMPERATURE OF REHEATED STEAM - 540°C  
 FEED WATER INLET TEMPERATURE - 254.6°C

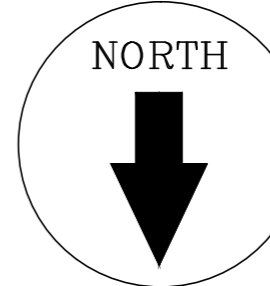
**DESCRIPTION OF UNIT:-**

CONTROLLED CIRCULATION, SINGLE DRUM, RADIANI, DRY BOTTOM, SINGLE REHEAT, PULVERIZED COAL, FRED SOXH OUTDOOR, UTILITY UNIT, BALANCED DRAUGHT, CUT CORNER, 51 mm O.D. TUBES AT 63.5 mm CENTERS, WRAP AROUND BUCKSTAY SYSTEM. TWO NOS. OF EACH 600 MW CAPACITY.

GA OF BOILER SECTIONAL SIDE ELEVATION

CUSTOMER NO. 1615, 1616

CUSTOMER	D.B. POWER LIMITED, GURGAON, HARYANA			
CONSULTANT	DEVELOPMENT CONSULTANT PRIVATE LTD., KOLKATA			
PROJECT	D.B. SUPER THERMAL POWER PROJECT 2 X 600MW Village: Baradarha, District: Jangj-Champa Chhattisgarh - India			
	BHARAT HEAVY ELECTRICALS LTD BOILER PLANT, TRICHURAPALLI - 520014			
NAME	SIGN	DATE	DEPT	TITLE
DRAWN	S.MOHANRAJ	14-09-2010	M	GENERAL ARRANGEMENT OF BOILER
CHECKED	S.SRINIVASAN	14-09-2010	M	SECTIONAL SIDE ELEVATION
APPROVED	G.VEERAMAN	14-09-2010	M	
ALL DIMENSIONS IN MILLIMETRE				DRG No. 0-00-022-75676
PROJECTION	SCALE	1:125		REV 00



**LEGEND :-**

AD	ACCESS DOOR
MR	WALL BLOWER
LOS	LUBE OIL SYSTEM

**REFERENCE DRAWINGS :-**

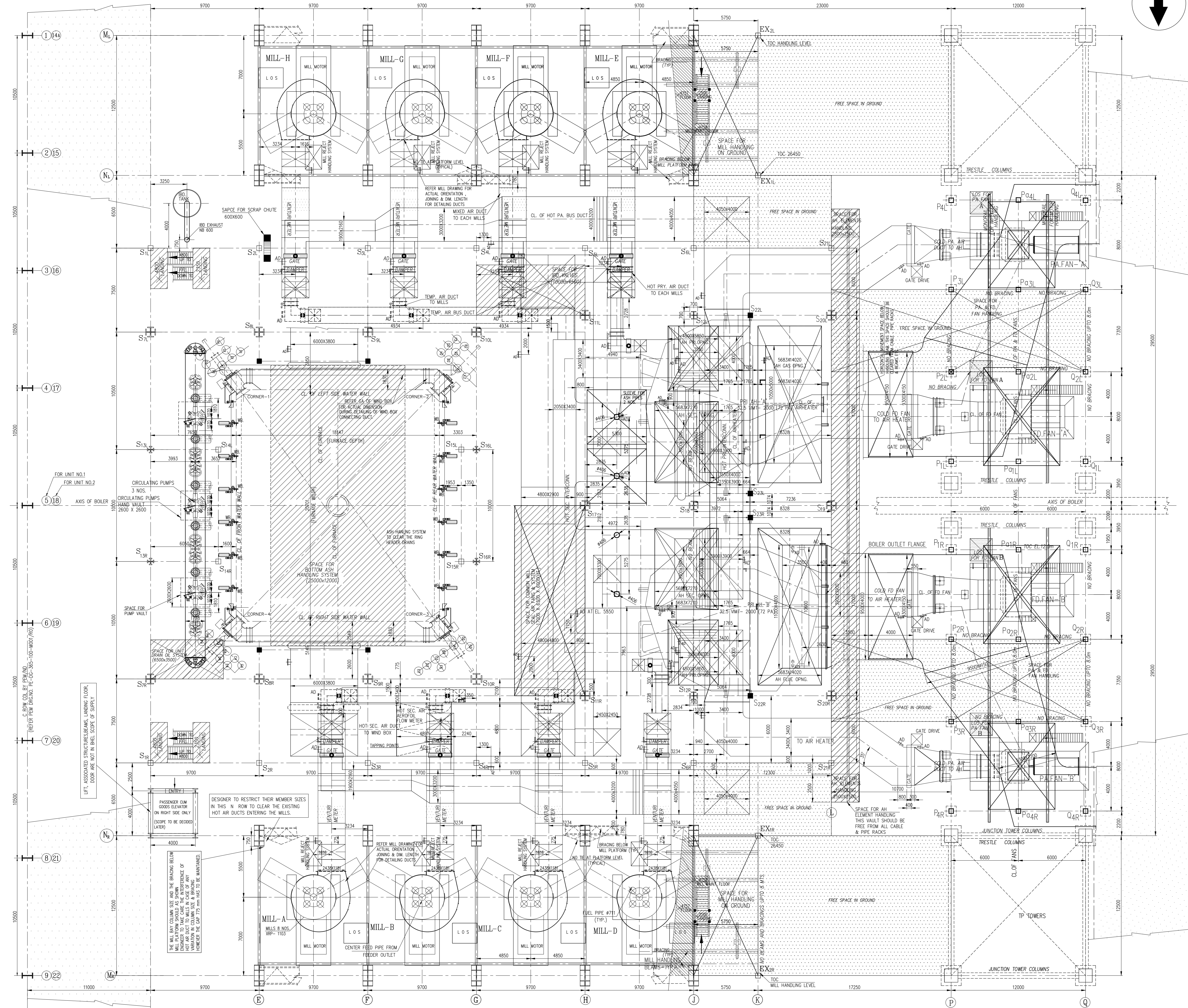
DESCRIPTION	DRAWING NO.
GEN ARRGT. OF BOILER SEC. SIDE ELEVATION	0-00-022-75676
GEN ARRGT. OF BOILER FRONT ELEVATION	0-00-022-75678
KEY PLAN OF BOILERS	0-00-020-75679
LOCATION OF FURNACE OPENINGS AND BUCKSTAYS	0-00-020-75680
TP DETAILS OF FW, MS, HRH & CRH PIPING	0-00-020-75681
LAYOUT OF COLD AIR DUCTING-ELEVATION	0-00-020-75682
LAYOUT OF COLD AIR DUCTING-ELEVATION	0-00-020-75683
LAYOUT OF HOT AIR DUCTING-ELEVATION	0-00-020-75684
LAYOUT OF HOT AIR DUCTING-ELEVATION	0-00-020-75685
LAYOUT OF FLUE GAS DUCTING	0-00-020-75686
LAYOUT OF ID SYSTEM-ELEVATION	0-00-020-75687
LAYOUT OF ID SYSTEM-PLAN (UNIT No.1)	0-00-020-75688
LAYOUT OF ID SYSTEM-PLAN (UNIT No.2)	0-00-020-75689
FLOOR PLAN @ EL.5250	0-00-021-75691
TO	TO
FLOOR PLAN @ EL. 59550 (MEL-5)	0-00-021-75705
FLOOR PLAN @ EL. 62750	1-00-021-71477
TO	TO
FLOOR PLAN @ EL. 62750	1-00-021-71484
BOILER EQUIPMENT DESIGNATION	3-00-020-70167

**BOILER PARAMETERS (BMCR)**

STEAM FLOW AT SUPER HEATER OUTLET - 1950 t/h  
 PRESSURE OF SUPER HEATED STEAM - 178 kgf/cm<sup>2</sup>(G)  
 TEMPERATURE OF SUPERHEATED STEAM - 540°C  
 STEAM FLOW AT REHEATER OUTLET - 1665.7 t/h  
 ENTRY PRESSURE OF REHEATED STEAM - 45.1 kgf/cm<sup>2</sup>(G)  
 ENTRY TEMPERATURE OF REHEATED STEAM - 338.6°C  
 EXIT PRESSURE OF REHEATED STEAM - 42.46 kgf/cm<sup>2</sup>(G)  
 EXIT TEMPERATURE OF REHEATED STEAM - 540°C  
 FEED WATER INLET TEMPERATURE - 254.6°C

**DESCRIPTION OF UNIT :-**  
 CONTROLLED CIRCULATION, SINGLE DRUM, RADIAN,  
 DRY BOTTOM, SINGLE REHEAT, PULVERIZED COAL FRED SEMI OUTDOOR,  
 UTILITY UNIT, BALANCED DRAUGHT, CUT CORNER, 51 mm O.D.TUBES  
 AT 6.5 mm CENTERS, WRAP AROUND BUCKSTAY SYSTEM.  
 TWO NO. OF EACH 600 MM CAPACITY.

- NOTES :-**
- THE CABLE BECK, PIPE RACKS AND ASH PIPES SHOULD NOT ENCROACH IN TO THE HANDLING AREAS. THIS IS VALID FOR BOTH HORIZONTAL & VERTICAL HANDLING VAULTS. SITE ERECTION AGENCY SHOULD INFORM THEIR SUB ERECTOR AND ALL OTHER ALLIED BODIES NOT TO ERECT ANY OTHER ELEMENTS IN HANDLING VAULTS OF FURNACE, FAN HANDLING, AH ELEMENTS HANDLING, MILL HANDLING AND ALL OTHER HANDLING SHOWN IN BOILER AREA EVEN UNDESIRABLY ERECTED, THEN THOSE DEBRIS SHOULD BE REMOVED AT THEIR OWN COST AFTERWARDS.
  - THE FAN FOUNDATION AND CONFIGURATIONS ARE ONLY INDICATIVE & REFER FAN FOUNDATION DRAWINGS FOR EXACT SHAPE & SIZE.
  - ALL FAN ACTUATORS AND FOUNDATION SIZES SHALL BE TAKEN FROM CONCERNED FAN DRAWINGS AND SIZE OF LOCATION SHALL BE AS SHOWN IN THIS DRAWING.
  - THE SPACE FOR ASH HANDLING SYSTEM HAVE BEEN SHOWN. THE ACTUAL SYSTEM SHOULD NOT EXCEED THE VALUES INDICATED.
  - FOR THE DETAILS BEYOND LAST ROW OF COLUMNS, THE INDUCED DRAFT SYSTEM DRAWING MAY BE REFERRED. THIS IS VALID FOR ALL UNITS & INSETMENT CHIMNEY & BOILER.
  - ALL ELEVATIONS ARE WITH RESPECT TO FINISHED FLOOR LEVEL OF TO BUILDING AS CL. 0.00M WHICH CORRESPONDS RL.232.0M. FFL OF BOILER AREA SHALL BE 200mm BELOW FFL OF TO BLDG.



GENERAL ARRANGEMENT OF BOILER SECTIONAL PLAN

CUSTOMER NO. 1615, 1616

CUSTOMER	D.B. POWER LIMITED, GURGAON, HARYANA			
CONSULTANT	DEVELOPMENT CONSULTANT PRIVATE LTD., KOLKATA			
PROJECT	D.B. SUPER THERMAL POWER PROJECT 2 X 600MW Village: Baradarha, District: Jangik-Champa Chhattisgarh - India			
	BHARAT HEAVY ELECTRICALS LTD BOILER PLANT, TRUCHIRAPALLI - 520014			
NAME	SIGN	DATE	DEPT	TITLE
DRAWN	S.MOHANRAJ	14-09-2010	CODE	GENERAL ARRANGEMENT OF BOILER SECTIONAL PLAN
CHECKED	S.SRINIVASAN	14-09-2010	M	
APPROVED	G.VEERAMANI	14-09-2010		
ALL DIMENSIONS IN MILLIMETRE				DRG No: 0-00-022-75677
PROJECTION	SCALE			REV 00
	1:125			