

AH ϕ - 16 mm
 Length - 58 mm
 1st part

AH - 1st part
 Rope - 58 mm
 ϕ 16 mm

SR. NO.	DESCRIPTION	QTY	MAT.	IS CODE
16	BOLTS WITH SPRING WASHER M10X30	2	STEEL	IS 2062
15	SPACER	2	STEEL	IS 2062
14	CLAMP TYPE SAFETY LATCH	1	STEEL	IS 2062
13	BOLTS WITH SPRING WASHER (M10X30 LG)	12	STEEL	IS 1367-1990
12	BOLTS WITH SPRING WASHER (M12X40 LG)	4	STEEL	IS 1367-1990
11	BEARING 6216	4	STEEL	IS 6453
10	BEARING 51312	1	STEEL	IS 6453
9	GREASE NIPPLE 1/4" BSP	2	STEEL	IS 4009
8	HOOK NUT	1	20C8	IS 1570(PART 2) SEC 1-1979
7	C HOOK 10 T	1	20C8	IS 3815-1989
6	ENCLOSURE (6 MM THK.)	1	M.S	IS 1876-1994
5	ENCLOSURE (6 MM THK.)	2	M.S	IS 2062-1994
4	BEARING COVER	2	M.S	IS 2062-1994
3	BEARING COVER	2	M.S	IS 2062-1994
2	CROSS HEAD	2	M.S	IS 2062-1994
1	PULLEY (GROOVE 370 ϕ)	1	20C8	IS 1570(PART 2) SEC 1-1979
		2	CS280-520W	IS 1030-1994

AH HOOK ASSEMBLY - 10T

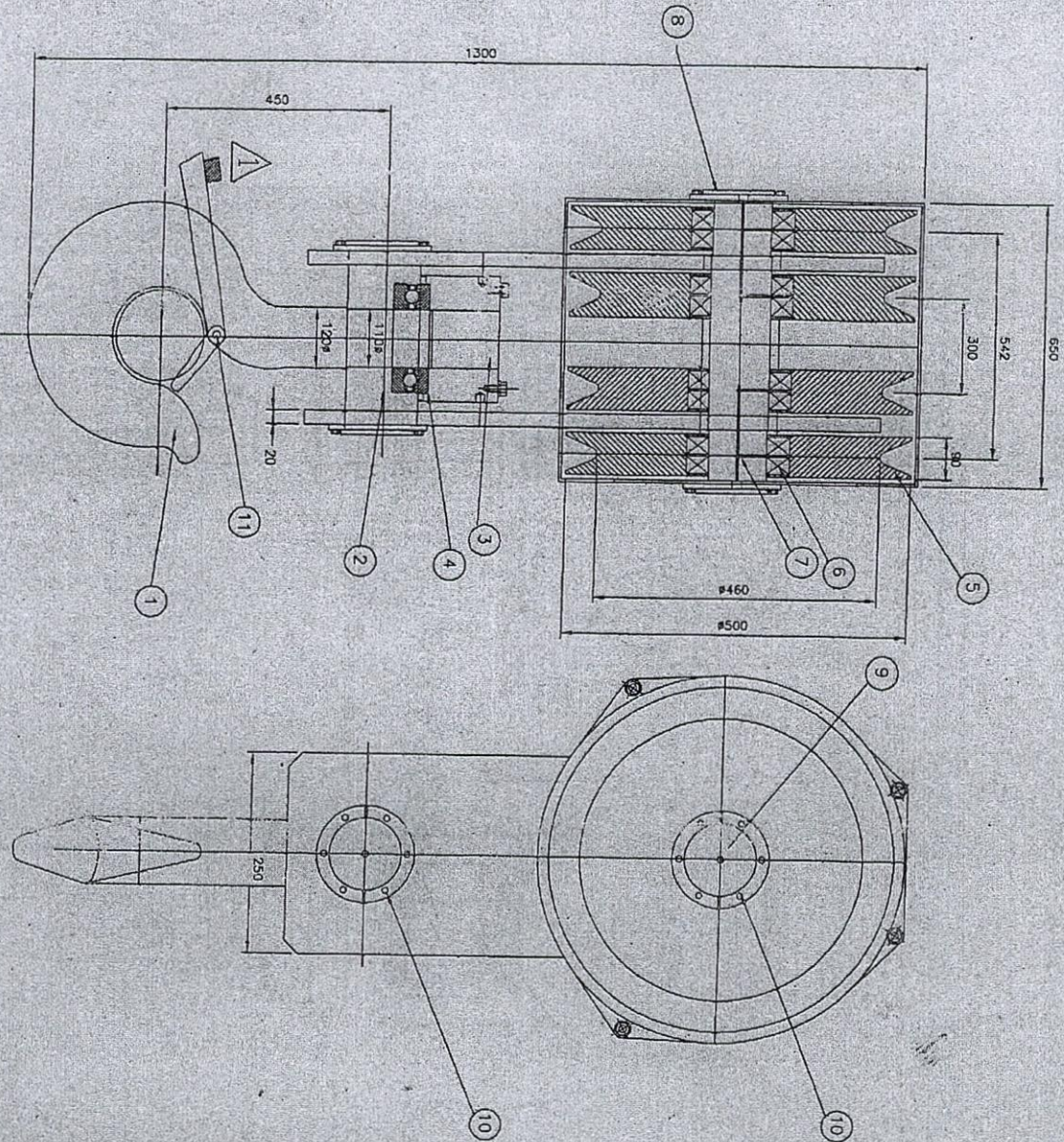
FOR 30/10T EOT CRANE

DRG NO : 4MR-02A-0413

REV	DATE	DESCRIPTION
01	14.05.10	AS PER BHEL COMMENTS

NAME	SIGN	PROJ.	SCALE	SHEET	1 OF 1	REV.
DRAWN						
CHECKED						
APPROVED						

DRAWING N^o :
 BHEL-R/P-433/30/10T/13



DRG NO: 4MR_02A_0407
 ROPE SIZE : $\phi 22$

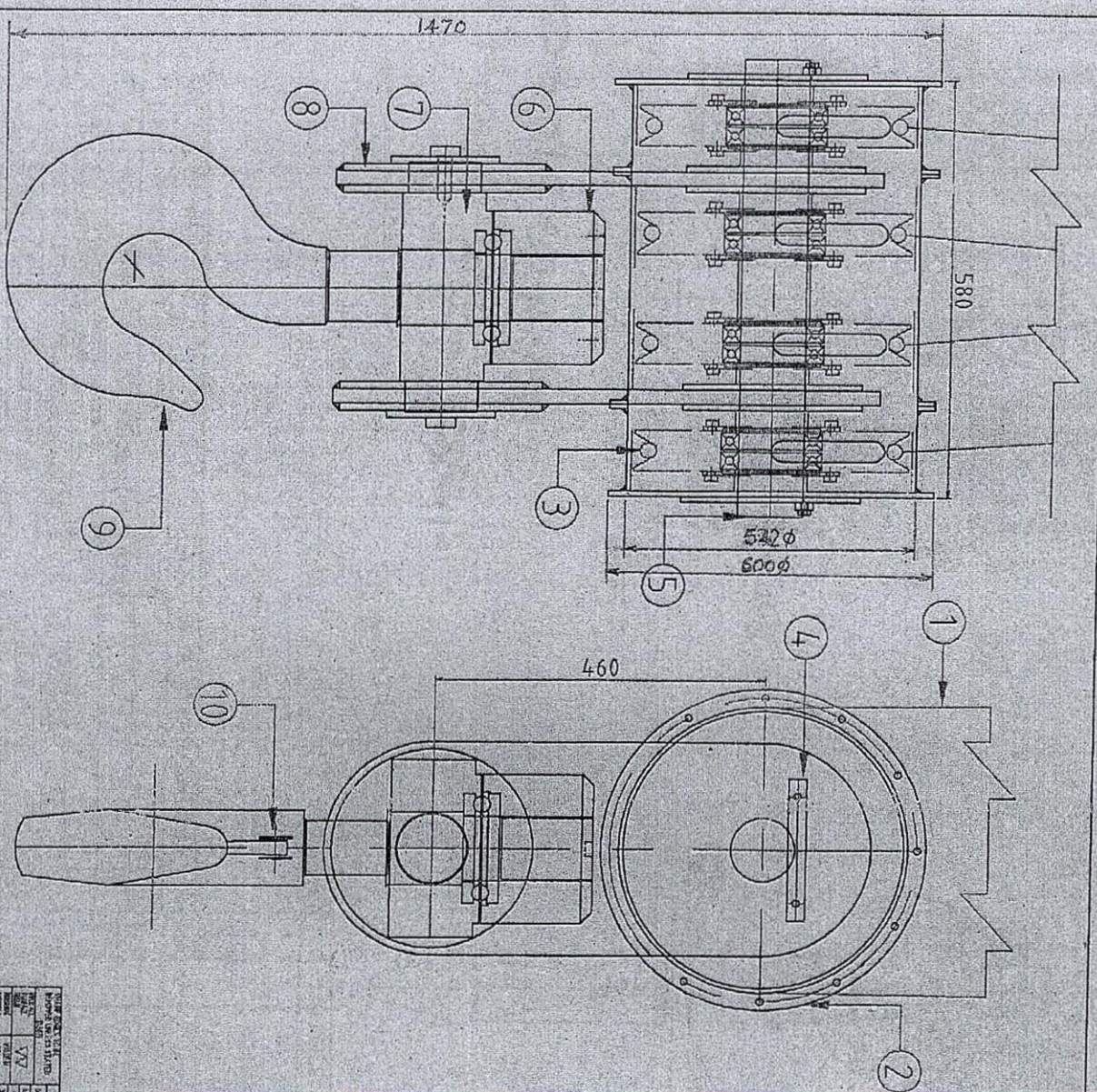
SR NO	DESCRIPTION	QTY	MAT	REMARK
11	CLAMP TYPE SAFETY LATCH	1	STEEL	IS:2062
10	M12X20LG. BOLT WITH SPRING WASHER	24	STEEL	IS:1367-1980
B	1/4" GREASE NIPPL	2	STEEL	IS:4009
B	SUSPENSION PLATE	2	M.S.	IS:2062-1994
7	PULLEY AXLE	1	55C8	9.15% C, 0.5% Mn, 0.3% S, 0.03% P
6	DEEP GROOVE BALL BEARING NO. 6216	8	SHR	IS:6453
5	ROPE PULLEY 460 ϕ GROOVE	4	MS-30M	IS:100-194
4	THRUST BALL BEARING NO. 51322	1	STEEL	IS:6453
3	HOOK NUT	1	20C8	0.15% C, 0.05% Mn, 0.005% S, 0.005% P
2	EROSG. HEAD	1	20C8	0.15% C, 0.05% Mn, 0.005% S, 0.005% P
1	30T. CAPACITY C HOOK	1	MS-30M	IS:100-194

CUSTOMER: BHARAT HEAVY ELECTRICALS LTD.
 RANIPET

P.O NO. 2792855 DATED 28/12/2009

30T MH HOOK ASSEMBLY
 FOR 30/10T EOT CRANE
 DRG NO: 4MR_02A_0407

EV	DATE	AS PER BHEL COMMENTS	DESCRIPTION
01	14.05.10		



SR NO	DESCRIPTION
01	WIRE ROPW $\phi 22$
02	PULLEY COVER
03	EQUILISER PULLEY
04	LOCKING PLATE
05	PIN FOR PULLEY
06	LOCK NUT
07	TRUNION
08	HANGING PL
09	4.0 TON HOOK
10	SAFETY LATCH

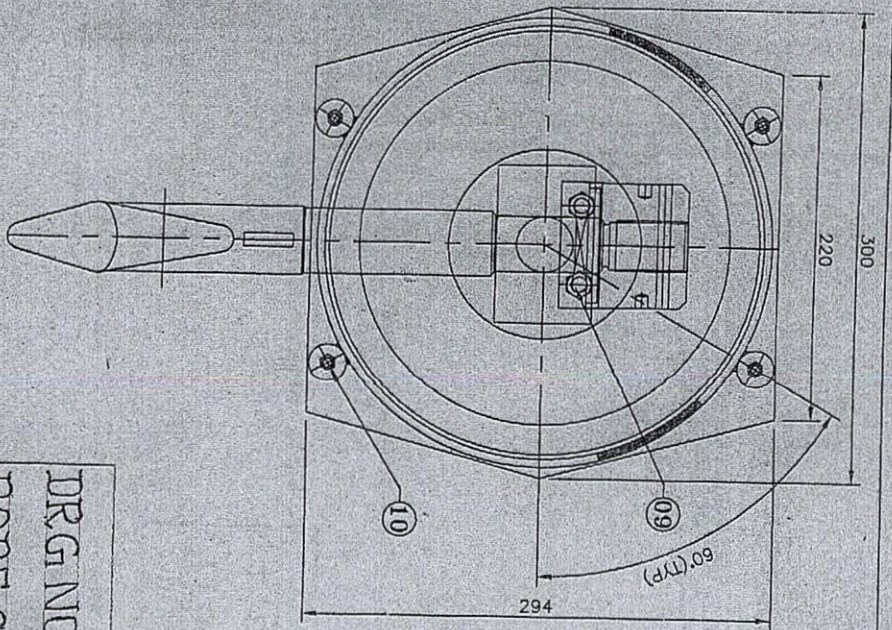
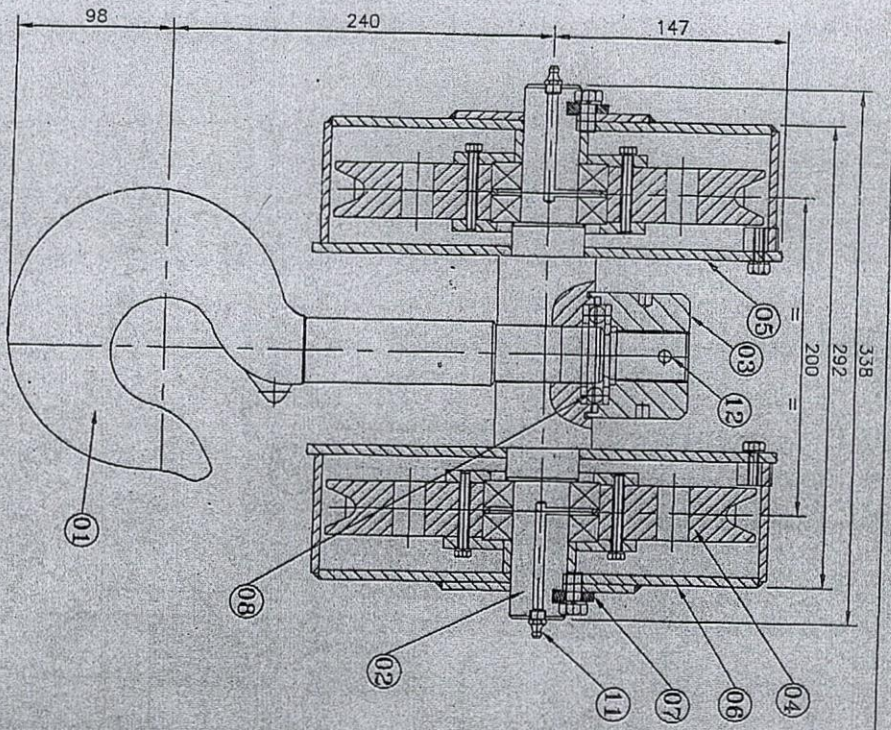
TYPICAL DETAIL OF

4.0 TON HOOK ASSY

DRG NO: 4MR.D2A.0412

REF. ONLY

REV	DATE	BY	CHKD	DESCRIPTION
01	11-11-11	MM	MM	ISSUED FOR FABRICATION
02	11-11-11	MM	MM	ISSUED FOR FABRICATION
03	11-11-11	MM	MM	ISSUED FOR FABRICATION
04	11-11-11	MM	MM	ISSUED FOR FABRICATION
05	11-11-11	MM	MM	ISSUED FOR FABRICATION
06	11-11-11	MM	MM	ISSUED FOR FABRICATION
07	11-11-11	MM	MM	ISSUED FOR FABRICATION
08	11-11-11	MM	MM	ISSUED FOR FABRICATION
09	11-11-11	MM	MM	ISSUED FOR FABRICATION
10	11-11-11	MM	MM	ISSUED FOR FABRICATION



12	1	PIN $\phi 8 \times 75$ LG.	M.S.	TO BE RIVETED ON ASS'Y.
11	2	GREASE NIPPLE 1/8" BSP	STD	
10	2	HEX. SCREW+SP. WASHER M8X25 LG.	STD	
9	4	HEX. SCREW+SP. WASHER M10 X20 LG.	STD	
8	1	THRUST BEARING $\phi 35 \times \phi 62 \times 18$ (51207)	STD	SKF/EQ. MAK.
7	2	LOCKING PLATE	M.S.	C4.95.464
6	2	PULLEY COVER	M.S.	C3.AD.0834
5	2	SIDE PLATE	M.S.	C3.AD.0833

4	2	PULLEY ASS'LY $\phi 232$		
3	1	LOAD HOOK NUT		
2	1	TRUNION		
1	1	LOAD HOOK		

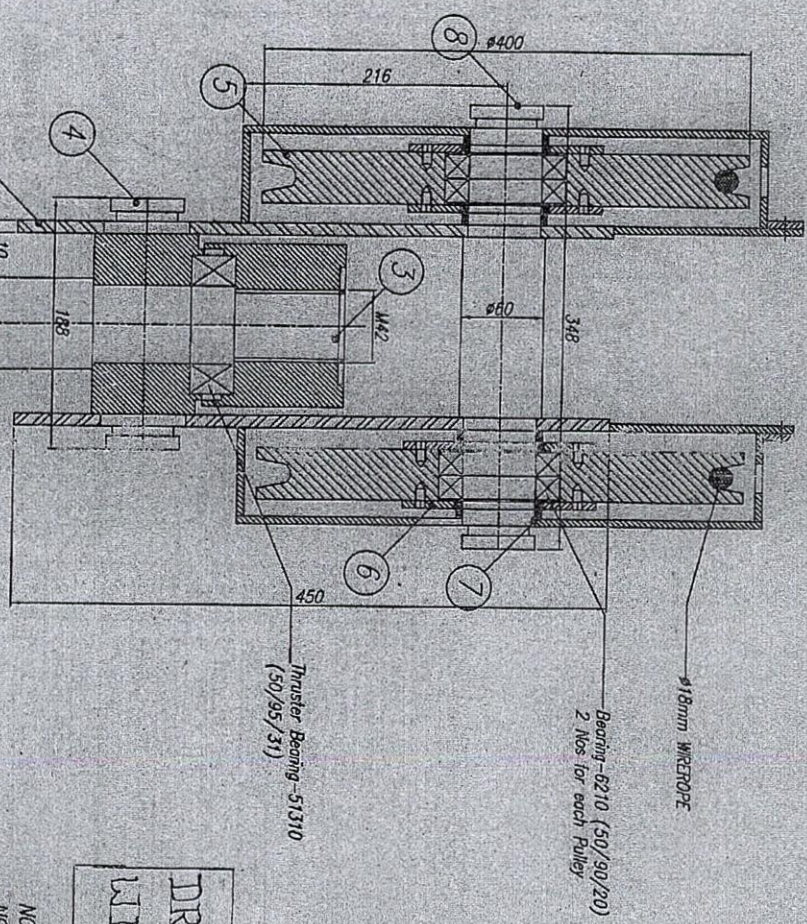
S.No.	QTY.	DESCRIPTION	SIZE	MAT.	DRAWING NO.	CODE NO.	WEIGHT
4	2	PULLEY ASS'LY $\phi 232$					
3	1	LOAD HOOK NUT					
2	1	TRUNION					
1	1	LOAD HOOK					

DRG NO: 4MR_02A_0405
 ROPE SIZE : $\phi 10$ mm.

BOTTOM BLOCK
 3T $\phi 232$ PULLEY

ALL DIMNS. ARE IN mm

BHEL. RAN: P01No.2783508. Dt.19.03.09
 20 T CAP/8.5 Mts LIFT EOT CRANE

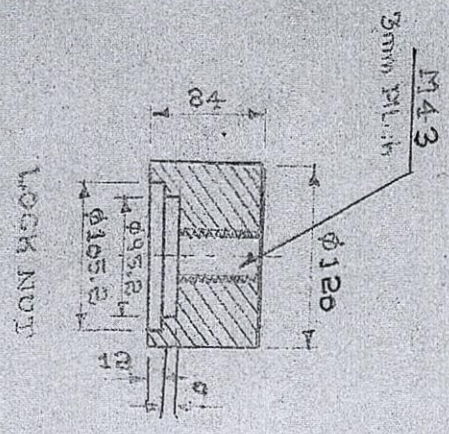
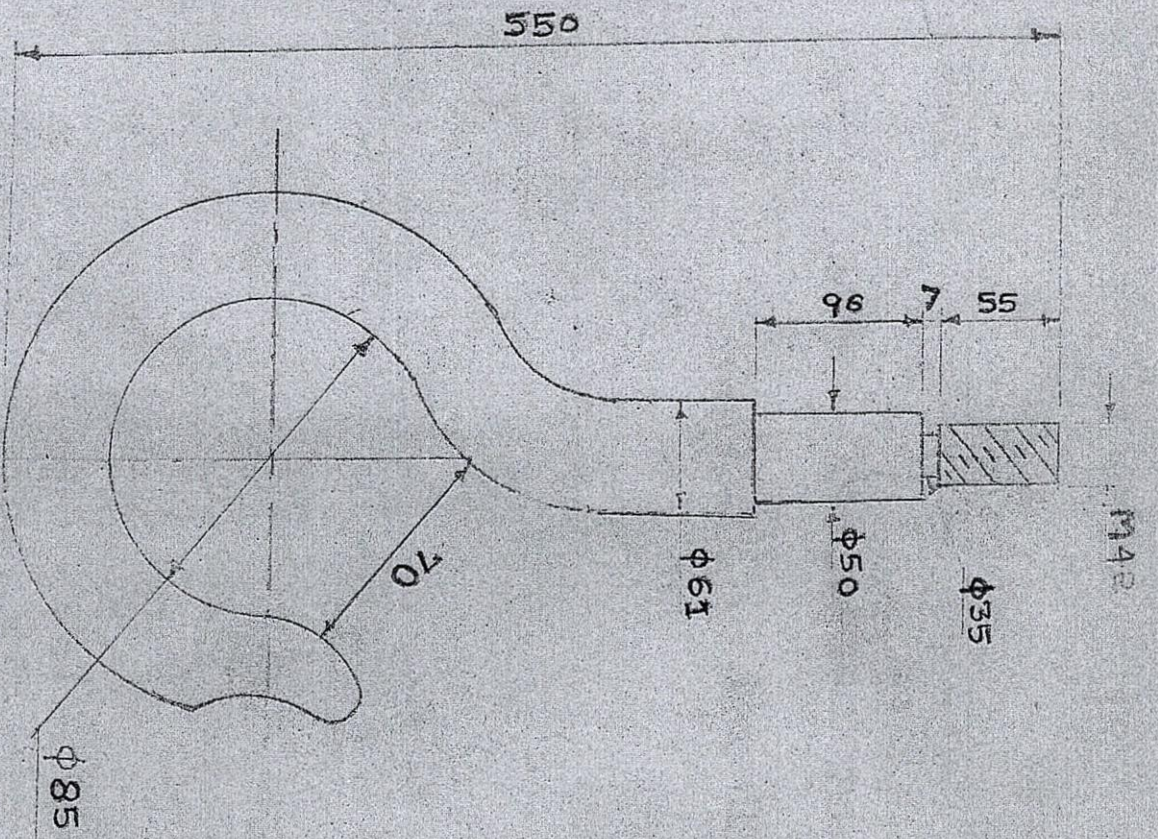


DRG NO : 4MR_02A_0406
 WIRE ROPE : $\phi 18\text{mm}$

NOTE :- 5 TON BOTTOM BLOCK ASSEMBLY IS 4 FALLS
 NOTE :- ALL DIMENSIONS ARE IN MM.

S.No	ITEM DESCRIPTION	SPECIFICATION	MATERIAL	QTY	RM SIZE	REMARKS
01	GENERAL ASSEMBLY DRG			1		
02	HOOK	5 TON CAP-SL-300 mm	SMITH	1		
03	HOOK NUT	$\phi 120 \times 80\text{mm}$	SMITH	1		
04	THROUGN	188L x 125 x 75T mm	MS	1		
05	BB.PULLEY	$\phi 400 \times 4\text{mm}$	MS	2		
06	BB.PULLEY COVER PLATE	$\phi 140 \times 8\text{mm}$	MS	4		
07	BB.PULLEY SPACER	00850 x 0050 x 11.5mm	MS	1		
08	BB.SHAFT	$\phi 50 \times 348\text{mm}$	MS	1		
09	VERTICAL PLATE	450 x 180 x 10mm	MS	2		
10	BB.PULLEY BEARINGS	6210 (50/90/20)	ZKL	4		
11	THRUSTER BEARINGS	51310 (50/95/31)	ZKL	1		

BOTTOM BLOCK ASSEMBLY
5 TON FOR 20/5 TON EOT



PART NAME: 5TON CAP. SL. 300MM

ALL DIMENSIONS ARE IN MM

DRG NO: 4MR_02A_0416