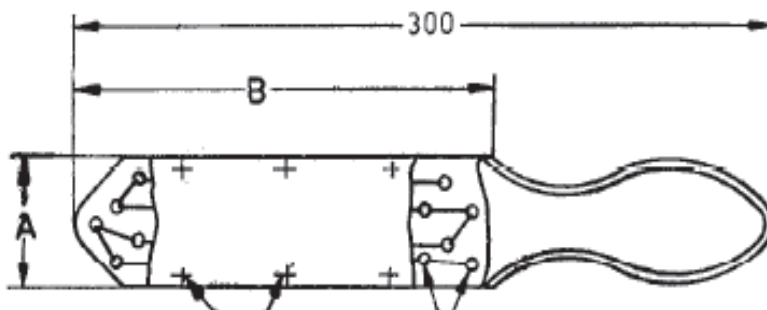


BHEL: BAP : RANIPET WELDING TECHNOLOGY CENTRE

Specification for SS Wire Brush: Wooden Handle

Length	: 300 mm	No of Holes: 55 min
Width	A: 25 mm	No of Rows : 3
Brush Head B	: 160 mm	Thickness of timber : 15 mm min
Height of wire	: 35 mm min	



Each hole should have 16 to 20 no's of wires.

Wire should be Stainless Steel SS 304 with 0.3 to 0.4 mm in diameter.

Timber shall be straight grained & well seasoned to moisture content not exceeding 15 %.

Timber shall be free from brashness, any kind of decay rot, insect attack, cracks, warp and any other defects which may reduce the life of brush or affect its utility.

Wooden portion shall be finished smooth & coated with Zinc Naphthenate.

Balamurugan.N

Dy.Mgr /WTC