

FIRST ANGLE PROJECTION

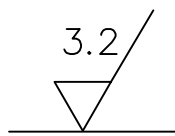
(ALL DIMENSIONS ARE IN mm)

DRG. NO. 3-301-02-00030

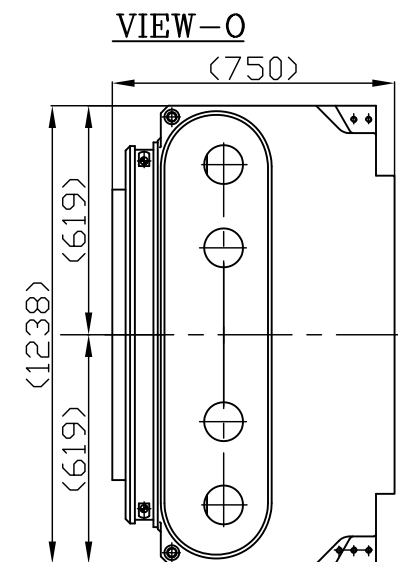
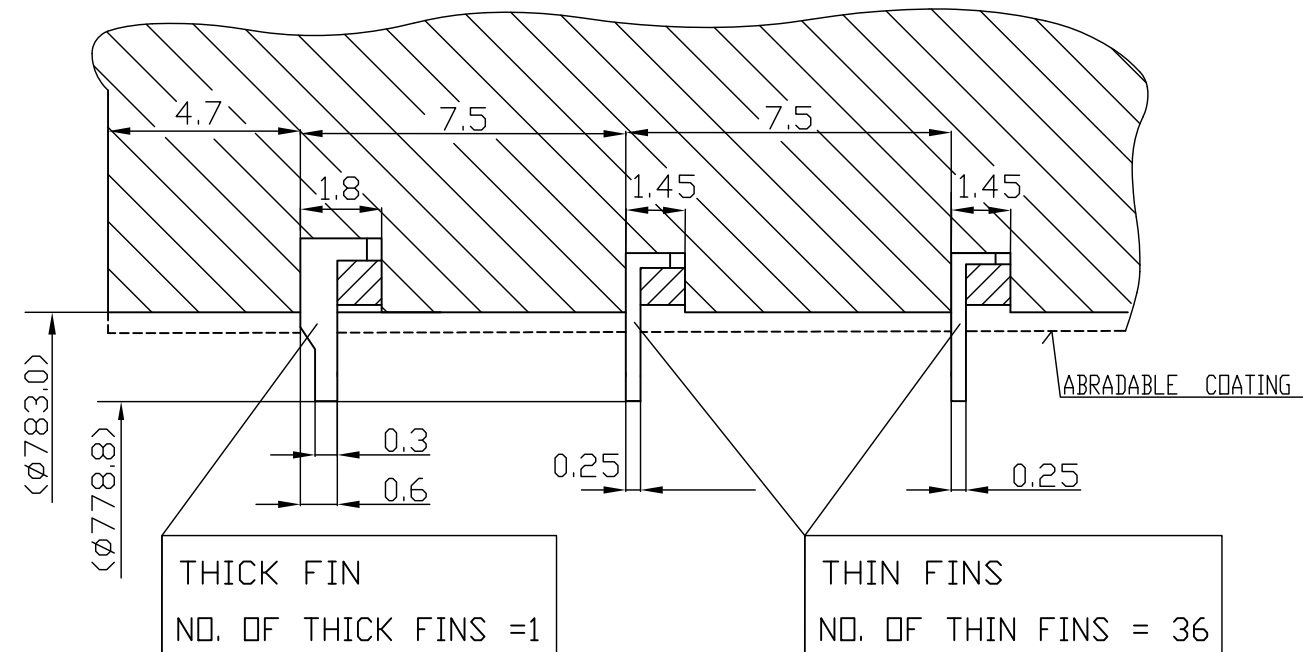
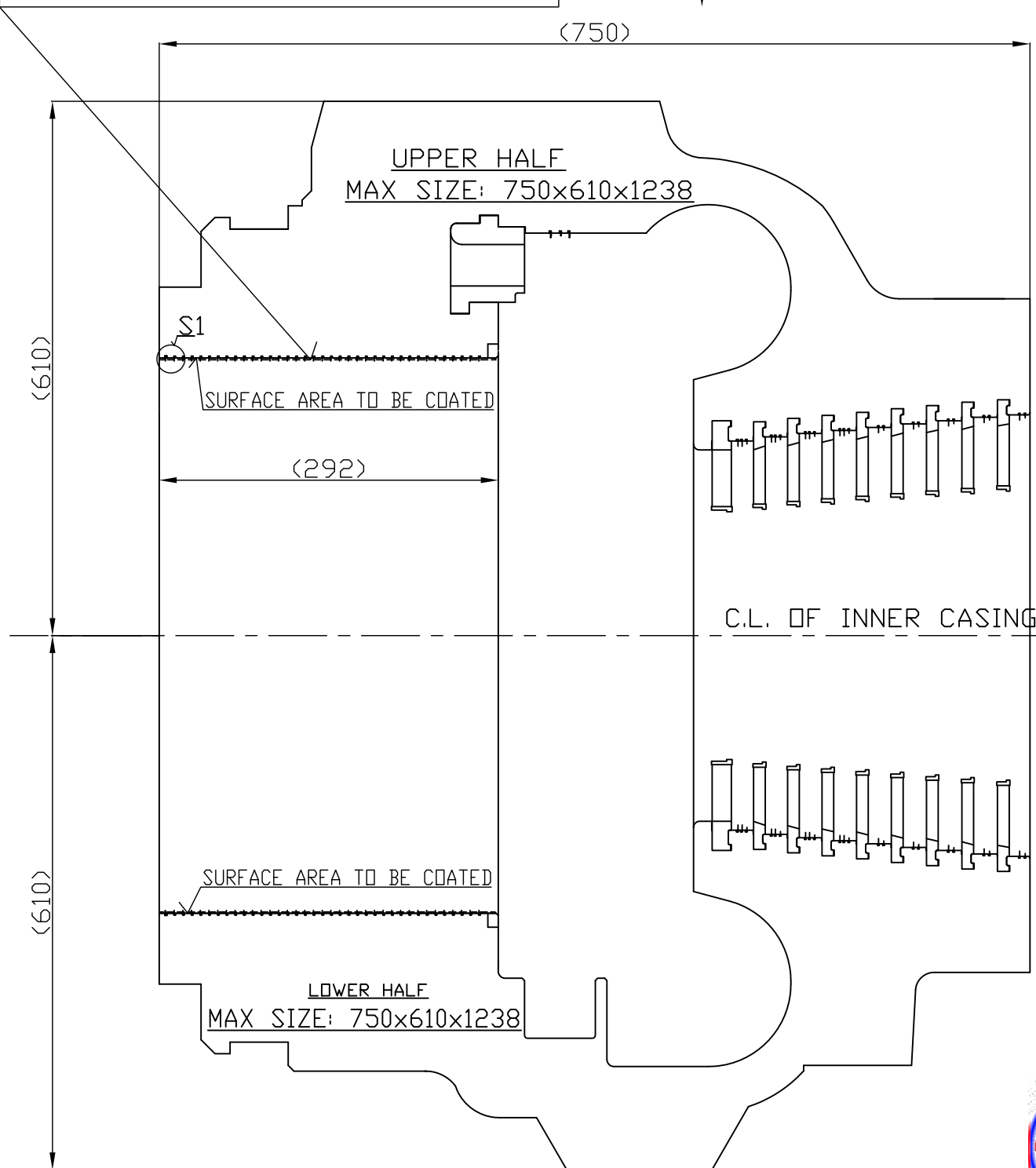
SH. 01 OF 01

DETAIL-S1  
(SEALING FIN DETAILS)

3.2



THICKNESS OF COATING = 0,6 ±0.1 mm  
COATING SPEC.: TC41002-00



-00  
VAR

TYPE OF PRODUCT OR NAME OF CUSTOMER/PROJECT

BHARAT HEAVY ELECTRICALS LTD. HYDERABAD	NAME	SIGN.	DATE	NO. OF VAR.
	DRN. A HEMASUNDAR		13.06.2020	
	CHD. K THIRMURTHULU		13.06.2020	-N.A.-
APPD. TS PRABHAKAR		13.06.2020		

DEPT. I.T.D. CODE 415	UNTOL. DIMS. GR. C/M/F	SCALE -N.A.-	WEIGHT (KG) NA	REF. TO ASSY. DRG. -N.A.-	ITEM NO. -N.A.-	NO. OF ITEMS -N.A.-
-----------------------	------------------------	--------------	----------------	---------------------------	-----------------	---------------------

TITLE **ABRADABLE COATING FOR INNER CASING**

CARD CODE N.A.

DRAWING NO. **3-301-02-00030**

REV. **00**

SHT. No 01 NO. OF SHT. 01

SIGN. AND DATE REF. DRG. NO. COMPUTER FILE NAME THE INFORMATION ON THIS DOCUMENT IS THE PROPERTY OF BHARAT HEAVY ELECTRICALS LIMITED. IT MUST NOT BE USED DIRECTLY OR INDIRECTLY IN ANY WAY DETRIMENTAL TO THE INTEREST OF THE COMPANY

REV.	DATE	ALTERED	REV.	DATE	ALTERED	REV.	DATE	ALTERED
ZONE		CHD/APPD	ZONE		CHD/APPD	ZONE		CHD/APPD