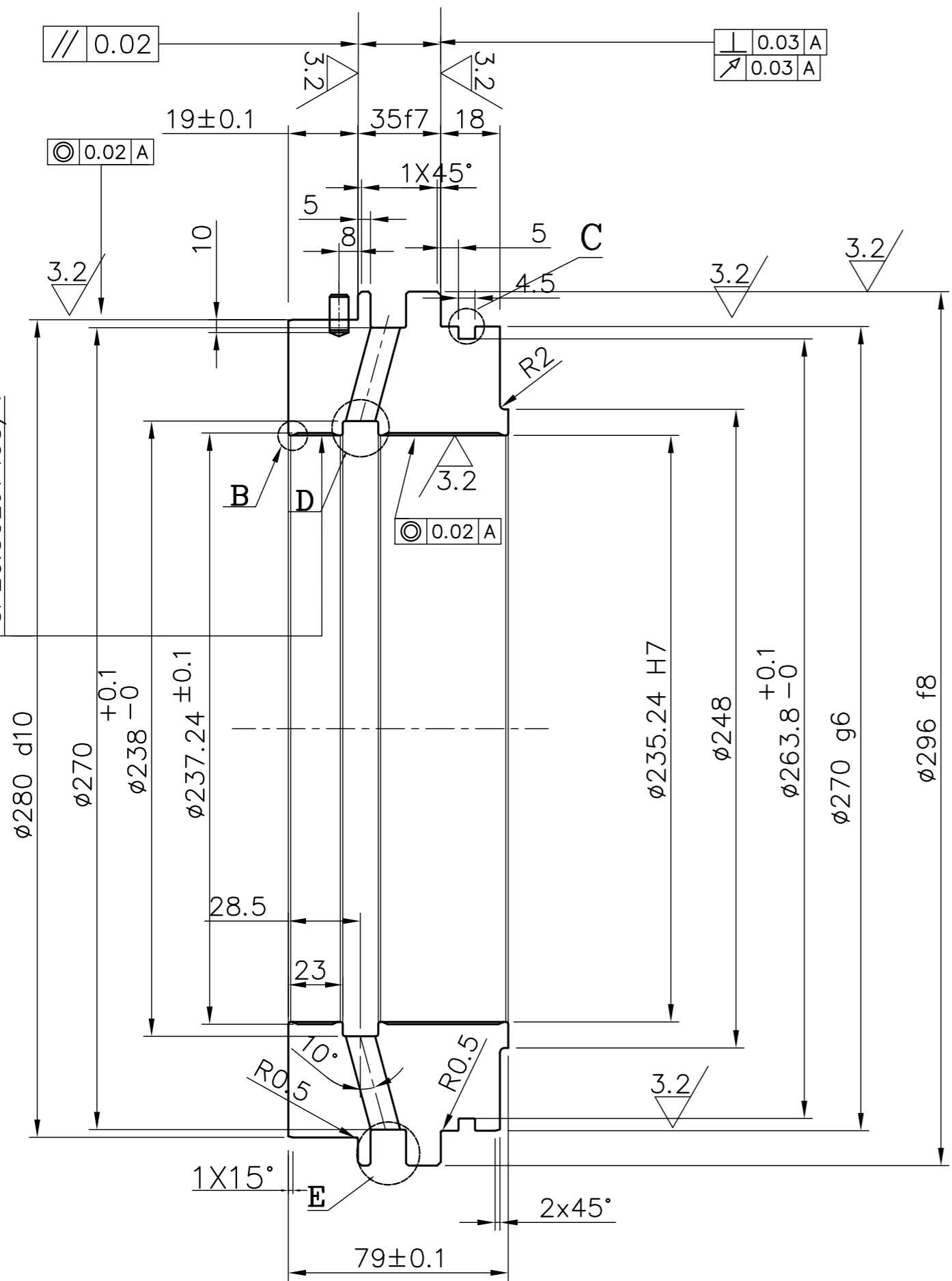


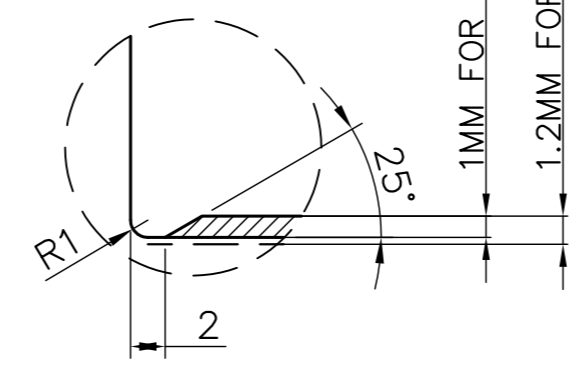
INVENTORY NO. SIGN. AND DATE REF. DRG. NO. COMPUTER FILE NAME THE INFORMATION ON THIS DOCUMENT IS THE PROPERTY OF BHARAT HEAVY ELECTRICALS LIMITED. IT MUST NOT BE USED DIRECTLY OR INDIRECTLY IN ANY WAY DETRIMENTAL TO THE INTEREST OF THE COMPANY

GENERAL DIMENSIONAL LIMITS, FITS & TOLERANCES AS PER HY0230261

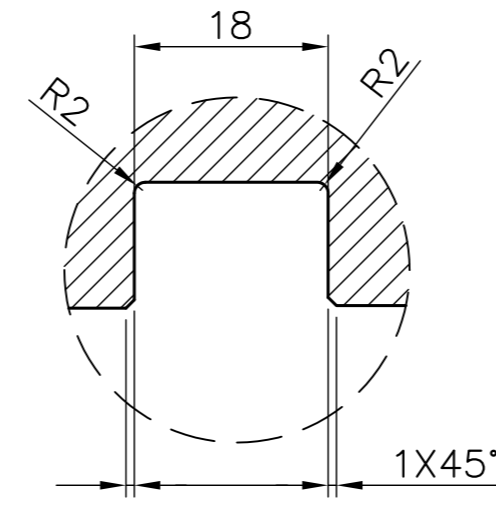
REPORT OF MATERIAL
ABRADABLE METCO 601
SPEC.SOE97438/4



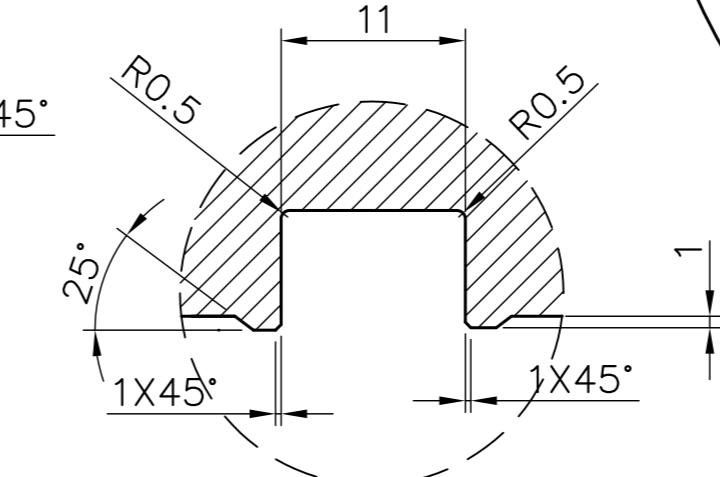
SECTION A-A



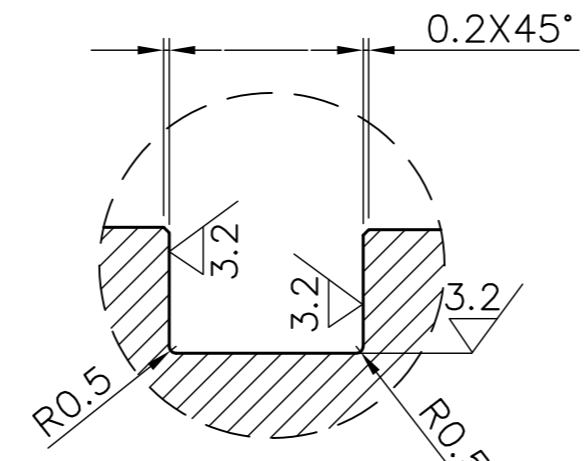
DETAIL B



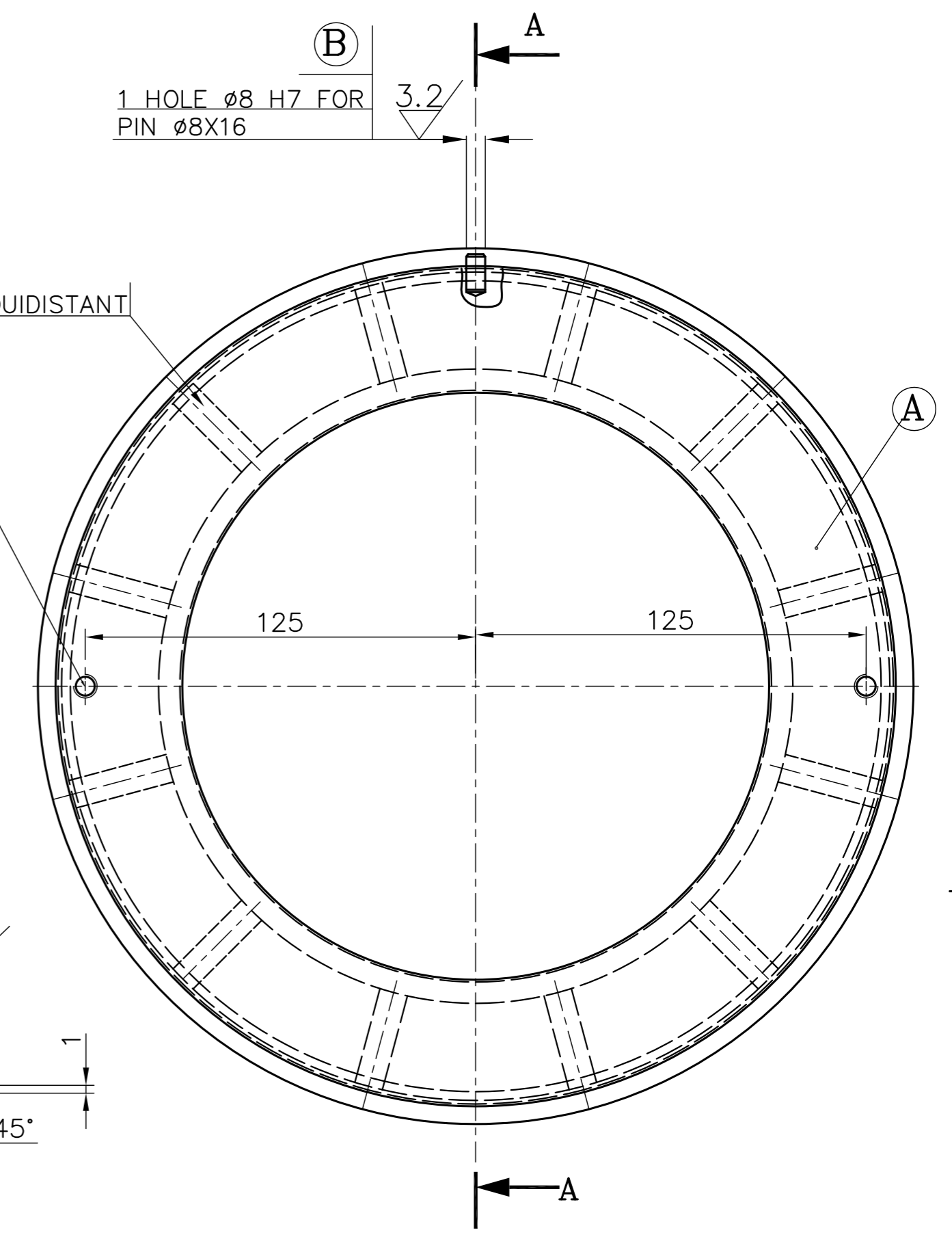
DETAIL E



DETAIL D



DETAIL C



NOTE

- FORGED LAB SEAL MATL: X12CR13
- MATL HARDNESS HB: 200 MAX

TYPE OF PRODUCT OR NAME OF CUSTOMER/PROJECT



DRN.	SUGUNA	SIGN.		DATE	20.01.22	NO. OF VAR.
CHD.	NEMA				20.01.22	
APPD.	YVRL				20.01.22	

DEPT. COMPR	UNTOL. DIMS. GR.	SCALE	WEIGHT (KG)	REF. TO ASSY. DRG.	ITEM NO.	NO. OF ITEMS
420	G/M/F	NTS	10	-N.A.-	-N.A.-	-N.A.-

TITLE	CARD CODE	DRAWING NO.	REV.
LAB SEAL ON BALANCE DRUM (ABRADABLE)	N.A.	2-331-24-00274	00
		SHT. No 01	NO. OF SHT. 01