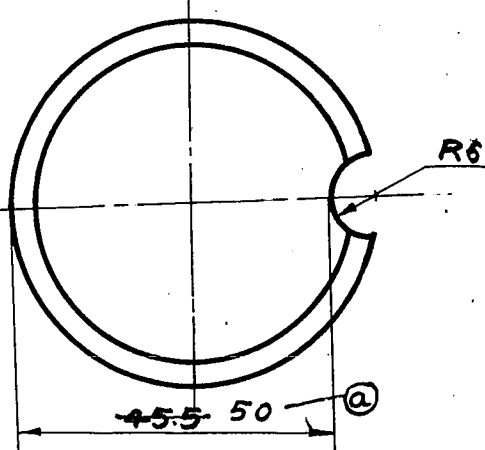
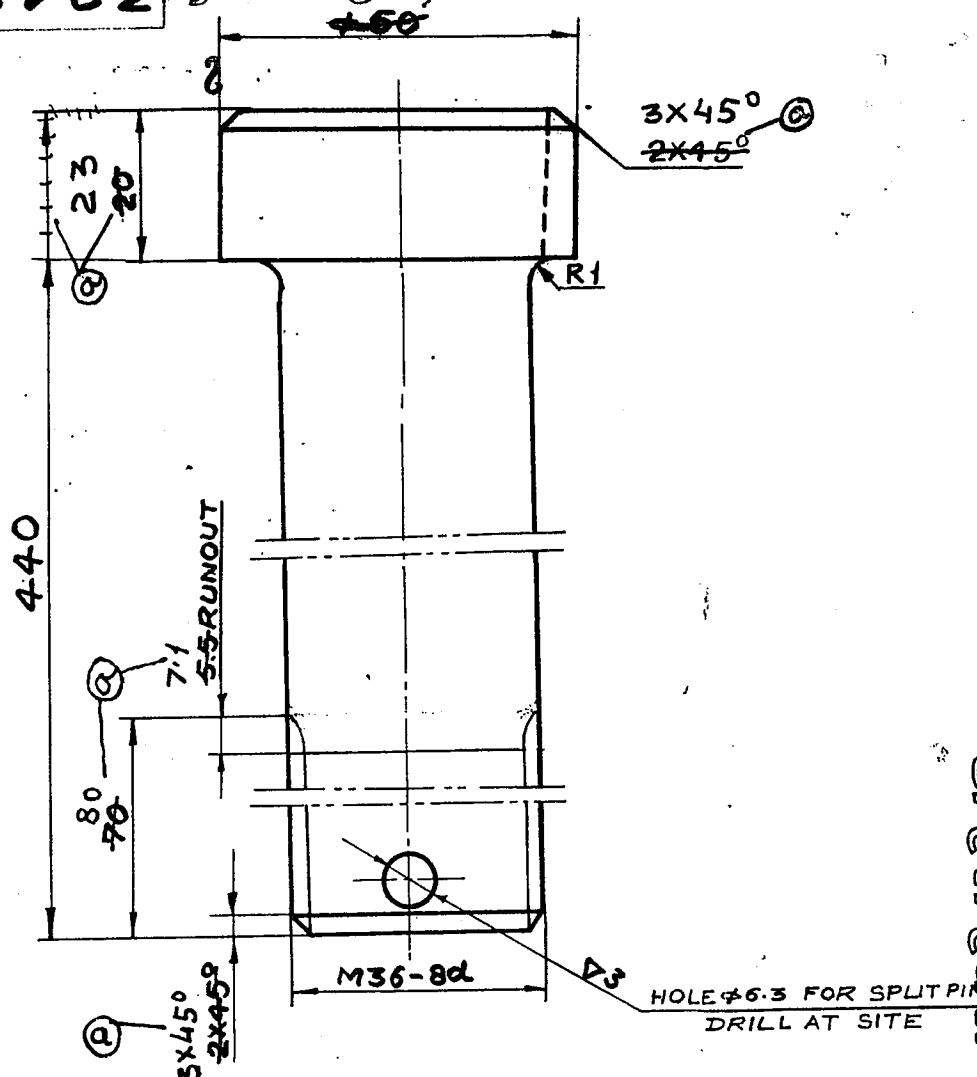


32425012



| | | | | | |
|---------------|---------------|----------------------------|---------------|----------------------|-------------------------------|
| INVENTORY NO. | SIGN AND DATE | SUPERVISOR'S INVENTORY NO. | SIGN AND DATE | U.S.S.R. DRAWING NO. | U.S.S.R. P.E.R.SP. (ASSEMBLY) |
| S1-7074 | 14.3.72 | | | A-1179229 | 118309 |

| | | | | |
|-------------|-------------|-----------|------|---------|
| CHG. NO. | NO. | DOCU. NO. | SIGN | DATE |
| WORKED BY | P. SINGH | | | 10.2.72 |
| CHECKED BY | P. SINGH | | | 10.2.72 |
| SUPERVISOR | | | | |
| TECH. CONT. | J. LAL | | | 15.2.72 |
| STD. CONT. | M. SINGH | | | 16.8.72 |
| APPROVED | J. N. KARAN | | | 13.3.72 |

C-200-130
SPECIAL BOLT
M36X440
 STEEL
 C40 IS: 2073-62
 45

| | | |
|------------|-------------|-------|
| 32425000SP | | |
| 32425012 | | |
| LETTER | WEIGHT | SCALE |
| B | 2.7 | 1:1 |
| SHEET | TOTAL SHEET | |
| NEEP | STD | |

DRAWN BY R. RAJPUT

MASTER COPY

32425012