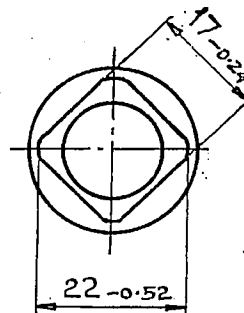
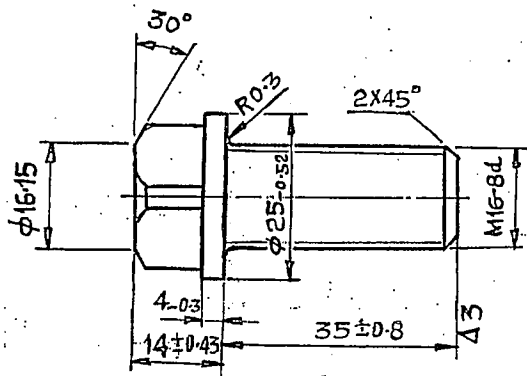


32425011

▽ 4 THE REST



HW. 172.336

MASTER COPY

INVENTORY NO.	51-7073	DATE	10/27/59	SUPPLEMENTARY INVENTORY NO.		DUPLICATE INVENTORY NO.		DATE		U.S.S.R. DRAWING NO.	H 42-59	U.S.S.R. S.P. (ASSEMBLY)	
---------------	---------	------	----------	-----------------------------	--	-------------------------	--	------	--	----------------------	---------	--------------------------	--

CRD	NO.	REV. NO.	SIGN	DATE
DESIGNED BY				
CHECKED BY				
APPROVED				
DATE				
BY				
DATE				
BY				
DATE				

C - 200 - 130

BOLT M16x35

STEEL
C 40 15; 2073-62

45 GOST 1050-60

3242500sp		
32425011		
LETTER	WEIGHT	SCALE
- B	0.109	1:1
SHEET 1	TOTAL SHEETS 1	
STEEL	STD	