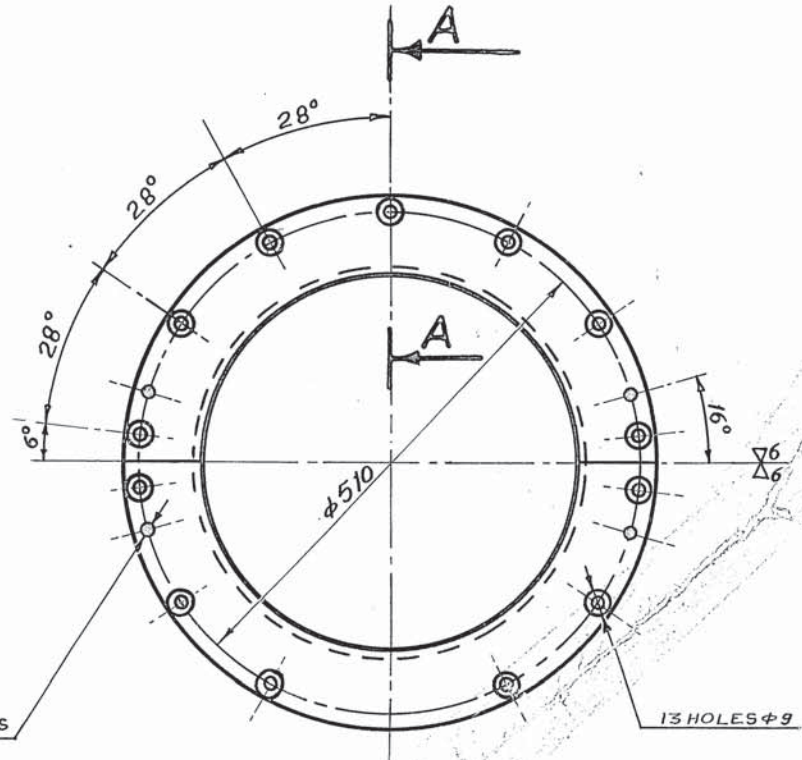
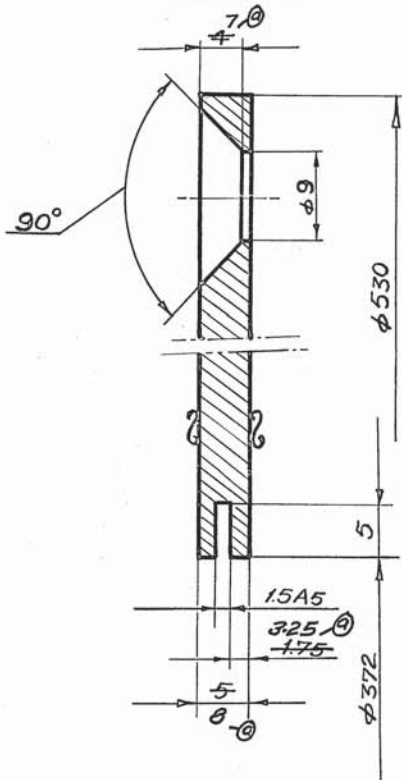


32406011

**SECTION A-A**

SCALE 2:1



INVENTORY NO	SI-7544
SIGN AND DATE	6/8 22. 11. 72
SUPERSEDED INVENTORY NO	
DUPPLICATE INVENTORY NO	
SIGN AND DATE	
DRAWING NO. (ISSUE)	F-1229227
GROUP NO. (CLASSIFICATION)	118304



				C-200-130		32406000SP	
0	3	5A-70-33	24279	OIL-GUARD RING (IN TWO HALVES)		32406011	
CHD	HDS.	DOCUMENT NO.	QTY	DATE	LETTER	WEIGHT	SCALE
WORKED	P. SINGH	25.3.72			B	6.3	1:5
CHECKED	P. SINGH	25.3.72					
SUPERVISED							
TECH CONTROL	J. LAL	25.3.72			SHEET	TOTAL SHEETS	
STD CONTROL	M. P. SINGH	17.4.72			1	1	
APPROVED	R. J. N. ARAN	28/4/72			MCT 3 / OCT 500-58		ST