

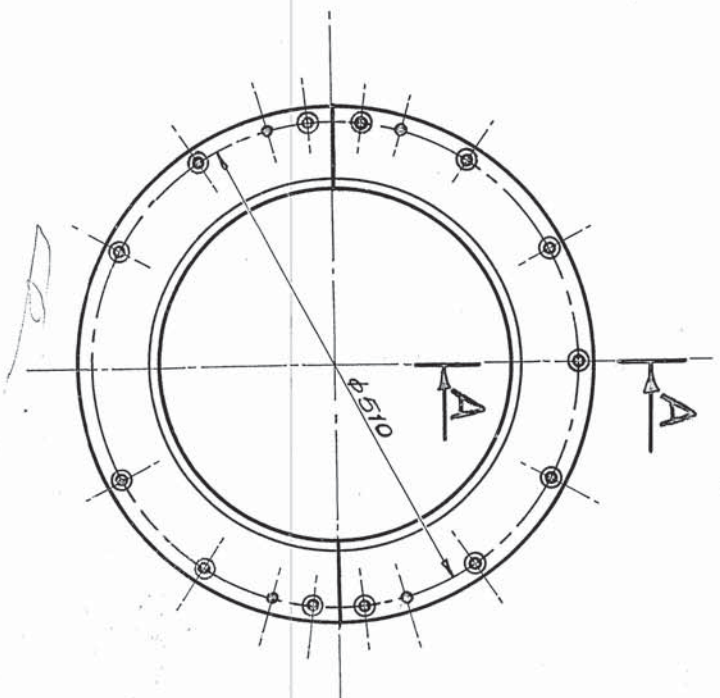
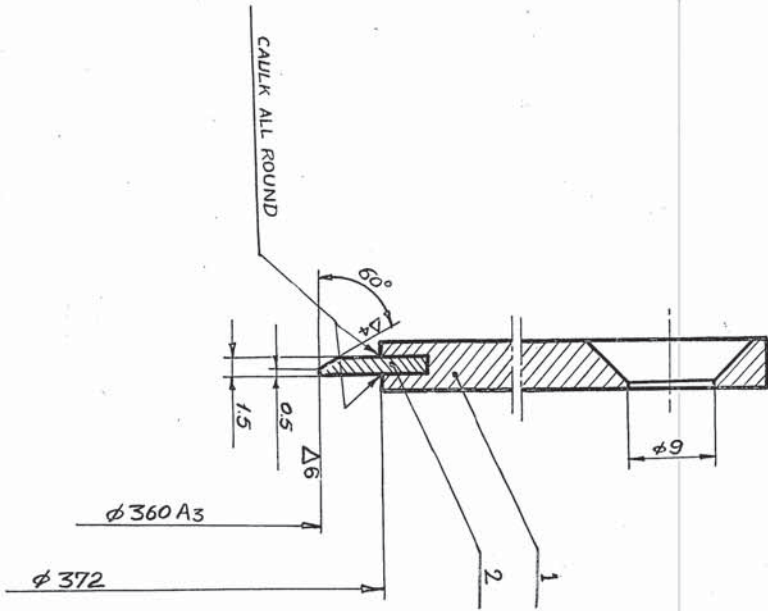
32406010

FIRST ANGLE PROJECTION

FORM 01.01

SECTION A-A

SCALE 2:1



INVENTORY NO	SIGN AND DATE	SUPERSEDED INVENTORY NO	DUPLICATE INVENTORY NO	SIGN AND DATE	DRAWING NO. (USSA)	GROUP SP. (ASSEMBLY)
SI-7343	22.9.72				F-1229226	118304

ITEM NO.	DRG NO.	DESCRIPTION	QTY	PER ITEM	TOTAL WEIGHT IN KG	MATERIAL	REMARKS
2	PH 359-57	SEALING STRIP	6	0.025	0.15	BRASS B5.6315.410-58	
1	32406011 1229227	OIL-GUARD RING (IN TWO HALVES)	1	10.1	10.1	STEEL S1-W2-5 15-226-62 GM 3.6051535-58	
C-200-130							
OIL-GUARD RING (IN TWO HALVES)							
32406010							
32406000SP							
UTILITA							
B							
6.45							
1:5							
STD							

TRACED DRAWN R.F. RAJPUT

9-20-72