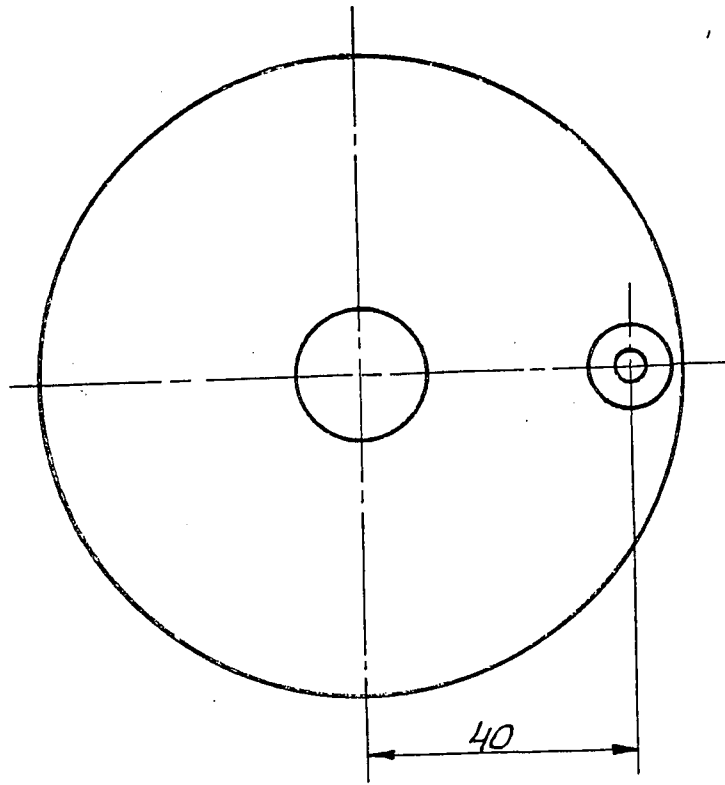
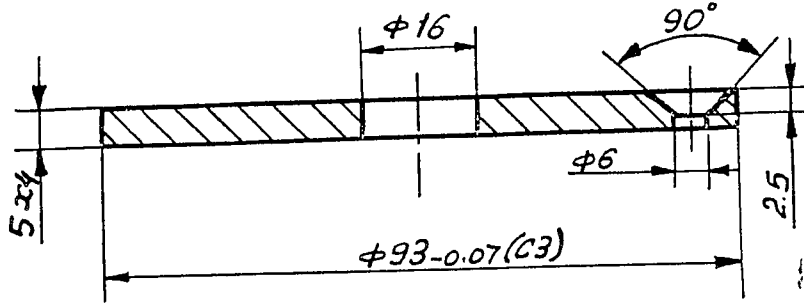


32405002

32405002

74 ALL OVER



MASTER COPY 32405002

GROUP SP. (ASSEMBLY)	118311
DRAWING NO. (USSR)	A-1179237
SIGN AND DATE	
DUPLICATE INVENTORY NO	
SUPERSEDED INVENTORY NO	
SIGN AND DATE	27/11/69
INVENTORY NO	4115

C-200-130		32405000 sp.	
ORIFICE PLATE		32405002	
LETTER	WEIGHT	SCALE	
U	0.26	1:1	
SHEET 1	TOTAL SHEETS 1		
KEEP	STD		
TRACED K.S.SHARMA		31-10-69	
SIZE 1:1			

CRG NOS.	DOCUMENT NO.	DATE
WORKED	K.S.SHARMA	31-10-69
CHECKED	R.K.SINGAL	31-10-69
SUPERVISED		
TECH CONTROL	T.S.Manchanda	5.11.69
STD CONTROL	R.P.SINGH	19.11.69
APPROVED	J.N.KARAN	20/11/69

32405002

TRACED K.S.SHARMA 31-10-69