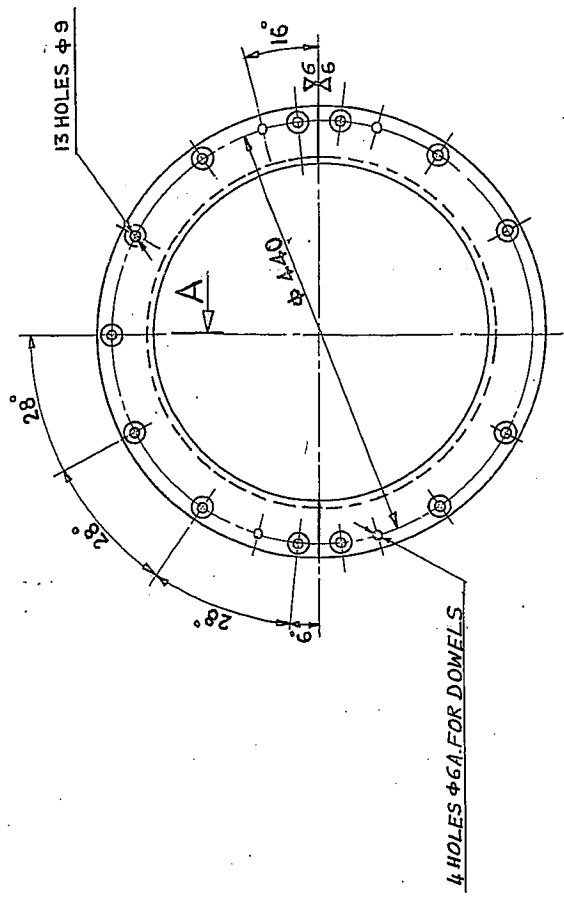


32404051

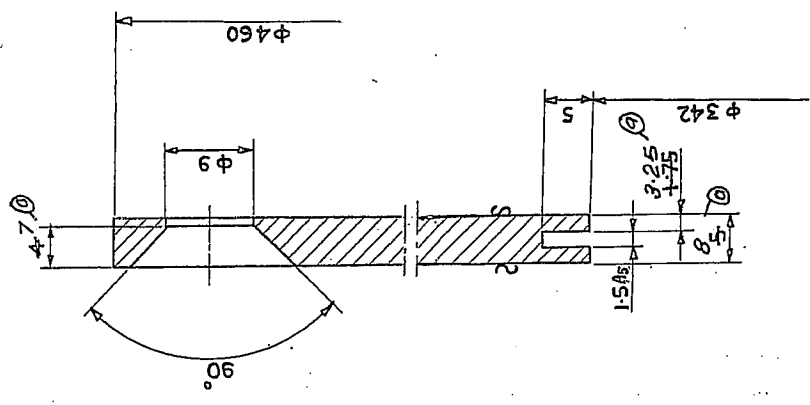
FIRST ANGLE PROJECTION

FORM 111

▽4 THE REST



SECTION A-A
SCALE 2:1



C-200-130		32404000SP	
OIL GUARD RING (IN TWO HALVES)		32404051	
LETTER	WEIGHT	SCALE	
- B	2.92	1:5	
SHEET	TOTAL SHEETS		
HEEP	STD		
STEEL			
St. 12-S IS: 2.26-62			
MCM 3 GOST 500-58			
CHK. NO.	DOCU. NO.	SIGN.	DATE
3	324-23-35	P. SINGH	24-11-72
WORKED BY	CHECKED BY	SUPERVISED	TECH. CONT.
P. SINGH	P. SINGH	Manchanda	RPS
APPROVED	DATE		
MANCHANDA	27		
MANCHANDA	27		
MANCHANDA	27		

SIZE 12

DRAWN/TRACED BY 23-11-72

INVENTORY NO.	81-7554
SIGN AND DATE	27/11/72
SUPERSEDES INVENTORY NO.	
DUPLICATE INVENTORY NO.	
SIGN & DATE	
U. S. S. R. DRAWING NO.	F-1229233
U. S. S. R. (ASSEMBLY)	1183056