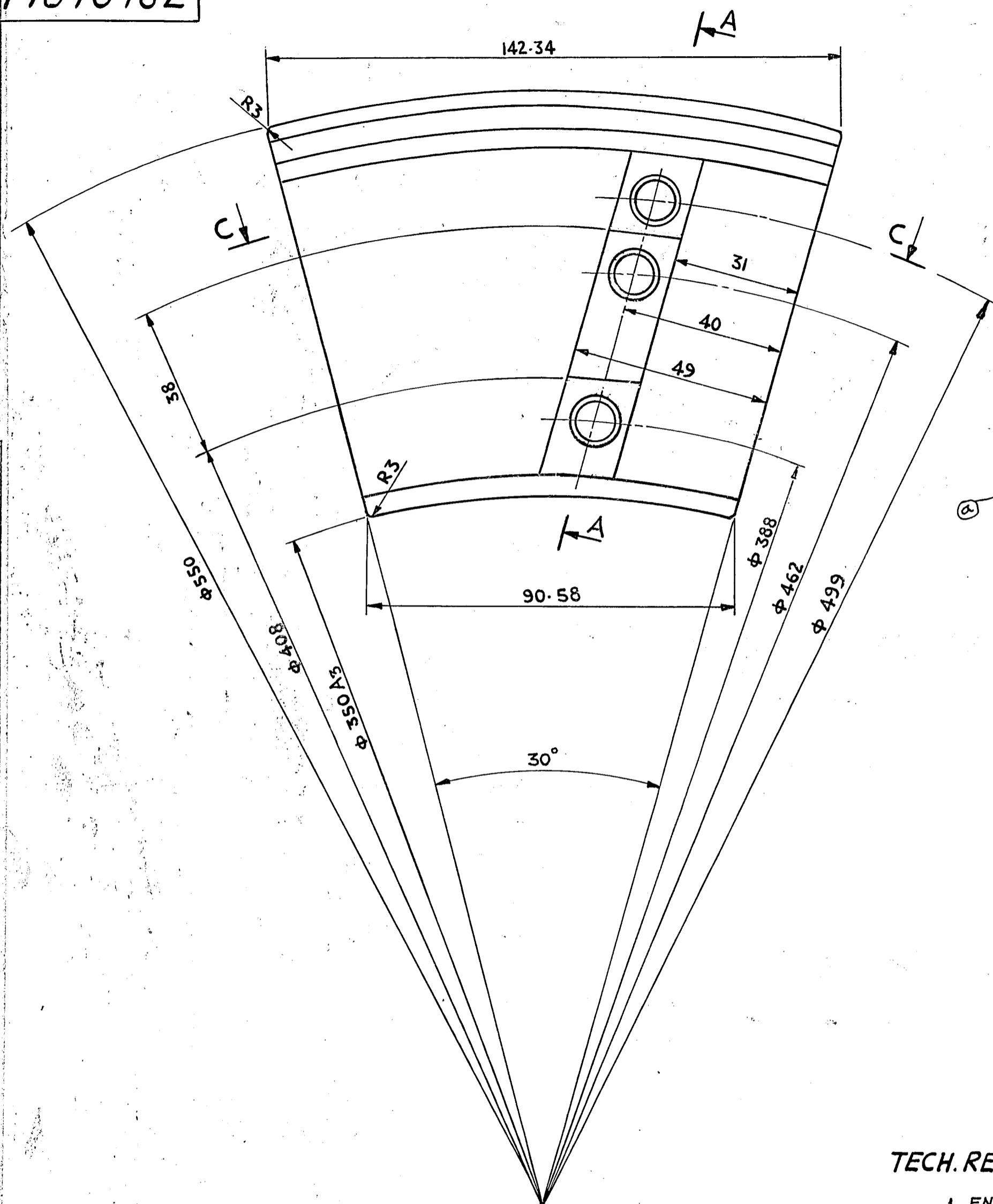
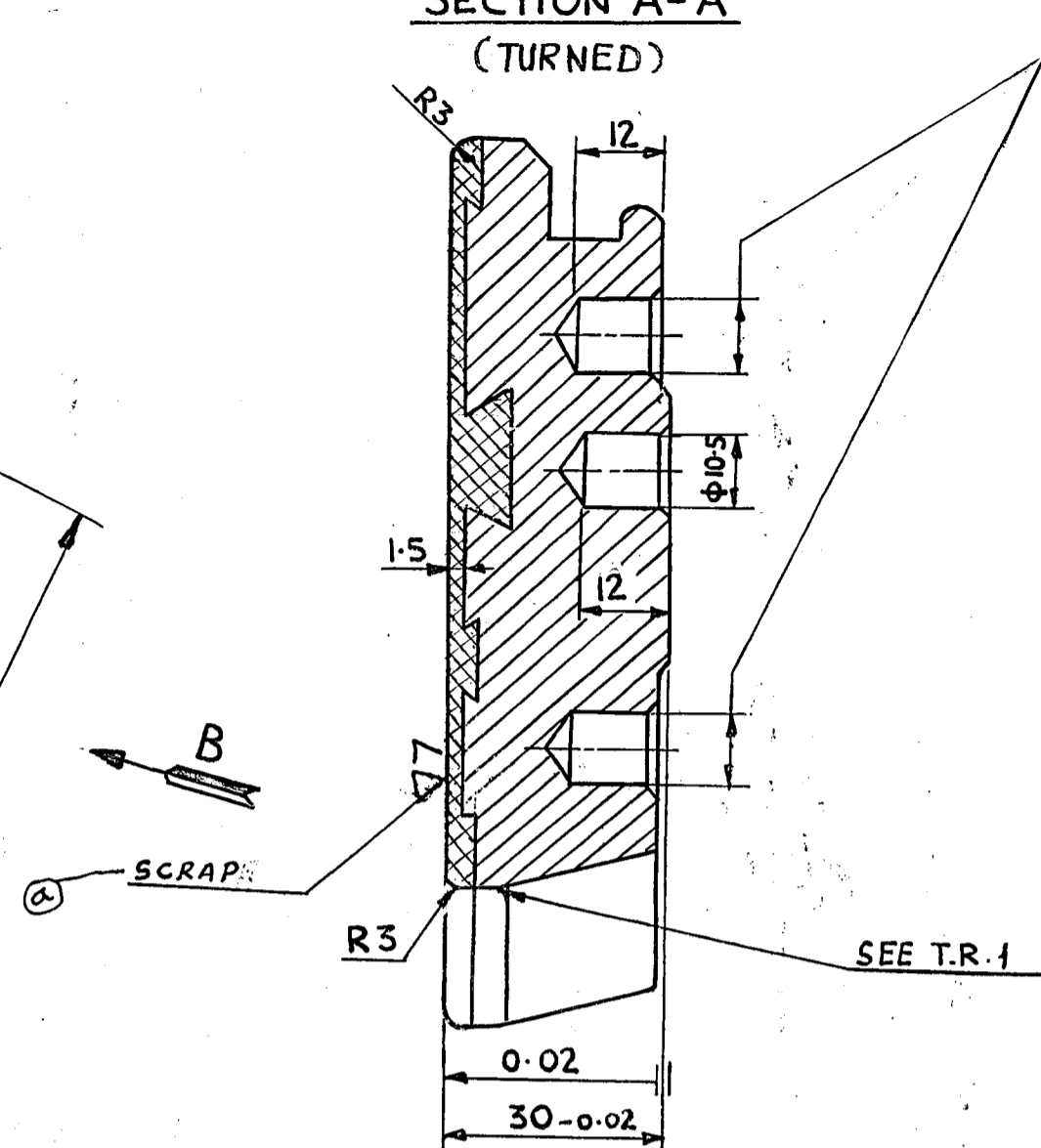


32404041

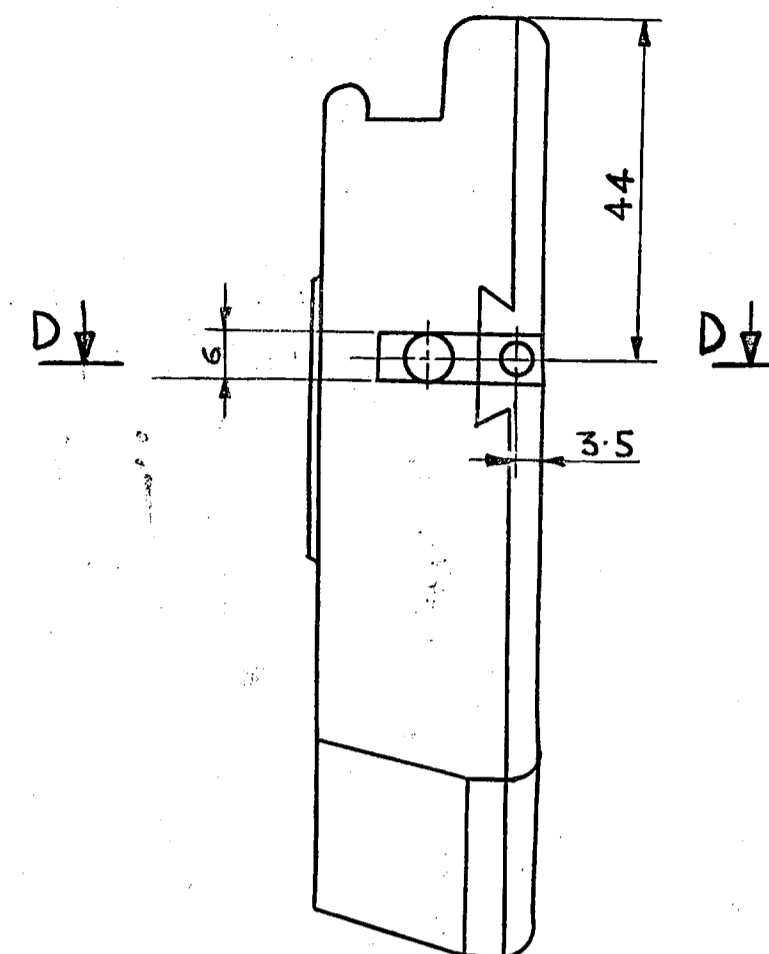
▽4 THE REST



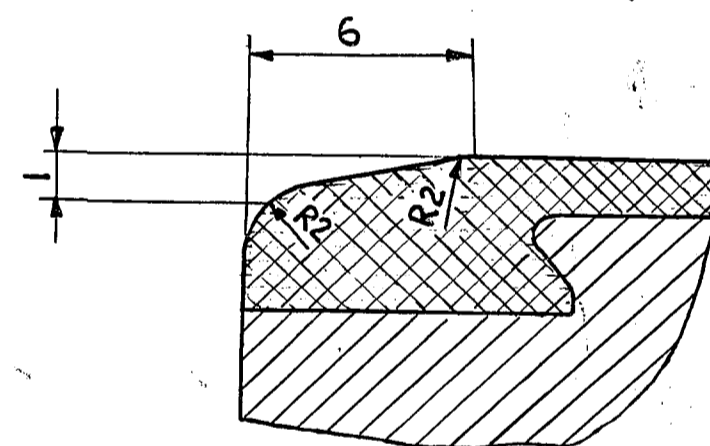
SECTION A-A
(TURNED)



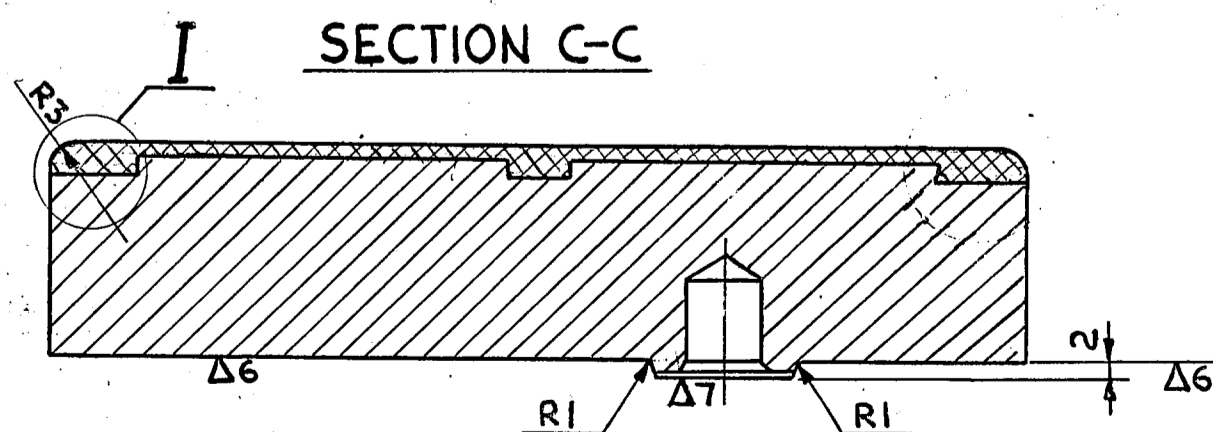
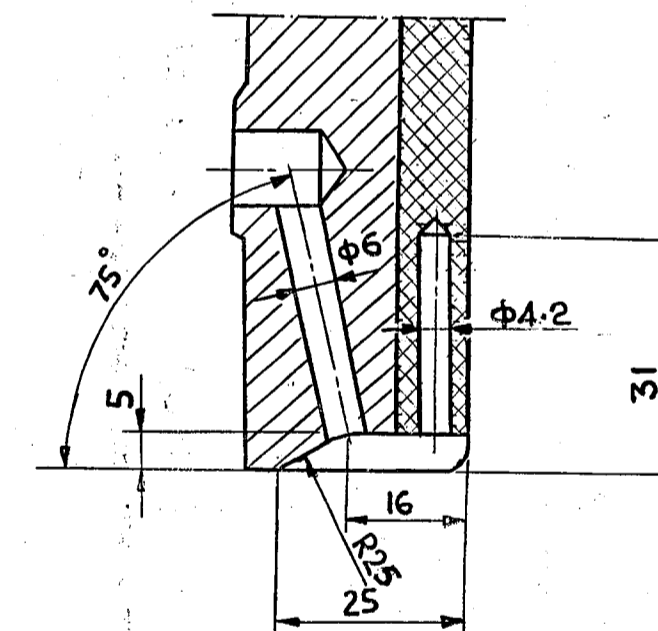
VIEW B
TURNED



I
SCALE 5:1



SECTION D-D



TECH. REQUIREMENTS:-

1. ENGRAVE ON EACH PAD ITS ACTUAL THICKNESS AND SERIAL NUMBER.
2. WEIGHT OF PAD IS SHOWN WITHOUT BABBIT. NET WEIGHT OF BABBIT 0.273 Kg.
3. BLANK FOR SURGE PADS SEE DRG. NO 32404045.
4. 10 SURGE PAD TO BE MADE AS PER DRG. NO. 32404041.

01

				C-200-130	32404000 SP.
				SURGE PAD	32404041
					LETTER WEIGHT SCALE
REV	DATE	ALTERED BY	ANSP	- B	3
01					
				SHEET-I	TOTAL SHEETS
				HEEP	STD
				SIZE 22	

REV	DATE	ALTERED BY	ANSP
01			

TECH. CONT.	MANCHANDA	27.6.74
STD. CONT.	RPS	3/7
APPROVED	J.N. KARAN	4/7/74

BRONZE 5P0 φ 10-1
MTS 7-64