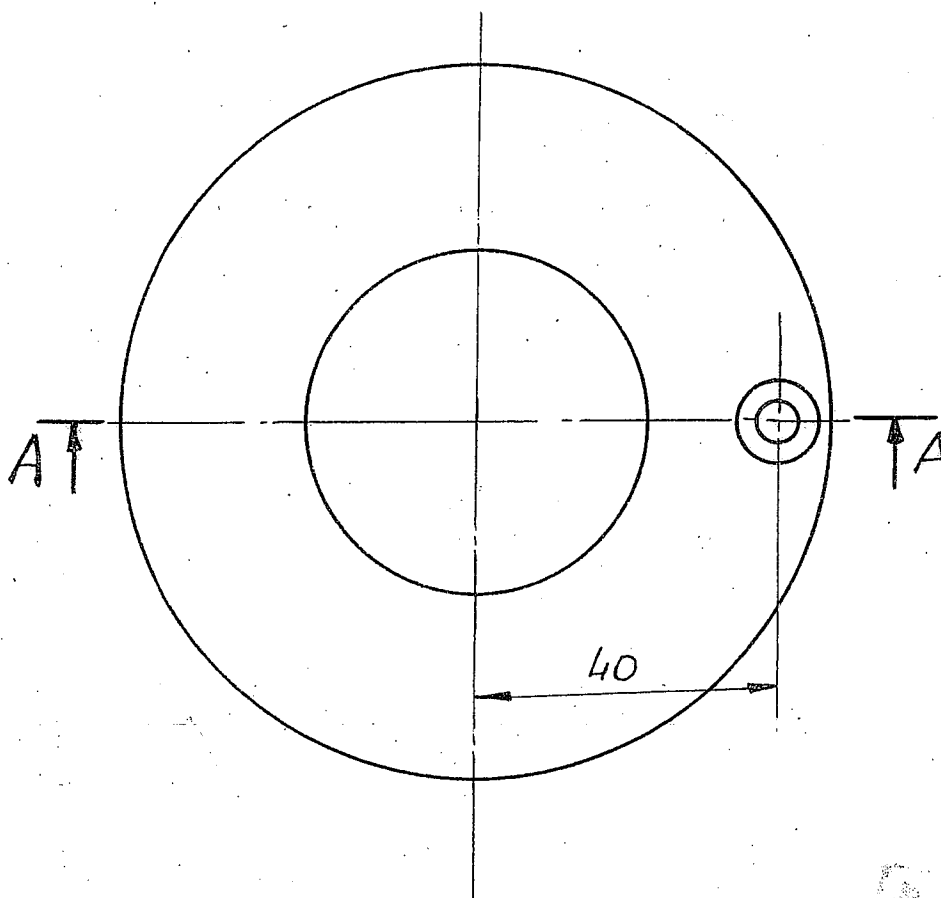
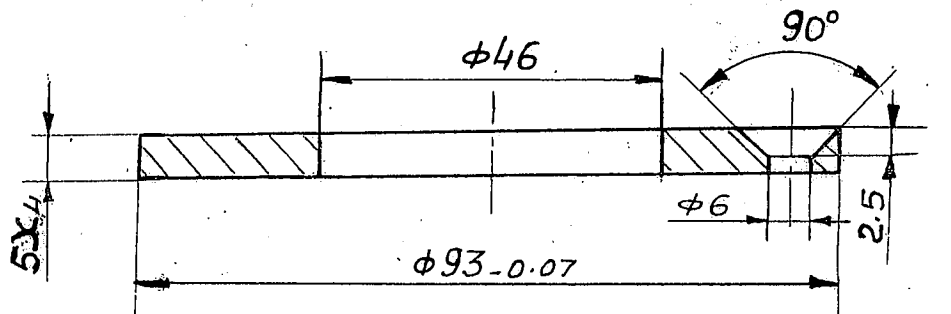


32404007

▽ ALL OVER

SECTION A-A



INVENTORY NO.	SIGN AND DATE	SUPPLIES INVENTORY NO.	DUPLICATE INVENTORY NO.	SIGN AND DATE	U.S.S.R. DRAWING NO.	U.S.S.R. D.D.F. (ASSEMBLY)
51-7540	10/5/72				11529-66	118303-6

CHK	POS.	DESY NO.	SIGN	DATE
✓		D.PARYA	<i>Darya</i>	10.5.72
✓		P.SINGH	<i>Pitamb</i>	10.5.72
✓		Manchanda	<i>Man</i>	16/5
✓		Rps	<i>RPLA</i>	3/7
✓		J.N.KARAN	<i>JN</i>	4/7/72

C-200-130

ORIFICE PLATE
φ46

STEEL
st.42-S 15:226-62

CT.3 GOST 535-58

32404000 SP	
32404007	
LETTER	SCALE
- B	1:1
WEIGHT	TOTAL SHEET
0.189	1
NEEP	STD