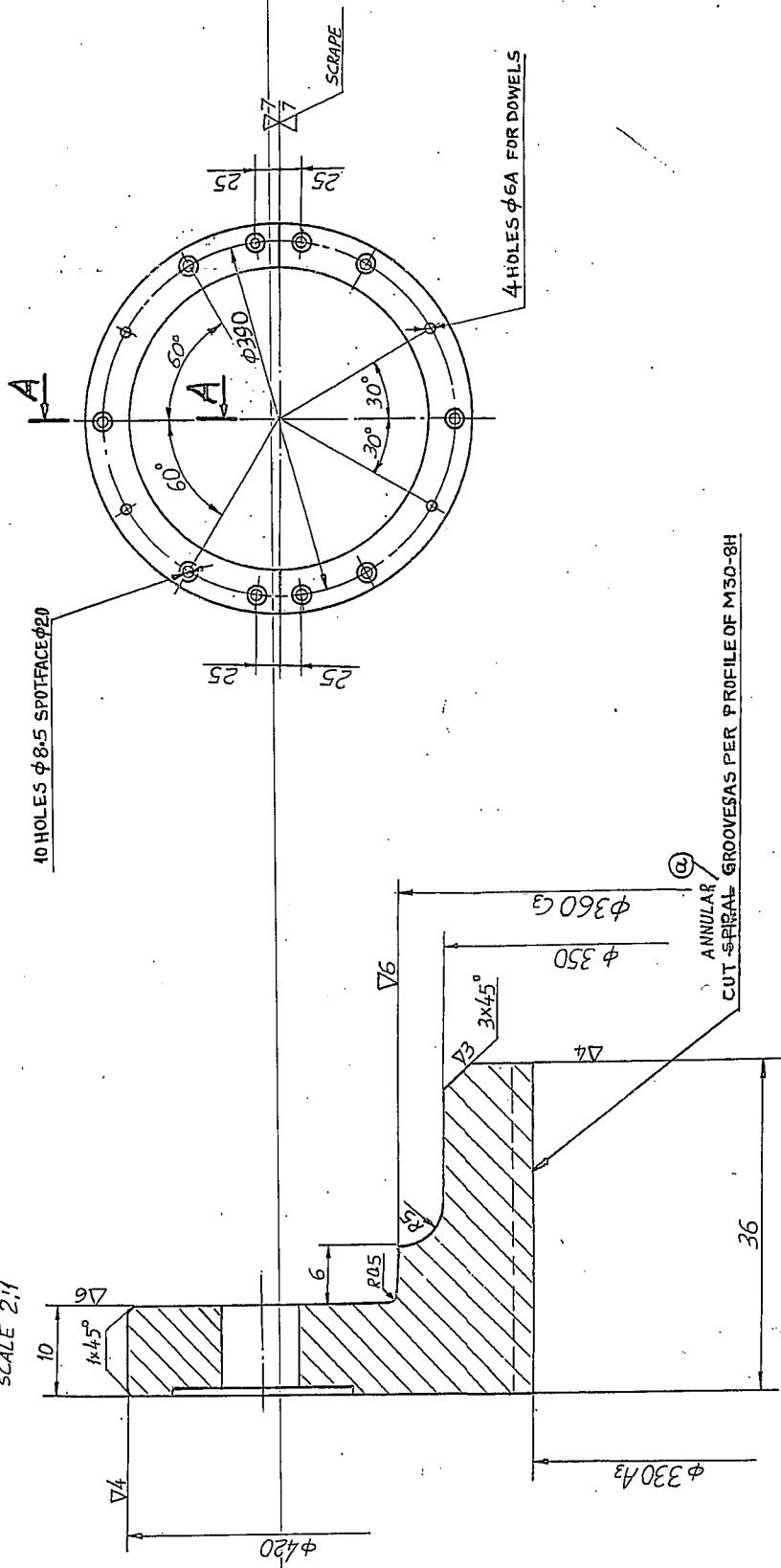


32404003

SECTION A-A
SCALE 2:1



10 HOLES ϕ 8.5 SPOTFACE ϕ 20

4 HOLES ϕ 6A FOR DOWELS

ANNULAR CUT-SPRAL GROOVES PER PROFILE OF M30-8H

C-200-130		32404003	
SEALING RING		LETTER	SHARP
ALUMINIUM		B	1/5
A. 6-M. IS: 617-59		SHEET	TOTAL SHEETS
A/2 GOST 2665-63		1	1
CUMMINS		STD	
TRACED DRAWN		SIZE 12	

Q. 1	STD-76-222	APPROVAL DATE	28/10/71
DESIGNED	P. SINGH	DATE	16/4/71
CHECKED	P. SINGH	DATE	16/4/71
SUPERVISED	P. SINGH	DATE	16/4/71
TEST CONTROL	S.S. MANGRAMPUR	DATE	2/1/71
STD CONTROL	Y.P. KALELA	DATE	16/4/71
APPROVED	JANKARAIN	DATE	15/7/71

MET. SHEET	S.S. CHANLA	NAME	SIGN	DATE
------------	-------------	------	------	------



AA 19950
Gerson/Bhagwat

PREPARED BY	S. S. CHANLA
DATE	2/8/71
OPERATOR	
INVENTORY NO.	
SIGN AND DATE	
DRAWING NO.	F-1232608
COMP. NO. (ASSEMBLY)	1/183035