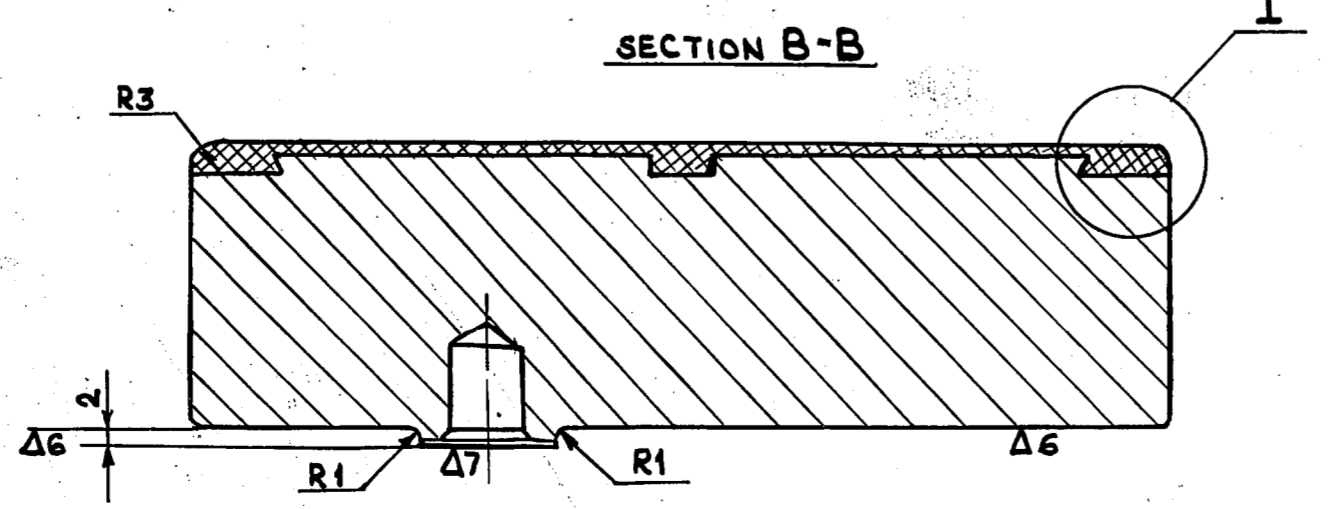
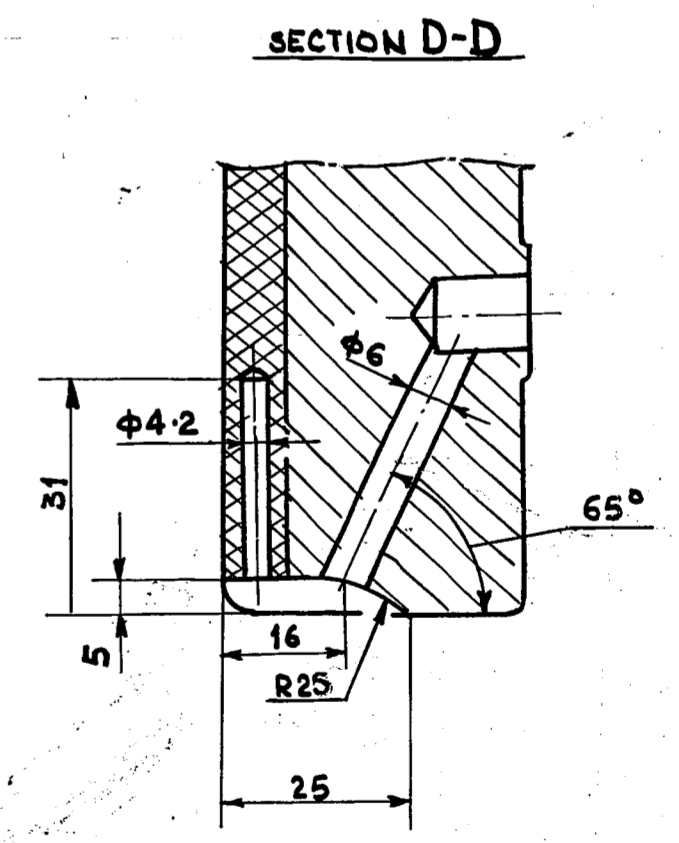
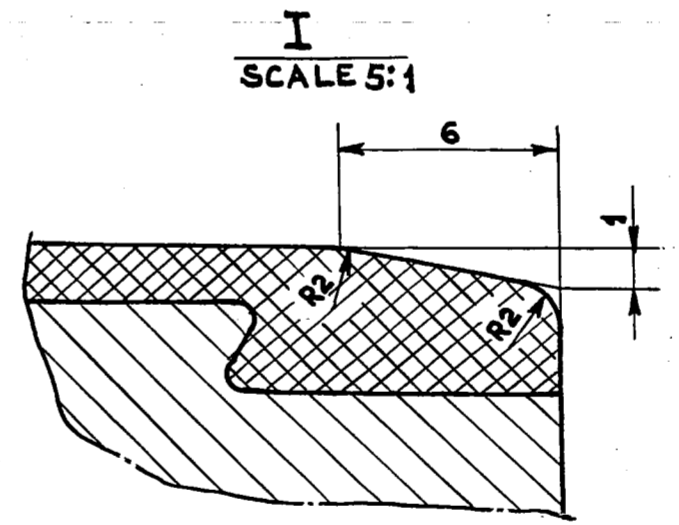
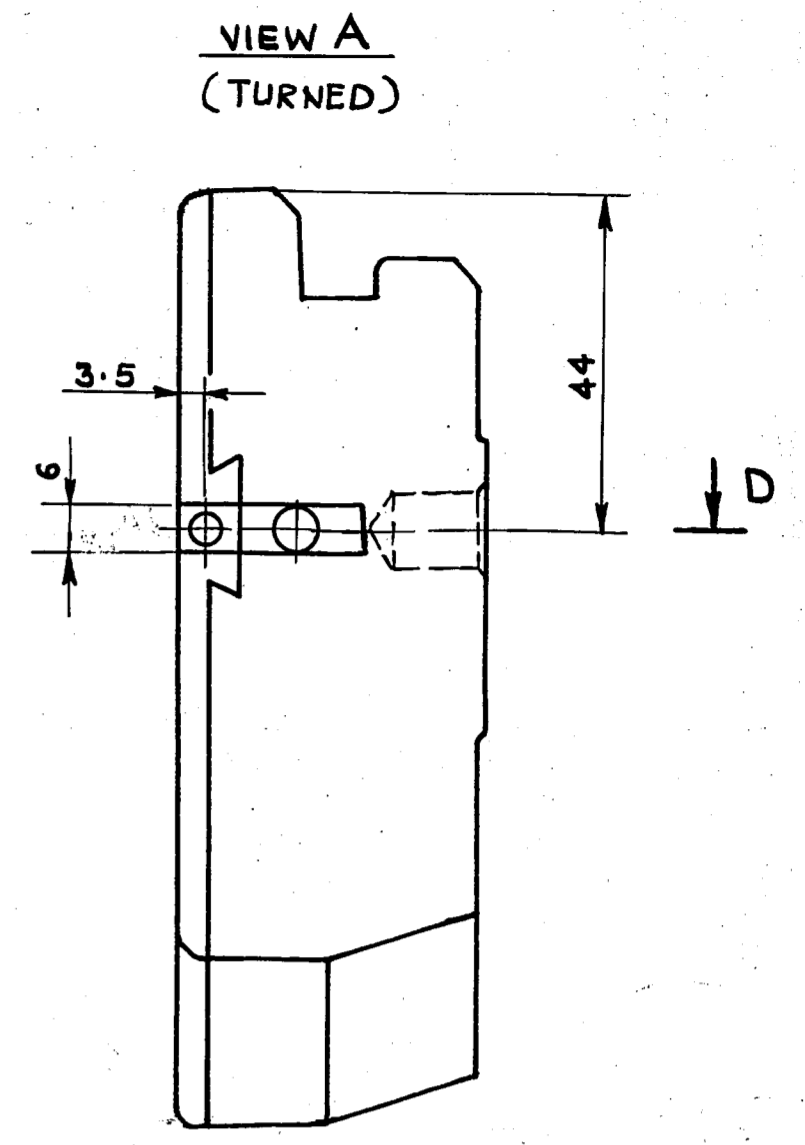
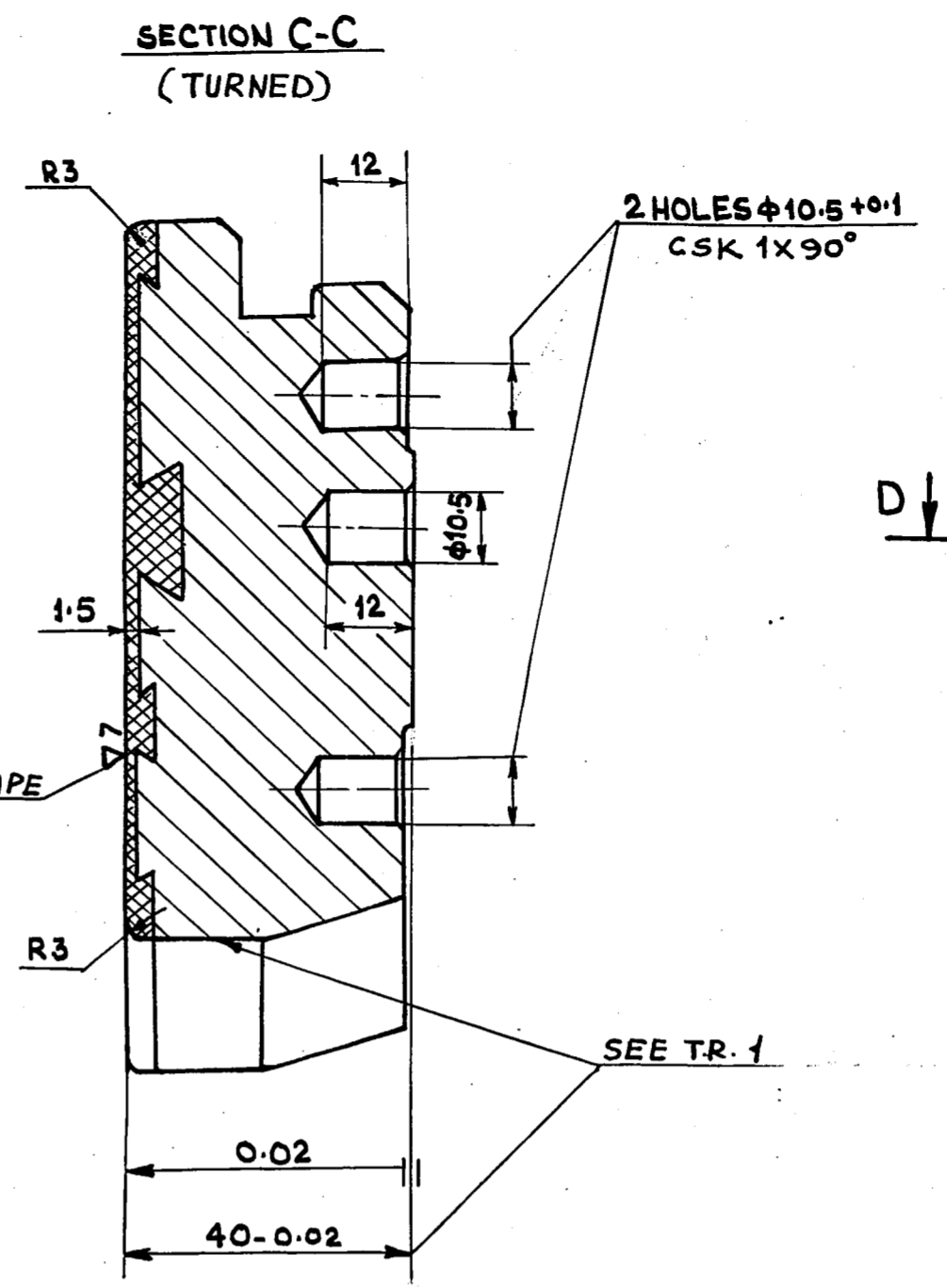
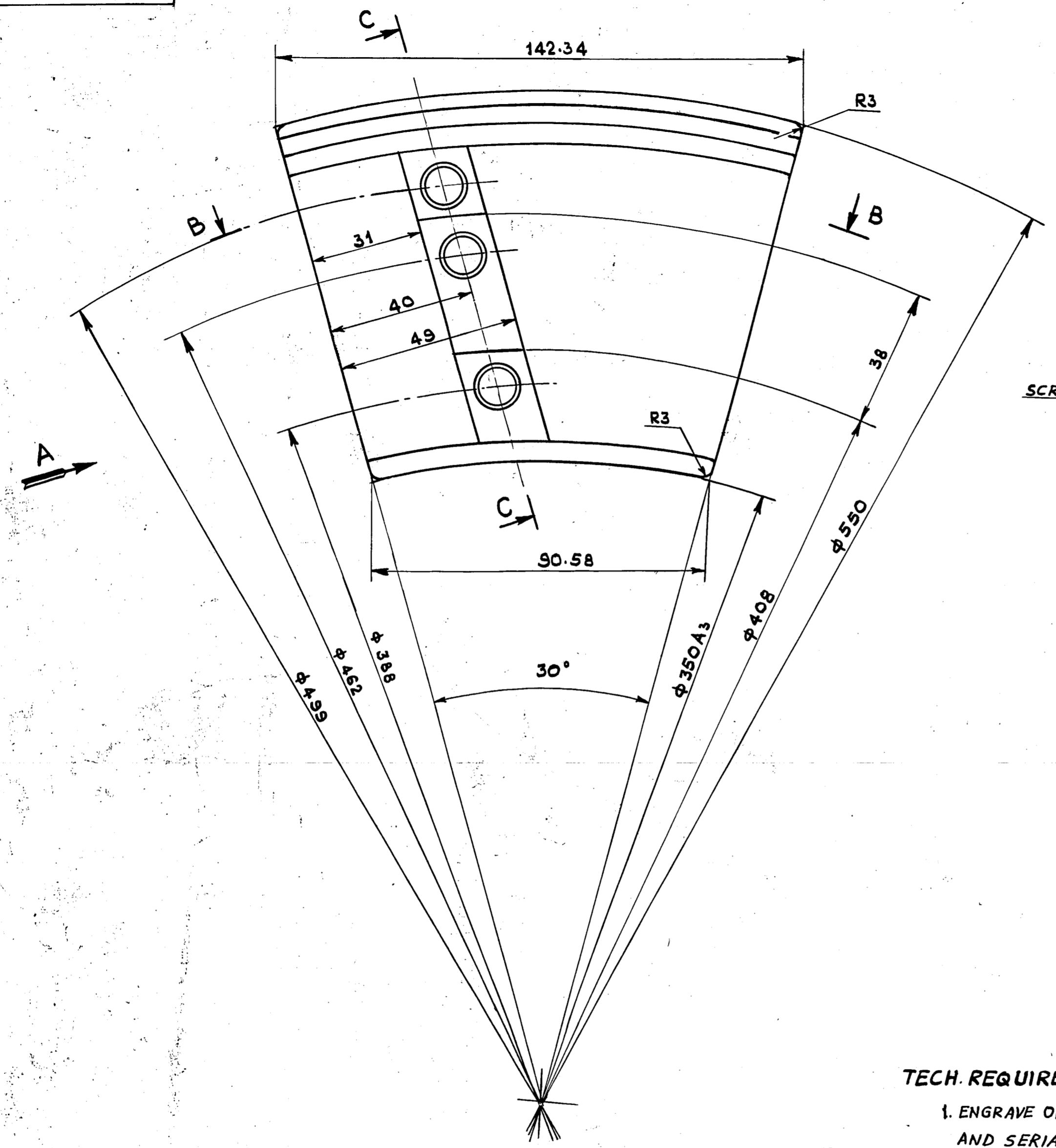


32404021

32404021

FIRST ANGLE PROJECTION

∇4 THE REST



- TECH. REQUIREMENTS:-**
1. ENGRAVE ON EACH PAD ITS ACTUAL THICKNESS AND SERIAL NUMBER.
 2. WEIGHT OF PAD IS SHOWN WITHOUT BABBIT. NET WEIGHT OF BABBIT 0.273 Kg.
 3. BLANK FOR WORKING PADS SEE DRG. NO 32404025

				C-200-130	32404000 SP	
				WORKING PAD	32404021	
CHG. NOS	DOCU. NO	SIGN	DATE		LETTER	WT.
WORKED	P. SINGH	[Signature]	29/4/22	B	3.45	1:1
CHD.	P. SINGH	[Signature]	29/4/22	SHEET-1 SHEETS-1		
SUPERVISER				HEEP STD		
TECH. CONT.	MANCHANDR	[Signature]	29/4/22	BRONZE 6P 0φ-10-1		
STD. CONT.	RPS	[Signature]	3/7	MT97-64		
APPR.	J.N. KARAN	[Signature]	4/7/22	SIZE 22		

