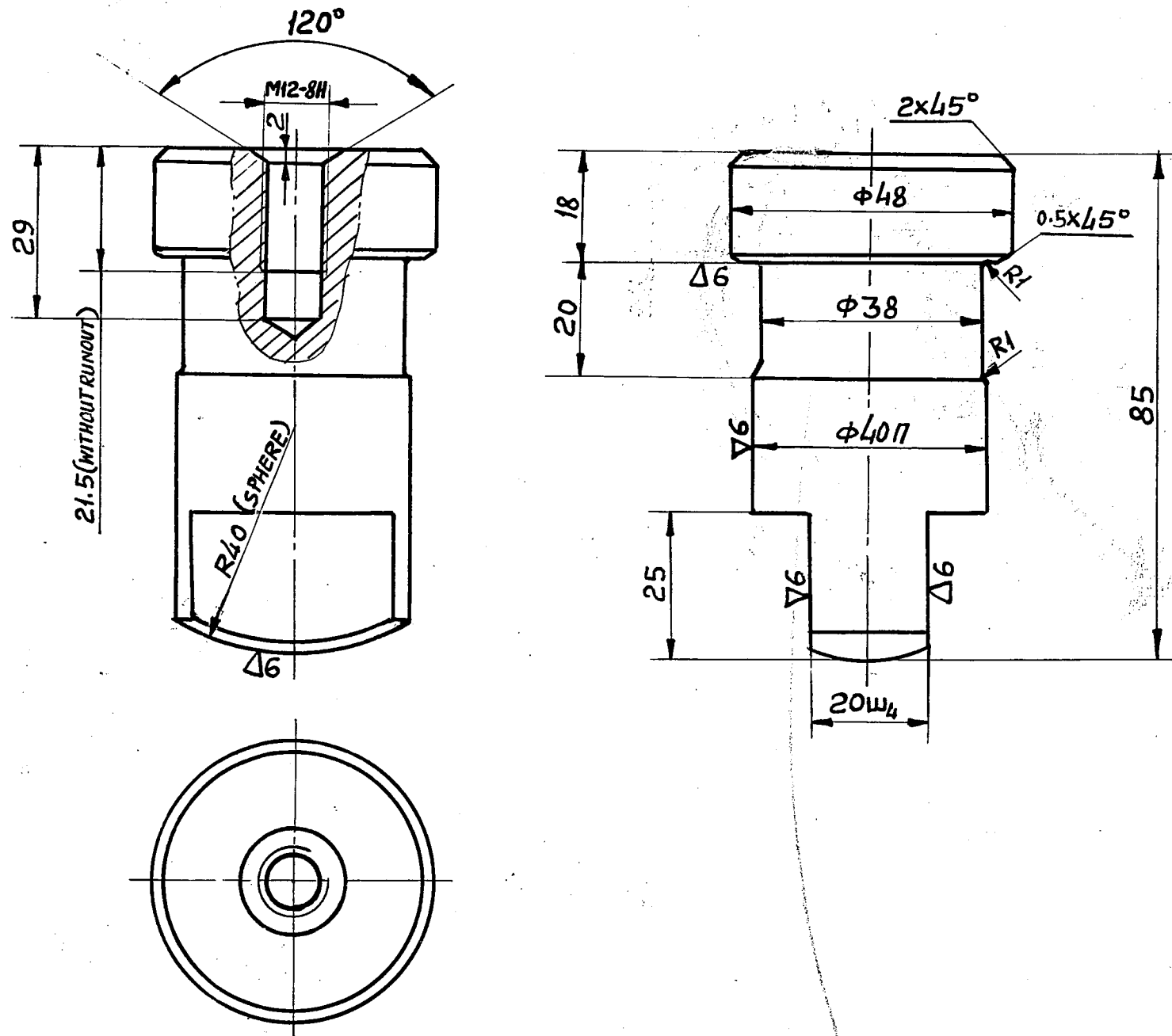


▽4 THE REST

32404006



INVENTORY NO.	8-7539	SIGN AND DATE	27.7.72	SUPERSEDED INVENTORY NO.		DUPLICATE INVENTORY NO.		SIGN AND DATE		DRAWING NO. (USSR)	D-1136314	GROUP SP. (ASSEMBLY)	118303-6
---------------	--------	---------------	---------	--------------------------	--	-------------------------	--	---------------	--	--------------------	-----------	----------------------	----------



					C-200-130		32404000 SP.	
					STOPPER		32404006	
					STEEL		LETTER	
					C 40 IS:2073-62		B	
					Cm 5 GOST 535-52		WEIGHT	
							0.9	
							SCALE	
							1:1	
					SHEET 1		TOTAL SHEETS 1	
					KEEP		STD	

CHK	NOS.	DOCUMENT NO.	SIGN	DATE
WORKED		P.SINGH	<i>P.Singh</i>	27.7.72
CHECKED		P.SINGH	<i>P.Singh</i>	27.7.72
SUPERVISED				
TECH CONTROL		MANCHANDA	<i>Man</i>	16/5/72
STD CONTROL		R.P.	<i>R.P.</i>	3/7
APPROVED		J.N.KARAN	<i>J.N.Karan</i>	4/7/72