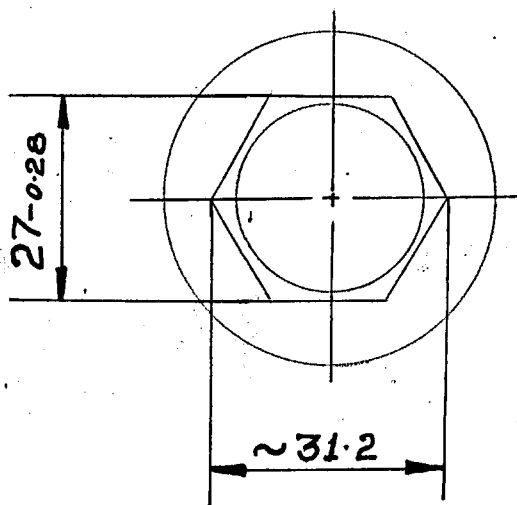
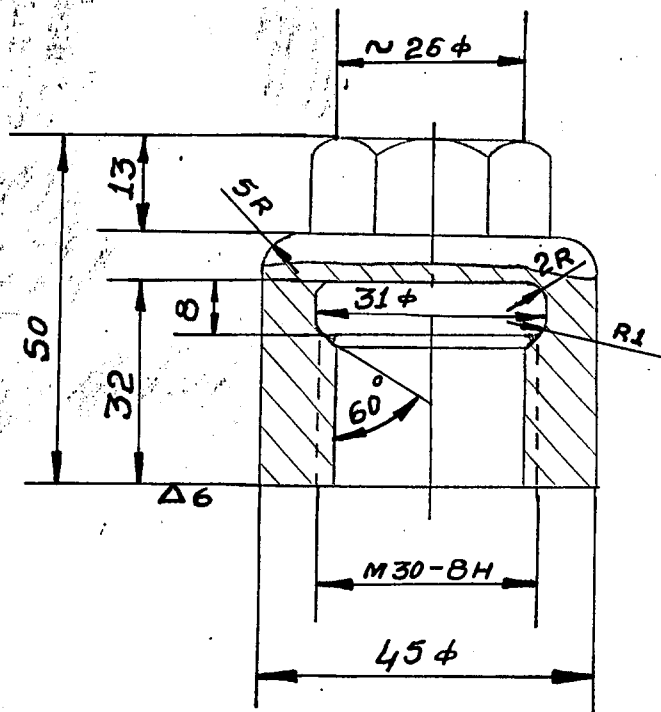


31404024

4 REST.

U.S.S.R. MATERIAL	U.S.S.R. GR.SP. (ASSEMBLY)	U.S.S.R. DRAWING NO.	SIGN & DATE	DUPLICATE INVENTORY NO.	SUPERSEDED INVENTORY NO.	SIGN AND DATE
Cm 4 Oct 535-52	117302 A	A-1021075				1-42



C - 100 - 90					117302A		
CAP NUT M30					31404024		
CHG	NOS	DOCU. NO.	SIGN	DATE	LETTER	WEIGHT	SCALE
WORKED BY	F. K. SINGAL	RK		15.12.67		0.336	1:1
CHECKED BY							
SUPERVISED							
TECH. CONT							
STD. CONT.	J. N. KARAN	JN		16.12.67	SHEET 1	TOTAL SHEETS 1	
BUR. CH.					HEEP		
APPROVED							

TRACED K.S. KALRA.

SIZE 11