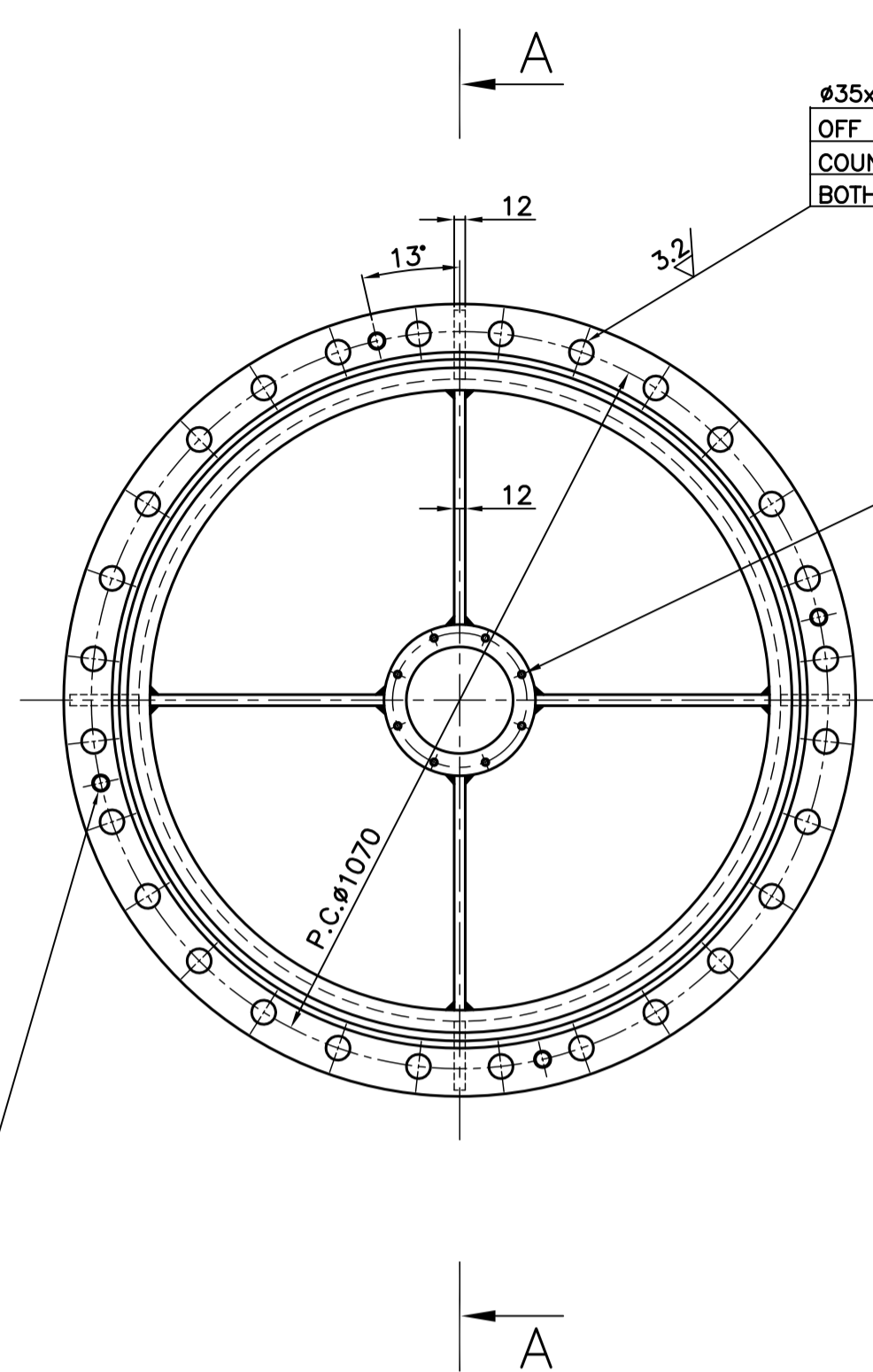


SECTION-AA



#35x28 HOLES EQUI-SPACED  
OFF CRS ON PCD 1070  
COUNTER BORE Ø65 DEPTH 1MM  
BOTH BOTTOM AND TOP FLANGES

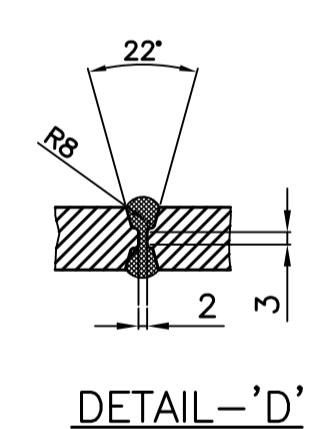
8 HOLES, TAPPED HOLES M10x1.5-6H  
EQUI-SPACED OFF CRS ON PCD 195  
THREAD DEPTH-18MM, DRILL DEPTH-24MM

4-M24 TAP THROUGH  
FOR JACKING ON TOP FLANGE

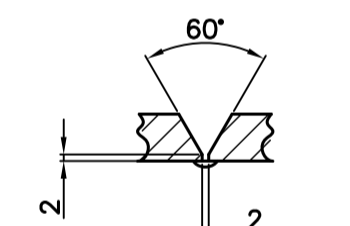
NOTE-1

- MECHANICAL AND CHEMICAL PROPERTIES REPORT SHALL BE SUBMITTED
- FOR FLANGES POS.NOs 2&3; SEGMENTAL WELDING IS PERMITTED (MAXIMUM 4 SEGMENTS). SEGMENTS SHALL BE WELDED WITH DOUBLE 'U' TYPE WELDING AS SHOWN IN DETAIL 'D'.
- FOR SHELL POS.No 1; MAXIMUM 1 NO VERTICAL WELD JOINT AS PER DETAIL-'R' IS PERMITTED.
- DIMENSIONS SHOWN IN THE FINISH MACHINED DRAWING ARE FINISH MACHINED DIMENSIONS.
- WELDING AS PER BHEL WELD PROCEDURE SPECN NO. WE-042
- WHEREVER WELD SYMBOLS NOT SHOWN, ALL RIBS ARE TO BE WELDED ALL ROUND THE CONTACT AREA TO 12 MM FILLET
- D.P.T SHALL BE DONE ON 100 % OF WELDS AS PER AA0850131 ACCEPTANCE AS PER AA0850129 LEVEL-IV.
- R.T TO BE CARRIED OUT ON ALL WELD JOINTS 100 % AS PER THE QUALIFICATION PROCEDURE-ASME SECTION VIII DIV I. UW 51. WPS, PQR AND WELDER QUALIFICATION SHALL BE AS PER ASME SECTION -IX.
- WHEREVER NOT SPECIFIED, ALL SHARP EDGES TO BE CHAMFERED TO 2x45°.
- WHEREVER NOT SPECIFIED TOLERANCE ON MACHINED DIMENSIONS AS PER AA0230208 MEDIUM CLASS.
- COMPONENT SHALL BE PRESSURE TESTED AT 5.0 Kg/Sq. Cm. FOR 30 MINUTES DURATION.
- DIMENSIONAL INSPECTION REPORT.
- MACHINED SURFACES SHALL NOT BE PAINTED.
- MACHINED SURFACES SHALL BE COATED WITH SUITABLE RUST PREVENTIVE COAT AS PER HY0490563, CATEGORY 'B'
- TO BE PROPERLY PACKED AND DESPATCHED SUCH THAT NO DAMAGE IS CAUSED DURING HANDLING AND TRANSIT.

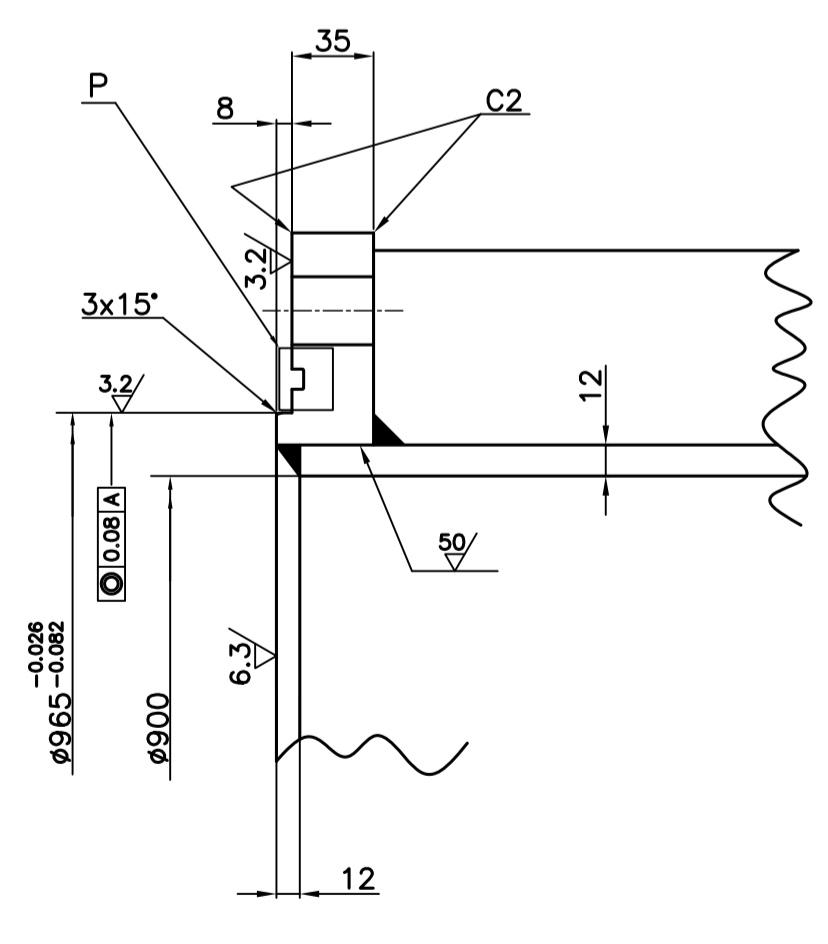
MATERIAL: DUPLEX SS TO UNS 32750  
PREN (1/2CR+3.3%Mo+16%N) > 38



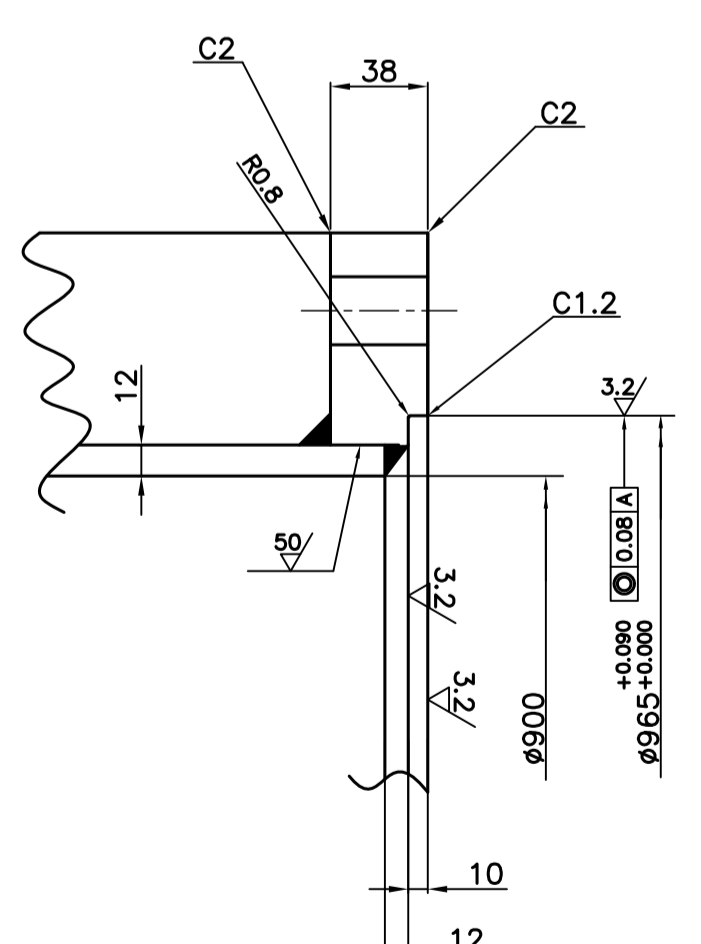
DETAIL-'D'



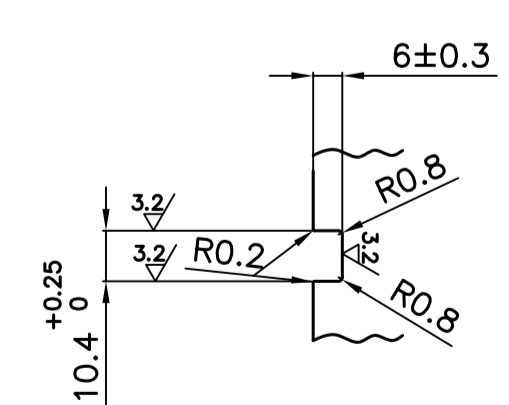
WELD DETAIL-'R'



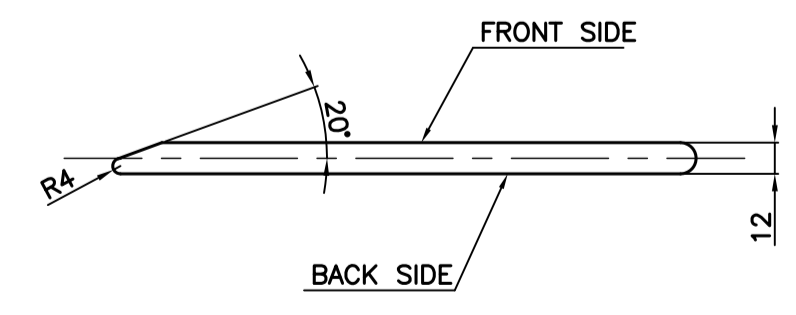
DETAIL-B



DETAIL-A



DETAIL-P



DETAIL-EE

01	ELEMENT-III	1 182 42 1 7013		FP9715941028	785	785
				DUPLEX SS 2205 TO UNS 32750		1
ITEM NO	DESCRIPTION	DRAWING NO.	VAR. NO.	RAW MATERIAL SIZE OR CASTING DRG.NO. OR FORGING DRG.NO.	MATERIAL CODE	NET WT. GROSS WT.
					MATERIAL SPECN.	QUANTITY

THE FOLLOWING CONDITIONS APPLY EXCEPT OTHERWISE STATED

- REF.TO HY0230261 FOR UN TOLERANCES.
- CHAMFER M/CD SHARP ED 1.2 TO 1.0 AT 45°.
- INTERNAL M/CD CORNER RADI 1 TO 0.7.
- THE SURFACE ROUGHNESS WHEREVER NOT SHOWN SHALL BE TAKEN FROM THE SURFACE ROUGHNESS SHOWN OUT SIDE BACK SLASHES GIVEN AT THE TOP MOST RIGHT CORNER OF THE DRG.

TYPE OF PRODUCT OR NAME OF CUSTOMER/PROJECT		CW10M CW MAKEUP PUMP	
BHARAT HEAVY ELECTRICALS LTD. HYDERABAD		BHARAT HEAVY ELECTRICALS LTD. HYDERABAD	
DEPT. PUMPS	SCALE N.T.S	WEIGHT (KG) 785	REF. TO ASSY DRG. -NA-
CODE 410			ITEM NO. -NA-
TITLE ELEMENT-III		DRAWING NO. 1 182 42 1 7013	
		SHEET NO. NO OF SHEETS	

INVENTORY NO. SIGN. AND DATE REF. DRG. NO. COMPUTER FILE NAME : THE INFORMATION ON THIS DOCUMENT IS THE PROPERTY OF BHARAT HEAVY ELECTRICALS LIMITED. IT MUST NOT BE USED DIRECTLY OR INDIRECTLY IN ANY WAY DETRIMENTAL TO THE INTEREST OF THE COMPANY.

REV.	DATE	ALTERED	APPD.	REV.	DATE	ALTERED	APPD.	REV.	DATE	ALTERED	APPD.	REV.	DATE	ALTERED	APPD.	REV.	DATE	ALTERED	APPD.
ZONE		CHECKED		ZONE		CHECKED		ZONE		CHECKED		ZONE		CHECKED		ZONE		CHECKED	