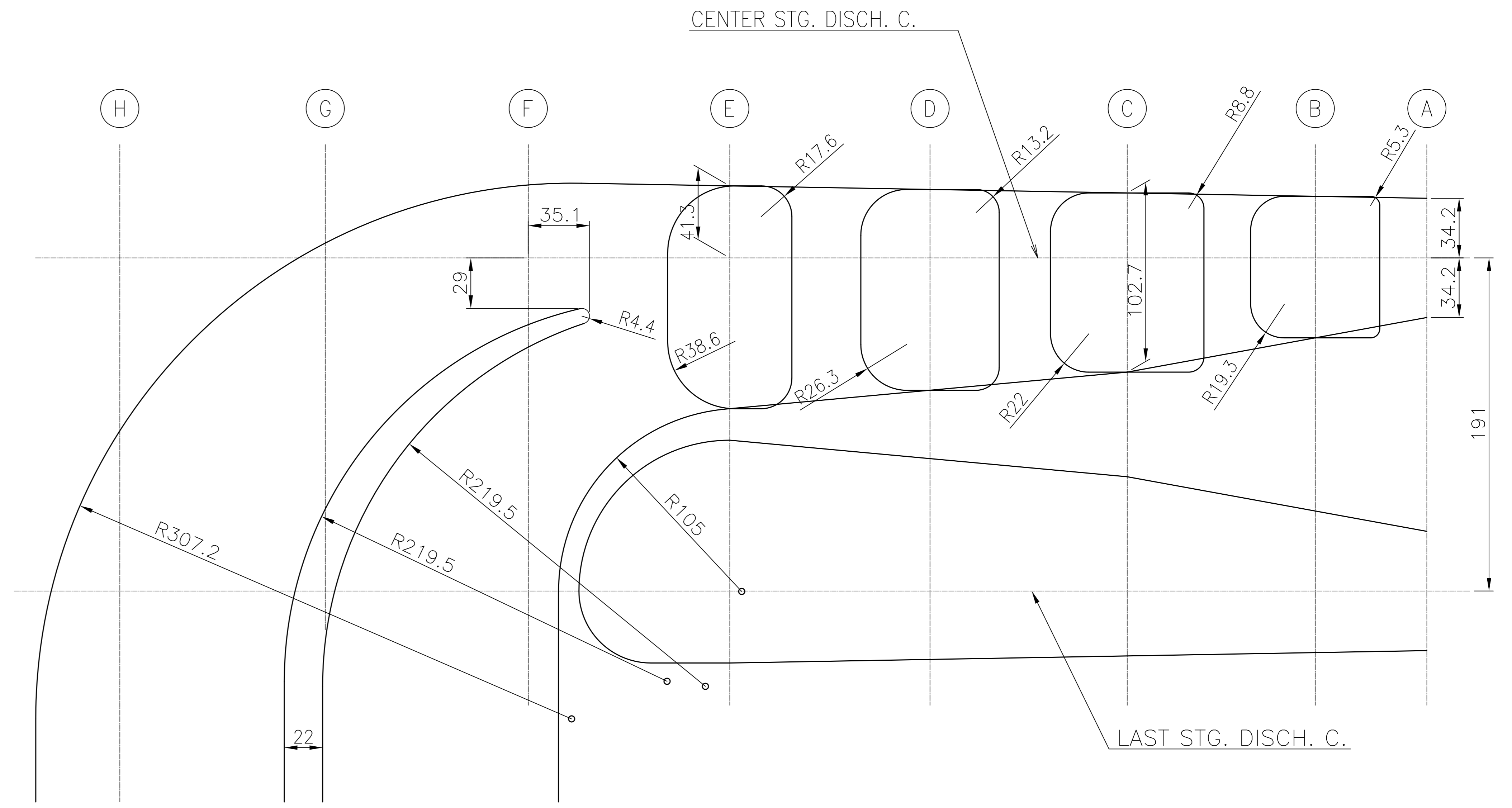
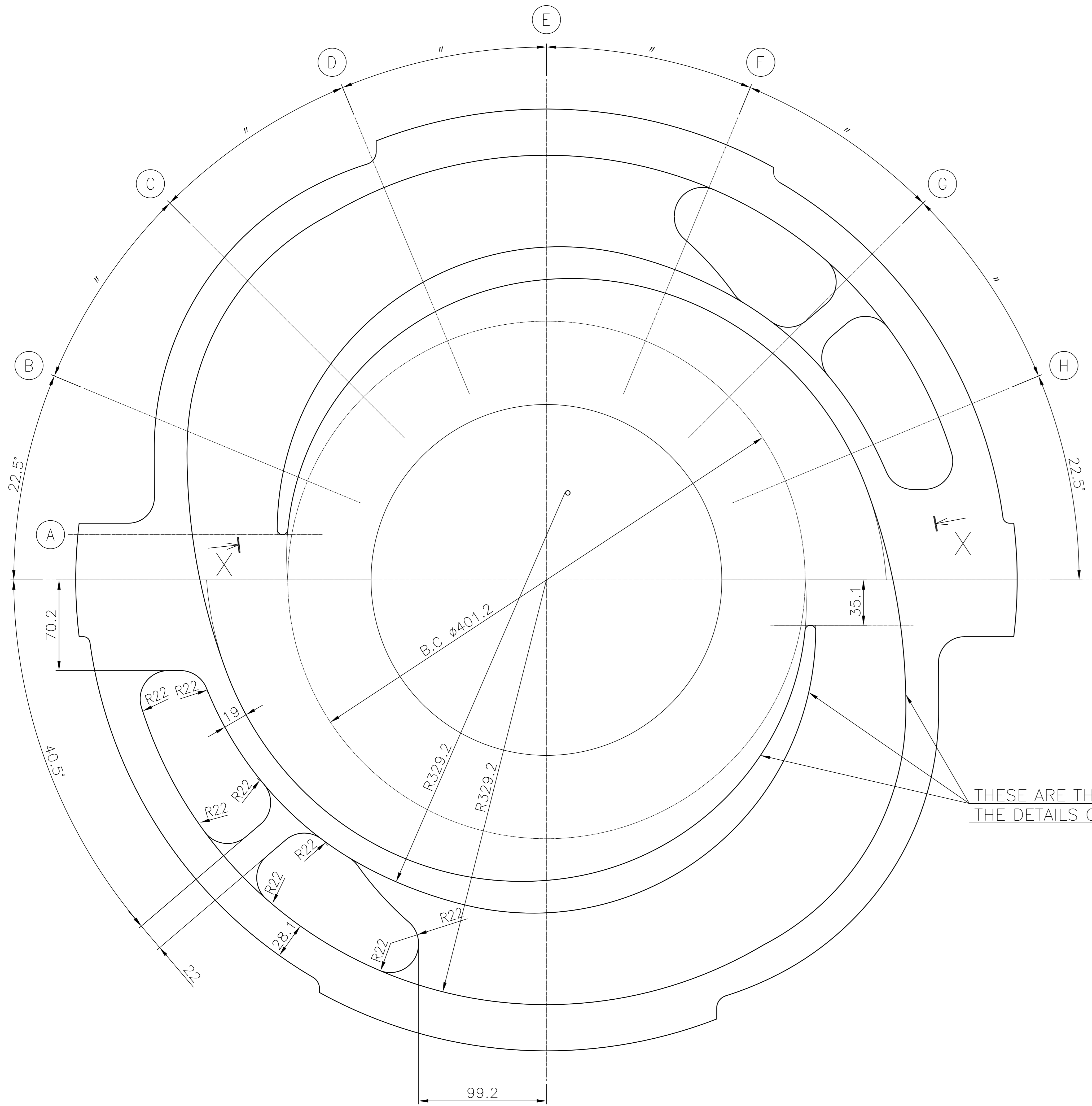


IMPELLER ROTATION



THESE ARE THE SAME SHAPE AS THE DETAILS OF SHORT CROSSOVER.

SECTION-XX

THE INFORMATION ON THIS DOCUMENT IS THE PROPERTY OF BHARAT HEAVY ELECTRICALS LIMITED. IT MUST NOT BE USED DIRECTLY OR INDIRECTLY IN ANY WAY DETRIMENTAL TO THE INTEREST OF THE COMPANY.

INVENTORY NO. 01-039-00-001-EP0100-01-4678-00

ITEM NO.	DESCRIPTION	DRAWING NO.	VAR. NO.	RAW MATERIAL SIZE OR CASTING DRG. NO. OR FORGING DRG. NO.	MATERIAL CODE	NET WT.	GROSS WT.

THE FOLLOWING CONDITIONS APPLY EXCEPT OTHERWISE STATED.		TYPE OF PRODUCT OR NAME OF CUSTOMER/PROJECT	
1. REF. TO HY0230261 FOR UNSTATED TOLERANCES.		MDG406	
2. CHAMFER M/CD SHARP EDGE 1.2 TO 1.0 AT 45°.		BHARAT HEAVY ELECTRICALS LTD. HYDERABAD	
3. INTERNAL M/CD CORNER RADIUS 1 TO 0.7.		DEPT: PUMPS	
4. THE SURFACE ROUGHNESS WHEREVER NOT SHOWN SHALL BE TAKEN FROM THE SURFACE ROUGHNESS SHOWN OUT SIDE BACK SLASHES GIVEN AT THE TOP MOST RIGHT CORNER OF THE DRG.		SCALE: NTS	

DRG. NO.	REV.	DATE	BY	CHKD.	DATE	NO. OF VAR.
01804214678	01	2020-06-05				00

TITLE	DRAWING NO.	REV.
INNER CASING LONG CROSSOVER	01804214678	00