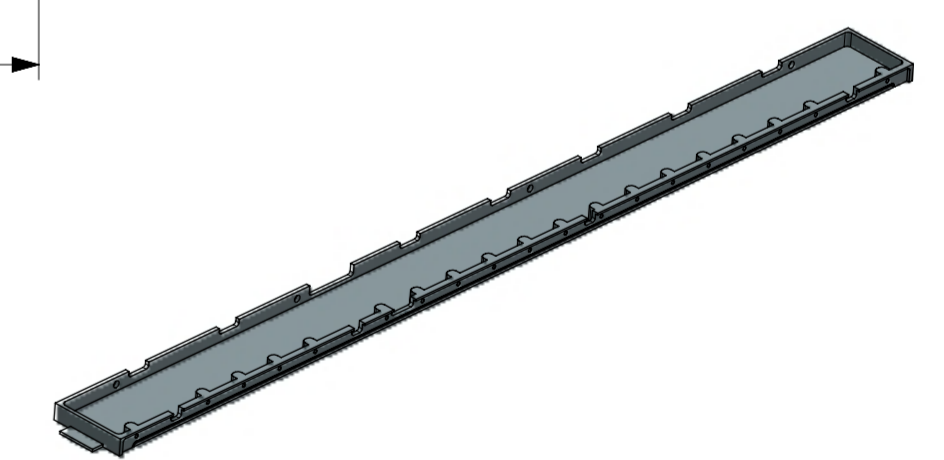
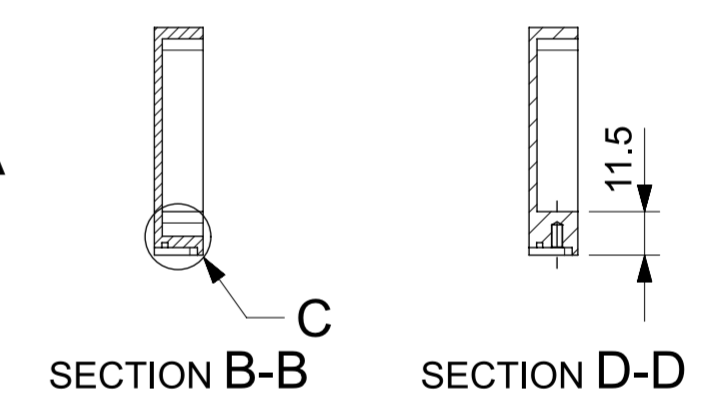
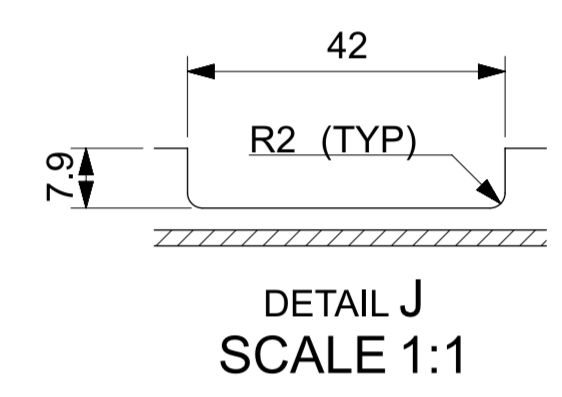
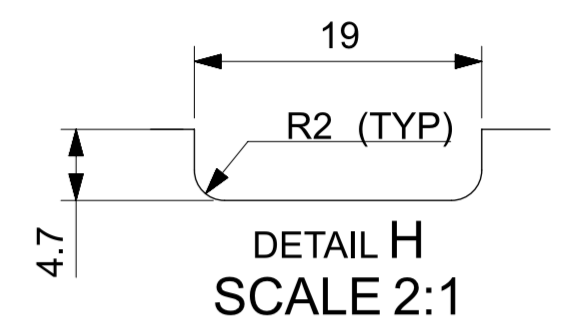
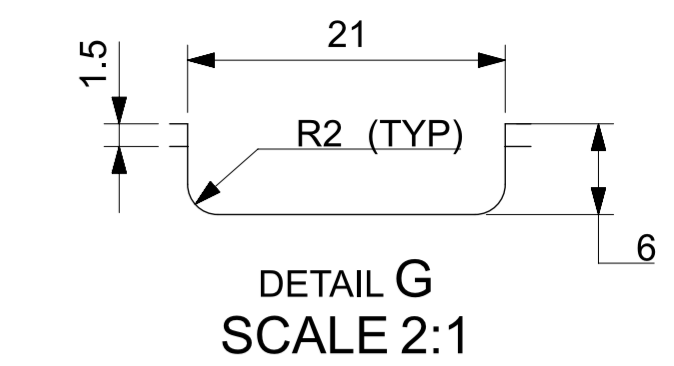
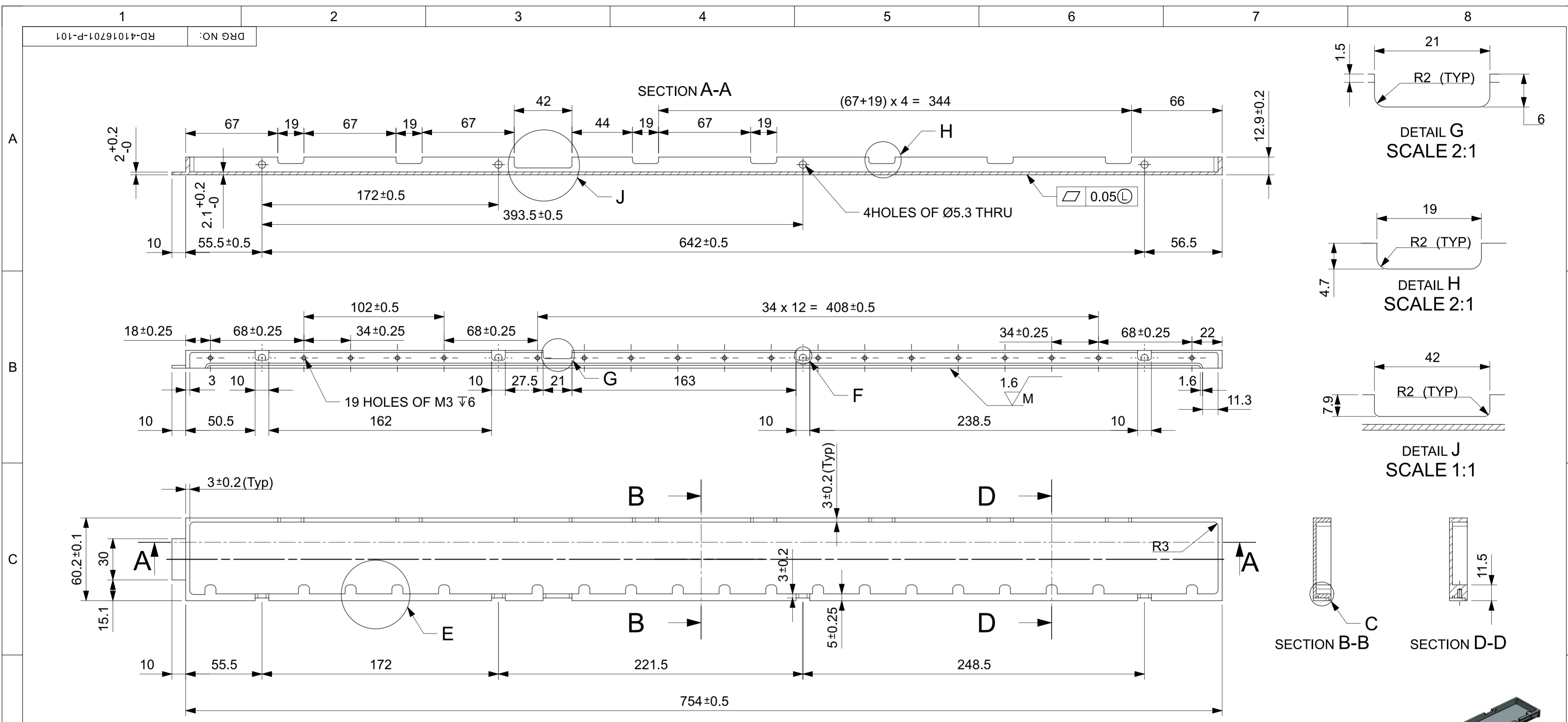
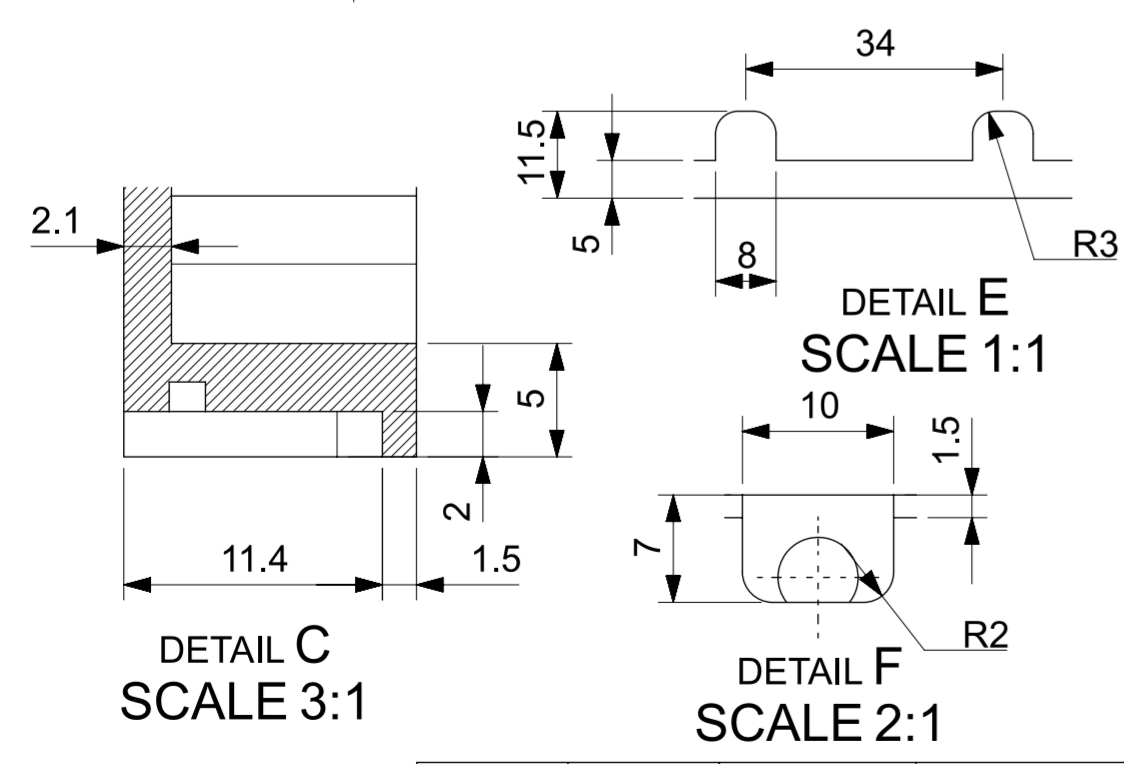


DRG NO: RD-41016701-P-101



- GENERAL NOTES:**
1. MACHINING OF O-RING GROOVE, DRILLING AND TAPPING OF HOLES WILL BE DONE AFTER ASSEMBLY.
 2. DEBURR ALL SHARP CORNERS.
 3. FLATNESS OF 0.05 L TO BE MAINTAINED ALONG THE LENGTH
 4. POSITIONAL TOLERANCE OF ±0.25 TO BE MAINTAINED UNLESS SPECIFIED.

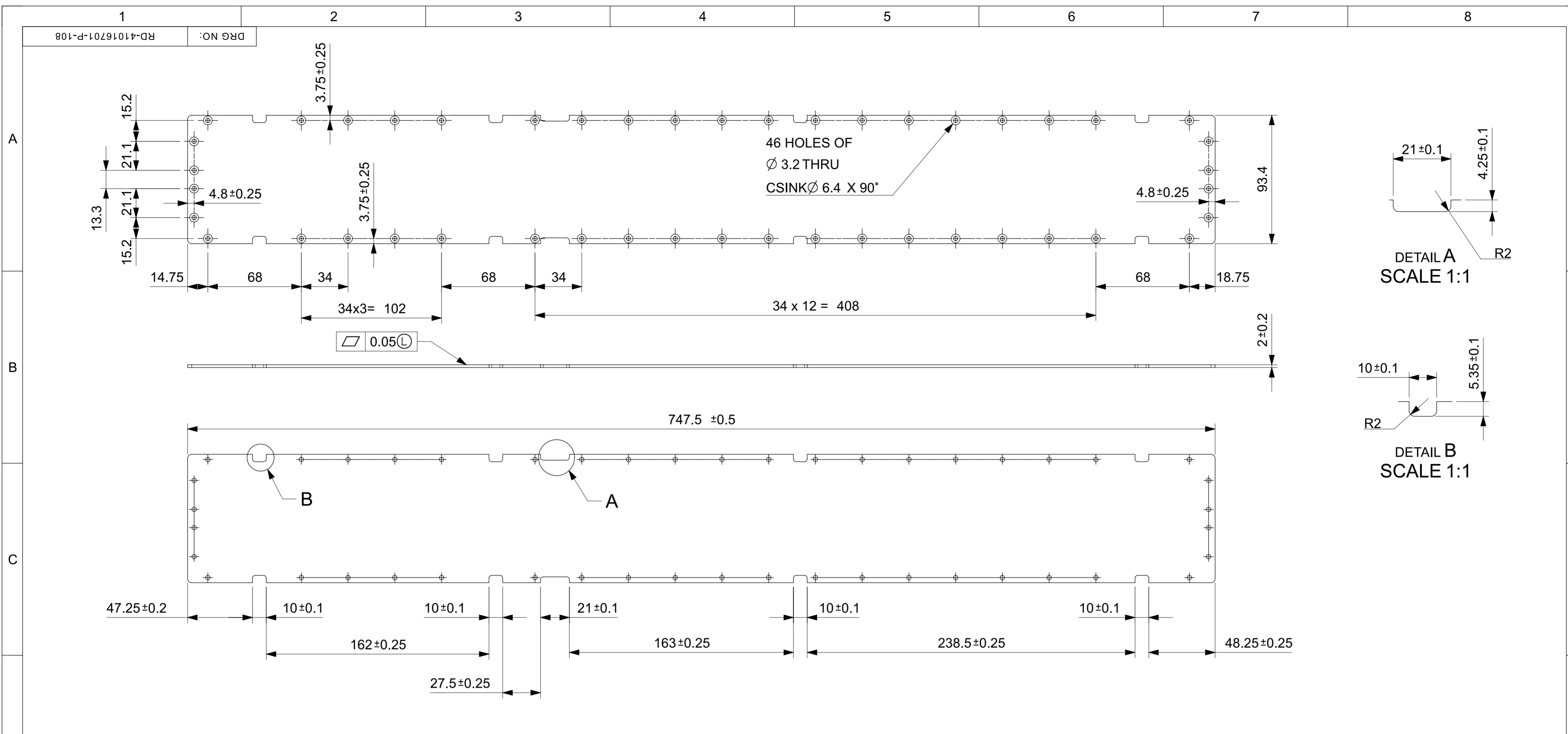


UNLESS OTHERWISE SPECIFIED TOLERANCES ON DIMENSIONS ARE			
LINEAR	RANGE	5 - 50	51 - 250
	TOL (MM)	±0.5	±1.5
ANGULAR		± 1.5°	
SURFACE FINISH	SYMBOL	∇∇∇	∇∇
	TOL (µm)	0.025 to 1.6	1.6 to 8

REV	DATE	ALTERED	REV	DATE	ALTERED
		CHD/APPD			CHD/APPD
ZONE			ZONE		

BHARAT HEAVY ELECTRICALS LTD.			
HEAVY PLATES & VESSELS PLANT			
VISAKHAPATNAM - 530012, INDIA.			
DRAWN	ANAND	RESEARCH AND DEVELOPMENT	
CHECKED	S MANDAL	CUSTOMER	DARE BANGALORE
APPROVED	SVS SRIIVAS	TITLE PCM HE - BOTTOM PLATE	
SCALE	1:2	REF DRAWING NO	RD-41016701-A-100
ALL PROJECTIONS ARE IN FIRST ANGLE UNLESS OTHERWISE SPECIFIED		YEAR OF ORDER	DRAWING NUMBER
		2019	RD-41016701-P-101
SHEET 1 OF 1		REV.	00
			SIZE: A2

THE INFORMATION IN THIS DOCUMENT IS THE PROPERTY OF BHARAT HEAVY ELECTRICALS LIMITED. IT MUST NOT BE USED DIRECTLY OR INDIRECTLY IN ANY DETRIMENTAL TO INTEREST OF THE COMPANY



GENERAL NOTES:

1. POSITIONAL TOLERANCE \oplus ON HOLES SHALL BE WITH IN ± 0.25
2. ROUND OFF ALL SHARP CORNERS.

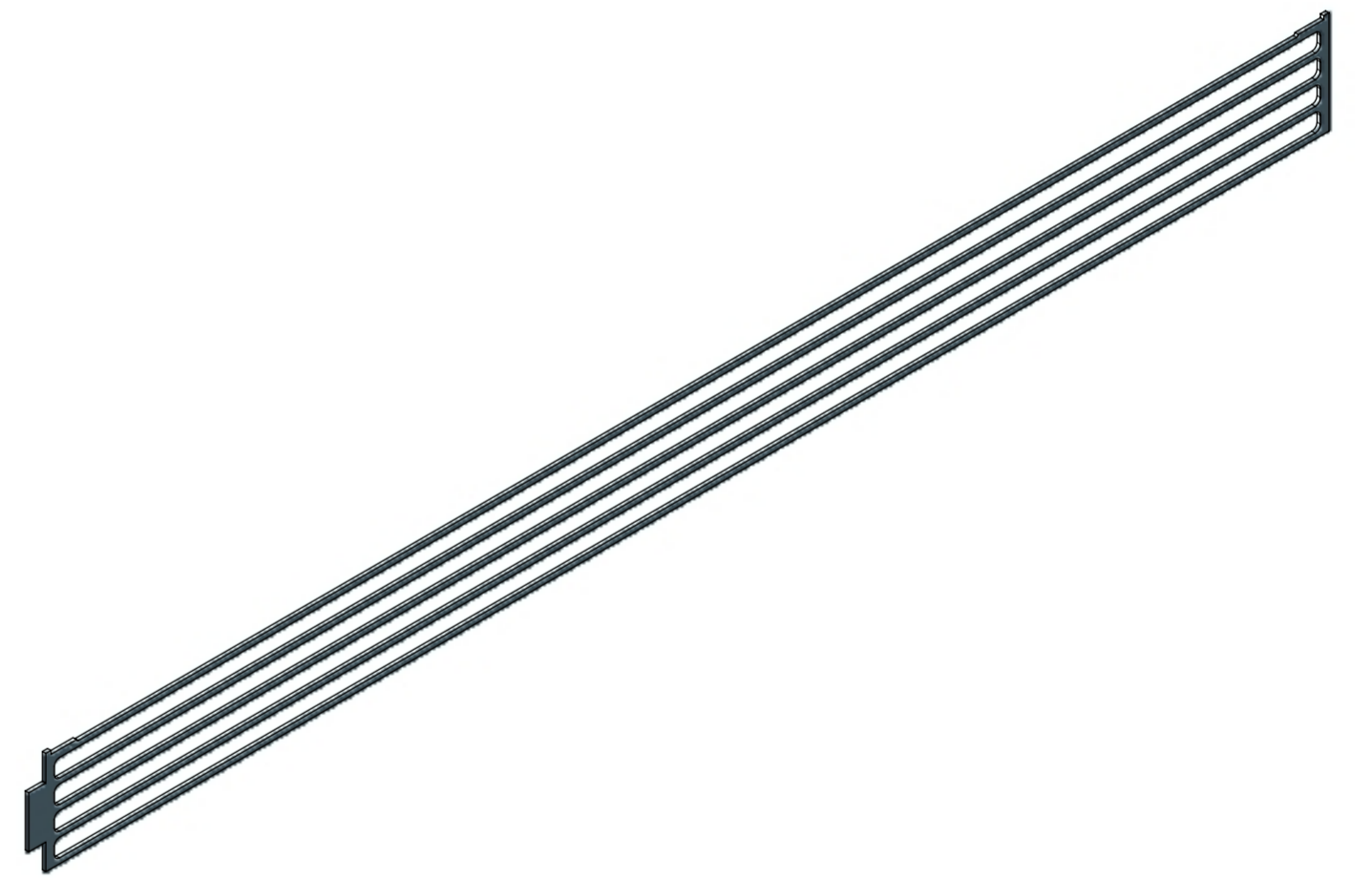
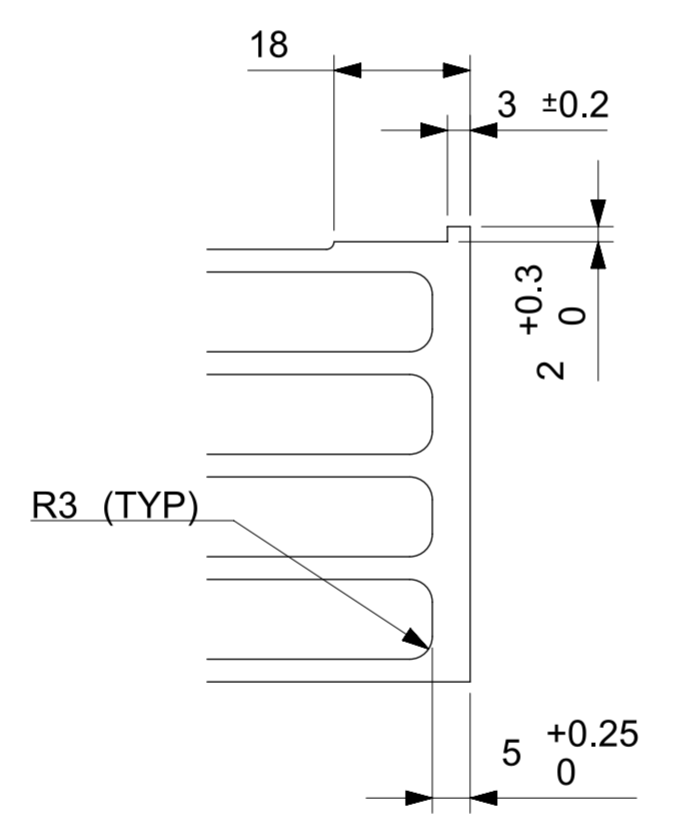
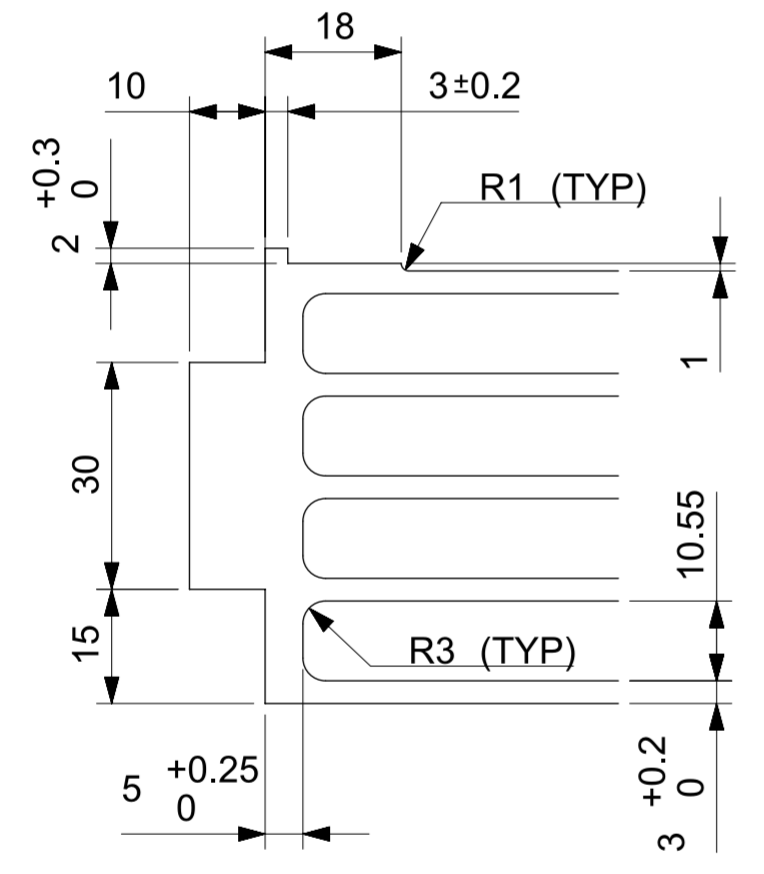
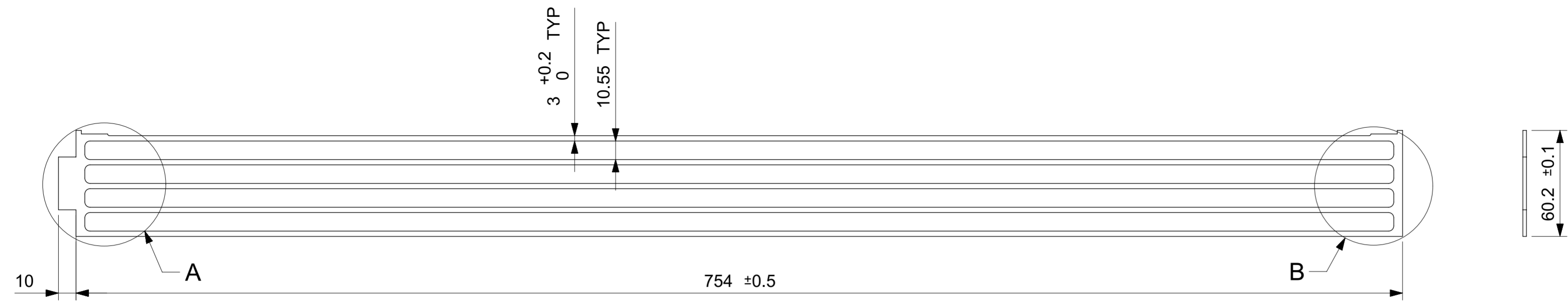
THE INFORMATION IN THIS DOCUMENT IS THE PROPERTY OF BHARAT HEAVY ELECTRICALS LIMITED. IT MUST NOT BE USED DIRECTLY OR INDIRECTLY IN ANY DETRIMENTAL TO INTEREST OF THE COMPANY

UNLESS OTHERWISE SPECIFIED TOLERANCES ON DIMENSIONS ARE			
LINEAR	RANGE	5 - 50	51 - 250
	TOL (MM)	± 0.5	± 1.5
ANGULAR		$\pm 1.5^\circ$	
SURFACE FINISH	SYMBOL	$\nabla\nabla\nabla$	$\nabla\nabla$
	TOL (μ m)	0.025 to 1.6	1.6 to 8

REV	DATE	ALTERED	REV	DATE	ALTERED	REV	DATE	ALTERED
		CHD/APPD			CHD/APPD			CHD/APPD
ZONE			ZONE			ZONE		

		BHARAT HEAVY ELECTRICALS LTD. HEAVY PLATES & VESSELS PLANT VISAKHAPATNAM - 530012, INDIA.	
		DRAWN ANAND CHECKED S MANDAL APPROVED SVS SRINIVAS SCALE 1:2	RESEARCH AND DEVELOPMENT CUSTOMER DARE BANGALORE TITLE PCM HE - COVER
ALL PROJECTIONS ARE IN FIRST ANGLE UNLESS OTHERWISE SPECIFIED		REF DRAWING NO RD-41016701-A-100 YEAR OF ORDER 2019	DRAWING NUMBER RD-41016701-P-108 REV. 00
		SHEET 1 OF 1	SIZE: A2

RD-41016701-P-104
DRG NO:



GENERAL NOTES:

- CLEAN AND GRIND ALL SHARP CORNERS AND BURRS.
- FLATNESS AND TOLERANCES TO BE MAINTAINED WITH IN LIMITS.

UNLESS OTHERWISE SPECIFIED TOLERANCES ON DIMENSIONS ARE			
LINEAR	RANGE	5 - 50	51 - 250
	TOL (MM)	±0.5	±1.5
ANGULAR		± 1.5°	
SURFACE FINISH	SYMBOL	∇∇∇	∇∇
	TOL (µm)	0.025 to 1.6	1.6 to 8

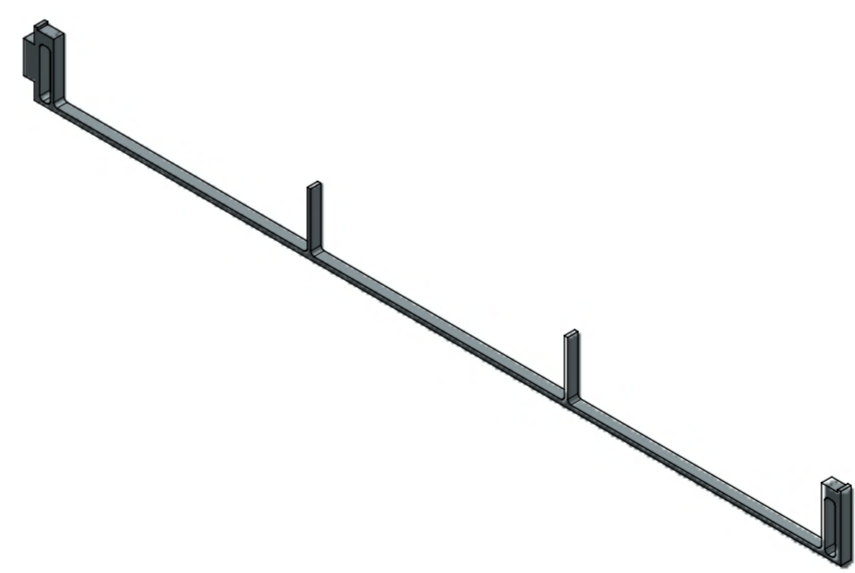
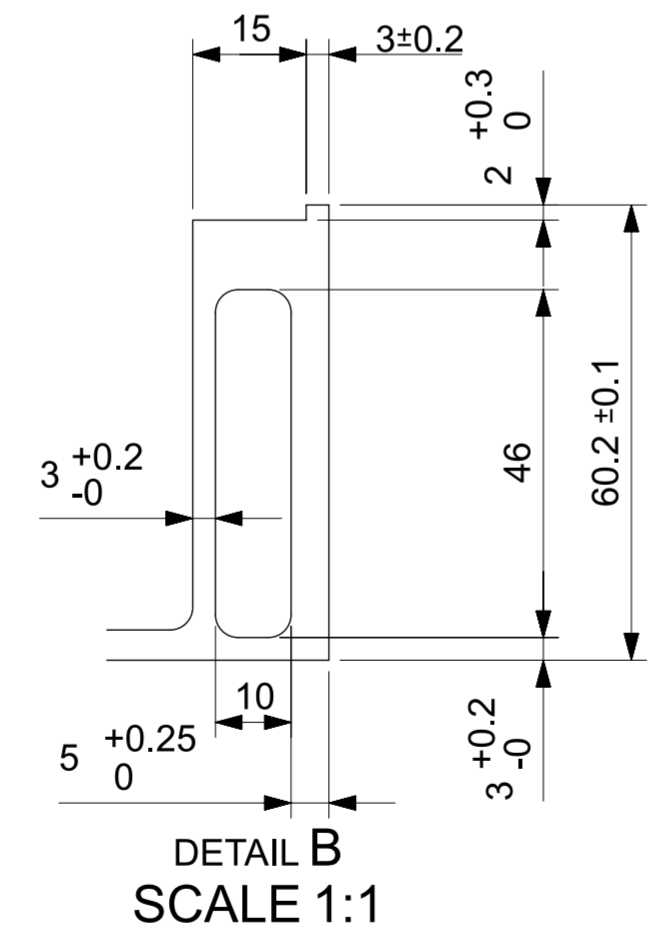
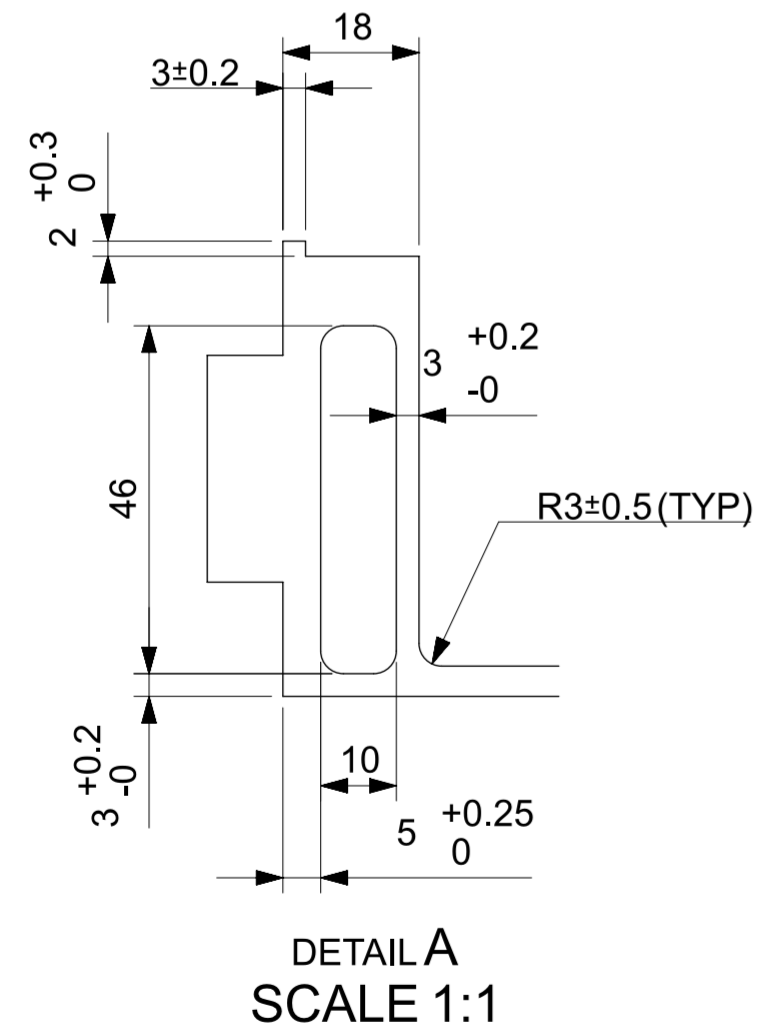
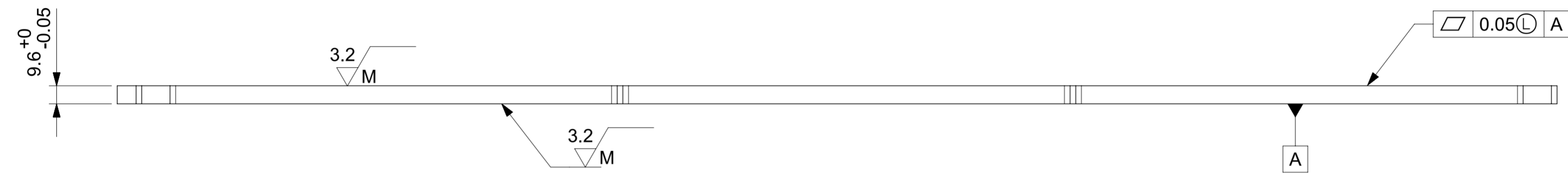
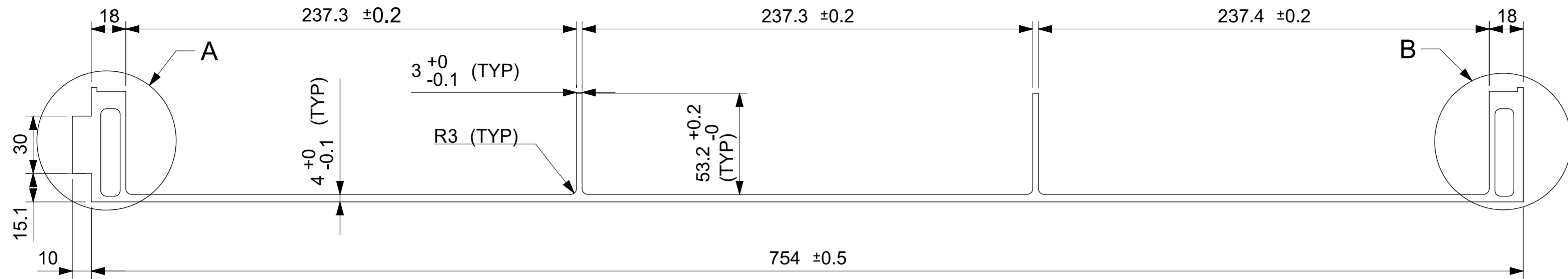
REV	DATE	ALTERED	REV	DATE	ALTERED	REV	DATE	ALTERED
		CHD/APPD			CHD/APPD			CHD/APPD
ZONE			ZONE			ZONE		

		BHARAT HEAVY ELECTRICALS LTD. HEAVY PLATES & VESSELS PLANT VISAKHAPATNAM - 530012, INDIA.			
		DRAWN: ANAND CHECKED: S MANDAL APPROVED: SVS SRINIVAS SCALE: 1:2	RESEARCH AND DEVELOPMENT CUSTOMER: DARE BANGALORE		TITLE: PCM HE - EGW FLOW PLATE
ALL PROJECTIONS ARE IN FIRST ANGLE UNLESS OTHERWISE SPECIFIED		REF DRAWING NO: RD-41016701-A-100	YEAR OF ORDER: 2019	DRAWING NUMBER: RD-41016701-P-104	REV.: 00
SHEET 1 OF 1			SIZE: A2		

THE INFORMATION IN THIS DOCUMENT IS THE PROPERTY OF BHARAT HEAVY ELECTRICALS LIMITED. IT MUST NOT BE USED DIRECTLY OR INDIRECTLY IN ANY DETRIMENTAL TO INTEREST OF THE COMPANY

1 2 3 4 5 6 7 8

RD-41016701-P-102
DRG NO:



GENERAL NOTES:
1. CLEAN AND GRIND ALL SHARP CORNERS AND BURRS.
2. FLATNESS SURFACE FINISH AND TOLERANCES TO BE MAINTAINED WITH IN LIMITS.

		BHARAT HEAVY ELECTRICALS LTD. HEAVY PLATES & VESSELS PLANT VISAKHAPATNAM - 530012, INDIA.			
		DRAWN: ANAND CHECKED: S MANDAL APPROVED: SVS SRINIVAS SCALE: 1:2	RESEARCH AND DEVELOPMENT CUSTOMER: DARE BANGALORE		TITLE: PCM HE - FLOW PLATE
ALL PROJECTIONS ARE IN FIRST ANGLE UNLESS OTHERWISE SPECIFIED		REF DRAWING NO: RD-41016701-A-100	YEAR OF ORDER: 2019	DRAWING NUMBER: RD-41016701-P-102	REV.: 00
		SHEET 1 OF 1		SIZE: A2	

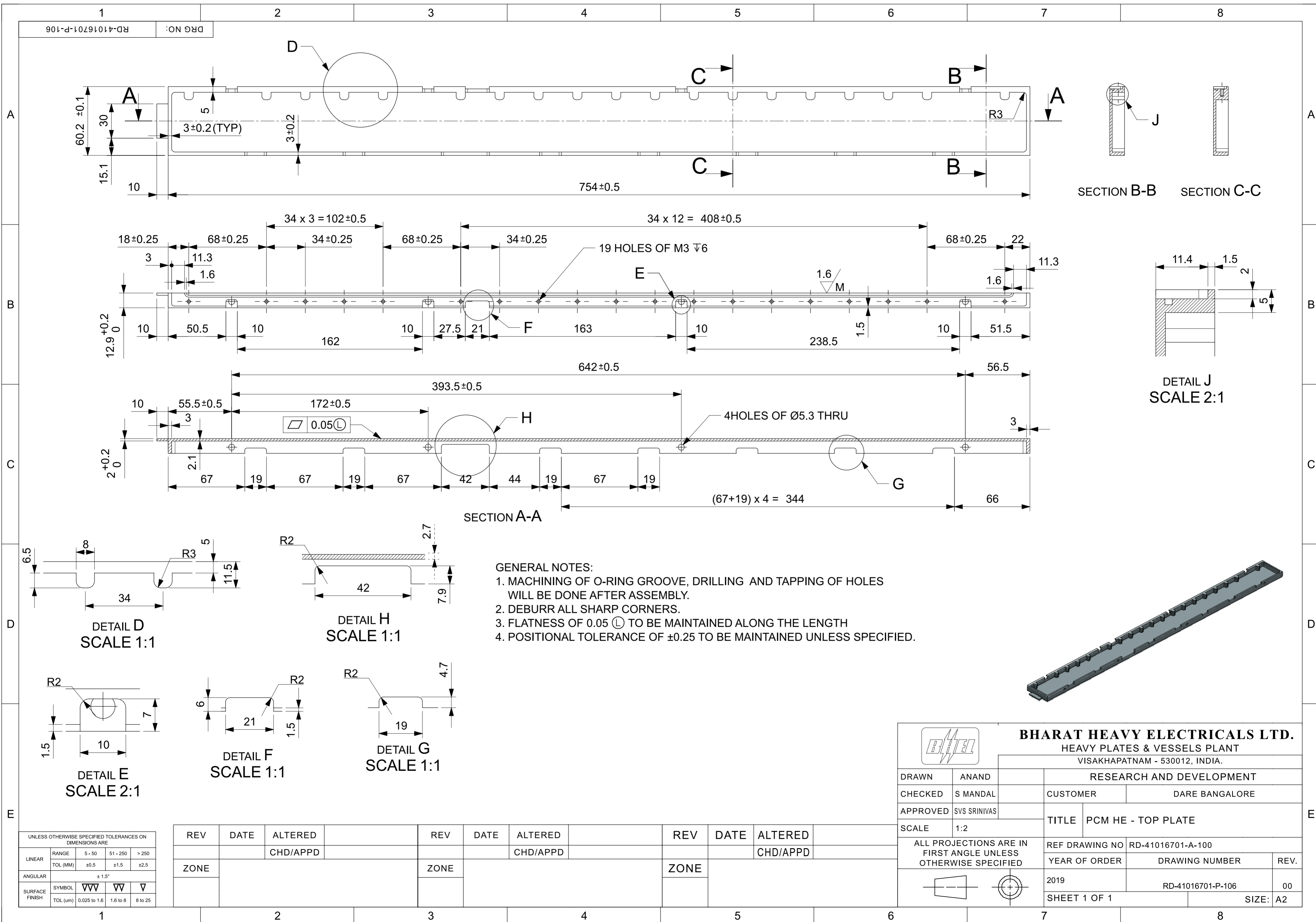
UNLESS OTHERWISE SPECIFIED TOLERANCES ON DIMENSIONS ARE			
LINEAR	RANGE	5 - 50	51 - 250
	TOL (MM)	±0.5	±1.5
ANGULAR		± 1.5'	
SURFACE FINISH	SYMBOL	∇∇∇	∇∇
	TOL (µm)	0.025 to 1.6	1.6 to 8

REV	DATE	ALTERED	REV	DATE	ALTERED
		CHD/APPD			CHD/APPD
ZONE			ZONE		

1 2 3 4 5 6 7 8

THE INFORMATION IN THIS DOCUMENT IS THE PROPERTY OF BHARAT HEAVY ELECTRICALS LIMITED. IT MUST NOT BE USED DIRECTLY OR INDIRECTLY IN ANY DETRIMENTAL TO INTEREST OF THE COMPANY

A B C D E



THE INFORMATION IN THIS DOCUMENT IS THE PROPERTY OF BHARAT HEAVY ELECTRICALS LIMITED. IT MUST NOT BE USED DIRECTLY OR INDIRECTLY IN ANY DETRIMENTAL TO INTEREST OF THE COMPANY

BHARAT HEAVY ELECTRICALS LTD.			
HEAVY PLATES & VESSELS PLANT			
VISAKHAPATNAM - 530012, INDIA.			
DRAWN	ANAND	RESEARCH AND DEVELOPMENT	
CHECKED	S MANDAL	CUSTOMER	DARE BANGALORE
APPROVED	SVS SRINIVAS	TITLE PCM HE - TOP PLATE	
SCALE	1:2		
ALL PROJECTIONS ARE IN FIRST ANGLE UNLESS OTHERWISE SPECIFIED		REF DRAWING NO	RD-41016701-A-100
		YEAR OF ORDER	DRAWING NUMBER
		2019	RD-41016701-P-106
		SHEET 1 OF 1	REV. 00
		SIZE: A2	