

11 / 08890-0000-A-Σ
DRAWING NO.

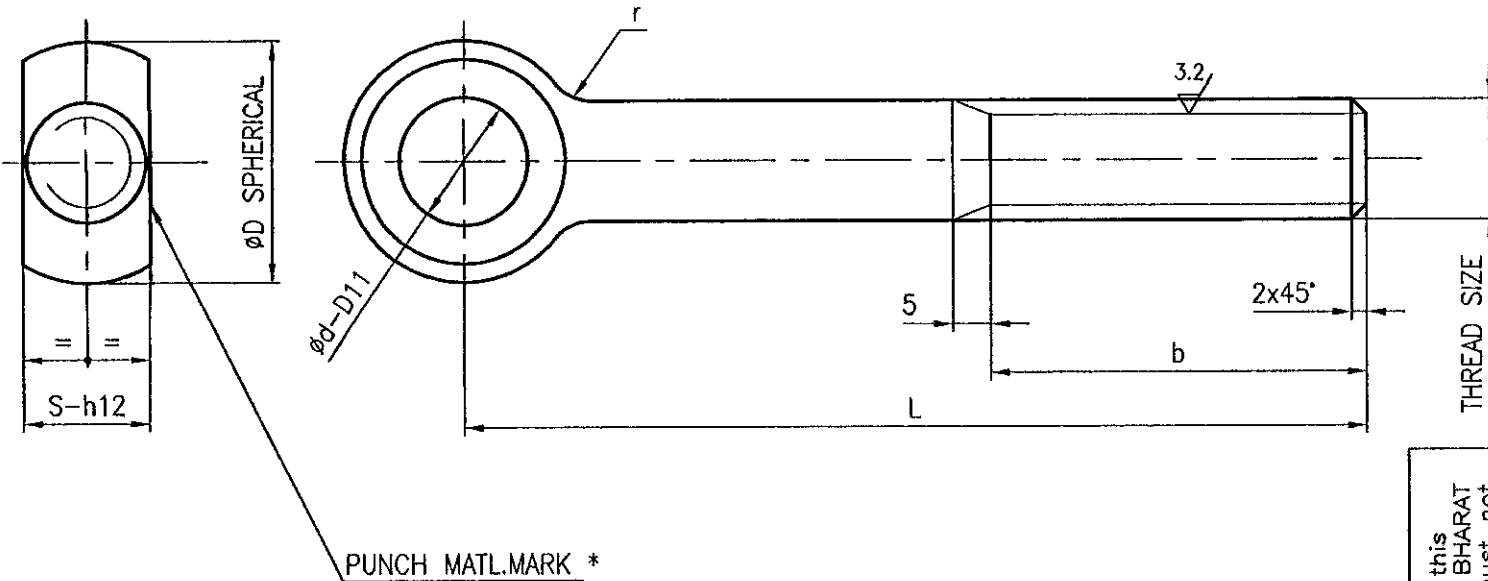
12.5 3.2

SL. No.	DRAWING NUMBER	MATERAIL CODE	MATL.SPECN.	THREAD SIZE	NET Wt.(kg)	DIMENSIONS						* MATL. MARK	APPLICABLE VALAVES
						L	b	r	S-h12	Ød-D11	ØD		
01	3-V-N073-06880/04	96 456 263 0000	ASTM A193-B7, HT, CERTIFY	1/2"-13UNC-2A	0.07	60	30	6	14	13.5	25	B7	2" & 3"/150C 3"/300C
02	3-V-N033-06880/04	96 456 264 0000		5/8"-11UNC-2A	0.16	75	38	6	17	17	32	B7	4"/150C 4"/300C
03	3-V-N001-06880/04	96 456 265 0000		5/8"-11UNC-2A	0.18	90	38	6	17	17	32	B7	6",8" & 12"/150C 6" & 8"-300C
04	3-V-N057-06880/04	96 456 266 0000		5/8"-11UNC-2A	0.23	120	38	6	17	17	32	B7	10"/150C
05	3-V-N206-06880/03	96 456 397 0000		5/8"-11UNC-2A	0.20	100	38	6	17	17	32	B7	10"/150C & 10"/300C
06	3-V-N224-06880/03	96 456 230 0000		5/8"-11UNC-2A	0.26	130	50	6	17	17	32	B7	14",16" & 20"/150C
07	3-V-C329-06880/03	96 456 432 0000		5/8"-11UNC-2A	0.22	110	40	6	17	17	32	B7	4"-900C
08	3-V-F503-06880/01	96 456 679 0000		1/2"-13UNC-2A	0.08	75	40	6	14	13.5	25	B7	3" & 4"-600C
09	3-V-N361-06880/01	96 456 690 0000		5/8"-11UNC-2A	0.31	160	50	6	17	17	32	B7	24"/150C
10	3-V-N201-06880/01	96 456 818 0000		1/2"-13UNC-2A	0.061	50	30	6	14	13.5	25	B7	2"-150C
11	3-V-M768-06880/01	96 456 853 0000	A320-Gr.L7 HT,CERTIFY	1/2"-13UNC-2A	0.07	60	30	6	14	13.5	25	L7	2" & 3"/300C 3"/150C
12	3-V-M769-06880/01	96 456 854 0000		5/8"-11UNC-2A	0.16	75	38	6	17	17	32	L7	4"/150C 4"/300C
13	3-V-M770-06880/01	96 456 855 0000		5/8"-11UNC-2A	0.18	90	38	6	17	17	35	L7	6" & 8"-300C 6" & 8"-150C
14	3-V-F501-06880	96 465 083 0000	A193-B7 HT,CERTIFY	1/2"-13UNC-2A	0.09	90	30	6	14	13.5	25	B7	2"-600C

DIMENIONS	h12	D11
10 TO 18	0	+0.160
	-0.180	+0.050

NOTES:

1. EYE BOLT TO BE MADE OUT OF FORGING.



DRAWING RETRACED WITH REVISION 11 ON 12.06.01 (REFER DCN.HM:393)

NO OFF	DESCRIPTION	MATL CODE	MATL SPECN	HEAT TREATMENT	SCRAP SORT	NET WT (kg)	GROSS WT (kg)	DRAWING No	ITEM No
	TYPE OF PRODUCT OR NAME OF CUSTOMER/PROJECT	CS							
	BHARAT HEAVY ELECTRICALS LTD. UNIT: HIGH PRESSURE BOILER PLANT. TIRUCHIRAPALLI 620014.	DRN	K.P.LEON	SIGN	<i>[Signature]</i>	DATE	12.06.01	NO.OF VAR.	
		CHD	T.R.R.MURTHY	SIGN	<i>[Signature]</i>	DATE	12.06.01		
		APPD	P.Boomnathan	SIGN	<i>[Signature]</i>	DATE	12.06.01		
	DEPT VL			SCALE		WEIGHT (KG)		REFERENCE INFORMATIONS	NO. OF ITEMS
	CODE 320			NTS.		-		CAD:C306880	-
	TITLE	EYE BOLT		CARD CODE	U 01	DRAWING NO.	3-V-0000-06880	REV	11

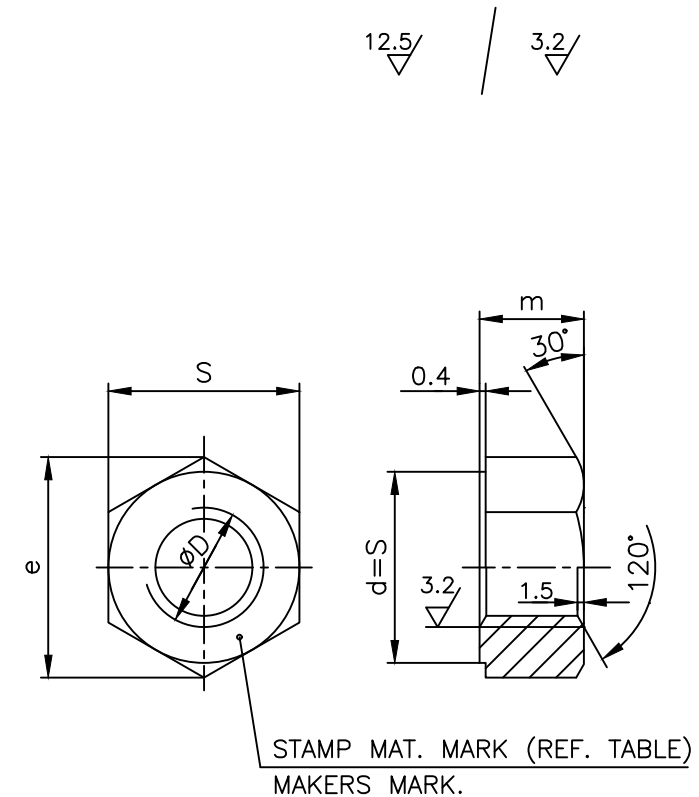
CAUTION: The information on this document is the property of BHARAT HEAVY ELECTRICALS LTD. It must not be used directly or indirectly in any way detrimental to the interest of the company.

REV	DATE	ALTERED
11	02.07.97	CHD & APPD

SL.NO.14 INCLUDED

9/890-0000-Λ-Σ
DRAWING NO.

SL. No.	DRAWING No.	COMP. CODE	MATL. SPECN.	S		e		m		øD	MATL. MARK	NET WT. (Kg.)
				MAX.	MIN.	MAX.	MIN.	MAX.	MIN.			
01	3.V.N073.06876/03	96 456 279	ASTM A194 - 2H, CERTIFY	22.22	21.59	25.65	24.61	12.80	11.79	1/2"-13 UNC -2B	2H	0.02
02	3.V.N025.06876/03	96 456 280		26.97	26.19	31.17	29.85	16.03	14.91	5/8"-11 UNC -2B	2H	0.03
03	3.V.N057.06876/03	96 456 281		31.75	30.78	36.65	35.10	19.25	18.03	3/4"-10 UNC -2B	2H	0.08
04	3.V.N065.06876/03	96 456 282		41.28	40.01	47.65	45.62	25.70	24.28	1"-8 UNC -2B	2H	0.17
05	3.V.N105.06876/03	96 456 283		46.02	44.60	53.16	50.85	29.93	27.41	1.1/8"-8 UN -2B	2H	0.27
06	3.V.N206.06876/02	96 456 431		36.52	35.41	42.16	40.37	22.47	21.16	7/8"-9 UNC -2B	2H	0.11
07	3.V.N204.06876/02	96 456 453	SA 307 Gr.B CERTIFY	31.75	30.78	36.65	35.10	19.25	18.03	3/4"-10 UNC -2B	307 B	0.08
08	3.V.N207.06876/02	96 456 454		36.52	35.41	42.16	40.37	22.47	21.16	7/8"-9 UNC -2B	307 B	0.11
09	3.V.F505.06876/01	96 456 683	ASTM A194 - 2H, CERTIFY	50.8	49.23	58.65	56.11	31.78	30.15	1.1/4"-8 UN -2B	2H	0.22
10	3.V.N848.06876	96 453 667		55.57	53.8	64.16	61.37	35.0	33.27	1.3/8"-8 UN -2B	2H	0.42
11	3.V.N827.06876	96 453 668		60.33	58.42	69.65	66.59	38.23	36.40	1.1/2"-8 UN -2B	2H	0.52
12	3.V.N846.06876/01	96 453 669		69.85	67.61	80.65	77.09	44.68	42.65	1.3/4"-8 UN -2B	2H	0.81
13	3.V.NK44.06876	96 465 904		65.07	63.02	75.15	71.84	41.45	39.53	1.5/8"-8 UN -2B	2H	0.68
14	3.V.NK45.06876	96 465 906		79.37	76.84	91.64	87.61	51.13	48.90	2"-8 UN -2B	2H	1.36



RETRACED WITH REV. 09 ON 26.11.18

NOTE:

1. FOR QUALITY REQUIREMENTS REFER LATEST APPLICABLE STANDARD(TDC:5:164).

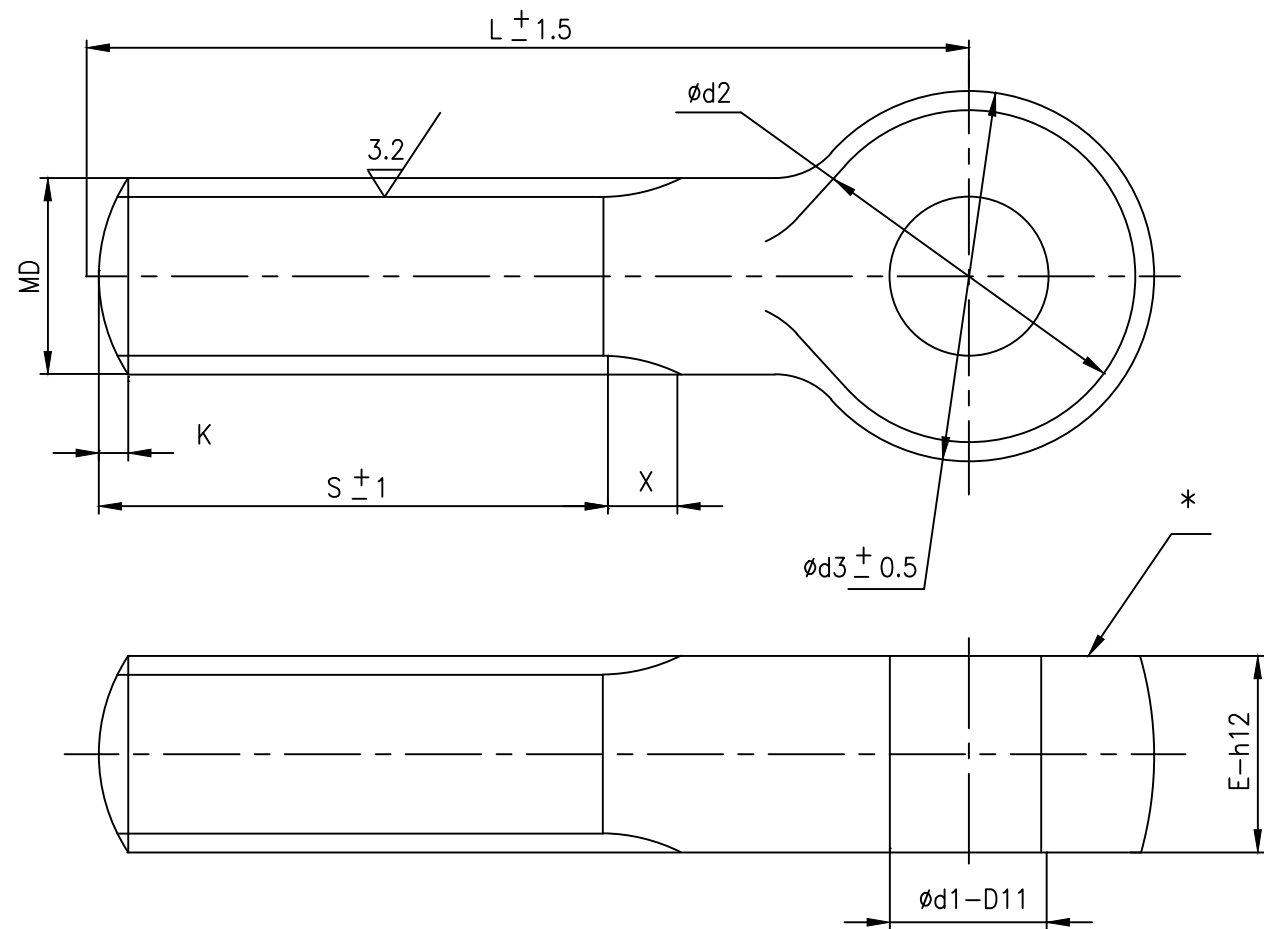
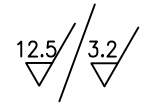
NO OFF	DESCRIPTION	MATL CODE	MATL SPECN	HEAT TREATMENT	SCRAP SORT	NET WT (kg)	GROSS WT (kg)	DRAWING No	ITEM No
-	-	-	-	-	-	-	-	-	-

CAUTION: The information on this document is the property of BHARAT HEAVY ELECTRICALS LTD. It must not be used directly or indirectly in any way detrimental to the interest of the company.

TYPE OF PRODUCT OR NAME OF CUSTOMER/PROJECT				
		BHARAT HEAVY ELECTRICALS LTD., UNIT: HIGH PRESSURE BOILER PLANT, TIRUCHIRAPALLI-620014.		
DRN	M.SRINIVASAN	SIGN	DATE	NO.OF VAR.
CHD	N.DHANAPAL		22.04.96	
APPD	A.VISWANATHAN		22.04.96	
DEPT	VL	SCALE	WEIGHT (KG).	REFERENCE INFORMATIONS
CODE	320	NTS	REF. TABLE	CAD: C306876
TITLE			CARD CODE	DRAWING NO.
HEX NUT			U 01	3-V-0000-06876
				NO. OF ITEMS
				REV
				09

REV	DATE	ALTERED	R.P.SINGH
09	26.11.18	CHD & APPD	SSK & KRS
		SL. No.13 & 14 INCLUDED.	

Sl. No.	DRAWING NUMBER	MATERIAL CODE	MATERIAL SPECIFICATION	SIZE	DIMENSIONS										
					MD	∅d1	∅d2	∅d3	L	S	E	K	X	WEIGHT	SIZE/RATING
01	3VL84122455 /03	964605240000	SA 193 B7 CERTIFY QUENCHED AND TEMPERED	M12x65x35	M12	11	23	24	65	35	12	2	3.5	0.215	250/300
02	3VL87322455 /03	964605250000		M16x85x45	M16	13	30	32	85	45	16	2	4	0.508	150/600
03	3VL85722455 /03	964605260000		M20x105x60	M20	17	36	38	105	60	20	2.5	5	0.77	300/300
04	3VL88922455 /03	964605270000		M20x110x60	M20	17	36	38	110	60	20	2.5	5	0.79	350/600
05	3VL84222455 /03	964605470000		M16x90x60	M16	13	30	32	90	60	16	2	4	0.601	250/300
06	3VL82522455 /03	964605480000		M10x55x35	M10	8	17	18	55	35	10	1.5	3	0.150	150/300
07	3VL79022455 /03	964607040000		M20x140x60	M20	17	36	38	140	60	20	2.5	5	0.77	800/150
08	3VP56022455 /00	964657040000		M20x150x60	M20	17	36	38	150	60	20	2.5	5	0.47	300/300
09	3VNH5122455/00	964654890000		M24x170x45	M24	26	37	45	170	45	25	2.5	5	0.7	400/300
10	3VNH5022455/00	964655110000		M24x195x50	M24	26	37	45	195	60	25	2.5	5	0.8	350/600



NOTES:

1. EYE BOLT SHOULD BE MADE OUT OF FORGING.
2. * PUNCH MATERIAL MARK "B7"
3. QUALITY REQUIREMENTS SHALL BE AS PER LATEST TDC:5:164
BLACKENING SHALL BE DONE INSTEAD OF CADMIUM PLATING

NO OFF	DESCRIPTION	MATL CODE	MATL SPECN	HEAT TREATMENT	SCRAP SORT	NET WT (kg)	GROSS WT (kg)	DRAWING No	ITEM No
--------	-------------	-----------	------------	----------------	------------	-------------	---------------	------------	---------

TYPE OF PRODUCT OR NAME OF CUSTOMER/PROJECT: QN

	BHARAT HEAVY ELECTRICALS LTD.,		DRN	NAME	SIGN	DATE	NO. OF VAR.
	UNIT: HIGH PRESSURE BOILER PLANT.		CHD	P.R.K.			
	TIRUCHIRAPALLI-620014.		APPD	S.C.S.			

DEPT VL	SCALE	WEIGHT (KG).	REFERENCE INFORMATION	NO. OF ITEMS
CODE 320	NTS		PT-40	

TITLE	CARD CODE	DRAWING NO.	REV
EYE BOLT	U 01	3-V-0000-22455	06

REV 06	DATE 12.12.12	ALTERED GANESH
		CHD & APPD MRAJAKUMAR
SL NO. 08 TO 10 INCLUDED		

CAUTION: The information on this document is the property of BHARAT HEAVY ELECTRICALS LTD. It must not be used directly or indirectly in any way detrimental to the interest of the company.



PLANT STANDARD

HPBP TIRUCHIRAPPALLI

BPS 41319

Rev. No. 03

PAGE 1 OF 2

NUTS FOR TEMPERATURE USE

(For medium of temperature upto 425 ° C)

1.0 SCOPE

Covers the requirements of hexagon nuts for use in medium of temperature upto 425 ° C and in the size range M8 to M45x3.

2.0 SPECIFICATION AND REFERENCE STANDARDS

Dimensions and preferred sizes	Fig 1 & Table 1 of this standard	
Tolerance	Product grade	A for nuts with $d \leq M16$ B for nuts with $d > M16$
	Indian Standard	IS 1367 (Part 2)
Thread	Pitch	Table 1 of this standards
	Tolerance	6H
	Indian Standard	IS 4218 (Part 3, 5 & 6)
Material	Steel to ASTM A 194 2H Certified	
Testing	The finished nut shall satisfy the requirements of hardness, proof load and cone proof load, tests as specified in ASTM A194	
General requirements	Nuts shall comply with TDC:5:166 in respect of requirements not covered in this standard, except for cadmium plating	

2.1 Referred standards (Only the relevant parts of current versions are applicable)

IS 1367 (Part 2)	Technical supply conditions for threaded steel fasteners
IS 4218 (Part,3,5 & 6)	ISO metric screw threads
TDC:5:166	Carbon steel nuts for OFE & other applications as per A 194 GR 2H/2HM
ASTM A194	Specification for carbon and alloy steel nuts for bolts for high pressure and high temperature service.

3.0 DESIGNATION

A Grade 'A' hexagon nut to this standard of thread size M8 shall be designated as :

3.1 On Drawings

i) Material Specification column	ASTM A 194 - 2H
ii) Description Column	NUT HEX GR A T425 M8
iii) Drawing Number Column	BPS 41319
iv) Material Code column:	4131900008

Revisions

Brought upto date

Approved

STANDARDS SECTION
CONTRACT ENGINEERING AND CO-ORDINATION
HPBP, TIRUCHIRAPPALLI

Rev. No. 03

Amd. No.

Reaffirmed

Prepared

Issued

Dt of 1st Issue

Dt. JUN 1997

Dt.

Year

STANDARDS

STANDARDS

DEC 1986

3.2 Ordering Description

For placing indents, issuing enquiries and on purchase order, Ordering Description given below shall be followed. (Typical examples)

Hex Nut M8 to BPS : 41319-A-ASTM A194-2H for nuts with $d \leq M16$

Hex Nut M20 to BPS : 41319-B-ASTM A194-2H for nuts with $d > M16$ and $d < M36 \times 3$

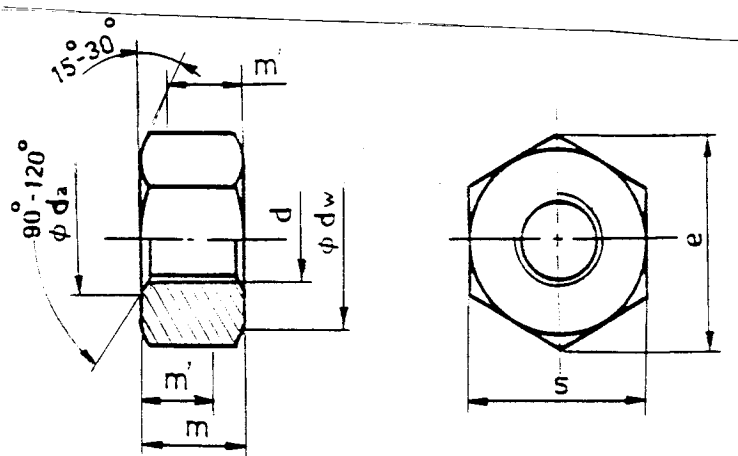
Hex Nut M36x3 to BPS: 41319-B-ASTM A194-2H for nuts with $d \geq M36 \times 3$

4.0 ADDITIONAL INFORMATION

4.1 Copies of this standard and TDC:5:166 shall be enclosed along with the purchase order.

Figure 1 DIMENSIONS FOR HEXAGON NUTS

(All dimensions are in millimetres)



'm' = Effective gauging height

TABLE 1

(All dimensions are in millimetres)

Thread Size d	d _a		d _w	e		m		m'	s		Weight
	Min	Max		Min	Max	Min	Max		Min	Max	
M8	8	8.75	11.6		14.38	8	7.64	6.1	13	12.73	6.0
M10	10	10.80	14.6		17.77	10	9.64	7.7	16	15.73	10.8
M12	12	13.00	16.6		20.03	12	11.57	9.3	18	17.73	16.5
M16	16	17.30	22.5		26.75	17.1	16.40	13.1	24	23.67	33.0
M20	20	21.60	27.7		32.95	20.7	19.40	15.5	30	29.16	64.5
M24	24	25.90	33.2		39.55	24.2	22.90	18.3	36	35.00	110.0
(M27)					45.20	27.6	26.30	21.0	41	40.00	166.0
M30	30	32.40	42.7		50.85	30.7	29.10	23.3	46	45.00	231.0
(M33)					55.37	33	31.40	25.1	50	49.00	299.0
M36x3	36	38.90	51.1		60.79	36.6	35.00	28.6	55	53.80	364.0
(M39x3)					66.44	39	37.40	29.9	60	58.80	485.0
(M45x3)				80.8		45	43.40	34.7	70	68.80	750.0

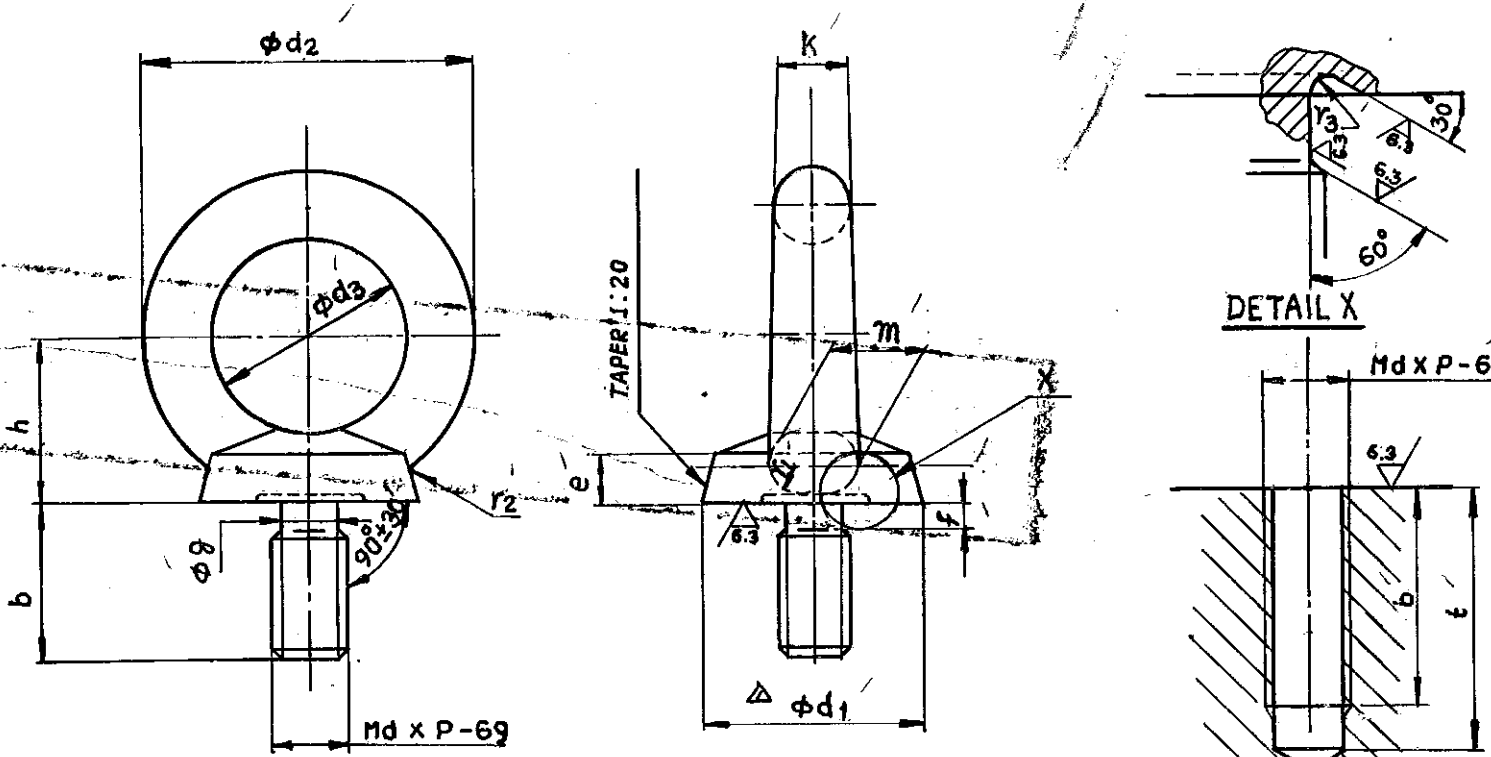
NOTE :

1. Sizes in brackets are non-preferred.
2. Weights are given in Kg per 1000 numbers only.

SL NO.	DRAWING NO.	COMP CODE.	DIMENSION														WT IN KG.	
			Md x P -69	b (Js15)	φd ₁ (Js16)	φd ₂ (Js16)	φd ₃ (Js16)	e	f	φg (h16)	h (Js16)	k (Js16)	m (Js16)	γ ₁	γ ₂	γ ₃		t
1.	3-V-1129-06620	96452542	M24	38.50	50.80	91.00	50.80	18	5	19.0	45.80	20.65	24.65	9	12	2	47	1.4
2.	3-V-1029-06620	96452543	M36x3	55.60	75.95	127.25	70.95	26	8	30.0	65.95	28.65	32.80	13	18	3	66	4.75
3.	3-V-1033-06620	96452998	M48x3	70.60	101.10	167.75	91.50	35	8	40.0	86.10	38.80	46.80	18	22	4	83	6.3
4.	3-V-L805-06620	96460529	M36x4	55.60	75.95	127.25	70.95	26	8	30.0	65.95	28.65	32.80	13	18	3	66	4.75
5.	3-V-L820-06620	96460530	M42x4.5	65.60	86.10	145.75	81.50	30	8	35.0	75.95	32.65	38.80	15	20	3	77	5.25
6.	3-V-L793-06620	96460695	M80x6	105.7	131.25	267.6	141.25	50	14	71	131.25	63.95	63.95	-	35	5	127	18.0
7.	3-V-L794-06620	96460696	M64x4	90.7	111.10	211.45	111.10	42	14	55.7	106.1	50.95	50.95	-	25	5	108	11.0
8.	3-V-L789-06620	96460794	M60x4	90.7	111.10	211.45	111.10	42	14	55.7	106.1	50.95	50.95	-	25	5	108	10.6

NOTES:

- EYE BOLT SHALL COMPLY WITH IS:4190 IN RESPECT OF REQUIREMENT NOT COVERED IN THIS DRAWING.
- MATERIAL: STEEL TO CLASS. 2 OF IS:1875
- OTHER REFERED STANDARDS:
 IS:1367-TECHNICAL SUPPLY CONDITIONS FOR THREADED STEEL FASTENERS.
 IS:1875 - SPECIFICATION FOR CARBON STEEL, BILLETS, BLOOMS AND SLABS FOR FORGINGS.
 IS:2614 - METHODS FOR SAMPLING OF FASTENERS.
 IS:4218-ISOMETRIC SCREW THREADS.
- TEST CERTIFICATE ACCORDING TO IS:4190, SHALL BE OBTAINED ALONGWITH EACH SUPPLY.



REV	DATE	ALTD:	MPS	MPS
04	27.3.97	CHD	APPD	DIS
SL. NO. 8 ADDED				

BHARAT HEAVY ELECTRICALS LTD.,
BOILER PLANT UNIT, TIRUCHIRAPALLI-14

FIRST ANGLE	SCALE	DRAWN	TOTAL NET WT. (kg)
	N.T.S.	R. Rajan	
		CHECKED	TYPE
		APPROVED	
ALL DIMENSIONS IN MILLIMETRES		DATE	NEW/OLD DRG. NO.

CAUTION
 THE INFORMATION CONTAINED IN THIS DRAWING IS THE PROPERTY OF BHARAT HEAVY ELECTRICALS LTD., BOILER PLANT UNIT, TIRUCHY-14 AND SHALL NOT BE USED WITHOUT THEIR EXPRESS WRITTEN PERMISSION IN ANY FORM OR PART THEREOF FOR ANY OTHER PURPOSE THAN FOR WHICH IT IS SENT TO YOU.

33-115

TITLE	REVISION
EYE BOLT (WITH COLLAR)	
DRAWING NO.	
3-V-0000-06620	

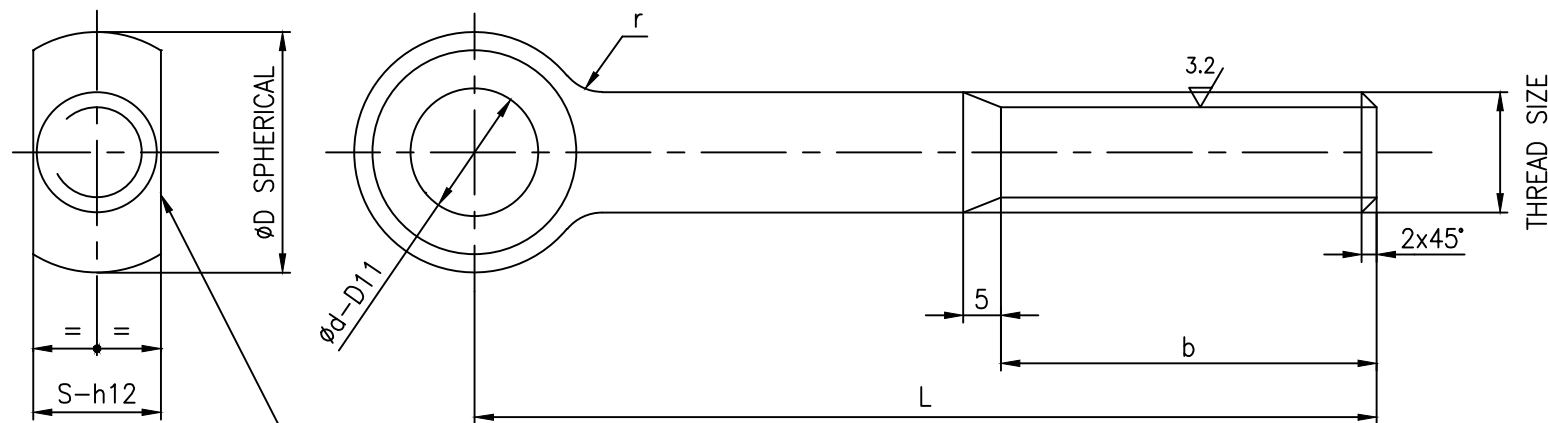
REV	DATE	ALTD:	MPS	MPS	REV	DATE	ALTERED R.L.	CHKD:
03	12.4.95	CHD	APPD	SCI	02	28.6.93	CHD	APPD
SL. NO. 6 & 7 INCLUDED		SL. NO. 4 & 5 INCLUDED		ZONE		φd ₁ WAS φd ₂ . DCN No. TA 0250		

3-V-0000-25684
DRAWING NO.

12.5 3.2

SL. No.	DRAWING NUMBER	MATERAIL CODE	MATL.SPECN.	THREAD SIZE	NET Wt.(kg)	DIMENSIONS						* MATL. MARK	APPLICABLE VALVES
						L	b	r	S-h12	ød-D11	øD		
01	3-V-0001-25684	96 465 773 0000	ASTM A193-B8M CL.2. CERTIFY	1/2"-13UNC-2A	0.061	50	30	6	14	13.5	25	B8M	2"-150C
02	3-V-0002-25684	96 465 774 0000		1/2"-13UNC-2A	0.07	60	30	6	14	13.5	25	B8M	2" & 3"/150C 3"/300C
03	3-V-0003-25684	96 465 775 0000		1/2"-13UNC-2A	0.08	75	40	6	14	13.5	25	B8M	3" & 4"-600C
04	3-V-0004-25684	96 465 776 0000		1/2"-13UNC-2A	0.09	90	30	6	14	13.5	25	B8M	2"-600C
05	3-V-0005-25684	96 465 777 0000		5/8"-11UNC-2A	0.16	75	38	6	17	17	32	B8M	4"/150C 4"/300C
06	3-V-0006-25684	96 465 771 0000		5/8"-11UNC-2A	0.18	90	38	6	17	17	32	B8M	6",8" & 12"/150C 6" & 8"-300C
07	3-V-0007-25684	96 465 778 0000		5/8"-11UNC-2A	0.20	100	38	6	17	17	32	B8M	10"/150C & 10"/300C
08	3-V-0008-25684	96 465 779 0000		5/8"-11UNC-2A	0.22	110	40	6	17	17	32	B8M	4"-900C
09	3-V-0009-25684	96 465 780 0000		5/8"-11UNC-2A	0.26	130	50	6	17	17	32	B8M	14",16" & 20"/150C
10	3-V-0010-25684	96 465 781 0000		5/8"-11UNC-2A	0.31	160	50	6	17	17	32	B8M	24"/150C
11	3-V-0011-25684	96 465 845 0000		5/8"-11UNC-2A	0.28	140	50	6	17	17	32	B8M	10"/300C

DIMENIONS	h12	D11
10 TO 18	0	+0.160
	-0.180	+0.050



PUNCH MATL.MARK *

NOTES:

1. EYE BOLT TO BE MADE OUT OF FORGING.

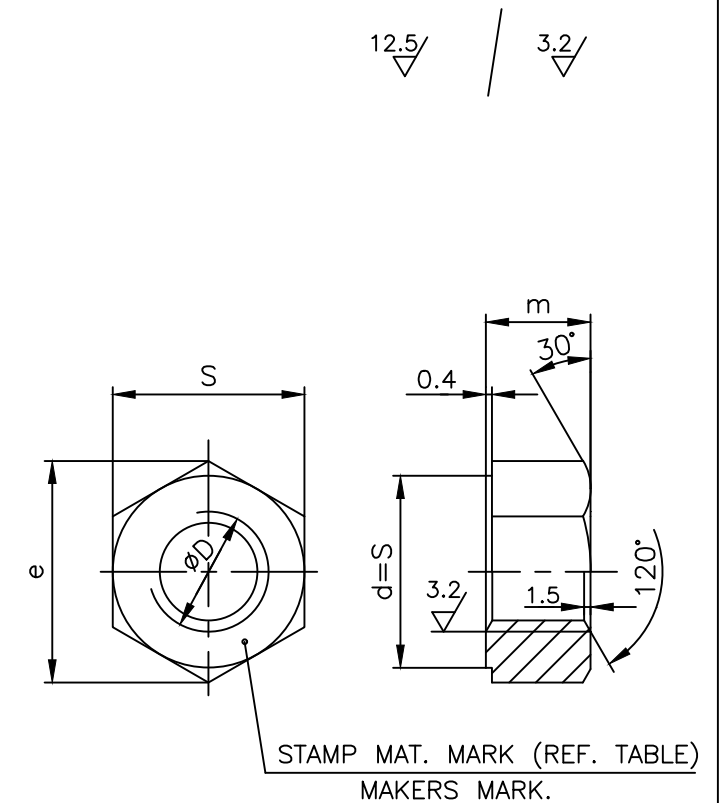
REV	DATE	ALTERED	R.P.SINGH	REV	DATE	ALTERED	T.SANGEETHA
02	07.07.18	CHD & APPD	SSK & KRS	01	22.05.17	CHD & APPD	SSK & KRS
SL. No. 11 INCLUDED				MATL.MARK B8M WAS B8			

CAUTION: The information on this document is the property of BHARAT HEAVY ELECTRICALS LTD. It must not be used directly or indirectly in any way detrimental to the interest of the company.

NO OFF	DESCRIPTION	MATL CODE	MATL SPECN	HEAT TREATMENT	SCRAP SORT	NET WT (kg)	GROSS WT (kg)	DRAWING No	ITEM No
TYPE OF PRODUCT OR NAME OF CUSTOMER/PROJECT									
BHARAT HEAVY ELECTRICALS LTD., UNIT: HIGH PRESSURE BOILER PLANT. TIRUCHIRAPALLI-620014.					DRN	R.ANITHA	SIGN	DATE	NO.OF VAR.
					CHD	S.SATHEESKUMAR		10.09.16	-
					APPD	K.RAJASEKARAN		10.09.16	-
DEPT	VL	SCALE		WEIGHT (KG).		REFERENCE INFORMATIONS			NO. OF ITEMS
CODE	320	NTS.		-		CAD:C325684			-
TITLE							CARD CODE	DRAWING NO.	REV
EYE BOLT							U 01	3-V-0000-25684	02

DRAWING NO. 3-V-0000-23249

SL. No.	DRAWING No.	COMP. CODE	MATL. SPECN.	S		e		m		øD	MATL. MARK	NET WT. (Kg.)
				MAX.	MIN.	MAX.	MIN.	MAX.	MIN.			
01	3-V-F522-23249/02	96 456 888 0000	ASTM A194 - Gr.7	36.52	35.41	42.16	40.37	22.47	21.16	7/8"-9 UNC -2B	GR.7	0.11
02	3-V-F523-23249/02	96 456 889 0000	ASTM A194 - Gr.7	31.75	30.78	36.65	35.10	19.25	18.03	3/4"-10 UNC -2B	GR.7	0.08
03	3-V-F524-23249/02	96 456 890 0000	ASTM A194 - Gr.7	41.28	40.01	47.65	45.62	25.70	24.28	1"-8 UNC -2B	GR.7	0.17
04	3-V-F525-23249/02	96 456 891 0000	ASTM A194 - Gr.7	50.80	49.23	58.65	56.11	31.78	30.15	1.1/4"-8 UN -2B	GR.7	0.27
05	3-V-F526-23249/02	96 456 892 0000	ASTM A194 - Gr.7	46.02	44.60	53.16	50.85	29.93	27.41	1.1/8"-8 UN -2B	GR.7	0.22
06	3-V-0001-23249	96 465 648 0000	ASTM A194 - Gr.8M	22.22	21.59	25.65	24.61	12.80	11.79	1/2"-13 UNC -2B	GR.8M	0.02
07	3-V-0002-23249	96 465 649 0000	ASTM A194 - Gr.8M	26.97	26.19	31.17	29.85	16.03	14.91	5/8"-11 UNC -2B	GR.8M	0.03
08	3-V-0003-23249	96 465 650 0000	ASTM A194 - Gr.8M	31.75	30.78	36.65	35.10	19.25	18.03	3/4"-10 UNC -2B	GR.8M	0.08
09	3-V-0004-23249	96 465 651 0000	ASTM A194 - Gr.8M	36.52	35.41	42.16	40.37	22.47	21.16	7/8"-9 UNC -2B	GR.8M	0.11
10	3-V-0005-23249	96 465 652 0000	ASTM A194 - Gr.8M	41.28	40.01	47.65	45.62	25.70	24.28	1"-8 UNC -2B	GR.8M	0.17
11	3-V-0006-23249	96 465 653 0000	ASTM A194 - Gr.8M	46.02	44.60	53.16	50.85	29.93	27.41	1.1/8"-8 UN -2B	GR.8M	0.22
12	3-V-0007-23249	96 465 654 0000	ASTM A194 - Gr.8M	50.80	49.23	58.65	56.11	31.78	30.15	1.1/4"-8 UN -2B	GR.8M	0.27
13	3-V-0008-23249	96 465 847 0000	ASTM A194 - Gr.2HM	22.22	21.59	25.65	24.61	12.80	11.79	1/2"-13 UNC -2B	GR.2HM	0.02
14	3-V-0009-23249	96 465 848 0000	ASTM A194 - Gr.2HM	26.97	26.19	31.17	29.85	16.03	14.91	5/8"-11 UNC -2B	GR.2HM	0.03
15	3-V-0010-23249	96 465 849 0000	ASTM A194 - Gr.2HM	31.75	30.78	36.65	35.10	19.25	18.03	3/4"-10 UNC -2B	GR.2HM	0.08
16	3-V-0011-23249	96 465 850 0000	ASTM A194 - Gr.2HM	36.52	35.41	42.16	40.37	22.47	21.16	7/8"-9 UNC -2B	GR.2HM	0.11
17	3-V-0012-23249	96 465 851 0000	ASTM A194 - Gr.2HM	41.28	40.01	47.65	45.62	25.70	24.28	1"-8 UNC -2B	GR.2HM	0.17
18	3-V-0013-23249	96 465 852 0000	ASTM A194 - Gr.2HM	46.02	44.60	53.16	50.85	29.93	27.41	1.1/8"-8 UN -2B	GR.2HM	0.22
19	3-V-0014-23249	96 465 853 0000	ASTM A194 - Gr.2HM	50.80	49.23	58.65	56.11	31.78	30.15	1.1/4"-8 UN -2B	GR.2HM	0.27
20	3-V-0015-23249	96 465 940 0000	ASTM A194 - Gr.8M	55.57	53.8	64.16	61.37	35.0	33.27	1.3/8"-8 UN -2B	GR.8M	0.42



NOTE:

- FOR QUALITY REQUIREMENTS REFER LATEST APPLICABLE QUALITY PROCEDURE.
- SUITABLE OIL PRESERVATIVE SHALL BE APPLIED.

-	-	-	-	-	-	-	-	-	-	-
NO OFF	DESCRIPTION	MATL CODE	MATL SPECN	HEAT TREATMENT	SCRAP SORT	NET WT (kg)	GROSS WT (kg)	DRAWING No	ITEM No	

CAUTION: The information on this document is the property of BHARAT HEAVY ELECTRICALS LTD. It must not be used directly or indirectly in any way detrimental to the interest of the company.

TYPE OF PRODUCT OR NAME OF CUSTOMER/PROJECT

BHARAT HEAVY ELECTRICALS LTD.,
UNIT: HIGH PRESSURE BOILER PLANT.
TIRUCHIRAPALLI-620014.

DRN	M.SRINIVASAN	SIGN	DATE	22.04.96	NO.OF VAR.
CHD	N.DHANAPAL			23.04.96	
APPD	A.VISWANATHAN			23.04.96	

DEPT VL 365-121

SCALE NTS

WEIGHT (KG) REF. TABLE

REFERENCE INFORMATION CAD: F323249

TITLE **HEX NUT**

CARD CODE U 01

DRAWING NO. **3-V-0000-23249**

REV **05**

REV	DATE	ALTERED	R.P.SINGH
05	03.03.21	CHD & APPD	SAMEER & SSK

SL. No. 20 INCLUDED.



Product: CARBON & ALLOY STEEL FASTENERS (STUDS, BOLTS & NUTS) FOR VALVES, OIL FIELD EQUIPMENT (OFE) AND OTHER APPLICATIONS

Revision Record: 00: 17.01.90: First issue. Rev: 01:21.06.90 Editorial corrections. Rev 02:21.04.91 TC for studs/bolts added. Rev 03: 04.04.96: Annexure I amended. CI 3.3.3 & 5.3 modified. Rev 04:20.10.96: NDT, Acid pickling added & re-written. Rev 05: 28.04.98: CI 3 modified to include MPI, certificate modified & CI 7.4 deleted. Rev 06:15.06.99: Title, CI 1 to 5 & 7.1 modified. CI 7.2 changed to CI 7.3. CI 7.3 changed to 7.4 and modified. CI 7.2 Galvanizing added. Test certificate sample format modified.
Rev 07: 15/06/2017: TDC: 5:166 for CS & AS Nuts has been merged with this TDC. Totally revised in line with changed requirements and Xylan coating requirements added.
Rev 08: 14/09/2019: CI 1.0, 2.0, 3.0, 4.0, 5.0 modified in line with API 6A 21st Ed 2018 Errata 1 and for better clarity.
Rev.09: 19/02/2021: Latest version of the referred Standards/Specifications indicated thoughtout TDC; CI.2.0 iid added; CI.4.1 added; Annexure-1 modified;
Rev.10: 25/08/2023: Latest version of the referred Standards/Specifications indicated though out TDC;

1.0 MATERIAL SPECIFICATIONS:

All the codes, standards, specifications, drawings & procedures, etc., referred in this TDC shall be of latest revision as on the date of Purchase Order, unless specified otherwise.

Studs/Bolts - Alloy Steel	:	ASME SA 193-23 /ASTM A 193-23 Gr B7, B7M & B16.
Nuts - Carbon Steel	:	ASME SA 194-23 /ASTM A 194-23 Gr 2H & 2HM
Alloy Steel	:	ASME SA 194-23 /ASTM A 194-23 Gr 4 & 7
Additional Requirements	:	As listed below (Supplementary to the above material specifications)
Size and Quantity	:	As per Purchase Order (PO) & Applicable Drawing

2.0 GENERAL REQUIREMENTS:

- i. This TDC is applicable for Valves, OFE (API 6A 21st Ed 2018 *Addendum 3* & API 16C 3rd Ed 2021 *Errata 2*) and other applications including NACE MR0175 *Ed. 2021* / ISO 15156 *Ed 2020* Parts 1, 2 & 3. The products shall be manufactured to the relevant requirements specified in the applicable drawings, specifications, PO & this TDC.
- ii. Studs / Bolts / Nuts used for OFE application:
 - a. Studs / Bolts / Nuts shall be qualified and manufactured in accordance with BSL 1 of API 20E. The qualification & requalification records as per API 20E Ed 2017 *Addendum 2 Errata 2* shall be maintained by the Supplier. The supplier shall prepare Manufacturing Process Specification(MPS) to include as a minimum allowable levels for all Studs/Bolts/Nuts manufacturing parameters including process control variables and heat treatment parameters as per API 20E Ed 2017 *Addendum 2 Errata 2* and this TDC.
 - b. Raw material shall be fully wrought. Reduction ratio based on starting material diameter shall be a minimum of 4:1. The steel shall conform to the respective material specifications. Intentional addition of Boron is not allowed. All elements intentionally added to the heat shall be reported in the Test Certificate.
 - c. Furnace calibration shall be in accordance with API 6A 21st Ed 2018 Annex M; SAE AMS 2750 *Rev.G*; or SAE AMS H6875 *Rev.C*. For induction or direct resistant heat treatment, calibration shall be in accordance with manufacturer's written procedure. For forging furnaces, calibration shall be in accordance with manufacturer's written procedure
 - d. Heat lot:
 - Batch furnace: bolting or raw material of a single heat and diameter, heat treated together as a single austenitizing, quenching, tempering, and stress-relieving charge.
 - Continuous furnace: bolting or raw material of a single heat and diameter heat treated without interruption in a continuous charge
- iii. Nuts shall be hot/cold forged or manufactured from hot rolled/cold drawn bars. If made from hexagonal bars, 100% MT is to be done on bars as per ASTM E709-21 to ensure freedom



Product: CARBON & ALLOY STEEL FASTENERS (STUDS, BOLTS & NUTS) FOR VALVES, OIL FIELD EQUIPMENT (OFE) AND OTHER APPLICATIONS

from surface/sub-surface defects.

- iv. Hot rolled & cold drawn bars, if used (for studs/bolts or nuts), shall be machined at least 2 mm (minimum) in radius (i.e. 4 mm in diameter) to remove the seams completely. After machining, at least 10% of the bars shall be tested by MPI as per ASTM E709-21 to ensure freedom from surface/sub-surface defects.
- v. Heat treatment of finished studs/bolts shall be carried as per the material specification requirements for corresponding grades. For heat treatment of finished components, salt bath or controlled atmosphere furnace shall be used. After heat treatment, the threads shall be thoroughly cleaned to remove all deposits. If acid pickling is done for cleaning, it shall be as per Cl. 6 (v) of this TDC.
- vi. Cadmium Plating (Cl 6 (i) of this TDC), Electroplating (Cl 6 (ii) of this TDC) and/or Xylan Coating (Cl 6 (iii) of this TDC) shall be done on the fasteners if specified in Drawing/PO. For all other cases, rust preventive coating (Cl 6 (iv) of this TDC) shall be done.

3.0 CHEMICAL, MECHANICAL PROPERTIES & NDE:

- i. Mill certificate from steel manufacturer for conformance to chemistry heat-wise shall be submitted. Additionally, product analysis shall be done on one sample/heat by the stud/bolt/nut manufacturer. Methods and practices for chemical analysis shall be in accordance with ASTM A 751-21.
- ii. The microstructure and macrostructure shall conform to the requirements of the respective material specifications.
- iii. **Tensile Testing for Studs/Bolts:** One tensile test/heat/size/ HT batch shall be carried out in the finished heat treated condition as per SA / A 193 and shall meet the material specification requirements for corresponding grades.
- iv. **Hardness Testing for Studs/Bolts:**

Hardness testing, including specimen preparation, shall be performed in accordance with ASTM A 370-22 including Annex A3, except that testing shall also be in conformance with ASTM E10-18 or ASTM E18-22.

- a) **For ASME SA 193-23 / ASTM A 193-23 Gr B7 & B16:** Hardness check shall be carried out on finished stud/ bolt as per ASME SA 193-23 / ASTM A 193-23, at least on 10% of the finished studs/bolts.


Gr B7: Hardness: 25 to 34 HRC or 253 to 319 HBW.
Gr B16: Hardness: 25 to 35 HRC or 253 to 321 HBW.

- b) **For ASME SA 193-23 / ASTM A 193-23 Gr B7M:**
Hardness check on 100% of studs/bolts as per SA193.
Gr B7M: Hardness: 94 to 99 HRB or 201 to 235 HBW.

- v. **Mechanical Testing for Nuts:**

- a) **For ASME SA 194-23 / ASTM A 194-23 Gr 2H, Gr 4, & Gr 7:**
Hardness check on finished nuts shall be as per ASME SA 194-23 / ASTM A 194-23 (including quantum of testing).
Gr 4: Hardness: 24 to 35 HRC or 248 to 327 HBW.
Gr 2H & Gr 7: Hardness: 24 to 34 HRC or 248 to 319 HBW.

- b) **For ASME SA 194-23 / ASTM A 194-23 Gr 2HM:**
Hardness check on 100% of finished nuts shall be carried out as per ASME SA 194-23 / ASTM A 194-23.
Gr 2HM: Hardness: 159 to 235 HBW.

	BHEL – Tiruchirappalli - 620014, India. Quality Assurance Department TECHNICAL DELIVERY CONDITIONS	DOC No: TDC:5:164 Rev: 10 Effective Date: 25/08/2023 Page: 3 of 6
	Product: CARBON & ALLOY STEEL FASTENERS (STUDS, BOLTS & NUTS) FOR VALVES, OIL FIELD EQUIPMENT (OFE) AND OTHER APPLICATIONS	

- c) **Proof load test shall be done as per ASME SA 194-23 / ASTM A 194-23 for all grades of nuts** and shall meet the requirements of corresponding grades of the material specification.
- d) After final heat treatment, sample nuts shall be heat treated as per Table 1 and meet the corresponding hardness requirements.

Table 1.

Grade	Temperature (°C)	Soaking Time (Hr)	Cooling	Minimum Hardness (HBW) at room temperature
2H	540	24	Slow Cool	179
2HM	540	24	Slow Cool	159
4, 7	590	24	Slow Cool	201

- e) **Cone Stripping Test:** This test shall be performed as per ASME SA 194-23 / ASTM A 194-23 in case of visible surface discontinuities. On such cases Proof load shall be as per ASME SA 194-23 / ASTM A 194-23.

vi. NDE:

Magnetic particle inspection shall be carried out as per ASTM E709-21 in at least 10% of the finished studs/bolts of all grades. Cracks, linear indications (length \geq 3 times its width) are unacceptable.

4.0 SAMPLING INSPECTION:

All inspection shall be in accordance with relevant drawing or BPS (Boiler Plant Standard), PO, this TDC and ASME SA 193-23 / ASTM A 193-23 for studs/bolts and ASME SA 194-23 / ASTM A 194-23 for nuts. The threads shall be checked with calibrated ring gauges for studs/bolts & plug gauges for nuts in the final heat treated condition for black variety and prior to final plated/coated condition for the cadmium plated/electroplated/ xylan coated items.

Visual, dimensional checks and their acceptance shall be as per applicable drawing and ASME SA 193-23 / ASTM A 193-23 for studs/bolts & ASME SA 194-23 / ASTM A 194-23 for nuts.

4.1 Gauging Requirements for Xylan along with Zinc Coated Fasteners

- i. Studs
 - a. No under sizing is allowed
 - b. Prior to Xylan and Zinc Coating, Class 2A Gauge to be used for inspection
 - c. After coating, No Gauge inspection is required
- ii. Nut
 - a. Under sizing is allowed to maximum of 0.2mm in the internal diameter of threads
 - b. Prior to under sizing, Class 2B Gauge to be used for inspection
 - c. After under sizing, a gauge having an allowance as per Class 2B along with 0.2mm under sizing allowance to be made and inspected thereof
- iii. Assembly of Stud and Nut
 - a. Free run of nut over stud to be ensured
 - b. No play is allowed
 - c. After free run of nut over stud, Xylan coating should not get peeled off.

5.0 MARKING & PACKING:

- i. Punch/emboss each finished component with applicable material grade (B7/ B7M/ B16 for studs/bolts; 2H/2HM/4/7 for nuts) and supplier's emblem. Studs/bolts of grade B7M and nuts of Gr 2HM shall have a line under the grade symbol.
- ii. Punch/emboss serial number also in B7M studs/bolts and Gr 2HM nuts in addition to the above, to correlate with hardness. Protect the threaded ends with plastic end caps. Pack in wooden box/ gunny bag of convenient size for easy handling and transportation. Mark quantity in each box/gunny bag.
- iii. In addition to the above, studs / Bolts / Nuts for OFE applications shall marked with unique heat lot identification and followed by "20E1". Each piece 1 in. nominal diameter and larger shall be



Product: CARBON & ALLOY STEEL FASTENERS (STUDS, BOLTS & NUTS) FOR VALVES, OIL FIELD EQUIPMENT (OFE) AND OTHER APPLICATIONS

marked. For studs / Bolts / Nuts less than 1 in. nominal diameter, the studs / Bolts / Nuts shall be securely containerized to maintain heat lot identification and traceability. Multiple heat lots shall not be mixed in a single container. Containers used in the processing, storing, and shipping of studs / Bolts / Nuts not individually marked shall be clearly labeled with all marking information required by the relevant material specifications and API 20E Ed 2017 Addendum 2 *Errata 2*.

6.0 SPECIAL REQUIREMENTS:

i. CADMIUM PLATING:

- a) Clean the fasteners to make them free from rust, grease, oil, scale, etc., before plating. When pickling is considered essential, it shall be done as per Cl 6 (v) of this TDC.
- b) Apply Cadmium Plating to the specified thickness on specified areas. Thickness shall be measured on 5% of the PO quantity of fasteners.
- c) After plating, bake the parts at 175°C to 205°C for a minimum period of 3 hours. The elapsed time between plating and baking shall not exceed 8 hours.
- d) Apply a Chromate Conversion coating after plating and baking.

ii. ELECTROPLATING OF ZINC CHROMATE:

- a) Clean the fasteners to make them free from rust, grease, oil, scale, etc., by suitable organic solvents/ hand tool methods before electroplating. Then, pickling shall be done as per Cl 6 (v) of this TDC.
- b) The fasteners shall then be electroplated as per the method and to the minimum coating thickness specified in the applicable drawing. Thickness shall be measured on 5% of the PO quantity of fasteners.
- c) All electroplated parts (regardless of strength level) shall be baked within 2 hours after plating at 375 °F–425 °F (191 °C–218 °C) for 8 hours minimum at temperature

iii. XYLAN COATING:

- a) Clean the fasteners by blast cleaning to Sa2.5 to make them free from rust, grease, oil, scales, etc., before xylan coating.
- b) The fasteners shall then be xylan coated as per the requirements and to the minimum coating thickness specified in the applicable drawing.

c) Tests for Xylan Coating:

The following test shall be carried out on Xylan coated fasteners and results to be reported in the Test certificate (in addition to the Test Certificate for the fastener material and other inspections requirements):

i) Thickness measurement:

Dry film thickness of Xylan coating to be measured using a magnetic induction or Eddy current type electronic gauge and the reading shall meet the drawing/PO requirement for thickness of coating of Xylan 1070. The thickness measurements shall be made in accordance with ASTM D7091-22. Thickness shall be measured on 5% of the PO quantity of fasteners.

ii) Cure Test:

This test method is for ensuring the completeness of cure of Xylan 1070 coating by evaluating the resistance of the cured coating to a solvent known to attack uncured film. The testing method shall be as per Whitford test method 115B (as recommended by the Xylan coating supplier).

Acceptance criteria: No white precipitate or stain shall be available after the test.

iii) Adhesion Test using Cross-hatch and Cello Tape:

Test as per ASTM D3359-23 Method B for measuring Adhesion by Tape Test.

Acceptance Criteria: No loss of adhesion (5B Classification).

iv) Salt Spray Test:

Xylan coated fasteners should pass a minimum requirement of 500 hours of salt spray test as per ASTM B117-19. Certificate of compliance for meeting the salt spray test requirements shall be provided.



Product: CARBON & ALLOY STEEL FASTENERS (STUDS, BOLTS & NUTS) FOR VALVES, OIL FIELD EQUIPMENT (OFE) AND OTHER APPLICATIONS

iv. RUST PREVENTIVE FLUIDS/COATING REQUIREMENTS:

- Clean the fasteners to make them free from rust, grease, oil, scale, etc., by hand tool/ manual cleaning method.
- Apply one coat of rust preventive fluid, of any of the following brands of the suppliers (Table 2), to obtain dry film thickness of 20 microns minimum:

Table 2. Rust Preventive Fluid/Coatings Brands

SI No	Brand/Chemical	Supplier Name and Address
1	BONITA-RPF	M/s Bonita Chemicals, 64, Industrial Estate, Nunhai, Agra-282 006
2	CHAMPION-RPF	M/s Guardian Chemicals, 8, Rajaji Ind st, West Lake Area, Nungambakkam, Madras-600 034
3	ECONOL RPF (non-drying type)	M/s Process Aids, Bangalore
4	TECTYL 506	M/s Plastipeel Chemicals and Plastics (P) Ltd, Thane-400 604
5	TRPF	M/s Sundaram Paints Pvt. Ltd., Thanjavur-613 004
6	TRPF	M/s Solar Paints, Pudukkotai.
7	WICOR-P	M/s Western India Paint and Color Co P. Ltd, Madras-600 017

Use of any other brand/chemical shall be done with the prior approval of BHEL.

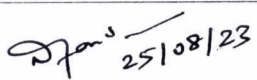
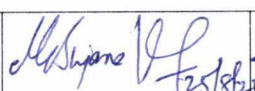
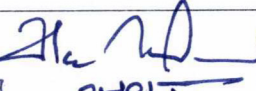
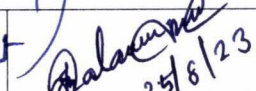
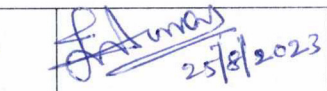
v. ACID PICKLING:

- Wherever pickling done, it shall be done using Hydrochloric acid of 5-10% concentration for a period of 5 to 10 minutes at room temperature with suitable inhibitor.
- After pickling thorough rinsing shall be carried out with water to remove acid residues & further DM water rinsing. After thorough rinsing with DM water, the rinsing shall not show any red color (free acidity) when tested with methyl orange indicator.

7.0 CERTIFICATION:

The manufacturer shall provide Test Certificates (TC) duly countersigned by the Authorized Inspecting Authority nominated by BHEL in P.O. (if specified) along with raw material TC from Steel Maker. The applicable versions of the referred Codes, Standards and Specifications shall be reported in the Test Certificates and NDE reports. Manufacturer's TC shall contain the following details as per the sample format attached as Annexure-1 to this TDC:

- BHEL PO No & PO Date
- Technical Delivery Condition (TDC) No & its Revision No, Drawing & its revision no
- Melt/Heat No, Serial No (if applicable)
- Raw Material TC Number and Date
- Chemical and Mechanical properties for Studs/Bolts and Nuts including the location and orientation of test specimens
- Heat treatment details (temperature, time, cooling medium, etc.)
- NDE reports with NDE Personnel qualification records, all relevant NDE operating parameters and NDE Results with reference and acceptance criteria
- Type of Surface coating & its coating thickness – Cadmium Plating, Chromate conversion coating, Electroplating, Xylan Coating, Rust preventive coating, etc.
- Test methods and results on Xylan Coating
- Baking details for cadmium plating, electroplating & Xylan coating
- Manufacturers' identification mark
- Certify soundness & confirmation to PO requirements.

 25/08/23	 25/8/23	 25/8/23	 25/8/23	 25/8/2023
N Nagamuthu Pandian	Mallema Sujana Vinod	Venkateswaru Ala	M Balamurugan	J V V Aruna Kumar
Manager/QA	SM / Valves Engg	Manager/RM QC	SM / Valves/Purchase	AGM / QA&BE
Prepared By	Reviewed By			Approved By



Product: CARBON & ALLOY STEEL FASTENERS (STUDS, BOLTS & NUTS) FOR VALVES, OIL FIELD EQUIPMENT (OFE) AND OTHER APPLICATIONS

Annexure-1. Test certificate for Studs/Bolts & Nuts– Sample format

TC No:	Date:
Customer :	PO No./ Amd :
TDC No./Rev.:	DC No. :
Product :	Drg. No./Rev :
Description : (Spec, dia, pitch, length)	Thread Spec. :
Quantity :	
<u>Requirement</u> :	<u>Records/ Observation</u>
Size of bar - Before machining :	
- After machining :	
Type of furnace used for hardening :	

TDC Clause no.	Raw Material mill TC No: Melt/Heat Number:	TC Date: Reduction Ratio:
2.0 & 3.0	a) Heat Treatment Details:	
	Hardening Temperature: °C; Soaking time: Cooling Medium: Tempering Temperature: °C; Soaking time: Cooling Medium:	
3.0	b) Additional Tempering for Nuts (after final tempering):	
	Temperature: °C; Soaking time: Cooling Medium:	
	a) Product analysis for chemistry	
	Report No & Date:	
	Spec	C Mn P S Si Cr Mo V Ni Others
	Min.	
	Max.	
	Actual	
	b) Tensile test after H & T and final drying (Finished heat treated condition) – For Studs/Bolts	
		UTS (MPa)
Reqd/Spec Value		%Elongation
Test result		%Red in Area
	Spec Value	Test result
	Remarks	
	c) Hardness Test Result (for Studs/Bolts, Nuts):	
	d) Hardness Test Result (for Nuts after 24 hrs of tempering):	
	e) Proof load (kN) for nuts & result	
	f) Result of Cone Stripping test for nuts	
	g) NDE Result for Studs/Bolts:	
4.0	Visual and dimensional checking as per applicable drawing for studs/bolts & nuts:	
5.0	Punching details (identification): End cap for threaded portion:	
6.0	a) Type of coating: Cadmium Plating /Chromate Conversion / Electroplating/ Xylan /Rust preventive coating (Tick applicable coating)	
	Coating thickness/DFT:	
	b) Tests for Xylan Coating	Results
	c) Pickling Acid:	Concentration:
	Drying after pickling. Temperature: °C; Soaking time:	
This is to certify that the above results are correct and the parts meet specification and PO requirements.		
Signature with date Supplier: In-charge of Quality		Signature with date BHEL / Authorized Inspection Agency

Note: Additional Sheets may be attached, if required.



भारत हेवी इलेक्ट्रिकल्स लिमिटेड

(भारत सरकार का उपक्रम)

इंडस्ट्रियल वाल्वस प्लांट

Bharat Heavy Electricals Limited

(A Govt. of India Undertaking)

Industrial Valves Plant

Quality Assurance Plan for Fasteners*:

NUT, BOLT (INCL EYE BOLT, LIFTING EYE BOLT), STUD

BHE:QAP:FAS:02

Dt:15.03.2019

SN	Stage of inspection	Inspection type		Ref doc	Quantum of check	Format of Record	Agency	
							M	BHEL/TPIA
1	Raw material	Chemical/Mechanical properties		Material test certificate	100%	MTC report	V	V
2	Finished product	Chemical Analysis	Chemical composition	Material specification in drg	one sample per heat	Annex 1 of TDC	P	W
		Mechanical Properties	Tensile strength	Material specification in drg	one sample per heat	Annex 1 of TDC	P	W
			Mechanical testing for nut		10% or 20 nos hardness check at manufacturer end, one sample each type per heat for TPIA or BHEL**			
			Hardness					
		Dimension	As per drawing, Thread with GO/ NO GO Gauge	Material drg/BPS	10% or 20 nos/type.	Inspection report	P	P
		Visual	Free from burrs, physical damages		100%	Annex 1 of TDC	P	P
		MPI	ASTM E709	As per procedure	10% or 20 nos/type.	MPI report	P	W
Marking/Identification	Material grade/supplier name or symbol	As per PO/Drawing/TDC	10%	Annex 1 of TDC	P	W		

Vid
15/03/19
(MKS/WH)

S. R. Kanungo
15/03/19
(S. R. Kanungo)

S. R. Kanungo
15/03/19
S. R. Kanungo



भारत हेवी इलेक्ट्रिकल्स लिमिटेड

(भारत सरकार का उपक्रम)

इंडस्ट्रियल वाल्वस प्लांट

Bharat Heavy Electricals Limited




(A Govt. of India Undertaking)

Industrial Valves Plant

3	Rust preventive oil		As per TDC:5:164	100%	Annex 1 of TDC	P	W
	Packing	Packed in wooden/cardboard box with layer to layer cushioning material.		10%	Annex 1 of TDC	P	W
	Test certificate	MTC			Annex 1 of TDC	P	V

M-Manufacturer, V-Verification, W-Witness, P-Perform

- * QAP IS PREPARED TO MEET REQUIREMENT OF TDC:5:164 (latest),.PLS REFER IT, IN CASE OF AMBIGUITY ARISES.
- ** TPIA/BHEL MAY INCREASE SAMPLE QTY UP TO 10%.

 Vikas Kumar Sr. Engr / QM Prepared	 Samir Shandilya Sr Mgr/ QM &HSE Reviewed	 S R Kenny AGM/QM, HSE, Engg, TEC & SM) Approved
---	---	--



भारत हेवी इलेक्ट्रिकल्स लिमिटेड
 (भारत सरकार का उपक्रम)
इंडस्ट्रियल वाल्वस प्लांट
Bharat Heavy Electricals Limited
 (A Govt. of India Undertaking)
Industrial Valves Plant

Standard Quality Assurance Plan for Stainless steel fasteners

BHE:SQAP:SS:01

Dt:12.08.2021

SN	Stage of inspection	Inspection type		Ref doc	Quantum of check	Format of Record	Agency	
							M	BHEL/TPIA
1	Raw material	Chemical/Mechanical properties		Material test certificate	100%	MTC report	V	V
2	Finished product	Chemical Analysis	Chemical composition (for both stud and nut)	Material specification in drawing/PO	one sample per heat	Chemical Test Report	P	W
		Mechanical Properties	Tensile strength	Material specification in drawing/PO	one sample per heat	Mechanical Test Report	P	W
			Yield strength/Proof Load (for both stud and nut)		one sample per heat			
			Elongation		one sample per heat			
			Reduction of area		one sample per heat			
			Hardness (for both stud and nut)		10% or 20 nos.			
Dimension	As per drawing, Thread with GO/ NO GO Gauge (for both stud and nut)	Material drg/BPS	10% or 20 nos/type whichever is lower.	Inspection report	P	P		

अमनप्रीत सिंह / Amanpreet Singh
 उप प्रबंधक / Dy. Manager (QM)
 भारत हेवी इलेक्ट्रिकल्स लिमिटेड
 Bharat Heavy Electricals Limited
 (A Govt. of India Undertaking)
 इंडस्ट्रियल वाल्व प्लांट / Industrial Valves Plant
 गोइंदवाल साहिब / Goindwal Sahib (Tarn Taran District)

Manvir Singh
 Sr. Manager (QM)
 BHEL, IVP, Goindwal

(Signature)



भारत हेवी इलेक्ट्रिकल्स लिमिटेड
 (भारत सरकार का उपक्रम)
इंडस्ट्रियल वाल्वस प्लांट
Bharat Heavy Electricals Limited
 (A Govt. of India Undertaking)
Industrial Valves Plant

		Heat Treatment	-----	Material specification in drawing/PO	100%	Heat Treatment Report	P	V
		Visual	Free from burrs, physical damages		100%		P	P
		Marking/Identification	Material grade and supplier name or symbol	As per PO/Drawing/Applicable Standard	10%		P	W
3		Packing	Packed in wooden/cardboard box with layer to layer cushioning material.	As per PO/Drawing/Applicable Standard	10%		P	W

M-Manufacturer, V-Verification, W-Witness, P-Perform

- QAP IS PREPARED TO MEET REQUIREMENT OF ASTM 193 & ASTM 194 (Latest Revisions), PLS REFER IT, IN CASE OF AMBIGUITY ARISES.
- TPIA/BHEL MAY INCREASE SAMPLE QTY UP TO 10%.

 अमनप्रीत सिंह / Amanpreet Singh उप प्रबंधक / Dy. Manager (QM) भारत हेवी इलेक्ट्रिकल्स लिमिटेड Bharat Heavy Electricals Limited (A Govt. of India Undertaking) इंडस्ट्रियल वाल्वस प्लांट / Industrial Valves Plant गोंदवाल साहिब / Goindwal Sahib (Dist. Jalandhar)	 Manvir Singh Sr. Manager (QM) BHEL, IVP, Goindwal	
Amanpreet Singh Dy. Manager / QM	Manvir Singh Sr Mgr/ QM & BE	S R Kenny AGM/QM & BE
Prepared	Reviewed	Approved



Bharat Heavy Electricals Limited
Industrial Valves Plant
Goindwal Sahib (Punjab)

Enquiry No.
2324-060E

Date:
08.12.2023

NOTICE INVITING TENDER (NIT)

Dear Sir / Madam,

BHEL Goindwal Sahib (Punjab) invites offers from interested bidders / suppliers for submission of their offer through e-procurement mode at <https://eprocurebhel.co.in/>. Offers in any other mode will not be accepted. In case of any difficulty faced while registering on BHEL's e-Procurement portal developed by NIC, queries may be addressed to 0120-4001002, 0120-4001005 and 0120-6277787; email: support-eproc@nic.in. These details are also available on 'Contact Us' page of the portal.

Tender enquiry no. & date	2324-060E dated 08.12.2023
Form of contract	Supply
Tender / Item description	Eyebolts and Nuts
Material standard / Drawings	As per attached TDC(s) and Drawings
Location(s) of Supply / Work	BHEL, IVP Goindwal, Punjab – 143422, India.
Earnest Money Deposit (EMD)	Not Applicable
Performance Security (PS)	Applicable (Refer Sr. no. 4 of GCC of tender terms)
Quotation parts	Two Part Bid
Tender download / Bid submission start date	08.12.2023 (17:00 Hrs. IST)
Tender download / Bid submission end date	19.12.2023 (12:00 Hrs. IST)
Tender / Bid opening date	19.12.2023 (15:30 Hrs. IST)
Validity of offer (In days)	75 days from techno commercial bid opening (Part I)
Quantity variation	+/- 10% of tender quantity
Delivery schedule	Within 90 days from the date of PO placement / LOI
Tender evaluation	Item Wise as detailed in Special Terms and Conditions
Reverse auction	Not applicable
MSE reserved	Items are reserved for MSE Manufactures
Contact person details	Sumeet Bansal, Sr. Manager 01859-224 628, sbansal@bhel.in Pranshu, Dy. Manager 01859-224 685, pranshu@bhel.in

PART-I (TECHNO-COMMERCIAL BID)

(To be filled by bidder & submit with offer as pdf file only)

Tender Enquiry No. & Date**2324-060E Dt. 08.12.2023****Tender Description****Supply of Eyebolts and Nuts**

Bidder must note following points:

1. This workbook is protected, except for cells where comments / confirmation is to be given by bidder.
2. Bidder is advised not to unprotect / tamper the sheet / alter the terms mentioned in the sheet.
3. Any alteration to terms mentioned by BHEL will be considered as tampering and bidder's offer shall be liable for rejection.
4. Bidders are advised to only fill the unprotected cells (shaded cells) by dropdown or writing the comments as applicable as their confirmation. **Bidders are advised to submit duly filled & signed 'PDF' file as techno-commercial (Part-I) bid**. Failure on the part of bidder in not returning this duly filled-up techno-commercial bid and / or submitting incomplete replies may lead to rejection of bidder's quotation.
5. All the commercial terms and conditions shall be indicated by vendor in this format only and nowhere else in his quotation. However, in case the space for vendor's reply is not sufficient against a particular question, the vendor shall furnish same by way of separate annexure / sheet attached to this questionnaire, indicating cross-reference of respective clauses.

BIDDER'S DETAILS

Sr. No.	Elements	Remarks
1	Name of the Firm / Company	
2	Registered Address	
3	Quotation reference no. & date	
4	Contact person Details	
	Name / Designation	
	Contact Number	
	Email ID (can be more than one)	
6	Bidder Type (Indian / Foreign):	
7	Type of Ownership	Select from drop down list
8	Company's Nature of Business	Select from drop down list
9	Year of commencement of Business	
10	PAN No.	
11	GST No.	
12	Whether company is registered under MSMED Actr 2006 as Micro / Samll / Medium Enterprise category. <i>(If yes, please attach valid certificate as per latest MSME guidelines)</i>	Yes (Valid Certificate attached) If yes, mention UDYAM registration number Here

TECHNICAL CONDITION DETAIL

Sr. No.	Elements	Response	Remarks
1	Technical : Supply of Eyebolts and Nuts as per tender documents (if selected 'Accepted with deviation', please mention the deviation clearly)	Select from drop down list	

COMMERCIAL CONDITIONS & DETAILS

Sr. No.	Elements	Response	Remarks (if any)
1	Delivery term: FOR BHEL IVP Goindwal (refer tender terms & conditions)	Select from drop down list	
2	IGST supply (%)	Select from drop down list	
3	SGST supply (%)	Select from drop down list	
4	CGST supply (%)	Select from drop down list	
5	Validity: 75 days from techno commercial bid opening. (refer tender terms & conditions)	Select from drop down list	
6	Delivery period: Within 90 days from placement of PO / LOL. (refer tender terms & conditions)	Select from drop down list	
7	Self Declaration by Bidder : It is hereby declared that Bidder is 'manufacturer of Fasteners' (Refer special terms S2.1)	Select from drop down list	
8	Documents regarding Purchase Order/s of 'Fasteners' from any customer with minimum cumulative value of Rs. 1,00,000 along with the corrsponing invoice (Refer special terms S2.2)	Select from drop down list	

PART-I (TECHNO-COMMERCIAL BID)

(To be filled by bidder & submit with offer as pdf file only)

Tender Enquiry No. & Date

2324-060E Dt. 08.12.2023

Tender Description

Supply of Eyebolts and Nuts

Bidder must note following points:

1. This workbook is protected, except for cells where comments / confirmation is to be given by bidder.
2. Bidder is advised not to unprotect / tamper the sheet / alter the terms mentioned in the sheet.
3. Any alteration / terms mentioned by BHEL will be considered as tampering and bidder's offer shall be liable for rejection.
4. **Bidders are advised to only fill the unprotected cells (shaded cells) by dropdown or writing the comments as applicable as their confirmation. Bidders are advised to submit duly filled & signed 'PDF' file as techno-commercial (Part-I) bid'. Failure on the part of bidder in not returning this duly filled-up techno-commercial bid and / or submitting incomplete replies may lead to rejection of bidder's quotation.**
5. All the commercial terms and conditions shall be indicated by vendor in this format only and nowhere else in his quotation. However, in case the space for vendor's reply is not sufficient against a particular question, the vendor shall furnish same by way of separate annexure / sheet attached to this questionnaire, indicating cross-reference of respective clauses.

9	<p><u>Performance Security (PS) :</u> For Total PO value placed through this tender is less than or equal to Rupees one lakh : Not Applicable. For Total PO value placed through this tender is greater than Rupees one lakh : PS @5% of PO value to be submitted within 21 days from the date of PO. (Refer Clause 4 of General Contract Conditions (GCC)).</p>	Select from drop down list					
10	Breach of contract, Remedies and Termination (Refer Clause 5 of General Contract Conditions (GCC)).	Select from drop down list					
11	Conflict of Interest among Bidders / Agents (Refer clause no. 8 of General Contract conditions (GCC))	Select from drop down list					
12	LD clause: Penalty for late delivery will be applicable @ 0.5% per week or part thereof subject to a maximum of 10.0 %. (Refer Clause 12 of General Contract Conditions (GCC)).	Select from drop down list					
13	Payment term: (Refer clause no. 14 of General Contract conditions (GCC))	Select from drop down list					
14	Warranty Period: Supplier shall give a warrantee for a period of 19 months from the date of receipt. In case of non-acceptance of this term bid will be rejected. (Refer clause no. 18 of GCC)	Select from drop down list					
15	Please attach valid MSE certificate latest MSME Guidelines (Refer clause no. 26 of GCC)	Select from drop down list					
16	<table border="1" style="width: 100%;"> <tr> <td style="width: 20%;">Make in India (MII) (Refer clause no. 27 of GCC)</td> <td>Local Content Declaration</td> </tr> <tr> <td></td> <td>Details of location at which local value addition will be made is as follows:</td> </tr> </table>	Make in India (MII) (Refer clause no. 27 of GCC)	Local Content Declaration		Details of location at which local value addition will be made is as follows:	Select from drop down list	
Make in India (MII) (Refer clause no. 27 of GCC)	Local Content Declaration						
	Details of location at which local value addition will be made is as follows:						
17	<table border="1" style="width: 100%;"> <tr> <td style="width: 20%;">Certificate regarding Restrictions Under Rule 144(XI) of The GFR, 2017 (Refer clause no. 28 of GCC)</td> <td>I have read the clause regarding restrictions on procurement from a bidder of a country which shares a land border with India; I certify that this bidder is not from such a country or, if from such a country, has been registered with the Competent Authority. I hereby certify that this bidder fulfils all requirements in this regard and is eligible to be considered.</td> </tr> </table>	Certificate regarding Restrictions Under Rule 144(XI) of The GFR, 2017 (Refer clause no. 28 of GCC)	I have read the clause regarding restrictions on procurement from a bidder of a country which shares a land border with India; I certify that this bidder is not from such a country or, if from such a country, has been registered with the Competent Authority. I hereby certify that this bidder fulfils all requirements in this regard and is eligible to be considered.	Select from drop down list			
Certificate regarding Restrictions Under Rule 144(XI) of The GFR, 2017 (Refer clause no. 28 of GCC)	I have read the clause regarding restrictions on procurement from a bidder of a country which shares a land border with India; I certify that this bidder is not from such a country or, if from such a country, has been registered with the Competent Authority. I hereby certify that this bidder fulfils all requirements in this regard and is eligible to be considered.						
18	Firm Price: The quoted / finalised rates shall be firm till execution of the supplies.	Select from drop down list					
19	I have thoroughly gone through the attached tender terms & conditions and understood the above techno-commercial requirements	Select from drop down list					
20	Rates quoted are net of taxes & FOR BHEL IVP Goindwal basis	Select from drop down list					
21	If there is any deviation in reference to any of the tender term, kindly mention it HERE only. Deviation specified elsewhere, will not be considered.	Select from drop down list					

Item detail

Item Sl. no.	Material Code	Description	Qty in no	Quoted / not quoted
1	964566790000	EYE BOLT - 1 By 2 inch x 75 -B7-F503	1,000	Select from drop down list
2	964562790000	NUT - 1 By 2 inch -2H-N073	1,000	Select from drop down list

PART-I (TECHNO-COMMERCIAL BID)

(To be filled by bidder & submit with offer as pdf file only)

Tender Enquiry No. & Date**2324-060E Dt. 08.12.2023****Tender Description****Supply of Eyebolts and Nuts**

Bidder must note following points:

1. This workbook is protected, except for cells where comments / confirmation is to be given by bidder.
2. Bidder is advised not to unprotect / tamper the sheet / alter the terms mentioned in the sheet.
3. Any alteration to terms mentioned by BHEL will be considered as tampering and bidder's offer shall be liable for rejection.
4. Bidders are advised to only fill the unprotected cells (shaded cells) by dropdown or writing the comments as applicable as their confirmation. **Bidders are advised to submit duly filled & signed 'PDF' file as techno-commercial (Part-I) bid**. Failure on the part of bidder in not returning this duly filled-up techno-commercial bid and / or submitting incomplete replies may lead to rejection of bidder's quotation.
5. All the commercial terms and conditions shall be indicated by vendor in this format only and nowhere else in his quotation. However, in case the space for vendor's reply is not sufficient against a particular question, the vendor shall furnish same by way of separate annexure / sheet attached to this questionnaire, indicating cross-reference of respective clauses.

3	964562630000	EYE BOLT-1/2"x60 -B7-N073	500	Select from drop down list
4	964562790000 (Same as Sr. No. 2)	NUT -1/2" -2H-N073	500	Select from drop down list
5	964654890000	EYE BOLT M24X170	100	Select from drop down list
6	413190002400	Hex Nut Gr B M24 T425 BPS 41319	100	Select from drop down list
7	412290001200	LIFT EYE BOLT-M12 -CL3-IS4190-400KGS	2,000	Select from drop down list
8	412290002000	LIFT EYE BOLT-M20 -CL3-IS4190-1T	100	Select from drop down list
9	964605290000	LIFT EYE BOLT-M36x4 CL2-L805-4T	100	Select from drop down list
10	964657750000	EYE BOLT-1/2"x75 -B8M-0003	300	Select from drop down list
11	964656480000	HEX NUT-1/2"-13UNC-2B-GR.8M	300	Select from drop down list
12	964657770000	EYE BOLT-5/8"x75 -B8M	100	Select from drop down list
13	964656490000	HEX NUT-5/8"-11UNC-2B-GR.8M	100	Select from drop down list
14	964657710000	EYE BOLT-5/8"x90 -B8M	100	Select from drop down list
15	964656490000 (Same as Sr. No. 13)	HEX NUT-5/8"-11UNC-2B-GR.8M	100	Select from drop down list
16	964657790000	EYE BOLT - 5 By 8 inch x 110 -B8M	100	Select from drop down list
17	964656490000 (Same as Sr. No. 15)	HEX NUT - 5 By 8 inch -11UNC-2B-GR8M	100	Select from drop down list

We further, confirm that we have quoted the rates in the tender considering Inter-alia the

1. Tender Document(s)
2. Additional Document(s) (if any)
3. BOQ Document (Price Bid Format-Part-II)
4. Corrigendum (if any)
5. Pre Bid Meeting Minutes (if any)

We hereby certify that we have fully read and thoroughly understood the tender requirements and accept all terms and conditions of the tender including all corrigendum/addendum issued (if any). Our offer is in confirmation to all the terms and conditions of the tender including all corrigendum/addendum (if any) and minutes of the pre-bid meeting (if any). In the event our offer is found acceptable and Order is placed /Contract is awarded to us, the complete tender document shall be considered for constitution of Order / Contract Agreement.

[Validate](#)[Print](#)[Help](#)

Item Wise BoQ

Tender Inviting Authority: BHEL IVP Goindwal Sahib

Name of Work: Supply of Eyebolts and Nuts

Contract No: 2324-060E Dated 08.12.2023

Name of the Bidder/ Bidding Firm / Company :	
--	--

PRICE SCHEDULE

(This BOQ template must not be modified/replaced by the bidder and the same should be uploaded after filling the relevant columns, else the bidder is liable to be rejected for this tender. Bidders are allowed to enter the Bidder Name and Values only)

NUMBER #	TEXT #	TEXT #	NUMBER #	TEXT #	NUMBER #	NUMBER #
Sl. No.	Item Description	Item Code / Make	Quantity	Units	BASIC RATE In Figures To be entered by the Bidder in Rs. P	TOTAL AMOUNT excluding taxes in Rs. P
1	EYE BOLT - 1 By 2 inch x 75 -B7-F503	964566790000	1000	No.		0.00
2	NUT - 1 By 2 inch -2H-N073	964562790000	1000	No.		0.00
3	EYE BOLT-1/2"x60 -B7-N073	964562630000	500	No.		0.00
4	NUT -1/2" -2H-N073	964562790000 (Same as Sr. No. 2)	500	No.		0.00
5	EYE BOLT M24X170	964654890000	100	No.		0.00
6	Hex Nut Gr B M24 T425 BPS 41319	413190002400	100	No.		0.00
7	LIFT EYE BOLT-M12 -CL3-IS4190-400KGS	412290001200	2000	No.		0.00
8	LIFT EYE BOLT-M20 -CL3-IS4190-1T	412290002000	100	No.		0.00
9	LIFT EYE BOLT-M36x4 CL2-L805-4T	964605290000	100	No.		0.00
10	EYE BOLT-1/2"x75 -B8M-0003	964657750000	300	No.		0.00
11	HEX NUT-1/2"-13UNC-2B-GR.8M	964656480000	300	No.		0.00
12	EYE BOLT-5/8"x75 -B8M	964657770000	100	No.		0.00
13	HEX NUT-5/8"-11UNC-2B-GR.8M	964656490000	100	No.		0.00
14	EYE BOLT-5/8"x90 -B8M	964657710000	100	No.		0.00
15	HEX NUT-5/8"-11UNC-2B-GR.8M	964656490000 (Same as Sr. No. 13)	100	No.		0.00
16	EYE BOLT - 5 By 8 inch x 110 -B8M	964657790000	100	No.		0.00
17	HEX NUT - 5 By 8 inch -11UNC-2B-GR8M	964656490000 (Same as Sr. No. 15)	100	No.		0.00
Total in Figures						0.000



SPECIAL TERMS AND CONDITIONS

Tender Enquiry No. 2324-060E Dated 08.12.2023 **Due date 19.12.2023**

Tender Description: Supply of Eyebolts and Nuts

S1. SCOPE OF SUPPLY

Material shall be supplied as per the applicable Technical Delivery Condition (TDC) / Drawing as mentioned in the Table – 1, at the respective Delivery Destinations. National & International material standards shall have to be arranged by bidders themselves.

Table 1 : : List of Items along with Applicable TDC (Technical Delivery Condition) and Drawing Number.

Eye Bolts of B7 Grade					
Sl. nos.	Material Code	Description	Qty, nos.	Drawing Number / Rev. No. OR Standard	L1 Comparison will be done as (A)
1	964566790000	EYE BOLT - 1 By 2 inch x 75 -B7-F503	1000	3-V-F503-06880/01	SET (1 Set = 1 Eye Bolt + 1 Nut)
2	964562790000	NUT - 1 By 2 inch - 2H-N073	1000	3-V-N073-06876/03 and TDC:5:164/10	
3	964562630000	EYE BOLT-1/2"x60 - B7-N073	500	3-V-N073-06880/04	SET (1 Set = 1 Eye Bolt + 1 Nut)
4	964562790000 (Same as Sr. No. 2)	NUT -1/2" -2H-N073	500	3-V-N073-06876/03 and TDC:5:164/10	
5	964654890000	EYE BOLT M24X170	100	3-V-NH51-22455/00	SET (1 Set = 1 Eye Bolt + 1 Nut)
6	413190002400	Hex Nut Gr B M24 T425 BPS 41319	100	BPS-41319	
Lift Eye Bolts					
Sl. nos.	Material Code	Description	Qty, nos.	Drawing Number / Rev. No. or IS Standard	L1 Comparison will be done as (A)
7	412290001200	LIFT EYE BOLT-M12 -CL3-IS4190-400KGS	2000	IS-4190	Number
8	412290002000	LIFT EYE BOLT-M20 -CL3-IS4190-1T	100	IS-4190	Number
9	964605290000	LIFT EYE BOLT-M36x4 CL2-L805-4T	100	3-V-L805-06620/00	Number
Eye Bolts of Stainless-Steel Grade					
Sl. nos.	Material Code	Description	Qty, nos.	Drawing Number / Rev. No.	L1 Comparison will be done as (A)
10	964657750000	EYE BOLT-1/2"x75 - B8M-0003	300	3-V-0003-25684/00	SET (1 Set = 1 Eye Bolt + 1 Nut)
11	964656480000	HEX NUT-1/2"- 13UNC-2B-GR.8M	300	3-V-0002-23249/00	
12	964657770000	EYE BOLT-5/8"x75 - B8M	100	3-V-0003-25684/00	SET (1 Set = 1 Eye Bolt + 1 Nut)
13	964656490000	HEX NUT-5/8"- 11UNC-2B-GR.8M	100	3-V-0002-23249/00	



SPECIAL TERMS AND CONDITIONS

Tender Enquiry No. 2324-060E Dated 08.12.2023 **Due date 19.12.2023**

Tender Description: Supply of Eyebolts and Nuts

Sl. nos.	Material Code	Description	Qty. nos.	Drawing Number / Rev. No.	L1 Comparison will be done as (A)
14	964657710000	EYE BOLT-5/8"x90 - B8M	100	3-V-0003-25684/00	SET (1 Set = 1 Eye Bolt + 1 Nut)
15	964656490000 (Same as Sr. No. 13)	HEX NUT-5/8"-11UNC-2B-GR.8M	100	3-V-0002-23249/00	
16	964657790000	EYE BOLT - 5 By 8 inch x 110 -B8M	100	3-V-0003-25684/00	SET (1 Set = 1 Eye Bolt + 1 Nut)
17	964656490000 (Same as Sr. No. 15)	HEX NUT - 5 By 8 inch -11UNC-2B-GR8M	100	3-V-0002-23249/00	

SPECIAL NOTE:

- The L1 evaluation will be done as per Set wise or number wise as per unit of L1 Comparison mentioned in column A of above table, so please take special attention while quoting prices in Part-II (BOQ).*
- Bidder has to submit Unit rate for Each item in the Price Bid/BOQ (Part-II), However evaluation of rates shall be done as per column A (L1 Comparison will be done as). Wherever of L1 Comparison is set, the bidder has to quote for both Bolt/Stud and Nut and also the material should be supply in assembled condition only. Wherever unit of L1 Comparison is number, the comparison will be done number-wise only.*
- Wherever the nuts are repeating that is item Sl. nos. 2 & 4; 13, 15 & 17 of Table 1, minimum of the quoted rates will be considered for such nuts by the vendor.*
- Quality Assurance Plan Applicable:*
 - for Fasteners at Sr. no. 1 to 9 is document number BHE:QP:FAS:02 dt. 15.03.2019 and*
 - for Fasteners at Sr. no. 10 to 17 is document number BHE:SQAP:SS:01 dt. 12.08.2021 (B8M Fasteners).*

ALL THESE ABOVE ITEMS ARE RESERVED FOR MSE MANUFACTURERS ONLY.

In case, no response is received from MSE bidder(s) for any item, then procurement will be made from Non-MSE bidder(s).

S2. PRE-QUALIFICATION CRITERIA (POC)

- Supplier shall be manufacturer of Fasteners. Offers from Traders/Dealers/Stockists/agents will summarily be rejected. Submission of Certificate of Registration or UDYAM Certificate or Declaration from bidder for proof as a manufacturer is required to fulfil this criterion.
- Bidder has to submit one or more purchase order/s of Fasteners from any customer with minimum cumulative value of Rs. 1,00,000 (One Lac) as proof. PO date should be 01.12.2020 or afterwards". The invoice copies w.r.t. submitted PO are also required as proof of order completion.

Start-ups shall be exempted from this criterion of Purchase order and invoice submission without any relaxation in quality standards or technical parameters as per D.O. No. 5(4)/2016-BE-I dated 15.02.2017. For claiming Start-Up exemption, vendors have to submit DPIIT (Dept. of Promotion of Industry and Internal Trade)/DIPP (Department for Industrial Policy and Promotion) recognition certificates.



SPECIAL TERMS AND CONDITIONS

Tender Enquiry No. 2324-060E Dated 08.12.2023 **Due date 19.12.2023**

Tender Description: Supply of Eyebolts and Nuts

BHEL may carry out evaluation of bidder's capability. BHEL reserves the right to accept/reject any offer based on evaluation of bidder's capability. For verification of data presented for pre-qualification bid, BHEL may decide to visit the bidder(s) works. Any fact found deviating from bids during evaluation shall make the bidder liable to be dis-qualified.

S3. PART-I: TECHNO-COMMERCIAL BID

Techno - Commercial Bid should contain all the documents/confirmations as per following details:

This tender is through e-procurement mode for supply of "Eyebolts and Nuts" as per specifications mentioned in below tender terms. Bidder has to submit their offer on BHEL e-Procurement portal at <https://eprocurebhel.co.in/>. **Offer in any other mode will not be accepted.** Please refer clause no. 1.2 of General Contract Conditions of MM Tenders (GCC), regarding instructions to bidder for submission of offer on BHEL e-procurement portal.

Tenders shall be submitted in Two parts on or before the due date and time indicated in the NIT

Part-I: Techno-Commercial Bid

Bid should contain all the documents/confirmations as per following details:

- Acceptance of Techno-Commercial terms and conditions shall be attached along with bid document (Duly filled Part-I Techno-Commercial Bid Questionnaire)

IF THE OFFER IS NOT ACCOMPANIED WITH ACCEPTANCE OF TERMS AND CONDITIONS, IT SHALL BE CONCLUDED THAT ALL THE TERMS AND CONDITIONS ARE ACCEPTABLE AND NO CLAIM WHATSOEVER SHALL BE ENTERTAINED LATER ON.

- Documents as per Pre-Qualification Criteria (PQC).
- Any other document (if any)

S4. REVERSE AUCTION

Reverse auction will not be conducted in this tender enquiry.

S5. QUANTITY VARIATION

+/- 10% Quantity Variation is applicable.

S6. DELIVERY SCHEDULE

Delivery shall be within 90 days from date of Purchase Order/ Letter of Intent.

These Special terms & conditions and General Contract Conditions (GCC) collectively are the part of tender terms and conditions.



General Conditions of Contract (GCC) of MM Tenders

BHARAT HEAVY ELECTRICALS LIMITED

Industrial Valve Plant: 433, Industrial Complex,
Goindwal Sahib, Dist. Tarn Taran,
Punjab-143422 (INDIA)

TABLE OF CONTENTS

1. Instruction to Bidder	2
2. Scope of Supply	2
3. Price Basis.....	3
4. Performance Security (PS).....	3
5. Breach of contract, Remedies and Termination.....	4
6. Evaluation in Case of More Than One L-1 Bidder.....	4
7. Reverse Auction.....	4
8. Conflict of Interest among Bidders / Agents	5
9. Validity of Offers.....	5
10. Supplied Material Adjustment.....	5
11. Delivery Schedule.....	6
12. Liquidated Damaged (LD).....	6
13. Acceptance of Material Supplied.....	6
14. Payment Terms	7
15. Taxes & Duties	7
16. Liability Under Reverse Charge (RCM).....	8
17. Access to Manufacturing Premises.....	8
18. Inspection.....	8
19. Warrantee and Corresponding Repair / Replacement of Goods.....	9
20. LOI (Letter of Intent).....	10
21. Sub-Contract	10
22. Discrepancy in Words and Figures	10
23. Force Majeure	10
24. Non-Disclosure Agreement	11
25. Clarifications.....	11
26. Preferences for Micro and Small Enterprises (MSEs).....	11
27. Preference to Make in India.....	12
28. Restrictions Under Rule 144(XI) of The General Financial Rules (GFR), 2017	12
29. Resolution of Disputes.....	14
30. Fraud Prevention Policy.....	15
31. Preventive Checks to Eliminate Suspected Cartel Formation	15
32. Suspension of Business Dealings with Suppliers / Contractors	16
33. General.....	16
Annexure-X.....	19
Appendix-I of Annexure-X.....	25
Appendix-II of Annexure-X	26
Appendix-III of Annexure-X	27

Signature Not Verified

Signed By: AMAN SHARMA

Location: BHEL, Goindwal

Signing Date: 04.12.2023





General Conditions of Contract (GCC) of MM Tenders

BHARAT HEAVY ELECTRICALS LIMITED

Industrial Valve Plant: 433, Industrial Complex,
Goindwal Sahib, Dist. Tarn Taran,
Punjab-143422 (INDIA)

1. Instruction to Bidder

Quotations shall be submitted before due date and time. Late offers are liable to be rejected, so please ensure to submit bid well within due date and time. Techno-commercial part will be opened on due date.

Based on evaluation of techno-commercial offers, Price bids of bidders who qualify from techno-commercial evaluation shall be opened. BHEL may decide to open the Price bid same day at 1700 hrs. If not opened on the same day, all qualifying bidders shall be notified for date of opening of Price bids by email/fax/post/courier/E-procurement system generated email.

1.1 Instruction to Bidder (In case of Non-E-Procurement / Paper/ Manual/ Hard Copy based tenders)

Sealed Tenders can be dropped in the tender box labeled as 'Tender box for MM contracts.' This tender box is located at the entrance of Admin block BHEL Goindwal. Quotations can also be submitted through e-mail at tendermm_ivp@bhel.in. Offers received in time shall be considered only when offers are complete in all respects. In case of bulky tenders, please handover quotation to tender issuing authority [Contact: 01859 224 615 / 628]. Bid can be sent to following address:

**BHEL, Industrial Valve Plant,
#433, Industrial Complex,
Goindwal Sahib, Distt. Tarn Taran,
Punjab-143422.**

1.2 Instruction to bidder (In case of E-Procurement)

1. Interested bidders / suppliers shall submit their offer through e-procurement mode at <https://eprocurebhel.co.in/>.
2. **Offers in any other mode will not be accepted.**
3. Procedure for submission of tender is available in the "Bidder Manual Kit" at e-tender portal <https://eprocurebhel.co.in/>.
4. In case of any difficulty faced while registering on BHEL's e-Procurement portal developed by NIC, queries may be addressed to 0120-4001002, 0120-4001005 and 0120-6277787; email: support-eproc@nic.in. These details are also available on 'Contact Us' page of the portal.
5. Before uploading scanned documents if any, the bidders shall sign on all the statements, documents, certificates uploaded by him, owning responsibility for their correctness / authenticity.
6. **Disclaimer clause:** Neither the Organization (Bharat Heavy Electricals Ltd.) nor the service provider is responsible for any failure of submission of bids due to failure of internet or other connectivity problems or reasons thereof.

2. Scope of Supply

Material shall be supplied as per the applicable latest Technical Delivery Conditions (TDC)/ Material Standard requirements/BPS/Drawing and other requirement as given in the Tender Enquiry. National & International material Standards shall have to be arranged by vendors themselves. Latest applicable revisions of standards/procedures to be referred.

Signature Not Verified
Signed By: AMAN SHARMA
Location: BHEL Goindwal
Signing Date: 04.12.2023





General Conditions of Contract (GCC) of MM Tenders

BHARAT HEAVY ELECTRICALS LIMITED

Industrial Valve Plant: 433, Industrial Complex,
Goindwal Sahib, Dist. Tarn Taran,
Punjab-143422 (INDIA)

All required tests as called in referred material standard/BHEL/TDC/drawing etc. shall be carried out by vendor at no extra cost. Material Test Certificates (MTC), inspection reports and Compliance/Guarantee Certificate are to be provided along with the supplies.

3. Price Basis

1. Order of enquiry item sl. no. shall be maintained in the quotation.
2. The rates quoted shall be firm and fixed. No price variation is proposed and allowed.
3. Rates quoted should be FOR BHEL Goindwal basis. The offers quoted on other than FOR Goindwal basis are liable to be rejected.

In case bidder has quoted Ex-works prices, then he/she will be given an opportunity to accept price basis as FOR Goindwal either by accepting delivery as FOR Goindwal in same quoted price or by providing loading factor on his/her quoted ex-works prices to make them FOR prices.

Variation in GST or any other statutory levies during contractual delivery period shall be to BHEL's account.

4. Performance Security (PS)

Applicability:

- 1) Performance Security will not be applicable in which total PO value on vendor in one tender enquiry is less than or equal to Rupees one lakh.
- 2) **In case total PO value on vendor in one tender enquiry is greater than Rs. 1 Lakh:** Successful bidder (L1 or counter-offer accepted) has to submit Performance Security (PS) @5% of PO value within 21 days from the date of award of PO. PS shall be valid for a period of one year. This PS will be released to the vendor without interest after two months beyond the completion of all supplies under the PO.

Before the release of this PS, vendor has to submit another PS @1% of PO value or Rs. 3000.00 whichever is higher after two months beyond the completion of all supplies under the PO. This PS shall be valid for a period of 18 months. This additional PS will be released to the vendor without interest after expiry of validity upon fulfilment of contractual obligations as per terms of contract.

Vendor has to submit written request to BHEL for refund of PS well in advance before the due date.

In case of non-submission of PS for 5% of contract value, it will amount to breach of contract.

Mode of deposit:

Performance security may be furnished in the following forms:

- 1) Local cheques of Scheduled Banks (subject to realization)/ Pay Order/ Demand Draft/ Electronic Fund Transfer in favour of BHEL.
- 2) Bank Guarantee from Scheduled Banks / Public Financial Institutions as defined in the Companies Act. The Bank Guarantee format should have the approval of BHEL.
- 3) Fixed Deposit Receipt issued by Scheduled Banks / Public Financial Institutions as defined in the Companies Act (FDR should be in the name of the Contractor, a/c BHEL).

Signature Not Verified

Signed By: AMAN SHARMA

Location: BHEL Goindwal

Signing Date: 04.12.2023





General Conditions of Contract (GCC) of MM Tenders

BHARAT HEAVY ELECTRICALS LIMITED

Industrial Valve Plant: 433, Industrial Complex,
Goindwal Sahib, Dist. Tarn Taran,
Punjab-143422 (INDIA)

- 4) Securities available from Indian Post offices such as National Savings Certificates, Kisan Vikas Patras etc. (held in the name of Contractor furnishing the security and duly endorsed/hypothecated/ pledged, as applicable, in favour of BHEL).
- 5) Insurance Surety Bond.
- 6) By way of retention from dues available in the form of Bills payable to the supplier against same / other contracts in the same unit.

(Note: BHEL will not be liable or responsible in any manner for the collection of interest or renewal of the documents or in any other matter connected therewith).

Forfeiture of Performance Security:

The performance security will be forfeited and credited to BHEL's account in the event of a breach of contract by the supplier.

5. Breach of contract, Remedies and Termination

In case of breach of contract, wherever the value of security instruments like performance bank guarantee available with BHEL against the said contract is 10% of the contract value or more, such security instruments to the extent of 10% contract value will be encashed. In case the value of the security instruments available is less than 10% of the contract value, the balance amount be recovered in all or any of the following manners:

- from dues available in the form of Bills payable to defaulted supplier against the same contract.
- from the dues payable to defaulted supplier against other contracts in the same Region/Unit /any other region/unit.
- In-case recoveries are not possible with any of the above available options, Legal action shall be initiated for recovery against defaulted supplier.

Further, levy of liquidated damages, debarment, termination, de-scoping, short-closure, etc., shall be applied as per provisions of the contract.

6. Evaluation in Case of More Than One L-1 Bidder

In the course of evaluation, if more than one bidder happens to occupy L1 status, effective L1 will be decided by soliciting discounts from the respective L1 bidders.

In case more than one bidder happens to occupy the L1 status even after soliciting discounts, the L1 bidder shall be decided by a toss / draw of lots, in the presence of the respective L1 bidder(s) or their representative(s).

Ranking will be done accordingly. BHEL's decision in such situations shall be final and binding.

7. Reverse Auction

In case, it is declared in special terms & conditions of tender enquiry that RA is applicable for the NIT, then RA will be conducted as per following clause:

BHEL shall be resorting to Reverse Auction (RA) (Guidelines as available on <https://www.bhel.com/>) for this tender. RA shall be conducted among the techno-commercially qualified bidders as per RA guidelines.

Price bids of all techno-commercially qualified bidders shall be opened and same shall be considered

Signature Not Verified
Signed By: AMAN SHARMA
Location: BHEL, Goindwal
Signing Date: 04.12.2023





General Conditions of Contract (GCC) of MM Tenders

BHARAT HEAVY ELECTRICALS LIMITED

Industrial Valve Plant: 433, Industrial Complex,
Goindwal Sahib, Dist. Tarn Taran,
Punjab-143422 (INDIA)

for RA. In case any bidder(s) do(es) not participate in online Reverse Auction, their sealed envelope price bid along with applicable loading, if any, shall be considered for ranking.

8. Conflict of Interest among Bidders / Agents

A bidder shall not have conflict of interest with other bidders. Such conflict of interest can lead to anti-competitive practices to the detriment of Procuring Entity's interests. ***The bidder found to have a conflict of interest shall be disqualified.*** A bidder may be considered to have a conflict of interest with one or more parties in this bidding process, if:

- a) they have controlling partner (s) in common; **or**
- b) they receive or have received any direct or indirect subsidy/ financial stake from any of them; **or**
- c) they have the same legal representative/agent for purposes of this bid; **or**
- d) they have relationship with each other, directly or through common third parties, that puts them in a position to have access to information about or influence on the bid of another Bidder; **or**
- e) Bidder participates in more than one bid in this bidding process. Participation by a Bidder in more than one Bid will result in the disqualification of all bids in which the parties are involved. However, this does not limit the inclusion of the components/ sub-assembly/ Assemblies from one bidding manufacturer in more than one bid. **or**
- f) In cases of agents quoting in offshore procurements, on behalf of their principal manufacturers, one agent cannot represent two manufacturers or quote on their behalf in a particular tender enquiry. One manufacturer can also authorise only one agent/dealer. There can be only one bid from the following:
 1. The principal manufacturer directly or through one Indian agent on his behalf; and
 2. Indian/foreign agent on behalf of only one principal.**or**
- g) a Bidder or any of its affiliates participated as a consultant in the preparation of the design or technical specifications of the contract that is the subject of the Bid; **or**
- h) In case of a holding company having more than one independently manufacturing units, or more than one unit having common business ownership/management, only one unit should quote. Similar restrictions would apply to closely related sister companies. Bidders must proactively declare such sister/ common business/ management units in same/ similar line of business.

9. Validity of Offers

The offers shall be kept open for acceptance 'for number of days mentioned in special terms and conditions' from the date of opening of the tender. In case of tender extension, the bid validity shall be considered from the date of tender opening.

10. Supplied Material Adjustment

Item/s pending in previous PO has to be billed in previous PO only. Otherwise, BHEL will be free to adjust the supplies in previous PO. Any implication of tax will be on supplier's account. For this it is desirable that vendor should reconcile the pending PO statement every month/frequently with BHEL. Vendor can also view these details at Portal (<https://trichy.bhel.com/mm/index.jsp>).

Signature Not Verified
Signed By: AMAN SHARMA
Location: BHEL Goindwal
Signing Date: 04.12.2023





General Conditions of Contract (GCC) of MM Tenders

BHARAT HEAVY ELECTRICALS LIMITED

Industrial Valve Plant: 433, Industrial Complex,
Goindwal Sahib, Dist. Tarn Taran,
Punjab-143422 (INDIA)

11. Delivery Schedule

Supplies shall be affected and completed as per schedule mentioned in special terms and conditions. Commencement of delivery period shall be reckoned from the date of PO / LOI or any other agreed milestone.

12. Liquidated Damaged (LD)

- a) Time is the essence of the contract.
- b) The ordered items shall be delivered as per the delivery period mentioned in the Purchase Order.
- c) In case the supplier supplies the ordered items beyond the delivery period specified, Liquidated Damages -LD - as detailed below shall be levied from the supplier without prejudice to any other relief /compensation available to BHEL, Punjab under any other condition of the contract/applicable legal provisions.
- d) Failure to dispatch the materials in the time as per the delivery mentioned in our Purchase Order (PO) would make the supplier liable to an un-conditional LD at the rate of 0.5% of the undelivered order value per week of the delay or part thereof subject to a maximum of 10% of the undelivered order value.
- e) Any deviation from the above LD clause, loading will be applied to the extent to which it is not agreed by the bidder (at offered value).
- f) Indigenous: In case of Ex-works delivery terms, the document date (Invoice/Challan date) in Goods Receipt (GR) document shall be reckoned for LD deduction. In case of FOR Delivery terms, the posting date in GR document shall be reckoned for LD deduction.
- g) Import: For CFR terms, BL date will be considered for LD calculation.

BHEL reserves the right to receive or not receive the material after the due date of PO. Applicable GST shall also be recovered from suppliers/contractors on LD amount. For this Debit note will be issued by BHEL indicating the respective supply invoice number.

13. Acceptance of Material Supplied

1. The supply shall strictly as per the specifications in the tender /purchase order.
2. Delivery of the ordered items as per the delivery terms in the Purchase Order does not automatically constitute acceptance of the delivered items.
3. Acceptance of the materials supplied will be based on the inspection and certification documents by the supplier as stipulated in the Purchase order. However, BHEL reserves the right to test the material supplied, if required, at BHEL Lab or any other approved/accredited lab and the result will be binding on the supplier.
4. The acceptance or otherwise of the delivered items will be separately communicated to the supplier by BHEL through B2B portal within 15 days from the delivery of items or delivery of the required test certificates /other documents whichever is later.
5. In case of rejection of the delivered items, either part or full, the vendor shall replace the rejected items as per the specification in the Purchase order/tender at their cost within 30 days of communication of rejection to the supplier. The supplier shall be given maximum two opportunities to replace the rejected items.
6. After the clearance of the 1st lot, in case of rejection of the delivered items, either part or full, if the supplier fails to replace the rejected items within 30 days of communication of the rejection, the same shall be treated as failure to execute the contract and actions as per the Guidelines for

Signature Not Verified
Signed By: AMAN SHARMA
Location: BHEL, Goindwal
Signing Date: 04.12.2023





General Conditions of Contract (GCC) of MM Tenders

BHARAT HEAVY ELECTRICALS LIMITED

Industrial Valve Plant: 433, Industrial Complex,
Goindwal Sahib, Dist. Tarn Taran,
Punjab-143422 (INDIA)

Suspension of Business Dealings with Suppliers /Contractors available in the webpage: <https://www.bhel.com> would be taken against such supplier.

14. Payment Terms

1. Payments shall be made to the Seller within the mentioned days (as per below table) from the date of receipt and acceptance of material.

Type of Bidder	Payment Terms (Number of days)
Micro & Small Enterprises (MSEs)	45 days
Medium Enterprises	60 days
Non MSME	90 days

To be considered as Micro, Small or Medium enterprise, bidder must be manufacturer of offer product and relevant valid certificate as per latest MSME guidelines is to be submitted along with bid.

MSME bidders can avail benefits of payment through TReDS (Trade Receivable e Discounting System).

In case of any deviation from standard payment term mentioned above, BHEL shall load on the item price at 'Base rate of SBI (as applicable on the date of bid opening; Techno-commercial bid opening) + 6% for the period of relaxation sought by bidders.

2. Documents to be submitted (if applicable)
 - i) Tax invoice (Invoice shall be GST compliant and should contains all the required information such as GST No, HSN code etc.)
 - ii) Transporter copy along with material/consignment.
 - iii) Material Test Certificates (MTC) and
 - iv) Compliance Certificate.
3. GST registration number is to be submitted by qualified vendor as per GST law.
4. It is mandatory to mention proper material codes in the invoices and separate invoices to be raised for different POs.
5. **BHEL releases payment through EFT mode ONLY. Necessary details may please be submitted by filling required format before release of payment.**

15. Taxes & Duties

Payment of GST portion will be released to vendor only upon completion of statutory requirement and further subject to following:

- a) Vendor declaring such invoice in his GSTR-1 and
- b) Receipt of goods and Tax invoice by BHEL and
- c) Confirmation of payment of GST thereon by vendor on GSTN portal.
- d) Above is subject to receipt of goods/service and tax invoice thereof along with vendor declaring invoice in his return and paying GST within timeline prescribed for availing ITC by BHEL.

Following may please be noted for availing Input Tax Credit (ITC) by BHEL:

Signature Not Verified
Signed By: AMAN SHARMA
Location: BHEL, Goindwal
Signing Date: 04.12.2023





General Conditions of Contract (GCC) of MM Tenders

BHARAT HEAVY ELECTRICALS LIMITED

Industrial Valve Plant: 433, Industrial Complex,
Goindwal Sahib, Dist. Tarn Taran,
Punjab-143422 (INDIA)

1. Since ITC can be availed only when BHEL is in possession of GST Tax invoice and after receipt of goods. Thus, vendor to ensure timely dispatch of goods and Tax invoice. It may be noted that in case of any delay in receipt of Tax Invoice and/or receipt of goods, the ITC availment by BHEL will get delayed thus entailing additional cash outflow & may even get denied if ITC availment timelines are breached.
2. Further ITC can be availed only when vendor has declared such invoice in his outward supply Return GSTR-1 and after GST thereon has been paid by him at the time of filing of monthly Return.
3. If GST credit is delayed/denied to BHEL due to non/delayed receipt of goods and/or tax invoice or expiry of timeline prescribed in GST law for availing such ITC, or any other reasons not attributable to BHEL, GST amount shall be recoverable from vendor along with interest levied/leviable on BHEL.
4. Further, in case vendor delays declaring such invoice in his return and GST credit availed by BHEL is denied or reversed subsequently as per GST law, GST amount paid by BHEL towards such ITC reversal as per GST law shall be recoverable from vendor/contractor along with interest levied/leviable on BHEL.

16. Liability Under Reverse Charge (RCM)

Any GST liability arising on BHEL under Reverse Charge (RCM) before actual receipt of goods and/ or Invoice thereof would be subject to recovery of Interest leviable for the period between the date of such liability and actual date of eligibility of ITC based on receipt of goods, receipt of Invoices and other conditions specified in GST Law as applicable.

17. Access to Manufacturing Premises

While Purchase Orders placed on the vendor are under execution, authorized representatives of BHEL shall be allowed free access to the manufacturing facilities for the purpose of inspection or monitoring the progress of purchase orders. This access will also be extended to representatives of BHEL's customers accompanying the authorized representative/s of BHEL (which shall be intimated in advance), if our contractual requirements with our customers call for the same.

18. Inspection

1. The seller shall give adequate notice, of 1 week or as mutually agreed period, in writing to the Purchaser about the date and place at which the goods will be ready for inspection/ testing, as provided for in the contract.
2. Purchaser or his authorized representative shall be entitled to carry out inspection of material and workmanship/Surveillance Audit at Seller's premises or at his sub-contractor's premises at all reasonable times during execution of contract; Such inspection, examination and testing, if made, shall not absolve the Seller from his obligations under the contract. No additional charges shall be claimed for such inspections. Moreover, all required infrastructure (testing, tools etc) have to be arranged by supplier.
3. Any inspection carried out before supply by vendor/incoming stage at BHEL notwithstanding, if any defect/non-conformity is noted during processing, the same shall be attended/replaced by vendor at no extra cost.
4. BHEL representative from unit or CQ is authorized to carry out audits along with TPIA at vendor's works before clearing the items for dispatch.

Signature Not Verified

Signed By: AMAN SHARMA

Location: BHEL, Goindwal

Signing Date: 04.12.2023





General Conditions of Contract (GCC) of MM Tenders

BHARAT HEAVY ELECTRICALS LIMITED

Industrial Valve Plant: 433, Industrial Complex,
Goindwal Sahib, Dist. Tarn Taran,
Punjab-143422 (INDIA)

5. Necessary tooling including thread gauges etc. have to be arranged by vendor. Only in exceptional cases, based on BHEL discretions item/nature, BHEL may consider request to provide gauges if available with BHEL. But in no case this shall be linked with delivery of material.
6. In case of following points, visit charges to be paid to Third Party Inspection Agency (TPIA) shall be imposed as penalty on Supplier:
 - a) Nothing/NIL material is offered during Inspection (whilst physical visit of Inspection Engineer at Supplier's work) with respect to "Offered Quantity" mentioned in raised Inspection Call.
 - b) Lapses on the account of supplier has led to rejection of offered material (as per approved QAP/ Technical Specifications/ Other pertinent requirement), while carrying out Inspection.
 - c) Less Quantity/ Short Quantity is offered during Inspection (whilst physical visit of Inspection Engineer at Supplier's work) with respect to "Offered Quantity" mentioned in raised Inspection Call for any of the line(s) item, leading to re-visit of Inspection Engineer.

19. Warrantee and Corresponding Repair / Replacement of Goods

Goods shall comply with the specifications for material, workmanship and performance. Unless otherwise specified, vendor shall give a warrantee against design & manufacturing defects for a period of 18 months from the date of receipt. In case of non-acceptance of this term, bid shall be liable for rejection.

If the delivery is found non-compliant during the warranty period, leading to rejection, the Seller shall arrange free replacement / repair of goods, within one month from the date of intimation. Corresponding quantity shall be treated as unsupplied against respective purchase order till replacement is received at BHEL. In the event of the Seller's failure to comply, Purchaser may take action as appropriate, including repair / replenish rejected goods, at the cost of the seller as per contractual obligations.

All incidental charges like freight, insurance and customs duty in respect of return of defective items are to vendor's account only. BHEL will inform related invoice, quantity etc. to supplier. Supplier has to give advance intimation / plan (Transporter, Vehicle details) for the lifting of material. Further supplier has to provide requisite documents (such as Credit Note, e-Way Bill etc.) to lift the rejected material. Material should be lifted within one month from date of intimation. After one-month, BHEL will not be responsible for rejected material and BHEL shall have the right to dispose off such rejected material.

The defective parts and components shall be collected by your Indian agent or / authorized person, only after completing the replacement / repairs. If the supplier fails to replace / rectify the defective/ damaged items on free of cost within one month of reporting from our end, the same shall be treated as failure to execute the contract and actions as per the Guidelines for Suspension of Business Dealings with Suppliers /Contractors available in the webpage: <https://www.bhel.com> would be taken against such supplier without prejudice to the other remedies available to BHEL under the contract and law in this regard.





General Conditions of Contract (GCC) of MM Tenders

BHARAT HEAVY ELECTRICALS LIMITED

Industrial Valve Plant: 433, Industrial Complex,
Goindwal Sahib, Dist. Tarn Taran,
Punjab-143422 (INDIA)

20. LOI (Letter of Intent)

BHEL may issue LOI prior to the PO for any reason whatsoever. The LOI in such cases is to be treated as PO for all practical purposes and all the Terms & Conditions of the tender shall be applicable from the date of issue of LOI.

21. Sub-Contract

The purchase order or any part thereof shall not be sub-contracted, assigned or otherwise transferred without previously obtaining the BHEL's consent in writing.

22. Discrepancy in Words and Figures

1. If, in the price structure quoted for the required goods/ services/ works, there is discrepancy between the unit price and the total price (which is obtained by multiplying the unit price by the quantity}, the unit price shall prevail and the total price corrected accordingly, unless in the opinion of the purchaser there is an obvious misplacement of the decimal point in the unit price, in which case the total price as quoted shall govern and the unit price corrected accordingly.
2. If there is an error in a total corresponding to the addition or subtraction of subtotals, the subtotals shall prevail and the total shall be corrected; and
3. If there is a discrepancy between words and figures, the amount in words shall prevail, unless the amount expressed in words is related to an arithmetic error, in which case the amount in figures shall prevail subject of (a) and (b) above.
4. If there is such discrepancy in an offer, the same shall be conveyed to the bidder with target date upto which the bidder has to send his acceptance on the above lines and if the bidder does not agree to the decision of the purchaser, the bid is liable to be ignored.
5. Bids should be free from correction, overwriting, using corrective fluid, etc. Any interlineation, cutting, erasure or overwriting shall be valid only if they are attested under full signature(s) of person(s) signing the bid else shall be liable for rejection.
6. All overwriting/cutting, etc will be numbered by bid opening officials and announced during bid opening.

23. Force Majeure

1. Notwithstanding the provisions contained in other clauses, the supplier shall not be liable for imposition of any such sanction so long the delay and/or failure of the supplier in fulfilling its obligations under the contract is the result of an event of Force Majeure. For purposes of this clause, Force Majeure means an event beyond the control of the supplier and not involving the supplier's fault or negligence and which is not foreseeable and not brought about at the instance of the party claiming to be affected by such event and which has caused the non – performance or delay in performance. Such events may include, but are not restricted to, wars or revolutions, hostility, acts of public enemy, civil commotion, sabotage, fires, floods, explosions, epidemics, quarantine restrictions, strikes excluding by its employees, lockouts excluding by its management, freight embargoes and Acts of GOD.
2. If a Force Majeure situation arises, the supplier shall promptly notify the Purchaser/Consignee in writing of such conditions and the cause thereof within twenty-one days of occurrence of such event. Unless otherwise directed by the Purchaser/Consignee in writing, the supplier shall continue

Signature Not Verified
Signed By: AMAN SHARMA
Location: BHEL, Goindwal
Signing Date: 04.12.2023





General Conditions of Contract (GCC) of MM Tenders

BHARAT HEAVY ELECTRICALS LIMITED

Industrial Valve Plant: 433, Industrial Complex,
Goindwal Sahib, Dist. Tarn Taran,
Punjab-143422 (INDIA)

- to perform its obligations under the contract as far as reasonably practical, and shall seek all reasonable alternative means for performance not prevented by the Force Majeure event.
3. If the performance in whole or in part or any obligation under this contract is prevented or delayed by any reason of Force Majeure for a period exceeding sixty days, either party may at its option terminate the contract without any financial repercussion on either side.
 4. In case due to a Force Majeure event the Purchaser/Consignee is unable to fulfil its contractual commitment and responsibility, the Purchaser/Consignee will notify the supplier accordingly and subsequent actions taken on similar lines described in above sub-paragraphs.

24. Non-Disclosure Agreement

All Drawing and technical documents relating to the product or it's manufacture submitted by one party to the other, prior or subsequent to the formation of contract, shall remain property of the submitting party. Drawing, technical documents or other technical information received by one party, shall not without the consent of the other party, be used for any other purpose than that, for which they were provided. Such technical information shall not without the consent of the submitting party, otherwise be used or copied, reproduced, transmitted or communicated to a third party. Patterns supplied by BHEL will remain BHEL's property which shall be returned by the bidder on demand to BHEL. Bidder shall in no way share or use such intellectual property of BHEL to promote his own business with others. ***BHEL reserves the right to claim damages from the bidder, or take appropriate penal action as deemed fit against the bidder, for any infringement of the provisions contained herein.***

25. Clarifications

The correspondence exchanged against the tender from both tenderer and BHEL through email/e-procurement are considered as valid document legally though it is not signed. It is treated as valid confirmations made on behalf of the respective company and very much comes under the legal ambit of the business transaction and hence it is binding on both the parties to the business. Any transaction pertaining to the tender from both the parties of business done round the clock irrespective of the office or business hours of the companies, are valid legally and binding on both the parties. This applies to the extent only in such cases where deadline time for transaction is not specifically declared by either or both the parties to the business.

26. Preferences for Micro and Small Enterprises (MSEs)

Preferences as mentioned in “Public Procurement Policy for Micro and Small Enterprises (MSEs) Order, 2012” & “Public Procurement Policy for Micro and Small Enterprises (MSEs) Amendment Order, 2018”, or as per latest guidelines issued by government shall be given to Micro and Small enterprises.

Main points which are mentioned in the above orders are as follows:

- 25% Procurement of the tender value shall be made from MSE (Micro, Small Enterprises) firms.
- 25% of the 25% quantity (i.e. 6.25% of the tender quantity) offered to the MSE's shall be reserved for MSE's owned by SC/STs. Failure to participate by any MSE owned by SC/ST's; this 6.25% quantity shall be procured from other MSEs.

Signature Not Verified
Signed By: AMAN SHARMA
Location: BHEL, Goindwal
Signing Date: 04.12.2023





General Conditions of Contract (GCC) of MM Tenders

BHARAT HEAVY ELECTRICALS LIMITED

Industrial Valve Plant: 433, Industrial Complex,
Goindwal Sahib, Dist. Tarn Taran,
Punjab-143422 (INDIA)

- 3% from within the 25% quantity offered to the MSE's shall be reserved for women owned MSE's. Failure to participate by any MSE owned by women; this 3% quantity shall be procured from other MSEs.
- EMD shall be exempted for MSE's. All these benefits are subject to production of all statutory documents
- In tender, participating Micro and Small Enterprises quoting price within price band of L1+15 per cent shall also be allowed to supply a portion of requirement by bringing down their price to L1 price in a situation where L1 price is from someone other than a Micro and Small Enterprise and such Micro and Small Enterprise shall be allowed to supply up to 25 per cent of total tendered value. In case of more than one such Micro and Small Enterprise, the supply shall be shared proportionately (to tendered quantity).

MSE suppliers can avail the intended benefits only if they submit **Udyam Registration Certificate** along with the offer. No other document shall be considered for availing MSE benefits. Non-submission of such document will lead to consideration of their bid at par with other bidders. No benefit shall be applicable for this enquiry if any deficiency in the above required documents is not cleared before price bid opening. If the tender is to be submitted through e-procurement portal, then the above required document is to be uploaded on the portal.

Note: It may however be noted that MSE guidelines as on date (Date of Technical Bid Opening Part-1) shall prevail.

27. Preference to Make in India

This procurement shall be governed by notification no. P-45021/2/2017-PP (BE-II) dated 16.09.2020 of Government of India issued by DPIIT and subsequent circulars issued afterwards. Accordingly, the minimum local content, the margin of purchase preference and the procedure for purchase preference to make in India shall be adhered.

28. Restrictions Under Rule 144(XI) of The General Financial Rules (GFR), 2017

Restrictions on procurement from a bidder of a country which shares a land border with India

- a) Any bidder from a country which shares a land border with India will be eligible to bid in this tender, whether of goods or services (including consultancy services and non-consultancy services), only if the bidder is registered with the Competent Authority.
 - b) Further, any bidder (including an Indian bidder) who has a Specified Transfer of Technology (ToT) arrangement with an entity from a country which shares a land border with India will be eligible to bid in any procurement whether of goods or services (including consultancy services and non-consultancy services) only if the bidder is registered with the Competent Authority. *This clause shall be applicable only in the tenders which attract restrictions due to specified ToT.*
- II. "Bidder" (Seller / Service Provider) means any person or firm or company, including any member of a consortium or joint venture (that is an association of several persons, or firms or companies), every artificial juridical person not falling in any of the descriptions of bidders stated hereinbefore, including any agency branch or office controlled by such person, participating in a procurement process.

Signature Not Verified

Signed By: AMAN SHARMA
Location: BHEL, Goindwal
Signing Date: 04.12.2023





General Conditions of Contract (GCC) of MM Tenders

BHARAT HEAVY ELECTRICALS LIMITED

Industrial Valve Plant: 433, Industrial Complex,
Goindwal Sahib, Dist. Tarn Taran,
Punjab-143422 (INDIA)

- III. "Bidder (or entity) from a country which shares a land border with India" for the purpose of the Order means:
- An entity incorporated, established, or registered in such a country; or
 - A subsidiary of an entity incorporated, established, or registered in such a country; or
 - An entity substantially controlled through entities incorporated, established, or registered in such a country; or
 - An entity whose beneficial owner is situated in such a country; or
 - An Indian (or other) agent of such an entity; or
 - A natural person who is a citizen of such a country; or
 - A consortium or joint venture where any member of the consortium or joint venture falls under any of the above
- IV. The beneficial owner for the purpose of (iv) above will be as under
- In case of a company or Limited Liability Partnership, the beneficial owner is the natural person(s), who, whether acting alone or together, or through one or more juridical person, has a controlling ownership interest or who exercises control through other means.
Explanation—
 - "Controlling ownership interest" means ownership of or entitlement to more than twenty-five per cent. of shares or capital or profits of the company;
 - "Control" shall include the right to appoint majority of the directors or to control the management or policy decisions including by virtue of their shareholding or management rights or shareholders agreements or voting agreements;
 - In case of a partnership firm, the beneficial owner is the natural person(s) who, whether acting alone or together, or through one or more juridical person, has ownership of entitlement to more than fifteen percent of capital or profits of the partnership;
 - In case of an unincorporated association or body of individuals, the beneficial owner is the natural person(s), who, whether acting alone or together, or through one or more juridical person, has ownership of or entitlement to more than fifteen percent of the property or capital or profits of such association or body of individuals;
 - Where no natural person is identified under (1) or (2) or (3) above, the beneficial owner is the relevant natural person who holds the position of senior managing official;
 - In case of a trust, the identification of beneficial owner(s) shall include identification of the author of the trust, the trustee, the beneficiaries with fifteen percent or more interest in the trust and any other natural person exercising ultimate effective control over the trust through a chain of control or ownership.
- V. An Agent is a person employed to do any act for another, or to represent another in dealings with third person.
- VI. The registration shall be valid at the time of submission of bid and at the time of acceptance of bid.
- VII. If the bidder was validly registered at the time of acceptance / placement of order, registration shall not be a relevant consideration during contract execution.
- VIII. "Transfer of Technology" means dissemination and transfer of all forms of commercially usable knowledge such as transfer of know-how, skills, technical expertise, designs, processes and procedures, trade secrets, which enables the acquirer of such technology to perform activities using the transferred technology independently.

Signature Not Verified
Signed By: AMAN SHARMA
Location: BHEL, Goindwal
Signing Date: 04.12.2023





General Conditions of Contract (GCC) of MM Tenders

BHARAT HEAVY ELECTRICALS LIMITED

Industrial Valve Plant: 433, Industrial Complex,
Goindwal Sahib, Dist. Tarn Taran,
Punjab-143422 (INDIA)

Any false declaration and non-compliance of the above would be a ground for debarment and further legal action in accordance with law.

Bidder has to submit a certificate certifying following along with offer:

"I have read the clause regarding restrictions on procurement from a bidder of a country which shares a land border with India; I certify that this bidder is not from such a country or, if from such a country, has been registered with the Competent Authority. I hereby certify that this bidder fulfils all requirements in this regard and is eligible to be considered. [Where applicable, evidence of valid registration by the Competent Authority shall be Attached]."

29. Resolution of Disputes

The Parties agree that if at any time (whether before, during or after the arbitral or judicial proceedings), any Disputes (which term shall mean and include any dispute, difference, question or disagreement arising in connection with construction, meaning, operation, effect, interpretation or breach of the contract/tender which the Parties are unable to settle mutually), arise inter-se the Parties, the same may, be referred by either party to Conciliation to be conducted through Independent Experts Committee to be appointed by competent authority of BHEL from the BHEL Panel of Conciliators.

Notes:

1. No serving or a retired employee of BHEL/Administrative Ministry of BHEL shall be included in the BHEL Panel of Conciliators.
2. Any other person(s) can be appointed as Conciliator(s) who is/are mutually agreeable to both the parties from outside the BHEL Panel of Conciliators.

The proceedings of Conciliation shall broadly be governed by Part-III of the Arbitration and Conciliation Act 1996 or any statutory modification thereof and as provided in Annexure-X to this GCC.

The Annexure-X together with its appendices will be treated as if the same is part and parcel hereof and shall be as effectual as if set out herein in this GCC.

Except as provided elsewhere in this Contract, in case amicable settlement is not reached between the parties, in respect of any dispute or difference; arising out of the formation, breach, termination, validity or execution of the Contract; or, the respective rights and liabilities of the Parties; or, in relation to interpretation of any provision of the Contract; or, in any manner touching upon the Contract, then, either Party may, by a notice in writing to other Party, refer such dispute or difference to sole arbitration of an arbitrator appointed as per the Arbitration and Conciliation Act, 1996 (India) or statutory modification or re-enactment thereof and the rules made thereunder and for the time being in force.

The Arbitrator shall pass a reasoned award and the award of the Arbitrator shall be final and binding upon the parties.

This contract shall be governed, construed and interpreted in accordance with the laws of India.

Signature Not Verified
Signed By: AMAN SHARMA
Location: BHEL, Goindwal
Signing Date: 04.12.2023





General Conditions of Contract (GCC) of MM Tenders

BHARAT HEAVY ELECTRICALS LIMITED

Industrial Valve Plant: 433, Industrial Complex,
Goindwal Sahib, Dist. Tarn Taran,
Punjab-143422 (INDIA)

Subject as aforesaid, the provisions of Arbitration & Conciliation Act 1996 (India) or statutory modification or re-enactment thereof and the rules made thereunder and for the time being in force shall apply to the arbitration proceeding under this clause.

The seat of arbitration shall be Tarn Taran, Punjab, India.

The cost of arbitration shall be borne as per the award of the Arbitrator.

Subject to arbitration in terms of clause above, the Courts at Tarn Taran, Punjab, India shall have exclusive jurisdiction over any matter arising out of or in connection with this Contract.

Notwithstanding the existence or any dispute or difference and/or reference for the arbitration, the vendor/contractor shall proceed with and continue without hindrance the performance of its obligation under this Contract with due diligence and expedition in a professional manner except where the Contract has been terminated by either Party in terms of this Contract.

In Case of Contract with Public Sector Enterprise (PSE) or a Government Department, the following shall be applicable:

In the event of any dispute or difference relating to the interpretation and application of the provisions of commercial contract(s) between Central Public Sector Enterprises (CPSEs)/Port Trusts inter se and also between CPSEs and Government Departments/Organizations (Excluding disputes concerning Railways, Income Tax, Customs & Excise Departments, such dispute or difference shall be taken up by either party for its resolution through AMRCD as mentioned in DPE OM No.05/003/2019-FTS-10937 dated 14th December, 2022 and the decision of AMRCD on the said dispute will be binding on both the parties.”

Set off : BHEL shall have the right to recover any money which in the sole opinion of BHEL is due from the supplier from any money due to the supplier under this Contract or any other contract or from the Security Deposit/BG furnished by the supplier under this Contract or any other contract.

30. Fraud Prevention Policy

The Bidder along with its associate / collaborators / sub-contractors / sub-vendors / consultants / service providers shall strictly adhere to BHEL Fraud Prevention Policy displayed on BHEL website <https://www.bhel.com/> and shall immediately bring to the notice of BHEL management about any fraud or suspected fraud as soon as it comes to their notice.

31. Preventive Checks to Eliminate Suspected Cartel Formation

The Bidder declares that they will not enter into any illegal or undisclosed agreement or understanding, whether formal or informal with other Bidder(s). This applies in particular to prices, specifications, certifications, subsidiary contracts, submission or non-submission of bids or any other actions to restrict competitiveness or to introduce cartelization in the bidding process.





General Conditions of Contract (GCC) of MM Tenders

BHARAT HEAVY ELECTRICALS LIMITED

Industrial Valve Plant: 433, Industrial Complex,
Goindwal Sahib, Dist. Tarn Taran,
Punjab-143422 (INDIA)

In case, the Bidder is found having indulged in above activities, suitable action shall be taken by BHEL as per extant policies/ guidelines.

32. Suspension of Business Dealings with Suppliers / Contractors

The offers of the bidders who are under suspension as also the offers of the bidders, who engage the services of the firms debarred across BHEL, shall be rejected. The list of firms debarred across BHEL is available on BHEL web site <https://www.bhel.com/>.

INTEGRITY COMMITMENT, PERFORMANCE OF THE CONTRACT AND PUNITIVE ACTION THEREOF:

31.1. Commitment by BHEL:

BHEL commits to take all measures necessary to prevent corruption in connection with the tender process and execution of the contract. BHEL will during the tender process treat all Bidder(s) in a transparent and fair manner, and with equity.

31.2. Commitment by Bidder/ Supplier/ Contractor:

31.2.1. The bidder/ supplier/ contractor commits to take all measures to prevent corruption and will not directly or indirectly influence any decision or benefit which he is not legally entitled to nor will act or omit in any manner which tantamount to an offence punishable under any provision of the Indian Penal Code, 1860 or any other law in force in India.

31.2.2. The bidder/ supplier/ contractor will, when presenting his bid, disclose any and all payments he has made, and is committed to or intends to make to agents, brokers or any other intermediaries in connection with the award of the contract and shall adhere to relevant guidelines issued from time to time by Govt. of India/ BHEL.

31.2.3. The bidder/ supplier/ contractor will perform/ execute the contract as per the contract terms & conditions and will not default without any reasonable cause, which causes loss of business/ money/ reputation, to BHEL.

If any bidder/ supplier/ contractor during pre-tendering/ tendering/ post tendering/ award/ execution/ post-execution stage indulges in mal-practices, cheating, bribery, fraud or and other misconduct or formation of cartel so as to influence the bidding process or influence the price or acts or omits in any manner which tantamount to an offence punishable under any provision of the Indian Penal Code, 1860 or any other law in force in India, then, action may be taken against such bidder/ supplier/ contractor as per extant guidelines of the company available on <https://www.bhel.com/> and/or under applicable legal provisions

33. General

1. BHEL will not be bound by any power of attorney granted by the vendors or by changes in the composition of the firm made subsequent to the execution of the contract. They may, however,

Signature Not Verified

Signed By: AMAN SHARMA

Location: BHEL, Goindwal

Signing Date: 04.12.2023





General Conditions of Contract (GCC) of MM Tenders

BHARAT HEAVY ELECTRICALS LIMITED

Industrial Valve Plant: 433, Industrial Complex,
Goindwal Sahib, Dist. Tarn Taran,
Punjab-143422 (INDIA)

- recognize such power of attorney and changes after obtaining proper legal advice, the cost of which will be chargeable to the vendor concerned.
2. BHEL reserves the right to extend the due date of opening, which shall be informed. Validity of offer shall be deemed to be revised accordingly.
 3. BHEL reserves the right to accept or reject any part or whole of the tender of a bidder by assigning a valid reason thereof. BHEL reserves the right to cancel the tender without assigning any reason thereof and without any obligation before any commitment.
 4. Acceptance of all terms and conditions, in the form of signed copy of T&C or confirmation separately written, shall be submitted along with quotation. If nothing is mentioned, it shall be concluded that these terms and conditions are acceptable.
 5. BHEL may increase/decrease item/s based on BHEL requirement before price bid opening. Suitable price implication may be asked from suppliers.
 6. BHEL may drop item/items from tender at any stage of tender before placing PO. BHEL may also delete PO with consent with supplier within delivery date of PO.
 7. After releasing PO, it is assumed that supplier has accepted PO if we do not receive acknowledgement from supplier within 5 days of date of PO.
 8. In case of unscheduled holiday on opening day of tender, the next working day will be treated as scheduled prescribed day of opening of tender.
 9. On the due date of tender opening, only technical bids will be opened. The opened technical bids will be evaluated by us and clarifications required, if any, will be called for from the bidders on technical and commercial points. If no reply is received from the vendor for the clarification raised by BHEL within the final cut-off date, those vendors offer will be processed with the documents available / submitted against this tender. Offers not meeting the required specification and technical condition will be summarily rejected. The price bids of technically suitable bidders will be opened on a later date with prior intimation to techno-commercially suitable bidders.
 10. Ranking L-1, L-2 etc. shall be done for individual item for the techno-commercially acceptable offers on landed cost to BHEL, IVP Goindwal basis and BHEL reserves the right to place order for individual items with different vendors.
 11. BHEL reserves the right to negotiate with L1 vendor or re-float the tender for items where, L1 price is not the lowest acceptable price; BHEL reserves the right to increase or decrease the tender quantity.
 12. If supplier is mentioning delivery destination within state/ outside state depending upon his location of factory, Free on Road etc. these are assumed as on FOR Goindwal. If supplier is wishing to give delivery on Ex works basis, then he has to clearly mention about it.
 13. The bidder has to keep track of any changes by viewing the addendum(s) / Corrigendum(s) issued by the Purchaser on time-to- time basis in the E-Procurement platform. The Company calling for tenders shall not be responsible for any claims/problems arising out of this.
 14. Unregistered suppliers, who are techno-commercially qualified against the open tender, are requested to register with BHEL as permanent supplier by submitting the Supplier Registration Form (SRF) in online supplier registration portal (<https://supplier.bhel.in/>).
 15. The General Conditions of Contract and the Special Conditions in each enquiry and the resulting purchase order constitute the entire contract between the parties. In case of any discrepancy between the provisions of General Conditions of Contract and Special Conditions of the Tender,

Signature Not Verified

Signed By: AMAN SHARMA

Location: BHEL, Goindwal

Signing Date: 04.12.2023





General Conditions of Contract (GCC) of MM Tenders
BHARAT HEAVY ELECTRICALS LIMITED

Industrial Valve Plant: 433, Industrial Complex,
Goindwal Sahib, Dist. Tarn Taran,
Punjab-143422 (INDIA)

the provisions in Special Conditions of the Tender shall prevail and interpretation of BHEL of such condition/clause will be final and binding on both the parties ..





General Conditions of Contract (GCC) of MM Tenders

BHARAT HEAVY ELECTRICALS LIMITED

Industrial Valve Plant: 433, Industrial Complex,
Goindwal Sahib, Dist. Tarn Taran,
Punjab-143422 (INDIA)

Annexure-X

BRIEF PROCEDURE FOR CONDUCT OF CONCILIATION PROCEEDINGS

1. The proceedings of Conciliation shall broadly be governed by Part-III of the Arbitration and Conciliation Act 1996 or any statutory modification thereof and as provided herein:
2. The party desirous of resorting to Conciliation shall send an invitation/notice in writing to the other party to conciliate specifying all points of Disputes with details of the amount claimed. The party concerned shall not raise any new issue thereafter. Parties shall also not claim any interest on claims/counter-claims from the date of notice invoking Conciliation till the conclusion of the Conciliation proceedings.
3. The party receiving the invitation/notice for Conciliation shall within 30 days of receipt of the notice of Conciliation intimate its consent for Conciliation along with its counter-claims, if any.
4. The Conciliation in a matter involving claim or counter-claim (whichever is higher) up to Rs 5 crores shall be carried out by sole Conciliator nominated by BHEL while in a matter involving claim or counter-claim (whichever is higher) of more than Rs 5 crores Conciliation shall be carried out by 3 Conciliators nominated by BHEL.
5. The Parties shall be represented by only their duly authorized in-house executives/officers and neither Party shall be represented by a Lawyer.
6. The first meeting of the IEC shall be convened by the IEC by sending appropriate communication/notice to both the parties as soon as possible but not later than 30 days from the date of his/their appointment. The hearings in the Conciliation proceeding shall ordinarily be concluded within two (2) months and, in exceptional cases where parties have expressed willingness to settle the matter or there exists possibility of settlement in the matter, the proceedings may be extended by the IEC by a maximum of further 2 months with the consent of the Parties subject to cogent reasons being recorded in writing.
7. The IEC shall thereafter formulate recommendations for settlement of the Disputes supported by reasons at the earliest but in any case, within 15 days from the date of conclusion of the last hearing. The recommendations so formulated along with the reasons shall be furnished by the IEC to both the Parties at the earliest but in any case, within 1 month from the date of conclusion of the last hearing.
8. Response/modifications/suggestions of the Parties on the recommendations of the IEC are to be submitted to the IEC within time limit stipulated by the IEC but not more than 15 days from the date of receipt of the recommendations from the IEC.
9. In the event, upon consideration, further review of the recommendations is considered necessary, whether by BHEL or by the other Party, then, the matter can be remitted back to the IEC with

Signature Not Verified
Signed By: AMAN SHARMA
Location: BHEL, Goindwal
Signing Date: 04.12.2023





General Conditions of Contract (GCC) of MM Tenders

BHARAT HEAVY ELECTRICALS LIMITED

Industrial Valve Plant: 433, Industrial Complex,
Goindwal Sahib, Dist. Tarn Taran,
Punjab-143422 (INDIA)

- request to reconsider the same in light of the issues projected by either/both the Parties and to submit its recommendations thereon within the following 15 days from the date of remitting of the case by either of the Parties.
10. Upon the recommendations by the Parties, with or without modifications, as considered necessary, the IEC shall be called upon to draw up the Draft Settlement Agreement in terms of the recommendations.
 11. When a consensus can be arrived at between the parties only in regard to any one or some of the issues referred for Conciliation the draft Settlement Agreement shall be accordingly formulated in regard to the said Issue(s), and the said Settlement Agreement, if signed, by the parties, shall be valid only for the said issues. As regards the balance issues not settled, the parties may seek to resolve them further as per terms and conditions provided in the contract.
 12. In case no settlement can be reached between the parties, the IEC shall by a written declaration, pronounce that the Conciliation between the parties has failed and is accordingly terminated.
 13. Unless the Conciliation proceedings are terminated in terms of para 22 (b), (c) & (d) herein below, the IEC shall forward his/its recommendations as to possible terms of settlement within one (1) month from the date of last hearing. The date of first hearing of Conciliation shall be the starting date for calculating the period of 2 months.
 14. In case of 3 members IEC, 2 members of IEC present will constitute a valid quorum for IEC and meeting can take place to proceed in the matter after seeking consent from the member who is not available. If necessary, videoconferencing may be arranged for facilitating participation of the members. However, the IEC recommendations will be signed by all members. Where there is more than one (1) Conciliator, as a general rule they shall act jointly. In the event of differences between the Members of IEC, the decision/recommendations of the majority of the Members of IEC shall prevail and be construed as the recommendation of the IEC.
 15. The Draft Settlement Agreement prepared by the IEC in terms of the consensus arrived at during the Conciliation proceedings between the Parties shall be given by the IEC to both the parties for putting up for approval of their respective Competent Authority.
 16. Before submitting the draft settlement agreement to BHEL's Competent Authority viz. the Board Level Committee on Alternative Dispute Resolution (BLCADR) for approval, concurrence of the other party's Competent Authority to the draft settlement agreement shall be obtained by the other party and informed to BHEL within 15 days of receipt of the final draft settlement agreement by it. Upon approval by the Competent Authority, the Settlement Agreement would thereafter be signed by the authorized representatives of both the Parties and authenticated by the members of the IEC.
 17. In case the Draft Settlement Agreement is rejected by the Competent Authority of BHEL or the other Party, the Conciliation proceedings would stand terminated.

Signature Not Verified
Signed By: AMAN SHARMA
Location: BHEL Goindwal
Signing Date: 04.12.2023





General Conditions of Contract (GCC) of MM Tenders

BHARAT HEAVY ELECTRICALS LIMITED

Industrial Valve Plant: 433, Industrial Complex,
Goindwal Sahib, Dist. Tarn Taran,
Punjab-143422 (INDIA)

18. A Settlement Agreement shall contain a statement to the effect that each of the person(s) signing thereto (i) is fully authorized by the respective Party(ies) he/she represents, (ii) has fully understood the contents of the same and (iii) is signing on the same out of complete freewill and consent, without any pressure, undue influence.
19. The Settlement Agreement shall thereafter have the same legal status and effect as an arbitration award on agreed terms on the substance of the dispute rendered by an arbitral tribunal passed under section 30 of the Arbitration and Conciliation Act, 1996.
20. Acceptance of the Draft Settlement Agreement/recommendations of the Conciliator and/or signing of the Settlement Agreement by BHEL shall however, be subject to withdrawal/closure of any arbitral and/or judicial proceedings initiated by the concerned Party in regard to such settled issues.
21. Unless otherwise provided for in the agreement, contract or the Memorandum of Understanding, as the case may be, in the event of likelihood of prolonged absence of the Conciliator or any member of IEC, for any reason/incapacity, the Competent Authority/Head of Unit/Division/Region/Business Group of BHEL may substitute the Conciliator or such member at any stage of the proceedings. Upon appointment of the substitute Conciliator(s), such reconstituted IEC may, with the consent of the Parties, proceed with further Conciliation into the matter either de-novo or from the stage already reached by the previous IEC before the substitution.
22. The proceedings of Conciliation under this Scheme may be terminated as follows:
- On the date of signing of the Settlement agreement by the Parties; or,
 - By a written declaration of the IEC, after consultation with the parties, to the effect that further efforts at conciliation are no longer justified, on the date of the declaration; or,
 - By a written declaration of the Parties addressed to the IEC to the effect that the Conciliation proceedings are terminated, on the date of the declaration; or,
 - By a written declaration of a Party to the other Party and the IEC, if appointed, to the effect that the Conciliation proceedings are terminated, on the date of the declaration.
 - On rejection of the Draft Settlement Agreement by the Competent Authority of BHEL or the other Party.





General Conditions of Contract (GCC) of MM Tenders

BHARAT HEAVY ELECTRICALS LIMITED

Industrial Valve Plant: 433, Industrial Complex,
Goindwal Sahib, Dist. Tarn Taran,
Punjab-143422 (INDIA)

23. The Conciliator(s) shall be entitled to following fees and facilities:

Sr. No.	Particulars	Amount
1	Sitting fees	Each Member shall be paid a Lump Sum fee of Rs 75,000/- for the whole case payable in terms of paragraph No. 27 herein below.
2	Towards drafting of settlement agreement	<p>In cases involving claim and/or counter-claim of up to Rs 5crores. Rs 50,000/- (Sole Conciliator)</p> <p>In cases involving claim and/or counter-claim of exceeding Rs 5 crores but less than Rs 10 crores. Rs. 75,000 (per Conciliator)</p> <p>In cases involving claim and/or counter-claim of more than Rs 10 crores. Rs 1,00,000/- (per Conciliator)</p> <p>Note: The aforesaid fees for the drafting of the Settlement Agreement shall be paid on Signing of the Settlement Agreement after approval of the Competent Authority or Rejection of the proposed Settlement Agreement by the Competent Authority of BHEL.</p>
3	Secretarial expenses	<p>Rs 10,000/- (one time) for the whole case for Conciliation by a Sole Member IEC.</p> <p>Where Conciliation is by multi member Conciliators –Rs 30,000/- (one time)- to be paid to the IEC</p>
4	Travel and transportation and stay at outstation	As per entitlement of the equivalent officer (pay scale wise) in BHEL.
	i Retired Senior Officials of other Public Sector Undertakings (pay scale wise equivalent to or more than E-8 level of BHEL)	
	Others	As per the extant entitlement of whole time Functional Directors in BHEL.

Signature Not Verified

Signed By: AMAN SHARMA

Location: BHEL, Goindwal

Signing Date: 04.12.2023





General Conditions of Contract (GCC) of MM Tenders BHARAT HEAVY ELECTRICALS LIMITED

Industrial Valve Plant: 433, Industrial Complex,
Goindwal Sahib, Dist. Tarn Taran,
Punjab-143422 (INDIA)

5	Venue for meeting	Unless otherwise agreed in the agreement, contract or the Memorandum of Understanding, as the case may be, the venue/seat of proceedings shall be the location of the concerned Unit / Division / Region / Business Group of BHEL. Without prejudice to the seat/venue of the Conciliation being at the location of concerned BHEL Unit / Division / Region / Business Group, the IEC after consulting the Parties may decide to hold the proceedings at any other place/venue to facilitate the proceedings. Unless, Parties agree to conduct Conciliation at BHEL premises, the venue is to be arranged by either Party alternately.
---	-------------------	--

24. The parties will bear their own costs including cost of presenting their cases/evidence/witness(es)/expert(s) on their behalf. The parties agree to rely upon documentary evidence in support of their claims and not to bring any oral evidence in IEC proceedings.

25. If any witness(es) or expert(s) is/are, with the consent of the parties, called upon to appear at the instance of the IEC in connection with the matter, then, the costs towards such witness(es)/expert(s) shall be determined by the IEC with the consent of the Parties and the cost so determined shall be borne equally by the Parties.

26. The other expenditures/costs in connection with the Conciliation proceedings as well as the IEC's fees and expenses shall be shared by the Parties equally.

27. Out of the lump sum fees of Rs 75,000/- for Sitting Fees, 50% shall be payable after the first meeting of the IEC and the remaining 50% of the Sitting Fees shall be payable only after termination of the conciliation proceedings in terms of para 22 hereinabove.

28. The travelling, transportation and stay at outstation shall be arranged by concerned Unit as per entitlements as per Serial No. 3 of the Table at para 23 above, and in case such arrangements are not made by the BHEL Unit, the same shall be reimbursed to the IEC on actuals limited to their entitlement as per Serial No. 4 of the Table at Para 23 above against supporting documents. The IEC Member(s) shall submit necessary invoice for claiming the fees/reimbursements.

29. The Parties shall keep confidential all matters relating to the conciliation proceedings. Confidentiality shall extend also to the settlement agreement, except where its disclosure is necessary for purposes of its implementation and enforcement or as required by or under a law or as per directions of a Court/Governmental authority/ regulatory body, as the case may be.

30. The Parties shall not rely upon or introduce as evidence in any further arbitral or judicial proceedings, whether or not such proceedings relate to the Disputes that is the subject of the Conciliation proceedings:

Signature Not Verified
Signed By: AMAN SHARMA
Location: BHEL, Goindwal
Signing Date: 04.12.2023





General Conditions of Contract (GCC) of MM Tenders

BHARAT HEAVY ELECTRICALS LIMITED

Industrial Valve Plant: 433, Industrial Complex,
Goindwal Sahib, Dist. Tarn Taran,
Punjab-143422 (INDIA)

- a. Views expressed or suggestions made by the other party in respect of a possible settlement of the Disputes;
- b. admissions made by the other party in the course of the Conciliator proceedings;
- c. proposals made by the Conciliator;
- d. The fact that the other Party had indicated his willingness to accept a proposal for settlement made by the Conciliator.

31. The Parties shall not present the Conciliator(s) as witness in any Alternative Dispute Resolution or Judicial proceedings in respect of a Disputes that is/was the subject of that particular Conciliation proceeding.

32. None of the Conciliators shall act as an arbitrator or as a representative or counsel of a Party in any arbitral or judicial proceeding in respect of a Disputes that is/was the subject of that particular Conciliation proceeding.

33. The Parties shall not initiate, during the Conciliation proceedings, any arbitral or judicial proceedings in respect of a Disputes that is the subject matter of the Conciliation proceedings except that a Party may initiate arbitral or judicial proceedings where, in his opinion, such proceedings are necessary for preserving his rights including for preventing expiry of period of limitation. Unless terminated as per the provisions of this Scheme, the Conciliation proceedings shall continue notwithstanding the commencement of the arbitral or judicial proceedings and the arbitral or judicial proceedings shall be primarily for the purpose of preserving rights including preventing expiry of period of limitation.

34. The official language of Conciliation proceedings under this Scheme shall be English unless the Parties agree to some other language.





General Conditions of Contract (GCC) of MM Tenders

BHARAT HEAVY ELECTRICALS LIMITED

Industrial Valve Plant: 433, Industrial Complex,
Goindwal Sahib, Dist. Tarn Taran,
Punjab-143422 (INDIA)

Appendix-I of Annexure-X

FORMAT FOR SEEKING CONSENT FOR REFERRING THE DISPUTES TO CONCILIATION THROUGH IEC

To,

M/s. (Stakeholder's name)

Sub: Resolution of the Disputes through conciliation by Independent Expert Committee (IEC).

Ref: Contract No/MoU/Agreement/LOI/LOA& date _____.

Sir,

With reference to above referred Contract/MoU/Agreement/LOI/LOA, you have raised certain Disputes/claims. Vide your letter dated____ you have requested BHEL to refer the Disputes/claims to IEC for Conciliation.

We are enclosing herewith Format (3) for giving consent and the terms and conditions of BHEL Conciliation Scheme, 2018 governing conciliation through IEC. You are requested to give your unconditional consent to the said terms and conditions of the Scheme by returning the same duly sealed and signed on each page. On receipt of your consent, matter will be put to the Competent Authority for consideration and decision.

Please note that BHEL has also certain claims against you (if applicable). BHEL reserves its right to agree or not to agree conciliation of the said disputes through BHEL and this letter is being issued without prejudice to BHEL's rights and contentions available under the contract and law.

Yours faithfully,

Representative of BHEL





General Conditions of Contract (GCC) of MM Tenders

BHARAT HEAVY ELECTRICALS LIMITED

Industrial Valve Plant: 433, Industrial Complex,
Goindwal Sahib, Dist. Tarn Taran,
Punjab-143422 (INDIA)

Appendix-II of Annexure-X

FORMAT FOR GIVING CONSENT BY CONTRACTOR/VENDOR/CUSTOMER/COLLABORATOR/CONSORTIUM PARTNERS FOR REFERRING THE DISPUTES TO CONCILIATION THROUGH IEC

To,

BHEL

.....

Sub: Resolution of Disputes through Conciliation by Independent Expert Committee (IEC).

Ref: Contract/MoU/Agreement/LOI/LOA No

& date ____

With reference to above referred contract, our following bills/invoices/claims submitted to BHEL are still unpaid giving rise to Disputes:

SL. no.	Claim Description	Bill submitted to BHEL (no. and date)	Amount of the bill/claim	Amount received from BHEL	Outstanding Amount

Accordingly, we request you to kindly refer the Disputes in respect of above claims to IEC for Conciliation.

We hereby agree and give our unconditional consent to the terms and conditions of BHEL Conciliation Scheme, 2018 governing conciliation through IEC. We have signed the same on each page and enclosed it for your consideration.

Yours faithfully,

(Signature with stamp)

**Authorized Representative of Contractor
Name, with designation Date**





General Conditions of Contract (GCC) of MM Tenders

BHARAT HEAVY ELECTRICALS LIMITED

Industrial Valve Plant: 433, Industrial Complex,
Goindwal Sahib, Dist. Tarn Taran,
Punjab-143422 (INDIA)

Appendix-III of Annexure-X

STATEMENT OF CLAIMS/COUNTER CLAIMS TO BE SUBMITTED TO THE IEC BY BOTH THE PARTIES

1. Chronology of the Disputes
2. Brief of the Contract/MoU/Agreement/LOI/LOA
3. Brief history of the Disputes:
4. Issues:
5. Details of Clam(s)/Counter Claim(s):

SI. No.	Description of claim(s)/Counter Claim	Amount (in INR) Or currency applicable in the contract	Relevant contract clause

6. Basis/Ground of claim(s)/counter claim(s) (along with relevant clause of contract)

Note– The Statement of Claims/Counter Claims may ideally be restricted to maximum limit of 20 pages. Relevant documents may be compiled and submitted along with the statement of Claims/Counter Claims. The statement of Claims/Counter Claims is to be submitted to all IEC members and to the other party by post as well as by email.

