

14.0 Settlement of Disputes

If any dispute or difference of any kind whatsoever shall arise between BHEL and the Supplier/Vendor, arising out of the contract for the performance of the work whether during the progress of contract termination, abandonment or breach of the contract, it shall in the first place referred to Designated Engineer for amicable resolution by the parties. Designated Engineer (to be nominated by BHEL for settlement of disputes arising out of the contract) who within 60 days after being requested shall give written notice of his decision to the contractor. Save as hereinafter provided, such decision in respect of every matter so referred shall forthwith be given effect to by the Supplier/Vendor who shall proceed with the work with all due diligence, whether he or BHEL desires to resolve the dispute as hereinafter provided or not.

If after the Designated Engineer has given written notice of this decision to the party and no intention to pursue the dispute has been communicated to him by the affected party within 30 days from the receipt of such notice, the said decision shall become final and binding on the parties. In the event the Supplier/Vendor being dissatisfied with any such decision or if amicable settlement cannot be reached then all such disputed issues shall be resolved through conciliation in terms of the BHEL Conciliation Scheme 2018 as per Clause 14.1

14.1 CONCILIATION

Any dispute, difference or controversy of whatever nature howsoever arising under or out of or in relation to this Agreement (including its interpretation) between the Parties, and so notified in writing by either Party to the other Party (the "Dispute") shall, in the first instance, be attempted to be resolved amicably in accordance with the conciliation procedure as per BHEL Conciliation Scheme 2018. The proceedings of Conciliation shall broadly be governed by Part-III of the Arbitration and Conciliation Act 1996 or any statutory modification thereof and as provided in - "Procedure for conduct of conciliation proceedings" (as available in www.bhel.com) and also attached as Annexure A to this tender.

Note: Ministry of Finance has issued OM reference No. 1/2/24 dated 03.06.2024 regarding "Guidelines for Arbitration and Mediation in Contracts of Domestic Public Procurement. In the said OM it has been recommended that Government departments/ Entities/agencies are to encourage mediation under the Mediation Act. 2023.

Entities/agencies are to encourage mediation under the Mediation Act. 2023. The said Act has not yet been notified by the Government. Therefore, the clause "Settlement of Disputes" shall be modified accordingly as and when the Mediation Act 2023 gets notified.

14.2 ARBITRATION

14.2.1 Except as provided elsewhere in this contract, in case Parties are unable to reach an amicable settlement (whether by Conciliation to be conducted as provided in Clause 14.1 herein above or otherwise) in respect of any dispute or difference; arising out of the formation, breach, termination, validity or execution of the Contract; or, the respective rights and liabilities of the Parties; or, in relation to interpretation of any provision of the Contract; or, in any manner touching upon the Contract (hereinafter referred to as the 'Dispute'), then, either Party may,

refer the disputes to Arbitral Institution “**Arbitration & Conciliation Centre, Bengaluru (Domestic and International)**” and such dispute to be adjudicated by Sole Arbitrator appointed in accordance with the Rules of the said Arbitral Institution.

14.2.2 A Party willing to commence arbitration proceeding shall invoke Arbitration Clause by giving notice to the other party in terms of section 21 of The Arbitration and Conciliation Act, 1996 (hereinafter referred to as the ‘Notice’) before referring the matter to arbitral institution. The Notice shall be addressed to the Head of the Region, Power Sector/ Unit, BHEL, executing the Contract and shall contain the particulars of all claims to be referred to arbitration with sufficient detail and shall also indicate the monetary amount of such claim including interest, if any.

14.2.3 After expiry of 30 days from the date of receipt of aforesaid notice, the party invoking the Arbitration shall submit that dispute to the **Arbitration & Conciliation Centre, Bengaluru (Domestic and International)** and that dispute shall be adjudicated in accordance with their respective Arbitration Rules. The matter shall be adjudicated by a Sole Arbitrator who shall necessarily be a Retd. Judge having considerable experience in commercial matters to be appointed/nominated by the respective institution. The cost/expenses pertaining to the said Arbitration shall also be governed in accordance with the Rules of the respective Arbitral Institution. The decision of the party invoking the Arbitration for reference of dispute to **Arbitration & Conciliation Centre, Bengaluru (Domestic and International)** for adjudication of that dispute shall be final and binding on both the parties and shall not be subject to any change thereafter. The institution once selected at the time of invocation of dispute shall remain unchanged.

14.2.4 The fee and expenses shall be borne by the parties as per the Arbitral Institutional rules.

14.2.5 The Arbitration proceedings shall be in English language and the seat and venue of Arbitration shall be in Bengaluru, Karnataka only.

14.2.6 Subject to the above, the provisions of The Arbitration & Conciliation Act, 1996 and any amendment thereof shall be applicable. All matters relating to this Contract and arising out of invocation of Arbitration clause are subject to the exclusive jurisdiction of the Court(s) situated at Bengaluru, Karnataka only.

14.2.7 Notwithstanding any reference to the Designated Engineer or Conciliation or Arbitration herein, the parties shall continue to perform their respective obligations under the Contract unless they otherwise agree. Settlement of Dispute clause cannot be invoked by the Contractor, if the Contract has been mutually closed or ‘No Demand Certificate’ has been furnished by the Contractor or any Settlement Agreement has been signed between the Employer and the Contractor.

14.2.8 It is agreed that Mechanism of resolution of disputes through arbitration shall be available only in the cases where the value of the dispute is less than Rs. 10 Crores.

14.2.9 In case the disputed amount Claim, Counter claim including interest is Rs. 10 crores and above, the parties shall be within their rights to take recourse to remedies other than Arbitration, as may be available to them under the applicable laws after prior intimation to the other party. Subject to the aforesaid conditions, provisions of the Arbitration and Conciliation Act, 1996 and any statutory modifications or re-enactment thereof as amended from time to time, shall apply to the arbitration proceedings under this clause.

14.2.10 In case, multiple arbitrations are invoked (whether sub-judice or arbitral award passed) by any party to under this contract, then the cumulative value of claims (including interest claimed or awarded) in all such arbitrations shall be taken in to account while arriving at the total claim in dispute for the subject contract for the purpose of clause 14.2.9. Disputes having cumulative value of less than 10 crores shall be resolved through arbitration and any additional dispute shall be adjudicated by the court of competent jurisdiction.

14.2.11 In case of Contract with Public Sector Enterprise (PSE) or a Government Department, the following shall be applicable:

In the event of any dispute or difference relating to the interpretation and application of the provisions of commercial contract(s) between Central Public Sector Enterprises (CPSEs)/ Port Trusts inter se and also between CPSEs and Government Departments/Organizations (excluding disputes concerning Railways, Income Tax, Customs & Excise Departments), such dispute or difference shall be taken up by either party for resolution through AMRCD (Administrative Mechanism for Resolution of CPSEs Disputes) as mentioned in DPE OM No. 05/0003/2019-FTS-10937 dated 14-12-2022 as amended from time to time.

TECHNO COMMERCIAL BID COMPLIANCE

TENDER NO. RC/MP/NP/FAST/01

RATE CONTRACT FOR SUPPLY OF STUDS & INSERTS FOR NEW PRODUCTS

ESSENTIAL CRITERIA OF TECHNO COMMERCIAL OFFER ADDRESS OF THE FIRM

SL.NO	PARAMETER	BHEL SPEC/ REQUIREMENT	VENDOR TO SUBMIT THEIR ACCEPTANCE
1	Name of Contact person	To be mentioned	
2	E-mail ID	To be mentioned	
3	Mobile number	To be mentioned	
4	Are you MSE enterprises	If yes-enclose UDYAM certificate	
5	SCC document	Acceptance Required	
6	GCC document	Acceptance Required	
7	Annexure I, II, III, XII of GCC	To be filled by the bidder and submitted with seal & sign	
8	Annexure-A conciliation, Annexure-B	To be filled by the bidder and submitted with seal & sign	
9	Payment terms (refer SCC)	Acceptance Required	
10	RCqty_SOS_STC	Acceptance Required	
11	Annexure D & F	To be filled by the bidder and submitted with seal & sign	
12	Technical PQR	To be submitted with seal & sign	
13	Any Other Documents	To be mentioned	

NOTE: In case of any deviation to SCC/GCC/DRAWING, the same can be submitted through Annexure-II deviation sheet only. The unpriced Annexure-II deviation sheet has to be submitted with Part-I offer and cost of withdrawn i.e. Annexure-II deviation sheet- Priced copy to be submitted with Part-II offer.

SIGNATURE OF THE BIDDER WITH SEAL

ಭಾರತ್ ಹವಿ ಎಲೆಕ್ಟ್ರಿಕಲ್ಸ್ ಲಿಮಿಟೆಡ್

ಭಾರತ ಹವಿ ಇಲೆಕ್ಟ್ರಿಕಲ್ಸ್ ಲಿಮಿಟೆಡ್

Bharat Heavy Electricals Limited

SOLAR BUSINESS DIVISION

MALLESHWARAM, BANGALORE- 560012

Dept: NEW PRODUCTS

Phone: 080-2218 2440

Doc Ref: Annexure: ARC/26-27/NP/1601/01

Delivery Schedule:

SI No.	Material code of ARC MP	Item Description	ARC Quantity (Nos)	Weight/ piece(Grams)	Tentative Monthly Requirement	Delivery Schedule
1	EL9600321000	Ni.PLATED BRASS INS INSERTS 39876000321	14000	80.40	1500	Lot Size: 1500 Nos. First Lot: Within 45 days from PO Second Lot onwards: 1 Lot per Month i.e. 30 days per lot.
2	EL9600222002	Ni.PLATED BRASS INS INSERTS 39876000221	1200	8.89	120	Lot Size: 120 Nos. First Lot: Within 45 days from PO Second Lot onwards: 1 Lot per Month i.e. 30 days per lot.
3	EL9600221006	Ni.PLATED BRASS INS INSERTS 39876000222	1200	18.30	120	Lot Size: 120 Nos. First Lot: Within 45 days from PO Second Lot onwards: 1 Lot per Month i.e. 30 days per lot.
4	EL9600121001	Ni.PLATED BRASS INS INSERTS 39876000121	18000	3.90	2400	Lot Size: 2400 Nos. First Lot: Within 45 days from PO Second Lot onwards: 1 Lot per Month i.e. 30 days per lot.
5	EL1070004219	M8 STEEL STUD 4 987 60 00421 LOCO &ACEMU	13000	22.18	1500	Lot Size: 1500 Nos. First Lot: Within 45 days from PO Second Lot onwards: 1 Lot per Month i.e. 30 days per lot.

ಭಾರತ್ ಹವಿ ಎಲೆಕ್ಟ್ರಿಕಲ್ಸ್ ಲಿಮಿಟೆಡ್

ಭಾರತ ಹವಿ ಇಲೆಕ್ಟ್ರಿಕಲ್ಸ್ ಲಿಮಿಟೆಡ್

Bharat Heavy Electricals Limited

SOLAR BUSINESS DIVISION

MALLESHWARAM, BANGALORE- 560012

Dept: NEW PRODUCTS

Phone: 080-2218 2440

Doc Ref: Annexure: ARC/26-27/NP/1601/01

6	EL1070004227	M8 STEEL INSERT 4 987 60 00422 ACEMU	14000	7.20	1500	Lot Size: 1500 Nos. First Lot: Within 45 days from PO Second Lot onwards: 1 Lot per Month i.e. 30 days per lot.
7	EL1070004235	M8 STEEL STUD 4 987 60 00423 ACEMU	700	21.82	300	Lot Size: 300 Nos. First Lot: Within 45 days from PO Second Lot onwards: 1 Lot per Month i.e. 30 days per lot.
8	EL1070004278	M8 STEEL STUD 4 987 60 00423 ACEMU	6500	11.80	500	Lot Size: 500 Nos. First Lot: Within 45 days from PO Second Lot onwards: 1 Lot per Month i.e. 30 days per lot.
9	EL1070004243	M8 steel insert for 32 dia ACEMU (M-F & F-F) 4 987 60 00424	600	20.00	300	Lot Size: 300 Nos. First Lot: Within 45 days from PO Second Lot onwards: 1 Lot per Month i.e. 30 days per lot.

The quantity is tentative. Firm quantity will be awarded to vendor through purchase orders issued from time to time. The actual quantity awarded can be less than the tendered quantity. Vendor can-not make any claim for award of entire tendered quantity. Work order will be awarded will be strictly as per BHEL's requirement from time to time.

Technical Pre-Qualification Criterion:

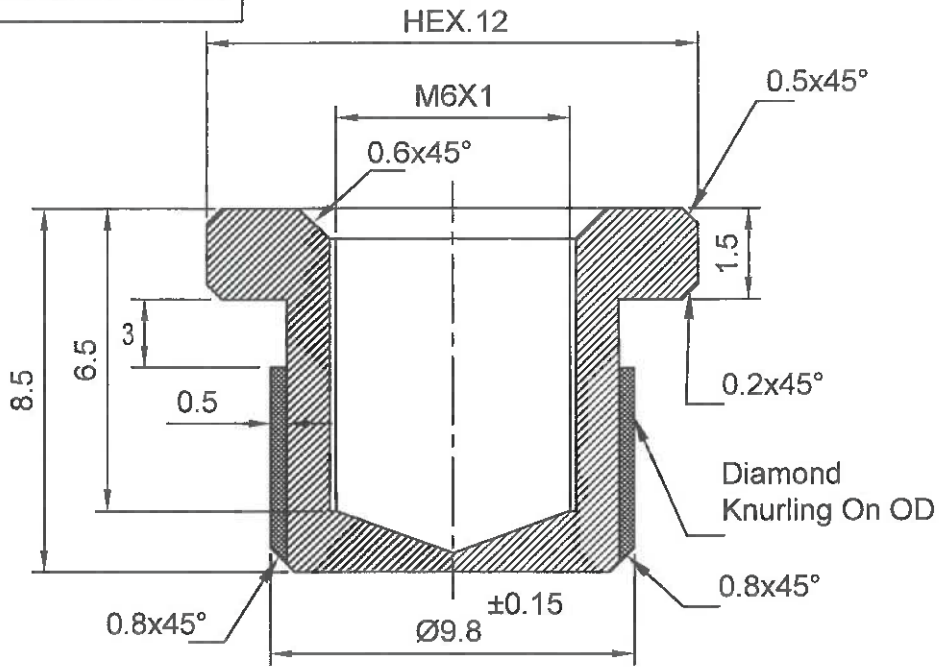
1. Bidder should have experience in the field of manufacturing and supply of Stainless Steel & Brass or similar metal parts. Minimum cumulative quantity supplied in last 7 years from the date of Technical Bid Opening.: 1000 Nos. Supporting documents: Purchase Order (PO) Copy signed, signed Invoice for the same PO, Drawing of Material Supplied.
2. BHEL Reserve the right for evaluation of the compliance to Pre-Qualification requirements.

FIRST ANGLE PROJECTION

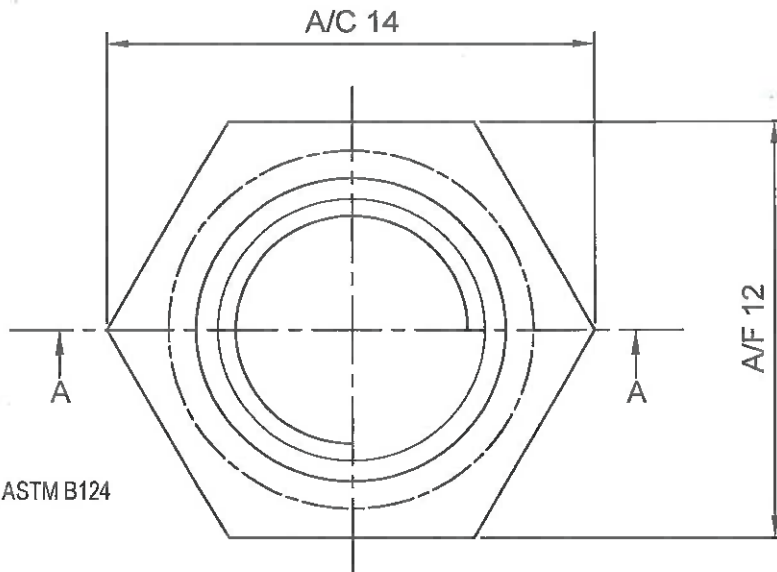
ALL DIMENSIONS ARE IN mm

THE INFORMATION ON THIS DOCUMENT IS THE PROPERTY OF BHARAT HEAVY ELECTRICALS LIMITED., IT MUST NOT BE USED DIRECTLY OR INDIRECTLY IN ANY WAY DETRIMENTAL TO THE INTEREST OF THE COMPANY

REV.	DATE	ALTERED
		CHECKED
		1. HEXAGONAL DIM ADDED DRG.. REVISIED & REDRAWN



SECTION A-A



Notes:

- 1) Material:-BRASS AS PER ASTM B124 GRADE C37700
- 2) Hardness:- HRB 55 (Min)
- 3) General Tolerance:- ±0.1
- 4) Pitch : Diamond Knurling 2.5
- 5) Area without knurling - surface finish - 3.2
- 6) Threads should conform to M6 go & No go plug gauge AFTER NICKEL PLATING
- 7) NICKEL PLATED ; 20 to 22 microns



BHARAT HEAVY ELECTRICALS LTD;
SOLAR BUSINESS DIVISION
BANGALORE 560 012

	NAME	SIGN	DATE
DRN	Chandrashekar	<i>Chand</i>	30.11.2023
CHD	Vijay kumar M	<i>Vijay</i>	30.11.2023
APPD	Navit Mahajan	<i>Navit</i>	30.11.2023

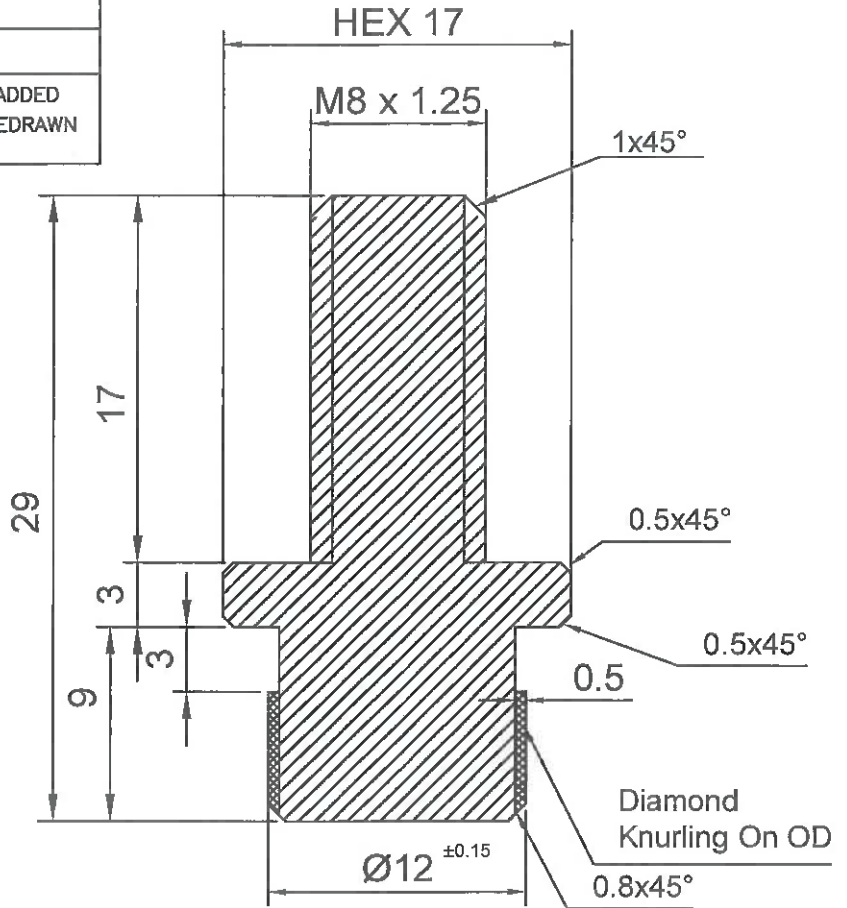
DEPT	GRADE OF TOL. DIM.		SCALE	WEIGHT (grms.)	REF. TO ASSY DRG.	ITEM No.	No.OF ITEMS
CODE	C/M/F		NTS	4.0 (Approx)			
INVENTORY No.	TITLE			CARD CODE	DRAWING No.	REV	
	BRASS INSERT			24	3 987 60 00121	01	
					SHEET No.	No.OF SHEETS	

FIRST ANGLE PROJECTION

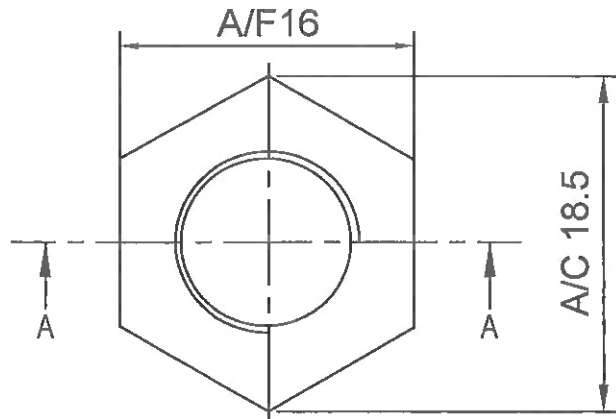
ALL DIMENSIONS ARE IN mm

THE INFORMATION ON THIS DOCUMENT IS THE PROPERTY OF BHARAT HEAVY ELECTRICALS LIMITED., IT MUST NOT BE USED DIRECTLY OR INDIRECTLY IN ANY WAY DETRIMENTAL TO THE INTEREST OF THE COMPANY

REV.	DATE	ALTERED
		CHECKED
		1. HEXAGONAL DIM ADDED DRG.. REVISIED & REDRAWN



SECTION A-A



Notes:

- 1) Material:-BRASS AS PER ASTM B124 GRADE C37700
- 2) Hardness:- HRB 55 (Min)
- 3) General Tolerance:- ± 0.1
- 4) Pitch : Diamond Knurling 2.5
- 5) Area without knurling - surface finish - 3.2
- 6) Threads should conform to M8 go & No go ring gauge AFTER NICKEL PLATING
- 7) NICKEL PLATED ; 20 to 22 microns



BHARAT HEAVY ELECTRICALS LTD;
SOLAR BUSINESS DIVISION
BANGALORE 560 012

	NAME	SIGN	DATE
DRN	Chandrasekhara	<i>Chandrasekhara</i>	30.11.2023
CHD	Vijay kumar M	<i>Vijay kumar M</i>	30.11.2023
APPD	Navit Mahajan	<i>Navit Mahajan</i>	30.11.2023

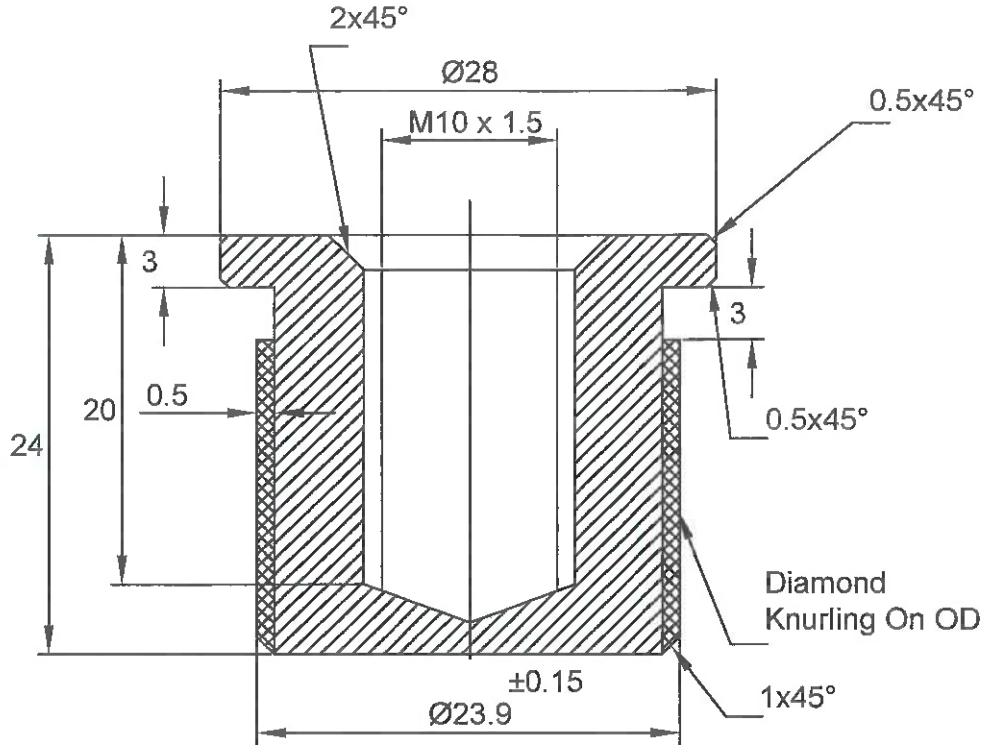
DEPT	GRADE OF TOL. DIM.		SCALE	WEIGHT (grms.)	REF. TO ASSY DRG.	ITEM No.	No. OF ITEMS
CODE	C/M/F		N T S	18.5 (Approx)			

TITLE	CARD CODE	DRAWING No.	REV
BRASS INSERT	05	3 987 60 00221	01
SHEET No.		No. OF SHEETS	

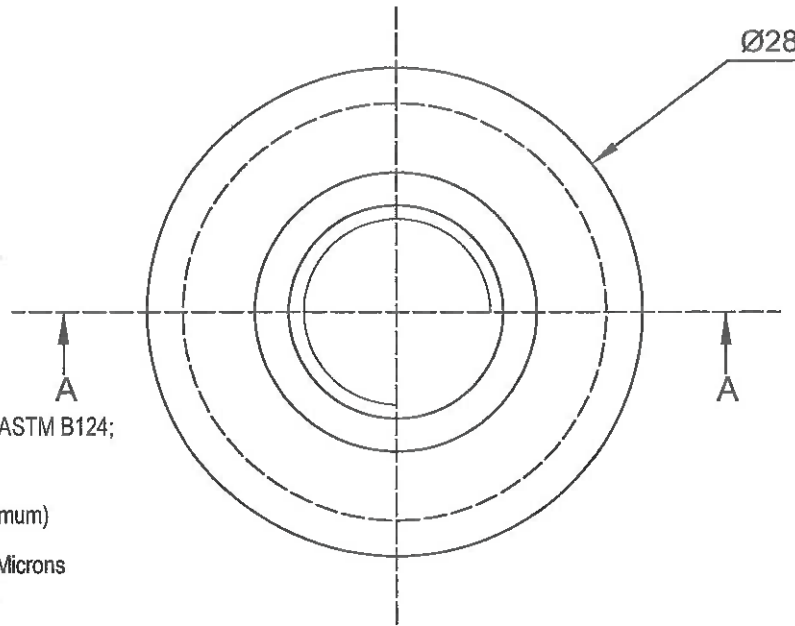
FIRST ANGLE PROJECTION

ALL DIMENSIONS ARE IN mm

THE INFORMATION ON THIS DOCUMENT IS THE PROPERTY OF BHARAT HEAVY ELECTRICALS LIMITED. IT MUST NOT BE USED DIRECTLY OR INDIRECTLY IN ANY WAY DETRIMENTAL TO THE INTEREST OF THE COMPANY



SECTION A-A



Notes:

- 1) Material:- BRASS as per ASTM B124; Grade C37700
- 2) Hardness:- HRB 55 (Minimum)
- 3) Nickel Plated:- 20 To 22 Microns
- 4) General Tolerance:- ±0.1
- 5) Pitch : Diamond Knurling 2.5
- 6) Area without knurling - surface finish - 3.2
- 7) Threads should conform to M10 go & No go plug gauge after Nickel plating.

REV.	DATE	ALTERED
		CHECKED
		1. NICKEL PLATED THICKNESS 2. DIAMOND KNURLING DRG.. REVISED & REDRAWN



BHARAT HEAVY ELECTRICALS LTD;
SOLAR BUSINESS DIVISION
BANGALORE 560 012

	NAME	SIGN	DATE
DRN	Chandrahekhar	<i>Cloud</i>	30.11.2023
CHD	Vijay kumar M	<i>Vijay Kumar</i>	30.11.2023
APPD	Navit Mahajan	<i>Navit Mahajan</i>	30.11.2023

DEPT	GRADE OF TOL. DIM.	SCALE	WEIGHT (grms.)	REF. TO ASSY DRG.	ITEM No.	No. OF ITEMS
CODE	C/M/F		77.00 (Approx)	3 987 60 00300		

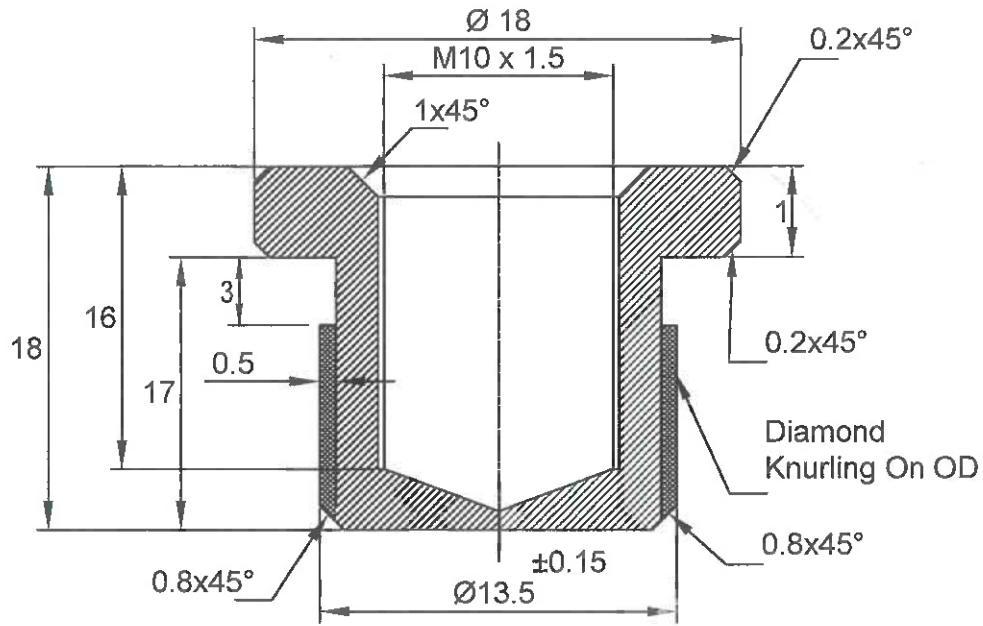
INVENTORY No.	TITLE	CARD CODE	DRAWING No.	REV
	BRASS INSERT		3 987 60 00321	01

SHEET No. No. OF SHEETS

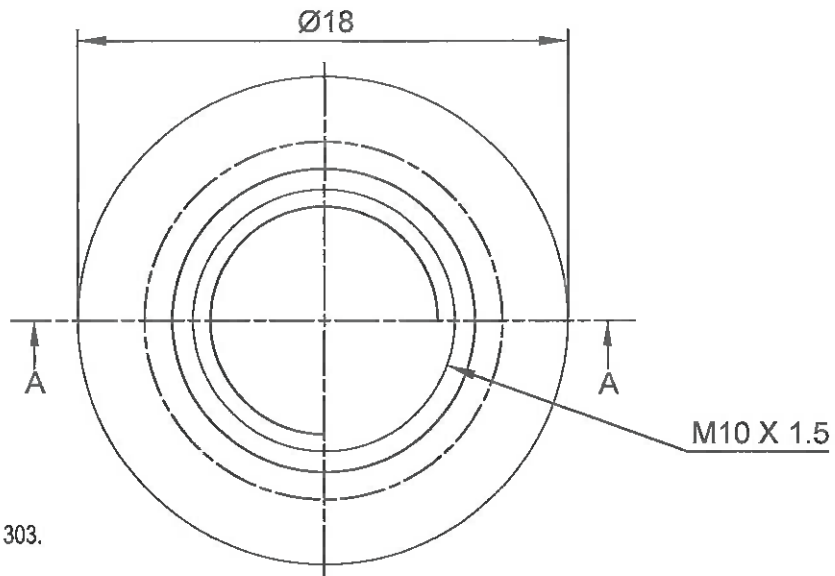
FIRST ANGLE PROJECTION

ALL DIMENSIONS ARE IN mm

THE INFORMATION ON THIS DOCUMENT IS THE PROPERTY OF BHARAT HEAVY ELECTRICALS LIMITED., IT MUST NOT BE USED DIRECTLY OR INDIRECTLY IN ANY WAY DETRIMENTAL TO THE INTEREST OF THE COMPANY



SECTION A-A



Notes:

- 1) Material:- STEEL Grade AISI 303.
- 2) Hardness:- HRB 55 (Min)
- 3) General Tolerance:- ±0.1
- 4) Pitch : Diamond Knurling 2.5
- 5) Area without knurling - surface finish - $3.2 \sqrt{\text{mm}}$
- 6) Threads should conform to M10 go & No go plug gauge.

REV.	DATE	ALTERED
		CHECKED
		1. DIAMOND KNURLING PITCH
		DRG.. REVISIED & REDRAWN



BHARAT HEAVY ELECTRICALS LTD;
SOLAR BUSINESS DIVISION
BANGALORE 560 012

	NAME	SIGN	DATE
DRN	Chandrahekhar	<i>Chand</i>	30.11.2023
CHD	Vijay kumar M	<i>Vijay Kumar</i>	30.11.2023
APPD	Navit Mahajan	<i>Navit Mahajan</i>	30.11.2023

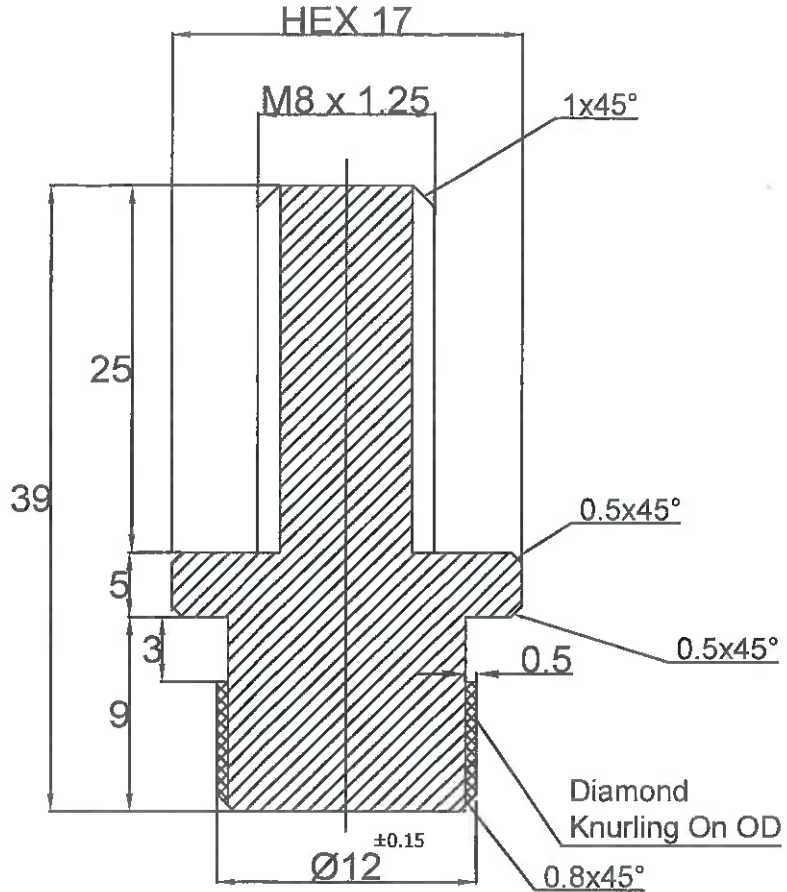
DEPT	GRADE OF TOL. DIM.	SCALE	WEIGHT (grms.)	REF. TO ASSY DRG.	ITEM No.	No. OF ITEMS
CODE	C/M/F		11.30 (Approx)	4 987 6001 300		
TITLE				CARD CODE	REV	
M10 STEEL INSERT FOR TRACTION AND ACEMU (48D/A)					4 987 60 00427 01	
INVENTORY No.				SHEET No.		No. OF SHEETS

FIRST ANGLE PROJECTION

ALL DIMENSIONS ARE IN mm

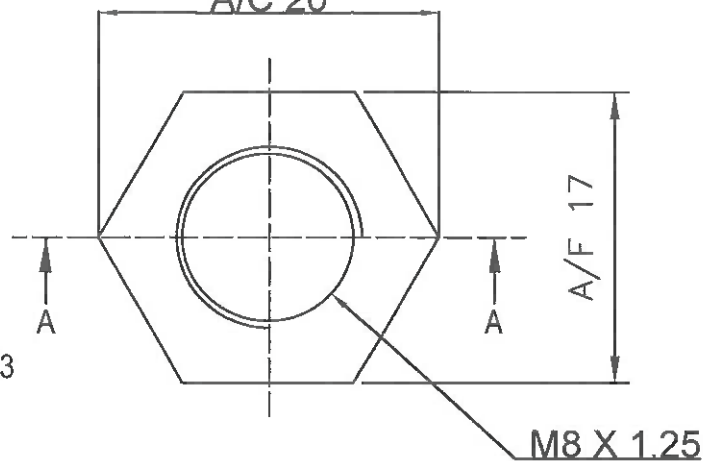
THE INFORMATION ON THIS DOCUMENT IS THE PROPERTY OF BHARAT HEAVY ELECTRICALS LIMITED., IT MUST NOT BE USED DIRECTLY OR INDIRECTLY IN ANY WAY DETRIMENTAL TO THE INTEREST OF THE COMPANY

REV.	DATE	ALTERED	CHECKED
1. HEXAGONAL DIM ADDED DRG.. REVISED & REDRAWN			



SECTION A-A

A/C 20



Notes:

- 1) Material:- Steel grade AISI 303
- 2) Hardness: HRB 55 (Min)
- 3) General Tolerance:- ± 0.1
- 4) Pitch : Diamond Knurling 2.5
- 5) Area without knurling - surface finish - $3.2/\sqrt{\text{ }}$
- 6) Threads should conform to M8 go & Nogo plug gauge.



BHARAT HEAVY ELECTRICALS LTD;
SOLAR BUSINESS DIVISION
BANGALORE 560 012

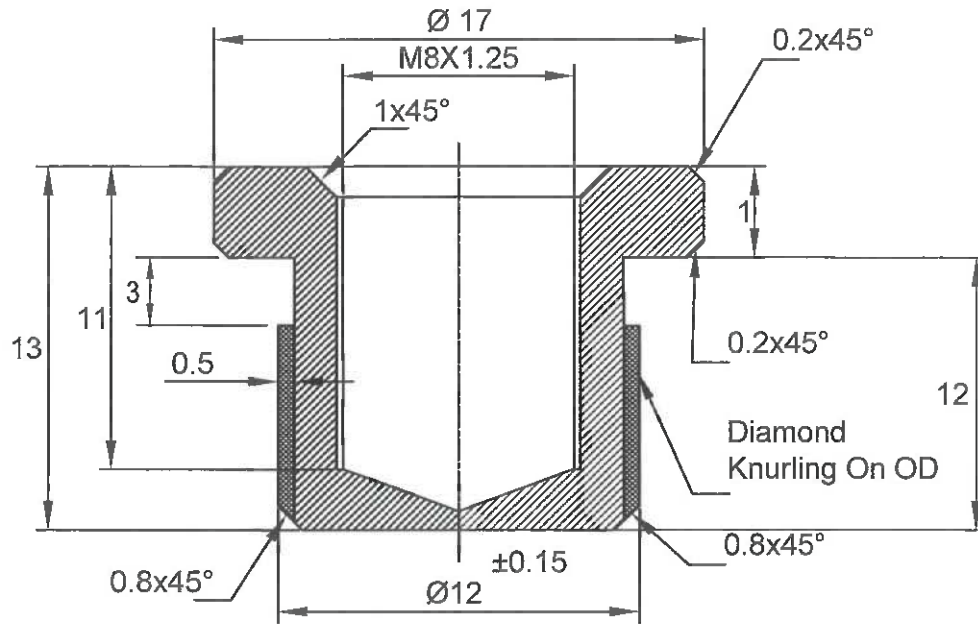
NAME	SIGN	DATE
DRN Chandrasekhara	<i>Chandrasekhara</i>	30.11.2023
CHD Vijay kumar M	<i>Vijay kumar M</i>	30.11.2023
APPD Navit Mahajan	<i>Navit Mahajan</i>	30.11.2023

DEPT	GRADE OF TOL. DIM.	SCALE	WEIGHT (grms.)	REF. TO ASSY DRG.	ITEM No.	No. OF ITEMS
CODE	C/M/F		25.00 (Approx)	4 987 6000 700		
TITLE				CARD CODE	REV	
M8 STEEL STUD FOR LOCO & 32DIA ACEMU ²⁹				4 987 60 00421	01	
SHEET No.				No. OF SHEETS		

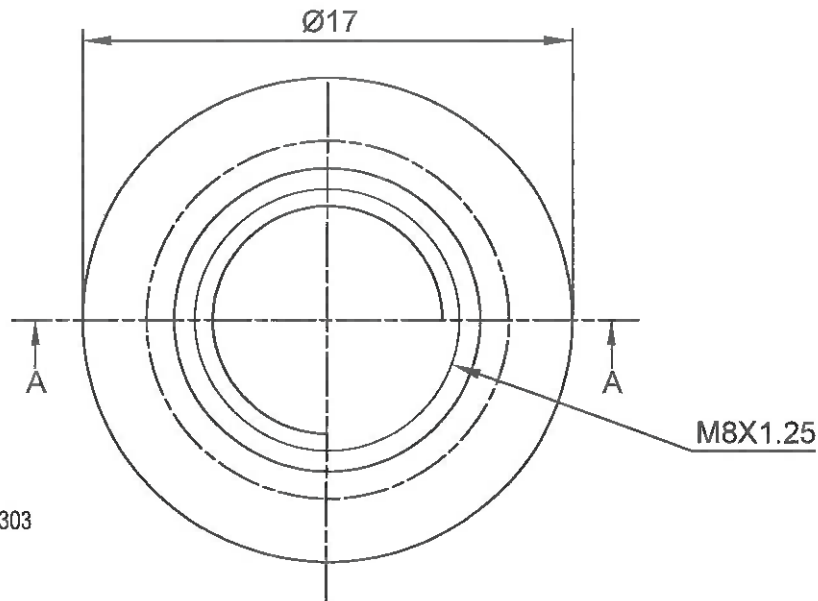
FIRST ANGLE PROJECTION

ALL DIMENSIONS ARE IN mm

THE INFORMATION ON THIS DOCUMENT IS THE PROPERTY OF BHARAT HEAVY ELECTRICALS LIMITED. IT MUST NOT BE USED DIRECTLY OR INDIRECTLY IN ANY WAY DETRIMENTAL TO THE INTEREST OF THE COMPANY



SECTION A-A



Notes:

- 1) Material:-STEEL Grade AISI 303
- 2) Hardness:- HRB 55 (Min)
- 3) General Tolerance:- ±0.1
- 4) Pitch : Diamond Knurling 2.5
- 5) Area without knurling - surface finish - 3.2
- 6) Threads should conform to M8 go & No go plug gauge.

REV.	DATE	ALTERED
		CHECKED
		1. DIAMOND KNURLING PITCH
		DRG.. REVISIED & REDRAWN



BHARAT HEAVY ELECTRICALS LTD;
SOLAR BUSINESS DIVISION
BANGALORE 560 012

	NAME	SIGN	DATE
DRN	Chandrasekhar	<i>Chandrasekhar</i>	30.11.2023
CHD	Vijay kumar M	<i>Vijay</i>	30.11.2023
APPD	Navit Mahajan	<i>Navit</i>	30.11.2023

DEPT	GRADE OF TOL. DIM.	SCALE	WEIGHT (grms.)	REF. TO ASSY DRG.	ITEM No.	No.OF ITEMS
CODE	C/M/F	NTS	8.20 (Approx)	4 987 6000 700		

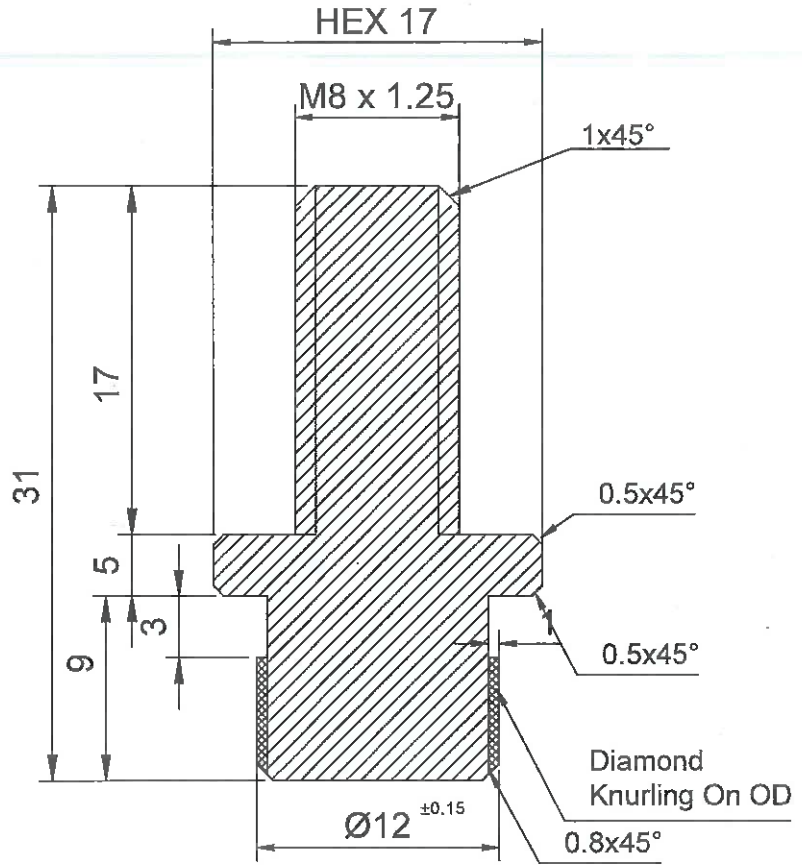
INVENTORY No.	TITLE	CARD CODE	DRAWING No.	REV
	M8 STEEL INSERT FOR LOCO 26DIA & 32DIA AND ACENU		4 987 60 00422	01

SHEET No.	No.OF SHEETS

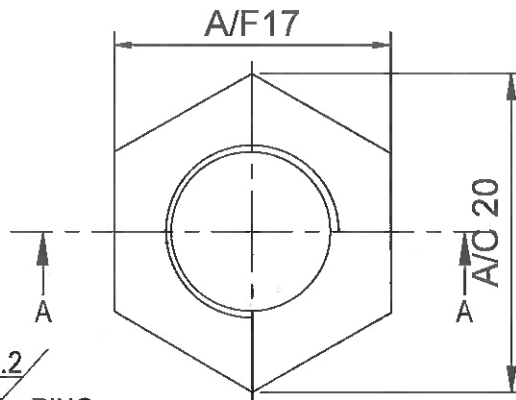
FIRST ANGLE PROJECTION

ALL DIMENSIONS ARE IN mm

THE INFORMATION ON THIS DOCUMENT IS THE PROPERTY OF BHARAT HEAVY ELECTRICALS LIMITED., IT MUST NOT BE USED DIRECTLY OR INDIRECTLY IN ANY WAY DETRIMENTAL TO THE INTEREST OF THE COMPANY



SECTION A-A



Notes:

- 1) Material:- Steel grade AISI 303
- 2) Hardness: HRB 55 (Min)
- 3) General Tolerance:- ± 0.1
- 4) Pitch : Diamond Knurling 1.5
- 5) Area without knurling - surface finish - 3.2
- 6) Threads should conform to M8 go & Nogo RING gauge.

REV.	DATE	ALTERED
		CHECKED
1. HEXAGONAL DIM ADDED DRG.. REVISIED & REDRAWN		

BHARAT HEAVY ELECTRICALS LTD.
ELECTROPORCELAINS DIVISION
BANGALORE 560 012

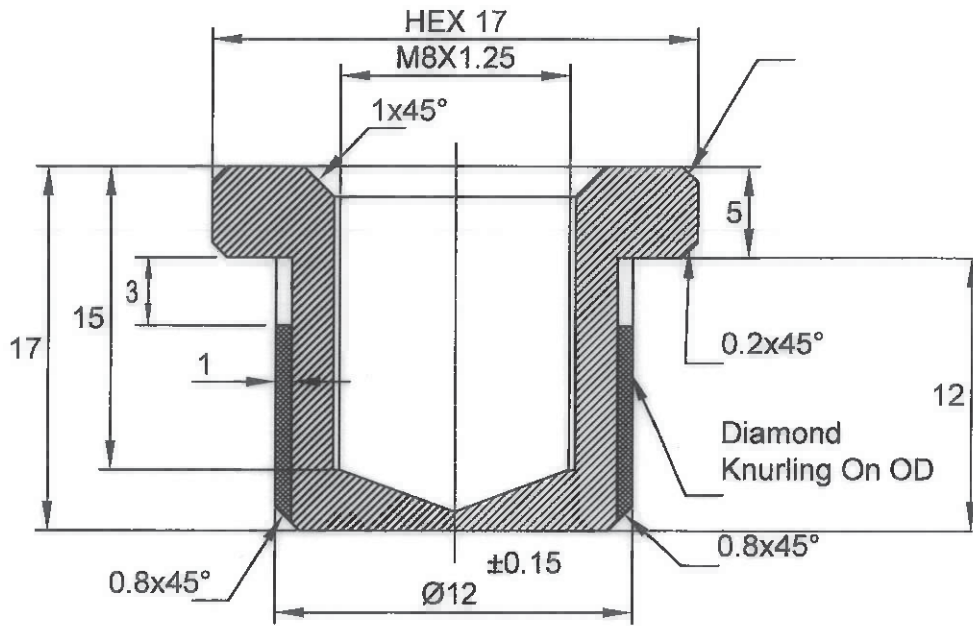
NAME	SIGN	DATE
DRN Chandrashekhara	<i>Chandrashekhara</i>	17-05-2022
CHD Navit Mahajan	<i>Navit Mahajan</i>	17-05-2022
APPD Yogesh Sharma		

DEPT	GRADE OF TOL. DIM.		SCALE	WEIGHT (grms.)	REF. TO ASSY DRG.	ITEM No.	No. OF ITEMS
CODE	C/M/F		N T S	(Approx)			

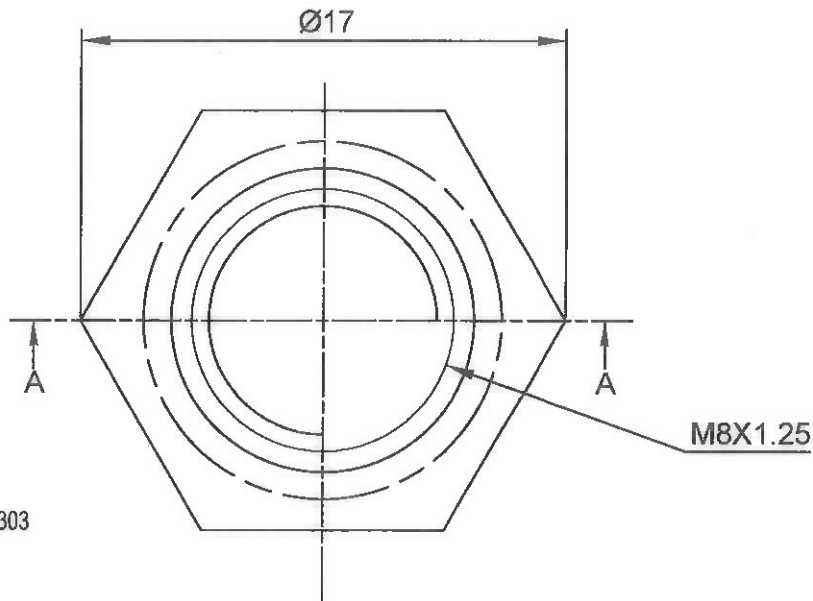
INVENTORY No.	TITLE	CARD CODE	DRAWING No.	REV
	M8 STEEL STUD FOR ACEMU		4 987 60 00423	01
SHEET No.		No. OF SHEETS		

SUPERSEDES DRG. No.

THE INFORMATION ON THIS DOCUMENT IS THE PROPERTY OF BHARAT HEAVY ELECTRICALS LIMITED. IT MUST NOT BE USED DIRECTLY OR INDIRECTLY IN ANY WAY DETRIMENTAL TO THE INTEREST OF THE COMPANY



SECTION A-A



Notes:

- 1) Material:-STEEL Grade AISI 303
- 2) Hardness:- HRB 55 (Min)
- 3) General Tolerance:- ±0.1
- 4) Pitch : Diamond Knurling 1.5
- 5) Area without knurling - surface finish - 3.2 ✓
- 6) Threads should conform to M8 go & No go plug gauge.




BHARAT HEAVY ELECTRICALS LTD;
ELECTROPORCELAINS DIVISION
BANGALORE 560 012

	NAME	SIGN	DATE
DRN	Chandrasekhar	<i>Chandrasekhar</i>	11.10.2019
CHD	Antara Baral	<i>Antara Baral</i>	11.10.2019
APPD	K S Ravishankar	<i>K S Ravishankar</i>	11.10.2019

DEPT	GRADE OF TOL. DIM.		SCALE	WEIGHT (grms.)	REF. TO ASSY DRG.	ITEM No.	No. OF ITEMS
CODE	C/M/F		NTS	(Approx)			

INVENTORY No.	TITLE	CARD CODE	DRAWING No.	REV
	M8 STEEL INSERT FOR 32DIA ACEMU (M-F & F-F)		4 987 60 00424 00	00
		SHEET No.	No. OF SHEETS	

 <p>The logo features the BHEL logo on the left, a large '50' in the center, and a gear on the right. Text includes 'BHEL', '50', 'Bharat Heavy Electricals Limited', and 'Maharaja Company'.</p>	<p>ELECTROPORCELAINS DIVISION</p>	<p>GENERAL CONDITIONS OF CONTRACT (GCC)</p> <p>Revision No. R0 (For supply and services)</p> <p>Issued on 01.04.2017</p>
--	--	--

GENERAL CONDITIONS OF CONTRACTS (GCC)

DEFINITIONS OF TERMS


ABBREVIATIONS

INSTRUCTIONS TO BIDDERS

GENERAL COMMERCIAL TERMS & CONDITIONS

ANNEXURES

**ELECTROPORCELAINS DIVISION
BHARAT HEAVY ELECTRICALS LIMITED**
(A Govt. of India Undertaking)
PROF. CNR RAO CIRCLE, IISc POST
MALLESHWARAM
BANGALORE - 560012

	<p style="text-align: center;">ELECTRO- PORCELAINS DIVISION</p>	<p style="text-align: center;">GENERAL CONDITIONS OF CONTRACT (GCC)</p> <p style="text-align: center;">Revision No. R0 (For supply and services)</p>	<p style="text-align: center;">DEFINITION OF TERMS</p>
---	--	--	---


Not for Publication

For Official Use

DEFINITION OF TERMS


Throughout the Tender Documents including the Enquiry Letter, the following words shall have the meanings assigned to them herein, unless the subject matter or the context requires otherwise.

- 1 **Purchaser / BHEL** shall mean **M/s Bharat Heavy Electricals Limited** (A Govt. of India Undertaking) incorporated under the Companies Act 1956 acting through its **Electroporcelains Division (EPD)**, IISc Post, Prof. CNR Rao Circle, Malleswaram, Bangalore - 560012 (Karnataka) which expression shall include its successors and assigns.
- 2 **EXECUTIVE DIRECTOR**" or 'GROUP GENERAL MANAGER or "GENERAL MANAGER (In-charge)" or "GENERAL MANAGER" shall mean the Officer in Administrative charge of EPD, Bangalore.
- 3 **"COMPETENT AUTHORITY"** shall mean Executive Director or Group General Manager or General Manager (In -charge) or General Manager or BHEL Officers who are empowered to act on behalf of the Executive Director or General Manager (In-charge) or General Manager of BHEL.
- 4 **Owner** shall mean the **Customer or Client** for whose project the enquiry is issued by Purchaser and shall include its successors and assigns as well as authorized officer(s)/ representative(s).
- 5 **Consultant** shall mean the agency appointed by Owner or Purchaser to provide consultancy services for the project and shall include its successors and assigns as well as authorized officer(s)/ representative(s).
- 6 **Tenderer** shall mean the Firm/ Company/ Organization which quotes against the Tender Enquiry issued by Purchaser. It may also be referred as **Bidder or Vendor**.
- 7 **"CONTRACT"** or "CONTRACT DOCUMENT" shall mean and include the Agreement of Purchase order / Work Order, the accepted appendices of Rates, Schedules, Quantities if any, General Conditions of Contract, Special Conditions of Contract, Instructions to the Bidders, Drawings, Technical Specifications, the

	<p style="text-align: center;">ELECTRO- PORCELAINS DIVISION</p>	<p style="text-align: center;">GENERAL CONDITIONS OF CONTRACT (GCC) Revision No. R0 (For supply and services)</p>	<p style="text-align: center;">DEFINITION OF TERMS</p>
---	--	--	---


Special Specifications, if any, Integrity Pact (if applicable), the Tender documents, subsequent amendments mutually agreed upon and the Letter of Intent/Acceptance issued by BHEL. Any conditions or terms stipulated by the contractor in the tender documents or subsequent letters shall not form part of the contract unless, specifically accepted in writing by BHEL in the Letter of Intent/Award and incorporated in the agreement.

- 8 **Seller/Contractor** shall mean the Firm/ Company/ Organization with whom the Order/Contract is made and shall be deemed to include its successors, representatives, heirs, executors, administrators and permitted assigns, as the case may be. It may also be referred as **Supplier**.
- 9 **Sub-Contractor** shall mean the person/ firm/ company/ organization to whom any part of the work has been sub-contracted by Seller/ Contractor, with the written consent of Purchaser, and shall include sub-contractor's heirs, executors, administrators, representatives and assigns.
- 10 **"ENGINEER"** or **"ENGINEER IN CHARGE"** shall mean an Officer of BHEL as may be duly appointed and authorized by BHEL to act as "Engineer" on his behalf for the purpose of the Contract, to perform the duty set forth in this General Conditions of Contract and other Contract documents. The term also includes 'RESIDENT MANAGER1 or 'SITE INCHARGE1 as well as Officers at Site or at the Headquarters at Bangalore.
- 11 **"GENERAL CONDITIONS OF CONTRACT"** shall mean the 'Instructions to Bidders1 and 'General Conditions of Contract pertaining to the work for which above tenders have been called for.
- 12 **"TENDER SPECIFICATION"** or **"TENDER"** or **"TENDER DOCUMENTS"** shall mean General Conditions, Common Conditions, Special Conditions, Price Bid, Rate Schedule, Technical Specifications, Appendices, Annexure, Corrigenda, Amendments, Forms, procedures, Site information, etc and drawings/ documents pertaining to the work for which the bidders are required to submit their offers or any other document(s) as mentioned in NIT. Individual specification number will be assigned to each Tender Specification.
- 13 **LETTER OF AWARD / INTENT"** shall mean the intimation by a Letter/Fax/email to the bidder that the tender has been accepted in accordance with provisions contained in the letter. The responsibility of the contractor


	<p align="center">ELECTRO-PORCELAINS DIVISION</p>	<p align="center">GENERAL CONDITIONS OF CONTRACT (GCC) Revision No. R0 (For supply and services)</p>	<p align="center">DEFINITION OF TERMS</p>
---	--	---	--

commences from the date of issue of this letter and all terms and conditions of the contract are applicable from this date

- 14 **COMPLETION TIME**" shall mean the period by 'date/month' specified in the 'Letter of Intent/Award' or date mutually agreed upon for handing over of the intended scope of work, the erected equipment/plant which are found acceptable by the Engineer, being of required standard and conforming to the specifications of the Contract.
- 15 **"PLANT"** shall mean and connote the entire assembly of the plant and equipments covered by the contract.
- 16 **"EQUIPMENT"** shall mean equipment, machineries, materials, structural, electrical and other components of the plant covered by the contract.
- 17 **"TESTS"** shall mean and include such test or tests to be carried out on the part of the contractor as are prescribed in the contract or considered necessary by BHEL, in order to ascertain the quality, workmanship, performance and efficiency of the contractor or part thereof.
- 18 **"APPROVED", "DIRECTED" or "INSTRUCTED"** shall mean approved, directed or instructed by BHEL.
- 19 **"WORK or CONTRACT WORK"** shall mean and include supply of all categories of labour, specified consumables, tools and tackles and Plants required for complete and satisfactory site transportation, handling, stacking, storing, erecting, testing and commissioning of the equipments to the entire satisfaction of BHEL.
- 20 **"HEADING"** - The heading in these General Conditions are solely for the purpose of facilitating reference and shall not be deemed to be part thereof or be taken as instructions thereof or of the contract.
- 21 **"WRITING"** shall include any manuscript type written or hand written or printed statement or electronically transmitted messages, under the signature or seal or transmittal of BHEL.

	<p align="center">ELECTRO-PORCELAINS DIVISION</p>	<p align="center">GENERAL CONDITIONS OF CONTRACT (GCC) Revision No. R0 (For supply and services)</p>	<p align="center">DEFINITION OF TERMS</p>
---	--	---	--


- 22** "TEMPORARY WORK" shall mean all temporary works for every kind required in or for the execution, completion, maintenance of the work.
- 23** 'CONTRACT PRICE or 'CONTRACT VALUE shall mean the sum mentioned in the LOI/LOA/Contract Agreement subject to such additions thereto or deductions there from as may be made under provisions hereinafter contained
- 24** "COMMENCEMENT DATE" or "START DATE" shall mean the commencement/start of work at Site as per terms defined in the Tender.
- 25** "SHORT CLOSING" or "FORE CLOSING" of Contract shall mean the premature closing of Contract, for reasons not attributable to the contractor and mutually agreed between BHEL and the contractor
- 26** "TERMINATION" of Contract shall mean the premature closing of contract due to reasons as mentioned in the contract.
- 27** "DE MOBILISATION" shall mean the temporary winding up of Site establishment by Contractor leading to suspension of works temporarily for reasons not attributable to the contractor
- 28** "RE MOBILISATION" shall mean the resumption of work with all resources required for the work after demobilization.
- 29** **Site** shall mean and include the land and place on which the power station and related facilities are to be constructed and any adjacent land which may be allocated or used by Owner or Seller/ Contractor in performance of the Order/ Contract.
- 30** **Tests on completion** shall mean such tests as prescribed in specifications and/ or tests mutually agreed upon by Purchaser and Seller/ Contractor, to be performed by Seller/ Contractor after erection of equipment to establish its satisfactory operation as per specifications.
- 31** "COMMISSIONING" shall mean the synchronization testing and achieving functional operation of the Equipment with associated system after all initial adjustments, trials, cleaning, re-assembly required at site if any, have been

	<p align="center">ELECTRO- PORCELAINS DIVISION</p>	<p align="center">GENERAL CONDITIONS OF CONTRACT (GCC)</p> <p align="center">Revision No. R0 (For supply and services)</p>	<p align="center">DEFINITION OF TERMS</p>
---	---	--	--

completed and Equipment with associated system is ready for taking into service.


- 32 Initial Operation or Trial Operation or Reliability Run** shall mean continuous integrated operation of the contracted/ ordered plant and materials under varying loads as proof of satisfactory operation for a specified period.
- 33 Inspection Agency (IA)** shall mean person(s) authorized by Purchaser / Owner to inspect the stores as per Order/ Contract at Contractor's/ Sub-Contractor's works. Vendors to raise inspection call on BHEL EPD.
- 34 Month** shall mean calendar month. Day' or 'Days' unless herein otherwise expressly defined shall mean calendar day or days of twenty four (24) hours each. A week shall mean continuous period of seven (7) days.
- 35 Consignee** shall mean the official(s)/ person(s) to whom the stores are required to be delivered in the manner indicated in the Order/ Contract.
- 36 Plant/ Equipment/ Stores** shall mean the goods, machinery, components, parts, spares etc. required to be supplied by Seller/ Contractor as per Order/ Contract.
- 37 Contract Engineer (CE)** shall mean the official who signs the Order/ Contract on behalf of Purchaser.
- 38 Site Engineer** shall mean officer of Purchaser/ Owner authorized to receive and verify the in-coming stores, and issue Material Receipt Certificate (MRC)/ Stores Receipt Voucher (SRV).
- 39 Site Inspection Agency (Site IA)** shall mean person(s) authorized by Purchaser/ Owner to inspect the stores/ works included in Order/ Contract at the Project Site.
- 40 GENERAL**

The words incorporating singular shall include plural and vice-versa, the words incorporating masculine gender shall include feminine gender and vice-versa, and the words incorporating persons shall include bodies, corporate, limited liability companies, partnership and other legal entities.


	<p align="center">ELECTRO- PORCELAINS DIVISION</p>	<p align="center">GENERAL CONDITIONS OF CONTRACT (GCC) Revision No. R0 (For supply and services)</p>	<p align="center">ABBREVIATIONS Issued on 01.04.2017</p>
---	---	--	---

ABBREVIATIONS

AWB	Airway Bill
BL	Bill of Lading
BOQ	Bill of Quantity
CAD	Cash Against Documents
CENVAT	Central Value Added Tax
CFR	Cost & Freight
CIF	Cost, Insurance and Freight
CIP	Carriage & Insurance Paid (up to destination)
CPT	Cost Freight Paid
CQ	Corporate Quality
CVD	Countervailing Duty
DMS	Document Management System
EMD	Earnest Money Deposit
E&C	Erection and Commissioning
FOB	Free on Board
GR	Goods Receipt
GRN	Goods Receipt Number
H1 bidder	Bidder quoting highest landed cost to BHEL
IP	Integrity Pact
IEM	Independent External Monitor
L1 Bidder	Bidder quoting lowest landed cost to BHEL
LC	Letter of Credit
LOI	Letter of Intent
LOA	Letter of Award


	<p align="center">ELECTRO- PORCELAINS DIVISION</p>	<p align="center">GENERAL CONDITIONS OF CONTRACT (GCC) Revision No. R0 (For supply and services)</p>	<p align="center">ABBREVIATIONS Issued on 01.04.2017</p>
---	---	--	---

LR	Lorry Receipt
MDCC	Material Despatch Clearance Certificate
MRC	Material Receipt Certificate
MSMED	Micro Small and Medium Enterprises Development
NIT	Notice Inviting Tender
O&M	Operation & Maintenance
PBG	Performance Bank Guarantee
P&ID	Process & Instrumentation Diagram
PO	Purchase order
PQR	Pre-Qualification Requirement
PVC	Price Variation Clause/compensation
QS	Quality Surveillance
RA	Reverse Auction
RAB	Running Account Bill
RBI	Reserve Bank of India
RFQ	Request for Quotation
RR	Railway Receipt
SAD	Special Additional Duty
SCC	Special Conditions of Contract

	<p align="center">ELECTRO-PORCELAINS DIVISION</p>	<p align="center">GENERAL CONDITIONS OF CONTRACT (GCC) Revision No. R0 (For supply & services)</p>	<p align="center">INSTRUCTIONS TO BIDDERS Issued on 01.04.2017</p>
---	--	--	--

INSTRUCTIONS TO BIDDERS
TABLE OF CONTENTS

Sl. No.	DESCRIPTION
1.0	GENERAL INSTRUCTIONS
2.0	PROCEDURE FOR SUBMISSION & OPENING OF TENDERS
3.0	MINIMUM E&C CHARGES
4.0	AUTHORITY FOR TENDER SIGNING
5.0	CLARIFICATIONS REQUIRED BY BIDDERS
6.0	DEVIATIONS - LISTING
7.0	VALIDITY OF OFFER
8.0	LANGUAGE & CORRECTIONS
9.0	PRICE DISCREPANCY
10.0	TENDERER TO INFORM HIMSELF FULLY
11.0	ETHICS IN BUSINESS DEALINGS & FRAUD PREVENTION POLICY
12.0	INTEGRITY PACT
13.0	REVERSE AUCTION
14.0	REJECTION OF TENDER AND OTHER CONDITIONS
15.0	DEVIATIONS FROM NIT
16.0	LOADING FOR COMMERCIAL DEVIATION (WHERE COST OF WITHDRAWL NOT GIVEN)
17.0	INTEREST RATE FOR LOADING
18.0	DISCOUNT
19.0	EVALUATION CRITERIA
20.0	FOREIGN SUPPLIERS & INDIAN AGENTS OF FOREIGN SUPPLIERS
21.0	MICRO & SMALL ENTERPRISES

	<p align="center">ELECTRO-PORCELAINS DIVISION</p>	<p align="center">GENERAL CONDITIONS OF CONTRACT (GCC)</p> <p align="center">Revision No. R0 (For supply & services)</p>	<p align="center">INSTRUCTIONS TO BIDDERS</p> <p align="center">Issued on 01.04.2017</p>
---	--	---	---

GENERAL

These general terms & conditions shall apply to all enquiries, notice inviting tenders, request for quotations concerning the supply of goods and / or rendering of services to Bharat Heavy Electricals Ltd., - Electroporcelains Division (hereinafter referred to as BHEL or the Purchaser) or its Projects / Customers.

1.0 GENERAL INSTRUCTIONS

- 1.1 Tenderers are advised to study all the tender documents carefully. Any submission of tender by the tenderer shall be deemed to have been done after careful study and examination of the tender documents and with full understanding of the implications thereof. The specifications and terms & conditions shall be deemed to have been accepted unless otherwise specifically commented upon in 'Deviation sheets by the tenderer in his offer. Noncompliance with any of the requirements and instructions in the Tender Enquiry may result in rejection of the tender.

Integrity Pact (IP) will be applicable for all tenders/ contracts valuing more than a specific value or if specified in NIT/ RFQ. Integrity Pact document shall be issued as part of tender and shall be returned by bidders along with their technocommercial bids, duly signed by authorized signatories. Only those vendors/ bidders who enter into Integrity Pact with BHEL would be qualified to participate in the bidding process.


- 1.2 All commercial terms and conditions, except prices, should be submitted as part of techno-commercial offer (Part-I) along with unpriced copy of Annexure-II, which may be opened first. The price part (Part-II) along with price copy of Annexure-II is to be submitted in a separate sealed cover (or to be uploaded in website in case of e-procurement) along with techno-commercial offer. Purchaser reserves the right to open both the Parts at the same time.
- 1.3 A declaration as per Annexure-III must be sent before opening of Price Bids.

2.0 PROCEDURE FOR SUBMISSION & OPENING OF TENDERS

- 2.1 Tenders shall be submitted in **Two parts** on or before the Due Date and time indicated in the NIT/ RFQ.

PART - I : Techno-Commercial Bid

comprising of Technical Offer, Annexure-I, Commercial Terms & Conditions, Unpriced copy of Price Bid& Annexure II, PQR documents (if applicable) in two

	<p align="center">ELECTRO-PORCELAINS DIVISION</p>	<p align="center">GENERAL CONDITIONS OF CONTRACT (GCC)</p> <p align="center">Revision No. R0 (For supply & services)</p>	<p align="center">INSTRUCTIONS TO BIDDERS</p> <p align="center">Issued on 01.04.2017</p>
---	--	---	---

(2) sets.

PART - II: Price Bid

Containing Prices, cost of withdrawal of deviation as per Annexure-II, to be submitted in original, strictly, as per Price Schedule of BHEL for complete scope of Tender Enquiry.

NOTE: Offers are liable to be rejected for changes made by vendors in the Price Schedule, except those specified in the unpriced bid and accepted by Purchaser.


- 2.1.1 PART-I (Techno-Commercial bid) may be opened on Due Date and time specified in the NIT/ RFQ, or extension thereof, in presence of tenderers who may like to attend. Incomplete offers are liable to be rejected. Purchaser reserves the right to open both Part-I and Part-II together.
- 2.1.2 PART-II containing prices shall be submitted along with Part-I but in a separate sealed cover. Corrections/amendments shall be properly authenticated, else the offer is liable to be rejected.
- 2.1.3 Any discount/revised offer submitted by a bidder on its own shall be accepted provided it is received on or before the due date and time of offer submission. The discount shall be applied on pro-rata basis to all items unless specified otherwise by the bidder.

Unsolicited discounts/revised offers given after due date and time of offer submission shall not be accepted.

In case there is no change in the technical scope and/or specifications and/or commercial terms & conditions, the bidder/s shall not be allowed to change his/their price bids after the due date, within the validity period.

In case of changes in scope and/or technical specification and/or commercial terms & conditions, having price implications, techno-commercially acceptable bidders shall be asked by BHEL (after freezing the scope, technical specifications and commercial terms & conditions) to submit the impact of such changes on their price bid. A cut-off date and time shall be given to all the techno-commercially acceptable bidders to submit the impact on their price bids.


In the event of any bidder, after finalizing the technical specification & scope of supply, opting to revise and submit their latest price bid instead of submitting impact on their price bid asked by BHEL, then their original price (i.e. the previous bid) shall also be opened.

	<p align="center">ELECTRO-PORCELAINS DIVISION</p>	<p align="center">GENERAL CONDITIONS OF CONTRACT (GCC)</p> <p align="center">Revision No. R0 (For supply & services)</p>	<p align="center">INSTRUCTIONS TO BIDDERS</p> <p align="center">Issued on 01.04.2017</p>
---	--	---	---

Price Impact/ Discount/ Revised Price Bid shall be duly superscribed as:

“Price Impact / Discount/ Revised Price Bid (Part-II) (delete whichever is not applicable), Revision No. ___ against Tender Enquiry No. _____ dated ____”

- 2.2 After technical & commercial examination of the offers received and clarifications obtained (if required), Part-II (Revised Price Bid/ Original Price Bid along with Price Impact and Discount, if any) shall be opened, for which the date and time shall be intimated to technically and commercially acceptable bidders in case of public opening. BHEL may opt to finalise the prices through Reverse Auction amongst technically and commercially acceptable bidders. BHEL reserves the right to open the earlier price bids, if any, submitted by the bidder(s), if required.
- 2.3 No correspondence shall be entertained from the tenderers after opening of Part-II (Price bid), except clarifications (if any) asked by BHEL in writing.
- 2.4 **Instructions regarding centralised tender room and tender opening:**
- a) Vendors are advised to submit the tenders in the tender box, containing Part-I & II offers in separate covers, preferably cloth lined envelopes should be used, properly marked before due date and time.
 - b) BHEL-EPD shall not accept any tender in torn condition and return the same to the courier immediately with the Stamping "Returned to Sender-Package Damaged". Offers in damaged condition will not be considered and no request for extension on this account will be considered.
 - c) Bidder's representative shall deposit the offer in tender box only.
 - d) Bidders shall be allowed in the tender room in area identified for bidders and only one/two authorized representative(s) from each bidder shall be allowed.
 - e) Bidder shall not be allowed to carry mobile/camera /laptop in the tender room. The same shall have to be deposited at security in advance and taken back after tender opening.
 - f) In case of two part bid system, bidder's representative(s), witnessing the tender opening shall have to sign on all the envelopes containing the price bids. Thereafter, all the price bid envelopes shall be put in a bigger envelope / box and the same shall be properly sealed. The sealed envelope / box shall have to be signed by the tender opening official(s) / committee of Purchaser and bidder's representatives.

	<p align="center">ELECTRO-PORCELAINS DIVISION</p>	<p align="center">GENERAL CONDITIONS OF CONTRACT (GCC) Revision No. R0 (For supply & services)</p>	<p align="center">INSTRUCTIONS TO BIDDERS Issued on 01.04.2017</p>
---	--	---	--

- g) Details of offers shall be read out to bidders and in no case the offers shall be handed over to any of the bidders for noting down.
- h) Please ensure tender submission, minimum 1 hour before scheduled tender opening time.

Late tenders shall not be accepted.

2.5 Purchaser may negotiate the tender with L1 bidder after RA/ price bid opening.

2.6 MARKING ON ENVELOPES

2.6.1 Following shall be superscribed on the envelopes which shall be addressed by name and designation to the official inviting tender:

PART-I : 1. TENDER ENQUIRY No. AND ITEM DESCRIPTION
 2. DUE DATE FOR OPENING
 3. "TECHNO-COMMERCIAL BID".

PART-II : 1. TENDER ENQUIRY NO AND ITEM DESCRIPTION
 2. DUE DATE FOR OPENING
 3. "PRICE BID".

2.6.2 Both Parts - I & II shall be submitted in separate sealed covers duly superscribed as indicated above and shall be enclosed further in a main cover duly sealed and superscribed as:


"TENDER FOR _____ AGAINST TENDER ENQUIRY NO. _____ DUE ON _____ CONTAINING PART-I & PART-II BIDS"

2.6.3 Envelope not marked with tender enquiry number is liable to be ignored and may not be opened.

2.7 BID SUBMISSION

2.7.1 Tenders shall be addressed to BHEL officials by name & designation and sent to the following address:

Tender Box at the reception of EPD,
Bharat Heavy Electricals Ltd.
ELECTROPORCELAINS DIVISION
Opp. IISc, PROF. C N R RAO CIRCLE ,
MALLESWARAM , BANGALORE - 560 012
Attention: 1) Mr.

	<p align="center">ELECTRO-PORCELAINS DIVISION</p>	<p align="center">GENERAL CONDITIONS OF CONTRACT (GCC) Revision No. R0 (For supply & services)</p>	<p align="center">INSTRUCTIONS TO BIDDERS Issued on 01.04.2017</p>
---	--	---	--

2) Mr.

- 2.7.2 Tenders can either be deposited in tender room in person or sent by Courier/Registered or Speed Post to the above mentioned address. It shall be bidders' responsibility to ensure that tenders are delivered latest by 14:00 hours (IST) of the enquiry due date.
- 2.7.3 Bidder can also submit offer through email, if called for in the enquiry, at the email address indicated in the enquiry. Such email offers shall be sent only on designated email-id to reach before 14.00 hrs of the tender due date. BHEL will not be responsible for incomplete offers and the ones delivered late through e-mail.
- 2.8 Tenders received after the Due Date and Time of submission as mentioned at 2.7.2 shall be rejected.
- 2.9 Name of vendor's dealing person with Contact No(s), Email ID and Address of correspondence shall be provided in the bid as per ANNEXURE XVIII.
- 2.10 Unsolicited tenders will not be entertained.
- 2.11 **OFFER SUBMISSION IN E-PROCUREMENT**


Tenders shall be submitted in Two parts on or before the Due Date and time indicated on the portal as per the following instructions:

PART - I : Technical & Commercial bid

Comprising of following:

1. PQ qualification documents (Mandatory, if shown on portal)
2. Annexure-I to GCC (Mandatory)
3. General conditions of contract, GCC (Mandatory)
4. Special conditions of contract, SCC (Mandatory)
5. Technical offer, comprising of technical specification and other documents as asked in technical specifications e.g. drawings, test report etc. (Mandatory)
6. Annexure-III to GCC (Declaration about completeness of price) - (Mandatory)
7. Annexure-XII to GCC (Optional)

“NO DEVIATION CERTIFICATE” FOR COMMERCIAL TERMS AND

	ELECTRO-PORCELAINS DIVISION	GENERAL CONDITIONS OF CONTRACT (GCC) Revision No. R0 (For supply & services)	INSTRUCTIONS TO BIDDERS Issued on 01.04.2017
---	------------------------------------	---	--

CONDITIONS as per General Conditions of Contracts (GCC, Rev.01), Special Conditions of Contracts and RFQ in case of no deviations

8. Integrity Pact Agreement (Mandatory if shown on portal, not applicable otherwise)
9. Unpriced copy of Annexure-II, cost of withdrawal of deviation (Mandatory)
10. Supplier details as per detail annexure.

Any deviation not mentioned in un-priced copy of this format, but mentioned in the priced copy, shall not at all be accepted.

Bidder to note all the points mentioned in "Notes" of Annexure-II to GCC Rev.01.

Cost of withdrawal for the deviations, for which, the "Cost of withdrawal" is not specified, shall be taken as NIL.

The vendors shall be forced by the system to upload the above documents which are marked mandatory. The Annexure mentioned at Sl no 2, 6 & 7 (if applicable), above should be duly filled by the bidder and should be printed on their letter head before uploading.

PART - II: Price bid


Containing

1. Prices as per price format,
2. Cost of withdrawal of deviation as per Annexure-II, to be uploaded strictly as per Price Schedule of BHEL for complete scope of Tender Enquiry.

NOTE: Offers are liable to be rejected for changes made by vendors in the Price Schedule, except those specified in the unpriced bid and accepted by Purchaser.

The clause nos 2.6 & 2.7 above of this GCC shall not be applicable in case of eprocurement

- 3.0 In case of TURNKEY PACKAGES total **erection & commissioning charges** including service tax should be minimum 15% (or as specified in NIT) of the total quoted package price (excluding mandatory spares but including all taxes and freight), failing which the break-up of prices shall be adjusted accordingly for ordering.

	<p align="center">ELECTRO-PORCELAINS DIVISION</p>	<p align="center">GENERAL CONDITIONS OF CONTRACT (GCC)</p> <p align="center">Revision No. R0 (For supply & services)</p>	<p align="center">INSTRUCTIONS TO BIDDERS</p> <p align="center">Issued on 01.04.2017</p>
---	--	---	---

4.0 Authority of the person signing the tender on behalf of the tenderer:

A person signing the tender or any other document in respect of Order/Contract on behalf of the tenderer, without disclosing his authority to do so shall be deemed to warrant that he has the authority to bind the tenderer. If it is discovered at any time that the person so signing had no authority to do so, the Purchaser may, without prejudice to any other right or remedy, cancel the Order/Contract and make or authorize the purchase of the stores at the risk and cost of such tenderer and hold such tenderer liable to Purchaser for all costs and damages arising from cancellation of the Order/Contract including any loss which Purchaser may sustain on account of such purchase.

Notes:


- a) Bids of Indian supplier shall be in Indian Rupee only.
- b) Bids of foreign suppliers shall preferably be in currency of the country of origin and on CPT/ CFR basis. In case of supplies from Indian origin, it shall be in INR on F.O.R BHEL EPD BANGALORE - 12.
- c) An authorized representative/ agent can represent only one bidder for the given package.

5.0 CLARIFICATIONS REQUIRED BY BIDDERS

Technical and commercial clarifications required before submission of the tender should be addressed to the official(s) inviting the tender. The bidders are requested to submit all their queries/clarifications by the date specified in the NIT after which it will be presumed that there are no queries/clarifications and BHEL will be under no obligation to reply queries/clarifications raised after the date.

6.0 DEVIATIONS - LISTING

- 6.1 Tenders shall be submitted strictly in accordance with the requirements of tender documents. In case of deviations from NIT, the tenderer shall give cost of withdrawal of such deviation in Sealed Cover as per Annexure-II.
- 6.2 If bidder insists for price variation clause (PVC) where NIT specifies Firm price, the offer should contain:-
 - a) PVC Formula
 - b) Ceiling for PVC
 - c) Base date and applicable indices for the base date.

	<p align="center">ELECTRO- PORCELAINS DIVISION</p>	<p align="center">GENERAL CONDITIONS OF CONTRACT (GCC)</p> <p align="center">Revision No. R0 (For supply & services)</p>	<p align="center">INSTRUCTIONS TO BIDDERS</p> <p align="center">Issued on 01.04.2017</p>
---	---	--	---

Open ended PVC formula is not acceptable. Indices shall be based on Government of India/ RBI publications/ IEEMA/ LME etc. However, BHEL reserves the right to accept/ reject the offer with PVC.

7.0 VALIDITY OF OFFER

Vendors' offers shall be submitted with the following validity periods:

- i) Original offer shall be valid for 90 days from Part-I opening.
- ii) If revised price bid/ price impact is asked by BHEL, the validity of the same shall be 60 days from the date of revised price bid/ price impact or 120 days from Part-I opening, whichever is later.
- iii) Prices of Recommended Spares, O&M Spares and Mandatory Spares (wherever these are Optional items) shall be valid till two years from the date of PO.
- iv) Unit prices for scope addition/ deletion shall be valid till two years from the date of PO.
- v) Prices of optional items shall be valid till the contract period for placement of order.
- vi) Offers with shorter validity are liable to be rejected.


8.0 LANGUAGE & CORRECTIONS

- a) Tenderer shall quote the rates in Hindi/English language and international numerals only. Total Price shall be entered in figures as well as in words. For the purpose of tender, metric system of units shall be used.
- b) All entries in the tender shall either be typed or written legibly in ink. Cancellations, corrections, insertions, erasements, over-writing (if unavoidable) shall be authenticated with signature and seal by the bidder.

9.0 PRICE DISCREPANCY

Following shall be considered for evaluation and ordering for non-conformities/ errors/ discrepancies in price bid:

- (a) If, in the price structure quoted for the required goods/ services/ works, there is discrepancy between the unit price and the total price (which is obtained by multiplying the unit price by the quantity), the unit price shall prevail and the total price corrected accordingly, unless in the opinion of the Purchaser there is an

	<p align="center">ELECTRO-PORCELAINS DIVISION</p>	<p align="center">GENERAL CONDITIONS OF CONTRACT (GCC)</p> <p align="center">Revision No. R0 (For supply & services)</p>	<p align="center">INSTRUCTIONS TO BIDDERS</p> <p align="center">Issued on 01.04.2017</p>
---	--	---	---

obvious misplacement of the decimal point in the unit price, in which case the total price as quoted shall govern and the unit price corrected accordingly.

(b) If there is an error in a total corresponding to the addition or subtraction of subtotals, the subtotals shall prevail and the total shall be corrected.

(c) If there is a discrepancy between words and figures, the amount in words shall prevail, unless the amount expressed in words is related to an arithmetic error, in which case the amount in figures shall prevail subject of (a) and (b) above.

(d) If there is such discrepancy in an offer, the same shall be conveyed to the bidder with target date upto which the bidder has to send his acceptance on the above lines and if the bidder does not agree to the decision of the Purchaser, the bid is liable to be ignored.


(e) Taxes and duties if not specified clearly as extra shall be considered as included in the basic price and, therefore, shall not be reimbursed.

10.0 TENDERER TO INFORM HIMSELF FULLY

10.1 Tenderer shall closely peruse all clauses, specifications & drawings etc. indicated in tender documents before quoting. In case of any doubt about meaning of any portion of tender specifications or discrepancies or omissions in drawings/tender document or clarifications regarding scope of work etc., tenderer shall contact the official(s) inviting the tender for clarifications, before submitting the offer.

10.2 Tenderer shall make independent enquiries as to conditions and circumstances affecting cost estimates, and possibility of executing supplies/works as described. Tenderer shall be deemed to have inspected and examined the site and its surroundings and to have satisfied himself as to the form and nature of the site, the quantities and materials necessary for completion of the work and means of transport and access to the site, the accommodation required, general labour position at site and to have quoted prices taking into consideration the risks, contingencies and other circumstances which may influence or affect execution of the Order/Contract.

10.3 It is the responsibility of tenderer to keep himself informed about all taxes & duties applicable on materials/services as prevailing at the time of tendering. If the rates assumed by tenderer are less than the tariff rates prevailing at the time of tendering, the tenderer will be himself responsible for such under quotations.

	<p align="center">ELECTRO-PORCELAINS DIVISION</p>	<p align="center">GENERAL CONDITIONS OF CONTRACT (GCC)</p> <p align="center">Revision No. R0 (For supply & services)</p>	<p align="center">INSTRUCTIONS TO BIDDERS</p> <p align="center">Issued on 01.04.2017</p>
---	--	---	---

11.0 ETHICS IN BUSINESS DEALINGS & FRAUD PREVENTION POLICY

11.1 The Bidder along with its associate/collaborators/sub-contractors/sub vendors/ Consultants/ service providers shall strictly adhere to BHEL Fraud Prevention Policy displayed on BHEL website <http://www.bhel.com> and shall immediately

bring to the notice of BHEL Management about any fraud or suspected fraud as soon as it comes to their notice."

11.2 Integrity commitment, performance of the contract and punitive action thereof:

11.2.1 Commitment by BHEL:

BHEL commits to take all measures necessary to prevent corruption in connection with the tender process and execution of the contract. BHEL will during the tender process treat all Bidder(s) in a transparent and fair manner, and with equity.


11.2.2 Commitment by Bidder/ Supplier/ Contractor:

(a) The bidder/ supplier/ contractor commit to take all measures to prevent corruption and will not directly or indirectly influence any decision or benefit which he is not legally entitled to nor will act or omit in any manner which tantamount to an offence punishable under any provision of the Indian Penal Code, 1860 or any other law in force in India.

(b) The bidder/ supplier/ contractor will, when presenting his bid, disclose any and all payments he has made, and is committed to or intends to make to agents, brokers or any other intermediaries in connection with the award of the contract and shall adhere to relevant guidelines issued from time to time by Govt. of India/ BHEL.

© The bidder/ supplier/ contractor will perform/ execute the contract as per the contract terms & conditions and will not default without any reasonable cause, which causes loss of business/ money/ reputation, to BHEL.

If any bidder/ supplier/ contractor during pre-tendering/ tendering/ post tendering/ award/ execution/ post-execution stage indulges in mal-practices, cheating, bribery, fraud or and other misconduct or formation of cartel so as to influence the bidding process or influence the price or acts or omits in any manner which tantamount to an offence punishable under any provision of the Indian Penal Code, 1860 or any other law in force in India, then, action may be taken against such bidder/ supplier/ contractor as per extant guidelines of the company available on www.bhel.com and/or under applicable legal provisions".

	<p align="center">ELECTRO-PORCELAINS DIVISION</p>	<p align="center">GENERAL CONDITIONS OF CONTRACT (GCC)</p> <p align="center">Revision No. R0 (For supply & services)</p>	<p align="center">INSTRUCTIONS TO BIDDERS</p> <p align="center">Issued on 01.04.2017</p>
---	--	---	---

12.0 INTEGRITY PACT

Vendors shall have to enter into Integrity Pact with BHEL if specified in NIT/ RFQ, failing which vendor's offer will be rejected (Refer Annexure-IX).


13.0 REVERSE AUCTION

BHEL reserves the right to go for Reverse Auction (RA) (Guidelines as available on www.bhel.com) instead of opening the sealed envelope price bid (priced format submitted along with the offer in case of e-procurement), submitted by the bidder. This will be decided after techno-commercial evaluation. Bidders to give their acceptance with the offer for participation in RA. Non-acceptance to participate in RA may result in non-consideration of their bids, in case BHEL decides to go for RA.

Those bidders who have given their acceptance to participate in Reverse Auction will have to necessarily submit 'Process compliance form' (to the designated service provider) as well as 'Online sealed bid' in the Reverse Auction. Nonsubmission of 'Process compliance form' or 'Online sealed bid' by the agreed bidder(s) will be considered as tampering of the tender process and will invite action by BHEL as per extant guidelines for suspension of business dealings with suppliers/ contractors (as available on www.bhel.com).

The bidders have to necessarily submit online sealed bid less than or equal to their envelope sealed price bid (priced format submitted along with the offer in case of e-procurement) already submitted to BHEL along with the offer. The envelope sealed price bid of successful L1 bidder in RA, if conducted, shall also be opened after RA and the order will be placed on lower of the two bids (RA closing price & envelope sealed price) thus obtained. The bidder having submitted this offer specifically agrees to this condition and undertakes to execute the contract on thus awarded rates.

If it is found that L1 bidder has quoted higher in online sealed bid in comparison to envelope sealed bid (priced format submitted along with the offer in case of e-procurement) for any item(s), the bidder will be issued a warning letter to this effect. However, if the same bidder again defaults on this count in any subsequent tender in the unit, it will be considered as fraud and will invite action by BHEL as per extant guidelines for suspension of business dealings with suppliers/ contractors (as available on www.bhel.com)."

	<p align="center">ELECTRO-PORCELAINS DIVISION</p>	<p align="center">GENERAL CONDITIONS OF CONTRACT (GCC)</p> <p align="center">Revision No. R0 (For supply & services)</p>	<p align="center">INSTRUCTIONS TO BIDDERS</p> <p align="center">Issued on 01.04.2017</p>
---	--	---	---

14.0 REJECTION OF TENDER AND OTHER CONDITIONS

14.1 Acceptance of tender will rest with Purchaser and does not bind him to accept the lowest or any tender and reserves to itself full rights for the following without assigning any reasons whatsoever:

- a) To reject any or all the tenders.
- b) To split the work amongst two or more tenderers (where E&C is not in tenderer's scope).
- c) To award the work in part. (where E&C is not in tenderer's scope).
- d) To increase or decrease the quantities.
- e) To reject any commercial or technical deviation given in offer.

14.2 Standard pre-printed conditions of tenderer attached to offer will not be accepted and only those mentioned in the body of offer will be considered.

14.3 Purchaser will not be bound by any power of attorney granted by tenderer or by changes in composition of the firm made subsequent to award of Order/Contract. Purchaser may, however, recognize such power of attorney and changes after obtaining proper legal advice, the cost of which will be chargeable to the Seller/Contractor concerned.

14.4 If tenderer deliberately gives wrong information, Purchaser reserves the right to reject such an offer at any stage or cancel the Order/Contract, if awarded, and forfeit the security deposit and bank guarantee.


15.0 DEVIATIONS FROM NIT

15.1 Deviations (Commercial as well as Technical) from NIT are generally not acceptable. In case of deviations from NIT, the tenderer shall give cost of withdrawal of such deviation in Sealed Cover as per Annexure-II.

16.0 Loading For Commercial Deviations (where cost of withdrawal not given)

16.1 For deviations w.r.t. Payment terms, Liquidated damages, Firm prices and submission of E1/ E2 forms before claiming 10% payment, if a bidder chooses not to give any cost of withdrawal of deviation loading as per Annexure-VIII will apply.

17.0 Interest Rate for loading will be taken as Base rate of SBI (as applicable on the date of bid opening, Techno-commercial bid, in case of 2 part bids) + 6% for the period of relaxation sought by the bidders.

	<p align="center">ELECTRO-PORCELAINS DIVISION</p>	<p align="center">GENERAL CONDITIONS OF CONTRACT (GCC)</p> <p align="center">Revision No. R0 (For supply & services)</p>	<p align="center">INSTRUCTIONS TO BIDDERS</p> <p align="center">Issued on 01.04.2017</p>
---	--	---	---

18.0 DISCOUNT

Discount offered by any bidder in the original price bid, against the present Tender Enquiry, which is also indicated to be applicable to any other Enquiry, shall be considered against the present Tender Enquiry only. In case only percentage discount is indicated, the same shall be applicable to optional prices also.

Discount offered shall be valid for full duration of offer validity.


Any conditional discount shall not be considered for evaluation.

19.0 EVALUATION CRITERIA

- 19.1 Evaluation of the tender shall be on the basis of delivered cost, i.e. 'total cost to BHEL' w.r.t the finalized technical scope and commercial conditions (after considering, inter alia, Customs Duty and CENVAT/ VAT/ Service Tax/Entry Tax as applicable) and taking into consideration loadings, if any, and all available financial advantages.
- 19.2 Exchange rate (TT selling rate of State Bank of India) applicable on the date of Part-I bid opening shall be considered for evaluation of foreign bids. If the relevant day happens to be a bank holiday in India, then the FOREX rate as on the previous bank working day shall be taken for evaluation.
- 19.3 Foreign suppliers shall ensure that the benefits as applicable under Comprehensive Economic Partnership Agreement (CEPA) with Government of India are disclosed in the bid & relevant documents such as Certificate of Country of Origin, issued by the appropriate authority in the country of Export, is provided by the vendor along with dispatch documents. Bids shall be evaluated with such applicable benefits. In the event of Seller failing to provide appropriate documents for Purchaser to avail disclosed concessional duty benefits in India, financial loss, so incurred, will be to the Seller's account.
- 19.4 The quoted CFR price shall be loaded by the following to arrive at the Delivered Cost:
- Import duty as applicable at the time of Part-II (Price) bid opening.
 - Terminal handing charges at destination & other charges & Inland freight will be loaded at 1% of CFR value.

20.0 FOREIGN SUPPLIERS & INDIAN AGENTS OF FOREIGN SUPPLIERS

Please refer 'Annexure-V' for guidelines.

	<p align="center">ELECTRO-PORCELAINS DIVISION</p>	<p align="center">GENERAL CONDITIONS OF CONTRACT (GCC)</p> <p align="center">Revision No. R0 (For supply & services)</p>	<p align="center">INSTRUCTIONS TO BIDDERS</p> <p align="center">Issued on 01.04.2017</p>
---	--	---	---

21.0 MICRO & SMALL & MEDIUM ENTERPRISES

Extant regulations of Govt. of India titled “Public Procurement Policy for Micro & Small Enterprises (MSE’s) Order dated 23.03.2012” will be applicable.

22.0 Authorisation for participation in EPS portal through DSC

E-Tender Participation requirements

Either Principal or authorised agent shall register their Digital Signature Certificate (DSC) (Class 3- SHA2- 2048 BIT- SIGNING & ENCRYPTION). You are advised to pls go through the FAQ available in the web portal

<https://bheleps.buyjunction.in>). DSC shall be registered for the authorised person and all transaction done using that DSC against our tenders shall be taken as valid communication and shall be binding on principal/agent and is valid legally.

For foreign Principal


In case of Principal (being foreigner) they may apply for DSC through Indian embassy at their country and can register with us for participating in E-tenders. Details of the applicable procedure is available in the webpage <http://www.cca.gov.in/cca/>

For Indian agent

In case of agents participating/registering their DSC (of authorised person), it will be at the sole authorisation of principal to their agents to participate on their behalf and all transactions done using that DSC against our tenders shall be known as valid communication and shall binding on principal and is legally valid.

DSC Authorisation


Pls intimate the authorised person name, Mail ID for registering DSC with us to participate in E-Tenders

	<p align="center">ELECTRO- PORCELAINS DIVISION</p>	<p align="center">GENERAL CONDITIONS OF CONTRACT (GCC) Revision No. R0 (For supply and services)</p>	<p align="center">GENERAL COMMERCIAL TERMS & CONDITIONS Issued on 11.05.2017</p>
--	---	--	--


GENERAL COMMERCIAL TERMS & CONDITIONS

TABLE OF CONTENTS

Sl. No.	DESCRIPTION
1.0	ACCEPTANCE OF ORDER
2.0	CONTRACT
3.0	PRICES
4.0	TAXES AND DUTIES
5.0	STATUTORY VARIATION
6.0	VARIATION OF CONTRACT VALUE
7.0	DRAWING SUBMISSION & APPROVAL
8.0	TRANSPORTATION & FREIGHT CHARGES
9.0	TERMS OF PAYMENT
10.0	RECOVERY OF OUTSTANDING AMOUNT
11.0	CONTRACT PERFORMANCE BANK GUARANTEE
12.0	GUARANTEE FOR PLANT/EQUIPMENT/STORES
13.0	DELIVERY/COMPLETION SCHEDULE
14.0	INSPECTION AND TESTING AT CONTRACTOR'S PREMISES
15.0	MATERIAL DESPATCH CLEARANCE CERTIFICATE (MDCC)
16.0	DELIVERY FAILURE AND TERMINATION / LIQUIDATED DAMAGES
17.0	INSURANCE
18.0	INTER CHANGEABILITY AND CHANGES
19.0	PACKING
20.0	STORAGE INSTRUCTIONS
21.0	MATERIAL/GOODS RECEIPT CERTIFICATE

	<p align="center">ELECTRO-PORCELAINS DIVISION</p>	<p align="center">GENERAL CONDITIONS OF CONTRACT (GCC) Revision No. R0 (For supply and services)</p>	<p align="center">GENERAL COMMERCIAL TERMS & CONDITIONS Issued on 11.05.2017</p>
--	--	---	---

22.0	CONSIGNEE'S RIGHT OF REJECTION
23.0	RISK IN STORES (FOR E&C CONTRACTS)
24.0	SHORTAGES/DAMAGES
25.0	CONFIDENTIALITY
26.0	DEFAULT/ BREACH OF CONTRACT, INSOLVENCY & RISK PURCHASE
27.0	TERMINATION OF THE CONTRACT
28.0	TRANSFER, SUB-LETTING/ ASIGNMENT/ SUB-CONTRACTING
29.0	FORCE MAJEURE
30.0	INDEMNIFICATION
31.0	SETTLEMENT OF DISPUTES
32.0	ARBITRATION
33.0	LAWS GOVERNING THE CONTRACT
34.0	JURISDICTION OF COURT
35.0	ORDER OF PRECEDENCE
36.0	SUPPLIER PERFORMANCE MONITORING AND RATING SYSTEM
37.0	DEALING WITH BANNED SUPPLIERS/ CONTRACTORS IN BHEL
39.0	CLAUSES APPLICABLE FOR E&C PACKAGES

	<p align="center">ELECTRO- PORCELAINS DIVISION</p>	<p align="center">GENERAL CONDITIONS OF CONTRACT (GCC) Revision No. R0 (For supply and services)</p>	<p align="center">GENERAL COMMERCIAL TERMS & CONDITIONS Issued on 11.05.2017</p>
--	---	--	--

1.0 ACCEPTANCE OF ORDER

Seller/Contractor should acknowledge and accept the LOI/ Purchase Order issued by BHEL within 7 days of its receipt. Seller/Contractor should examine the LOI/ Purchase Order immediately upon receipt and bring to the notice of BHEL, within 7 days of receipt, any discrepancy with regard to scope of work, rates, taxes & duties, agreed terms & conditions etc. for due rectification. If the Seller/Contractor fails to give such intimation / acceptance within seven days, the Seller/Contractor shall be deemed to have agreed to supply the stores as per LOI/ Purchase Order.

2.0 CONTRACT

Contract between Purchaser and Seller/Contractor is merely a contract and shall not be treated as partnership between the parties to the contract.

3.0 PRICES

Prices shall be for the entire scope of work in line with the tender documents and subsequent clarifications/confirmations.

4.0 TAXES AND DUTIES

4.1 EXCISE DUTY for Indigenous purchase


4.1.1 Seller/Contractor is required to ensure that excise duty including cess, if any, is quoted as per the existing tariff on the date of the offer and all benefits as per existing rules have been considered.

4.1.2 Excise duty actually incurred by Seller/Contractor on self-manufactured items shall be reimbursed against documentary evidence.

Excise duty paid by bidder on inputs, bought out items, raw materials and components consigned directly from sources other than Seller/Contractor's factory/works shall be included by the bidder in the quoted ceiling amount of excise duty and the same shall be payable extra at actuals limited to the ceiling amount.

4.1.3 If excise duty is paid under protest or dispute, it shall not be reimbursed till the dispute is settled. If the Seller/Contractor claims/obtains any refund of the excise duty paid, the same shall be refunded to the Purchaser immediately

4.1.4 Invoice cum Excise duty gate pass (Excise Invoice) should contain the name of the ultimate consignee as per Order/Contract/ Special Conditions of Contract.

	<p align="center">ELECTRO- PORCELAINS DIVISION</p>	<p align="center">GENERAL CONDITIONS OF CONTRACT (GCC) Revision No. R0 (For supply and services)</p>	<p align="center">GENERAL COMMERCIAL TERMS & CONDITIONS Issued on 11.05.2017</p>
--	---	--	--

4.1.5 If required by Purchaser, the Seller / Contractor will provide a certificate stating that CENVAT benefit has been availed of on the inputs and the same has been passed on to the Purchaser.

4.1.6 Excise duty shall be paid at actuals against documentary evidence but restricted to the amount and percentage indicated in the Order/Contract.

4.2 SALES TAX/VALUE ADDED TAX (VAT) for Indigenous purchase

4.2.1 Central Sales Tax / Value Added Tax shall be reimbursed only if the same is paid by the Seller / Contractor to the respective Govt. authorities on direct sales by the Seller/ Contractor to the Purchaser, meeting all statutory requirements and availing all exemptions/concessions under the respective Central Sales Tax / Value Added Tax Acts. The offer should clearly indicate CST/VAT percentage and the total amount along with concessional form(s), if any.

4.2.2 Purchaser is registered in Bangalore, Karnataka vide following Registration Numbers:


Central Sales Tax Registration No. : 00850070 w.e.f. 06-03-1999.

Karnataka TIN. : 29470052861

4.2.3 Central Sales Tax/Value Added Tax shall be reimbursed, as per tariff applicable, but restricted to the percentage and amount shown in the Order/Contract. If it is shown as included in the quoted price/ not applicable, it will not be reimbursed by the Purchaser.

4.2.4 For the purchase re-sold items, purchaser proposes to make sale-in-transit under section 6 (2) (b) of Central Sales Tax Act where goods movement is inter-state. Form-C shall be issued and exchanged against Form-E1/E2 based on quarterly transactions. Seller/Contractor is required to submit his request in the format enclosed at Annexure-VI within 30 days from end of the Quarter, giving State-wise invoice details. In compliance with the notification No. CCW/CR-44-2013-14 dt. 29/04/2014 issued by Commercial Tax Dept., Govt. of Karnataka, vendors shall submit all the requisite documents within 10 days of dispatch for the purpose of issuance of 'C' forms. Timely issuance of 'C' form will depend on the compliance of this condition.

Note: In case of non-receipt of E1/E2 forms amount of differential tax payable by BHEL shall be to vendors' account. Submission of E1/E2 forms shall be ensured by Vendor within the time specified in sales tax act.

	ELECTRO-PORCELAINS DIVISION	GENERAL CONDITIONS OF CONTRACT (GCC) Revision No. R0 (For supply and services)	GENERAL COMMERCIAL TERMS & CONDITIONS Issued on 11.05.2017
--	------------------------------------	---	--

4.2.5 For the purchase re-sold items, VAT invoices, in format prescribed by the respective State Sales Tax Act, have to be submitted in the name of Nodal Agency, if specified in Special Conditions of Contract.

4.3 SERVICE TAX for Indigenous purchase

4.3.1 Service Tax and Cess leviable on taxable services for the time being in force paid by the Service Provider /contractor to the Government authorities directly shall only be paid at actuals against documentary evidence of Service tax payment (Service Tax remittance challan) made to concerned Service tax authorities corresponding to the tax claimed in the previous invoice / RAB, but restricted to the rate and amount mentioned in the order/contract. The offer should clearly indicate the percentage and the total amount of service tax as well cess. Cess to be indicated as separate line item in invoice.


4.3.2 Service provider/Contractor to ensure their registration for “Intended Service” to be provided, before claiming Service tax under the “intended category”. Decision of BHEL shall be final w.r.t. the “Intended category” in which the service will be falling.

4.3.3 If required by the Purchaser, the Service Provider/Contractor will provide a certificate stating that “CENVAT Benefit has been availed of on the input and the same has been passed on to the purchaser” or “CENVAT Benefit has not been availed of on the inputs”.

4.3.4 Vendor shall comply with the Point of Taxation Rules, as contemplated under the Service Tax Rules. In case, the CENVAT credit could not be availed by BHEL within the time limit (statutory), due to delay in submission of invoice(s) or for any other reason(s) attributable to vendor(s)/contractor(s), liability towards the loss of such CENVAT credit shall be to the vendor(s)/contractor(s) account. TDS shall be made for IT as per Income Tax act.

4.4 OTHER TAXES & LEVIES for Indigenous purchase

All taxes and duties other than Excise Duty, Sales Tax/ VAT, Service Tax shall be deemed to be included in the Ex-Works prices unless specified otherwise by the bidder in the price bid. No variation in other taxes and duties shall be payable by Purchaser. However, statutory variation in Octroi will be payable extra against documentary evidence. Anti-dumping duty, if any, shall be in the account of bidder and shall be included in their price. No separate payment shall be made by BHEL for the same.

	ELECTRO-PORCELAINS DIVISION	GENERAL CONDITIONS OF CONTRACT (GCC) Revision No. R0 (For supply and services)	GENERAL COMMERCIAL TERMS & CONDITIONS Issued on 11.05.2017
--	------------------------------------	---	--

4.5 **CUSTOMS DUTY for Indigenous purchase**

- 4.5.1 Customs Duty element for imported items as per Special Conditions of Contract shall be included in the Ex-Works prices. No variation in customs duty and exchange rate for imported items shall be payable by Purchaser.
- 4.5.2 Seller/Contractor shall arrange for his own import license, if required, since Purchaser will not provide any import license. Therefore, Seller/Contractor alone shall be responsible for any delay in getting import license or non-availability of the same or completion of other related formalities. Purchaser shall not be responsible for any financial liability, whatsoever, on this account.
- 4.5.3 Essentiality Certificate or Project Authority Certificate (PAC) as per Import Policy, if required to avail concessional customs duty, shall be clearly specified in the offer. Import content (CIF value in rupees) with list of items, quantity, foreign currency, country of origin etc., shall be submitted by the bidder as part of Price bid.

4.6 **DIRECT TAX for Indigenous purchase**


- 4.6.1 Purchaser shall not be liable towards income tax of whatever nature including variations thereof, arising out of this Order/Contract, as well as tax liability of the Seller/Contractor and his personnel.
- 4.6.2 Deductions of Tax at source at the prevailing rates shall be effected by the Purchaser before release of payment, as a statutory obligation, if applicable. TDS certificate will be issued by the Purchaser as per statutory provisions.

4.7 **FOREIGN PURCHASE - Imports**


The offered prices shall be inclusive of all the Taxes and duties as applicable in the country of bidder / country of dispatch for the quoted price as per incoterms (FOB/CFR/CIF/CPT etc.). Any variation in the same will be in sellers account.

5.0 **STATUTORY VARIATION for Indigenous purchase**

- 5.1 If the rates for taxes and duties in respect of the quoted materials and/or services assumed by the Seller/Contractor are less than the tariff prevailing at the time of tendering, Seller/Contractor will be responsible for such under quotations. However, if the rates assumed are higher than the correct rates prevailing at the time of tendering, the difference will be to the credit of the Purchaser.

	ELECTRO-PORCELAINS DIVISION	GENERAL CONDITIONS OF CONTRACT (GCC) Revision No. R0 (For supply and services)	GENERAL COMMERCIAL TERMS & CONDITIONS Issued on 11.05.2017
--	------------------------------------	---	--

- 5.2 Statutory Variations in Excise Duty, Service Tax and Central Sales Tax/Value Added Tax only on self-manufactured items/services rendered by vendor himself on the rates prevailing at the time of delivery/ completion in comparison to the date of offer, will be to the account of the Purchaser. No other variations such as on customs duty, exchange rate, minimum wages, prices of controlled commodities, any other input etc. shall be payable by the Purchaser.
- 5.3 Notwithstanding the above, where the actual completion of the supply occurs beyond the period stipulated in the Order/Contract or any extension thereof, variations referred to above, will be limited to the rates prevailing on the dates of such agreed completion periods only. For variations after the agreed completion periods, the Seller/Contractor alone shall bear the impact for the upward revisions and for downward revisions, purchaser shall be given the benefit of reduction in taxes/duties. This will be without prejudice to the levy of penalty for delay in delivery/completion schedule.
- 5.4 Any new tax structure (like Goods & Services Tax) as and when implemented by the Government shall become applicable in addition to or in lieu of existing tax structure.
- 6.0 PRICE BASIS:**
- 6.1 For Supply:**
- 6.1.1 Indigenous purchase** - Firm, till the completion of contract (or with PVC if specified in NIT). Ex-works, inclusive of packing & forwarding charges. Taxes, duties and freight to be paid in line clause no 4 above.
- 6.1.2 Foreign purchase:** Firm, till the completion of contract (or with PVC if specified in NIT). CFR/CPT/CIF/CIP Indian (air) port basis inclusive of testing, inspection, sea worthy packing & forwarding charges to be paid in line with GCC.
- 6.2 For E&C:**
- Firm till completion of the contract (or with PVC if specified in NIT). WCT if any, to be included in price. Service tax along with cess to be indicated separately and will be reimbursed at actuals. TDS shall be made for IT as per Income Tax act.
- 6.3 Prices shall remain Firm (or with PVC if specified in NIT) for any increase or decrease in the Order/Contract value (Ex-works) upto plus or minus 30% within contract period unless specified otherwise in NIT. The Purchaser shall have the right to increase or decrease quantities and scope upto the above extent of value and

	<p align="center">ELECTRO-PORCELAINS DIVISION</p>	<p align="center">GENERAL CONDITIONS OF CONTRACT (GCC) Revision No. R0 (For supply and services)</p>	<p align="center">GENERAL COMMERCIAL TERMS & CONDITIONS Issued on 11.05.2017</p>
--	--	--	---

Seller/Contractor shall be bound to accept the same at the contracted prices without any escalation.

7.0 DRAWING SUBMISSION & APPROVAL:

Drawing submission & Approvals as per technical specification is the responsibility of the vendor.

8.0 DELIVERY TERMS

8.1 Indigenous Purchase

Goods shall be delivered on 'FOR Destination' basis to the named destination unless otherwise called for in the enquiry.

8.2 Foreign Purchase - Imports

8.2.1. Goods shall be dispatched by sea, unless stated otherwise in the enquiry or purchase order.


8.2.2. The goods shall be delivered on CFR basis to the ICD-BANGALORE unless specified otherwise in enquiry or Purchase order.

8.2.3 The quote should be inclusive of all charges, including testing, packing, inspection etc. Additionally ocean freight (LILO basis) for CFR, ICD BANGALORE shall also be quoted separately as per price format.

8.2.4. Goods shall be handled for ocean freight / air freight by BHEL's freight forwarder only, under FOB contracts and OBL / HAWB issued by BHEL appointed forwarder or his authorized agent(s) shall only be accepted for negotiation.

8.2.5 For CFR terms, shipped in Break Bulk/ Container, supplier shall quote the freight charges on LILO (LINER IN LINER OUT) basis. Alternately shipment by container is also acceptable and In such cases B/L should bear the endorsement that "14 free days for Container Detention is applicable" and it would be presumed by BHEL that the freight charges quoted is on LILO (LINER IN LINER OUT) basis including extra charges, if any, like Container Imbalance Charges, Trade Imbalance charges, Port congestion charges or any other charges payable to the Liner. No other charges other than the quoted Freight rate will be paid by BHEL excepting applicable Terminal Handling Charges, Container cleaning Charges, DO charges to Shipping Liner at Discharge Port.

8.2.6 In the event there is a delay by the Supplier in negotiating / submitting the document, any demurrage / wharfage arising out of the same shall be to the account of the Supplier and shall be deducted from the final payment. Also, in such cases, the Supplier shall authorize the Steamer / Shipping agent / transporter to freely release the consignment to BHEL by providing a "Surrender Bill of Lading". Over-seas Suppliers have to give a No-Objection Certificate to BHEL,

	ELECTRO-PORCELAINS DIVISION	GENERAL CONDITIONS OF CONTRACT (GCC) Revision No. R0 (For supply and services)	GENERAL COMMERCIAL TERMS & CONDITIONS Issued on 11.05.2017
--	------------------------------------	---	--

authorizing BHEL to get the Delivery Order from the Steamer Agent without producing the Original Bill of Lading. This is required to ensure avoidance of incidence of demurrage that may arise in case of delayed presentation of documents by the Seller.

8.3 Delivery shall be staggered in the manner as indicated in the tender for each item. Vendors shall submit their offer accordingly.

9.0 TERMS OF PAYMENT

9.1 SUPPLY PACKAGES (Main Supply and Mandatory Spares)

9.1.1 For indigenous purchase

Hundred percent (100%) of basic price of materials supplied, as per PO, along with 100% taxes and duties (as applicable) & freight charges, shall be paid on pro-rata basis after 45 days from the date of receipt of goods & receipt of complete documents as per order/ contract subject to acceptance of materials.

9.1.2 For Foreign Purchase – Imports

Hundred percent (100%) payment on CAD basis after 45 days from the date of receipt of documents specified in PO at BHEL BANK. Respective bank charges to respective account.


9.1.3 PG TEST, INSTALLATION CHECK, SUPERVISION OF ERECTION / COMMISSIONING CHARGES

100% payment shall be released after successful completion of the activity.

Vendors shall submit documents for payment directly to BHEL. Payment will be released within 45 days after receipt of complete documents as per order/ contract.

Note:

- 1) For indigenous suppliers, if the documents are routed through Bank, then all bank charges will be to vendor's account.
- 2) Foreign bidders can opt for payment (less agency commission, if applicable) through irrevocable and unconfirmed letter of credit. In that case for evaluation purpose, prices of foreign bidders will be loaded on account of payment through LC, equal to loading specified against 'Payment through Bank' in Annexure-VIII. No loading will be done if foreign vendors agree for 75 days issuance LC or submit the documents on collection basis for payment within 75 days of submission of complete documents.

	<p align="center">ELECTRO- PORCELAINS DIVISION</p>	<p align="center">GENERAL CONDITIONS OF CONTRACT (GCC) Revision No. R0 (For supply and services)</p>	<p align="center">GENERAL COMMERCIAL TERMS & CONDITIONS Issued on 11.05.2017</p>
--	---	--	--

- 3) LC opening/ negotiation/ confirmation charges will be to vendor's account.
- 4) Any negative PVC, if not adjusted in earlier payments, will be adjusted at the time of subsequent payment.

9.2 DOCUMENTS TO BE SUBMITTED BY VENDOR

9.2.1 For Recognition of Dispatch

Copy of the following documents by e-mail/ fax immediately on despatch:

- a. Invoice
- b. LR /BL/AWB
- c. Packing List
- d. Insurance Intimation
- e. Dispatch Clearance


9.2.2 For Claiming Payments (under clause 9.1.1, 9.2.1, 9.3.1): (under clause 9.1.1)

- a. Original Excise Invoice & Duplicate for transporter - original+3 copies
- b. Consignee Copy of LR
- c. Packing List - clearly showing number of packages, gross weight and net weight. - original+3 copies
- d. MDCC from BHEL/Customer - as per SCC - 4 copies
- e. Guarantee Certificate - Original + 3 copies
- f. Insurance Intimation - 4 copies
- g. PVC Calculation and copy of all applicable indices, if PVC applicable. - 4 copies
- h. Duty drawback documents (original excise invoice, original disclaimer certificate, original certificate from excise authority for payment of excise duty), if applicable. - original + 3 copies

It is the responsibility of the vendor to submit invoices along with documents required for effecting payment within the stipulated period mentioned in the applicable statute for this tender. Non-submission of invoices due to delay/reasons attributable to vendor resulting in / leading to loss of tax credit for BHEL will be into vendor's account.

(Under clause 9.1.2)

- a. Commercial Invoice - original+3 copies
- b. Original clean on board Bill of Lading or clean copy of OBL in case of Telex.
- c. Packing List - clearly showing number of packages, gross weight and net weight container wise also. - original+3 copies
- d. Delivery/ship/airplane schedule mentioning the estimated date of Arrival (ETA) at port & destination in case of CFR/CPT.

	ELECTRO-PORCELAINS DIVISION	GENERAL CONDITIONS OF CONTRACT (GCC) Revision No. R0 (For supply and services)	GENERAL COMMERCIAL TERMS & CONDITIONS Issued on 11.05.2017
--	------------------------------------	---	--

- e. MDCC from BHEL/Customer – as per SCC – 4 copies
- f. Guarantee Certificate – Original + 3 copies
- g. Insurance Intimation - 4 copies
- h. PVC Calculation and copy of all applicable indices, if PVC applicable. – 4 copies
- i. Original Certificate of country of Origin issued by chamber of commerce.
- j. One set of original test certificates & O&M manual where called for.
- k. Fumigation certificate wherever cargo is packed in wooden packing or packing of plant origin material is used wherever called for.
- l. TUV/UL certificates where ever called for.

In case the Seller decides to negotiate all 3 originals of BL through negotiating Bank, non-negotiable documents (NND) consisting of copy of BL / HAWB & all originals at sl.no. 9.2.2 (Except OBL) will be couriered to Purchaser. Soft Copy of same documents at sl. 9.2.2 will also be sent by e-mail to the Purchaser at his e-mail address given in the PO with one copy to be mailed at ketan@bhelepd.com & rb@bhelepd.com. Other documents, as required, will be separately indicated in the Purchase Order.


Additional expenditure, if any, incurred by the Purchaser by way of detention / demurrage, resulting out of delay attributable to the Seller in providing negotiable documents, will be recovered from the Seller.

Note for 9.2.2 Additionally, vendor may furnish mfg clearance/drg/docs approval date etc. for the purpose of determining contractual delivery for expeditious processing of Invoices.

9.2.3 For Claiming Payment for Services involving Service Tax

- a. Invoice as per rule 4A of Service Tax Act – Original + 1 copy
- b. Copy of Service Tax registration certificate
- c. Copy of challan for Service Tax payment corresponding to service tax claimed in the previous invoice
- d. Certification for having carried out the work as applicable.

9.2.4 All your invoices against our order shall reach BHEL –EPD addressed to:
 HEAD OF DEPARTMENT/MATERIAL MANAGEMENT,
 BHEL – ELECTROPORCELAINS DIVISION,
 Opp. IISc, PROF. C N R RAO CIRCLE,
 MALLESWARAM, BANGALORE - 560 012

	<p align="center">ELECTRO- PORCELAINS DIVISION</p>	<p align="center">GENERAL CONDITIONS OF CONTRACT (GCC) Revision No. R0 (For supply and services)</p>	<p align="center">GENERAL COMMERCIAL TERMS & CONDITIONS Issued on 11.05.2017</p>
--	---	--	--

- a. The envelope shall be super-scribed with P.O No. / W.O No., and the Bill / Invoice numbers & Contact person.
- b. Bills / invoices which are brought personally by vendors to EPD are to be dropped in the "BHEL-EPD vendor bills Box" kept near Tender Box at the Reception Office.
- c. Any additional tax implication to BHEL due to delay in submission of bills by Vendor beyond one month shall be to vendor's account.

9.8 LOADING DETAILS IN CASE OF DEVIATIONS:-

Loading details in respect to deviations in Payment Terms, LD, PVC indicated in Annexure – VIII.

9.9 BHEL'S BANKERS

List of the consortium bankers of BHEL-EPD is as per Annexure-X.

9.10 MODE OF PAYMENT

Payments shall be made directly to the Seller/Contractor by E-transfer. Seller/Contractor to provide necessary information for the same as per Annexure-VII.


- 9.11 No interest shall be payable by the Purchaser on the security amount, bank guarantee amount or balance payment or any money which may become due owing to difference or misunderstanding or any dispute between the Purchaser and the Contractor, or any delay on the part of Purchaser in making periodical or final payment or any other aspects incidental thereto.

10.0 RECOVERY OF OUTSTANDING AMOUNT

In event of any amount of money being outstanding at any point of time against the Seller/Contractor due to excess payment or any other reason whatsoever, in the present order/contract or any other order/contract from any BHEL Unit, the outstanding amount shall be recovered from the payments due to the Seller/Contractor or at any other appropriate time and manner/mode as deemed fit by the Purchaser at its sole discretion.

11.0 CONTRACT PERFORMANCE BANK GUARANTEE

- 11.1 No Bank Guarantee is required where original Order/ Contract value is up to Rs. 25 Lakhs (excluding taxes, duties and freight).
- 11.2 For original order / contract values above Rs. 25 Lakhs (excluding taxes, duties and freight), only if specified in SCC, the vendor shall submit Contract Performance


	ELECTRO-PORCELAINS DIVISION	GENERAL CONDITIONS OF CONTRACT (GCC) Revision No. R0 (For supply and services)	GENERAL COMMERCIAL TERMS & CONDITIONS Issued on 11.05.2017
--	------------------------------------	---	--

Bank Guarantee within 10 days from the date of LOI/LOA (as per Annexure-IV) for 10% of Order/ Contract value (excluding taxes, duties & freight) to cover the due performance of Order/ Contract and to fulfill the guarantee conditions stipulated in the Order/ Contract. However, BG value can be proportionality reduced after completion of Guarantee period Unit-wise/ Lot-wise/ Set-wise, as applicable.

- 11.3 In case the order is to be placed in foreign currency, the BG must also be in foreign currency, so specified by the Purchaser. Foreign vendors seeking payment through Letter of Credit (LC) should submit the Bank Guarantee before LC opening.
- 11.4 Value of the Bank Guarantee (at the time of submission) shall remain unchanged for any subsequent variations in order/ contract value up to 20%. Beyond this, the Seller/ Contractor shall arrange to enhance or reduce the value of the Bank Guarantee accordingly.
- 11.5 Validity of the Bank Guarantee shall be for the entire Guarantee period + 3 months claim period. Initially, it should be at least 18 months + 3 months claim period, later extended to cover the entire guarantee period, two months before its expiry.
- 11.6 Purchaser reserves the right to encash the bank guarantee and forfeit the amount in the event of any default, failure or neglect on part of the Seller/ Contractor in fulfillment of performance of the Order/ Contract.
- 11.7 Equivalent amount shall be recovered from payment due to the Seller/ Contractor, before releasing any payment, in absence of a valid bank guarantee.
- 11.8 Bank Guarantees shall be from Consortium Bank as per Annexure-X. Bank guarantees from cooperative banks/ non-scheduled banks are not acceptable.
- 11.9 In case of private sector banks, a clause to be incorporated in the text of bank guarantee that it can be enforced by being presented at any branch of the bank located in Bangalore.
- 11.10 Two witness signatures from bank officials, other than the bank official who has already signed is a must. BG is to be submitted directly by the issuing bank to concerned purchase officer, under registered post (A/D).
- 11.11 The Bank Guarantee to be provided in the hard and not in the SFMS format". Our bank details are as follows:

Name of Site/division: BHEL EPD

Name of Bank: IDBI BANK, SPECIALIZED CORPORATE BRANCH

	ELECTRO- PORCELAINS DIVISION	GENERAL CONDITIONS OF CONTRACT (GCC) Revision No. R0 (For supply and services)	GENERAL COMMERCIAL TERMS & CONDITIONS Issued on 11.05.2017
--	---	---	--

Branch Address: 102, SHAKTHI COMFORT TOWER,
 KH ROAD, BANGALORE- 560027
 PH NO 67121025
 KIND ATTN: Mr. MANMOHAN SOMA
 ALT: Mrs. VP SHIVA SHAKTI
 PH NO 67121059.
Branch IFSC Code: IBKL0000377
Account No: 008103000003605

11.12 Wherever the contract is for supply of Goods processed on labour basis from BHEL supplied materials, the materials shall be issued against a suitable Bank guarantee as specified in the Enquiry.

12.0 GUARANTEE FOR PLANT/EQUIPMENT/ STORES

12.1 Seller/ Contractor shall warrant that the stores supplied shall be free from all defects and faults in design & engineering, material, workmanship & manufacture and shall be of the highest grade and consistent with the established and generally accepted standards and in full conformity with the Order/ Contract specifications, drawing or samples, if any.


12.2 Guarantee period for **Supply** shall be eighteen (18) months from the date of last dispatch or as per SCC whichever is later.

12.3 All replacements and repairs during the guarantee period shall be delivered and completed promptly and satisfactorily within a period of one months from the time of reporting the defect/ loss/ rejection etc or any mutually agreed period without prejudice to purchaser's other legal rights. If the Seller/ Contractor so desires and the Purchaser agrees, subject to import control regulations, the replaced parts can be taken over by Seller/ Contractor or his representative or can be dispatched at Seller/ Contractor's cost. No claim, whatsoever shall be entertained by Purchaser on account of such replaced parts.

12.4 All the replaced and replenished stores shall also be guaranteed as per above clauses.

12.5 Decision of Purchaser with regard to Seller/ Contractor's liability and the amount involved, if any, payable by Seller/ Contractor under the guarantee shall be final, conclusive and binding. However, vendor's maximum liability will be limited to the total contract value including taxes, duties and freight.

13.0 DELIVERY / COMPLETION SCHEDULE

	ELECTRO-PORCELAINS DIVISION	GENERAL CONDITIONS OF CONTRACT (GCC) Revision No. R0 (For supply and services)	GENERAL COMMERCIAL TERMS & CONDITIONS Issued on 11.05.2017
--	------------------------------------	---	--

- 13.1 Supply of plant/equipment/stores shall not be considered complete until they have been inspected and accepted at the place and destination specified for delivery by the time stipulated under the terms & conditions of the Order/Contract. Mere payment by itself shall not constitute acceptance of the goods or materials in any manner, whatsoever.
- 13.2 Vendor shall strictly adhere to delivery schedule. In case of non compliance to agreed schedules / milestones, then it would be presumed that vendor / contractor is not fulfilling contractual obligations. BHEL reserves the right to take suitable action like operating "Risk & cost clause".


14.0 INSPECTION AND TESTING AT CONTRACTOR'S PREMISES

- 14.1 Purchaser's nominated Inspection Agency shall have at all reasonable times access to Seller/ Contractor's premises or works and shall have the power at all reasonable times to inspect drawings of any portion of the work or examine the materials and workmanship of the stores during their manufacture, and if part of the stores is manufactured at other premises, the Seller/Contractor shall arrange for inspection, examination and testing by the Inspection Agency as if the store is manufactured on the Seller/Contractor's premises.

Inspection calls should be given adequate notice of one week or as mutually agreed period in advance in writing to the purchaser about the date & place where goods will be ready for inspection & testing, as provided for in the contract.

Such inspection, examination and testing by itself shall not relieve the Seller/Contractor from any obligation under the Order/Contract.

- 14.2 Seller/Contractor shall give Inspection Agency reasonable notice of any material being ready for testing and the Inspection Agency shall (unless the inspection of tests is voluntarily waived) attend at the Seller/Contractor's premises within fifteen (15) days of the date on which the material is notified as being ready. All standard shop tests, physical and chemical tests required by the standards or as may be prescribed or approved as per Order/ Contract shall be conducted by the Seller/Contractor. Purchaser/Inspection Agency reserves the right to waive any of the above tests requirements and to prescribe new tests, if found necessary, to complete the work so as to conform to the best practices. Seller/Contractor shall forthwith forward to the Inspection Agency, duly certified copies of the test certificates in quadruplicate, for approval. Further copies of the shop test certificates shall be bound with the instruction manuals referred to in "Seller/Contractor's documents, drawings and instruction manuals".

	ELECTRO-PORCELAINS DIVISION	GENERAL CONDITIONS OF CONTRACT (GCC) Revision No. R0 (For supply and services)	GENERAL COMMERCIAL TERMS & CONDITIONS Issued on 11.05.2017
--	------------------------------------	---	--

14.3 Where the Order/Contract provides for tests/inspections at the premises or works of the Seller/Contractor or any sub-contractor, the Seller/Contractor, except specified otherwise, shall provide free of charge such assistance, labour, materials, electricity, fuel, water, stores, apparatus, measuring instruments and test equipment including any other facilities as may be reasonably required to carry out such tests efficiently. In case of inspection by BHEL or BHEL CUSTOMER, the cost of to & fro passage and boarding & lodging shall be borne by purchaser/customer, unless otherwise specifically agreed. In case of foreign vendors the cost of third party inspection, where called for shall be deemed to be included in the quoted price.

14.4 Inspection calls shall be addressed to BHEL-EPD Purchase Department irrespective of inspection categories.

14.5 INSPECTION MEASURING AND TEST EQUIPMENTS


14.5.1 Inspection Measuring and Test Equipments (IMTE) whether used by the Seller/Contractor or sub-contractor shall be calibrated, maintained and controlled. Calibration shall be valid and IMTE maintained in sound condition during usage.

14.5.2 In addition to above, Seller/ Contractor shall ensure the following :

- a) Measurement uncertainty is known and consistent with required measurement capability of the IMTE.
- b) Selection of IMTEs is compatible with the necessary accuracy and precision of required measurement.
- c) IMTEs are calibrated at the required intervals against certified equipments having known valid relationship to nationally recognized standards, at recognized calibration labs.
- d) Calibration records are available and traceable to the particular IMTE.
- e) In case, during recalibration, the IMTE is found out of calibration, report on action taken to validate the previous results along with both calibration records of the IMTE to be furnished to Inspection Agency.
- f) IMTEs are stored, handled and preserved such that accuracy and fitness are maintained and safeguarded from adjustments.

NOTE: Purchaser's decision on acceptability of the product in such cases shall be binding.

14.5.3 Responsibility of usage of valid and calibrated IMTEs by his sub-contractor(s) shall be of the Seller/ Contractor.

	ELECTRO-PORCELAINS DIVISION	GENERAL CONDITIONS OF CONTRACT (GCC) Revision No. R0 (For supply and services)	GENERAL COMMERCIAL TERMS & CONDITIONS Issued on 11.05.2017
--	------------------------------------	---	--

14.5.4 In case, calibration records are required by purchaser, copies of the same shall be furnished.

14.6 Seller/Contractor shall be fully responsible for the Quality of products supplied by sub-contractors.

15.0 MATERIAL DESPATCH CLEARANCE CERTIFICATE (MDCC)

15.1 When the tests have been satisfactorily completed at Seller/Contractor's works, the Inspection Agency shall issue a certificate to that effect within fifteen (15) days after completion of the tests, but if the tests were not witnessed by the Inspection Agency or his representative, the certificate would be issued within fifteen (15) days after receipt of the test certificates by the Purchaser.

15.2 Purchaser/Owner will issue MDCC to the Seller/Contractor based on inspection report/ test certificates.

15.3 No item / equipments shall be dispatched without obtaining Material Dispatch clearance certificate from BHEL-EPD Purchase Department irrespective of inspection categories.


15.4 Satisfactory completion of tests or issue of MDCC shall not bind the Purchaser/Owner to accept the supply/ equipment should it, on further tests after erection, be found not to comply with the contract provisions.

16.0 DELIVERY FAILURE AND TERMINATION/LIQUIDATED DAMAGES

16.1 Timely dispatch/delivery and completion of other schedules as stipulated in Order/Contract shall be the essence of Order/Contract. If the Seller/Contractor fails to complete the dispatch/delivery and other schedules within the time period stipulated in Order/Contract, or within any extension of time granted by Purchaser, it shall be lawful for Purchaser to recover damages for breach of Order/Contract without prejudice to any other rights and/or remedies provided for, in the Order/Contract and hereunder. For any delay not attributable to the Seller/Contractor, the Seller/Contractor must report the same to Purchaser immediately.

16.2 DELAYED DELIVERY

16.2.1 Purchaser reserves the right to recover from the Seller/Contractor, as agreed liquidated damages and not by way of penalty, a sum equivalent to half (½) percent of the total contract price per week or part thereof, subject to a maximum of ten (10) percent of the total contract price excluding elements of taxes, duties and freight, if

	ELECTRO- PORCELAINS DIVISION	GENERAL CONDITIONS OF CONTRACT (GCC) Revision No. R0 (For supply and services)	GENERAL COMMERCIAL TERMS & CONDITIONS Issued on 11.05.2017
--	---	---	--

the Seller/ Contractor fails to deliver ordered stores within the period stipulated in the Order/Contract.

However, In case of staggered delivery schedule, the LD shall be half (1/2) percent of the undelivered portion per week or part thereof, subject to a maximum of ten (10) percent of the contract price **excluding** elements of taxes, duties and freight, if the Seller/ Contractor fails to deliver any part of the ordered stores within the period stipulated in the Order/Contract.

NOTE:

1. LR/ RR date for indigenous supplies and AWB/ BL date for FOB/CIF/CIP/CFR/CPT contracts shall be treated as the date of dispatch for levying LD as per Clause 16.
2. In case of any amendment/revision, LD shall be linked to the amended/ revised contract value and delivery date(s).
3. If Order/ Contract involves two or more Units/ Sets/ Lots, then Liquidated Damages shall be for order/ contract value of the delayed Unit/ Set/ Lot, provided delivery stipulated in the Order/ Contract is Unit/ Set/ Lot wise, however total LD amount shall be limited to 10% of total order value. (excluding taxes, duties and freight)


16.2.2 Purchaser reserves the right to purchase from elsewhere on account of and at the risk and cost of Seller/Contractor, with notice to Seller/Contractor, the stores due for delivery but not so delivered, or their equivalent without cancelling the Order/Contract in respect of stores not yet due for delivery. The manner and method of such purchase shall be at the discretion of the Purchaser. The actual excess cost incurred for such purchases will be recovered from the bidder.

16.2.3 Purchaser reserves the right to cancel the Order/Contract or a portion thereof for the stores not so delivered at the risk and cost of the Seller/Contractor and the Seller/Contractor shall be liable to the Purchaser for any excess cost thereof. The actual excess cost incurred for such purchases will be recovered from the bidder.

16.2.4 Seller/Contractor shall continue performance of the Order/Contract, under all circumstances, to the extent not cancelled.

17.0 INSURANCE

17.1 Insurance shall be arranged by BHEL.

	ELECTRO-PORCELAINS DIVISION	GENERAL CONDITIONS OF CONTRACT (GCC) Revision No. R0 (For supply and services)	GENERAL COMMERCIAL TERMS & CONDITIONS Issued on 11.05.2017
--	------------------------------------	---	--

17.2 Vendors shall inform the Underwriters, appointed/ nominated by BHEL/ Purchaser, the details of dispatches under intimation to BHEL such as LR No./BL/AWB and date, Truck No./vessel details/flight details, P.O. No. and value.

17.3 Insurance as applicable for field work such as third party liability, workmen compensation, Seller/Contractor's own Tools & Plants and automobile shall be arranged by the Seller/ Contractor.

18.0 INTER-CHANGEABILITY AND CHANGES

18.1 All similar components or parts of similar equipment supplied by Seller/Contractor shall be interchangeable with one another.

18.2 Even though all the work and materials necessary for satisfactory completion of the works may not be detailed in the specifications and schedules, the cost will be considered to be within the contract price and no extra charges shall be payable. However, if there are substantial changes in the specifications of the stores/plant, consequential changes in prices shall be mutually agreed between Purchaser and Seller/Contractor.

19.0 PACKING AND DISPATCH MARKING

19.1 Packing shall be in conformity with specifications and shall be such as to ensure prevention of damages, corrosion, deterioration, shortages, pilferage and loss in transit or storage.


19.2 In case of shipment by sea, the packing shall be sea-worthy and of international standards.

19.3 Packing List shall be submitted as per standard format along with advance set of documents for claiming payment which shall also indicate:-

- a) Packing size.
- b) Gross weight and net weight of each package.
- c) Contents of the package with quantity of each item separately.


19.4 The number of each package in a shipment shall be shown in fraction, numerator showing number of the package and the denominator showing total number of packages in a lot I consignment. The packages number shall be generally prepared in the sequence in which they will be required for erection.

19.5 Each package delivered under the Contract shall be marked by and at the expense of the supplier and such marking must be distinct and in English language (all previous irrelevant markings being carefully obliterated). Such marking shall

	ELECTRO-PORCELAINS DIVISION	GENERAL CONDITIONS OF CONTRACT (GCC) Revision No. R0 (For supply and services)	GENERAL COMMERCIAL TERMS & CONDITIONS Issued on 11.05.2017
--	------------------------------------	---	--

show the description and quantity of contents, the name and address of consignee. the gross weight and net weight of the package, the name of the Contractor with a distinctive number of mark sufficient for purposes of identification. All markings shall be carried out with such materials as to ensure quickness of drying. fastness and indelibility. Each equipment or parts of equipment shall, when shipped or railed or otherwise dispatched be tagged with reference to the assembly drawings and corresponding part numbers. Each bale or package shall contain a packing note quoting specifically the name of the Contractor, the number and date of contract and the name of the office placing the contract, nomenclature of the stores and include a schedule of parts for each complete equipment giving the part numbers with reference to the assembly drawing and the quantity of each part, drawings nos. and tag numbers.

- 19.6 Besides wherever necessary, packing shall bear a special marking " TOP", " BOTTOM", "DO NOT TURN OVER", "KEEP DRY", "HANDLE WITH CARE".etc.
- 19.7 All packing cases, containers (excluding marine container), packing and other similar materials shall be new.
- 19.8 Notwithstanding anything stated in this clause, the Contractor shall be entirely responsible for loss, damage or depreciation or deterioration to the materials & supplies due to faulty and/or insecure packing.
- 19.9 Each and every package box shall be marked with the following, as a minimum:
- (i). Name and address of Consignee:
 - (ii). Project reference:
 - (iii). Contract No.:
 - (iv). Packing No.: (1110. 2110, 3110 when there are 10 packages For one consignment)
 - (v). Net Weight/Gross Weight:
 - (vi). Port of Loading:
 - (vii). Destination Port
 - (viii). Packing Mark: [symbols indicating "TOP" and other special markings as indicated above.
 - (ix). Type of Equipment:
- "E" (for Equipment supply)

	ELECTRO-PORCELAINS DIVISION	GENERAL CONDITIONS OF CONTRACT (GCC) Revision No. R0 (For supply and services)	GENERAL COMMERCIAL TERMS & CONDITIONS Issued on 11.05.2017
--	------------------------------------	---	--

"T" (for Tools & Tackles)

"S" (for Mandatory Spares)

19.10 PACKING FOR SPARES

19.10.1 The commissioning spares shall be properly packed separately in separate box and each spare shall be properly tagged giving details (to match the description given in the packing slip) to facilitate their proper identification. Three copies of packing list is to be kept inside the box and one copy in a special packet at the outer side of the Box.

19.10.2 The Mandatory spares shall be properly packed separately in separate box indicating Mandatory Spares in bold letters and each spare shall be properly tagged giving details i.e. item number of the equipment in line with the Ultimate Customer/Owner Contract & Number per item (to match the description given in the packing slip) to facilitate their proper identification by ultimate Customer/Owner. Three copies of packing list along with Manufacturing drawing no. Reference. Catalogue reference etc. is to be kept inside the box and one copy in a special packet at the outer side of the Box.

20.0 STORAGE INSTRUCTIONS

Successful tenderer shall be required to submit detailed instructions for storage of supplies within two weeks of date of issue of LOI/ Order/ Contract.


21.0 MATERIAL/GOODS RECEIPT CERTIFICATE

Seller/Contractor shall arrange Material/Goods Receipt Certificate from the consignee, duly signed by Purchaser/Owner Site Engineer after receipt & physical verification of the material, wherever E&C is in the scope of Seller/ Contractor.

For Supplies, Material/Goods Receipt Certificate shall be arranged by BHEL. Vendor to provide copy of receipted LRs to enable BHEL to obtain MRC from site.

22.0 CONSIGNEE'S RIGHT OF REJECTION

22.1 Notwithstanding any approval of Purchaser or Engineer in respect of stores or materials or other particulars or work or workmanship involved in performance of order/contract (with or without any test carried out by Seller/Contractor or Inspection Agency or under direction of Contract Engineer), and notwithstanding delivery of the stores where so provided to the consignee, it shall be lawful for the consignee, on behalf of the Purchaser, to reject the stores or any part/ portion of consignment thereof, within 30 days after actual delivery at the stipulated place or

	ELECTRO-PORCELAINS DIVISION	GENERAL CONDITIONS OF CONTRACT (GCC) Revision No. R0 (For supply and services)	GENERAL COMMERCIAL TERMS & CONDITIONS Issued on 11.05.2017
--	------------------------------------	---	--

destination, if such stores or part/ portion of consignment thereof is not in conformity with terms and conditions of order/contract whether on account of any loss, storage, deterioration or damage before despatch or otherwise, whatsoever.

22.2 Rejected goods or materials shall be removed by Seller/Contractor within a period of 15 days from the date of receipt of notice of such rejection. The expenses to be incurred in respect thereof shall be borne entirely by the Seller/Contractor.

23.0 RISK IN STORES (FOR E&C CONTRACTS)

Seller/ Contractor shall perform the order/ contract in all respects in accordance with terms and conditions thereof. Stores and every constituent part thereof, whether in possession or control of the Seller/Contractor, his agents or servants, or a carrier, or in joint possession of Seller/ Contractor, his agent or servants and Purchaser, his agents or servants, shall remain in every respect at the risk of Seller/Contractor until their actual delivery to consignee at the stipulated place or destination or where so provided in acceptance of offer, until their delivery to a person specified by Purchaser as interim consignee for the purpose of despatch to the consignee. Seller/Contractor shall be solely responsible for all losses, destructions, damages or deterioration to the stores from any cause whatsoever, while the stores await dispatch after approval by the Inspection Agency.

24.0 SHORTAGES/DAMAGES

24.1 FOR SUPPLY PACKAGES


- a) Shortages in sound cases shall be replenished free of cost by the vendor, as early as possible.
- b) For shortages/damages during transit/ handling at site, vendor shall supply replacements, as early as possible, at the old contractual rates upon intimation to vendor within one months of receipted LR.

24.2 FOR E&C PACKAGES

Any shortages or damages during unloading and handling at site, including at the time of erection and commissioning, shall be made good by the Seller/ Contractor at his risk and cost, to meet the project schedule. In case of faults/ discrepancies in any material, component, sub-assembly, assembly, etc., the same shall be supplied/replenished free of cost to enable the equipment to be put to service.

25.0 CONFIDENTIALITY

Seller/Contractor shall, at all times, undertake to maintain complete confidentiality of all data, information, software, drawings & documents, etc. belonging to the


	ELECTRO-PORCELAINS DIVISION	GENERAL CONDITIONS OF CONTRACT (GCC) Revision No. R0 (For supply and services)	GENERAL COMMERCIAL TERMS & CONDITIONS Issued on 11.05.2017
--	------------------------------------	---	--

Purchaser and also of systems, procedures, reports, input documents, manuals, results and any other company documents discussed and/or finalised during the course of execution of order/contract.

26.0 DEFAULT/BREACH OF CONTRACT, INSOLVENCY AND RISK PURCHASE

26.1 If Seller/Contractor fails to deliver goods or materials or any installment thereof within the period(s) fixed for such delivery or delivers goods or materials not of the contracted quality and failing to adhere to the contract specifications or at any time repudiates or otherwise abandons the contract before expiry of such period or refuses or is unable to supply goods or materials covered by the Order/Contract either in whole or in part or otherwise fails to perform the Order/Contract or commits any breach of Order/Contract not herein specifically provided for or in the event of the death or insanity or if the Seller/Contractor being an individual or if a firm on a partnership thereof, shall at any time, be adjudged insolvent or shall have a receiving order for administration of his estate made against him or shall take any proceeding for composition under any Insolvency Act for the time being in force or make any assignment of the Order/Contract or enter into any arrangement or composition with his creditors or suspend payment or if the firm is dissolved under the Partnership Act or if the Seller/Contractor being a company is wound up voluntarily or by order of a Court or a Receiver, Liquidator or Manager on behalf of the debenture holders and creditors is appointed or circumstances shall have arisen which entitles the Court of debenture holder and creditors to appoint a receiver, liquidator or manager, the purchaser without prejudice to his right to recover any expenses, losses or damages to which the Purchaser may be put to incur or sustain by reason of Seller/Contractor's default or breach of Order/Contract, Purchaser shall be entitled to cancel the Order/Contract either in whole or portion thereof without compensation to Seller/Contractor and if the Purchaser so desires, may procure upon such terms and in such manner as deemed appropriate, stores not so delivered or others of similar description where stores exactly complying with particulars are not, in the opinion of the Purchaser, which shall be final, readily procurable, at the risk and cost of the Seller/Contractor and the Seller/Contractor shall be liable to the Purchaser for any excess costs provided that the Seller/Contractor shall continue the performance of the Order/Contract to the extent not cancelled under the provisions of this clause. The Seller/Contractor shall on no account be entitled to any gain on such repurchases.

Except for Clause 26.2, vendor's maximum liability will be limited to the total contract value including taxes, duties and freight.

	ELECTRO-PORCELAINS DIVISION	GENERAL CONDITIONS OF CONTRACT (GCC) Revision No. R0 (For supply and services)	GENERAL COMMERCIAL TERMS & CONDITIONS Issued on 11.05.2017
--	------------------------------------	---	--

26.2 Recovery on account of purchases made by Purchaser at the risk and cost of Seller/ Contractor shall be worked out as follows:

Excess of new purchase cost over old purchase cost, where the total value of new PO is more than total value of old PO.

27.0 TERMINATION OF CONTRACT

27.1 Purchaser shall have the right to cancel Order/Contract, wholly or in part, in case they are obliged to do soon account of any decline, diminution, curtailment or stoppage of their business and in that event, the Seller/Contractor compensation claim shall be settled mutually.


27.2 Purchaser shall have the right to cancel order/contract at the risk and cost of Seller/Contractor in case either the Seller/Contractor himself or any of his representative or agent is found to have been a previous employee of the Purchaser immediately before retirement and has within a period of two years of such retirement accepted the employment of the Seller/Contractor either as a Seller/Contractor or as an employee without having obtained prior permission of Purchaser.

27.3 In case of cancellation of main supply order/ contract, all other associated orders/ contracts like mandatory spares/ recommended spares/ E&C/ supervision of E&C would also get cancelled.

28.0 TRANSFER, SUB-LETTING/ASSIGNMENT/SUB-CONTRACTING

28.1 Seller/Contractor shall not sublet, transfer or assign order/contract or any part thereof or interest therein or benefit or advantage thereof save without the prior consent in writing of Purchaser. In the event of Seller/Contractor sub-letting, transferring or assigning order/contract or any part thereof or interest therein or benefit or advantage thereof without such permission, the Purchaser shall be entitled to cancel the Order/Contract and to purchase the stores from elsewhere at risk and costs of Seller/Contractor and the Seller/Contractor shall be liable for any loss or damage which Purchaser may sustain in consequence of or arising out of such risk purchase.

28.2 If Seller/Contractor is an individual or proprietary concern and the individual or the proprietor dies or the partnership is dissolved or substantially affected, then unless the Purchaser is satisfied that legal representative of individual seller/contractor or proprietor of proprietary concern and surviving partners of partnership firm are capable of carrying out and completing the order/contract, the Purchaser shall be entitled to cancel the order/ contract as to its incomplete portion

	ELECTRO-PORCELAINS DIVISION	GENERAL CONDITIONS OF CONTRACT (GCC) Revision No. R0 (For supply and services)	GENERAL COMMERCIAL TERMS & CONDITIONS Issued on 11.05.2017
--	------------------------------------	---	--

and without being in any way liable to payment of any compensation to estate of seller/contractor and/or to surviving partners of seller's/contractor's firm on account of cancellation of the order/contract.

28.3 Decision of Purchaser that legal representatives of deceased seller/contractor or surviving partners of the seller's/contractor's firm can not carry out and complete the order/contract shall be final and binding on the parties hereto.

28.4 Terms and Conditions shall not get affected in case of merger/amalgamation/takeover/re-arrangement etc.

29.0 FORCE MAJEURE


29.1 Notwithstanding anything contained in Clause 13.0, if at any time during the continuance of the Order/Contract, the performance in whole or in part by either party of any obligations under the Order/Contract shall be prevented or delayed by reason of any war hostilities, acts of the public enemy, restrictions by Govt. of India, civil commotion, sabotage, fires, floods, explosion, epidemics, quarantine restrictions, strike, lock-outs, or acts of God (hereinafter referred to as 'event'), then, provided notice of the happening of such event is given by either party to the other within fifteen (15) days from the date of occurrence thereof, neither party shall by reason of such event be entitled to terminate the Order/Contract nor shall have any claim for damages against each other in respect of such non-performance and delay in performance. Performance under the Order/Contract shall be resumed immediately after such event has come to an end or ceased to exist and decision of Purchaser as to whether the deliveries have to be resumed or not shall be final, conclusive and binding on the parties hereto.

29.2 In the event of the parties hereto not able to agree that a force majeure event has occurred, the parties shall submit the disputes for resolution pursuant to the provisions hereunder, provided that the burden of proof as to whether a force majeure event has occurred shall be upon the party claiming such an event.

29.3 Notwithstanding the above provisions, Purchaser shall reserve the right to cancel the Order/Contract, wholly or partly, in order to meet the overall schedule and make alternative arrangements for completion of delivery and other schedules.

30.0 INDEMNIFICATION

Seller/Contractor shall fully indemnify and keep indemnified the Purchaser against all claims of whatsoever nature arising during the course and out of the execution of this Order/Contract.


	<p style="text-align: center;">ELECTRO- PORCELAINS DIVISION</p>	<p style="text-align: center;">GENERAL CONDITIONS OF CONTRACT (GCC) Revision No. R0 (For supply and services)</p>	<p style="text-align: center;">GENERAL COMMERCIAL TERMS & CONDITIONS Issued on 11.05.2017</p>
--	--	---	---

31.0 SETTLEMENT OF DISPUTES

- 31.1 Except as otherwise specifically provided in the Order/Contract, all disputes concerning questions of the facts arising under the Order/Contract, shall be decided by Purchaser, subject to written appeal by the Seller/Contractor to the Purchaser, whose decision shall be final.
- 31.2 Any dispute or difference shall be, to the extent possible, settled amicably between the parties hereto, failing which the disputed issues shall be settled through arbitration.
- 31.3 Seller/Contractor shall continue to perform the order/contract, pending settlement of dispute(s).

32.0 ARBITRATION & CONCILIATION

- 32.1 Except as provided elsewhere in this Contract, in case amicable settlement is not reached between the parties, in respect of any dispute or difference; arising out of the formation, breach, termination, validity or execution of the Contract; or, the respective rights and liabilities of the parties; or, in relation to interpretation of any provision of the contract; or, in any manner touching upon the Contract, then, either party may, by a notice in writing to the other party refer such dispute or difference to the sole arbitration of an arbitrator appointed by head of the BHEL Unit/Region/Division issuing the Contract.
- 32.2 The Arbitrator shall pass a reasoned award and the award of the Arbitrator shall be final and binding upon the parties.
- 32.3 Subject as aforesaid, the provisions of arbitration and conciliation act 1996 (India) or statutory modifications or re-enactments thereof and the rules made thereunder and for the time being in force shall apply to the arbitration proceedings under this clause. The seat of arbitration shall be **Bangalore**. The cost of arbitration shall be borne as per the award of the Arbitrator.
- 32.4 Subject to the arbitration in terms of Clause 32.0 above, the Courts at **Bangalore** shall have exclusive jurisdiction over any matter arising out of or in connection with this Contract.
- 32.5 Notwithstanding the existence or any dispute or differences and/or reference for the arbitration, the Contractor shall proceed with and continue without hindrance the performance of its obligations under this contract with due diligence and expedition in a professional manner except where the contract has been terminated by either party in terms of this Contract.

	ELECTRO- PORCELAINS DIVISION	GENERAL CONDITIONS OF CONTRACT (GCC) Revision No. R0 (For supply and services)	GENERAL COMMERCIAL TERMS & CONDITIONS Issued on 11.05.2017
--	---	---	--

32.6 In case of contract with public sector enterprise (PSE) or a government Department, the following shall be applicable:

In the event of any dispute or difference relating to the interpretation and application of the provisions of the Contract, such dispute or difference shall be referred by either party for arbitration to the sole arbitrator in the Department of public Enterprises to be nominated by the secretary to the government of India in-charge of the Department of public enterprises. The arbitration and Conciliation act, 1996 shall not be applicable to arbitration under this clause the award of the arbitrator shall be binding upon the parties to the dispute, provided, however, any party aggrieved by such award may make further reference for setting aside or revision of the award to the law secretary, department of legal affairs, Ministry of law and justice, Government of India. Upon such reference the dispute shall be decided by the law secretary or the special secretary or Additional secretary when so authorized by the law secretary, whose decision shall bind the parties hereto finally and conclusively. The parties to the dispute will share equally the cost of arbitration as intimated by the Arbitrator.”

33.0 LAWS GOVERNING THE CONTRACT

Contract, including all matters connected with contract, shall be governed by the Indian Law, both substantive and procedural, for the time being in force including modification thereto, and shall be subject to the exclusive jurisdiction of the Indian courts at Bangalore.


34.0 JURISDICTION OF COURT

Courts at Bangalore shall have exclusive jurisdiction to decide the dispute, if any, arising out of or in respect of the contract(s) to which these conditions are applicable.

35.0 ORDER OF PRECEDENCE

In the event of any ambiguity or conflict between the Tender Documents, the order of precedence shall be in the order below:

1. Amendments/Clarifications/Corrigenda/Errata etc issued in respect of the tender documents by BHEL.
2. Notice Inviting Tender (NIT)
3. Price Schedule

	<p align="center">ELECTRO- PORCELAINS DIVISION</p>	<p align="center">GENERAL CONDITIONS OF CONTRACT (GCC) Revision No. R0 (For supply and services)</p>	<p align="center">GENERAL COMMERCIAL TERMS & CONDITIONS Issued on 11.05.2017</p>
--	---	--	--

4. Special Conditions of Contract (SCC)
5. Technical specification & scope of work
6. General Conditions of Contract (GCC)

36.0 SUPPLIER PERFORMANCE MONITORING AND RATING SYSTEM

Seller/Contractor's performance will be evaluated as per Supplier Performance Monitoring and Rating System of BHEL. Please refer BHEL website www.bhel.com for details.

37.0 DEALING WITH BANNED SUPPLIERS/ CONTRACTORS IN BHEL

Offers of the bidders who are on the banned list, as also the offers of the bidders who engage the services of the banned firms, shall be rejected. The list of banned firms is available on BHEL website www.bhel.com.

ANNEXURE No.	DESCRIPTION
I	OFFER SUBMISSION AS PER NIT
II	DEVIATION SHEET COST OF WITHDRAWAL)
III	DECLARATION
IV	CONTRACT PERFORMANCE BANK GUARANTEE
V	GUIDELINES FOR FOREIGN SUPPLIERS AND INDIAN AGENTS OF FOREIGN SUPPLIERS
VI	REQUEST FOR ISSUE OF FORM-C
VII	NEFT DETAILS
VIII	LOADING CRITERA
IX	INTEGRITY PACT
X	LIST OF CONSORTIUM BANKS
XI	REVERSE AUCTION GUIDLINES
XII	NO DEVIATION FORMAT
XIII	AUTHORISED SIGNATORY
XIV	FORMAT FOR POWER OF ATTORNEY
XV	RAB FORMAT FOR E&C
XVI	INDEMNITY BOND
XVII	CONSORTIUM AGREEMENT
XVIII	VENDOR PARTICULARS & LOGISTICS INFORMATION
XIX	NON DISCLOSURE AGREEMENT
XX	

ANNEXURE-I

(To be filled up by the Bidder)

Ref. No.:

Date :

M/s Bharat Heavy Electricals Ltd.,
Electroporcelains Division
Prof. CNR Rao Circle
Malleshwaram
Bangalore - 560012

Attention : Shri

Dear Sir,

1 Having examined the tender documents against your tender Enquiry No _____ dated _____ and having understood the provisions of the said tender documents and having thoroughly studied the requirements of BHEL related to the work tendered for, in connection with _____ (name of work & project site), we hereby submit our offer for the proposed work in accordance with terms and conditions mentioned in the tender documents, at the prices quoted by us in your price schedule format and as per the indicated delivery schedule.

2. If the work or any part thereof is awarded to us, we undertake to submit security-cumcontract performance bank guarantee as per your requirement.

3. We have annexed to this tender the following documents:-

Part-I (Techno Commercial Bid) - in a properly sealed cover (uploaded in website in case of e-procurement).

- a) Complete Techno-Commercial Offer.
- b) Un-priced copy of deviation sheet (cost of withdrawal) - Annexure-II
- c) Un-priced copy of Price Schedule using format given by BHEL.
- d) Any other documents (please specify).

Part-II (Price Bid along with Priced Annexure-II) - in a separate, properly sealed cover, in the format given by BHEL (uploaded in website in case of e-procurement).

Thanking you,

Yours faithfully,

(Signature of the bidder with Name, Designation and Company's Seal)

ANNEXURE - III

DECLARATION

It is hereby declared that the original/ revised* price bid for _____

_____ (Name of Package) for _____ project is complete in all respects and contains prices for complete scope of supply, including tests etc., as per BHEL's requirement. If in the original/ revised* price bids where itemized price is not available for any part of scope of supply, including tests etc. for completion of the package, the same should be treated to have been included in our original/ revised* price bid.

It is also agreed that no further chance for seeking clarification/ confirmation to any missing point will be necessary.

Absence of itemized prices against some items does not mean that they are not included. Even though itemized prices are given for major items, those items which are not specially shown, are also included to meet the entire system as per BHEL requirements.

Signature of authorized Representative Name
and Designation:

Name & Address of the Bidder

Date

Forwarded to:

BHARAT HEAVY ELECTRICALS LTD

Electroporcelains Division

Prof. CNR Rao Circle

Malleswaram

Bangalore - 560012

* (Please delete whichever is not applicable)

ANNEXURE - IV

PROFORMA OF PERFORMANCE BANK GUARANTEE
(FOR INDIEGNOUS PURCHASE ORDERS)

- Note: 1) To be executed in Rs 100/- Non-Judicial stamp paper.
2) To be submitted to Purchase Dept. directly by the Banker

PERFORMANCE GUARANTEE
(PROFORMA OF BANK GUARANTEE)

THIS DEED OF GUARANTEE made and executed on the _____ day of _____(month) _____(year), by the _____ (Bank), registered under the Companies Act 1956/Nationalised Bank constituted under the Banking Companies (acquisition and transfer of undertakings) Act/ constituted under the State Bank of India Act / Subsidiary Banks Act, having its registered / head office at _____ (Hereinafter called 'guarantor ' which term shall mean and include its successors and assigns)

IN FAVOUR OF BHARAT HEAVY ELECTRICALS LIMITED

a company registered under the companies Act, 1956 having its registered office at BHEL House at Siri Fort , New Delhi-100 049 and its Electroporcelains Division at Malleswaram, Bangalore-12 (hereinafter referred to as the 'Company' Which term shall include its successors and assigns):

Whereas the company has placed an order on _____ (State the name of the Seller- company / firm and its address) (hereinafter referred to as the 'Supplier' which term shall mean and include its liquidators, successors and assign) for the supply of system under Purchase Order No _____ Dt _____.

AND WHEREAS the supplier has agreed to supply the materials and carryout the works as detailed and in accordance with the terms set out in the said order.

AND WHEREAS the Contract inter-alia provides that the SUPPLIER shall furnish to the Company a sum of Rs..... (Rupees.....) towards security deposit for due and faithful performance of the CONTRACT in the form and manner specified therein.

AND WHEREAS the SUPPLIER has approached the GUARANTOR and in consideration of the arrangement arrived at between the SUPPLIER and the GUARANTOR, the GUARANTOR has agreed to give the Guarantee as hereinafter mentioned in favour of the

COMPANY.

NOW THIS DEED WITNESSES THAT in pursuance of the above said agreement, the guarantor hereby agrees and covenants with company is as follows :-

- 1) That during the period this contract of Guarantee remains effectual, the guarantor shall be liable in respect of the amount due and owing to the company in respect of the payments to the extent of Rs _____ (in words) _____ against any loss or damage caused to or suffered by the company by reasons of any breach of the terms of the said Purchase order by the supplier.
- 2) The Guarantor hereby undertakes to pay the amounts due and payable under this guarantee without any demur, merely on demand from the company intimating that the amount claimed is due by way of loss or damage caused to or suffered or would be caused or suffered by the supplier of any terms contained in the said Purchase order. Any such demand made on the guarantor shall be conclusive as regards the amount due and payable by the Guarantor irrespective of the fact whether the Supplier admits or denies.
- 3) The Guarantor further agrees that the agreement herein contained shall remain in force and effect till all the supplies to be made / Works to be performed / Services to be rendered under the said Purchase order are completed to the entire satisfaction of the company or till company certifies that the terms and conditions of the said order have been fully and properly carried out by the said supplier and accordingly discharges the Guarantee. Unless a demand or claim under this guarantee is made on the guarantor in writing on or before the expiry of claim period indicated in clause 6 below , the guarantor shall be discharged from all the liability under this guarantee thereafter.
- 4) The guarantor further agrees with the company that the company shall have the fullest liberty without the consent of the guarantor and without effecting in any manner the obligations of the guarantor hereunder to vary any of the terms of the said order or extend the time of performance by the said supplier from time to time or refrain from exercising the power exercisable by the company against the said supplier or to forebear or omit to enforce any of the terms and conditions relating to the said order, and the guarantor shall not be relieved of its liability in whole or in part , by reason of any act, commission or forbearance on the part of the company or by reason of any such variation, or extension being granted to the said supplier or by reason of any such matter or thing whatsoever which under the law relating to sureties would but for this provision have effect of so relieving the guarantor.
- 5) The guarantor undertakes not to revoke this guarantee during the period it is in force except with the previous consent of the COMPANY in writing, and agree that any liquidation or winding up or dissolution or any change in the constitution of the

SUPPLIER or the GUARANTOR shall not discharge the GUARANTOR's liability hereunder.

- 6) Notwithstanding anything herein above contained, the liability of the guarantor under these presents is restricted to Rs_____. The guarantee shall be in force till its expiry on _____. Unless a demand is made on the guarantor within THREE months from the date of expiry, all the liability of the guarantor under this guarantee shall stand fully discharged. The decision of the claimant in regard to breach of contract is final and binding on the Bank.

(Seal of the Bank to be affixed)

NOTES: (NOT TO BE TYPED)

1. A minimum of TWO Bank Official Signatories
2. Signatories to sign on all pages of the Bank Guarantee
3. Any correction to be validated by the Banker Signatories
4. One common e-mail ID of issuing branch and e-mail & contact no of at least one issuing official should be provided on PBG forwarding letter.

FOREIGN SUPPLIERS & INDIAN AGENTS OF FOREIGN SUPPLIERS

1. BHEL shall deal directly with foreign vendors, wherever required, for procurement of goods/ services. However, if the foreign Principal desires to avail the services of an Indian Agent, then the foreign Principal should ensure compliance to regulatory guidelines – which require mandatory submission of an Agency Agreement.
2. It shall be incumbent on the Indian Agent and the foreign Principal to adhere to the relevant guidelines of Government of India, issued from time to time.
3. An Indian Agent of foreign Origin Equipment Manufacturer (OEM)/ Principal is an individual, a partnership, an association of persons, a private or public company, that carries out specific obligation(s) towards processing of BHEL tender or finalization or execution of BHEL's contract on behalf of the foreign supplier.
4. The Agency Agreement should specify the precise relationship between the foreign OEM/ Principal and their Indian Agent, and their mutual interest in the business. All services to be rendered by the Agent/ Associate, whether of general nature or in relation to the particular contract, must be clearly stated by the foreign Supplier/ Indian Agent. Any payment which the Agent or Associate receives in India or abroad from the OEM/ Principal, whether as commission or as general retainer fee should be brought on record in the Agreement and be made explicit in order to ensure compliance to laws of the country.
5. Any agency commission to be paid by BHEL to the Indian Agent shall be in Indian currency only.
6. Tax deduction at source is applicable to the agency commission paid to the Indian Agent as per the prevailing rules.
7. In absence of any Agency Agreement, BHEL shall not deal with any Indian Agent (authorized representative/ associate/ consultant, or by whatever name called) and shall deal directly with the foreign OEM/ Principal only for all correspondence and business purposes.
8. In a tender, either the Indian Agent on behalf of the foreign OEM/ Principal or foreign OEM/ Principal itself can bid but both cannot bid simultaneously for the same item/ product in the same tender.
9. If an Agent submits bid on behalf of one OEM/ Principal, the same Agent shall not submit a bid on behalf of another OEM/ Principal in the same tender for the same item/ product.
10. The "Guidelines for Indian Agents of Foreign Suppliers" at Annexure-A shall apply in all such cases.
11. The supply and execution of Purchase Order/ Contract (including indigenous supplies/ services) shall be in the scope of foreign OEM/ Principal. The foreign OEM/ Principal should submit their offer inclusive of all indigenous supplies/ services and

evaluation will be based on the 'Total Cost to BHEL'. In case foreign OEM/ Principal recommends placement of order(s) towards indigenous portion of supplies/ services on Indian supplier(s)/ agent on their behalf, the credentials/ capacity/ capability of the Indian supplier(s)/ agent to make the supplies/ services shall be checked by BHEL as per its extant guidelines of Supplier Evaluation, Approval & Review Procedure (SEARP) before opening of price bids. In this regard, details may be checked as per Annexure-B. It will be responsibility of the foreign OEM/ Principal to get acquainted with the evaluation requirements of Indian supplier/ agent as per SEARP available on www.bhel.com.

The responsibility for successful execution of the contract (including indigenous supplies/ services) lies with the foreign OEM/ Principal. All bank guarantees to this effect shall be in the scope of the foreign OEM/ Principal.

Guidelines for Indian Agents of Foreign Suppliers

1.0 There shall be compulsory registration of agents for all Global (Open) Tenders and Limited Tenders. An agent who is not registered with BHEL shall apply for registration in the registration form in line with SEARP.

1.1 Registered agents will file an authenticated photocopy duly attested by a Notary Public/ Original certificate of the Principal confirming the Agency Agreement and giving the status being enjoyed by the Agent and the commission/ remuneration/ salary/ retainership being paid by the Principal to the Agent before placement of order by BHEL.

1.2 Wherever the Indian representatives have communicated on behalf of their Principals and the foreign parties have stated that they are not paying any commission to the Indian agents, and the Indian representative is working on the basis of salary or as retainer, a written declaration to this effect should be submitted by the party (i.e. Principal) before finalizing the order.

2.0 Disclosure of particulars of agents/ representatives in India (if any)

2.1 Tenderers of Foreign nationality shall furnish the following details in their offers:

2.1.1 The Bidder(s)/ Contractor(s) of foreign origin shall disclose the name and address of the agents/ representatives in India, if any, and the extent of authorization and authority given to commit the Principals. In case the agent/ representative be a foreign Company, it shall be confirmed whether it is existing Company and details of the same shall be furnished.

2.1.2 The amount of commission/ remuneration included in the quoted price(s) for such agents/ representatives in India.

2.1.3 Confirmation of the Tenderer that the commission/ remuneration, if any, payable to his agents/ representatives in India, may be paid by BHEL in Indian Rupees only.

2.2 Tenderers of Indian Nationality shall furnish the following details in their offers:

2.2.1 The Bidder(s)/ Contractor(s) of Indian Nationality shall furnish the name and address of the foreign Principals, if any, indicating their nationality as well as their status, i.e. whether manufacturer or agents of manufacturer holding the Letter of Authority of the Principal specifically authorizing the agent to make an offer in India in response to tender either directly or through the agents/ representatives.

2.2.2 The amount of commission/ remuneration included in the price (s) quoted by the Tenderer for himself.

2.2.3 Confirmation of the foreign principals of the Tenderer that the commission/ remuneration, if any, reserved for the Tenderer in the quoted price(s), may be paid by BHEL in India in equivalent Indian Rupees on satisfactory completion of the Project or supplies of Stores and Spares in case of operation items.

2.3 In either case, in the event of contract materializing, the terms of payment will provide for payment of the commission/ remuneration, if any payable to the agents/ representatives in India in Indian Rupees, on expiry of 90 days after the discharge of the obligations under the contract.

2.4 Failure to furnish correct and detailed information as called for in paragraph 2.0 above will render the concerned tender liable to rejection or in the event of a contract materializing, the same liable to termination by BHEL. Besides this, there would be a penalty of banning business dealings with BHEL or damage or payment of a named sum.


Annexure-B

This format is applicable only to Indian Suppliers/ Agents supplying indigenous portion of Foreign Purchases.

In all other cases, extant guidelines of SEARP, 2010 are to be followed.

SEARP (SRF) Clause No.	Detail
	Name & address of the firm
1.0	Products/ Systems / Services being considered for
2.0	General Information
2.2	Name of Chief Executive
2.3	Details of authorized signatory
3.0	Ownership Information
3.1	Type of Firm
3.2	Nature of Business <i>Attach authorization letter and agency agreement from Principal (from whom capital equipment is procured)</i> <i>Attach copy of declaration from Foreign Principal for total guarantee/ warranty of indigenous supplies</i>
3.3	Year of establishment
3.4	Year of commencement of business
4.0	Registration particulars
4.1	Permanent Account No.
4.2 / 4.3	Sales Tax / TIN No.


4.6	Service Tax No. (in case of Erection & Commissioning)
5.0	Organisational strength
6.0	Other particulars
6.1	If the company is already registered with other BHEL Units
6.2	Directors/ Partners, if related to any BHEL employee
6.9	If any Ex-BHEL personnel employed by the Company
6.12	Details of pending legal issues with BHEL
6.13	Bank Account information
9.0	Financial information
9.6	Sales/ Turnover details of last 3 years (or from the date of incorporation, whichever is less)

	<p align="center">ELECTRO-PORCELAINS DIVISION</p>	<p align="center">GENERAL CONDITIONS OF CONTRACT (GCC) Revision No. R0 (For supply and services)</p>	<p align="center">ANNEXURES Issued on 14.03.2017</p>
---	--	---	--

ANNEXURE-VII

NEFT Application Form

Vendors Name	
Vendor Address	
BANK NAME	
BANK BRANCH	
BANK ADDRESS	
BANK BRANCH CODE	
BANK 9 DIGIT MICR CODE	
BANK NEFT CODE(IFC)	
BANK SWIFT CODE	
BANK PHONE	
ACCOUNT NAME	
ACCOUNT TYPE	
ACCOUNT NO.	
PAN NO.	


	<p align="center">ELECTRO- PORCELAINS DIVISION</p>	<p align="center">GENERAL CONDITIONS OF CONTRACT (GCC)</p> <p align="center">Revision No. R0 (For supply and services)</p>	<p align="center">ANNEXURES</p> <p align="center">Issued on 14.03.2017</p>
---	---	--	---

SERVICE TAX NO.	
TIN NO.	
E-MAIL ID	

Authorised Signatory Seal

Above details are to be submitted on company's letterhead. The details may either be attested by vendor's bankers or accompanied by a cancelled cheque leaf with IFSC code & A/c no. Printed on it.

Undertaking to report immediately any changes in the above to be submitted in company's letterhead.

	<p align="center">ELECTRO- PORCELAINS DIVISION</p>	<p align="center">GENERAL CONDITIONS OF CONTRACT (GCC)</p> <p align="center">Revision No. R0 (For supply and services)</p>	<p align="center">ANNEXURES</p> <p align="center">Issued on 14.03.2017</p>
---	---	---	---

ANNEXURE-VIII

LOADING CRITERIA

No deviations in GCC terms and conditions are generally acceptable, and bids with deviations are liable to be rejected. However, in exceptional circumstances, BHEL may accept deviations with Loading as given below:

A) PAYMENT TERMS

1. Payment will be released within 45 days after receipt of complete documents as per order/ contract.

Loading will be done for vendors seeking earlier payment w.r.t. above, for the value and the period of deviation, as per Clause 17.0 of 'Instructions to Bidders'.

Time periods assumed by BHEL for a few activities are as follows:

Payment through Bank	- 30 days from receipt of invoice + documents.
Received LR	- 30 days from despatch.
Material Receipt Certificate (MRC)	- 120 days from despatch.

However, for Foreign Purchase, CAD at sight and Confirmed LCs are not permitted.


B) BANK GUARANTEE `

Non submission of Bank Guarantee - No deviation is permitted, if applicable as per NIT.

C) LIQUIDATED DAMAGES

If maximum limit asked for is 10% or 5% of Undelivered Portion - 10% value of the total quoted price including taxes, duties & freight.


If maximum limit asked is less than 10 % of contract value loading shall be to the extent to which not agreed by bidder (at offered value) .

 <p>The logo features the BHEL logo on the left, a large '50' in the center, and a gear on the right. Text includes 'BHEL', '50', and 'Makarsan Company'.</p>	ELECTRO-PORCELAINS DIVISION	GENERAL CONDITIONS OF CONTRACT (GCC) Revision No. R0 (For supply and services)	ANNEXURES Issued on 14.03.2017
--	------------------------------------	---	---

D) PRICE VARIATION CLAUSE (PVC)


PVC Instead of Firm Price - Maximum ceiling of PVC as demanded by vendor.

F) NO DEVIATION IS ALLOWED IN RISK PURCHASE/RISK & COST CLAUSE.

	ELECTRO-PORCELAINS DIVISION	GENERAL CONDITIONS OF CONTRACT (GCC) Revision No. R0 (For supply and services)	ANNEXURES Issued on 14.03.2017
---	------------------------------------	---	---

ANNEXURE-X

List of Consortium Banks			
Nationalised Banks		Public Sector Bank	
1	Allahabad bank	20	IDBI
2	Andhra bank		
3	Bank of Baroda	Foreign banks	
4	Canara Bank	21	CITI Bank N.A
5	Corporation bank	22	Deutsche Bank AG
6	Central bank	23	HSBC
7	Indian Bank	24	Standard Chartered Bank
8	Indian Oversea Bank	25	J P Morgan
9	Oriental bank of Commerce		
10	Punjab National Bank		
11	Punjab & Sindh Bank	Private banks	
12	State Bank of India	26	Axis Bank
13	State Bank of Hyderabad	27	The Federal Bank Limited
14	Syndicate Bank	28	HDFC
15	State Bank of Travancore	29	Kotak Mahindra Bank
16	UCO Bank	30	ICICI
17	Union Bank of India	31	Indusind Bank
18	United Bank of India	32	Yes Bank
19	Vijaya Bank		


	<p align="center">ELECTRO- PORCELAINS DIVISION</p>	<p align="center">GENERAL CONDITIONS OF CONTRACT (GCC)</p> <p align="center">Revision No. R0 (For supply and services)</p>	<p align="center">ANNEXURES</p> <p align="center">Issued on 14.03.2017</p>
---	---	--	---

ANNEXURE-XI


Terms & Conditions of Reverse Auction

Against this enquiry for the subject item/ system with detailed scope of supply as per enquiry specifications, BHEL may resort to "REVERSE AUCTION PROCEDURE" i.e., ON LINE BIDDING (THROUGH A SERVICE PROVIDER). The philosophy followed for reverse auction shall be English Reverse (No ties).

- 1 For the proposed reverse auction, technically and commercially acceptable bidders only shall be eligible to participate.
- 2 Those bidders who have given their acceptance for Reverse Auction (quoted against this tender enquiry) will have to necessarily submit „online sealed bid" in the Reverse Auction. Non-submission of „online sealed bid" by the bidder for any of the eligible items for which techno-commercially qualified, will be considered as tampering of the tender process and will invite action by BHEL as per extant guidelines in vogue.
- 3 BHEL will engage the services of a service provider who will provide all necessary training and assistance before commencement of on line bidding on internet.
- 4 In case of reverse auction, BHEL will inform the bidders the details of Service Provider to enable them to contact & get trained.
- 5 Business rules like event date, time, bid decrement, extension etc. also will be communicated through service provider for compliance.
- 6 Bidders have to fax the Compliance form (annexure IV) before start of Reverse auction. Without this, the bidder will not be eligible to participate in the event.
- 7 In line with the NIT terms, BHEL will provide the calculation sheet (e.g., EXCEL sheet) which will help to arrive at "Total Cost to BHEL" like Packing & forwarding charges, Taxes and Duties, Freight charges, Insurance, Service Tax for Services and loading factors (for non-compliance to BHEL standard Commercial terms & conditions) etc. for each of the bidder to enable them to fill-in the price and keep it ready for keying in during the Auction.

	<p align="center">ELECTRO- PORCELAINS DIVISION</p>	<p align="center">GENERAL CONDITIONS OF CONTRACT (GCC)</p> <p align="center">Revision No. R0 (For supply and services)</p>	<p align="center">ANNEXURES</p> <p align="center">Issued on 14.03.2017</p>
---	---	--	---

- 8 Reverse auction will be conducted on scheduled date & time.
- 9 At the end of Reverse Auction event, the lowest bidder value will be known on auction portal.
- 10 The lowest bidder has to fax/e-mail the duly signed and filled-in prescribed format for price breakup including that of line items, if required, (Annexure VII) as provided on case-to-case basis to Service provider within two working days of Auction without fail.
11. In case BHEL decides not to go for Reverse Auction procedure for this tender enquiry, the Price bids and price impacts, if any, already submitted and available with BHEL shall be opened as per BHEL"s standard practice.
12. Bidders shall be required to read the "Terms and Conditions" section of the auctions site of Service provider, using the Login IDs and passwords given to them by the service provider before reverse auction event. Bidders should acquaint themselves of the „Business Rules of Reverse Auction“, which will be communicated before the Reverse Auction.
13. If the Bidder or any of his representatives are found to be involved in Price manipulation/ cartel formation of any kind, directly or indirectly by communicating with other bidders, action *as per extant BHEL guidelines*, shall be initiated by BHEL and the results of the RA scrapped/ aborted.
14. The Bidder shall not divulge either his Bids or any other exclusive details of BHEL to any other party.
15. In case BHEL decides to go for reverse auction, the H1 bidder(s) (whose quote is highest in online sealed bid) may not be allowed to participate in further RA process.
16. Updates:-
 - 16.1 "BHEL reserves the right to go for Reverse Auction (RA) (GUIDELINES as available on www.bhel.com) instead of opening the sealed envelope price bid, submitted by the bidder. This will be decided after techno-commercial evaluation. Bidders to give their acceptance with the offer for participation in RA. Non-acceptance to participate in RA may result in non-consideration of their bids, in case BHEL decides to go for RA.

	<p align="center">ELECTRO- PORCELAINS DIVISION</p>	<p align="center">GENERAL CONDITIONS OF CONTRACT (GCC) Revision No. R0 (For supply and services)</p>	<p align="center">ANNEXURES Issued on 14.03.2017</p>
---	---	--	--


Those bidders who have given their acceptance to participate in Reverse Auction will have to necessarily submit “Process Compliance Form” (to the designated service provider) as well as ‘online sealed bid’ in the Reverse Auction. Non-submission of Process Compliance Form or Online Sealed Bid by the agreed bidders will be considered as tempering of the tender process & will invite action by BHEL as per the extent guidelines for suspension of business dealings with suppliers/contractors (as available on www.bhel.com).

The bidders have to necessarily submit the online sealed bid less than or equal to their envelope sealed price bid already submitted to BHEL along with the offer. The envelope sealed price bid of successful L-1 bidder in RA, if conducted, shall also be opened after RA & the order will be placed on lower of the two bids (RA closing price & envelope sealed price) thus obtained. The bidder having submitted this offer specifically agrees to this condition & undertakes to execute the contract on thus awarded rates.

If it is found that L-1 bidder has quoted higher in online sealed bid in comparison to envelope sealed bid for any item, the bidder will be issued a warning letter to this effect. However, if the same bidder again defaults on this count in any subsequent tender in the unit, it will be consider as fraud & will invite action by BHEL as per the extent guidelines for suspension of business dealings with the suppliers/contractors (as available on www.bhel.com).

As a reminder to bidders, system will flash the following message (in RED color) during the course of ‘online sealed bid’:

“Bidders to submit online sealed bid less than or equal to their envelope sealed bid already submitted to BHEL”

	<p align="center">ELECTRO- PORCELAINS DIVISION</p>	<p align="center">GENERAL CONDITIONS OF CONTRACT (GCC)</p> <p align="center">Revision No. R0 (For supply and services)</p>	<p align="center">ANNEXURES</p> <p align="center">Issued on 14.03.2017</p>
---	---	---	---

ANNEXURE-XII

FORMAT FOR NO DEVIATION CERTIFICATE

(To be submitted in the bidder's letter head)

TO
BHARAT HEAVY ELECTRICALS LIMITED,
Electroporcelains Division
Prof. CNR Rao Circle,
Malleshwaram Bangalore - 560012

Sub :	No deviation certificate
Job :	----
Ref :	Your enquiry No -
	All the pertinent issues till date.

Dear Sirs,

With reference to above, this is to confirm that we have not changed/ modified the tender documents as appeared in the website/ issued by you and in case of such observance at any stage, it shall be treated as null and void.

We hereby confirm that we have not taken any deviation from tender clauses together with other references as enumerated in the above referred NIT. We hereby confirm our unqualified acceptance to all terms & conditions, unqualified compliance to technical specification, integrity pact (if applicable) and acceptance to reverse auctioning process.


In the event of observance of any deviation in any part of our offer at a later date whether implicit or explicit, the deviations shall stand null & void.

We confirm to have submitted offer in accordance with tender instructions and as per aforesaid references.

Thanking you,

Yours faithfully,

(Signature, date & seal of authorized representative of the bidder)

	<p align="center">ELECTRO- PORCELAINS DIVISION</p>	<p align="center">GENERAL CONDITIONS OF CONTRACT (GCC) Revision No. R0 (For supply and services)</p>	<p align="center">ANNEXURES Issued on 14.03.2017</p>
---	---	--	--

ANNEXURE-XIII

DECLARATION BY AUTHORISED SIGNATORY OF BIDDER

(To be typed and submitted in the Letter Head of the Company/Firm of Bidder)

To,

(Write Name & Address of Officer of BHEL inviting the Tender)

Dear Sir,

Sub : Declaration by Authorised Signatory

Ref : 1) NIT/Tender Specification No:

2) All other pertinent issues till date

I /We, hereby certify that all the information and data furnished by me with regard to the above Tender Specification are true and complete to the best of my knowledge. I have gone through the specifications, conditions, stipulations and all other pertinent issues till date, and agree to comply with the requirements and Intent of the specification.


I further certify that I am authorised to represent on behalf of my Company/Firm for the above mentioned tender and a valid Power of Attorney to this effect is also enclosed.

Yours faithfully,

(Signature, Date & Seal of Authorized
Signatory of the Bidder)

Date:

Enclosed : Power of Attorney

	<p align="center">ELECTRO- PORCELAINS DIVISION</p>	<p align="center">GENERAL CONDITIONS OF CONTRACT (GCC) Revision No. R0 (For supply and services)</p>	<p align="center">ANNEXURES Issued on 14.03.2017</p>
---	---	--	--

ANNEXURE-XIV

POWER OF ATTORNEY for SUBMISSION OF TENDER/SIGNING CONTRACT
AGREEMENT

**(To be typed on non judicial Stamp Papers of appropriate value as applicable and
Notarised)**

KNOW ALL MEN BY THESE PRESENTS, that I/We do hereby make, nominate, constitute and appoint Mr , whose signature given below herewith to be true and lawful Attorney of M/s_____ hereinafter called 'Company', for submitting Tender/entering into Contract and inter alia, sign, execute all papers and to do necessary lawful acts on behalf of Company with M/s Bharat Heavy Electricals Ltd, Electroporcelains Division, Bangalore in connection with vide Tender Specification No _____ dated _____

And the Company do hereby agree to ratify and confirm all acts, deeds, things or proceedings as may be lawfully done by the said attorney and by or on behalf of the company and in the name of the company, by virtue of the powers conferred herein and the same shall be binding on the company and shall have full force and effect.


IN WITNESS WHEREOF the common seal of the company has been hereunto affixed in the manner hereinafter appearing on the document.

Dated at _____ , this _____ day of _____

Director/CMD/Partner/Proprietor

Signature of Mr (Attorney)

Attested by:
Director/CMD/Partner/Proprietor
Witness

	<p align="center">ELECTRO- PORCELAINS DIVISION</p>	<p align="center">GENERAL CONDITIONS OF CONTRACT (GCC)</p> <p align="center">Revision No. R0 (For supply and services)</p>	<p align="center">ANNEXURES</p> <p align="center">Issued on 14.03.2017</p>
---	---	---	---

Notary Public

ANNEXURE-XVI

INDEMNITY BOND

(To be executed on a Non Judicial Stamp Paper of the requisite value as per Stamp Duty prevalent in the respective State)


This Indemnity Bond executed by <name of company> having their Registered Office at <xxxxxxxxxxx> in favour of M/s Bharat Heavy Electricals Limited, a Company incorporated under the Companies Act, 1956, having its Registered Office at BHEL House, Siri Fort, Asiad, New Delhi - 110049 through its Unit at Electroporcelains Division, Bangalore (Hereinafter referred to as the Company).

And whereas the Company has entered into a Contract with M/s xxxxxxxxx, the executants of this Deed (hereinafter referred to as the Contractor) as its contractor in respect of the work of "xxxxxxxxxxxxxxxxxxxxxxxxxxxxxx".

AND WHEREAS under the provisions of GCC further stipulates that the Contractor shall indemnify the Company against all claims of whatever nature arising during the course of execution of Contract including defects liability period of <xx Months > i.e till <xx xx xxxx>

Now this deed witness that in case the Company is made liable by any Authority including Court to pay any claim or compensation etc. in respect of all labourers or other matters at any stage under or relating to the Contract with the Contractor, the Contractor hereby covenants and agrees with the Company that they shall indemnify and reimburse the Company to the extent of such payments and for any fee, including litigation charges, lawyers' fees, etc, penalty or damages claimed against the Company by reason of the Contractor falling to comply with Central/States Laws, Rules etc, or his failure to comply with Contract (including all expenses and charges incurred by the Company).

The Contractor further indemnifies the Company for the amount which the Company may be liable to pay by way of penalty for not making deductions from the Bills of the Contractor towards such amount and depositing the same in the Government Treasury.

	<p align="center">ELECTRO- PORCELAINS DIVISION</p>	<p align="center">GENERAL CONDITIONS OF CONTRACT (GCC)</p> <p align="center">Revision No. R0 (For supply and services)</p>	<p align="center">ANNEXURES</p> <p align="center">Issued on 14.03.2017</p>
---	---	--	---

The Contractor further agree that the Company shall be entitled to with hold and adjust the Security Deposit and/or with hold and adjust payment of Bills of Contractor pertaining to this Contract against any payment which the Company has made or is required to make for which the Contractor is liable under the Contract and that such amount can be withheld, adjusted by the Company till satisfactory and final settlement of all pending matters and the Contractor hereby gives his consent for the same.

The Contractor further agrees that the terms of indemnity shall survive the termination or completion of this contract.

The contractor further agrees that the liability of the contractor shall be extended on actual basis notwithstanding the limitations of liability clause, in respect of:


1. breach of terms of contract by the contractor
2. breach of laws by the contractor
3. breach of Intellectual property rights by the contractor
4. breach of confidentiality by the contractor

Nothing contained in this deed, shall be construed as absolving or limiting the liability of the Contractor under said Contract between the Company and the Contractor. That this Indemnity Bond is irrevocable and the condition of the bond is that the Contractor shall duly and punctually comply with the terms and the conditions of this deed and contractual provisions to the satisfaction of the Company.

In witness where of M/s xxxxxxxxxxxxxx these presents on the day, month and year first, above written at xxxxxxxx by the hand of its signatory Mr. xxxxxxxxxxxxxx.

Signed for and on behalf of
M/s
xxxxxxxxxxxxxxxxxxx

Witness:

	<p align="center">ELECTRO- PORCELAINS DIVISION</p>	<p align="center">GENERAL CONDITIONS OF CONTRACT (GCC)</p> <p align="center">Revision No. R0 (For supply and services)</p>	<p align="center">ANNEXURES</p> <p align="center">Issued on 14.03.2017</p>
---	---	---	---

ANNEXURE-XVII

Annexure- A


CONSORTIUM AGREEMENT

(To be executed on Rs. 50/- Non - Judicial Stamp Paper)

THIS AGREEMENT is made and executed on ____ day of _____ by and between (1) M/s. _____, represented by Shri _____, designated as _____, having its registered office at _____, (The First Party, i.e, the Bidder) Company incorporated under the Company's Act 1956 having its registered office at _____ (hereinafter referred to as the "Bidder" which expression shall include its successors, administrators, executors and permitted assigns) and (2) M/s. _____, (The Second Party, i.e, the associates), a company incorporated under _____(Company act), having its registered office at _____ (hereinafter called the "Associates", which expression shall include its successors, administrators, executors and permitted assigns).

WHEREAS, the Electroporcelains Division, one of the Units of M/s. Bharat Heavy Electricals, having its office at Prof. CNR Rao Circle, Opp. Indian Institute of Science, Malleswaram, Bangalore-560 012, A Government of India Undertaking (hereinafter called the "Employer", " which expression shall include its successors, administrators, executors and permitted assigns), proposes to issue / issued a Notice Inviting Tender (hereinafter referred to as NIT), inviting bids from the individual bidders for undertaking the work of " _____(Package name) for _____(Project name) at _____(site location) (hereinafter referred to as the "Project") being set up by M/s. _____ (hereinafter referred to as the " Owner").

AND WHEREAS, the said NIT enables submission of a bid by a Party subject to fulfilment of the stipulations pre-qualification criteria specified in the said NIT.

	<p align="center">ELECTRO- PORCELAINS DIVISION</p>	<p align="center">GENERAL CONDITIONS OF CONTRACT (GCC)</p> <p align="center">Revision No. R0 (For supply and services)</p>	<p align="center">ANNEXURES</p> <p align="center">Issued on 14.03.2017</p>
---	---	--	---

AND WHEREAS, the Bidder desirous of submitting bid in response to the said NIT for the said Project, and by itself is not meeting all the qualifying the Pre-qualification Criteria specified in the said NIT and in order to fully meet the qualifying requirements of NIT, the Bidder entered into this Consortium Agreement with the Associates.


AND WHEREAS the Bidder and the Associates are contractors engaged in the business of carrying out various items of works. WHEREAS, the two parties have agreed to and constitute themselves into a consortium for the purpose of carrying out the said works relating to this Project, and that the consortium will be continued till the completion of the works in all respects including the performance guarantee period as may be specified in the NIT or Purchase Order/Work Order.

AND WHEREAS, with this consortium Agreement, the Bidder and Associates together meets all the pre-qualification criteria as mentioned in the NIT.


WHEREAS, the parties have agreed to certain terms and conditions which forms a part of this consortium agreement, as mentioned hereinbelow :

NOW therefore, this agreement witnesseth as follows :

1. The Bidder and Associates hereby constitute themselves into a Consortium for the purpose of submitting a Bid and undertaking the said works pursuant to the said NIT as hereinafter stated.
2. The Bidder will be the leader (Lead Partner) and will be responsible for the execution of the entire scope of works and its complete functioning as stated in the NIT.
3. The Bidder shall undertake the entire scope of work as detailed in the NIT jointly with the Associates.
4. The Associates shall undertake their part of work as detailed in the NIT jointly with the Bidder.
5. The Bidder and the Associates hereby declare and confirm that each of them jointly and severally will fulfil the required minimum qualifying requirements as prescribed in the said NIT for the works agreed to be undertaken by them as stated herein above.

	<p align="center">ELECTRO- PORCELAINS DIVISION</p>	<p align="center">GENERAL CONDITIONS OF CONTRACT (GCC)</p> <p align="center">Revision No. R0 (For supply and services)</p>	<p align="center">ANNEXURES</p> <p align="center">Issued on 14.03.2017</p>
---	---	--	---

6. The Bidder and the Associates also hereby agree that both of them shall be jointly and severally responsible for the completion of the said works as per the schedule. Further, if the Employer and or the Owner sustains any loss or damage on account of non-performance or any breach of contract, both the Bidder and Associates, as a consortium partners, individually and severally undertake to compensate and pay such losses / damages so caused to the Employer and or the Owner on its written demand without any demur, reservation, contest or protest in any manner whatsoever.
7. AND WHEREAS, the Bidder and the Associates, do hereby undertakes to indemnify both the Employer and the Owner to make good any losses/damages sustained by them due to the negligence or any acts of Bidder and or the Associates which results in loss / damages to the Employer / Owner.
8. AND WHEREAS Bidder and the Associates hereby agree that in case of any dispute arising in and out of this consortium agreement shall be dealt in accordance with the provisions of Indian Arbitration and Conciliation Act, 1996 and the place of Arbitration will be at India and the language of Arbitration will be English.
9. AND WHEREAS both the Bidder and the Associates hereby agree and undertake that they shall provide adequate finances, suitable Tools, Plants, equipments, tranctors, trailers, other transportation equipment, other Tools and Plants, Measuring and Monitoring Equipments (MMEs), Men and Machinery etc., for the proper and effective execution of the works to be undertaken by them as specified herein above.
10. AND WHEREAS, it was agreed to interse, between the parties hereto that all the consequential liabilities ec., arising out of any default in the due execution of the said works shall be borne by the consortium leader and or party in default, that is by party in whose area of works default has occurred, provided however, so far as the Employer is concerned, both The bidder and the Associates shall be jointly and severally liable irrespective of their scope of work.

	<p align="center">ELECTRO- PORCELAINS DIVISION</p>	<p align="center">GENERAL CONDITIONS OF CONTRACT (GCC)</p> <p align="center">Revision No. R0 (For supply and services)</p>	<p align="center">ANNEXURES</p> <p align="center">Issued on 14.03.2017</p>
---	---	--	---

IN WITNESS WHEREOF, the parties above named have signed this agreement on the day month and year first above written at Faridabad.

For and on Behalf of The Bidder

AUTHORISED SIGNATORY ::

OFFICIAL ADDRESS :

COMPANY SEAL

WITNESSES :

1.

2.

For and on Behalf of the Associates

AUTHORISED SIGNATORY ::


OFFICIAL ADDRESS :

COMPANY SEAL

WITNESSES :

1

2


	<p align="center">ELECTRO- PORCELAINS DIVISION</p>	<p align="center">GENERAL CONDITIONS OF CONTRACT (GCC)</p> <p align="center">Revision No. R0 (For supply and services)</p>	<p align="center">ANNEXURES</p> <p align="center">Issued on 14.03.2017</p>
---	---	---	---

ANNEXURE XVIII

Vendor Particulars & Logistics Information

Vendor's particulars & logistics information (Bidder to give details against each of the provisions)

1. Name of the vendor's executive to deal with this tender / project:-
2. E-mail address of the contact person
3. Telephone no. of the contact person
4. Name of location from where the goods shall be offered for inspection and dispatch
5. Additional logistics information for Imports
6. Bid currency
7. Name of the load port where the goods are offered for Delivery on FOB terms
8. Name of Airport in the country of dispatch for FCA delivery terms
9. Additional freight over FOB price, for delivery on CFR named port in the country of destination, if the Seller decides to bid on CFR / CIF / CPT basis

	<p align="center">ELECTRO- PORCELAINS DIVISION</p>	<p align="center">GENERAL CONDITIONS OF CONTRACT (GCC)</p> <p align="center">Revision No. R0 (For supply and services)</p>	<p align="center">ANNEXURES</p> <p align="center">Issued on 14.03.2017</p>
---	---	--	---


10. Numbers, Type & size of containers estimated for delivery of Tendered quantity (Applicable where the goods are to be sent in containers)

11. No. of Packages with cumulative gross weight and CBM volume (Applicable for break-bulk shipment)

12. Additional FOB cost for loading the cargo on-board in case of EX-Works or FAS delivery terms

13. Approx. distance in km. from Vendor's works to Port of loading
 - a Sea port

 - b Air port

	<p align="center">ELECTRO- PORCELAINS DIVISION</p>	<p align="center">GENERAL CONDITIONS OF CONTRACT (GCC)</p> <p align="center">Revision No. R0 (For supply and services)</p>	<p align="center">ANNEXURES</p> <p align="center">Issued on 14.03.2017</p>
---	---	---	---

ANNEXURE XIX

NON DISCLOSURE AGREEMENT

I, _____, on behalf of the _____ (Name of Company), acknowledge that the information received or generated, directly or indirectly, while working with BHEL, EPD on contract is confidential and that the nature of the business of the BHEL, EPD is such that the following conditions are reasonable, and therefore:

I warrant and agree as follows:

I, or any other personnel employed or engaged by our company, agree not to disclose, directly or indirectly, any information related to the BHEL, EPD Without restricting the generality of the foregoing, it is agreed that we will not disclose such information consisting but not necessarily limited to:

- Technical information: Methods, drawings, processes, formulae, compositions, systems, techniques, inventions, computer programs/data/configuration and research projects.
- Business information: Customer lists, project schedules, pricing data, estimates, financial or marketing data,

On conclusion of contract, I, or any other personnel employed or engaged by our company shall return to BHEL, EPD all documents and property of BHEL, EPD, including: drawings, blueprints, reports, manuals, computer programs/data/configuration, and all other materials and all copies thereof relating in any way to BHEL, EPD's business, or in any way obtained by me during the course of contract. I further agree that I, or any others employed or engaged by our company shall not retain copies, notes or abstracts of the foregoing.

This obligation of confidence shall continue after the conclusion of the contract also.

I acknowledge that the aforesaid restrictions are necessary and fundamental to the business of the BHEL, EPD and are reasonable given the nature of the business carried on by the BHEL, EPD I agree that this agreement shall be governed by and construed in accordance with the laws of country.


I enter into this agreement totally voluntarily, with full knowledge of its meaning, and without duress.

Place:- _____

Date:- _____

Name

Company

 <p>The logo features the BHEL logo on the left, a large '50' in the center, and a gear icon on the right. Text includes 'BHEL', '50', and 'Makarsana Company'.</p>	<p>ELECTRO- PORCELAINS DIVISION</p>	<p>GENERAL CONDITIONS OF CONTRACT (GCC) Revision No. R0 (For supply and services)</p>	<p>ANNEXURES Issued on 14.03.2017</p>
--	--	---	---

Signature

ANNEXURE-I

(To be filled up by the Bidder)

Ref. No.:

Date :

M/s Bharat Heavy Electricals Ltd.,
Electroporcelains Division
Prof. CNR Rao Circle
Malleshwaram
Bangalore - 560012

Attention : Shri

Dear Sir,

1 Having examined the tender documents against your tender Enquiry No _____ dated _____ and having understood the provisions of the said tender documents and having thoroughly studied the requirements of BHEL related to the work tendered for, in connection with _____ (name of work & project site), we hereby submit our offer for the proposed work in accordance with terms and conditions mentioned in the tender documents, at the prices quoted by us in your price schedule format and as per the indicated delivery schedule.

2. If the work or any part thereof is awarded to us, we undertake to submit security-cumcontract performance bank guarantee as per your requirement.

3. We have annexed to this tender the following documents:-

Part-I (Techno Commercial Bid) - in a properly sealed cover (uploaded in website in case of e-procurement).

- a) Complete Techno-Commercial Offer.
- b) Un-priced copy of deviation sheet (cost of withdrawal) - Annexure-II
- c) Un-priced copy of Price Schedule using format given by BHEL.
- d) Any other documents (please specify).

Part-II (Price Bid along with Priced Annexure-II) - in a separate, properly sealed cover, in the format given by BHEL (uploaded in website in case of e-procurement).

Thanking you,

Yours faithfully,

(Signature of the bidder with Name, Designation and Company's Seal)

Tender Description: (To be filled by the vendor):

Tender Ref: (To be filled by the vendor).....

NAME OF VENDOR:-

SL NO	VOULME/ SECTION	PAGE NO.	CLAUSE NO.	TECHNICAL SPECIFICATION/ TENDER DOCUMENT	COMPLETE DESCRIPTION OF DEVIATION	COST OF WITHDRAWAL OF DEVIATION	PORTION OF PRICE SCHEDULE ON WHICH COST OF WITHDRAWAL OF DEVIATION IS APPLICABLE	NATURE OF COST OF WITHDRAWAL OF DEVIATION (POSITIVE/ NEGATIVE)	REASON FOR QUOTING DEVIATION	REMARKS
-------	-----------------	----------	------------	--	-----------------------------------	---------------------------------	--	--	------------------------------	---------

TECHNICAL DEVIATIONS (Fill "NIL" in case of no deviation)

COMMERCIAL DEVIATIONS (Fill "NIL" in case of no deviation)

PARTICULARS OF BIDDERS/ AUTHORISED REPRESENTATIVE

NAME	DESIGNATIONS	SIGN & DATE

NOTES:

- For self manufactured items of bidder, cost of withdrawal of deviation will be applicable on the basic price (i.e. excluding taxes, duties & freight) only.
- For directly dispatchable items, cost of withdrawal of deviation will be applicable on the FOR site price including taxes, duties & freight.
- All the bidders have to list out all their Technical & Commercial Deviations in detail in the above format only on cost basis (if any). Cost of withdrawal for the deviations, for which, the "Cost of withdrawal" is not specified, shall be taken as NIL.
- Any deviation not mentioned above and shown separately will not be taken cognizance of.
- Bidder shall submit duly filled unpriced copy of above format indicating "quoted" in "cost of withdrawal of deviation" column of the schedule above along with their Techno-commercial offer, wherever applicable.
- Bidder shall furnish price copy of above format along with price bid.
- The final decision of acceptance/ rejection of the deviations quoted by the bidder shall be at discretion of the Purchaser.
- Bidders to note that any deviation (technical/commercial) not listed in above and asked after Part-I opening shall not be considered.
- For deviations w.r.t. Payment terms, Liquidated damages, Firm prices and submission of E1/ E2 forms before claiming 10% payment, if a bidder chooses not to give any cost of withdrawal of deviation loading as per Annexure-VIII of GCC, Rev-06 will apply. For any other deviation mentioned in un-priced copy of this format submitted with Part-I bid but not mentioned in priced copy of this format submitted with Priced bid, the cost of withdrawal of deviation shall be taken as NIL.
- Any deviation mentioned in priced copy of this format, but not mentioned in the un-priced copy, shall not at all be accepted.
- All techno-commercial terms and conditions of NIT shall be deemed to have been accepted by the bidder, other than those listed in unpriced copy of this format.
- Cost of withdrawal is to be given separately for each deviation. In no event, bidder should club cost of withdrawal of more than one deviation else cost of withdrawal of each deviation which have been clubbed together shall be considered as NIL.
- In case nature of cost of withdrawal (positive/negative) is not specified, it shall be assumed as positive.
- In case of discrepancy in the nature of impact (positive/negative), positive will be considered for evaluation and negative for ordering.

Tender Description: (To be filled by the vendor):

Tender Ref: (To be filled by the vendor).....

NAME OF VENDOR:-

SL NO	VOULME/ SECTION	PAGE NO.	CLAUSE NO.	TECHNICAL SPECIFICATION/ TENDER DOCUMENT	COMPLETE DESCRIPTION OF DEVIATION	COST OF WITHDRAWL OF DEVIATION	PORTION OF PRICE SCHEDULE ON WHICH COST OF WITHDRAWL OF DEVIATION IS APPLICABLE	NATURE OF COST OF WITHDRAWL OF DEVIATION (POSITIVE/ NEGATIVE)	REASON FOR QUOTING DEVIATION	REMARKS
-------	-----------------	----------	------------	--	-----------------------------------	--------------------------------	---	---	------------------------------	---------

TECHNICAL DEVIATIONS (Fill "NIL" in case of no deviation)

COMMERCIAL DEVIATIONS (Fill "NIL" in case of no deviation)

PARTICULARS OF BIDDERS/ AUTHORISED REPRESENTATIVE

NAME	DESIGNATIONS	SIGN & DATE

NOTES:

- For self manufactured items of bidder, cost of withdrawal of deviation will be applicable on the basic price (i.e. excluding taxes, duties & freight) only.
- For directly dispatchable items, cost of withdrawal of deviation will be applicable on the FOR site price including taxes, duties & freight.
- All the bidders have to list out all their Technical & Commercial Deviations in detail in the above format only on cost basis (if any). Cost of withdrawal for the deviations, for which, the "Cost of withdrawal" is not specified, shall be taken as NIL.
- Any deviation not mentioned above and shown separately will not be taken cognizance of.
- Bidder shall submit duly filled unpriced copy of above format indicating "quoted" in "cost of withdrawal of deviation" column of the schedule above along with their Techno-commercial offer, wherever applicable.
- Bidder shall furnish price copy of above format along with price bid.
- The final decision of acceptance/ rejection of the deviations quoted by the bidder shall be at discretion of the Purchaser.
- Bidders to note that any deviation (technical/commercial) not listed in above and asked after Part-I opening shall not be considered.
- For deviations w.r.t. Payment terms, Liquidated damages, Firm prices and submission of E1/ E2 forms before claiming 10% payment, if a bidder chooses not to give any cost of withdrawal of deviation loading as per Annexure-VIII of GCC, Rev-06 will apply. For any other deviation mentioned in un-priced copy of this format submitted with Part-I bid but not mentioned in priced copy of this format submitted with Priced bid, the cost of withdrawal of deviation shall be taken as NIL.
- Any deviation mentioned in priced copy of this format, but not mentioned in the un-priced copy, shall not at all be accepted.
- All techno-commercial terms and conditions of NIT shall be deemed to have been accepted by the bidder, other than those listed in unpriced copy of this format.
- Cost of withdrawal is to be given separately for each deviation. In no event, bidder should club cost of withdrawal of more than one deviation else cost of withdrawal of each deviation which have been clubbed together shall be considered as NIL.
- In case nature of cost of withdrawal (positive/negative) is not specified, it shall be assumed as positive.
- In case of discrepancy in the nature of impact (positive/negative), positive will be considered for evaluation and negative for ordering.

ANNEXURE - III

DECLARATION

It is hereby declared that the original/ revised* price bid for _____

_____ (Name of Package) for _____ project is complete in all respects and contains prices for complete scope of supply, including tests etc., as per BHEL's requirement. If in the original/ revised* price bids where itemized price is not available for any part of scope of supply, including tests etc. for completion of the package, the same should be treated to have been included in our original/ revised* price bid.

It is also agreed that no further chance for seeking clarification/ confirmation to any missing point will be necessary.

Absence of itemized prices against some items does not mean that they are not included. Even though itemized prices are given for major items, those items which are not specially shown, are also included to meet the entire system as per BHEL requirements.

Signature of authorized Representative Name
and Designation:

Name & Address of the Bidder

Date

Forwarded to:

BHARAT HEAVY ELECTRICALS LTD


Electroporcelains Division

Prof. CNR Rao Circle

Malleswaram

Bangalore - 560012

* (Please delete whichever is not applicable)

	<p align="center">ELECTRO- PORCELAINS DIVISION</p>	<p align="center">GENERAL CONDITIONS OF CONTRACT (GCC) Revision No. R0 (For supply and services)</p>	<p align="center">ANNEXURES Issued on 14.03.2017</p>
---	---	--	--

ANNEXURE-XII

FORMAT FOR NO DEVIATION CERTIFICATE

(To be submitted in the bidder's letter head)

TO
BHARAT HEAVY ELECTRICALS LIMITED,
Electroporcelains Division
Prof. CNR Rao Circle,
Malleshwaram Bangalore - 560012

Sub :	No deviation certificate
Job :	----
Ref :	Your enquiry No -
	All the pertinent issues till date.

Dear Sirs,

With reference to above, this is to confirm that we have not changed/ modified the tender documents as appeared in the website/ issued by you and in case of such observance at any stage, it shall be treated as null and void.

We hereby confirm that we have not taken any deviation from tender clauses together with other references as enumerated in the above referred NIT. We hereby confirm our unqualified acceptance to all terms & conditions, unqualified compliance to technical specification, integrity pact (if applicable) and acceptance to reverse auctioning process.

In the event of observance of any deviation in any part of our offer at a later date whether implicit or explicit, the deviations shall stand null & void.

We confirm to have submitted offer in accordance with tender instructions and as per aforesaid references.

Thanking you,

Yours faithfully,

(Signature, date & seal of authorized representative of the bidder)

ಭಾರತ್ ಹವಿ ಎಲೆಕ್ಟ್ರಿಕಲ್ಸ್ ಲಿಮಿಟೆಡ್

ಭಾರತ ಹವಿ ಇಲೆಕ್ಟ್ರಿಕಲ್ಸ್ ಲಿಮಿಟೆಡ್

Bharat Heavy Electricals Limited

SOLAR BUSINESS DIVISION

MALLESHWARAM, BANGALORE- 560012

Dept: NEW PRODUCTS

Phone: 080-2218 2440

Doc Ref: Annexure: ARC/26-27/NP/1601/01

Tentative ARC Qty:

Annual Rate contract Qty for EDN Metal Parts				
Sl No.	Final Product Drawing	Metal parts Material code of ARC	Item Description	ARC Quantity (Nos)
1	39876000300	EL9600321000	Ni.PLATED BRASS INS INSERTS 39876000321	14000
2	39876000200	EL9600222002	Ni.PLATED BRASS INS INSERTS 39876000221	1200
3	39876000200	EL9600221006	Ni.PLATED BRASS INS INSERTS 39876000222	1200
4	39876000100	EL9600121001	Ni.PLATED BRASS INS INSERTS 39876000121	18000
5	49876000700, 49876001100	EL1070004219	M8 STEEL STUD 4 987 60 00421 LOCO &ACEMU	13000
6	49876000700, 49876001100, 49876000800	EL1070004227	M8 STEEL INSERT 4 987 60 00422 ACEMU	14000
7	49876000800	EL1070004235	M8 STEEL STUD 4 987 60 00423 ACEMU	700
8	49876001300, 49876001000	EL1070004278	M10STEEL INSERT49876000427TRACTION&ACEMU	6500
9	49876000900	EL1070004243	M8 steel insert for 32 dia ACEMU (M-F & F-F) 4 987 60 00424	600

Scope of supply:

1. Manufacturing and supply of Metal Parts for Insulator as per our drawings (drawing No: 3 986 60 00121, 3 986 60 00221, 3 986 60 00222, 3 986 60 00321, 4 986 60 00421, 4 986 60 00422, 4 986 60 00423, 4 986 60 00427 & 4 987 60 00424).
2. Vendor has to supply Nickel Plated Brass Inserts in bubble padded packets.
3. Bidders may visit BHEL premises or consult BHEL-New Products department for understanding the scope of work in detail.

ಭಾರತ್ ಹವಿ ಎಲೆಕ್ಟ್ರಿಕಲ್ಸ್ ಲಿಮಿಟೆಡ್

ಭಾರತ ಹವಿ ಇಲೆಕ್ಟ್ರಿಕಲ್ಸ್ ಲಿಮಿಟೆಡ್

Bharat Heavy Electricals Limited



SOLAR BUSINESS DIVISION

MALLESHWARAM, BANGALORE- 560012

Dept: NEW PRODUCTS

Phone: 080-2218 2440

Doc Ref: Annexure: ARC/26-27/NP/1601/01

Special Terms and Conditions:

1. Product should meet BHEL-SBD Quality parameter as per QAP (QP NO: EPD/QP/NP/2021-22/0001 & QP NO: EPD/QP/NP/2021-22/0002, Latest Revision).
2. Manufacturing process should conform to the Drawing & QAP Condition. (Latest Revision)
3. Vendor to take special care while transporting the products including necessary packing as per requirement to avoid damages to the product.
4. BHEL reserves the right to carry out in-process / final inspection to check the important parameters – Threading, Knurling & Nickle Plating. Material will be rejected if BHEL finds deviations with respect to specifications. In-case material is rejected.
5. In case of conflict between Drawing and QAP the following order will be followed for resolution – 1st Preference Drawing followed by QAP.
6. BHEL reserves the right to assess the facility and capability of bidder or its sub-contractors in line with the manufacturing process of the bidder. BHEL can reject the offer of bidder if bidder is not found capable for manufacturing of Metal parts. Bidder to submit supporting documents in the form of Company License/registration Certificate, MSME/UDYAM as proof of establishment of manufacturing facility.
7. BHEL may revise (minor change) and issue the Drawing & QAP at any point of contract time. Vendor has to supply as per latest revision of Drawing, TDC & QAP.

**MODEL CONCILIATION CLAUSE FOR CONDUCTING CONCILIATION
PROCEEDINGS UNDER THE BHEL CONCILIATION SCHEME, 2018**

The Parties agree that if at any time (whether before, during or after the arbitral or judicial proceedings), any Disputes (which term shall mean and include any dispute, difference, question or disagreement arising in connection with construction, meaning, operation, effect, interpretation or breach of the agreement, contract or the Memorandum of Understanding (delete whichever is inapplicable), which the Parties are unable to settle mutually), arise inter-se the Parties, the same may, be referred by either party to Conciliation to be conducted through Independent Experts Committee to be appointed by competent authority of BHEL from the BHEL Panel of Conciliators.

Notes:

1. No serving or a retired employee of BHEL/Administrative Ministry of BHEL shall be included in the BHEL Panel of Conciliators.
2. Any other person(s) can be appointed as Conciliator(s) who is/are mutually agreeable to both the parties from outside the BHEL Panel of Conciliators.

The proceedings of Conciliation shall broadly be governed by Part-III of the Arbitration and Conciliation Act 1996 or any statutory modification thereof and as provided in Annexure--**'A'**-- to this GCC/Agreement/Contract/MoU etc. (strike off whichever is inapplicable).

The Annexure **'A'**-- together with it's Formats will be treated as if the same is part and parcel hereof and shall be as effectual as if set out herein in this GCC/Agreement/Contract/MoU etc., (strike off whichever is inapplicable).

The Purchaser/Contractor/Seller etc. (insert the description of the other party to the Agreement/Contract/MoU etc., - whichever is applicable) agrees that the Purchaser/Contractor/Seller etc. (insert the description of BHEL - whichever is applicable) may make any amendments or modifications to the provisions stipulated in the Annexure --**'A'**--to this GCC/Agreement/Contract/MoU etc., (strike off whichever is inapplicable) from time to time and confirms that it shall be bound by such amended or modified provisions of the Annexure --**'A'**--with effect from the date as intimated by BHEL to it.

**ANNEXURE TO MODEL CONCILIATION CLAUSE FOR CONDUCT OF
CONCILIATION UNDER THE BHEL CONCILIATION SCHEME, 2018**

BRIEF PROCEDURE FOR CONDUCT OF CONCILIATION PROCEEDINGS

- 1.** The proceedings of Conciliation shall broadly be governed by Part-III of the Arbitration and Conciliation Act 1996 or any statutory modification thereof and as provided herein:
- 2.** The party desirous of resorting to Conciliation shall send an invitation/notice in writing to the other party to conciliate specifying all points of Disputes with details of the amount claimed. The party concerned shall not raise any new issue thereafter. Parties shall also not claim any interest on claims/counter-claims from the date of notice invoking Conciliation till the conclusion of the Conciliation proceedings. If BHEL is to initiate Conciliation, then, the invitation to Conciliate shall be extended to the concerned Stakeholder in **Format 7** hereto. Where the stakeholder is to initiate the Conciliation, the notice for initiation of Conciliation shall be sent in **Format-8** hereto.
- 3.** The party receiving the invitation/notice for Conciliation shall within 30 days of receipt of the notice of Conciliation intimate its consent for Conciliation along with its counter-claims, if any.
- 4.** The Conciliation in a matter involving claim or counter-claim (whichever is higher) up to Rs 5 crores shall be carried out by sole Conciliator nominated by BHEL while in a matter involving claim or counter-claim (whichever is higher) of more than Rs 5 crores Conciliation shall be carried out by 3 Conciliators nominated by BHEL. The appointment of Conciliator(s) shall be completed and communicated by the concerned Department/Group of BHEL Unit/Division/Region/Business Group to the other party and the Conciliator(s) within 30 days from the date of acceptance of the invitation to conciliate by the concerned party in the **Format-9**. The details of the Claim, and counter-claim, if any, shall be intimated to the Conciliator(s) simultaneously in **Format-5**.
- 5.** The Parties shall be represented by only their duly authorized in-house executives/officers and neither Party shall be represented by a Lawyer.
- 6.** The first meeting of the IEC shall be convened by the IEC by sending appropriate communication/notice to both the parties as soon as possible but not later than 30 days from the date of his/their appointment. The hearings in the Conciliation proceeding shall ordinarily be concluded within two (2) months and, in exceptional cases where parties have expressed willingness to settle the matter or there exists possibility of settlement in the matter, the

proceedings may be extended by the IEC by a maximum of further 2 months with the consent of the Parties subject to cogent reasons being recorded in writing.

- 7.** The IEC shall thereafter formulate recommendations for settlement of the Disputes supported by reasons at the earliest but in any case within 15 days from the date of conclusion of the last hearing. The recommendations so formulated along with the reasons shall be furnished by the IEC to both the Parties at the earliest but in any case within 1 month from the date of conclusion of the last hearing.
- 8.** Response/modifications/suggestions of the Parties on the recommendations of the IEC are to be submitted to the IEC within time limit stipulated by the IEC but not more than 15 days from the date of receipt of the recommendations from the IEC.
- 9.** In the event, upon consideration, further review of the recommendations is considered necessary, whether by BHEL or by the other Party, then, the matter can be remitted back to the IEC with request to reconsider the same in light of the issues projected by either/both the Parties and to submit its recommendations thereon within the following 15 days from the date of remitting of the case by either of the Parties.
- 10.** Upon the recommendations by the Parties, with or without modifications, as considered necessary, the IEC shall be called upon to draw up the Draft Settlement Agreement in terms of the recommendations.
- 11.** When a consensus can be arrived at between the parties only in regard to any one or some of the issues referred for Conciliation the draft Settlement Agreement shall be accordingly formulated in regard to the said Issue(s), and the said Settlement Agreement, if signed, by the parties, shall be valid only for the said issues. As regards the balance issues not settled, the parties may seek to resolve them further as per terms and conditions provided in the contract.
- 12.** In case no settlement can be reached between the parties, the IEC shall by a written declaration, pronounce that the Conciliation between the parties has failed and is accordingly terminated.
- 13.** Unless the Conciliation proceedings are terminated in terms of para 22 (b), (c) & (d) herein below, the IEC shall forward his/its recommendations as to possible terms of settlement within one (1) month from the date of last hearing. The date of first hearing of Conciliation shall be the starting date for calculating the period of 2 months.

- 14.** In case of 3 members IEC, 2 members of IEC present will constitute a valid quorum for IEC and meeting can take place to proceed in the matter after seeking consent from the member who is not available. If necessary, videoconferencing may be arranged for facilitating participation of the members. However, the IEC recommendations will be signed by all members. Where there is more than one (1) Conciliator, as a general rule they shall act jointly. In the event of differences between the Members of IEC, the decision/recommendations of the majority of the Members of IEC shall prevail and be construed as the recommendation of the IEC.
- 15.** The Draft Settlement Agreement prepared by the IEC in terms of the consensus arrived at during the Conciliation proceedings between the Parties shall be given by the IEC to both the parties for putting up for approval of their respective Competent Authority.
- 16.** Before submitting the draft settlement agreement to BHEL's Competent Authority viz. the Board Level Committee on Alternative Dispute Resolution (BLCADR) for approval, concurrence of the other party's Competent Authority to the draft settlement agreement shall be obtained by the other party and informed to BHEL within 15 days of receipt of the final draft settlement agreement by it. Upon approval by the Competent Authority, the Settlement Agreement would thereafter be signed by the authorized representatives of both the Parties and authenticated by the members of the IEC.
- 17.** In case the Draft Settlement Agreement is rejected by the Competent Authority of BHEL or the other Party, the Conciliation proceedings would stand terminated.
- 18.** A Settlement Agreement shall contain a statement to the effect that each of the person(s) signing thereto (i) is fully authorized by the respective Party(ies) he/she represents, (ii) has fully understood the contents of the same and (iii) is signing on the same out of complete freewill and consent, without any pressure, undue influence.
- 19.** The Settlement Agreement shall thereafter have the same legal status and effect as an arbitration award on agreed terms on the substance of the dispute rendered by an arbitral tribunal passed under section 30 of the Arbitration and Conciliation Act, 1996.
- 20.** Acceptance of the Draft Settlement Agreement/recommendations of the Conciliator and/or signing of the Settlement Agreement by BHEL shall however, be subject to withdrawal/closure of any arbitral and/or judicial proceedings initiated by the concerned Party in regard to such settled issues.

- 21.** Unless otherwise provided for in the agreement, contract or the Memorandum of Understanding, as the case may be, in the event of likelihood of prolonged absence of the Conciliator or any member of IEC, for any reason/incapacity, the Competent Authority/Head of Unit/Division/Region/Business Group of BHEL may substitute the Conciliator or such member at any stage of the proceedings. Upon appointment of the substitute Conciliator(s), such reconstituted IEC may, with the consent of the Parties, proceed with further Conciliation into the matter either de-novo or from the stage already reached by the previous IEC before the substitution.
- 22.** The proceedings of Conciliation under this Scheme may be terminated as follows:
- a.** On the date of signing of the Settlement agreement by the Parties; or,
 - b.** By a written declaration of the IEC, after consultation with the parties, to the effect that further efforts at conciliation are no longer justified, on the date of the declaration; or,
 - c.** By a written declaration of the Parties addressed to the IEC to the effect that the Conciliation proceedings are terminated, on the date of the declaration; or,
 - d.** By a written declaration of a Party to the other Party and the IEC, if appointed, to the effect that the Conciliation proceedings are terminated, on the date of the declaration; or,
 - e.** On rejection of the Draft Settlement Agreement by the Competent Authority of BHEL or the other Party.
- 23.** The Conciliator(s) shall be entitled to following fees and facilities:

Sl No	Particulars	Amount
1	Sitting fees	Each Member shall be paid a Lump Sum fee of Rs 75,000/- for the whole case payable in terms of paragraph No. 27 herein below.
2	Towards drafting of settlement agreement	In cases involving claim and/or counter-claim of up to Rs 5crores. Rs 50,000/- (Sole Conciliator) In cases involving claim and/or counter-claim of exceeding Rs 5 crores but less than Rs 10 crores.

Sl No	Particulars	Amount
		<p>Rs 75,000 (per Conciliator) In cases involving claim and/or counter-claim of more than Rs 10 crores.</p> <p>Rs 1,00,000/- (per Conciliator) Note: The aforesaid fees for the drafting of the Settlement Agreement shall be paid on the, Signing of the Settlement Agreement after approval of the Competent Authority or Rejection of the proposed Settlement Agreement by the Competent Authority of BHEL.</p>
3	Secretarial expenses	<p>Rs 10,000/- (one time) for the whole case for Conciliation by a Sole Member IEC.</p> <p>Where Conciliation is by multi member Conciliators –Rs 30,000/- (one time)- to be paid to the IEC</p>
4	<p>Travel and transportation and stay at outstation Retired Senior Officials of other Public Sector Undertakings (pay scale wise equivalent to or more than E-8 level of BHEL)</p>	<p>As per entitlement of the equivalent officer (pay scale wise) in BHEL.</p>
	Others	<p>As per the extant entitlement of whole time Functional Directors in BHEL.</p> <p>Ordinarily, the IEC Member(s) would be entitled to travel by air Economy Class.</p>
5	Venue for meeting	<p>Unless otherwise agreed in the agreement, contract or the Memorandum of Understanding, as the case may be, the venue/seat of proceedings shall be the location of the</p>

Sl No	Particulars	Amount
		concerned Unit / Division / Region / Business Group of BHEL. Without prejudice to the seat/venue of the Conciliation being at the location of concerned BHEL Unit / Division / Region / Business Group, the IEC after consulting the Parties may decide to hold the proceedings at any other place/venue to facilitate the proceedings. Unless, Parties agree to conduct Conciliation at BHEL premises, the venue is to be arranged by either Party alternately.

- 24.** The parties will bear their own costs including cost of presenting their cases/evidence/witness(es)/expert(s) on their behalf. The parties agree to rely upon documentary evidence in support of their claims and not to bring any oral evidence in IEC proceedings.
- 25.** If any witness(es) or expert(s) is/are, with the consent of the parties, called upon to appear at the instance of the IEC in connection with the matter, then, the costs towards such witness(es)/expert(s) shall be determined by the IEC with the consent of the Parties and the cost so determined shall be borne equally by the Parties.
- 26.** The other expenditures/costs in connection with the Conciliation proceedings as well as the IEC's fees and expenses shall be shared by the Parties equally.
- 27.** Out of the lump sum fees of Rs 75,000/- for Sitting Fees, 50% shall be payable after the first meeting of the IEC and the remaining 50% of the Sitting Fees shall be payable only after termination of the conciliation proceedings in terms of para 22 hereinabove.
- 28.** The travelling, transportation and stay at outstation shall be arranged by concerned Unit as per entitlements as per Serial No. 4 of the Table at para 23 above, and in case such arrangements are not made by the BHEL Unit, the same shall be reimbursed to the IEC on actuals limited to their entitlement as per Serial No. 4 of the Table at Para 23 above against supporting documents. The IEC Member(s) shall submit necessary invoice for claiming the fees/reimbursements.

- 29.** The Parties shall keep confidential all matters relating to the conciliation proceedings. Confidentiality shall extend also to the settlement agreement, except where its disclosure is necessary for purposes of its implementation and enforcement or as required by or under a law or as per directions of a Court/Governmental authority/ regulatory body, as the case may be.
- 30.** The Parties shall not rely upon or introduce as evidence in any further arbitral or judicial proceedings, whether or not such proceedings relate to the Disputes that is the subject of the Conciliation proceedings:
- a.** Views expressed or suggestions made by the other party in respect of a possible settlement of the Disputes;
 - b.** admissions made by the other party in the course of the Conciliator proceedings;
 - c.** proposals made by the Conciliator;
 - d.** The fact that the other Party had indicated his willingness to accept a proposal for settlement made by the Conciliator.
- 31.** The Parties shall not present the Conciliator(s) as witness in any Alternative Dispute Resolution or Judicial proceedings in respect of a Disputes that is/was the subject of that particular Conciliation proceeding.
- 32.** None of the Conciliators shall act as an arbitrator or as a representative or counsel of a Party in any arbitral or judicial proceeding in respect of a Disputes that is/was the subject of that particular Conciliation proceeding.
- 33.** The Parties shall not initiate, during the Conciliation proceedings, any arbitral or judicial proceedings in respect of a Disputes that is the subject matter of the Conciliation proceedings except that a Party may initiate arbitral or judicial proceedings where, in his opinion, such proceedings are necessary for preserving his rights including for preventing expiry of period of limitation. Unless terminated as per the provisions of this Scheme, the Conciliation proceedings shall continue notwithstanding the commencement of the arbitral or judicial proceedings and the arbitral or judicial proceedings shall be primarily for the purpose of preserving rights including preventing expiry of period of limitation.
- 34.** The official language of Conciliation proceedings under this Scheme shall be English unless the Parties agree to some other language.

Format 5 to BHEL Conciliation Scheme, 2018
STATEMENT OF CLAIMS/COUNTER CLAIMS TO BE SUBMITTED TO THE
IEC BY BOTH THE PARTIES

1. Chronology of the Disputes
2. Brief of the Contract/MoU/Agreement/LOI/LOA
3. Brief history of the Disputes:
4. Issues:
5. Details of Clam(s)/Counter Claim(s):

SI. No.	Description of claim(s)/Counter Claim	Amount (in INR)Or currency applicable in the contract	Relevant contract clause

6. Basis/Ground of claim(s)/counter claim(s) (along with relevant clause of contract)

Note– *The Statement of Claims/ Counter Claims may ideally be restricted to maximum limit of 20 pages. Relevant documents may be compiled and submitted along with the statement of Claims/ Counter Claims. The statement of Claims/ Counter Claims is to be submitted to all IEC members and to the other party by post as well as by email.*

FORMAT FOR NOTICE INVOKING CONCILIATION CLAUSE BY BHEL FOR REFERRING THE DISPUTES TO CONCILIATION THROUGH IEC

To,

M/s. (Stakeholder's name)

Subject: **NOTICE FOR INVOCATION OF THE CONCILIATION CLAUSE OF THE CONTRACT BY BHEL**

Ref: Contract No/MoU/Agreement/LOI/LOA& date _____.

Dear Sir/Madam,

As you are aware, with reference to above referred Contract/MoU/Agreement/LOI/LOA, certain disputes have arisen, which, in spite of several rounds of mutual discussions and various correspondences have remained unresolved. The brief particulars of our claims which arise out of the above- referred Contract/MoU/Agreement/LOI/LOA are reproduced hereunder:

Sl. No.	Claim description	Amount involved

As you are aware, there is a provision in the captioned Contract/MoU/Agreement/LOI/ LOA for referring disputes to conciliation.

In terms of Clause -----of Procedure i.e., Annexure ----- to the Contract/MoU /Agreement / LOI / LOA, we hereby seek your consent to refer the matter to Conciliation by Independent Experts Committee to be appointed by BHEL. You are invited to provide your consent in writing to proceed with conciliation into the above mentioned disputes within a period of 30 days from the date of this letter along with details of counter-claims, if any, which you might have with regard to the subject Contract/ MoU/ Agreement/ LOI/ LOA.

Please note that upon receipt of your consent in writing within 30 days of the date of receipt of this letter by you, BHEL shall appoint suitable person(s) from the BHEL Panel of Conciliators.

This letter is being issued without prejudice to our rights and contentions available under the contract and law.

Thanking you
Yours faithfully

Representative of BHEL

Note: The Format may be suitably modified, as required, based on facts and circumstances of the case.

**FORMAT FOR NOTICE INVOKING CONCILIATION CLAUSE BY A
STAKEHOLDER FOR REFERRING THE DISPUTES TO CONCILIATION
THROUGH IEC**

To,

BHEL (Head of the Unit/Division/Region/Business Group)

Subject: **NOTICE FOR INVOCATION OF THE CONCILIATION CLAUSE OF THE
CONTRACT BY A STAKEHOLDER**

Ref: Contract No/MoU/Agreement/LOI/LOA& date _____.

Dear Sir/Madam,

As you are aware, with reference to above referred Contract/MoU/Agreement/LOI/LOA, certain disputes have arisen, which, in spite of several rounds of mutual discussions and various correspondences have remained unresolved. The brief particulars of our claims which have arisen out of the above-referred Contract/MoU/Agreement/LOI/LOA are enumerated hereunder:

Sl. No.	Claim description	Amount involved

As you are aware, there is a provision in the captioned Contract/MoU/Agreement/LOI/ LOA for referring inter-se disputes of the Parties to conciliation.

We wish to refer the above-said disputes to Conciliation as per the said Clause of the captioned Contract/MoU/Agreement/LOI/ LOA. In terms of Clause -----of Procedure i.e., Annexure ----- to the Contract/MoU /Agreement / LOI / LOA, we hereby invite BHEL to provide its consent in writing to proceed with conciliation into the above mentioned disputes within a period of 30 days from the date of this letter along with details of counter-claims, if any, which it might have with regard to the subject Contract/ MoU/ Agreement/ LOI/ LOA and to appoint suitable person(s) as Conciliator(s) from the BHEL Panel of Conciliators.

This letter is being issued without prejudice to our rights and contentions available under the contract and law.

Thanking you
Yours faithfully

Representative of the Stakeholder

Note: The Format may be suitably modified, as required, based on facts and circumstances of the case.

FORMAT FOR INTIMATION TO THE STAKEHOLDER ABOUT APPOINTMENT OF CONCILIATOR/IEC

To,

M/s. (Stakeholder's name)

Subject: **INTIMATION BY BHEL TO THE STAKEHOLDER AND CONCILIATOR(S) ABOUT APPOINTMENT OF CONCILIATOR/IEC**

Ref: Contract No/MoU/Agreement/LOI/LOA& date _____.

Sir,

This is with reference to letter dated ----- regarding reference of the disputes arising in connection with the subject Contract No /MoU/Agreement/LOI/LOA to conciliation and appointment of Conciliator(s).

In pursuance of the said letter, the said disputes are assigned to conciliation and the following persons are nominated as Conciliator(s) for conciliating and assisting the Parties to amicably resolve the disputes in terms of the Arbitration & Conciliation Act, 1996 and the Procedure ---- to the subject Contract/MoU/Agreement/LOI/LOA, if possible.

Name and contact details of Conciliator(s)

a)

b)

c)

You are requested to submit the Statement of Claims or Counter-Claims (strike off whichever is inapplicable) before the Conciliator(s) in Format 5 (enclosed herewith) as per the time limit as prescribed by the Conciliator(s).

Yours faithfully,

Representative of BHEL

CC: To Conciliator(s)... for Kind Information please.

Encl: As above

Note: The Format may be suitably modified, as required, based on facts and circumstances of the case.

(Compliance to be submitted in the bidder's letter head)
(as applicable)

Sub: Compliance to Government of India order OM No.6/18/2019-PPD dated 23.07.2020 & 24.7.2020 regarding restrictions under Rule 144 (XI) of the General Financial Rules (GFRs), 2017

Item Name :	
Enquiry No. :	
Project :	

We M/s. _____ (name of the bidder company) have read the clauses pertaining to Department of Expenditure's (DoE) Public Procurement Division Order (Public procurement no 1,2 & 3 vide ref. F.No.6/18/2019-PPD dated 23.07.2020 & 24.7.2020) regarding restrictions on procurement from a bidder of a country which shares a land border with India.

We hereby certify that **we are not from such a country** and eligible to be considered for this tender.

(Note: Non-compliance of above said GoI Order and its subsequent amendment, (if any), by any bidder(s) shall lead for commercial rejection of their bids by BHEL)

For and behalf of _____ (Name of the bidder)

(Signature, date & seal of authorized representative of the bidder)

(Compliance to be submitted in the bidder's letter head)
(as applicable)

Sub: Compliance to Government of India order OM No.6/18/2019-PPD dated 23.07.2020 & 24.7.2020 regarding restrictions under Rule 144 (XI) of the General Financial Rules (GFRs), 2017

Item Name :	
Enquiry No. :	
Project :	

We M/s. _____ (name of the bidder company) have read the clauses pertaining to Department of Expenditure's (DoE) Public Procurement Division Order (Public procurement no 1,2 & 3 vide ref. F.No.6/18/2019-PPD dated 23.07.2020 & 24.7.2020) regarding restrictions on procurement from a bidder of a country which shares a land border with India.

We are from such a country which shares a land border with India & have been registered with the Competent Authority as specified in above said order. We hereby certify that we fulfil all requirements in this regard and are eligible to be considered.

Evidence of valid registration by the Competent Authority is attached.

(Note: Non-compliance of above said GoI Order and its subsequent amendment, (if any), by any bidder(s) shall lead for commercial rejection of their bids by BHEL)

For and behalf of _____ (Name of the bidder)

(Signature, date & seal of authorized representative of the bidder)

FORMAT FOR VERIFICATION OF LOCAL CONTENT UNDER PREFERENCE TO MAKE IN INDIA ORDER

(To be submitted with the offer)

[Applicable for procurement value from Rs. 5.00 Lac to Rs. 10.00 Crore]

Self-certification giving the percentage of local content, in line with PPP-MII order, if applicable [to be submitted on the letter head of the issuer.]

Item Name :	
Enquiry No. :	
Project :	
Applicable percentage of Local Content	(Bidder to indicate local content in percentage)

We have read and understood the provisions of “Public Procurement (Preference to Make in India) Order, 2017” dated 15/06/2017, its revision dated 28/05/2018 and any subsequent modifications/Amendments, if any [hereinafter, “PPP-MII Order”] issued by Department of Industrial Policy and Promotion (DIPP), Ministry of Commerce and Industry, Government of India.

In line with the provisions of the PPP-MII Order, We, M/s. *[Enter the name of the Bidder]* [hereinafter, “Local Supplier”] submits self-certification to M/s. Bharat Heavy Electricals Limited [hereinafter, BHEL] regarding Local Content in Goods/Services/Works to be supplied by the Local Supplier for *(Enter the name of the Equipment/Item for Project)*, wherein we have agreed to abide by the terms and conditions of the PPP-MII Order.

Details of location at which local value addition will be made is as follows:

We also understand, false declarations will be in breach of the Code of Integrity under Rule 175(1)(i)(h) of the General Financial Rules for which a bidder or its successors can be debarred for up to two years as per Rule 151 (iii) of the General Financial Rules along with such other actions as may be permissible under law.

For and on behalf of,

Date:

Authorized Signatory
(With Company Seal & Signature)

Note: This is a guiding format. In case the bidder submits the certificate in a format different from the above, the same may be considered provided it meets the intent and purpose, as may be ascertained by BHEL.

FORMAT FOR VERIFICATION OF LOCAL CONTENT UNDER PREFERENCE TO MAKE IN INDIA ORDER

(To be submitted with the offer)

[Applicable for procurement value more than Rs. 10.00 Crore]

Certificate from statutory auditor or cost auditor of the company (in the case of companies) or from a practicing cost accountant or practicing chartered accountant (in respect of suppliers other than companies) giving the percentage of Local Content, in line with PPP-MII order, if applicable [to be submitted on the letter head of the issuer.]

Item Name :	
Enquiry No. :	
Project :	
Applicable percentage of Local Content	(Bidder to indicate local content in percentage)

We have read and understood the provisions of “Public Procurement (Preference to Make in India) Order, 2017” dated 15/06/2017, its revision dated 28/05/2018 and any subsequent modifications/Amendments, if any [hereinafter, “PPP-MII Order”] issued by Department of Industrial Policy and Promotion (DIPP), Ministry of Commerce and Industry, Government of India.

In line with the provisions of the PPP-MII Order, We, M/s. [Enter the name of the Bidder] [hereinafter, “Local Supplier”] submits self-certification to M/s. Bharat Heavy Electricals Limited [hereinafter, BHEL] regarding Local Content in Goods/Services/Works to be supplied by the Local Supplier for (Enter the name of the Equipment/Item for Project), wherein we have agreed to abide by the terms and conditions of the PPP-MII Order.

Details of location at which local value addition will be made is as follows:

We also understand, false declarations will be in breach of the Code of Integrity under Rule 175(1)(i)(h) of the General Financial Rules for which a bidder or its successors can be debarred for up to two years as per Rule 151 (iii) of the General Financial Rules along with such other actions as may be permissible under law.

For and on behalf of,

Date:

Authorized Signatory
(With Company Seal & Signature)

We, the Statutory Auditor(s) / Cost auditor (applicable in the case of companies) of the Local Supplier / a practicing cost accountant or practicing chartered accountant (applicable in respect of suppliers other than companies), certify that the Local Content as defined under the PPP-MII, in the Goods/Service/Works to be supplied by the Local Supplier for (Enter the name of the Equipment/Item for Project) is percentage [specify the percentage of Local content].

For and on behalf of,


Date:

Authorized Signatory
(With Company Seal & Signature)

Firm Reg No:

Membership No.


Note: This is a guiding format. In case the bidder submits the certificate in a format different from the above, the same may be considered provided it meets the intent and purpose, as may be ascertained by BHEL.


	SOLAR BUSINESS DIVISION (Erstwhile known as Electric & Photovoltaic Division)	SPECIAL CONDITIONS OF CONTRACT (SCC) Revision No. 00	TENDER NO. RC/MP/NP/FAST/01 RATE CONTRACT FOR SUPPLY OF STUDS & INSERTS
--	---	--	--


SCC: TERMS & CONDITIONS:
NOTE:


- These Conditions shall be read in conjunction with General Condition of Contract (GCC Rev R0) enclosed along with the tender enquiry. In case of any conflict or inconsistency, the requirement of SCC shall prevail over the GCC.
- All corrigenda, addenda, amendments, time extensions, clarifications etc. to the Tender will be hosted on <https://eprocurebhel.co.in/nicgep/app> only. Bidders should regularly visit this website to keep themselves updated.
- Our unit name has been changed to Solar Business Division (SBD) from Electric & Photovoltaic Division (EPD) w.e.f. 09.10.2020


1.	Type of Contract	Framework Agreement (FA)/ Rate Contract (RC)
2.	Item details	RATE CONTRACT FOR SUPPLY OF STUDS & INSERTS AS PER BHEL DRAWINGS
3.	Consignee address	STORES INCHARGE BHARAT HEAVY ELECTRICALS LTD SOLAR BUSINESS DIVISION Prof. CNR Rao Circle, Opp. Indian Institute of Science, MALLESWARAM BANGALORE – 560012 Phone:- +91 80 2218 2262
4.	Buyer and Paying Authority	Bharat Heavy Electricals Limited - SBD, Bangalore
5.	Buyer IEC CODE/ GST No.	IEC CODE: 0588138690 / GST No: 29AAACB4146P1ZB
6.	Mode of Dispatch	By Rail/Road It is also the Seller/Contractor's responsibility to ensure material is dispatched through shortest possible route. Note: It is Seller/Contractor's responsibility to ensure availability of Trucks/Trains schedule etc. well in advance for dispatch of material to meet contractual delivery requirement. <ul style="list-style-type: none"> • Part shipment is allowed. • Transshipment is not allowed.
7.	Transportation & Freight Charges	Material to be dispatched on freight pre-paid basis including destination charges
8.	Road Permit / E-waybill	Road Permit / E-way bill, to be arranged by Supplier / Transporter / BHEL (as per GOI mandate).
9.	Price basis	F.O.R. Destination basis inclusive of packing, forwarding & freight charges, testing (IF ANY). Taxes & Duties shall be payable in line with GCC & SCC. All the other applicable taxes including Income Taxes (TDS) as per Indian law shall be deducted from the payables & paid to Govt. by BHEL.
10.	Validity of Offers	i. In case of negotiation, validity of offer shall be 60 days from receipt of revised /negotiated final price or 90 days from Part-I opening, whichever is later. ii. Offers with shorter validity than above are liable to be rejected.
11.	Validity of RC (Rate Contract)	Validity of the RC shall be one year from the date of agreement of the RC.
12.	Evaluation of Offers	Item wise L1 bidder shall be finalised. The evaluation currency for this tender shall be INR. Evaluation of the tender shall be on the basis of itemwise L1 basis, i.e. 'total cost to BHEL' w.r.t the finalized technical scope and commercial conditions and taking into consideration loadings, if any, and all available financial advantages. Vendors are supposed to fill all the Price Formats (Unpriced & Priced) in all respects. If not quoting for any item, vendor may leave the cell blank against the same item). Prices in Main Price Schedule (Price_Bid_BoQ_MainPriceSchedule.xls) shall be quoted inclusive of Freight Charges.
13.	Price variation clause (PVC)	Not applicable. (Prices shall be firm till the completion of contract)
14.	Split order condition/ Load Sharing	Not applicable
15.	Transit Insurance	In BHEL's Scope
16.	Unloading at Site	Unloading will be in the scope of BHEL
17.	Delivery Schedule	Refer " deliverryschedule_Tech PQR" document
18.	Delivery Terms	F.O.R. Destination BHEL-SBD, Bengaluru. Delivery timings at BHEL-SBD, Stores: 09:00 AM to 03:30 PM (on all working days). Entry through Materials Gate (Rear Gate) only.
19.	Loading	Loading for Commercial Deviations (where cost of withdrawal not given) For deviations w.r.t. Payment terms, Liquidated damages, if a bidder chooses not to give any cost of withdrawal of deviation, loading as per Annexure-VIII will apply. Loading criteria in Annexure VIII- Interest Rate for loading will be


 SOLAR BUSINESS DIVISION (Erstwhile known as Electric & Photovoltaic Division)		SPECIAL CONDITIONS OF CONTRACT (SCC) Revision No. 00	TENDER NO. RC/MP/NP/FAST/01 RATE CONTRACT FOR SUPPLY OF STUDS & INSERTS
		taken as Repo Rate (as applicable on the date of bid opening, Techno-commercial bid, in case of 2-part bids) + 4% for the period of relaxation sought by the bidders.	
20.	Payment terms	Payment Terms :100% of basic price of material supplied, as per PO, along with 100% taxes & duties (as applicable) & freight charges, shall be paid on pro-rata basis within (i) 45 days for Micro & Small Enterprises (MSEs) (ii) 60 days for Medium Enterprises (iii) 90 days for Non-MSME from the date of receipt of goods & receipt of complete documents as per order/contract subject to acceptance of materials. Statutory deductions will be made from payment, certificate if any will be issued by BHEL. Udyam certificate shall be submitted with the bid to avail MSE benefit.	
21.	Quantity Variation	Quantity as mentioned in the Tender are tentative. However, based on BHEL's actual requirement, orders shall be placed by BHEL against RC upto ±30% of the RC Value.	
22.	Warranty	Not applicable	
23.	Submission of Performance Bank Guarantee (PBG) or Security Deposit (SD)	Not applicable	
24.	Integrity Pact	Not applicable	
25.	Financial PQR	Not applicable	
26.	Technical PQR	Applicable. Refer "deliverschedule_Tech PQR" document	
27.	Inspection Agency	By BHEL/BHEL's Customer/BHEL Nominated Agency	
28.	Over Run Charges	No overrun charges are applicable	
29.	Inspection requirement	Refer "RCQty_SOS_STC" and "SQAP" document	
30.	Drawings	Refer "drawings"	
31.	Quality plan	Refer "SQAP" document	
32.	Work Instruction	Refer "RCQty_SOS_STC" document	
33.	Weightage of each items	Not Applicable	
34.	Demurrage charges	Demurrage charges shall be paid by supplier/vendor only to the transporter. No claim shall be acceptable to BHEL in this regard.	
35.	Organization Chart	Contact details (Email, Mobile No. and Phone no.) for concern person to be submitted by the Bidder.	
36.	Delivery Failure and Termination/Liquidated Damages	Purchaser reserves the right to recover from the Seller/Contractor, as agreed, liquidated damages and not by way of penalty, a sum equivalent to half (½) percent of undelivered portion per week or part thereof, subject to a maximum of ten (10) percent of the total contract price excluding elements of taxes, duties and freight, if the Seller/ Contractor fails to deliver any part of the ordered stores within the period stipulated in the Order/Contract. NOTE: 1. Date of receipt of material at BHEL stores (Gate Entry) shall be considered as date of delivery for levying LD. 2. In case of any amendment/revision, LD shall be linked to the amended/revised contract value and delivery date(s). 3. If Order/ Contract involves two or more Units/ Sets/ Lots, then Liquidated Damages shall be for order/ contract value of the delayed Unit/ Set/ Lot, provided delivery stipulated in the Order/ Contract is Unit/ Set/ Lot wise, however total LD amount shall be limited to 10% of total order value. (excluding taxes, duties and freight)	
37.	TAXES AND DUTIES (Clause No. 4.1, 4.2 & 4.3)	Clause No. 4.1, 4.2 & 4.3 of GCC to be read as: 4.1 CGST/SGST/UTGST/IGST 4.1.1 Seller/ Contractor is required to ensure that CGST/SGST/UTGST/IGST (whichever is applicable) is quoted as per the existing tariff on the date of the offer and all benefits as per existing laws have been considered. 4.1.2 It is the responsibility of the seller/contractor to issue the Tax Invoice strictly as per the format prescribed under the relevant applicable GST law (CGST Act/SGST Act/UTGST Act/IGST Act). Vendor to indicate the proper GSTN Registration/ HSN code in their tax invoice. 4.1.3 The purchaser is registered in the State of Karnataka vide following GST registration number: 29AAACB4146P1ZB. 4.1.4 Seller/contractor is required to mention the above registration number in their tax invoice unless stated otherwise in NIT/SCC. CGST/SGST/UTGST/IGST shall be paid at actuals against Tax Invoice subject to Cl. No. 24 of SCC.	
38.	OTHER TAXES & LEVIES (Clause No. 4.4)	Clause No. 4.4 of GCC of GCC to be read as: 4.4 OTHER TAXES & LEVIES 4.1.5 All taxes/duties/Cess other than CGST/SGST/UTGST/IGST shall be deemed to be included in the Ex-Works prices unless specified otherwise by the bidder in the price bid. No variation in other taxes and duties shall be payable by Purchaser.	


	SOLAR BUSINESS DIVISION (Erstwhile known as Electric & Photovoltaic Division)	SPECIAL CONDITIONS OF CONTRACT (SCC) Revision No. 00	TENDER NO. RC/MP/NP/FAST/01 RATE CONTRACT FOR SUPPLY OF STUDS & INSERTS
39.	CUSTOMS DUTY (Clause No. 4.5 of GCC)	Clause No. 4.5 of GCC to be read as: 4.5 CUSTOMS DUTY 4.5.1 Customs Duty/IGST/Goods and Services compensation Cess under Goods and Services Tax (Compensation to States) Act, 2017 element for imported items as per Special Conditions of Contract shall be included in the Ex-Works prices. 4.5.2 Seller/ Contractor shall arrange for his own import license, if required, since Purchaser will not provide any import license. Therefore, Seller/ Contractor alone shall be responsible for any delay in getting import license or non-availability of the same or completion of other related formalities. Purchaser shall not be responsible for any financial liability, whatsoever, on this account. 4.5.3 Essentiality Certificate or Project Authority Certificate (PAC) as per Import Policy, if required to avail concessional customs duty, shall be clearly specified in the offer. Import content (CIF value in rupees) with list of items, quantity, foreign currency, Country of origin etc., shall be submitted by the bidder as part of Price bid.	
40.	DIRECT TAXES (Clause No. 4.6 of GCC)	Clause No. 4.6 of GCC to be read as: 4.6 DIRECT TAXES 4.6.1 Purchaser shall not be liable towards income tax of whatever nature including variations thereof, arising out of this Order/ Contract, as well as tax liability of the Seller/ Contractor and his personnel. 4.6.2 Deductions of Tax at source at the prevailing rates shall be effected by the Purchaser before release of payment, as a statutory obligation, if applicable. TDS certificate will be issued by the Purchaser as per statutory provisions.	
41.	STATUTORY VARIATION (Clause No. 5.0 of GCC)	Clause No. 5.0 of GCC to be read as: 5.0 STATUTORY VARIATION 5.1 Statutory variation for CGST/SGST/UGST/IGST is available provided the actual completion of supply does not occur beyond the period stipulated in the order/contract or any extension (without levy of penalty). 5.2 For variation after the agreed completion periods, the seller/contractor alone shall bear the impact for the upwards revisions and adjust the price in their basic price in such a manner that total price with tax matches with the ex- works with taxes of Purchase Order/Contract. For downward revisions, purchaser shall be given the benefit of reduction in CGST/SGST/UGST/IGST. This will be without prejudice to the levy of penalty for delay in delivery/completion schedule. 4.6.3 No other variations such as on Custom Duty, exchange rate, minimum wages, prices of controlled commodities, any other input etc. shall be payable by the purchaser.3	
42.	TRANSPORTATION & FREIGHT CHARGES (Clause No. 8 of GCC)	Clause No. 8 of GCC to be read as: TRANSPORTATION & FREIGHT CHARGES All dispatches shall be through road carriers approved by Purchaser/ Bank, on freight pre-paid basis. 5.3 Road Permit/E-way bill, if required, will be arranged by Supplier.	
43.	New Clause of GCC	9.7 Other clauses 1. Vendor/Supplier will intimate BHEL along with LR/RR (as applicable) immediately on removal of goods from vendor/supplier works. 2. All payments against Tax Invoice to vendors/contractors shall be released only after: a) Vendor/contractor declaring such invoice in GSTR-1 within the prescribed timeline as per the relevant Act. b) The tax component charged by the vendor in the invoice should be matched with the details uploaded by vendor in GSTR-1. c) Confirmation of payment of GST thereon by vendor on GSTN portal 3. In case, any GST credit is delayed/denied to BHEL due to non/delayed receipt of goods and/or tax invoice or expiry to timeline prescribed in the relevant Act for availing such ITC, or any other reasons not attributable to BHEL, tax amount shall be recoverable from the vendor/contractor along with interest levied/enviable on BHEL. Wherein GST liability arises on BHEL under reverse charge, any interest levied/enviable due to any reasons not attributable to BHEL shall be recovered from the vendor/contractor.	
44.	Documents to be Submitted by Vendor for claiming bill	A. ORIGINAL GST COMPLAINT INVOICE (ORIGINAL FOR BUYER + 2 COPY). B. DELIVERY CHALLAN / CONSIGNEE COPY OF LR/ E-WAY BILL	
45.	New Clauses of GCC	a) In case of discrepancy in CGST/SGST/UTGST/IGST rate corresponding to HSN code and quotes rates, the evaluation shall be done on quoted price and correct CGST/SGST/UTGST/IGST rate shall be considered for ordering (limited to quoted FOR Site Price). b) The bidder should have been registered with the appropriate authority under relevant GST laws. c) The bidder to specify in their offer (Part 1 bid) the category of registration under GST i.e. registered dealer and composite dealer d) No CGST/SGST/UTGST/IGST will be reimbursed to composite dealer. In the event of any GST quoted by composite dealer, the same shall be considered for evaluation purpose. However, the ordering will be done without considering the tax. In the event of any change in the status of vendor from composite to regular dealer after the submission of the bid but	


	SOLAR BUSINESS DIVISION (Erstwhile known as Electric & Photovoltaic Division)	SPECIAL CONDITIONS OF CONTRACT (SCC) Revision No. 00	TENDER NO. RC/MP/NP/FAST/01 RATE CONTRACT FOR SUPPLY OF STUDS & INSERTS
		before the supply, no reimbursement of CGST/SGST/UTGST/IGST will be made. However, the vendor has to raise the invoice strictly, as per the law, by adjusting their ex-works price.	
46.	RISK & COST CLAUSE	Not applicable	
47.	NOTE	<ol style="list-style-type: none"> 1. The bidder shall collect rejected items from BHEL-SBD within 15 days from date of intimation otherwise BHEL has the right to take suitable action about rejected material. The vendor has to make own arrangement like vehicle, manpower, packing material etc. to take the rejected material from BHEL-SBD. 2. The item shall be supplied as per corresponding drawing in line with SQAP. 3. Vendor to submit original Bank Mandate (on BHEL format) and cancelled cheque along with the first invoice for claiming payment. 4. Delivery Challans & Invoices /Service Entry Sheet in the format as specified under GST laws mentioning your GSTIN No, item HSN/SAC No should accompany supply. 5. Evaluation of the offer will be item wise. <ol style="list-style-type: none"> i. GST portion of invoice shall be released only upon vendor declaring such invoice in his GSTR-1 return and receipt of goods/services and tax and confirmation of payment of GST thereon by vendor on GSTN Portal. ii Bank Guarantee of appropriate value may be obtained from vendor which shall be valid at least one month after the confirmation of payment date by vendor on GST portal and receipt of Tax invoice and receipt of goods, whichever is later. [If (a) above could not be complied]. iii. In case GST credit is delayed/denied to BHEL due to non/delayed receipt of goods and/or tax invoice or expiry of timeline prescribed in GST law for availing such ITC, or any other reasons not attributable to BHEL, GST amount shall be recoverable from vendor along with interest levied/BG of appropriate value may be obtained from vendor alternatively payment covering GST portion including interest thereon shall be release to vendor only upon completion of these requirements. iv. In case vendor delays declaring such invoice in his return & GST credit by BHEL is denied or reversed subsequently as per GST law, GST amount paid by BHEL towards such ITC reversal as per GST Law shall be recoverable from vendor/contractor along with interest levied/leviable. be obtained from vendor alternatively payment covering GST portion including interest thereon shall be released to vendor only upon completion of these requirements. 	
48.	Provisions for MSE vendors	<p>PROVISIONS APPLICABLE FOR MSE VENDORS (MICRO AND SMALL ENTERPRISES) Benefits/facilities as applicable for Micro and Small Enterprises (MSEs) shall be available to MSEs registered with Government designated authorities as per the Purchase & Price Preference Policy of the Government subject to them becoming eligible otherwise. Vendors who qualify as MSE vendors are requested to submit applicable certificates (as specified by the Ministry of Micro, Small and Medium Enterprises) at the time of vendor registration. Vendors have to submit the UDYAM Registration certificate along with the tender documents in the Part-I bid to avail the applicable benefits. Date to be reckoned for determining the deemed validity will be the date of bid opening (Part-I in case of two-part bid and three-part bid). If the tender is to be submitted through e-procurement portal, then the above required documents are to be uploaded on the portal. Bidders to however note the documents that shall be furnished in order to establish credentials as MSE vendor should be as per the extant statutory requirements specified by the Ministry of Micro, Small and Medium Enterprises (MSME).</p> <p>PURCHASE PREFERENCE FOR MSE VENDORS: A. For Items which are divisible in nature: MSE vendors quoting within a price band of L1 + 15% shall be allowed to supply up to 25% of the requirement against this tender provided: <ol style="list-style-type: none"> 1. The MSE vendor matches the L1 price. 2. L1 price is from a non MSE vendor. 3. L1 price will be offered to the vendor nearest to L1 in terms of price ranking (L2 – nearest to L1). In case of non-acceptance by the MSE vendor (L2), next ranking MSE vendor will be offered who is within the L1 + 15% band (if L3 is also within 15% band). 4. 3% of the 25% will be earmarked for women owned MSEs. 5. 25% of the 25% (i.e., 6.25% of the total enquired quantity) will be earmarked for SC/ST owned MSE firms provided conditions as mentioned in (1) & (2) are fulfilled. 6. In case where no SC/ST category firms are meeting the conditions mentioned in (1) and (2) or have not participated in the tender, the 6.25% of earmarked quantity for SC/ST owned MSE firms will be distributed among the other eligible MSE vendors who have participated in the tender. B. For Items which are not divisible in nature: MSE vendors quoting within a price band of L1 + 15% shall be allowed to supply up to 100% of the requirement against this tender provided: <ol style="list-style-type: none"> 1. The MSE vendor matches the L1 price. 2. L1 price is from a non MSE vendor. 3. L1 price will be offered to the vendor nearest to L1 in terms of price ranking (L2 – nearest to L1). In case of non-acceptance by the MSE vendor (L2), next ranking MSE vendor will be offered who is within the L1 + 15% band (if L3 is also within 15% band). </p>	


	SOLAR BUSINESS DIVISION (Erstwhile known as Electric & Photovoltaic Division)	SPECIAL CONDITIONS OF CONTRACT (SCC) Revision No. 00	TENDER NO. RC/MP/NP/FAST/01 RATE CONTRACT FOR SUPPLY OF STUDS & INSERTS												
		4. No distribution shall be done specifically to women owned MSEs or SC/ST owned MSEs in such cases. Documents to be submitted for claiming MSE status and intended benefits: Udyam Registration certificate.													
49.	Provisions for MSE vendors- Category	Any Bidder falling under MSE category shall furnish the following details & submit documentary evidence/ Govt. Certificate etc. in support of the same along with their techno-commercial offer. <table border="1" data-bbox="440 306 1498 489"> <thead> <tr> <th>Type under MSE</th> <th>Please specify Yes or No (If applicable)</th> </tr> </thead> <tbody> <tr> <td>SC/ST Owned</td> <td></td> </tr> <tr> <td>Women Owned</td> <td></td> </tr> <tr> <td>Others (excluding SC/ST & Women Owned)</td> <td></td> </tr> <tr> <td>Micro</td> <td></td> </tr> <tr> <td>Small</td> <td></td> </tr> </tbody> </table> <p>Note: If the bidder does not furnish the above in the tender, offer shall be processed construing that the bidder is not falling under MSE category.</p>		Type under MSE	Please specify Yes or No (If applicable)	SC/ST Owned		Women Owned		Others (excluding SC/ST & Women Owned)		Micro		Small	
Type under MSE	Please specify Yes or No (If applicable)														
SC/ST Owned															
Women Owned															
Others (excluding SC/ST & Women Owned)															
Micro															
Small															
50.	Preference to Make in India	"For this procurement, the local content to categorize a supplier as a Class I local supplier/ Class II local Supplier/ Nonlocal supplier and purchase preference to Class I local supplier, is as defined in Public Procurement (Preference to Make in India), Order 2017 dated 04.06.2020 issued by DPIIT. In case of subsequent orders issued by the nodal ministry, changing the definition of local content for the items of the NIT, the same shall be applicable even if issued after issue of this NIT, but before opening of Part-II bids against this NIT".													
51.	Compliance to Government of India order OM No.6/18/2019-PPD dated 23.07.2020 & 24.7.2020 regarding restrictions under Rule 144 (XI) of the General Financial Rules (GFRs), 2017	<ol style="list-style-type: none"> I. Any bidder from a country which shares a land border with India will be eligible to bid in this tender only if the bidder is registered with the Competent Authority. II. "Bidder" (including the term 'tenderer', 'consultant' or 'service provider' in certain contexts) means any person or firm or company including any member of a consortium or joint venture (that is an association of several persons, or firms or companies), every artificial juridical person not falling in any of the descriptions of bidders stated hereinbefore, including any agency branch or office controlled by such person, participating in a procurement process. III. "Bidder from a country which shares a land border with India" for the purpose of this Order means: <ol style="list-style-type: none"> a. An entity Incorporated, established or registered in such a country; or b. A subsidiary of an entity Incorporated, established or registered in such a country; or c. An entity substantially controlled through entities incorporated, established or registered in such a country; or d. An entity whose <i>beneficial owner</i> is situated in such a country, or e. An Indian (or other) agent of such an entity; or f. A natural person who is a citizen of such a country; or g. A consortium or joint venture where any member of the consortium or joint venture falls under any of the above IV. The <i>beneficial owner</i> for the purpose of (iii) above will be as under: <ol style="list-style-type: none"> 1. In case of a company or Limited Liability Partnership, the beneficial owner is the natural person(s), who, whether acting alone or together, or through one or more juridical person, has a controlling ownership interest or who exercises control through other means. Explanation- <ol style="list-style-type: none"> a. "Controlling ownership interest" means ownership of or entitlement to more than twenty-five per cent. of shares or capital or profits of the company; b. "Control" shall include the right to appoint majority of the directors or to control the management or policy decisions including by virtue of their shareholding or management rights or shareholder's agreements or voting agreements; 2. In case of a partnership firm, the beneficial owner is the natural person(s) who, whether acting alone or together, or through one or more juridical person, has ownership of entitlement to more than fifteen percent of capital or profits of the partnership; 3. In case of an unincorporated association or body of individuals, the beneficial owner is the natural person(s), who, whether acting alone or together, or through one or more juridical person, has ownership of or entitlement to more than fifteen percent of the property or capital or profits of such association or body of Individuals; 4. Where no natural person is Identified under (1) or (2) or (3) above the beneficial owner is the relevant natural person who holds the position of senior managing official; 5. In case of a trust, the identification of beneficial owner(s) shall include identification of the author of the trust, the trustee, the beneficiaries with fifteen percent or more interest in the trust and any other natural person exercising ultimate effective control over the trust through a chain of control or ownership. V. An Agent is a person employed to do any act for another or to represent another in dealings with third person. VI. The successful bidder shall not be allowed to sub-contract works to any contractor from a country which shares a land border with India unless such contractor is registered with the Competent Authority. * The above clause is not applicable to the bidders from those countries (even if sharing a land border with India) 													

	SOLAR BUSINESS DIVISION (Erstwhile known as Electric & Photovoltaic Division)	SPECIAL CONDITIONS OF CONTRACT (SCC) Revision No. 00	TENDER NO. RC/MP/NP/FAST/01 RATE CONTRACT FOR SUPPLY OF STUDS & INSERTS
		<p>to which the GoI has extended lines of credit or in which the GoI is engaged in development projects. * List of countries to which lines of credit have been extended or in which development projects are undertaken are available on the Ministry of External affairs website (https://www.mea.gov.in/).</p> <p>Compliance to Government of India order OM No.6/18/2019-PPD dated 23.07.2020 & 24.7.2020 regarding restrictions under Rule 144 (XI) of the General Financial Rules (GFRs), 2017 to be submitted on the bidder's letter head as per Annexure-D (i) or Annexure-D (ii) – as applicable.</p>	
52.	Certification for percentage of local content, in line with PPP-MII order, if applicable	Certification (as applicable) giving the percentage of local content, in line with PPP-MII order, if applicable to be submitted as per attached Annexure-F (i) for procurement value from Rs. 5.00 Lac to Rs. 10.00 Crore or Annexure-F (ii) for procurement value more than Rs. 10.00 Crore.	
53.	Relaxation in Public Procurement Norms for Startups/MSE's	Not Applicable.	
54.	Declaration by bidder regarding protection of commercial interests of BHEL	The Bidder declares that they will not enter into any illegal or undisclosed agreement or understanding, whether formal or informal with other Bidder(s). This applies in particular to prices, specifications, certifications, subsidiary contracts, submission or non-submission of bids or any other actions to restrict competitiveness or to introduce cartelization in the bidding process. In case, the Bidder is found having indulged in above activities, suitable action shall be taken by BHEL as per extant policies/ guidelines.	
55.	Reverse Auction	Applicable. "BHEL shall be resorting to Reverse Auction (RA) (Guidelines as available on www.bhel.com) for this tender. It is the responsibility of the bidders to keep updated themselves of the RA guidelines." The offer from the bidders shall be considered to be in compliance to the above.	
56.	Tax Collected at Source (TCS)	W.E.F. 01.07.2021 BHEL IS LIABLE TO DEDUCT TAX AT SOURCE U/S 194Q OF THE INCOME TAX ACT AT THE APPLICABLE RATE AND PRESCRIBED VALUE OF GOODS. HEREAFTER SELLER/VENDOR NEED NOT LEVY TAX COLLECTED A SOURCE (TCS) AS REQUIRED U/S 206C(1H) OF THE INCOME TAX ACT. BHEL would be making use of the functionality introduced by CBDT: Compliance Check for Sections 206AB and 206CCA and accordingly using the applicable rate of TDS. Vendors to make sure the information is available in the functionality against their PAN Nos. Vendors to note the applicable rate of TDS as per 206AB and 206 CCA will be at higher rate of 5% (as against 0.1%) in case of specified persons (non-filers). Specified persons means: 1. Who has not filed Income Tax returns for last two assessment years relevant to the applicable Two Previous Years 2. Aggregate of TDS/TCS is Rs. Fifty Thousand and more in each of the two previous years	
57.	E-INVOICING	E-Invoicing under GST to be done in line with the latest guidelines of GOI. It is the responsibility of the bidders to keep updated themselves of the guidelines. In case the vendor delays or fails to provide all the documents as per the Purchase Order at the time of submitting Tax Invoice to BHEL, any subsequent financial loss to BHEL on account of vendor shall be to vendor's account. BHEL has further right to take necessary steps to protect its interest at the time of release of payment.	
58.	Conflict of Interest	The bidder notes that a conflict of interest would said to have occurred in the tender process and execution of the resultant contract, in case of any of the following situations: i) If its personnel have a close personal, financial, or business relationship with any personnel of BHEL who are directly or indirectly related to the procurement or execution process of the contract, which can affect the decision of BHEL directly or indirectly; ii) The bidder (or his allied firm) provided services for the need assessment/ procurement planning of the Tender process in which it is participating; iii) Procurement of goods directly from the manufacturers/ suppliers shall be preferred. However, if the OEM/ Principal insists on engaging the services of an agent, such agent shall not be allowed to represent more than one manufacturer/ supplier in the same tender. Moreover, either the agent could bid on behalf of the manufacturer/ supplier or the manufacturer/ supplier could bid directly but not both. In case bids are received from both the manufacturer/ supplier and the agent, bid received from the agent shall be ignored. However, this shall not debar more than one Authorised distributor (with/ or without the OEM). from quoting equipment manufactured by an Original Equipment Manufacturer (OEM) in procurements under a Proprietary Article Certificate. iv) A bidder participates in more than one bid in this tender process. Participation in any capacity by a Bidder (including the participation of a Bidder as a partner/ JV member or sub-contractor in another bid or vice-versa) in more than one bid shall result in the disqualification of all bids in which he is a party. However, this does not limit the participation of an entity as a sub-contractor in more than one bid if he is not bidding independently in his own name or as a member of a JV. The Bidder declares that they have read and understood the above aspects, and the bidder confirms that such conflict of interest does not exist and undertakes that they will not enter into any illegal or undisclosed agreement or understanding, whether formal or informal with other Bidder(s), in this regard. This applies in particular to prices, specifications, certifications, Subsidiary contracts, submission or non-submission of bids or any other actions to	

	SOLAR BUSINESS DIVISION (Erstwhile known as Electric & Photovoltaic Division)	SPECIAL CONDITIONS OF CONTRACT (SCC) Revision No. 00	TENDER NO. RC/MP/NP/FAST/01 RATE CONTRACT FOR SUPPLY OF STUDS & INSERTS
		restrict competitiveness or to introduce cartelization in the bidding process. In case, the Bidder is found having indulged in above activities, the same will be considered as a violation of the tender conditions, and suitable action shall be taken by BHEL as per extant policies/ guidelines.	
59.	Breach of contract, Remedies and Termination	<p>BREACH OF CONTRACT: The following shall amount to breach of contract:</p> <ul style="list-style-type: none"> i. Non-supply of material/ non-completion of work by the Supplier/Vendor within scheduled delivery/ completion period as per contract or as extended from time to time. ii. The Supplier/Vendor fails to perform as per the activity schedule and there are sufficient reasons even before expiry of the delivery/ completion period to justify that supplies shall be inordinately delayed beyond contractual delivery/ completion period. iii. The Supplier/Vendor delivers equipment/ material not of the contracted quality. iv. The Supplier/Vendor fails to replace the defective equipment/ material/component as per guarantee clause. v. Withdrawal from or abandonment of the work by the Supplier/Vendor before completion as per contract. vi. Assignment, transfer, subletting of Contract by the Supplier/Vendor without BHEL's written permission resulting in termination of Contract or part thereof by BHEL. vii. Non-compliance to any contractual condition or any other default attributable to Supplier/Vendor. viii. Any other reason(s) attributable to Vendor towards failure of performance of contract. In case of breach of contract, BHEL shall have the right to terminate the Purchase Order/ Contract either in whole or in part thereof without any compensation to the Supplier/Vendor. ix. Any of the declarations furnished by the contractor at the time of bidding and/ or entering into the contract for supply are found untruthful and such declarations were of a nature that could have resulted in non-award of contract to the contractor or could expose BHEL and/ or Owner to adverse consequences, financial or otherwise. x. Supplier/Vendor is convicted of any offence involving corrupt business practices, antinational activities or any such offence that compromises the business ethics of BHEL, in violation of the Integrity Pact entered into with BHEL has the potential to harm the overall business of BHEL/ Owner. <p>Note- Once BHEL considers that a breach of contract has occurred on the part of Supplier/Vendor, BHEL shall notify the Supplier/Vendor by way of notice in this regard. Contractor shall be given an opportunity to rectify the reasons causing the breach of contract within a period of 14 days. In case the contractor fails to remedy the breach, as mentioned in the notice, to the satisfaction of BHEL, BHEL shall have the right to take recourse to any of the remedial actions available to it under the relevant provisions of contract.</p> <p>REMEDIES IN CASE OF BREACH OF CONTRACT.</p> <ul style="list-style-type: none"> i. Wherein the period as stipulated in the notice issued under clause 59.1 has expired and Supplier/Vendor has failed to remedy the breach, BHEL will have the right to terminate the contract on the ground of "Breach of Contract" without any further notice to contractor. ii. Upon termination of contract, BHEL shall be entitled to recover an amount equivalent to 10% of the Contract Value for the damages on account of breach of contract committed by the Supplier/Vendor. This amount shall be recovered by way of encashing the security instruments like performance bank guarantee etc available with BHEL against the said contract. In case the value of the security instruments available is less than 10% of the contract value, the balance amount shall be recovered from other financial remedies (i.e. available bills of the Supplier/Vendor, retention amount, from the money due to the Supplier/Vendor etc. with BHEL) or the other legal remedies shall be pursued. iii. wherever the value of security instruments like performance bank guarantee available with BHEL against the said contract is 10% of the contract value or more, such security instruments to the extent of 10% contract value will be encashed. In case no security instruments are available or the value of the security instruments available is less than 10% of the contract value, the 10% of the contract value or the balance amount, as the case may be, will be recovered in all or any of the following manners: iv. In case the amount recovered under sub clause (a) above is not sufficient to fulfil the amount recoverable then; a demand notice to deposit the balance amount within 30 days shall be issued to Supplier/Vendor. v. If Supplier/Vendor fails to deposit the balance amount within the period as prescribed in demand notice, following action shall be taken for recovery of the balance amount: <ul style="list-style-type: none"> a. from dues available in the form of Bills payable to defaulted Supplier/Vendor against the same contract. b. If it is not possible to recover the dues available from the same contract or dues are insufficient to meet the recoverable amount, balance amount shall be recovered from any money(s) payable to Supplier/Vendor under any contract with other Units of BHEL including recovery from security deposits or any other deposit available in the form of security instruments of any kind against Security deposit or EMD. c. In-case recoveries are not possible with any of the above available options, Legal action shall be initiated for recovery against defaulted supplier/Vendor. vi. It is an agreed term of contract that this amount shall be a genuine pre-estimate of damages that BHEL would incur in completion of balance contractual obligation of the contract through any other agency and BHEL will not be required to furnish any other evidence to the Supplier/Vendor for the purpose of estimation of damages. vii. In addition to the above, imposition of liquidated damages, debarment, termination, de-scoping, short-closure, etc., shall be applied as per provisions of the contract. <p>Note:</p>	

 SOLAR BUSINESS DIVISION (Erstwhile known as Electric & Photovoltaic Division)		SPECIAL CONDITIONS OF CONTRACT (SCC) Revision No. 00	TENDER NO. RC/MP/NP/FAST/01 RATE CONTRACT FOR SUPPLY OF STUDS & INSERTS
		1) The defaulting Supplier/Vendor shall not be eligible for participation in any of the future enquiries floated by BHEL to complete the balance work. The defaulting contractor shall mean and include: (a) In case defaulted Supplier/Vendor is the Sole Proprietorship Firm, any Sole Proprietorship Firm owned by same Sole Proprietor. In case defaulted Supplier/Vendor is The Partnership Firm, any firm comprising of same partners/ some of the same partners; or sole proprietorship firm owned by any partner(s) as a sole proprietor.	
60.	Duration	The rate contract will be applicable for one years. The validity of contract can be extended for one more year based on mutual consent of BHEL and vendor.	
61.	Evaluation in case of more than one L-1 bidder	In the course of evaluation, if more than one bidder happens to occupy L-1 status, effective L-1 will be decided by soliciting discounts from the respective L-1 bidders. In case more than one bidder happens to occupy the L-1 status even after soliciting discounts, the L-1 bidder shall be decided by a toss / draw of lots, in the presence of the respective L-1 bidder(s) or their representative(s). Ranking will be done accordingly. BHEL's decision in such situations shall be final and binding.	
62.	Submission of Supplier registration Form	Not applicable	
63.	Limitation of Liability	"Notwithstanding anything to the contrary in this Contract or LOA or Work Order or any other mutually agreed document between the parties, the maximum liability, for damages, of the contractor, its servants or agents, shall under no circumstances exceed an amount equal to the Price of the Contract or the Work Order. Neither party shall be liable to the other for any indirect or consequential loss or damage, including but not limited to loss of use, loss of profits, or loss of contracts, or special, punitive, exemplary losses whatsoever, arising out of or in connection with this contract. This shall not be applicable on the recoveries made by Customer from BHEL on account of Contractor, any other type of recoveries for workmanship, material, T&P etc. due from the contractor."	
64.	Jurisdiction	Courts at Bengaluru shall alone have exclusive jurisdiction to adjudicate on any / all matters arising out of or concerning to this Contract	
65.	Governing Laws	The contract shall be governed by the Law for the time being in force in the Republic of India	
66.	No Interest Payable to Contractor	Notwithstanding anything to the contrary contained in any other document comprising in the Contract, no interest shall be payable by BHEL to Contractor on any moneys or balances including but not limited to the Security Deposit, Performance Security, EMD, Retention Money or the Final Bill, or any amount withheld and/or appropriated by BHEL etc., which becomes or as the case may be, is adjudged to be due from BHEL to Contractor whether under the Contract or otherwise.	
67.	Order of preference	The Purchase Order along with its Annexures the tender document (NIT), its amendments /corrigendum's shall all together constitute the entire contract between the Parties and shall be complementary to one another. In case of any contradiction, the order of precedence shall be as below: a. Purchase Order along with its Annexures and its Amendments b. Amendments/Clarifications/Corrigenda/Errata etc. issued in respect of the tender documents by BHEL. c. NIT	
68.	Special Note	Vendor who has been banned by BHEL or against whom action due to non-performance has been initiated by BHEL shall not be eligible for participation. Such offers will not be considered for evaluation and will be rejected. Bidders shall confirm acceptance of technical specification which is part of the tender document. Any deviation from technical specification can be rejected at BHEL's discretion.	
69.	Fraud Prevention Policy	Bidder along with its associate /collaborators /sub-contractors /sub-vendors / consultants / service providers shall strictly adhere to BHEL Fraud Prevention Policy displayed on BHEL website http://www.bhel.com and shall immediately bring to the notice of BHEL Management about any fraud or suspected fraud as soon as it comes to their notice.	
70.	Cartel Formation	The Bidder declares that they will not enter into any illegal or undisclosed agreement or understanding, whether formal or informal with other Bidder(s). This applies in particular to prices, specifications, certifications, subsidiary contracts, submission or non-submission of bids or any other actions to restrict competitiveness or to introduce cartelization in the bidding process. In case, the Bidder is found having indulged in above activities, suitable action shall be taken by BHEL as per extant policies/ guidelines	
71.	STRIKES & LOCKOUT	The contractor will be fully responsible for all disputes and other issues connected with his labour. In the event of the contractor's labour resorting to strike or the Contractor resorting to lockout and if the strike or lockout declared is not settled within a period of one month, it may be considered as 'Breach of Contract' under Clause 59 and the remedies under Clause 59 may be executed, at the discretion of BHEL.	
72.	Settlement of Disputes	Applicable as per Annexure-B. The Signed & Stamped copy of the Annexure A & B to be attached along with the offer as a mark of acceptance.	
73.	Change of Scope	In case of changes in scope of the tender and/ or technical specifications and commercial terms & conditions by BHEL during techno commercial evaluation and before Price bid Opening, the same will be communicated only to the bidders who have participated in the tender. The techno-commercially qualified bidders shall be asked to submit Impact Price bid, as applicable.	

	SOLAR BUSINESS DIVISION (Erstwhile known as Electric & Photovoltaic Division)	SPECIAL CONDITIONS OF CONTRACT (SCC) Revision No. 00	TENDER NO. RC/MP/NP/FAST/01 RATE CONTRACT FOR SUPPLY OF STUDS & INSERTS
74.	FORCE MAJEURE	<p>1. Force Majeure shall mean circumstance which is:</p> <ul style="list-style-type: none"> a) beyond control of either of the parties to contract, b) either of the parties could not reasonably have provided against the event before entering into the contract, c) having arisen, either of the parties could not reasonably have avoided or overcome, and d) is not substantially attributable to either of the parties and <p>Prevents the performance of the contract, Such circumstances include but shall not be limited to:</p> <ul style="list-style-type: none"> i) War, hostilities, invasion, act of foreign enemies. ii) Rebellion, terrorism, revolution, insurrection, military or usurped power, or civil war. iii) Riot, commotion or disorder by persons other than the contractor's personnel and other employees of the contractor and sub-contractors. iv) Strike or lockout not solely involving the contractor's personnel and other employees of the contractor and sub-contractors. v) Encountering munitions of war, explosive materials, ionizing radiation or contamination by radio-activity, except as may be attributable to the contractor's use of such munitions, explosives, radiation or radio-activity. vi) Natural catastrophes such as earthquake, tsunami, volcanic activity, hurricane or typhoon, flood, fire, cyclones etc. vii) Epidemic, pandemic etc. <p>2. The following events are explicitly excluded from Force Majeure and are solely the responsibilities of the non-performing party: a) any strike, work-to-rule action, go-slow or similar labour difficulty (b) late delivery of equipment or material (unless caused by Force Majeure event) and (c) economic hardship.</p> <p>3. If either party is prevented, hindered or delayed from or in performing any of its obligations under the Contract by an event of Force Majeure, then it shall notify the other in writing of the occurrence of such event and the circumstances thereof within 15 (fifteen) days after the occurrence of such event.</p> <p>4. The party who has given such notice shall be excused from the performance or punctual performance of its obligations under the Contract for so long as the relevant event of Force Majeure continues and to the extent that such party's performance is prevented, hindered or delayed. The Time for Completion shall be extended by a period of time equal to period of delay caused due to such Force Majeure event.</p> <p>5. Delay or non-performance by either party hereto caused by the occurrence of any event of Force Majeure shall not constitute a default or breach of the Contract, give rise to any claim for damages or additional cost expense occasioned thereby, if and to the extent that such delay or non-performance is caused by the occurrence of an event of Force Majeure.</p> <p>6. BHEL at its discretion may consider short closure of contract after 1 year of imposition of Force Majeure in line with extant guidelines. In any case, Supplier/Vendor cannot consider deemed short-closure after 1 year of imposition of Force Majeure</p>	
75.	SUSPENSION OF BUSINESS DEALINGS	<p>BHEL reserves the right to act against Contractors who either fail to perform or Tenderers/Contractor who indulge in malpractices, by suspending business dealings with them in line with BHEL guidelines issued from time to time. The offers of the bidders who are under suspension as also the offers of the bidders, who engage the services of the banned firms / principal / agents, shall be rejected. The list of banned firms is available on BHEL web site www.bhel.com</p> <p>If any bidder / supplier / contractor during pre-tendering / tendering / post tendering / award / execution / post-execution stage indulges in any act, including but not limited to, mal-practices, cheating, bribery, fraud or any other misconduct or formation of cartel so as to influence the bidding process or influence the price or tampers the tendering process or acts or omits in any manner which tantamount to an offence punishable under any provision of the Indian Penal Code, 1860 or any other law in force in India, or does anything which is actionable under the Guidelines for Suspension of Business dealings, action may be taken against such bidder / supplier / contractor as per extant guidelines of the company available on www.bhel.com and / or under applicable legal provisions. Guidelines for suspension of business dealings is available in the webpage: http://www.bhel.com/vendor_registration/vendor.php</p>	
76.	TDS u/s 194Q	<p>TDS u/s 194Q as applicable under Income Tax Act, 1961 or rules made thereunder shall be deducted from vendor's bill.</p> <p>Tax is required to be deducted at source by a purchaser of goods whose turnover for previous FY has exceeded Rs. 10 Crs.</p> <p>The seller should be a resident of India.</p> <p>TDS @ 0.1% shall be applicable on the amount paid / credited in case purchases from a seller exceeds Rs. 50 Lacs during a financial year. In case PAN of seller is not available or seller is a Specified person (Nonfiler), TDS shall be deducted @ 5%.</p> <p>This provision shall not be applicable where tax is deductible under any other provision of I.T Act, 1961. Also, in case a particular transaction qualifies for deduction of TDS u/s 194-Q and the purchaser has deducted the TDS then the same transaction shall not attract TCS u/s 206C(1H).</p>	

	SOLAR BUSINESS DIVISION (Erstwhile known as Electric & Photovoltaic Division)	SPECIAL CONDITIONS OF CONTRACT (SCC) Revision No. 00	TENDER NO. RC/MP/NP/FAST/01 RATE CONTRACT FOR SUPPLY OF STUDS & INSERTS
		W.e.f. 01.07.2021, as per the above-stated provisions of I. Tax Act,1961, BHEL HAVING PAN : AAACB4146P IS LIABLE TO DEDUCT TAX AT SOURCE UNDER SECTION 194Q OF THE INCOME TAX ACT AND ACCORDINGLY TDS AT APPLICABLE RATE ON THE PRESCRIBED VALUE UNDER SECTION 194Q WOULD BE DEDUCTED UNDER TAN : BLRB04342C BEFORE MAKING PAYMENT FOR PURCHASE OF GOODS.	



BHARAT HEAVY ELECTRICALS LIMITED
SOLAR BUSINESS DIVISION
PROF.C.N.R RAO CIRCLE, IISc POST
MALLESHWARAM, BENGALURU-560012

STANDARD QUALITY ASSURANCE PLAN

QP NO.: EPD_QP_NP_2021-22_0001

REV. NO.: 00

DATE: 07.04.2021

PAGE 1 OF 3

ITEM:

- 1.BRASS INSERT-3 986 60 00121 REV00
- 2.BRASS INSERT-3 986 60 00221 REV00
- 3.BRASS INSERT-3 986 60 00222 REV00
- 4.BRASS INSERT-3 987 60 00321 REV00

SL. NO	ITEM/ COMPONENT	CHARACTERISTICS	CLASS	TYPE OF CHECK	QUANTUM OF CHECK	REFERENCE DOCUMENT	ACCEPTANCE NORMS	FORMAT OF RECORD		AGENCY		REMARKS	
									D*	M	B		
1.	2.	3.	4.	5.	6.	7.	8.	9.	*	**	10.	11.	
A INSPECTION BY SUPPLIER AT THEIR WORKS													
A.1	Raw Material	Raw Material TC	Major	Documentation	100%	BHEL Drg./ ASTM B124/B124M - 20	BHEL Drg./ ASTM B124/B124M - 20	Supplier TC	V	V	V	*If Testing is done at Third Party Lab then Lab Must Be NABL Accredited	
A.2		Chemical Test	Major	Chemical	Once per incoming Raw material lot			Test Certificate	V	P	V		
A.3	In Process Inspection	Visual	Major	Physical	100%	BHEL Drg./ ASTM B689 - 97	Free from sharp corners, blisters, pits, cracks, shear bursts ,bursts ,fold, voids, tool marks, seams etc.	Inspection Report	V	P	V		
A.4		Gauge Inspection	Major	Physical	100%	BHEL Drg.	BHEL Drg.	Inspection Report	V	P	V		
A.5		Dimensions including diamond knurling	Major	Physical	10 per 1000 & part thereof			Inspection Report	V	P	V		
A.6		Nickel Plating Thickness	Major	Physical	100% however Min 3 per 1000 & part thereof to be reported			BHEL Drg./ ASTM B689 - 97	BHEL Drg./ ASTM B689 - 97	Nickel Plating report	V		P
A.7		Hardness	Major	Mechanical	Min 3 per 1000 & part thereof	BHEL Drg.	BHEL Drg.	Inspection Report	V	P	V		*If Testing is done at Third Party Lab then Lab Must Be NABL Accredited
A.8		Adhesion Test (Heat-Quench Test)	Major	Mechanical	Min 3 per 1000 & part thereof	ASTM B571-18	No peel off	Inspection Report	V	P	V		
B PRE DISPATCH INSPECTION AT VENDORS WORKS/ INSPECTION AT BHEL WORKS													

LEGEND: *D: RECORDS, IDENTIFIED WITH "TICK" (✓) SHALL BE ESSENTIALLY INCLUDED BY VENDOR IN QA DOCUMENTATION.

**** M:** MANUFACTURER/SUB-VENDOR, **B:** BHEL/BHEL NOMINATED INSPECTION AGENCY

P: PERFORM **W:** WITNESS AND **V:** VERIFICATION.


33

FOR BHEL USE

PREPARED BY: RANGAPPA B D

APPROVED BY: ADITYA KUMAR MOURYA

QUALITY ASSURANCE

 BHEL-SBD		BHARAT HEAVY ELECTRICALS LIMITED SOLAR BUSINESS DIVISION PROF.C.N.R RAO CIRCLE, IISc POST MALLESHWARAM, BENGALURU-560012			STANDARD QUALITY ASSURANCE PLAN ITEM: 1.BRASS INSERT-3 986 60 00121 REV00 2.BRASS INSERT-3 986 60 00221 REV00 3.BRASS INSERT-3 986 60 00222 REV00 4.BRASS INSERT-3 987 60 00321 REV00			QP NO.: EPD_QP_NP_2021-22_0001 REV. NO.: 00 DATE: 07.04.2021 PAGE 3 OF 3				
											SL. NO	ITEM/ COMPONENT
1.	2.	3.	4.	5.	6.	7.	8.	9.	D *	**	10.	11.

8. In case of pre-dispatch inspection, vendor shall raise the inspection call in the online portal URL: www.cqir.bhel.in with inspection agency as BHEL SBD and shall upload Test Certificates, Internal inspection Report as per this SQAP in CQIR Portal. Final Pre dispatch inspection report must contain joint inspection report, internal inspection report & Test certificates duly signed by inspector.

9. Original Test Certificates, Internal Tests Report (Duly Sealed & signed) as per this SQAP shall be sent along with lot for review.

LEGEND: *D: RECORDS, IDENTIFIED WITH "TICK" (✓) SHALL BE ESSENTIALLY INCLUDED BY VENDOR IN QA DOCUMENTATION. ** M: MANUFACTURER/SUB-VENDOR, B: BHEL/BHEL NOMINATED INSPECTION AGENCY P: PERFORM W: WITNESS AND V: VERIFICATION.	36			FOR BHEL USE		
	<i>B.D. Rangappa</i>		<i>Aditya</i>			
	PREPARED BY: RANGAPPA B D		APPROVED BY: ADITYA KUMAR MOURYA		QUALITY ASSURANCE	

STANDARD QUALITY ASSURANCE PLAN

QP NO.: EPD_QP_NP_2021-22_0002
 REV. NO.: 00
 DATE: 07.04.2021
 PAGE 2 OF 2

BHARAT HEAVY ELECTRICALS LIMITED
 SOLAR BUSINESS DIVISION
 PROF.C.N.R RAO CIRCLE, IISC POST
 MALLESHWARAM, BENGALURU-560012
 BHEL-SBD



SL. NO	ITEM/ COMPONENT	CHARACTERISTICS	CLASS	TYPE OF CHECK	QUANTUM OF CHECK	REFERENCE DOCUMENT	ACCEPTANCE NORMS	FORMAT OF RECORD			REMARKS	
								D	M	B		
1.	2.	3.	4.	5.	6.	7.	8.	9.	D	**	10.	11.
B.2	Steel insert	Gauge inspection	Major	Physical	IS:2500 Pt	BHEL Drg.	BHEL Drg.	Inspection Report	-	P/-	W/P	
B.3		Dimensions	Major	Physical	2 per 1000 & part thereof			Inspection Report	-	P/-	W/P	

Notes:

1. Hardness, Chemical composition may be checked by BHEL at random for any incoming lot. If any discrepancy is found lot will be rejected.
2. Material supplied shall be in line with BHEL Purchase Order, Technical Specification, Approved Drawings, applicable Standard References, or any other document/references.
3. For first time supply by the vendor, sample approval to be obtained before bulk manufacturing from BHEL Quality/Engg.
4. The SQAP shall be read in conjunction with BHEL Specification mentioned in Purchase Order and shall deem to include any additional tests as per the specification/Standard.
5. In case of any contradiction between this SQAP, BHEL Specifications the following precedence shall be followed:
 1st: BHEL Purchase Order Specification;
 2nd: This STANDARD QUALITY ASSURANCE PLAN & Applicable standard;
 3rd: Manufacturers plant standards
6. Packing shall be as per BHEL purchase order.
7. BHEL reserves the right for pre-dispatch inspection at vendor works by BHEL or BHEL nominated agency.
8. In case of pre-dispatch inspection, vendor shall raise the inspection call in the online portal URL: www.gqtr.bhel.in with inspection agency as BHEL SBD and shall upload Test Certificates, Internal inspection Report as per this SQAP in CQIR Portal. Final Pre dispatch inspection report must contain joint inspection report, internal inspection report & Test certificates duly signed by inspector.
9. Original Test Certificates, Internal Tests Report (Duly Sealed & signed) as per this SQAP shall be sent along with lot for review.

LEGEND: * D: RECORDS, IDENTIFIED WITH "TICK" (✓) SHALL BE ESSENTIALLY INCLUDED BY VENDOR IN QA DOCUMENTATION.		39	FOR BHEL USE
** M: MANUFACTURER/SUB-VENDOR, B: BHEL/BHEL NOMINATED INSPECTION AGENCY			
P: PERFORM W: WITNESS AND V: VERIFICATION.		<i>B.0.1.2</i>	
APPROVED BY: ADITYA KUMAR MOURYA	<i>[Signature]</i>	PREPARED BY: RANGAPPA B D	
ASSURANCE QUALITY			

UN-PRICED PRICE BID FORMAT (ITEMWISE EVALUATION)

RATE CONTRACT FOR SUPPLY OF STUDS & INSERTS

Tender No. RC/MP/NP/FAST/01

S.No.	MAT CODE	DESCRIPTION	Qty Required	Quoted / Not-quoted [TO BE MENTIONED]	GST % (Bidder to mention)	HSN CODE (Bidder to mention)
1	EL9600321000	Ni.PLATED BRASS INS INSERTS 39876000321	14000			
2	EL9600222002	Ni.PLATED BRASS INS INSERTS 39876000221	1200			
3	EL9600221006	Ni.PLATED BRASS INS INSERTS 39876000222	1200			
4	EL9600121001	Ni.PLATED BRASS INS INSERTS 39876000121	18000			
5	EL1070004219	M8 STEEL STUD 4 987 60 00421 LOCO & ACEMU	13000			
6	EL1070004227	M8 STEEL INSERT 4 987 60 00422 ACEMU	14000			
7	EL1070004235	M8 STEEL STUD 4 987 60 00423 ACEMU	700			
8	EL1070004278	M10STEEL INSERT49876000427TRACTION&ACEMU	6500			
9	EL1070004243	M8 steel insert for 32 dia ACEMU (M-F & F-F) 4 987 60 0042	600			

NOTE

1	Bidder shall not mention any price in above table
2	ITEM TO BE OFFERED AS PER BHEL TECHNICAL SPECIFICATION/DRAWINGS
3	In the main Price_Bid_BoQ (Price schedule), vendors are requested to quote Unit Prices inclusive of Packing, Forwarding & Freight charges. (If not quoting for any item, vendor may leave the cell blank against the same item).