



**BHARAT HEAVY ELECTRICALS LIMITED
RAMACHANDRAPURAM: HYDERABAD 32
SWITCHGEAR-SUBCONTRACT DEPARTMENT**

Notice Inviting Tender(NIT)

Tender Enquiry No: G9AWS00015

Dtd. 11.09.2023

E-Tenders are invited on Two Part Bid basis for Gas Hole Drilling of Tip Fuel Nozzle as per Scope of work & drawings with BHEL Free Issue Material.

General:

1. The tender will be under two-part bid system. The first part will be Techno-Commercial Bid and the second part will be Price Bid. Price bids of only those vendors shall be opened who qualify in Techno-Commercial bid.
2. **Mode of Submission of offer:** Being e-tender, offers shall be submitted online only through e-tender portal: <https://eprocurebhel.co.in/nicgep/app>

Important dates are given below:

EVENT	SCHEDULE
Last date & time for receipt of tender:	Date: 22.09.2023 & Time: 11.00Hrs (IST)
Tender opening date & time:	Date: 22.09.2023 & Time: 14.00 hrs (IST)

3. E-procurement Service Provider details:

In case of any difficulty faced while registering on BHEL's e-Procurement portal developed by NIC, queries may be addressed to email ID and Contact No provided below. These details are also available on 'Contact Us' page of the portal

SNo.	Email Id	Contact No.
1	support-eproc@nic.in	0120-4001002, 0120-4001005, 0120-6277787

The process of utilizing e-procurement necessitates usage of DSC (Digital Signature Certificate) (Class 3- SHA2- 2048 BIT SIGNING & ENCRYPTION) and vendors are requested to procure the same immediately, if not presently available with them. Please note that only with DSC, vendor will be able to login the e-procurement secured site and participate in the tendering process.

4. Offers shall be submitted on e-procurement portal only. Hard copy of offer is not required to be submitted to BHEL HPEP. **Any offer received in hard copy will not be accepted and will straightway be rejected by BHEL HPEP.**



**BHARAT HEAVY ELECTRICALS LIMITED
RAMACHANDRAPURAM: HYDERABAD 32
SWITCHGEAR-SUBCONTRACT DEPARTMENT**

5. Offer shall be submitted as per the instructions of tender document and as detailed in this NIT. Price shall not be mentioned anywhere in Techno-Commercial offer. Price shall be furnished in the relevant price schedule only. In case of any clarification, bidder may contact us.

6. **Tender Fee & EMD: NIL**

7. **Item Description and Scope of Supply:**

SNo.	Item Description	UoM	Qty.	Terms of Delivery
10	TIP F/N GAS, DIA 5.21x8, With Cent Hole	EACH	10	F.O.R BHEL-HYD
20	TIP, F/N GAS, 5.05x8 with Center Hole	EACH	30	
30	TIP, F/N, Dia 5.18 x 8, With Center Hole	EACH	6	

8. **Terms and Conditions**

All Technical and commercial terms and conditions will be as per Techno-Commercial Bid Annexure-A.

Other terms will be as per ITB Rev13.

9. **Special Conditions of Enquiry**

- a) Vendor Must meet all the requirements of attached PQC.
- b) Participating firm's factory location where the job shall be processed must be within a radius of **50 kms** from BHEL, HPEP Hyderabad.
- c) Currency for evaluation of this tender enquiry is INR.

10. **Attachment to Tender Enquiry:**

SNo.	Description	Annexure/Enclosure
1.	Techno-Commercial Terms and Conditions and Scope of Job.	Annexure-A to be submitted
2.	Instructions to Bidders	ITB-13 to be submitted
3.	Price Bid	Annexure-B/BOQ to be submitted
4.	Pre-Qualification Criteria(PQC)	PQC to be submitted
5.	Drawings & Process sheets.	

11. **Contact person details:**

Sri Naveen. B

Sr. Engineer / Switchgear-Subcontract

Phone: 040-2318-3088, 040-23818-5033


Mob: 9866528065

E-mail: srinaveen@bhel.in

PRE-QUALIFICATION CRITERIA FOR HOLE DRILLING OF TIP FUEL NOZZLES

The bidder has to compulsorily meet the qualifying criteria indicated in section-1 to get qualified. Otherwise the technical offer will not be considered.

1	Name, address, e-mail id, contact no.etc. of vendor.	
Section-1		
Sl No	Requirement	Vendors Response
1.1	Only those vendors shall quote who mandatorily meets the clause nos: 1.2 to 1.5	
1.2	Vendor should have in house facility of CNC milling machine. Vendor should perform angled holes on tapered face with precise tolerances like Hole dia within +/-0.02 and angle tolerance withing +/-0.5deg.	
1.3	Vendor should have performed drilling operation at an angle on conical surfaces of SS-316 material with smaller dia holes ranges from 2 to 6 mm and tolerance +/-0.02, angular tolerance of +/-0.5deg. Vendor shall submit such PO copies executed from last 5 years.	
1.4	Vendor shall not outsource drilling operation to other parties.	
1.5	BHEL reserves the right to accept or reject the offer based on the assesment of their technical capability. BHEL reserves the right to verify the information provided by the vendor by taking feed back or by visit to vendor works. In case the information provided by the vendor is found to be false / incorrect, the offer shall be rejected.	
Section-2		
Sl No	Requirement	Vendors Response
2.1	Vendor should provide list of machinery aviable at his works	


 7/9/2023
 శ్రీ చంద్ర ప్రకాశ్ రెడ్డి సోల్జ్ సొల్యూషన్స్ ప్రైవేట్ లిమిటెడ్
CH SANMUKHA RAO
 అధ్యక్షుడు / ప్రొడ్యూసింగ్ - స్విచ్గియర్
 Engineer / Technology - Switchgear
 భీమవరం, తెలంగాణ-501502 BHEL-HPEP, HYD-32

ANNEXURE-A

TECHNO-COMMERCIAL BID FOR GAS HOLE DRILLING OF TIP FUEL NOZZLE.

ENQUIRY REF: G9AWS00015/DT:11.09.2023

Note: Vendors are requested to fill the format in compliance with the tender specific terms and submit as Techno-Commercial bid. Techno-Commercial Bids are evaluated in line with the each criteria terms and only those price bids are opened, who meets all the Techno-Commercial bid requirements.

Sl.	Criteria	Techno-Commercial Term	Sub-Contractor Acceptance
1	Scope of work of the job	The job to done as per BHEL Drawing and Process Sheet. See the annexure-1 for detailed scope.	
2	Raw material scope	The required Raw Material will be supplied by BHEL as free issue to the vendor . Normally the optimum sizes of the Raw Material will be supplied as per drawing and process sheet. On non- availability of the specified size raw material, BHEL may issue the higher size material. However, on account of higher size raw material, no additional amount for machining/fabrication will be paid to vendor. Further, increase in delivery period shall not be allowed due to higher size raw material.	
3	Evaluation	To meet the delivery requirement, the Sub-contract order for 100% Quantity of Each item shall be placed on respective L1 Vendor. L1 vendor shall be finalized, based on quoted rates, in the order of lowest to higher rate. Note: L1 Evaluation is Item wise.	
4	Delivery period	Within 28 days from the date of free issue material from BHEL.	
5	Scrap	Scrap recovery will be done as per BHEL Hyd Norms.	
6	Tools/Cutters /Gauges /Measuring Instruments	All Tools/Cutters/guages / Measuring Instruments are in Vendor's scope. All guages and measuring instruments shall have valid calibration certificates.	
7	Validity	The quotation shall be valid at least for a period of 90 days from the date of technical bid opening date.	
8	Inspection	After completion of the job, the same shall be offered for inspection by BHEL at VENDOR works along with dimensional reports.	
9	Transportation	Free issue material shall be supplied to vendor's works at BHEL's cost and dispatching the finished Item will be in vendor's scope, that means the charges of delivering the job to BHEL's store to be borne by vendor.	
10	Delivery Destination	Delivery condition to F. O. R. destination to BHEL,R.C.PURAM-HYDERABAD-32	
11	Preservation and Packing.	Finished materials are to be preserved with oil/preserving agents for delivery to BHEL. The cost of preservation and packing shall be included in each price quoted.	
12	Penalty	In the event of delay in supply of goods, penalty of 0.5% per week or part there of shall be levied on the undelivered portion subject to a maximum of 10% of the total order value.	
13	ITB Conditions	Acceptance for all applicable Terms & Conditions of ITB Rev.13. FILLED & SIGNED ITB DOCUMENT IS TO BE SUBMITTED ALONG WITH TECHNO-COMMERCIAL BID (ANNEXURE-A)	
14	Firm price clause	The quoted price shall be firm till the complete execution of the subcontract order and no escalation of any account will be admissible.	
15	Tie of Prices	In course of evaluation, if more than one bidder happens to occupy L1 status, effective L1 will be decided by soliciting discounts from the respective L1 bidders. In case of more than one bidder happens to occupy the L1 status even after soliciting discounts, the L1 bidder shall be decided by a toss/draw of lots, in the presence of the respective L1 bidders or their representative. Ranking will be done accordingly. BHEL's decision in such situation shall be final and binding.	

Sl.	Criteria	Techno-Commercial Term	Sub-Contractor Acceptance
16	BANK GUARANTEE	BG is required against free issue material as per following condition: 10% of the material value is required as Bank Guarantee. BG shall be valid for atleast 1 year and shall be as per BHEL prescribed format only. BG shall be submitted within 14 days from PO placement date. Note: Bank Guarantee can be submitted in the form of FDR also.	
17	RISK PURCHASE	These items are required for project where delivery is very critical and timely delivery is essence of this contract. In case, any vendor approved for the proposed framework agreement fails to accept/execute the order, BHEL may get the job done through other sources at the risk and cost of those vendors and the extra expenditure involved shall be recovered from these vendors from any amount due to them. Also, BHEL may suspend business dealing with such vendors as per BHEL's guidelines for Suspension of Business Dealings with Suppliers/Contractors.	
18	Payment	a) Micro & Small Enterprises (MSEs)- 100% Direct EFT payment within 45 Days. b) Medium Enterprises- 100% Direct EFT payment within 60 Days. c) Non MSME Bidders- 100% Direct EFT payment within 90 Days. NOTE: i) Above due date is reckoned from the date of Receipt of material or Invoice date whichever is later. Payment will be made on acceptance of Material. ii) MSEs (covered under MSME Act) need to register and renew periodically and update the same with BHEL. iii) The taxes that are reimbursed are limited to applicable taxes are on the Purchase Order delivery date or the amount actually paid whichever is less. iv) Adherence to the above time schedule of payment is contingent upon Bidder complying with GST provisions and availment of input Tax Credit by BHEL before the date of payment.	
19	TAXES	-Job worker to provide Tax invoice to BHEL and GST at applicable rates on the services charges will be paid to Job worker against GST compliance and on availment of Input Tax credit by BHEL. -TDS as per the extant statutes shall be deducted. -In case bidder does not provide PAN details, higher rate of tax shall be deducted as per the Act. -Concessional certificates, if any, should be provide well in time for lower tax deduction.	
20	Defects after receipt of finished components	On receipt of finished items at destination, if any mfg. defects are noticed, the same shall be attended to by the vendor at their own cost without any delay.	
21	Discretion clause	BHEL RESERVES THE RIGHT TO ACCEPT OR REJECT ANY OFFER PARTLY OR FULLY AT ITS DISCRETION WITHOUT ASSIGNING ANY REASON	
22	Force majeure clause	Force majeure clause will be applicable only in case of earthquakes, floods, riots or any act of God beyond control of the contractor. Breakdown of equipment shall not be considered as force majeure	
23	Arbitration	Arbitration : all disputes arising out of this contract shall be referred to the Unit Head, HPEP, BHEL R.C.Puram, Hyderabad 502032, or his authorized representative for arbitration and his decision shall be final and binding.	
24	Jurisdiction	Jurisdiction : In case of any suit or other legal proceedings arising under or relating to the contract, the courts at Sangareddy District, Telanagana only shall have the jurisdiction and this will be resorted only after exhausting the arbitration clause as above.	
25	Other GENERAL terms & Conditions	Acceptance to all other BHEL general terms and conditions as mention in the enquiry/guidelines document.	

Sl.	Criteria	Techno-Commercial Term	Sub-Contractor Acceptance
		Annexure-I	
Sl.no	Job details	Scope of Supply	Sub-Contractor Acceptance
10	23540651006-05, TIP F/N GAS, DIA 5.21x8, With Cent Hole, Qty : 10nos	BHEL's Scope: 1. Items shall be supplied as free issue by BHEL. Transportation of raw material from BHEL to Vendor works is in BHEL scope. 2. Item Inspection shall be carried out by BHEL. Vendor's Scope: For Item 10 to 30, Gas hole drilling operation as per BHEL Technological process sheet and drawings.	
20	23540651006-06E, TIP, F/N GAS, 5.05x8 with Center Hole, Qty : 30nos		
30	13540651004-21E, TIP, F/N, Dia 5.18 x 8, With Center Hole, Qty : 6nos		



(Attachment to Enquiry No. XXXXXXXXXXXX Due on Date XX.XX.XXXX for submission by 11.00 hrs to open from 14.00 hrs.)		
INSTRUCTIONS TO BIDDER (ITB)		
NOTE: Bidder to confirm in affirmative by typing "YES" or "Applicable Data" in the response column. Deviations, if any shall be recorded in deviations/comments column (Separate sheet can be attached if needed). Non deviatable clauses are indicated as "NON DEVIATABLE".		
Sl. No.	DETAILED TERMS & CONDITIONS	BIDDER RESPONSE (YES/NO) / DEVIATIONS / COMMENT
1	SCOPE OF SUPPLY:	
	Signed & Sealed offers are invited for the Scope of Supply of goods or services or both as detailed in the enquiry. Relevant enclosures/supporting documents / catalogue, if any shall be enclosed to the technical offer.	
2	DEFINITIONS	
A	'The Buyer' means BHEL-HPEP, Ramachandrapuram, Hyderabad-502 032 of Bharat Heavy Electricals Limited (A Govt. of India Undertaking) incorporated under the companies Act having its registered office at BHEL House, Siri fort, New Delhi-110049, India and shall be deemed to include its successors and assigns. It may also be referred to as BHEL.	
B	'The Bidder' means the persons, firm, company or organization on whom the Purchase order is placed and shall be deemed to include the bidder's successors, representatives, heirs, executors and administrator as the case may be. It may also be referred to as Contractor, supplier or bidder.	
C	'Contract' shall mean and include the Purchase order incorporating various documents viz., Notice Inviting Tender (NIT), Offer, Letter Of Intent/Acceptance (LOI/LOA), Instruction to Bidders (ITB) and Special Conditions of Contract (SCC), specifications, inspection/quality plan, schedule of prices and quantities, drawings, if any, enclosed by Bidder/ provided by the Buyer or his authorized nominee and the samples or patterns if any to be provided under the provision of the contract. In case of any inconsistency or contradiction between any of the documents, the order of precedence shall be Purchase Order, LOI/LOA followed by Minutes Of Meeting (MOM), NIT, SCC, ITB.	
D	'Parties to the contract' shall mean the bidder and the buyer as named in the main body of the Purchase Order.	
E	'Goods/Material' shall include Works and Services which are incidental or consequential to supply.	
3	GENERAL INSTRUCTIONS:	
A	Mode of submission of offer shall be as indicated in SCC	Non Deviatable
B	The quotation should be neatly typed and free from over writing/ erasures. Any correction or addition must be authenticated. The offer including annexures and brochures should be submitted in English / Hindi. All Pages of Techno Commercial Bids (Main Pages), ITB, SCC should be signed and Stamped. If there is a conflict in case of bilingual submission, the submission in English will be final. Prices shall be quoted both in figures and words. In case of any discrepancy in value, the prices quoted in words shall be considered for evaluation and establishing L1 Status. Any discount / revised offer / bids submitted by a bidder on his own shall be considered, provided it is received on or before the due date and time of offer / bid submission (Part-1). Conditional discounts shall not be considered for evaluation of tenders.	Non Deviatable
C	Incomplete offers are liable for rejection.	Non Deviatable
D	Bidders to please note that the Terms & conditions contained in this document and SCC are to be read fully before submission of quotations.	Non Deviatable
E	Bidders are advised to comply with ITB and SCC, should there be any deviations (where deviations are permitted), it shall be entered in the deviation column. BHEL reserves the right to reject such offers or load the bid suitably for evaluation.	Non Deviatable
F	Offers shall be submitted directly, only by the bidder or by their authorized representative / agent and the offer should be in line with the regulatory guidelines (i.e. A valid Agency agreement between principal bidder and agent / representative shall be attached and the agreement shall cover the scope of services rendered by Agent, Agency Commission and any other information called for as per the regulatory guidelines). OEM / Mill details shall be provided if bidder is not a manufacturer. Bid envelopes shall bear the name of Bidder. In case of submission through authorized representative/agent, the name of representative/agent should also be mentioned apart from bidder name.	Non Deviatable
G	Offer received after the specified time and date of submission will be rejected. No further correspondence shall be entertained.	Non Deviatable
H	Unsolicited offers will not be considered.	Non Deviatable
4	OTHER PARTICULARS (Please indicate applicable data)	
A	Name of the Bid currency (freely tradable foreign currency for imports and Indian Rupees for indigenous purchase).	
B	Name of the Port of loading and Port of Discharge (applicable to imports).	



5	BID SUBMISSION PROCEDURE FOR CONVENTIONAL TENDER:	
A	For Single Part Bids:	
	The complete bid shall be submitted in a single sealed cover superscribing the Tender number and due date, addressed to Sr DGM/CMM, Vendor Complex, BHEL, Hyderabad and sent by appropriate mode to above address or dropped in tender box located at vendor complex on or before the specified time and date of submission of offers, preferably in the bidder's envelope. E- mail bids shall be sent to mail ID pricebid_hyd@bhel.in only as an attachment.	Non Deviatable
B.	For two-Part Bids:	
i	<p>The offer is to be submitted in two parts viz., Techno-commercial Bid - (Part-I), with all technical specification & scope including bill of material etc., Earnest Money Deposit (EMD)(wherever applicable) and unpriced bid with all applicable Commercial Terms and Conditions, rates of agency commission, duties, taxes and other charges, Signed and Stamped ITB and SCC, <u>except the price</u>, shall be kept in a separate sealed cover, superscribing enquiry No. (Techno-Commercial Bid) and due date AND Price Bid (Part-II), containing ONLY the price (including agency commission, if any) and the applicable duties/taxes/other charges shall be kept in a separate sealed cover superscribing Enquiry no. (Price bid) & due date.</p> <p>Both the above covers (Part –I & II) shall be kept in a Third cover superscribing Enquiry no. & due date.</p> <p>Bidder can also submit offer through email. Technical offer to be submitted to mail ID technicalbid_hyd@bhel.in, and price bid to be submitted to mail ID pricebid_hyd@bhel.in only as an attachment. Interchanging the information in the mails may lead to rejection of the offer. Bidder shall have no claim on e-mail offers sent to any other e-mail ID.</p> <p>In case of e-mail offers, the mail subject should contain Enquiry Number, Due date and Bidder name. Bidder address including contact details shall be mentioned in the content of the mail. Without these details, the offer is liable for rejection.</p> <p>All techno commercial terms & conditions mutually agreed prior to price bid opening shall prevail and supersede any terms and conditions specified otherwise in price bid.</p>	Non Deviatable
ii	The bidders whose bids are techno commercially not accepted will be informed and EMD shall be returned wherever submitted.	
iii	Bidders will be allowed to submit the impact on their quoted prices due to changes in technical scope, specifications, and commercial terms/conditions as specified in NIT which in the opinion of BHEL , warrant changes in prices.	Non Deviatable
C	Bids shall be opened on due time and date in the presence of bidders who may like to be present. Only one representative of each bidder shall be permitted to attend the bid opening. Only the price bids of bidder (in case of two part bid) whose techno commercial bids are accepted will be opened later on a specified date.	Non Deviatable
6	DELIVERY TERMS	
A	Indigenous Purchase	
	<p>a. Terms of Delivery for dispatches to BHEL Hyderabad (HPEP) shall be FOR Destination.</p> <p>b. Terms of Delivery for Direct Dispatch (DD) items shall be Ex Works.</p> <p>i. In case specified in SCC that insurance is in customer/BHEL scope, price quoted shall include Freight charges up to Destination.</p> <p>ii. Otherwise, price quoted shall include Freight and Insurance upto Destination. However, beneficiary for insurance shall be BHEL.</p>	
B.	Imports	
	The goods shall be delivered on FCA capital airport basis in case of freight by Air and CIP basis in case of freight by Sea.	
7	Documentation for Payment	
A	Indigenous Purchase	
	<p>Following documents shall be submitted immediately on dispatch of material to BHEL HPEP / Site</p> <p>a. Original Tax Invoice (Refer ITB clause no 11 for Tax Compliance)</p> <p>b. Packing List - clearly showing number of packages, gross weight and net weight.</p> <p>c. Test/Warranty/Guarantee certificates, O&M Manual (If specified in SCC)</p> <p>d. Insurance intimation/declaration certificate</p> <p>e. Pre-dispatch Inspection report /Third Party Inspection Certificates.</p> <p>f. Consignee copy of LR signed & stamped by Customer/Site representative for DD Items</p> <p>g. e-waybill</p> <p>h. Any other documents as specified in SCC.</p> <p>Softcopies of the above documents shall be uploaded in Pradan portal https://hpep.bhel.com/mm immediately after dispatch of the material.</p>	Non Deviatable

<p>B Imports</p> <p>i) Bidder shall inform BHEL the readiness of material along with packing details 30 days in advance from the date of delivery. For Hazardous cargo/DG cargo, supplier must provide the following documents prior to handing over shipment to freight forwarder, wherever freight is in BHEL scope:</p> <ol style="list-style-type: none">1. Valid MSDS2. DGD certificate with appropriate UN numbers.3. Labelling and marking on DG cargo along with photo of packaging.4. Self-declaration for consignment5. Packaging Certificate as per DG Standards6. TSA Approved Truckers details to be provided to forwarder at the time of shipment <p>In addition to the above, supplier should ensure to comply all IATA DG regulations, if any new requirement is added in future.</p> <p>ii). Bidder shall also upload the soft copy of the dispatch documents consisting of BL / AWB, Invoice, delivery note, packing list, country of origin & Test certificates and other documents as specifically indicated in the SCC in PRADAN Portal (https://hpep.bhel.com/mm) within Five days from the B/L date for sea shipment and One day from AWB date for Air shipment and sent to email ids: mssea@bhel.in, msair@bhel.in, cmmfe@bhel.in.</p> <p>iii) AWB/BL must contain the information of BHEL GST no., and PAN no.</p> <p>iv) Air Shipments: Bidder shall ensure the following</p> <ol style="list-style-type: none">a) Port of discharge -- Mumbai/Chennai/Hyderabad (as indicated in SCC).b) Consignee shall be BHEL, Hyderabad. Material shall be air freighted through cargo mode only and not through Courier.c) Upon handing over the cargo to the forwarder, bidder shall ensure the acknowledgement receipt with wordings "Cargo handed over in sound condition for Air freighting". Note: Warehouse receipt will not be considered for penalty calculations.d) In case of CIF/ shipments, bidder shall also inform BHEL the information about discharge port agent details and cargo arrival information within one day from the date of Shipment.e) Following dimensions of single package may be noted.<ol style="list-style-type: none">i). Maximum dimension of the cargo(ODC) -- 125" x 88" x 63"ii). Maximum weight of the cargo -- 3.5 MT.If any package dimension or weight exceeds the above set limits, it will be treated as Over Dimension Cargo (ODC) or Over Weight Cargo and bidder shall inform BHEL 30 days in advance to the delivery date to enable BHEL to finalize the freight forwarder.f). If package falls under Hazardous category, bidder shall communicate BHEL 30 days in advance period with document support. <p>v) Sea Shipments:- bidder shall ensure the following</p> <ol style="list-style-type: none">a). Port of discharge -- Nhavaseva/Mumbai/Chennai.b). Place of Delivery / Final Destination for CIP shipments - Nhavaseva CFS / Chennai CFS.c). In case of FOB shipments, bidder shall handover the material to BHEL nominated forwarder and obtain the cargo receipt.d). If the material cannot be containerized in 20 or 40 GP containers, an advance information of 30 days prior to the delivery date shall be communicated to BHEL for necessary arrangements and finalisation of freight forwarder.e). For CIP shipments<ol style="list-style-type: none">1. In case of FCL shipments, Detention free period must be 14 days.2. Bidder shall also inform BHEL the information about discharge port agent details and cargo arrival information within 5 days from the date of Shipment.3. No charges for the services rendered till place of destination will be payable by BHEL. In case liner / forwarder insist for charges, not in the scope of BHEL, the same will be adjusted from bidder account.4. In case of CIF shipments -- Bidder must select a forwarder/liner whose discharge port published tariff for THC and other services is available. Any charges over and above the published tariff will not be borne by BHEL or will be adjusted from the bidder's bill.5. bidder must insure the cargo for 110% of material value including the freight amount. <p>(vi). Recovery charges for non-submission of documents: - Bidder shall submit all the required documents to BHEL as prescribed in the Purchase order and NIT.</p> <p>If BHEL incurs any charges such as Penalty, demurrage, container detention, wharfage, storage, Ground rent etc., due to non - compliance / non - submission of documents prescribed in Purchase Order/ NIT/Letter of credit, the same shall be recovered from the bidder as under:</p> <ol style="list-style-type: none">1. EUROPE/USA/Black Sea/ Far East/Middle East/South East sector <p>A. For FOB Sea Consignments:-</p> <p>Penalty for late submission / negotiation of documents beyond 14 days shall be as under:</p>

Sl. no	Period (From Date of Bill of Lading)	Recoverable Charges		Recoverable Charges per day per container	
		LCL Break per day	per week/ bulk cargo	20FT Container	40FT Container
i	Upto 14th day	Nil		Nil	Nil
ii	15th day onward	USD 10		USD 110	USD 200

B. For CIP Sea Shipments: -
 Bidder shall provide rates for detention charges after free period at the time of offer itself in case of engagement of 20FT Container and 40FT category. In case of late presentation of documents to the bank recovery will be effected from the Bidder as per the rates quoted by the Bidder at the time of offer in this regard.
 In case of Break bulk cargo and LCL, Demurrage charges shall be recovered at the rate of USD 1 per Ton per day and storage charges at the rate of USD 10 per week respectively shall be charged as late presentation charges.

(vii) Description of items in invoice, packing list, BL / AWB or LR shall be same as PO item description. Bidders shall ensure that invoice shall contain PAN nos. of both bidder and BHEL along with other tax related numbers. BHEL PAN AAACB4146P and BHEL TAN HYDB00086C Any other additional documents sought by the statutory authorities, the same shall be produced by the bidder on priority basis.

(viii) Bidder shall provide package details including number of packages, gross weight, net weight etc.

(ix) The bidder shall provide the following documents at the time of submission of offer:
 a) No Business Connection in India declaration issued by the bidder as per the format specified. (or)
 b) (i) No Permanent Establishment in India declaration issued by the bidder as per the format specified.
 (ii) Tax Residence Certificate issued by the bidder's tax authorities.
 (iii) Form 10F, as attached in Annexure V, to be issued by the bidder.
 c) In case the bidder has a Business Connection in India as per Section 9 of Income Tax Act or significant economic presence in India as per rule 11 UD of IT Act or Permanent Establishment in India as per Article 5 of Double Taxation Avoidance Agreement between India and the bidder's country, the bidder shall provide a withholding tax order issued by the Indian Income Tax authority for recovery of applicable tax.

8	Delivery Schedule		
	The tendered goods shall be delivered within the period stipulated in NIT/ SCC as accepted. Inordinate delay/early supply are liable for rejection/ Hold on payment.		Non Deviatable
9	Pricing Terms		
	Quoted price shall be inclusive of Packing & Forwarding and shall remain firm and valid during the execution of PO. Offers with PVC will be rejected outright except in cases where specifically called for in the SCC.		Non Deviatable
10	PRICE VALIDITY :		
	Unless otherwise specified, offer shall be valid for a period of 90 days from the date of bid opening (Technical bid /part-I in case of two part bid). However the prices quoted for spare parts of the Main equipment shall be kept valid for a period as specified in SCC.		Non Deviatable
11	Taxes & Duties (RATE TO BE INDICATED by the bidder against the space provided)		

A	<p>Indigenous Purchase</p> <p>i) Only valid GST registered bidders will be considered for the tender. The GSTIN of the bidder should be clearly mentioned in the offer.</p> <p>ii) If bidder is exempted from GST registration under any provision of the GST Law, a declaration with due supporting documents should be furnished for considering the offer.</p> <p>iii) Bidder to quote the applicable taxes in the following manner:</p> <ul style="list-style-type: none"> - Harmonized System of Nomenclature (HSN) of Goods - Services Accounting Code(SAC) of Services. - IGST/CGST/SGST/UTGST: Rate of Tax to be quoted as extra in % against the space provided <p>iv) Bidders to ensure correct applicability of IGST/CGST/SGST/UTGST based on the Inter / Intra state movement of goods/services.</p> <p>v) In case Bidder has opted for GST Composition Scheme, the same may be stated explicitly both in their technical and price bids. An undertaking to the effect that any change in the status of the bidder will be intimated.</p> <p>vi) Any other taxes & duties not covered anywhere above may be indicated separately.</p> <p>Taxes deducted at source:</p> <ul style="list-style-type: none"> - TDS as per the extant statutes shall be deducted. - In case bidder does not provide PAN details, higher rate of tax shall be deducted as per the Act. - Concessional certificates, if any, should be provided well in time for lower deduction of tax. 		Non Deviatable
	<p>Terms & Conditions to be complied</p> <ol style="list-style-type: none"> 1. All invoices (incl. Credit Notes, Debit Notes) to contain BHEL HPEP GSTIN ie 36AAACB4146P1ZG. Invoices submitted should be in the format as specified under GST Law. All details as mentioned in Invoice Rules including Dealer GST registration number (GSTIN), invoice number with date of issue, quantity, rate, value, taxes with nomenclature – CGST, SGST, UGST, IGST mentioned separately, HSN Code / SAC Code etc. 2. Reimbursement of GST amount will be made only upon completion of the following: <ol style="list-style-type: none"> i. Bidder declaring such invoice in their GSTR-1 Return/ IFF ii. Receipt of Goods or Services and Submission of Tax invoice by BHEL iii. The tax invoice is reflected in the GSTR2B of BHEL, HPEP (buyer). Payment of GST will be made only if it is matching with data uploaded by the Bidder in GST portal. 3. In case of discrepancy in the data uploaded by the bidder in the GSTN portal vis-a-vis the tax invoice or in case of any shortages or rejection in the supply, then BHEL will not be able to avail the tax credit. The same would be available in PRADAN Portal for the bidder's information. Bidder has to rectify the data discrepancy in the GSTN portal or issue credit note or debit note (details also to be uploaded in GSTN portal) for the shortages or rejections in the supplies or additional claims for processing of such invoices. 4. In cases where invoice details have been uploaded by the bidder but failed to remit the GST amount to GST Department within stipulated time, then GST on the invoices in default will be recovered from the bidder along with the applicable interest. 5. In case GST credit is delayed/denied to BHEL due to non/delayed receipt of goods and/or tax invoice or expiry of timeline prescribed in GST law for availing such ITC, or any other reasons not attributable to BHEL, such GST amount will be recoverable from bidder along with interest levied/leviable on BHEL. 6. GST TDS deducted as per GST Act, is uploaded in GSTN portal along GSTR7. Bidders can directly download the GST TDS Certificate from the GSTN Portal. 7. Bidders to note that Rules & Regulations pertaining to E-way bill system are to be strictly adhered to, as and when notified by Govt. authorities. 8. Vendors who fall under the E-Invoice regulations, i.e., having an annual turnover of Rs. 10 crores (Rs 5 crore w.e.f 01.08.2023) in the previous year shall issue e-invoice in line with Rule 48(4) of CGST Rules failing which GST amount will not be reimbursed to the vendor even if the other requirements are fulfilled. 9. In case the vendor is exempted by the GST department under the Rule 48(4) of CGST Rules from issuing E-invoice, a declaration as prescribed in the Notification 17/2022 - Central Tax dated 01-08-2022 shall be provided on the invoice. 10. Vendors who do not fall under the E-Invoice regulations, i.e., whose annual turnover is less than Rs. 10 crores (Rs 5 crore w.e.f 01.08.2023) in the previous year have to give an undertaking indemnifying BHEL that the vendor is not falling under the E-invoice requirement category and that in case of any breach of this E-invoicing requirement, the vendor indemnifies BHEL of any consequences that may arise due to such a breach. 11. No GST shall be levied on liquidated damages / penalty. 		
B.	<p>Foreign Purchase (Imports)</p>		



	<p>The offered price shall be inclusive of all the Taxes and duties as applicable in country of export / country of dispatch for the quoted price. Taxes deducted at source: a. In case of goods or services subject to Income tax in India, such tax as per the extant statute shall be recovered. b. In case bidder does not provide necessary documents for beneficial taxation (Refer clause 7-B-(ix) a-c of ITB), the TDS deduction shall be at the maximum percentage stipulated as per the provisions of Income Tax Act.</p>		Non Deviatable
12 Payment Terms: Unless otherwise specified in SCC, following shall be the terms of Payment.			
A	<p>Indigenous: a. Micro & Small Enterprises (MSEs) - 100% Direct EFT payment within 45 days b. Medium Enterprises - 100% Direct EFT payment within 60 days c. Non MSME Bidders - 100% direct EFT Payment within 90 Days Note A. Above due date is reckoned from the date of Receipt of material or 15 days from the date of submission of complete set of documents as per PO whichever is later. Payment will be made on acceptance of Material. B. MSEs (covered under MSME Act) need to register and renew periodically and update the same with BHEL C. The taxes that are reimbursed are limited to applicable taxes as on the Purchase Order delivery date or the amount actually paid whichever is less. D. Adherence to the above time schedule of payment is contingent upon Bidder complying with GST provisions and availment of Input Tax Credit by BHEL before the date of payment. E. In case of packaged items, 10% of supply value will be retained till completion of total supplies. F. Bidders to comply with clause 11 on GST requirements G. MSE benefits are not applicable to Traders/Wholesalers registered as MSEs</p>		
B	<p>Imports: i) 100% payment (less Indian Agency Commission, if any) shall be through Wire Transfer with a credit period of 60 days - Cash Against Documents (CAD) ii) In case Bidder opts for Letter of Credit payment, the LC Usance period shall be 90 days with respective bank charges to respective accounts and loading of 0.50% iii) Indian Agency commission if payable and so specified in the Purchase order shall be paid in Indian Rupees, considering the SBI TT selling exchange rate, as on the date of payment after successful completion of the contract.</p>		
C	<p>Conditions for LC: a. LC validity period will be 90 days and for any extension, applicable charges will be to bidder's account. b. LC will be opened after successful completion of pre dispatch inspection prior to the scheduled / agreed delivery date. LC will be opened within 15 bank working days from the date of request.</p>		Non Deviatable
D	<p>Conditions for both Indigenous & Foreign Bidders: a. In case Bidders insist for lesser Credit period and BHEL accepts, a loading of 0.60% for every 15 days reduction will be applicable. b. In case PBG as required is not furnished, Payment will be released deducting the BG amount, which will be paid after expiry of warranty period against submission of supplementary claim. c. Payment does not imply in any respect whatsoever a waiver of Buyer's right to performance of the Order. Buyer is entitled to set off claimable debts against claimable liabilities with the bidder by means of a setoff Note.</p>		Non Deviatable
E	<p>Wherever EMD is applicable, the EMD will be paid back to unsuccessful bidders within fifteen days after award of the contract. Successful bidder's EMD will be retained till submission of Performance Bank Guarantee (PBG). Tender Fee wherever applicable is not refundable. No interest shall be payable by BHEL on earnest money or security deposit or any money due to the contractor by BHEL.</p>		Non Deviatable

13	<p>Penalty clause:</p> <p>In the event of delay in supply /part-supply of goods, Penalty as detailed below is leviable</p> <p>a. Penalty of 0.5% per week or part there of shall be levied, limited to a max of 10% (ten percent) of delayed portion value / order value (as specified in SCC).</p> <p>b. Penalty applicable for delay in documentation is as per SCC.</p> <p>c. Date Reckoned for Penalty</p> <ul style="list-style-type: none"> - Indigenous Orders with delivery terms FOR HPEP: C Note date. - Indigenous Orders (Others): Date of e-waybill. - Imports: For CIP/CIF Orders: IGM date - Imports: For FOB Orders: AWB / BL date - Imports: For FCA/Ex Work Orders: Date of acknowledgement from Freight Forwarder. <p>d. In case of Deviation to above Penalty clause, loading applicable to the extent to which not agreed by Bidder.</p> <p>e. Timelines as mentioned in the Annexure 1 will be considered for reckoning delivery.</p> <p>Penalty amount so determined along with applicable GST (for Indigenous orders) thereon shall be recovered.</p> <p>Imposition, recovery or settlement of this penalty shall not affect BHEL's right to performance, compensation and termination of the order.</p>		
14	<p>Excess materials supplied beyond tolerance limit as specified in PO will not be paid and bidder may raise credit note for the excess/unaccepted material as per GST law.</p>		<p>Non Deviatable</p>
15	<p>Rejected materials, if any, shall be collected by the bidder within 90 days of such communication to the bidder. Beyond this period the bidder forfeits their right to the materials.</p>		<p>Non Deviatable</p>
16	<p>Guarantee / Warranty Period:</p> <p>Wherever required, and so provided in the specifications/SCC/Purchase Order, the bidder shall guarantee that the goods supplied shall comply with the specifications laid down, for materials, workmanship and performance.</p> <p>a. Guarantee period shall be 12 months from the date of commissioning or 18 months from the date of supply whichever is earlier.</p> <p>b. In case erection & commissioning is involved, guarantee period shall be 12 months from the date of commissioning.</p> <p>c. In case of equipment bought as a package which are intended to be incorporated in installations or systems, the guarantee period shall be 12 months from the date of commissioning of such equipment.</p> <p>The guarantee period shall be extended by the period during which the goods are not in compliance. If the delivery is found to be non-complaint, bidder shall replace, repair or re-execute the as requested by BHEL. If the bidder defaults on his obligations, buyer has the right to proceed to replace, repair or re-execute at the bidder's expense. A guarantee period as described above shall apply afresh to replaced, repaired or re-executed parts of a delivery.</p> <p>Loading for deviation:</p> <p>In case warranty specified in SCC is over and above the period mentioned in b & c above; loading will be 1% per annum for the deviation in warranty end period, on the contract value. Expected commissioning period is as indicated in SCC.</p>		<p>Non Deviatable</p>
17	<p>PERFORMANCE BANK GUARANTEE (PBG) (Applicable in case mentioned in SCC)</p> <p>In case enquiry specifically spells out PBG requirement, PBG is to be submitted by Bidder in requisite format as per Annexure VII.</p> <p>Further detailing on PBG as specified in SCC.</p> <p>The PBG shall be for the performance of the goods and shall remain binding not withstanding such variations, alterations or extensions of item as may be made, give, conceded or agreed to between the Bidder and BHEL under these Terms and conditions or otherwise.</p>		<p>Non Deviatable</p>
<p>NOTE: Deviations (Commercial as well as Technical) from the tender specifications and conditions are generally not acceptable. However, deviation if any, shall be brought out clearly with proper justification in the offer. The deviation, if considered by BHEL, shall be loaded for comparison, while evaluating the offer. If a bidder unconditionally withdraws any deviation before price bid opening, the same shall not be loaded. Loading criteria in respect of major commercial conditions where deviations if any are accepted shall be as per clause No.18. The Bidders may specifically note the following.</p>			
18	<p>Evaluation and Loading Criteria:</p>		

	<p>i) Evaluation Currency for this tender shall be "INR".</p> <p>ii) Evaluation of prices shall be done item-wise unless otherwise specified in the SCC.</p> <p>iii) Evaluation shall be on the basis of delivered cost, i.e. "Total Cost to BHEL" w.r.t the finalized technical scope and commercial conditions (after considering incidence of applicable taxes and duties and loading).</p> <p>iv) In the course of evaluation, if more than one Bidder happens to occupy L1 status, effective L1 will be decided by soliciting discounts from the respective L1 Bidders. In case more than one Bidder happens to occupy the L1 status even after soliciting discounts, the L1 Bidder shall be decided by a toss/draw of lots, in the presence of the respective L1 Bidders or their representatives. Ranking will be done accordingly. BHEL decision in such situations shall be final and binding.</p> <p>INDIGENOUS</p> <p>a. Bidder shall ensure to indicate the applicable taxes against each line item, failing which the same will be considered as inclusive/NIL.</p> <p>b. Ex-works offers received (as against FOR Destination mentioned in enquiry) shall be loaded by 2% of Ex-works value.</p> <p>c. GST and any other charges quoted will be added to the base price. However, in case input credit is available for GST (SGST, CGST/IGST), the same shall be excluded for arriving at "Total Cost to BHEL"</p> <p>IMPORTS</p> <p>For evaluation of offers in foreign currency, exchange rate (TT selling rate of State Bank of India) as on the date of bid opening (Part-I, in case of two-part bids) shall be considered. If the relevant day happens to be a bank holiday, then the forex rate as on the previous bank (SBI) working day shall be taken.</p> <p>In case of foreign Bidders, the quoted CIP price shall be loaded by the following factors to arrive at "Total Cost to BHEL":</p> <ul style="list-style-type: none"> - Import duty as applicable on the date of Part-I bid opening. - Loading will be as per the table below <table border="1" data-bbox="205 914 905 1427"> <thead> <tr> <th></th> <th>Ex Works</th> <th>FOB/FC A</th> <th>CIF/CFR</th> <th>CIP</th> </tr> </thead> <tbody> <tr> <td>Foreign Inland freight and insurance</td> <td>2%</td> <td></td> <td></td> <td></td> </tr> <tr> <td>Marine freight and marine insurance</td> <td>3%</td> <td>3%</td> <td></td> <td></td> </tr> <tr> <td>Destination Port handling charges</td> <td>0.50%</td> <td>0.50%</td> <td>0.50%</td> <td></td> </tr> <tr> <td>clearing charges & inland freight and insurance</td> <td>2%</td> <td>2%</td> <td>2%</td> <td>2%</td> </tr> </tbody> </table> <p>COMMON LOADING FOR IMPORTS & INDIGENOUS that will be added for arriving the "Total Cost to BHEL"</p> <ul style="list-style-type: none"> A. Loading on Deviated Penalty clause shall be 10% or to the extent to which the bidder has opted for deviation. B. Loading for payment terms as per clause 12 of ITB C. Loading for deviation in Warranty & PBG as per clause 16,17. 		Ex Works	FOB/FC A	CIF/CFR	CIP	Foreign Inland freight and insurance	2%				Marine freight and marine insurance	3%	3%			Destination Port handling charges	0.50%	0.50%	0.50%		clearing charges & inland freight and insurance	2%	2%	2%	2%
	Ex Works	FOB/FC A	CIF/CFR	CIP																						
Foreign Inland freight and insurance	2%																									
Marine freight and marine insurance	3%	3%																								
Destination Port handling charges	0.50%	0.50%	0.50%																							
clearing charges & inland freight and insurance	2%	2%	2%	2%																						
19	Procurement directly from the manufacturers/ suppliers shall be preferred. However, no agent shall be allowed to represent more than one manufacturer/ supplier in the same tender. Moreover, either the agent could bid on behalf of the manufacturer/ supplier or the manufacturer / supplier could bid directly but not both. In case bids are received from both from the manufacturer/ supplier and the agent, bid received from the agent shall be ignored.																									
20	RIGHT OF REJECTION /NON- PLACEMENT OF PO: BHEL reserves the right to accept or reject any or all bid/s in full or part without assigning any reason whatsoever.																									
21	INTEGRITY PACT Bidders shall have to enter into Integrity Pact with BHEL as per Annexure VI - for Tender value of rupees two crores and above and shall be signed by the authorized signatory along with the offer, failing which Bidder's offer will be rejected.																									
22	Public Procurement																									
A	Make in India For this Procurement, the local content to categorize a bidder as a Class I local bidder / Class II local bidder / Non-Local bidder and purchase preference to Class I local bidder, is as defined in Public Procurement (Preference to Make in India) order No P-45021/2/2017-PP(BE-II) dated 04-06-2020 issued by DPIIT as amended from time to time. Proforma for self-certification for minimum local content and auditor's certification is given in Annexure III.																									
B	Any Bidder from a country which shares a land border with India will be eligible to bid in this tender only if the bidder is registered with competent authority. GOI website https://www.mea.gov.in/ to be referred for latest details of competent authority and exemptions . Proforma for self-certification for compliance is given in Annexure IV.																									
C	Startups: For Start-ups duly registered with DPIIT (Copy of certificate to be provided), condition of prior turnover and prior experience in Public Procurement may be relaxed subject to meeting of Quality and Technical Specifications. Startups are exempt from paying EMD.																									
23	Benefits earmarked for Purchase from Micro & Small Enterprises (MSEs) – Indigenous Purchase																									
A	All Micro and Small Enterprises (MSEs) as defined in MSE Procurement Policy are exempt from Paying EMD. NSIC/UDYAM registered bidders shall submit NSIC/UDYAM Certificate along with bid documents. Date to be reckoned for determining the deemed validity will be the last date of Technical bid submission. Non- submission of such document will lead to consideration of their bid, at par with other bidders and MSE status of such bidders shall be shifted to Non- MSE Category till the bidder submits these documents.																									

B	In tender, MSEs quoting price within price band of L1+15% shall also be allowed to supply a portion of requirement by bringing down their price to L1 price in a situation where L1 price is from someone other than a MSE and such MSE shall be allowed to supply at least 25% of total tendered value. In case of more than one such MSE, the supply shall be shared proportionately. Out of these 25% minimum 3% shall be earmarked for MSEs owned by women and 6.25% for MSEs owned by SC/STs who submit the relevant documents.
C	If an enterprise falling under MSME category as defined in the Act, graduates to a higher category from its original category or beyond the purview of the Act, it shall continue to avail all non-tax benefits of its original category notified by the Ministry of Micro, Small and Medium Enterprise for a period of three years from the date of such graduation to the higher category.
D	BHEL HPEP is registered with RXIL (TReDS) platform. MSME bidders are requested to get registered with RXIL (TReDS) platform to avail the facility as per the GOI guidelines.
24	Inspection Measuring and Test Equipment (IMTE) used by the Bidder/ Contractor or sub-contractor shall be calibrated, maintained and controlled. Calibration shall be valid and IMTE maintained in sound condition during usage.
25	ISO-9001, ISO14001 & OHSMS 45001 shall be complied.
26	If BHEL registered supplier is not quoting against this NIT, supplier shall send regret letter positively with valid reasons for not participating. Repeated lack of response on the part of supplier may lead to deletion of such registered supplier from BHEL's approved supplier's list as per BHEL SEARP Guidelines.
27	<p>Risk Purchase clause: In case bidder fails/delays to supply whole or part of the ordered items or supplies defective items or fails to fulfil any other terms and conditions given in Purchase Order/Contract, BHEL has the right to terminate the order/contract or withdraw balance scope of work/supply and make the purchase of such material / services from elsewhere at the risk and cost of the defaulted bidder. The bidder is liable for the additional expenditure / difference in Cost, if any, including consequential losses which BHEL may sustain by reason of risk purchase in addition to the applicable LD as per the order/contract. Non-performance of contract attracts penal provisions in line with BHEL guidelines for Suspension of Business Dealings (SBD).</p>
28	Any other terms and conditions of the bidder attached / referred against the tender enquiry will not be considered.
29	All drawings, patterns and tools supplied by BHEL or made at BHEL's expense are BHEL's property. These cannot be used or referred to any other party and must be used only in the execution of BHEL's orders.
30	Any amount payable by the bidder under any of the conditions of this contract shall be liable to be adjusted against any amount payable to the bidder under any other work / contract awarded by BHEL HPEP or any other BHEL Units. This is without prejudice to any other action as may be deemed fit by BHEL.
31	The bids of the bidders who are on the banned list and also the bids of the bidders, who engage the services of the banned firms, will be rejected. The list of firms banned by BHEL is available on BHEL web site: www.bhel.com
32	Ordering and confirmation of order
	<p>The bidder shall send the order acceptance within one week from the date of LOI/Purchase order or such other period as specified/agreed by the Buyer. Buyer reserves the right to revoke the order placed if the order confirmation differs from the original order placed. Buyer shall be legally bound, only if agreed for any deviation explicitly in writing. The acceptance of deliverables or supplies by Buyer as well as payments made in this regard shall not imply acceptance of any deviations. The Purchase order will be deemed to have been accepted if no communication to the contrary is received within one week (or the time limit as specified /agreed by the Buyer) from the date of P.O. Buyer, is at liberty to send signed P.O. through electronic media such as e-mail and the receipt of which shall be treated as receipt of order.</p>
33	Execution
	The whole contract is to be executed in the most workman like manner, substantial and approved as per the contracted terms.
34	Progress Report
	<p>The bidder shall render such report as to the progress of work and in such form as may be called for by the Buyer from time to time. The submission and acceptance of such reports shall not prejudice the rights of the buyer in any manner. Bidder shall communicate to BHEL immediately, the change of address, ownership, contact person(s), the mobile numbers and e-mail of the dealing person concerned. Milestones shall be periodically updated by bidder through PRADAN Portal (https://hpep.bhel.com/mm/). Non updation will adversely affect service rating of bidder performance.</p>
35	Non-disclosure Obligations

	<p>Drawings, technical documents or other technical information received by one party shall not without the consent of the other party, be used for any other purpose than that for which they were provided. They may not, without the consent of the submitting party, otherwise be used or copied, reproduced, transmitted or communicated to third parties. All information and data contained in general product documentation, whether in electronic or any other form, are confidential and binding only to the extent that they are by reference expressly included in the contract.</p> <p>The bidder shall, as per agreed date/s but not later than the date of delivery, provide free of charge any information and/or drawings which are necessary to permit the Buyer to erect, commission, operate and maintain the product. Such information and drawings shall be supplied as specified in technical specification.</p> <p>All intellectual properties, including designs, drawings and product information etc. exchanged during the formation and execution of the contract shall continue to be the property of the submitting party.</p> <p>The bidder shall provide Buyer with all information pertaining to the delivery in so far as it could be of importance to Buyer. The bidder shall not reveal confidential information to its own employees not involved with the tender/contract and its execution and delivery or to third parties, unless Buyer has agreed to this in writing beforehand. The bidder shall not be entitled to use the Buyer's name in advertisements and other commercial publications including website without prior written permission from Buyer.</p> <p>In the event of violation of the confidentiality as agreed, BHEL will take legal action as deemed fit. Non-disclosure agreement to be entered as per Annexure- II wherever applicable.</p>
36	Inspection and Testing
A	The goods and stores shall be manufactured by approved quality system and each part/component may be inspected and tested by the Buyer prior to shipment and shall comply with relevant requirements. Buyer has the right to inspect at any stage during manufacture/ delivery.
B	<p>Buyer or his authorized representative shall be entitled at all reasonable times during execution to inspect, examine and test at the bidder's premises the material and workmanship of all stores to be supplied under the contract, and if the part of the stores are being manufactured at other premises, the bidder shall obtain for buyer or his authorized representative permission to inspect, examine and test as if the said stores are being manufactured at the bidder's premises. Such inspection, examination and testing, if made shall not release the bidder from any obligation under the contract.</p> <p>For indigenous bidders all costs related to first inspection request shall be borne by the buyer and the cost of subsequent inspections due to non-readiness of material/rework/ rejections shall be borne by the bidder. In case of imports all inspection charges including third party inspections if any shall be borne by the bidder. The cost of inspection staff/third party specified by the Buyer shall be borne by bidder unless otherwise specifically agreed. If the contract provides for tests on the premises of the bidder or any of his sub-contractor/s, bidder shall be responsible to provide such assistance, labor, materials, electricity, fuels, stores, apparatus, instruments as may be required and as may be reasonably demanded to carry out such tests efficiently. Cost of any type test or such other special tests shall be borne by the bidder unless otherwise specifically agreed in the contract. The Bidder shall give the authorized representative of the buyer reasonable notice in writing of the date on and the place at which any stores will be ready for inspection/ testing as provided in the Contract. Annexure – I, may strictly be complied with for the time lines. Any delay in submission of the documents by the bidder will not alter the delivery date.</p>
37	Quality and Condition of the Deliverables
	The bidder shall be responsible for compliance with applicable technical, safety, quality, environmental requirements and other regulations in relation to products, packaging and raw and ancillary materials.
38	Packaging and Dispatch
	<p>The bidder shall package the deliverables safely and carefully and pack them suitably in all respects considering the peculiarity of the material for normal safe transport by sea/air/rail/road to its destination suitably protected against loss, damage, corrosion in transit and the effect or tropical salt laden atmosphere. The packages shall be provided with fixtures/hooks and sling marks as may be required for easy and safe handling by mechanical means. Special packaging conditions/ environmental conditions as defined in the NIT shall be fully complied.</p> <p>Each package must be marked with consignee name, address, P.O. number, Package Number, gross weight & net weight, dimensions (Lx B x H) and bidder's name. The packing shall allow for easy removal and checking of goods on receipt and comply with carrier's conditions of packing or established trade practices. Packing list for goods inside each package with P.O. item No. & quantity must also be fixed securely outside the box to indicate the contents. If any consignment needs special handling instruction, the same shall be clearly marked with standard symbols/instructions. Hazardous material should be notified as such and their packing, transportation and other protection must conform to relevant regulations.</p>
39	Contract variations; Increase or decrease in the scope of supply
	<p>Buyer may vary the contracted scope during execution due to exigencies of project requirement.</p> <p>If the bidder is of the opinion that the variation has an effect on the agreed price or delivery period, Buyer shall be informed of this immediately in writing along with technical details, and in the event of additional work, submit a quotation with regards to the price and period involved, as well as the effect this additional work will have on the other work to be performed by the bidder. Wherever unit rates are available in the contract, the same shall be applied to such additional work. The bidder shall not perform additional work before buyer has issued written instructions/amendment to the purchase order to that effect. The work which the bidder should have or could have anticipated in terms of delivering the service (s) and functionality (ies) as described in this agreement should be executed by the bidder without any price implication.</p> <p>In case of no change in the scope / technical specifications, bidder shall endeavor to keep the material ready and intimate the same to BHEL within the contractual delivery date, failing which, the delay if any will be attributed to supplier, and any upward price variation thereof for delivery at a later date is not admissible.</p>
40	Rejected/Short shipments/ warranty/guarantee replacements
	In case of any short shipment during initial supply which is subsequently dispatched by the bidder or any guarantee / warranty replacements shall be dispatched on "DDP-Delivered duty paid BHEL stores" basis for imported items and "FOR-BHEL Stores/designated destination" basis for indigenous items.
41	Export Administration Regulations
	If a delivery includes such technology and / or supply that is subjected to the export regulations the bidder shall obtain due permissions, approvals, license etc.
42	Force Majeure

	<p>The bidder shall not be considered in default if delay occurs due to causes beyond their control such as Acts of God, Natural calamities, Fire, Frost, Flood, Civil War, civil commotion, riot, Government Restrictions.</p> <p>Only those causes that have duration of more than seven days shall be considered cause of force majeure. Notification to this effect duly certified by local chamber of commerce/statutory authorities with supporting documents shall be given by the bidder to BHEL by registered letter/courier service immediately without loss of time.</p> <p>In the event of delay due to such causes the delivery schedule shall be extended for a length of time equal to the period of Force Majeure or at the option of BHEL the order may be cancelled. Such cancellation would be without any liability whatsoever on the part of BHEL.</p> <p>In the event of such cancellation the bidder shall refund any amount advanced or paid to the bidder by BHEL and deliver back any material issued to him by BHEL and release facilities, if any provided by BHEL.</p>
43	Non-waiver of Defaults
	If any individual provision of the contract is invalid, the other provisions shall not be affected.
44	Settlement of Disputes
	<p>Except as otherwise specifically provided in the contract, all disputes concerning questions of the facts arising under the contract, shall be decided by the Buyer, subject to written appeal by the bidder to the buyer, whose decision shall be final.</p> <p>Any disputes of differences shall to the extent possible be settled amicably between the parties thereto, failing which the disputed issues shall be settled through arbitration</p> <p>The bidder shall continue to perform the contract, pending settlement of disputes(s).</p>
45	Conciliation clause
	<p>CONCILIATION CLAUSE FOR CONDUCTING CONCILIATION PROCEEDINGS UNDER THE BHEL CONCILIATION SCHEME, 2018: The Parties agree that if at any time (whether before, during or after the arbitral or judicial proceedings), any Disputes (which term shall mean and include any dispute, difference, question or disagreement arising in connection with construction, meaning, operation, effect, interpretation or breach of the agreement, contract or the Memorandum of Understanding, penalty deduction, time extension), which the Parties are unable to settle mutually, arise inter-se the Parties, the same may, be referred by either party to Conciliation to be conducted through Independent Experts Committee to be appointed by competent authority of BHEL from the BHEL Panel of Conciliators.</p> <p>The proceedings of Conciliation shall broadly be governed by Part-III of the Arbitration and Conciliation Act 1996 or any statutory modification thereof and as provided in Procedure in http://www.bhel.com/index.php/story_details?story=2454 . The Procedure together with its Formats will be treated as if the same is part and parcel hereof and shall be as effectual as if set out herein in this ITB</p>
46	ARBITRATION (WITH SOLE ARBITRATOR)
	<p>Except as provided elsewhere in this Contract, in case amicable settlement is not reached between the Parties, in respect of any dispute or difference; arising out of the formation, breach, termination, penalty deduction, validity or execution of the Contract; time extension, or, the respective rights and liabilities of the Parties; or, in relation to interpretation of any provision of the Contract; or, in any manner touching upon the Contract, then, either Party may, by a notice in writing to the other Party refer such dispute or difference to the sole arbitration . Sole arbitrator to be appointed by Head of the Unit - BHEL , HPEP .</p>
	The Arbitrator shall pass a reasoned award and the award of the Arbitrator shall be final and binding upon the Parties.
	Subject as aforesaid, the provisions of Arbitration and Conciliation Act 1996 (India) or statutory modifications or re-enactments thereof and the rules made thereunder and for the time being in force shall apply to the arbitration proceedings under this clause. The seat of arbitration shall be Sangareddy / Hyderabad, Telangana. The language of arbitration shall be English and the documents shall be submitted in English.
	The cost of arbitration shall initially be borne equally by the Parties subject to the final apportionment of the cost of the arbitration in the award of the Arbitrator.
	<p>Subject to the arbitration in terms of clause 45, the courts at Sangareddy, Telangana State shall have exclusive jurisdiction over any matter arising out of or in connection with this contract.</p> <p>Notwithstanding the existence or any dispute or differences and/or reference for the arbitration, the Contractor shall proceed with and continue without hindrance the performance of its obligations under this Contract with due diligence and expedition in a professional manner except where the Contract has been terminated by either Party in terms of this Contract.</p>
	ARBITRATION FOR CONTRACT WITH PUBLIC SECTOR ENTERPRISE (PSE) OR A GOVERNMENT DEPARTMENT
	In the event of any dispute or difference relating to the interpretation and application of the provisions of commercial contract(s) between Central Public Sector Enterprises (CPSEs/ Port Trusts inter se and also between CPSEs and Government Departments/Organizations (excluding disputes concerning Railways, Income Tax, Customs & Excise Departments), such dispute or difference shall be taken up by either party for resolution through AMRCD as mentioned in DPE 0M No 4(1)/2013-DPE(GM/FTS 1835 dated 22-05-2018
47	Applicable Laws and jurisdiction of Courts
	This agreement shall be construed and interpreted in accordance with the laws of India and shall have exclusive jurisdiction of Sangareddy/Hyderabad courts, Telangana, India.
48	BHEL-Fraud prevention policy shall be adhered to.
	<p>The Bidder along with its associate/ Collaborators/ Sub-contractors/ sub-bidders/ consultants/ service providers shall strictly adhere to BHEL Fraud Prevention policy displayed on BHEL Website http://www.bhel.com and shall immediately bring to the notice of BHEL management about any fraud or suspected fraud as soon as it comes to their notice.</p> <p>List of nodal officers is hosted on BHEL Hyderabad website https://hpep.bhel.com/.</p>
49	Suspected Cartel Formation
	The Bidder declares that they will not enter into any illegal or undisclosed agreement or understanding, whether formal or informal with other Bidder(s). This applies in particular to prices, specifications, certifications, subsidiary contracts, submission or non-submission of bids or any other actions to restrict competitiveness or to introduce cartelization in the bidding process. In case , the Bidder is found having indulged in above activities, suitable action shall be taken by BHEL as per extant policies / guidelines .
50	Conflict of Interest:
	"A bidder shall not have conflict of interest with other bidders. Such conflict of interest can lead to anti-competitive practices to the detriment of Procuring Entity's interests. The bidder found to have a conflict of interest shall be disqualified. A bidder may be considered to have a conflict of interest with one or more parties in this bidding process, if:



- a) they have controlling partner (s) in common; or
b) they receive or have received any direct or indirect subsidy/ financial stake from any of them; or
c) they have the same legal representative/agent for purposes of this bid; or
d) they have relationship with each other, directly or through common third parties, that puts them in a position to have access to information about or influence on the bid of another Bidder; or
e) Bidder participates in more than one bid in this bidding process. Participation by a Bidder in more than one Bid will result in the disqualification of all bids in which the parties are involved. However, this does not limit the inclusion of the components/ sub-assembly/ Assemblies from. one bidding manufacturer in more than one bid; or
f) In cases of agents quoting in offshore procurements, on behalf of their principal manufacturers, one agent cannot represent two manufacturers or quote on their behalf in a particular tender enquiry. One manufacturer can also authorize only one agent/dealer. There can be only one bid from the following:
1. The principal manufacturer directly or through one Indian agent on his behalf; and
2. Indian/foreign agent on behalf of only one principal; or
g) A Bidder or any of its affiliates participated as a consultant in the preparation of the design or technical specifications of the contract that is the subject of the Bid; or
h) In case of a holding company having more than one independently manufacturing units, or more than one unit having common business ownership/management, only one unit should quote. Similar restrictions would apply to closely related sister companies. Bidders must proactively declare such sister/ common business/ management units in same/ similar line of business. "

Note: Purchase officer has to fill Annexure-I while sending enquiry

(Attachment to Enquiry No. XXXXXXXXXX Due on Date XX.XX.XXXX

Special Conditions of Contract (SCC)

Rev 01

Sl.No	ITB Clause No.	Clause	Available Options	BHEL requirements	Bidder response
1	3	Mode of Submission	Conventional / E-Procurement		
2	5	Type of Bid	Single part / Two Part / Three Part		
3	6	Indigenous purchase - Destination	BHEL, RCPuram, Hyderabad / Site		
4			Destination in case of Site		
		Mode of Shipment	Air / Sea		
5		Imports purchase - Destination	Mumbai / Navasheva / Hyderabad / Others		
6		Freight	Customer / BHEL / Vendor		
7		Insurance	Customer / BHEL / Vendor		
8			Basic Custom Duty	Project Imports/ Concessional Duty / Merit Duty / Nil / Others Duty Structure	
9	9	Price validity	_____ days		
		Optional Spares price validity	_____ Months / years from the date of _____		
10	8	Delivery Period	_____ weeks / _____ Months (Staggered delivery to be detailed)		
11	18	Evaluation basis	Itemwise / Total		
12	Others	Quantity Split	Splittable / Non-Splittable		
13			(Tabulation for splitting to be detailed)		
14	9	Price Variation Clouser (PVC)	Applicable / Not applicable		
15	12	Payments Terms	Inland Letter of Credit (ILC) In case Bidder opts for ILC Payment, the LC Usance period shall be 120 days with all charges to bidder's account and loading of 0.50%. Note : Wherever it is felt commercially prudent to include Inland Letter of Credit (ILC) payment term, a separate note, before publishing tender, with proper justification for inclusion of ILC payment terms to be concurred by Head of Finance and approved by Product/Functional Head (not less than GM).		
16		Tender cost	Applicable / Not applicable		
17		Earnest Money Deposit (EMD)	____% of tender value / Not applicable		
18		E & C Supervision Charges	Applicable / Not applicable		
19			If applicable , max 2% of Total contract value .		
20		Bank Guarantee against milestone payment	(If envisaged to be detailed with %)		
21		Others	Contract execution Bank Guarantee	____% of PO Value to be submitted after receipt of PO / Not Applicable	
22	17	Performance Bank Guarantee			
	7	Additional documentation for payment	Test / Warranty / Guaranty / O&M Manual etc.,		
24	13	Max Penalty applicable on	Delayed portion / Order value		
25	Others	Contract Specific Penalty Clause	including Documentation delay , Performance , E&C etc., to be detailed , considering Project , Unit , Set , etc.,		
26	16	Guarantee / Warranty Period	Applicable Clause a/b/c		
27		Contract Specific Guarantee / Warranty Period	Specific period if any to be detailed		
28	Others	Expected commissioning period	_____ months from the date of supply		
29	48	Detailed Billing Breakup (BBU)	Applicable / Not applicable		
30			(If applicable , Bidder shall provide detailed billing break-up in respect of the major items/components (stipulated in the tender) as part of offer .)		
31	Others	Customer approval of vendor	Applicable / Not applicable		
32		Drawing approval	Applicable / Not applicable		
33		QAP approval	Applicable / Not applicable		
34	36	Inspection by	BHEL / BHEL TPI / Vendor TPI / Customer		
35	Others	Financial / Commercial PQC	Applicable / Not applicable		
36			if Applicable to be detailed		

Note:

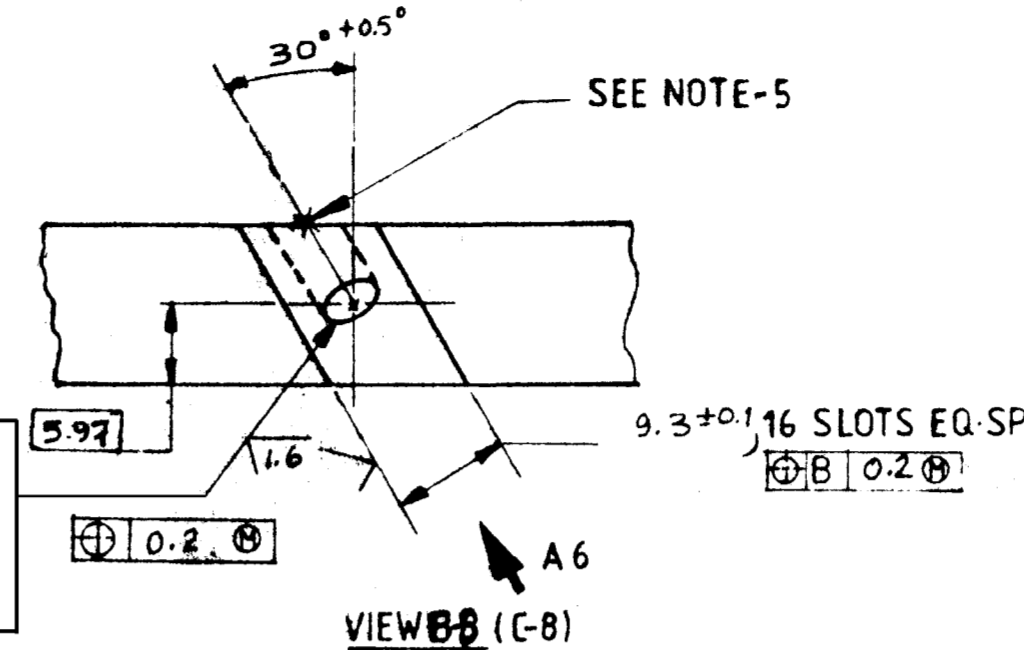
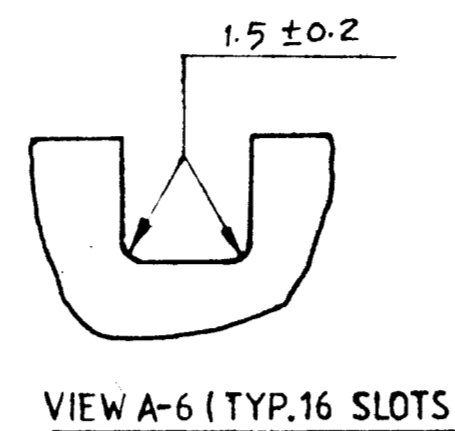
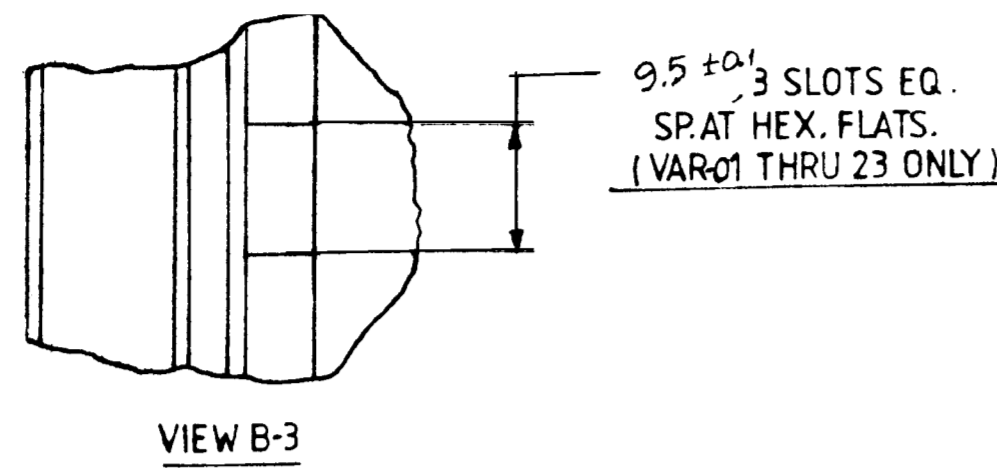
Special Conditions of Contract (SCC) shall be got approved by the Checklist approving authority, for all tenders.

THIRD ANGLE PROJECTION

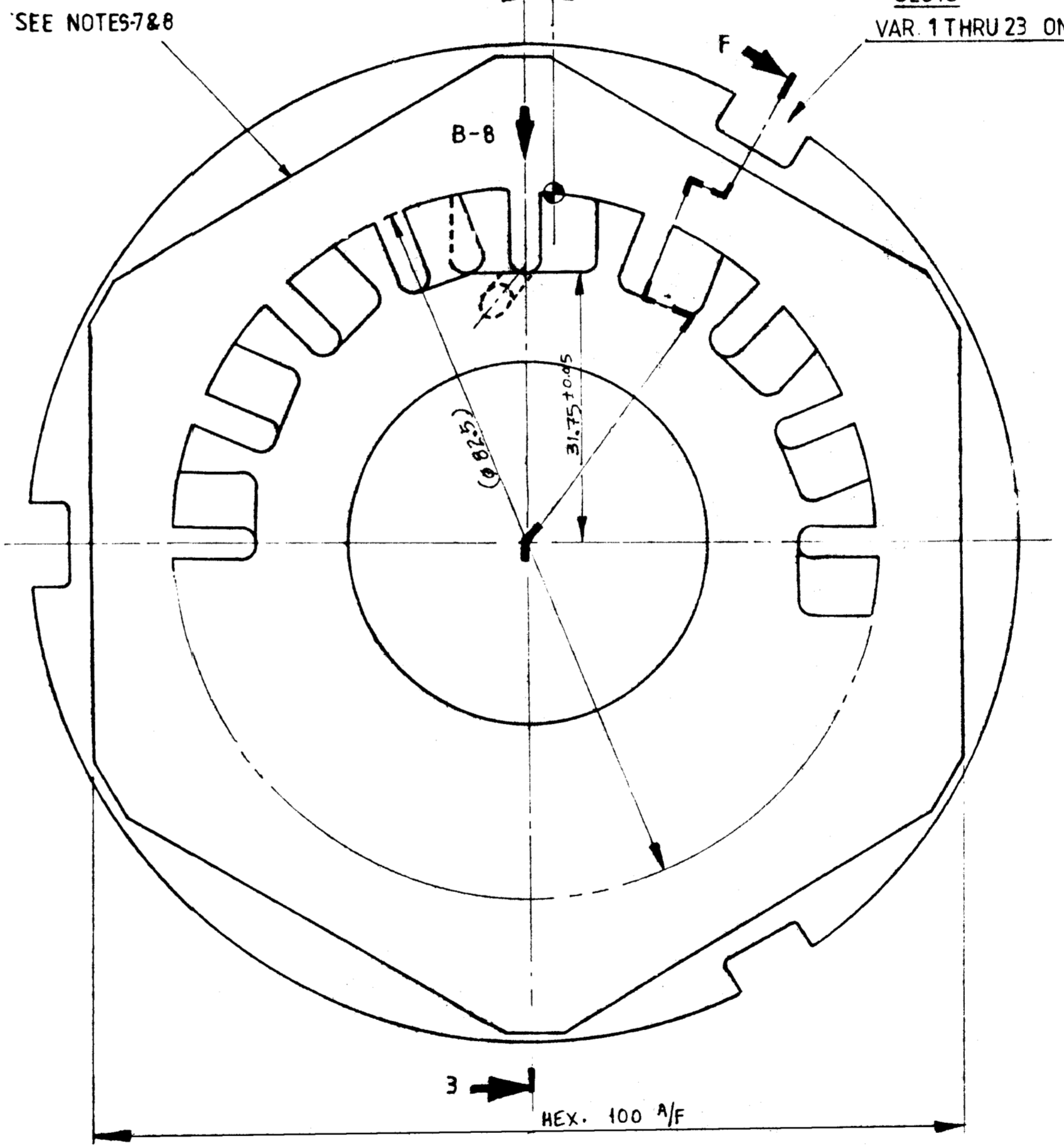
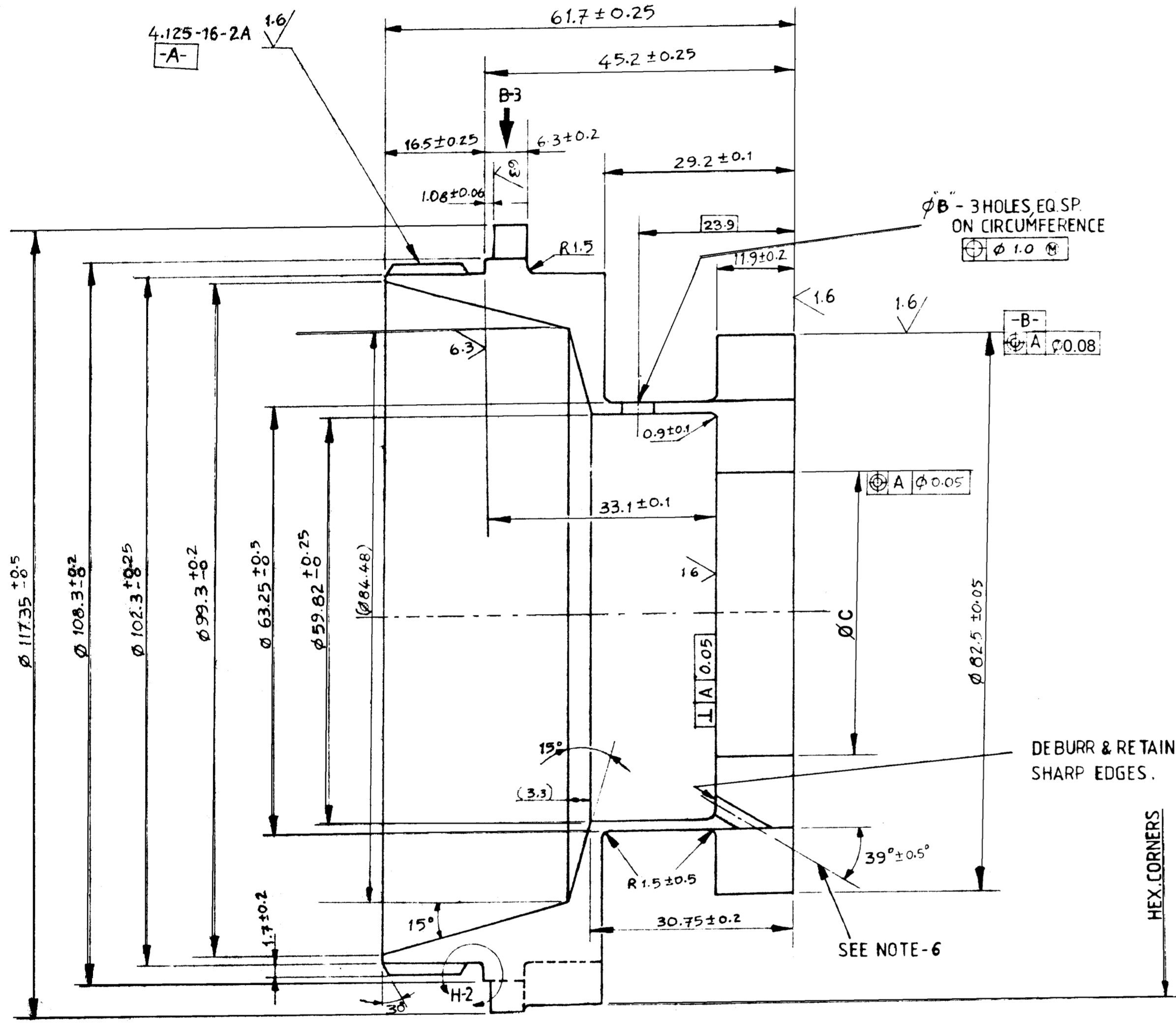
70015-9075E-1

NOTES:

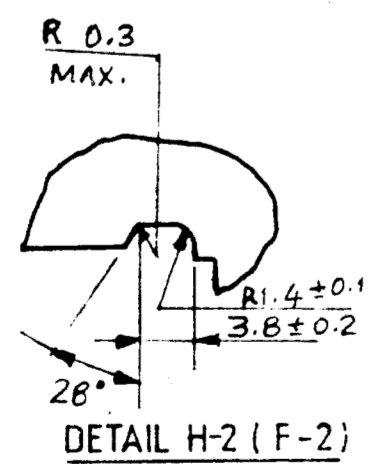
- ESTABLISH VERTICAL ϵ ON FRONT FACE.
- ESTABLISH PARALLEL VERTICAL LINE AT ϕA DIMENSION.
- ϵ INDICATES A POINT AT WHICH ϕA VERTICAL LINE INTERSECTS CIRCUMFERENCE OF $\phi 82.5 \pm 0.05$ DIA.
- MACHINE SLOTS USING INDICATING POINT ϵ AS ϵ OF SLOTS.
- EXIT POINT (\ast , ZONE-A-B) AT BOTTOM ϵ OF SLOTS. IS TO BLEND WITH $\phi 63.5 \pm 0.25$ NO STEPS ALLOWED.
- MAINTAIN MACHINED SLOT POSITION, ROTATE MACHINE HEAD TO SPECIFIED ANGLE FOR DRILLING OF HOLES.
- FINISHED PART TO BE PROCESSED PER ITEM-2. AFTER PART IS SATISFACTORILY PROCESSED PERMANENTLY MARK "F.T SPEC" ON FLAT OF HEX.
- PROCESS AND PERMANENTLY MARK PER ITEM-1 ON THE FLAT OF HEX.
- ALL FINISHED PARTS MUST FALL WITHIN THE GIVEN EFFECTIVE AREA FLOW LIMITS AS TESTED ALSO THE RANGE OF EFFECTIVE AREA FOR A MACHINE SET OF GAS FUEL NOZZLE ASSEMBLIES OR TIPS SHALL NOT EXCEED FIVE PERCENT ($\pm 2.5\%$).



ϕA - 8 HOLES EQ. SP. VAR. 2 THRU 28 ONLY.
 ϕA - 16 HOLES EQ. SP. VAR. 33 ONLY.



X X VAR	EFFECTIVE AREA FLOW LIMITS (MM ²)	
	MAX	MIN
01	OMIT	OMIT
02	77.0	69.6
03	108.8	98.5
04	121.4	109.9
05	69.6	63.0
06	83.7	75.7
07	96.90	87.7
08	137.2	124.2
09	142.3	128.8
10	72.3	65.5
11	101.2	91.5
12	104.4	94.5
13	155.4	140.6
14	67.0	60.6
15	166.2	150.4
16	113.3	102.5
17	79.8	71.4
18	89.7	81.1
19	129.8	117.5
20	167.5	151.6
21	120.3	108.8
22	OMIT	OMIT
23	132.3	119.7
24	104.4	94.5
25	137.2	124.2
26	96.9	87.7
27	113.3	102.5
28	83.7	75.7
29	113.3	102.5
33	205.0	194.96



VAR NO	φ A	φ B	φ C	VAR NO	φ A	φ B	φ C	VAR NO	φ A	φ B	φ C
1	OMIT	4.7 ± 0.25		11	4.75 ± 0.05	OMIT		21	5.18 ± 0.05	OMIT	
2	4.14 ± 0.05	OMIT		12	4.83 ± 0.05	OMIT		22	OMIT	OMIT	
3	4.93 ± 0.05	OMIT		13	5.89 ± 0.05	OMIT		23	5.44 ± 0.05	OMIT	
4	5.21 ± 0.05	OMIT		14	3.86 ± 0.05	OMIT		24	4.83 ± 0.05	OMIT	
5	3.94 ± 0.05	OMIT	± 0.05	15	6.10 ± 0.05	OMIT	± 0.05	25	5.96 ± 0.05	OMIT	42.29
6	4.32 ± 0.05	OMIT		16	5.03 ± 0.05	OMIT		26	4.87 ± 0.05	OMIT	
7	4.65 ± 0.05	OMIT		17	4.19 ± 0.05	OMIT		27	5.05 ± 0.05	OMIT	
8	5.54 ± 0.05	OMIT		18	4.47 ± 0.05	OMIT		28	4.34 ± 0.05	OMIT	
9	5.64 ± 0.05	OMIT		19	5.38 ± 0.05	OMIT		29	5.03 ± 0.05	OMIT	OMIT
10	4.01 ± 0.05	OMIT		20	6.12 ± 0.05	OMIT		33	4.77 ± 0.05	OMIT	42.29 ± 0.05

NO SLOTS

THIS DRAWING IS IN THIRD ANGLE PROJECTION
 GENERAL DIMENSIONAL LIMITS, FITS, & TOLERANCES AS PER P.S. HY-0230261

2	FLOW TEST	GT10148
1	GENL REQ	GT10149
ITEM	DESCRIPTION	SPECN.

QTY	DESCRIPTION	RAW MAT DIMENSION	MATERIAL CODE	MT. WT.	DRAWING NO.	ITEM NO.
REMARKS						
REV. DATE ALTERED BY PANKAJ NVS 02 19.07.12 CHD/APPD NVS VAR NO. 33 ADDED. DCA NO.: GT1958 REV. DATE ALTERED BY PANKAJ NVS 01 12/08/04 CHD/APPD NVS VAR 29 ADDED TO USE THIS AS GAS ONLY TIP ON DUAL FUEL NOZZLE BODY AT GAIL VIJAYAPUR 2 x FR-3. DCA NO.: GT1588						
DEPT. GTD/423 OLD DRAWING NO. W.Y.S.						

BHAJAT HEAVY ELECTRICALS LTD HYDRABAD	
NAME	DATE
SRINIVASRAO	20/7/12
CHECK	EXADITYA
APPRO	ET. ARVIND
SCALE	1:1
DRAWING NO. 1-35406-51004	
REV. 02	

		TECHNOLOGICAL PROCESS NOT FOR PROCESS SHEET PRINT			Production Order	Date
Plant: P003	Equipment No:			102042200	12.08.2023	
Type	WBS Element	Customer / Project Name			Part No	
	P-1288200061-35406	HPCL MUMBAI (WR)				
Drawing No.-Var	E.Rev.	T.Rev	Material No.	Name Of The Part		
13540651004	01	01	13540651004-21E	TIP, F/N, Dia 5.18 x 8, With Center Hole		
Pos.No	BOM Qty	Ord Qty	MU	St.	Nt.Wt.	MDCC
	6.000	6.000	EA	IS85	0.900	NO

BOM Details

Pos.No	IC	Material Code	P.No	Remarks					
Matl.Spec	SPK	Qty	MU	Size 1	Size 2	Size 3	Formula Key	MPcs	St.
0001	L	13540651004-22E							
		6.000	EA	0.000	0.000	0.000		0.000	IS85
Material Description : TIP FUEL NOZZLE, WITHOUT HOLES, MFG				Reservation :	Item : 0001	Picklist:			
				0014740888					

Operation Details

Opr No	W.C.	Plant	Ctl. ky	Prep Time	Time/ PC(M)	Time/ PC(L)	Total Time	QC Signature
PRT Cat	PRT No.			PRT Description				
Sub Operation Text								
0010	HB4818	P003	ZP99	120.000	180.000	180.000	1,200.000	
Hold the previous drilling tip(13540651004-22E) in the fixture align the hole with the spindle center, fix the fixture to the table. Replace the tip with the new one align the slot 9.3 +/-0.1 slot drill to dia 5 center drill 4.8, and ream to dia 5.18 +0.05/0.								
0020	HB9421	P003	ZP99	30.000	0.000	60.000	390.000	
Fine deburr and retain sharp edges as shown in the drg.								
0025	HB9863	P003	ZQ01	0.000	0.000	0.000	0.000	
0030	HB9863	P003	QFNL	0.000	0.000	0.000	0.000	
Inspect as per drg.								

Chkd. By	Dt.	ECR/ Rev No	Dt.	Pro.Plnr	Rate Fixr / Tool Plnr	Pg no	No.of Pgs
	12.09.2023			LSN		1	1

		TECHNOLOGICAL PROCESS NOT FOR PROCESS SHEET PRINT			Production Order	Date	
Plant: P003	Equipment No:			102041968	12.08.2023		
Type	WBS Element	Customer / Project Name			Part No		
	P-1888400051-35406	IOC BONGAIGOAN 1XFR5 RLNG CONVERSI					
Drawing No.-Var	E.Rev.	T.Rev	Material No.	Name Of The Part			
23540651006	06		23540651006-05	TIP F/N GAS, DIA 5.21x8, With Cent Hole			
Pos.No	BOM Qty	Ord Qty	MU	St.	Nt.Wt.	Remarks	MDCC
	10.000	10.000	EA	IS85	0.100	TIP FUEL NOZZLE GAS	NO

BOM Details

Pos.No	IC	Material Code	P.No	Remarks					
Matl.Spec	SPK	Qty	MU	Size 1	Size 2	Size 3	Formula Key	MPcs	St.
0001	L	23540651006-03							
		10.000	EA	0.000	0.000	0.000		0.000	IS85
Material Description : TIP FUEL NOZZLE GAS, WITHOUT GAS HOLES				Reservation :	Item : 0001	Picklist:			
				0014740922					

Operation Details

Opr No	W.C.	Plant	Ctl. ky	Prep Time	Time/ PC(M)	Time/ PC(L)	Total Time	QC Signature
PRT Cat	PRT No.			PRT Description				
Sub Operation Text								
0010	HA5965	P003	ZP01	10.000	10.000	10.000	110.000	
Collect TIP FUEL NOZZLE GAS, WITHOUT GAS HOLES, 23540651006-03								
0020	HB4819	P003	ZP99	60.000	180.000	180.000	1,860.000	
Hold the tip in dividing head with the help of mandrel. Tilt the head to angle 51 deg. and tilt the table to 30deg. Align the spindle to the center of the slot 9.27+/-0.1 Spot face with slot drill to dia 5, centre drill and make reaming hole of dia 5.21 +/-0.02 as per drg. Repeat the process for remaining 7 holes (total 8 no of holes) Milling Mandrel:- 63-72-3011								
0030	HB9863	P003	QM01	0.000	0.000	0.000	0.000	
Inspection.								
0040	HB4128	P003	ZP99	10.000	30.000	30.000	310.000	
Hold the job in soft jaws Deburr the sharp edges inside.								
0050	HB9863	P003	QFNL	0.000	0.000	0.000	0.000	
Inspection.								
0155	HB4819	P003	ZQ01	0.000	0.000	0.000	0.000	

Chkd. By	Dt.	ECR/ Rev No	Dt.	Pro.Plnr	Rate Fixr / Tool Plnr	Pg no	No.of Pgs
	12.09.2023			LSN		1	1

		TECHNOLOGICAL PROCESS NOT FOR PROCESS SHEET PRINT			Production Order	Date
Plant: P003	Equipment No:			102042046	11.08.2023	
Type	WBS Element	Customer / Project Name			Part No	
Drawing No.-Var	E.Rev.	T.Rev	Material No.	Name Of The Part		
23540651006	06		23540651006-06E	TIP, F/N GAS, 5.05x8 with Center Hole		
Pos.No	BOM Qty	Ord Qty	MU	St.	Nt.Wt.	MDCC
	10.000	10.000	EA	IS85	0.930	NO

BOM Details

Pos.No	IC	Material Code	P.No	Remarks					
Matl.Spec	SPK	Qty	MU	Size 1	Size 2	Size 3	Formula Key	MPcs	St.
0001	L	23540651006-03							
		10.000	EA	0.000	0.000	0.000		0.000	IS85
Material Description : TIP FUEL NOZZLE GAS, WITHOUT GAS HOLES				Reservation : 0014739750	Item : 0001	Picklist:			

Operation Details

Opr No	W.C.	Plant	Ctl. ky	Prep Time	Time/ PC(M)	Time/ PC(L)	Total Time	QC Signature
PRT Cat	PRT No.			PRT Description				
Sub Operation Text								
0010	HB9421	P003	ZP01	0.000	0.000	0.000	0.000	
Collect the item								
1. 23540651006-03--TIP FUEL NOZZLE GAS--1 No								
0020	HB4819	P003	ZP99	60.000	180.000	180.000	1,860.000	
Hold the tip in dividing head with the help of mandrel. Tilt the head to angle 51 deg. and tilt the table to 30deg. Align the spindle to the center of the slot 9.27+/-0.1 Slot drill to dia 5, Center drill, make reaming hole of dia 5.05 +/-0.02 x 8 Nos as per drg. Milling Mandrel:- 63-72-3011								
0030	HB4128	P003	ZP99	10.000	30.000	30.000	310.000	
Hold the job in soft jaws Deburr the sharp edges inside.								
0040	HB9863	P003	QM01	0.000	0.000	0.000	0.000	
Inspection								
0050	KB9881	P055	QMQT	0.000	0.000	0.000	0.000	
Note:								
If the TIPs are to be sent as a spare order, then Flow Test to be conducted for each TIP with effective area flow limits 101.94 to 112.65 mm2 as per drg. Also follow Note-4 of the drg.								
Otherwise Flow test will be carried out at the time of final assy.								
0055	HB9863	P003	ZQ01	0.000	0.000	0.000	0.000	
0060	HB9863	P003	QFNL	0.000	0.000	0.000	0.000	
Chkd. By	Dt.	ECR/ Rev No	Dt.	Pro.Plnr	Rate Fixr / Tool Plnr	Pg no	No.of Pgs	
LS	12.09.2023	00		LSN	LS	1	2	

		TECHNOLOGICAL PROCESS				Production Order	Date
Plant:P003		Equipment No:				102042046	11.08.2023
Type		Work Order / PGMA		Customer			Part No
Drawing No.-Var		E.Rev.	T.Rev.	Material No.		Name Of The Part	
23540651006		06		23540651006-06E		TIP, F/N GAS, 5.05x8 with Center Hole	
Pos.No	BOM Qty	Ord Qty	MU	St.	Nt.Wt.	Remarks	
	10.000	10.000	EA	IS85	0.930	TIP, FUEL NOZZLE - GAS	
Operation Details							
Opr No	W.C.	Plant	Ctl. ky	Prep Time	Time/ PC(M)	Time/ PC(L)	QC Signature
PRT Cat	PRT No.			PRT Description			
Sub Operation Text							
INSPECTION							

SAP PRINT

Chkd. By	Dt.	ECR/ Rev No	Dt.	Pro.Plnr	Rate Fixr / Tool Plnr	Pg no	No.of Pgs
LS	12.09.2023	00		LSN	LS	2	2