

ESP-001-2A  
Rev.00



**PROJECT ENGINEERING & SYSTEMS DIVISION  
HYDERABAD**

Spec No: PY 51782

Rev. No. | 00

Page 1 of 10

**COPYRIGHT AND CONFIDENTIAL**

The information on this document is the property of **BHARAT HEAVY ELECTRICALS LIMITED**,  
It must not be used directly or indirectly in any way detrimental to the interest of the company.

**JOB SPECIFICATION  
FOR  
COMPUTER HARDWARES FOR  
“LAYOUT DEVELOPMENT” PROJECT**

**Revisions:**  
Refer to record of revisions

**Prepared by :**

Ch.P

**Checked by :**

AKS

**Approved by :**

MSSN

**Date :**

07.10.21



**(NOTE: PRE-BID queries if any, shall be raised and settled by the bidder before submission of offer. In case there is no change in the technical scope/specification/ commercial terms & conditions, the bidder shall not be allowed to change price bid after the bid due date.)**

### 1.0 INTENT OF SPECIFICATION:

This Job specification is intended to cover the technical requirements of Computer Hardware for undertaking various works at Aakanksha, Delhi on behalf of BHEL, for supply Installation Testing and Commissioning of listed items in scope of supply.

The Computer Hardware shall include 05 workstations, 05 printers, 01 laptop along with required office software and necessary peripherals/ UPS etc. to be installed, along with their AMC for 5 years. The Computer hardware, software along with related peripherals, printers and UPS shall be the property of customer.

### 2.0 PROJECT DATA

Project	:	Layout development of Steam Turbine Plant (STP) compartment
Project Location	:	Aakanksha, Delhi

### 3.0 SCOPE OF SUPPLY:

For undertaking various works related to official letters, drafts, presentations, 3D modelling, AutoCAD, NX platform etc. the following computer hardware are to be supplied.

- a) **Office Desktop** – 2 nos.

Model: Dell / HP or equivalent (Refer Enclosure 1 for specification and details)

- b) **Desktop Monitor** – 2 nos.

Model: Dell / HP or equivalent (Refer Enclosure 2 for specification and details)

- c) **All-in- One Desktop** – 3 nos.

Model: Dell / HP or equivalent (Refer Enclosure 3 for specification and details)

- d) **Desktop Software** – 5 nos.

Each Desktop / all-in-one (Sl. No. (a), (c) above) shall be supplied with Windows 10 pro and MS Office Home & Business 2019 with valid licenses for life time.



e) **Laptop** – 1 no.

Display 15 inch, Specification and quality shall be similar to “New Dell Precision 15 3560 mobile workstation” or equivalent.

f) **Printer type 1** – 1 no.

Model no. Konica Minolta bizhub C368 with Reverse Automatic Document feeder DF-629, Fiery Image Controller IC-416, Paper feed Cabinet PC-110, Paper feed Cabinet PC-210, (Refer Enclosure 4 for specification and details).

g) **Printer type 2** – 4 nos.

Model no. EPSON Ecotank L15150, (Refer Enclosure 5 for specification and details)

h) **UPS** – 5nos.

Model no. BackUPS Pro Range BR1500G-IN/ BR1000G-IN/ BR24BPG-IN, (Refer Enclosure 6 for specification and details)

i) **Printer Cartridges**: One set per Printer per year.

j) **AMC** for 5 years for all the above items except Sl. No. (d).

#### 4.0 INSTALLATION

For installation, a brief scope of work is given as under. However, if any activity or component is required for the completeness or successful functioning of any item, the same shall also be part of the scope of supply and work:

I. Installation of PC /Workstations / Laptop:

- a. Inventory & Configuration verification against ordered specifications
- b. Installation of OS
- c. Installation of latest OS Service Pack & security patches
- d. Network Configuration
- e. Printer Driver installation & configuration
- f. Email Client configuration
- g. Internet configuration

II. Installation of Printers

- a. Inventory & Configuration verification against Ordered Specifications
- b. Perform power on self-test
- c. Network Configuration



- d. Driver Installation on client machines
- e. Perform system & verification test

### 5.0 MAINTENANCE

The Bidder shall maintain an uptime of 98% and above per month, for all the supplied items. The deduction for downtime will be calculated for the uptime below the minimum level for each equipment as mentioned below:

Sl. No.	Downtime	Deduction factor
1	0 to 2%	Zero
2	2 to 5%	1.0
3	>5 to 10%	1.25
4	Above 10%	1.5

Working calculation for deduction:

Let downtime in a month	=	A hours
Downtime percentage PC's & Peripherals	=	$A \times 100 / (8 \times 30) = B$
Deduction factor according to the table	=	D
Monthly equipment lease charges	=	Equipment Quarterly lease/3
	=	M Rupees
Amount of deduction	=	$M \times B \times D / 100$ Rupees

Note: If the uptime for equipment/system falls below 95% continuously for 3 months, the system/ equipment shall have to be replaced by the Bidder, without any extra charge.

### 6.0 SPECIAL INSTRUCTIONS:

- a) No deviation is acceptable w.r.t scope of supply.
- b) Bidder will supply original software/ patches/ service packs/ updates/ any other deliverables.
- c) All the items i.e. Desktops, Laptop, Printers and UPS shall be covered with an annual maintenance contract (AMC) for 5 years.
- d) AMC period of five years shall start from the date of successful installation of equipment by Bidder and acceptance by Customer / BHEL.



- e) All equipment supplied and installed shall be NEW and conforming to the contract technical specifications.
- f) The Bidder has also to produce a certificate from his principal OEM for back-to-back support for the complete AMC period for all items.
- g) Bidder has to complete installation of all equipment at the locations identified by BHEL.
- h) Maintenance shall cover services, repairs and replacements necessary to keep the equipment in good working order. Preventive maintenance, wherever required, should be carried out to keep the equipment in good working conditions. Maintenance shall include replacement of all plastic and rubber parts, Fuser Assembly, Maintenance Kits, CMOS Batteries, and Printer / Plotters heads, Printer trays etc.
- i) Sufficient stock of spares shall be maintained for proper timely maintenance of the PCs and Printers. Spares used shall be of same quality / brand as original part. All the maintenance spares are in the scope of supplier and will be at free of cost.
- j) Bidders must offer all the software, licenses and support for complete solution. All licenses must be in the name of BHEL. Licenses must clearly mention their validity period and renewal policies.
- k) The bidder shall include and provide all other Hardware or Software items that are not explicitly mentioned herein but are required to full-fill the intended specifications.
- l) No item shall be offered whose end-of-sale has been declared by the OEM or has been declared to be under phase out.

The bidder shall closely pursue all the clauses, specifications and requirements etc., indicated in the tender documents, before quoting. Should the bidder have any doubt about the meaning of any portion of the tender specifications or find discrepancies or omissions in the specifications or if the tender documents are found to be incomplete or require clarifications on any of the technical aspects, scope of work etc., he shall at once contact the official inviting the tenders, for clarifications, before submission of the tender.

#### **7.0 INSPECTION:**

Pre-shipment/Pre-dispatch inspection shall be carried out at the manufacturer's/supplier's works by the authorized representative of BHEL / customer.

**8.0 DOCUMENTS TO BE FURNISHED:**

## a) Along with the offer

Bidder is requested to fill and furnish the following documents duly signed, along with the offer:

1. Filled in Check-list
2. Un-priced Price-bid Format indicating that the bidder had quoted for all the individual line items as per requirement.
3. Filled in annexures

## b) After award of Contract

All the catalogue and documents / information for all the equipment shall be submitted.



### 9.0 PRICE BID FORMAT:

SL. No.	DESCRIPTION	QTY.	UNIT PRICE (Rs.)	TOTAL PRICE (Rs.)
1.	Office Desktop	2		
2.	Desktop Monitor	2		
3.	All-in- One Desktop	3		
4.	Desktop Software	5		
5.	Laptop	1		
6.	Printer type 1	1		
7.	Printer type 2	4		
8.	UPS	5		
9.	Printer Cartridges for Printer type 1	5 set		
10.	Printer Cartridges for Printer type 2	20 set		
11.	AMC of Sl. No. (1), (2) & (3)			
	Price of AMC for first year	1 set		
	Price of AMC for second year	1 set		
	Price of AMC for third year	1 set		
	Price of AMC for fourth year	1 set		
	Price of AMC for fifth year	1 set		
12.	AMC of Sl. No. (5)			
	Price of AMC for first year	1 set		
	Price of AMC for second year	1 set		
	Price of AMC for third year	1 set		



**PROJECT ENGINEERING & SYSTEMS DIVISION  
HYDERABAD**

	Price of AMC for fourth year	1 set		
	Price of AMC for fifth year	1 set		
13.	AMC of Sl. No. (6)			
	Price of AMC for first year	1 set		
	Price of AMC for second year	1 set		
	Price of AMC for third year	1 set		
	Price of AMC for fourth year	1 set		
	Price of AMC for fifth year	1 set		
14.	AMC of Sl. No. (7)			
	Price of AMC for first year	1 set		
	Price of AMC for second year	1 set		
	Price of AMC for third year	1 set		
	Price of AMC for fourth year	1 set		
	Price of AMC for fifth year	1 set		
15.	AMC of Sl. No. (8)			
	Price of AMC for first year	1 set		
	Price of AMC for second year	1 set		
	Price of AMC for third year	1 set		
	Price of AMC for fourth year	1 set		
	Price of AMC for fifth year	1 set		
	<b>TOTAL PRICE (Rs.)</b>			

## NOTES:

- i) Bidder to quote strictly as per BHEL's NIT requirements.

**PROJECT ENGINEERING & SYSTEMS DIVISION  
HYDERABAD**


- ii) Bidder to note that this is a LUMP SUM Turn-Key Order. Any additional claim after placement of order will not be entertained under any circumstances.
- iii) **Evaluation of L1 bidder shall be based on TOTAL PRICE (Rs.) (Sl. No.1 to Sl. No.15) mentioned above.**
- iv) Bidder to quote strictly in the price bid format with line wise itemized price and quantity, failing which the bidder's offer shall be liable for rejection.
- v) Bidder to quote the base rates only. All applicable taxes and duties shall be indicated separately for the supply portion and erection supervision & commissioning portion.
- vi) Bidder shall raise any pre-bid queries (if any) prior to preparation and finalization of their offer. With respect to purchaser's clarification to pre-bid queries, Bidder to submit their offer without any deviations.
- vii) AMC services (i.e. sl. No. 11, 12, 13, 14, & 15 of price bid above) shall be considered for L1 evaluation. However, the ordering may or may not be included along with the supply. It shall be at the discretion of BHEL.

Signature of Bidder's

Authorized representative .....

Date.....



ESP-001-2A Rev.00		<b>PROJECT ENGINEERING &amp; SYSTEMS DIVISION HYDERABAD</b>	Doc. No:	
			Rev. No.	01
			Page 1 of 3	

**ANNEXURE – I**

**KEY INFORMATION**

1.	Name of the Bidding Company	
2.	Registered in (mention the name of the Country)	
3.	Name, designation, telex & telephone number and postal address of responsible officer of Bidder to whom all reference shall be made for expeditious co-ordination.	
4.	Name, designation, telex & telephone number and postal address of responsible officer of Indian Agent.	
5.	Bidder's proposal number	
6.	Bidder's proposal date	
7.	Validity of offer, counted from the date of opening of bid	
8.	Guaranteed completion period, counted from date of issuance of LOI/TOI	
9.	Confirm that Scope of supply and services are exactly as per specification requirement	Yes/No
10.	Confirm Technical Compliance with Specification	Yes/No
11.	Confirm that deviations, if applicable, have been furnished as per Annexure-V	Yes/No

ESP-001-2A

Rev. 00



**PROJECT ENGINEERING & SYSTEMS DIVISION  
HYDERABAD**

Doc. No:

Rev. No.

01

Page 2 of 3

Signature of Bidder's

Authorized representative .....

Date.....



**ANNEXURE – II**

**DEVIATION FROM SPECIFICATION**

If the proposal submitted has got any deviation from the technical stipulations in the bidding document, the Bidder shall tabulate below the full particulars of such deviations and shall sign below. Additional sheets may be enclosed, if necessary. Deviation is to be furnished with mention of specific clause numbers. Technical and commercial deviations to scope of supply and services, shall be indicated separately. Bidders shall bring out only those deviations which are impractical to meet (or) not advisable

Sl. No.	CLAUSE NO.	DESCRIPTION AS PER SPECIFICATION	DEVIATION BY BIDDER

We confirm that all the deviations/exceptions to the Technical Specification and enclosures including reference documents attached, are listed in this Annexure only. No other deviations or exceptions, even if mentioned elsewhere, shall be considered for any technical/ commercial evaluation or for ordering.

Signature of Bidder's

Authorized representative.....

Date .....

# OptiPlex 7090 Tower Setup and Specifications





# Specifications of OptiPlex 7090 Tower

## Dimensions and weight

The following table lists the height, width, depth, and weight of your OptiPlex 7090 Tower.

Table 2. Dimensions and weight

Description	Values
Height:	
Front height	367.00 mm (14.45 in.)
Rear height	367.00 mm (14.45 in.)
Width	169.00 mm (6.65 in.)
Depth	300.80 mm (11.84 in.)
Weight	<ul style="list-style-type: none"> <li>Minimum - 6.56 kg (14.46 lb)</li> <li>Maximum - 10.22 kg (22.53 lb)</li> </ul>
ⓘ NOTE: The weight of your computer depends on the configuration ordered and manufacturing variability.	

## Processors

The following table lists the details of the processors supported by your OptiPlex 7090 Tower

ⓘ NOTE: Global Standard Products (GSP) are a subset of Dell's relationship products that are managed for availability and synchronized transitions on a worldwide basis. They ensure the same platform is available for purchase globally. This allows customers to reduce the number of configurations managed on a worldwide basis, thereby reducing their costs. They also enable companies to implement global IT standards by locking in specific product configurations worldwide.

Device Guard (DG) and Credential Guard (CG) are the new security features that are only available on Windows 10 Enterprise today.

Device Guard is a combination of enterprise-related hardware and software security features that, when configured together, will lock a device down so that it can only run trusted applications. If it is not a trusted application, it cannot run.

Credential Guard uses virtualization-based security to isolate secrets (credentials) so that only privileged system software can access them. Unauthorized access to these secrets can lead to credential theft attacks. Credential Guard prevents these attacks by protecting NTLM password hashes and Kerberos Ticket Granting Tickets.

ⓘ NOTE: Processor numbers are not a measure of performance. Processor availability is subject to change and may vary by region/country.

Table 3. Processors

Processors	Wattage	Core count	Thread count	Speed	Cache	Integrated graphics	GSP	DG/CG Ready
10 <sup>th</sup> Generation	65 W	4	8	3.70 GHz to 4.40 GHz	6 MB	Intel UHD Graphics	No	Yes



Table 3. Processors (continued)

Processors	Wattage	Core count	Thread count	Speed	Cache	Integrated graphics	GSP	DG/CG Ready
Intel Core i3-10105								
10 <sup>th</sup> Generation Intel Core i3-10305	65 W	4	8	3.80 GHz to 4.50 GHz	8 MB	Intel UHD Graphics	No	Yes
10 <sup>th</sup> Generation Intel Core i5-10400	65 W	6	12	2.90 GHz to 4.30 GHz	12 MB	Intel UHD Graphics	Yes	Yes
10 <sup>th</sup> Generation Intel Core i5-10500	65 W	6	12	3.10 GHz to 4.50 GHz	12 MB	Intel UHD Graphics	Yes	Yes
10 <sup>th</sup> Generation Intel Core i5-10505	65 W	6	12	3.20 GHz to 4.60 GHz	12 MB	Intel UHD Graphics	No	Yes
10 <sup>th</sup> Generation Intel Core i5-10600	65 W	6	12	3.30 GHz to 4.80 GHz	12 MB	Intel UHD Graphics	Yes	Yes
10 <sup>th</sup> Generation Intel Core i7-10700	65 W	8	16	2.90 GHz to 4.80 GHz	16 MB	Intel UHD Graphics	Yes	Yes
10 <sup>th</sup> Generation Intel Core i9-10900	65 W	10	20	2.80 GHz to 5.20 GHz	20 MB	Intel UHD Graphics	Yes	Yes
10 <sup>th</sup> Generation Intel Core i7-10700K	125 W	8	16	3.80 GHz to 5.00 GHz	16 MB	Intel UHD Graphics	Yes	Yes
10 <sup>th</sup> Generation Intel Core i9-10900K	125 W	10	20	3.70 GHz to 5.30 GHz	20 MB	Intel UHD Graphics	Yes	Yes
11 <sup>th</sup> Generation Intel Core i5-11400	65 W	6	12	2.60 GHz to 4.40 GHz	12 MB	Intel UHD Graphics	Yes	Yes
11 <sup>th</sup> Generation Intel Core i5-11500	65 W	6	12	2.70 GHz to 4.60 GHz	12 MB	Intel UHD Graphics	Yes	Yes

Table 3. Processors (continued)

Processors	Wattage	Core count	Thread count	Speed	Cache	Integrated graphics	GSP	DG/CG Ready
11 <sup>th</sup> Generation Intel Core i5-11600	65 W	6	12	2.80 GHz to 4.80 GHz	12 MB	Intel UHD Graphics	Yes	Yes
11 <sup>th</sup> Generation Intel Core i7-11700	65 W	8	16	2.50 GHz to 4.90 GHz	16 MB	Intel UHD Graphics	Yes	Yes
11 <sup>th</sup> Generation Intel Core i9-11900	65 W	8	16	2.50 GHz to 5.20 GHz	16 MB	Intel UHD Graphics	Yes	Yes
11 <sup>th</sup> Generation Intel Core i9-11700K	125 W	8	16	3.60 GHz to 5.00 GHz	16 MB	Intel UHD Graphics	Yes	Yes
11 <sup>th</sup> Generation Intel Core i9-11900K	125 W	8	16	3.50 GHz to 5.30 GHz	16 MB	Intel UHD Graphics	Yes	Yes

## Chipset

The following table lists the details of the chipset supported by your OptiPlex 7090 Tower

Table 4. Chipset

Description	Option one	Option two
Processors	10 <sup>th</sup> Generation Intel Core i3/i5	11 <sup>th</sup> Generation Intel Core i5/i7/i9
Chipset	Intel Q570	Intel Q570
DRAM bus width	64-bit (for single channel)	64-bit (for single channel)
Flash EPROM	32 MB	32 MB
PCIe bus	Up to Gen 3.0	Up to Gen 3.0

## Operating system

Your OptiPlex 7090 Tower supports the following operating systems:

- ✘ • Windows 10 Home, 64-bit
- ✓ • Windows 10 Pro, 64-bit
- Windows 10 Pro National Academic, 64-bit
- Ubuntu Linux 20.04 LTS, 64-bit
- NeoKylin 7.0 (China only)

# Memory

The following table lists the memory specifications of your OptiPlex 7090 Tower.

Table 5. Memory specifications

Description	Values
Memory slots	Four DIMM slots
Memory type	DDR4
Memory speed	2666/2933/3200 MHz
Maximum memory configuration	128 GB
Minimum memory configuration	4 GB
Memory size per slot	4 GB, 8 GB, 16 GB, 32 GB
Memory configurations supported	<ul style="list-style-type: none"> <li>• 4 GB, 1 x 4 GB, 2666 MHz for 10<sup>th</sup> Generation Intel Core i3/i5 processors, 3200 MHz for 11<sup>th</sup> Generation Intel Core i5/i7/i9 processors</li> <li>• 8 GB, 1 x 8 GB, 2666 MHz for 10<sup>th</sup> Generation Intel Core i3/i5 processors, 3200 MHz for 11<sup>th</sup> Generation Intel Core i5/i7/i9 processors</li> <li>• 8 GB, 2 x 4 GB, 2666 MHz for 10<sup>th</sup> Generation Intel Core i3/i5 processors, 3200 MHz for 11<sup>th</sup> Generation Intel Core i5/i7/i9 processors</li> <li>• 16 GB, 1 x 16 GB, 2666 MHz for 10<sup>th</sup> Generation Intel Core i3/i5 processors, 3200 MHz for 11<sup>th</sup> Generation Intel Core i5/i7/i9 processors</li> <li>• 16 GB, 2 x 8 GB, 2666 MHz for 10<sup>th</sup> Generation Intel Core i3/i5 processors, 3200 MHz for 11<sup>th</sup> Generation Intel Core i5/i7/i9 processors</li> <li>• 32 GB, 1 x 32 GB, 2666 MHz for 10<sup>th</sup> Generation Intel Core i3/i5 processors, 3200 MHz for 11<sup>th</sup> Generation Intel Core i5/i7/i9 processors</li> <li>• 32 GB, 2 x 16 GB, 2666 MHz for 10<sup>th</sup> Generation Intel Core i3/i5 processors, 3200 MHz for 11<sup>th</sup> Generation Intel Core i5/i7/i9 processors</li> <li>• 32 GB, 4 x 8 GB, 2666 MHz for 10<sup>th</sup> Generation Intel Core i3/i5 processors, 3200 MHz for 11<sup>th</sup> Generation Intel Core i5/i7/i9 processors</li> <li>• 64 GB, 2 x 32 GB, 2666 MHz for 10<sup>th</sup> Generation Intel Core i3/i5 processors, 3200 MHz for 11<sup>th</sup> Generation Intel Core i5/i7/i9 processors</li> <li>• 64 GB, 4 x 16 GB, 2666 MHz for 10<sup>th</sup> Generation Intel Core i3/i5 processors, 3200 MHz for 11<sup>th</sup> Generation Intel Core i5/i7/i9 processors</li> <li>• 128 GB, 4 x 32 GB, 2666 MHz for 10<sup>th</sup> Generation Intel Core i3/i5 processors, 2933 MHz for 11<sup>th</sup> Generation Intel Core i5/i7/i9 processors</li> </ul>

# Memory configuration matrix

Table 6. Memory configuration matrix

Configuration	Slot			
	XMM1	XMM2	XMM3	XMM4
4 GB DDR4	4 GB			
8 GB DDR4	4 GB	4 GB		
8 GB DDR4	8 GB			
16 GB DDR4	8 GB	8 GB		
16 GB DDR4	16 GB			
32 GB DDR4	8 GB	8 GB	8 GB	8 GB
32 GB DDR4	16 GB	16 GB		
32 GB DDR4	32 GB			
64 GB DDR4	16 GB	16 GB	16 GB	16 GB
64 GB DDR4	32 GB	32 GB		
64 GB DDR4	64 GB			
128 GB DDR4	32 GB	32 GB	32 GB	32 GB

## Intel Optane memory

Intel Optane memory functions only as a storage accelerator. It neither replaces nor adds to the memory (RAM) installed on your computer.

NOTE: Intel Optane memory is supported on computers that meet the following requirements:

- 7<sup>th</sup> Generation or higher Intel Core i3/i5/i7 processor
- Windows 10 64-bit version or higher (Anniversary Update)
- Latest version of Intel Rapid Storage Technology driver

Table 7. Intel Optane memory

Description	Values
Type	Memory/Storage/Storage accelerator
Interface	Gen 3 PCIe x4 NVMe
Connector	M.2 2280
Configurations supported	32 GB + 512 GB SDD
Capacity	32 GB

## External ports

The following table lists the external ports of your OptiPlex 7090 Tower.

Table 8. External ports

Description	Values
✓ Network port	One RJ-45 port 10/100/1000 Mbps (rear)
✓ USB ports	<ul style="list-style-type: none"> <li>• One USB 2.0 port with PowerShare (front)</li> <li>• One USB 3.2 Gen 2 port (front)</li> <li>• One USB 3.2 Gen2x2 capable Type-C port with PowerDelivery (front)</li> <li>• One USB 2.0 port (front)</li> <li>• One USB 3.2 Gen 2 port (rear)</li> <li>• Two USB 2.0 ports with Smart Power On (rear)</li> <li>• Three USB 3.2 Gen 1 ports (rear)</li> <li>• One USB 3.2 Gen 2 Type-C Alt-Mode (rear) (optional)</li> </ul>
✓ Audio port	<ul style="list-style-type: none"> <li>• One Universal Audio Jack (front)</li> <li>• One Line-out audio port with re-tasking to Line-in (rear)</li> </ul>
✓ Video port	<ul style="list-style-type: none"> <li>• Two DisplayPort 1.4 ports (rear)</li> <li>• One VGA Port/DisplayPort 1.4 Port/HDMI 2.0b Port/ USB 3.2 Gen2 Type-C Port with Alt-mode (optional)</li> </ul>
X Media-card reader	One SD-card slot (optional)
Power-adaptor port	NA
Security-cable slot	One Kensington security-cable slot

## Internal slots

The following table lists the internal slots of your OptiPlex 7090 Tower.

Table 9. Internal slots

Description	Values
✓ Expansion	<ul style="list-style-type: none"> <li>• One full-height Gen 4 PCIe x16 slot</li> <li>• One full-height PCIe x16 (wired x4) slot</li> <li>• One full-height PCIe x1 slots</li> <li>• One full-height PCIe-32 slot</li> </ul>
✓ SATA	Four SATA slots for 2.5-inch Hard disk drive/Solid-state drive/Optical Disk Drive
M.2	<ul style="list-style-type: none"> <li>• One M.2 2230 slot for WiFi and Bluetooth card</li> <li>✓ One M.2 2230 slot for solid-state drive</li> <li>• One M.2 2230/2280 slot for solid-state drive/Intel Optane</li> </ul> <p>① NOTE: To learn more about the features of different types of M.2 cards, see the knowledge base article <a href="https://www.dell.com/support">SLN301626</a> at <a href="https://www.dell.com/support">www.dell.com/support</a>.</p>

# Communications

## Ethernet

Table 10. Ethernet specifications

Description	Values
Model number	Intel i219LM
Transfer rate	10/100/1000 Mbps

## Wireless module

Table 11. Wireless module specifications

Description	Values		
	Model number	Qualcomm QCA61x4a	Qualcomm QCA9377
Transfer rate	Up to 867 Mbps	Up to 433 Mbps	Up to 2.4 Gbps
Frequency bands supported	2.4 GHz/5 GHz	2.4 GHz/5 GHz	2.4 GHz/5 GHz
Wireless standards	802.11ac	802.11ac	802.11ax (Wi-Fi 6)
Encryption	<ul style="list-style-type: none"> <li>64-bit and 128-bit WEP</li> <li>128-bit AES-CCMP</li> <li>TKIP</li> </ul>	<ul style="list-style-type: none"> <li>64-bit and 128-bit WEP</li> <li>128-bit AES-CCMP</li> <li>TKIP</li> </ul>	<ul style="list-style-type: none"> <li>64-bit and 128-bit WEP</li> <li>128-bit AES-CCMP</li> <li>TKIP</li> </ul>
Bluetooth	5.0	5.0	5.1

# Audio and Speaker

The following table lists the audio specifications of your OptiPlex 7090 Tower.

Table 12. Audio specifications

Description	Values
Type	4 Channel High Definition Audio
Controller	Realtek ALC3246
Stereo conversion	24-bit DAC (Digital-to-Analog) and ADC (Analog-to-Digital)
Internal interface	Intel HDA (high-definition audio)
External interface	<ul style="list-style-type: none"> <li>One Universal Audio Jack (front)</li> <li>One Line-out audio port with re-tasking to Line-in(rear)</li> </ul>
Speakers	One (optional)
Internal speaker amplifier	Integrated in ALC3246 (Class-D 2 W)
External volume controls	Keyboard shortcut controls.

Table 12. Audio specifications (continued)

Description	Values
Speaker output average	2 W
Speaker output peak	2.5 W
Subwoofer output	Not supported
Microphone	Not supported

## Storage

This section lists the storage options on your OptiPlex 7090 Tower.

Your computer supports one of the following configurations:

Table 13. Storage Matrix

Storage	1st 2.5-inch hard drive	2nd 2.5-inch hard drive	1st 3.5-inch hard drive	2nd 3.5-inch hard drive	Single M.2 socket	2nd M.2 2280 socket	1st Bootable Device
2.5-inch hard drive	Y	N	N	N	N	N	2.5-inch hard drive
Dual 2.5-inch hard drive	Y	Y	N	N	N	N	1st 2.5-inch hard drive
3.5-inch hard drive	N	N	Y	N	N	N	3.5-inch hard drive
2.5-inch hard drive	3.5-inch hard drive	Y	N	Y	N	N	2.5-inch hard drive
3.5-inch hard drive	2.5-inch hard drive	N	Y	Y	N	N	3.5-inch hard drive
3.5-inch hard drive	Dual 2.5-inch hard drive	Y	Y	Y	N	N	3.5-inch hard drive
Dual 2.5-inch hard drive	3.5-inch hard drive	Y	Y	Y	N	N	1st 2.5-inch hard drive
Dual 3.5-inch hard drive	Dual 2.5-inch hard drive	Y	Y	Y	Y	N	1st 2.5-inch hard drive
Dual 3.5-inch hard drive	Dual 2.5-inch hard drive	Y	Y	Y	Y	N	1st 3.5-inch hard drive
M.2 solid-state drive	N	N	N	N	Y	N	M.2 solid-state drive
Dual M.2 solid-state drive	N	N	N	N	Y	Y	1st M.2 solid-

2 Two 3.5 inch hard drive  
One M.2 solid-state drive

Table 13. Storage Matrix (continued)

Storage		1st 2.5-inch hard drive	2nd 2.5-inch hard drive	1st 3.5-inch hard drive	2nd 3.5-inch hard drive	Single M.2 socket	2nd M.2 2280 socket	1st Bootable Device
								state drive
M.2 solid-state drive	3.5-inch hard drive	N	N	Y	N	Y	N	M.2 solid-state drive
M.2 solid-state drive	2.5-inch hard drive/ solid-state drive	N	Y	N	N	Y	N	M.2 solid-state drive
M.2 solid-state drive	Dual 2.5-inch hard drive	Y	Y	N	N	Y	N	M.2 solid-state drive
M.2 Intel Optane	2.5-inch hard drive	Y	N	N	N	Y	N	2.5-inch hard drive
M.2 Intel Optane	Dual 2.5-inch hard drive	Y	Y	N	N	Y	N	2.5-inch hard drive
M.2 Intel Optane	3.5-inch hard drive	N	N	Y	N	Y	N	3.5-inch hard drive
M.2 Intel Optane	2.5-inch hard drive	Y	N	Y	N	Y	N	2.5-inch hard drive
M.2 Intel Optane	3.5-inch hard drive	N	Y	Y	N	Y	N	3.5-inch hard drive

Table 14. Storage specifications

Storage type	Interface type	Capacity
2.5-inch, 5400 RPM, hard-disk drive	SATA 3.0	Up to 2 TB
2.5-inch, 7200 RPM, hard-disk drive	SATA 3.0	Up to 1 TB
2.5-inch, 7200 RPM, FIPS Self Encrypting Opal 2.0, hard-disk drive	SATA 3.0	Up to 500 GB
3.5-inch, 5400 RPM, hard-disk drive	SATA 3.0	4 TB
3.5-inch, 7200 RPM, hard-disk drive	SATA 3.0	Up to 2 TB
M.2 2230 solid-state drive	PCIe 3 Gen x4 NVMe, Class 35	Up to 512 GB
M.2 2280 solid-state drive	PCIe 3 Gen x4 NVMe, Class 40	Up to 2 TB
M.2 2280 Opal Self-Encrypting solid-state drive	PCIe 3 Gen x4 NVMe, Class 40	Up to 1 TB
M.2 2280 Opal Self-Encrypting solid-state drive	PCIe NVMe Gen3 x4, Class 40	Up to 1 TB

# Power ratings

Table 15. Power adapter specifications

Description	Values			
	260 W typical 92% Efficient PSU, 80 Plus Bronze	300 W typical 85% Efficient PSU, 80 Plus Platinum	360 W typical 92% Efficient PSU, 80 Plus Platinum	500 W typical 92% Efficient PSU, 80 Plus Platinum
Type	260 W typical 92% Efficient PSU, 80 Plus Bronze	300 W typical 85% Efficient PSU, 80 Plus Platinum	360 W typical 92% Efficient PSU, 80 Plus Platinum	500 W typical 92% Efficient PSU, 80 Plus Platinum
Input voltage	90 VAC to 264 VAC	90 VAC to 264 VAC	90 VAC to 264 VAC	90 VAC to 264 VAC
Input frequency	47 Hz to 63 Hz	47 Hz to 63 Hz	47 Hz to 63 Hz	47 Hz to 63 Hz
Input current (maximum)	4.2 A	4.5 A	5 A	7 A
Output current (continuous)	<ul style="list-style-type: none"> <li>12 VA/16.5 A</li> <li>12 VB/18 A</li> </ul> Standby mode: <ul style="list-style-type: none"> <li>12 VA/1.5 A</li> <li>12 VB/2.5 A</li> </ul>	<ul style="list-style-type: none"> <li>12 VA/16.5 A</li> <li>12 VB/18 A</li> </ul> Standby mode: <ul style="list-style-type: none"> <li>12 VA/1.5 A</li> <li>12 VB/2.5 A</li> </ul>	<ul style="list-style-type: none"> <li>12 VA/18 A</li> <li>12 VB/18 A</li> <li>12 VC/18 A</li> </ul> Standby mode: <ul style="list-style-type: none"> <li>12 VA/1.5 A</li> <li>12 VB/2.5 A</li> <li>12 VC/0 A</li> </ul>	<ul style="list-style-type: none"> <li>12 VA/18 A</li> <li>12 VB/18 A</li> <li>12 VC/18 A</li> </ul> Standby mode: <ul style="list-style-type: none"> <li>12 VA/1.5 A</li> <li>12 VB/2.5 A</li> <li>12 VC/0 A</li> </ul>
Rated output voltage	<ul style="list-style-type: none"> <li>+12 VA</li> <li>+12 VB</li> </ul>	<ul style="list-style-type: none"> <li>+12 VA</li> <li>+12 VB</li> </ul>	<ul style="list-style-type: none"> <li>+12 VA</li> <li>+12 VB</li> <li>+12 VC</li> </ul>	<ul style="list-style-type: none"> <li>+12 VA</li> <li>+12 VB</li> <li>+12 VC</li> </ul>
Temperature range:				
Operating	5°C to 45°C (41°F to 113°F)	5°C to 45°C (41°F to 113°F)	5°C to 45°C (41°F to 113°F)	5°C to 45°C (41°F to 113°F)
Storage	-40°C to 70°C (-40°F to 158°F)	-40°C to 70°C (-40°F to 158°F)	-40°C to 70°C (-40°F to 158°F)	-40°C to 70°C (-40°F to 158°F)

# Power Supply power cable specs

Table 16. Power Supply power cable specs

260 W (80 PLUS Bronze)	<ul style="list-style-type: none"> <li>Two 4 pin connectors for processor</li> <li>One 6 pin connector for system board</li> </ul>
300 W (80 PLUS Platinum)	<ul style="list-style-type: none"> <li>Two 4 pin connectors for processor</li> <li>One 6 pin connector for system board</li> </ul>
360 W (80 PLUS Platinum)	<ul style="list-style-type: none"> <li>Two 4 pin connectors for processor</li> <li>One 6 pin connector for system board</li> </ul>
500 W (80 PLUS Platinum)	<ul style="list-style-type: none"> <li>Two 4 pin connectors for processor</li> <li>One 6 pin connector for system board</li> <li>One 6 pin + 8 pin connector for graphics card</li> </ul>

## GPU—Integrated

The following table lists the specifications of the integrated Graphics Processing Unit (GPU) supported by your OptiPlex 7090 Tower.

Table 17. GPU—Integrated

Controller	External display support	Memory size	Processor
Intel UHD Graphics 630	Two DisplayPort 1.4 ports	Shared system memory	10 <sup>th</sup> Generation Intel Core i3/i5
Intel UHD Graphics 730	Two DisplayPort 1.4 ports	Shared system memory	11 <sup>th</sup> Generation Intel Core i5-11400
Intel UHD Graphics 750	Two DisplayPort 1.4 ports	Shared system memory	11 <sup>th</sup> Generation Intel Core i5/i7/i9

## GPU — Discrete

The following table lists the specifications of the discrete graphics processing unit (GPU) supported by your OptiPlex 7090 Tower.

Table 18. GPU — Discrete

Controller	External display support	Memory size	Memory type
NVIDIA GeForce RTX 3070	<ul style="list-style-type: none"> <li>• Three DisplayPort 1.4 ports</li> <li>• One HDMI 2.0b</li> </ul>	8 GB	GDDR6
NVIDIA GeForce GTX 1660 SUPER	<ul style="list-style-type: none"> <li>• One DisplayPort 1.4</li> <li>• One HDMI 2.0b</li> <li>• DVI-D</li> </ul>	6 GB	GDDR6
AMD Radeon RX 640	<ul style="list-style-type: none"> <li>• One DisplayPort 1.4</li> <li>• Two mini DisplayPort (mDP) ports</li> </ul>	4 GB	GDDR5
AMD Radeon 550	Two DisplayPort 1.4 ports	4 GB	GDDR5
AMD Radeon 540	Two DisplayPort 1.2 ports	4 GB	GDDR5

## Multiple display support matrix

Table 19. Integrated graphics card

Graphics Card	Intel UHD 630
Video ports on Integrated Graphics Card	<ul style="list-style-type: none"> <li>• 1 x DisplayPort 1.4 port</li> <li>• 1 x DisplayPort 1.4 port (optional)</li> <li>• 1 x VGA (optional)</li> <li>• 1 x HDMI2.0 (optional)</li> </ul>
Video port on Option Video module	VGA/ HDMI2.0/ DP++ 1.2/ TypeC w/DP-Alt mode
Number of displays	4

## Monitor specifications

<b>Model</b>	<b>S2722QC</b>
Screen type	Active matrix - TFT LCD
Panel technology	IPS
Aspect ratio	16:9
Viewable image	
Diagonal	684.67 mm (26.95 in.)
Width (active area)	596.74 mm (23.49 in.)
Height (active area)	335.66 mm (13.21 in.)
Total area	200301.75 mm <sup>2</sup> (310.30 in. <sup>2</sup> )
Pixel pitch	0.1554 x 0.1554 mm
Pixel per inch (PPI)	163
Viewing angle	
Vertical	178° (typical)
Horizontal	178° (typical)
Luminance output	350 cd/m <sup>2</sup> (typical)
Contrast ratio	1000 to 1 (typical)
Faceplate coating	Anti-Glare treatment of the front polarizer (Haze 25%, 3H)
Backlight	White LED edgelight system
Response time	8 ms gray to gray in <b>Normal</b> mode 5 ms gray to gray in <b>Fast</b> mode 4 ms gray to gray in <b>Extreme</b> mode* *The 4 ms gray-to-gray mode is achievable in <b>Extreme</b> mode to reduce visible motion blur and increased image responsiveness. However this may introduce some slight and noticeable visual artifacts into the image. As every system setup and every user's needs are different, we recommend that users experiment with the different modes to find the setting that is right for them.



Color depth	1.07 billion colors
Color gamut	sRGB 99% (typical)
Connectivity	<ul style="list-style-type: none"> <li>• 1 x USB Type-C upstream port (Alternate mode with DisplayPort 1.4, Power Delivery up to 65 W)*</li> <li>• 1 x SuperSpeed USB 5 Gbps (USB 3.2 Gen 1) with BC1.2 charging capability at 2 A (maximum)</li> <li>• 1 x SuperSpeed USB 5 Gbps (USB 3.2 Gen 1) downstream port</li> <li>• 2 x HDMI ports version 2.0 (HDCP 2.3 &amp; 1.4)</li> <li>• 1 x audio line-out port</li> </ul>
Border width (edge of monitor to active area)	
Top	7.42 mm
Left/Right	7.43 mm/7.43 mm
Bottom	21.55 mm
Adjustability	
Tilt	-5° to 21°
Swivel	-30° to 30°
Pivot	-90° to 90°
Height adjustable stand	110 mm
Built-in speakers	2 x 3 W sound output
Dell Display Manager compatibility	Easy Arrange and other key features
Security	Security-lock slot (cable lock sold separately)

\*DisplayPort and USB Type-C (Alternate mode with DisplayPort 1.4): HBR3/DisplayPort 1.4/ DP audio is supported.



## Resolution specifications

Model	S2722QC
Horizontal scan range	10 kHz to 137 kHz (automatic)
Vertical scan range	24 Hz to 76 Hz (automatic)
Maximum preset resolution	3840 x 2160 at 60 Hz

## Supported video modes

Model	S2722QC
Video display capabilities (HDMI & USB Type-C alternate mode)	480p, 480i, 576p, 576i, 720p, 1080i, 1080p, QHD, UHD

## Preset display modes

### HDMI display modes

Display mode	Horizontal frequency (kHz)	Vertical frequency (Hz)	Pixel clock (MHz)	Sync polarity (Horizontal/Vertical)
720 x 400	31.47	70.08	28.32	-/+
VESA, 640 x 480	31.50	59.94	25.20	-/-
VESA, 640 x 480	37.50	75.00	31.50	-/-
VESA, 800 x 600	37.90	60.30	40.00	+/+
VESA, 800 x 600	46.90	75.00	49.50	+/+
VESA, 1024 x 768	48.40	60.00	65.00	-/-
VESA, 1024 x 768	60.00	75.00	78.80	+/+
VESA, 1152 x 864	67.50	75.00	108.00	+/+
VESA, 1280 x 1024	64.00	60.00	108.00	+/+
VESA, 1280 x 1024	80.00	75.00	135.00	+/+
VESA, 1600 x 900	60.00	60.00	108.00	+/+
VESA, 1600 x 1200	75.00	60.00	162.00	+/+



VESA, 1920 x 1080	67.50	60.00	148.50	+/+
2048 x 1280	78.92	59.92	174.25	-/+
2560 x 1440	88.79	59.95	241.50	+/-
3840 x 2160	135.00	60.00	594.00	+/+

## DP display modes

Display mode	Horizontal frequency (kHz)	Vertical frequency (Hz)	Pixel clock (MHz)	Sync polarity (Horizontal/Vertical)
720 x 400	31.47	70.08	28.32	-/+
VESA, 640 x 480	31.50	59.94	25.20	-/-
VESA, 640 x 480	37.50	75.00	31.50	-/-
VESA, 800 x 600	37.90	60.30	40.00	+/+
VESA, 800 x 600	46.90	75.00	49.50	+/+
VESA, 1024 x 768	48.40	60.00	65.00	-/-
VESA, 1024 x 768	60.00	75.00	78.80	+/+
VESA, 1152 x 864	67.50	75.00	108.00	+/+
VESA, 1280 x 1024	64.00	60.00	108.00	+/+
VESA, 1280 x 1024	80.00	75.00	135.00	+/+
VESA, 1600 x 900	60.00	60.00	108.00	+/+
VESA, 1600 x 1200	75.00	60.00	162.00	+/+
VESA, 1920 x 1080	67.50	60.00	148.50	+/+
2048 x 1280	78.92	59.92	174.25	-/+
2560 x 1440	88.79	59.95	241.50	+/-
3840 x 2160	133.31	60.00	533.25	+/-

 **NOTE: This monitor supports AMD FreeSync™.**



## Electrical specifications

Model	S2722QC
Video input signals	<ul style="list-style-type: none"> <li>• HDMI 2.0, 600 mV for each differential line, 100 <math>\Omega</math> input impedance per differential pair</li> <li>• USB Type-C (Alternate mode with DisplayPort 1.4), 90 <math>\Omega</math> input impedance per differential pair</li> </ul>
AC input voltage/frequency/current	100 VAC to 240 VAC / 50 Hz or 60 Hz $\pm$ 3 Hz / 2 A (typical)
Inrush current	<ul style="list-style-type: none"> <li>• 120 V: 40 A (Max.) at 0°C (cold start)</li> <li>• 240 V: 80 A (Max.) at 0°C (cold start)</li> </ul>
Power consumption	<ul style="list-style-type: none"> <li>• 0.2 W (Off mode)<sup>1</sup></li> <li>• 0.3 W (Standby Mode)<sup>1</sup></li> <li>• 24.8 W (On mode)<sup>1</sup></li> <li>• 155 W (Max.)<sup>2</sup></li> <li>• 26.5 W (Pon)<sup>3</sup></li> <li>• 94.35 kWh (TEC)<sup>3</sup></li> </ul>

<sup>1</sup> As defined in EU 2019/2021 and EU 2019/2013.

<sup>2</sup> Max. brightness and contrast setting with maximum power loading on all USB ports.

<sup>3</sup> Pon: Power consumption of On Mode measured with reference to Energy Star test method.

TEC: Total energy consumption in kWh measured with reference to Energy Star test method.

This document is informational only and reflects laboratory performance. Your product may perform differently, depending on the software, components and peripherals you ordered and shall have no obligation to update such information.

Accordingly, the customer should not rely upon this information in making decisions about electrical tolerances or otherwise. No warranty as to accuracy or completeness is expressed or implied.



## Physical characteristics

<b>Model</b>	<b>S2722QC</b>
<b>Signal cable type</b>	<ul style="list-style-type: none"> <li>• Digital: HDMI, 19 pins (cable not included)</li> <li>• Digital: Universal Series Bus: Type-C, 24 pins</li> </ul>
<p><b>NOTE:</b> Dell monitors are designed to work optimally with the video cables that are shipped with your monitor. As Dell does not have control over the different cable suppliers in the market, the type of material, connector and process used to manufacture these cables, Dell does not guarantee video performance on cables that are not shipped with your Dell monitor.</p>	
<b>Dimensions (with stand)</b>	
Height (extended)	510.05 mm (20.08 in.)
Height (compressed)	400.05 mm (15.75 in.)
Width	611.60 mm (24.08 in.)
Depth	174.72 mm (6.88 in.)
<b>Dimensions (without stand)</b>	
Height	364.64 mm (14.35 in.)
Width	611.60 mm (24.08 in.)
Depth	55.43 mm (2.18 in.)
<b>Stand dimensions</b>	
Height (extended)	403.10 mm (15.87 in.)
Height (compressed)	364.81 mm (14.36 in.)
Width	256.99 mm (10.12 in.)
Depth	174.72 mm (6.88 in.)
<b>Weight</b>	
Weight with packaging	9.79 kg (21.58 lb)
Weight with stand assembly and cables	7.10 kg (15.65 lb)
Weight without stand assembly (For wall mount or VESA mount considerations - no cables)	5.37 kg (11.84 lb)



Weight of stand assembly	1.50 kg (3.31 lb)
--------------------------	-------------------

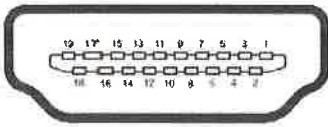
## Environmental characteristics

<b>Model</b>	<b>S2722QC</b>
<b>Compliant standards</b>	
<ul style="list-style-type: none"> <li>• RoHS-compliant</li> <li>• BFR/PVC reduce monitor (Its circuit boards are made from BFR/PVC-free laminates.)</li> <li>• Arsenic-free glass and Mercury-free for the panel only</li> </ul>	
<b>Temperature</b>	
Operating	0°C to 40°C (32°F to 104°F)
Non-operating	<ul style="list-style-type: none"> <li>• Storage: -20°C to 60°C (-4°F to 140°F)</li> <li>• Shipping: -20°C to 60°C (-4°F to 140°F)</li> </ul>
<b>Humidity</b>	
Operating	10% to 80% (non-condensing)
Non-operating	<ul style="list-style-type: none"> <li>• Storage: 5% to 90% (non-condensing)</li> <li>• Shipping: 5% to 90% (non-condensing)</li> </ul>
<b>Altitude</b>	
Operating	5,000 m (16,404 ft) (maximum)
Non-operating	12,192 m (40,000 ft) (maximum)
<b>Thermal dissipation</b>	<ul style="list-style-type: none"> <li>• 528.88 BTU/hour (maximum)</li> <li>• 84.76 BTU/hour (typical)</li> </ul>



## Pin assignments

### HDMI connector



Pin number	19-pin side of the connected signal cable
<b>1</b>	TMDS DATA 2+
<b>2</b>	TMDS DATA 2 SHIELD
<b>3</b>	TMDS DATA 2-
<b>4</b>	TMDS DATA 1+
<b>5</b>	TMDS DATA 1 SHIELD
<b>6</b>	TMDS DATA 1-
<b>7</b>	TMDS DATA 0+
<b>8</b>	TMDS DATA 0 SHIELD
<b>9</b>	TMDS DATA 0-
<b>10</b>	TMDS CLOCK+
<b>11</b>	TMDS CLOCK SHIELD
<b>12</b>	TMDS CLOCK-
<b>13</b>	CEC
<b>14</b>	Reserved (N.C. on device)
<b>15</b>	DDC CLOCK (SCL)
<b>16</b>	DDC DATA (SDA)
<b>17</b>	DDC/CEC Ground
<b>18</b>	+5 V POWER
<b>19</b>	HOT PLUG DETECT



## Plug and play capability

You can install the monitor in any Plug and Play-compatible system. The monitor automatically provides the computer system with its Extended Display Identification Data (EDID) using Display Data Channel (DDC) protocols so that the system can configure itself and optimize the monitor settings. Most monitor installations are automatic; you can select different settings if desired. For more information about changing the monitor settings, see [Operating the monitor](#).

## Universal Serial Bus (USB) interface


This section gives you information about the USB ports that are available on the monitor.

### SuperSpeed USB 5 Gbps (USB3.2 Gen 1)

Transfer speed	Data rate	Maximum power supported (each port)*
SuperSpeed	5 Gbps	4.50 W
High speed	480 Mbps	4.50 W
Full speed	12 Mbps	4.50 W

### USB Type-C

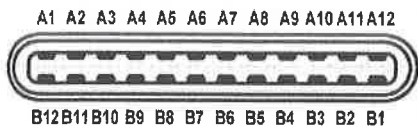
USB Type-C	Description
Video	DisplayPort 1.4**
Data	SuperSpeed USB 5 Gbps (USB 3.2 Gen 1)
Power Delivery (PD)	Up to 65 W

\*Up to 2 A on USB downstream port (with  battery icon) with BC1.2 compliance devices or normal USB devices.

\*\*HBR3/DisplayPort 1.4/DP audio is supported.

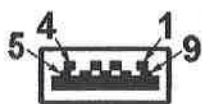


## USB Type-C connector



Pin Number	Signal Name	Pin Number	Signal Name
A1	GND	B1	GND
A2	TX1+	B2	TX2+
A3	TX1-	B3	TX2-
A4	VBUS	B4	VBUS
A5	CC1	B5	CC2
A6	D+	B6	D+
A7	D-	B7	D-
A8	SBU1	B8	SBU2
A9	VBUS	B9	VBUS
A10	RX2-	B10	RX1-
A11	RX2+	B11	RX1+
A12	GND	B12	GND

## USB 3.2 Gen 1 (5 Gbps) downstream connector




Pin number	9-pin side of the connector
1	VCC
2	D-
3	D+
4	GND
5	SSRX-




6	SSRX+
7	GND
8	SSTX-
9	SSTX+

## USB ports

- 1 USB Type-C (USB 3.2 Gen 1, 5 Gbps) upstream - rear
- 1 SuperSpeed USB Type-A (USB 3.2 Gen 1, 5 Gbps) downstream - rear
- 1 SuperSpeed USB Type-A (USB 3.2 Gen 1, 5 Gbps) downstream - bottom  
Power Charging Port - the port with  battery icon; supports up to 2 A fast-charging capability if the device is BC1.2 compatible.

 **NOTE: SuperSpeed USB 5 Gbps (USB 3.2 Gen 1) functionality requires a SuperSpeed USB 5 Gbps (USB 3.2 Gen 1)-capable computer.**

 **NOTE: The USB ports on the monitor work only when the monitor is turned On or in Standby mode. If you turn Off the monitor and then turn it On, the attached peripherals may take a few seconds to resume normal functionality.**

## LCD monitor quality and pixel policy

During the LCD Monitor manufacturing process, it is not uncommon for one or more pixels to become fixed in an unchanging state which are hard to see and do not affect the display quality or usability. For more information on Dell Monitor Quality and Pixel Policy, see [www.dell.com/pixelguidelines](http://www.dell.com/pixelguidelines).





## Specifications of Inspiron 27-7700

### Stand

Table 2. Stand

Description	Bipod stand	Arch stand	A-Frame stand
Height	132.20 mm (5.20 in.)	127.71 mm (5.02 in.)	135 mm (5.31 in.)
Width	477 mm (18.77 in.)	462 mm (18.18 in.)	531.8 mm (20.93 in.)
Depth	193.4 mm (7.61 in.)	182 mm (7.16 in.)	202.3 mm (7.96 in.)
Weight	0.38 kg (0.84 lb)	0.59 kg (1.30 lb)	0.62 kg (1.36 lb)

### Bipod stand

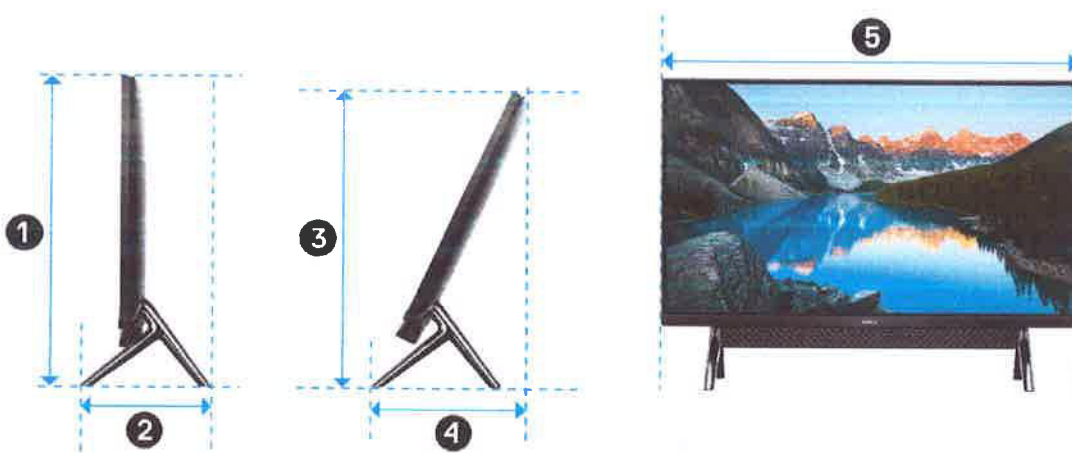


Table 3. Bipod stand dimensions

Description	Dimensions
1	453.20 mm (17.84 in.)
2	193.40 mm (7.61 in.)
3	432.35 mm (17.02 in.)
4	232.64 mm (9.15 in.)
5	611.70 mm (24.08 in.)

## Arch stand

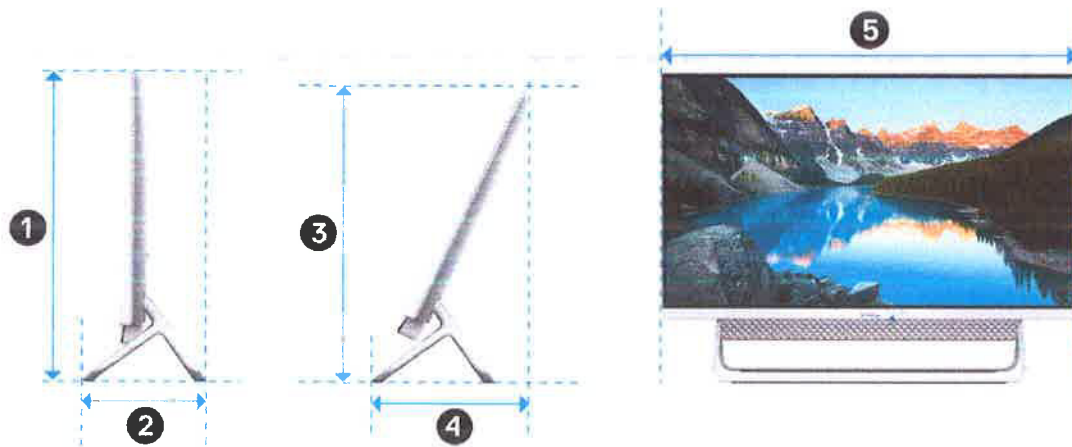


Table 4. Arch stand

Description	Dimensions
1	453.20 mm (17.84 in.)
2	182 mm (7.16 in.)
3	432.35 mm (17.02 in.)
4	233.40 mm (9.18 in.)
5	611.70 mm (24.08 in.)

## A-Frame stand

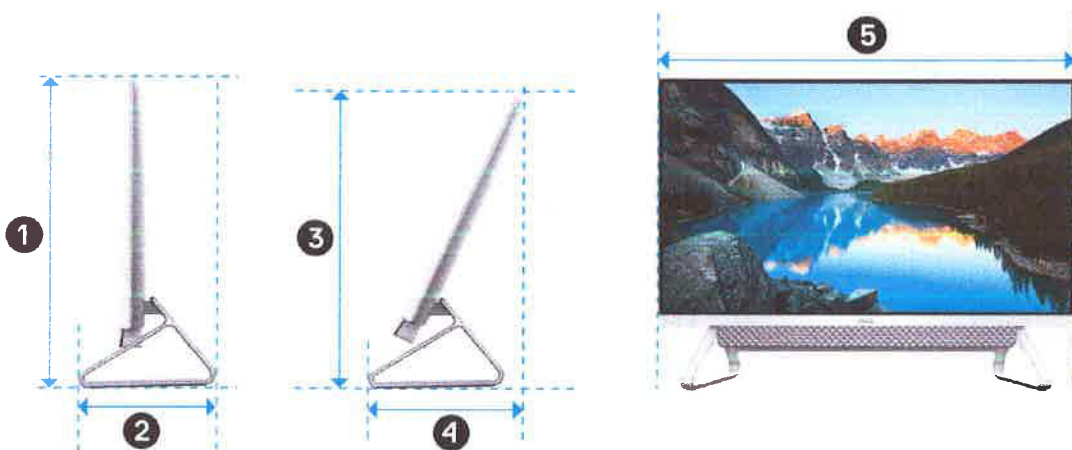


Table 5. A-Frame stand dimensions

Description	Dimensions
1	453.20 mm (17.84 in.)

Table 5. A-Frame stand dimensions

Description	Dimensions
②	202.3 mm (7.96 in.)
③	432.35 mm (17.02 in.)
④	234.95 mm (9.25 in.)
⑤	611.70 mm (24.08 in.)

## Dimensions and weight

Table 6. Computer dimensions and weight

Description	Values	
Height	395.40 mm (15.56 in.) <b>NOTE:</b> The height of your computer varies depending on the stand installed.	
Width	611.70 mm (24.08 in.) with Bipod stand, A-Frame stand and Arch stand <b>NOTE:</b> The width of your computer varies depending on the stand installed.	
Depth	42 mm (1.65 in.)	
Weight:		
	Touchscreen	7.16 kg (15.78 lb)
	Non-touchscreen	6.73 kg (14.83 lb)
		<b>NOTE:</b> The weight of your computer varies depending on the configuration ordered and the manufacturing variability.

## Processor

The following table lists the details of the processors supported by your Inspiron 27-7700.

Table 7. Processor

Description	Option one	Option two	Option three
Processor type	11 <sup>th</sup> Generation Intel Core i3 (1115G4)	11 <sup>th</sup> Generation Intel Core i5 (1135G7)	11 <sup>th</sup> Generation Intel Core i7 (1165G7)
Processor wattage	28 W	28 W	28 W
Processor core count	2	4	4
Processor thread count	4	8	8
Processor speed	Up to 4.1 GHz	Up to 4.2 GHz	Up to 4.7 GHz

**Table 7. Processor**

Description	Option one	Option two	Option three
Processor cache	6 MB	8 MB	12 MB
Integrated graphics	Intel UHD Graphics	Intel Iris Xe Graphics	Intel Iris Xe Graphics

## Chipset

The following table lists the details of the chipset supported by your Inspiron 27-7700.

**Table 8. Chipset**

Description	Values
Chipset	Integrated in the processor
Processor	11 <sup>th</sup> Generation Intel Core i3/i5/i7
DRAM bus width	64 bit
Flash EPROM	16 MB
PCIe bus	PCIe 3.0

## Operating system

Your Inspiron 27-7700 supports the following operating systems:

- Windows 10 Home (64-bit)
- Windows 10 Professional (64-bit)

## Memory

The following table lists the memory specifications of your Inspiron 27-7700.

**Table 9. Memory specifications (continued)**

Description	Values
Memory slots	Two SODIMM slots
Memory type	Dual-channel DDR4
Memory speed	2666 MHz
Maximum memory configuration	32 GB
Minimum memory configuration	4 GB
Memory size per slot	4 GB, 8 GB, 12 GB, and 16 GB
Memory configurations supported	<ul style="list-style-type: none"><li>• 4 GB, 1 x 4 GB, DDR4, 2666 MHz</li><li>• 8 GB, 1 x 8 GB, DDR4, 2666 MHz</li><li>• 8 GB, 2 x 4 GB, DDR4, 2666 MHz</li><li>• 12 GB, 1 x 8 GB + 1 x 4 GB, DDR4, 2666 MHz</li></ul>

**Table 9. Memory specifications**

Description	Values
	<ul style="list-style-type: none"> <li>• 16 GB, 1 x 16 GB, DDR4, 2666 MHz</li> <li>• 16 GB, 2 x 8 GB, DDR4, 2666 MHz</li> <li>• 32 GB, 1 x 32 GB, DDR4, 2666 MHz</li> <li>• 32 GB, 2 x 16 GB, DDR4, 2666 MHz</li> </ul>

## Ports and connectors

The following table lists the external and internal ports available on your Inspiron 27-7700.

**Table 10. Ports and connectors**

Description	Values
<b>External:</b>	
Network	One RJ-45 port
USB	<ul style="list-style-type: none"> <li>• Two USB 2.0 port with Power on/Wake-up support</li> <li>• One USB 3.1 Gen 1 port</li> <li>• One USB 3.1 port with Power on/Wake-up support</li> <li>• One USB 3.1 Gen 1 port with PowerShare</li> <li>• One USB 3.1 Gen 2 (Type-C) port</li> </ul>
Audio	Audio-out port
Video	<ul style="list-style-type: none"> <li>• One HDMI 1.4b port</li> <li>• One HDMI-in port</li> </ul>
Media-card reader	One SD-card slot
Power port	One 4.5 mm x 2.9 mm DC-in adapter port
Security	Kensington slot
<b>Internal:</b>	
PCIe expansion card slots	Not supported
M.2	<ul style="list-style-type: none"> <li>• One M.2 slot for Wi-Fi and Bluetooth combo card</li> <li>• One PCIe M.2 2230 slot for solid-state drive</li> </ul> <p> <b>NOTE:</b> To learn more about the features of different types of M.2 cards, see the knowledge base article <a href="#">SLN301626</a>.</p>

## Ethernet

The following table lists the wired Ethernet Local Area Network (LAN) specifications of your Inspiron 27-7700.

**Table 11. Ethernet specifications**

Description	Values
Model number	Realtek RTL8111HSD-CG PCIe Gigabit Ethernet controller (integrated on system board)

**Table 11. Ethernet specifications**

Description	Values
Transfer rate	10/100/1000 Mbps

## Wireless module

The following table lists the Wireless Local Area Network (WLAN) modules supported on your Inspiron 27-7700.

**Table 12. Wireless module specifications**

Description	Option one	Option two
Model number	Intel 9462	Intel AX201
Transfer rate	Up to 433 Mbps	Up to 2400 Mbps
Frequency bands supported	Dual band 2.4 GHz/5 GHz	Dual band 2.4 GHz/5 GHz
Wireless standards	<ul style="list-style-type: none"> <li>• Wi-Fi 802.11a/b/g</li> <li>• Wi-Fi 4 (WiFi 802.11n)</li> <li>• Wi-Fi 5 (WiFi 802.11ac)</li> </ul>	<ul style="list-style-type: none"> <li>• WiFi 802.11a/b/g</li> <li>• Wi-Fi 4 (WiFi 802.11n)</li> <li>• Wi-Fi 6 (WiFi 802.11ax)</li> </ul>
Encryption	<ul style="list-style-type: none"> <li>• 64-bit/128-bit WEP</li> <li>• AES-CCMP</li> <li>• TKIP</li> </ul>	<ul style="list-style-type: none"> <li>• 64-bit/128-bit WEP</li> <li>• AES-CCMP</li> <li>• TKIP</li> </ul>
Bluetooth	Bluetooth 5.0	Bluetooth 5.1

## Audio

The following table lists the audio specifications of your Inspiron 27-7700.

**Table 13. Audio specifications**

Description	Values
Audio controller	Realtek ALC3289-CG
Stereo conversion	Supported
Internal audio interface	High definition audio interface
External audio interface	Universal Audio Jack/HDMI 1.4 port
Number of speakers	2
Internal-speaker amplifier	Supported
External volume controls	Not supported
Speaker output:	
Average speaker output	5 W
Peak speaker output	6 W
Subwoofer output	Not supported

**Table 13. Audio specifications**

Description	Values
Microphone	Digital-array microphones

## Storage

This section lists the storage options on your Inspiron 27-7700.

Your computer supports one of the following configurations:

- One 2.5-inch hard-disk drive
- One M.2 2230 solid-state drive
- One 2.5-inch hard drive and one M.2 2230 solid-state drive

**Table 14. Storage specifications**

Storage type	Interface type	Capacity
One 2.5-inch hard-disk drive	SATA AHCI 6 Gbps	Up to 2 TB
One M.2 2230 solid-state drive	PCIe Gen3.0x4 NVMe, up to 32 Gbps	Up to 1 TB

## Media-card reader

The following table lists the media cards supported by your Inspiron 27-7700.

**Table 15. Media-card reader specifications**

Description	Values
Media-card type	One SD-card slot
Media-cards supported	<ul style="list-style-type: none"><li>• SD card</li><li>• SD High Capacity (SDHC) card</li><li>• SD Extended Capacity (SDXC) card</li><li>• micro Secure Digital (mSD)</li><li>• micro Secure Digital High Capacity (mSDHC)</li><li>• micro Secure Digital Extended Capacity (mSDXC)</li></ul>
<b>NOTE:</b> The maximum capacity supported by the media-card reader varies depending on the standard of the media card installed in your computer.	

## Camera

The following table lists the camera specifications of your Inspiron 27-7700.

**Table 16. Camera specifications**

Description	Values
Number of cameras	One
Camera type	<ul style="list-style-type: none"><li>• FHD RGB camera</li><li>• FHD RGB + infrared camera ✓</li></ul>
Camera location	Front camera

**Table 16. Camera specifications**

Description		Values
Camera sensor type		CMOS sensor technology
Camera resolution:		
Still image		<ul style="list-style-type: none"> <li>• 2.07 megapixels (FHD camera) ✓</li> <li>• 0.30 megapixels (HD camera)</li> </ul>
Video		<ul style="list-style-type: none"> <li>• 1920 x 1080 (FHD) at 30 fps (FHD camera) ✓</li> <li>• 640 x 480 at 30 fps (HD camera)</li> </ul>
Infrared camera resolution:		
Still image		0.3 megapixel
Video		640 x 480 (VGA) at 30 fps
Diagonal viewing angle:		
Camera		<ul style="list-style-type: none"> <li>• 77.4 degrees (FHD RGB camera)</li> <li>• 77.5 degrees (FHD RGB + infrared camera) ✓</li> </ul>
Infrared camera		<ul style="list-style-type: none"> <li>• 77.4 degrees (FHD RGB camera)</li> <li>• 82.9 degrees (FHD RGB + infrared camera) ✓</li> </ul>

## Display

The following table lists the display specifications of your Inspiron 27-7700.

**Table 17. Display specifications**

Description		Values
Display type		Full High Definition (FHD)
Display-panel technology		Wide Viewing Angle (WVA)
Display-panel dimensions (active area):		
	Height	336.31 mm (13.24 in.)
	Width	597.89 mm (23.53 in.)
	Diagonal	686 mm (27 in.)
Display-panel native resolution		1920 x 1080
Luminance (typical)		250 nits
Megapixels		2.07
Color gamut		72% (NTSC)
Pixels Per Inch (PPI)		81
Contrast ratio (min)		600:1
Response time (max)		25 msec rise/fall

**Table 17. Display specifications**

Description	Values
Refresh rate	60 Hz
Horizontal view angle	+/- 85 degrees
Vertical view angle	+/- 85 degrees
Pixel pitch	0.3114 x 0.3114 mm
Power consumption (maximum)	18.80 W
Anti-glare vs glossy finish	Anti-glare (non-Touch) / Truelife (Touch)
Touch options	Yes

## Power adapter

The following table lists the power adapter specifications of your Inspiron 27-7700.

**Table 18. Power adapter specifications**

Description	Option one	Option two
Type	90 W	130 W
Connector dimensions:		
External diameter	4.5 mm	4.5 mm
Internal diameter	2.9 mm	2.9 mm
Input voltage	100 VAC-240 VAC	100 VAC-240 VAC
Input frequency	50 Hz-60 Hz	50 Hz-60 Hz
Input current (maximum)	1.50 A	2.50 A
Output current (continuous)	4.62 A	6.70 A
Rated output voltage	19.50 VDC	19.50 VDC
Temperature range:		
Operating	0°C to 40°C (32°F to 104°F)	0°C to 40°C (32°F to 104°F)
Storage	-40°C to 70°C (-40°F to 158°F)	-40°C to 70°C (-40°F to 158°F)

## GPU—Integrated

The following table lists the specifications of the integrated Graphics Processing Unit (GPU) supported by your Inspiron 27-7700.

**Table 19. GPU—Integrated**

Controller	Memory size	Processor
Intel Iris Xe Graphics	Shared system memory	11 <sup>th</sup> Generation Intel Core i5/i7

**Table 19. GPU—Integrated**

Controller	Memory size	Processor
Intel UHD Graphics	Shared system memory	11 <sup>th</sup> Generation Intel Core i3

## GPU—Discrete

The following table lists the specifications of the discrete Graphics Processing Unit (GPU) supported by your Inspiron 27-7700.

**Table 20. GPU—Discrete**

Controller	External display support	Memory size	Memory type
NVIDIA GeForce MX 330	Not applicable	2 GB	GDDR5

## Operating and storage environment

This table lists the operating and storage specifications of your Inspiron 27-7700.

**Airborne contaminant level:** G1 as defined by ISA-S71.04-1985

**Table 21. Computer environment**

Description	Operating	Storage
Temperature range	5°C to 35°C (32°F to 95°F)	-40°C to 65°C (-40°F to 149°F)
Relative humidity (maximum)	20% to 80% (non-condensing)	5% to 95% (non-condensing)
Vibration (maximum)*	0.26 GRMS	1.37 GRMS
Shock (maximum)	40 G†	105 G‡
Altitude range	3048	10668

\* Measured using a random vibration spectrum that simulates user environment.

† Measured using a 2 ms half-sine pulse when the hard drive is in use.



KONICA MINOLTA

Giving Shape to Ideas

# MULTIFOLD FUNCTIONALITY WITH VIBRANT COLOUR



✓ bhC368 Colour B&W <b>36/36</b> ppm	✗ bhC308 Colour B&W <b>30/30</b> ppm	✗ bhC258 Colour B&W <b>25/25</b> ppm
SRA3	PRINT	COPY
Dual Scan ADF <b>160</b> opm Duplex	Dual Scan ADF <b>80</b> opm Simplex	SCAN TO USB
USB Print	Colour Internet Fax	Fax
MOBILE SUPPORT	<b>1200</b> DPI RESOLUTION	IPCT OPERATION PANEL
AirPrint	Google Cloud Print Ready	PRINT WITH ANDROID
mopria	INFO-Palette	
Biometric Authentication	IC-Card Authentication	Emperor Driver!
Bioplastic	Recycled PC/PET	Paperless Ready

**Simitri**  
with Biomass

**bizhub C368/C308/C258**



## The simplicity and usability to fit in any working environment

### The product design

The bizhub C368 series adopts easy and intuitive INFO-Palette design with smart user interface. You get the same user experience through seamless operation across the PCs, tablets or smartphones.



### The 9 inch operation panel

The 9 inch operation panel provides user friendly interface. There are 4 hard menu keys at the bottom of the panel, combining it with on-screen soft menu keys allows user to register for functions such as copy, scan/fax, preview or soft numeric keypad.

The screen display function can be enlarged and screen display colour can be reversed for ease of use.



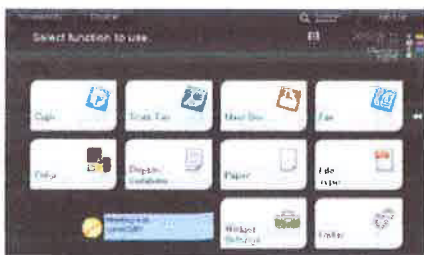
Hard registration keys  
Register up to 4 commonly used function.

Soft menu keys  
Register up to 5 commonly used function.

Soft menu keys will appear by tapping on the screen tab.

### Widgets function

The new bizhub C368 series comes with embedded widget application where users can install and execute within the MFP operation panel. Text boxes, icons or GIF animations can be configured and used for internal communication, messages and rules.



## Print from anywhere, anytime with the most advanced wireless, mobile and cloud technology

### To connect with Android devices

The operation panel is equipped with newly embedded Mobile Touch Area to support NFC (Near Field Communication) connection for Android<sup>1</sup> devices. Pairing can be performed, through PageScope Mobile (PSM), by touching the area with Android device. First select the files on PSM and then touch the device to the operation panel to perform print<sup>2</sup> or scan<sup>3</sup>.

<sup>1</sup> NFC connection requires Android OS 4.4 or higher to be installed.  
<sup>2</sup> Wireless LAN environment is required to perform touch to print and scan.



### To connect with iOS devices

For the iOS devices, you can search and register nearby bizhub into the PageScope Mobile (PSM)<sup>2</sup> via Bluetooth LE (BLE)<sup>1</sup> technology. iOS devices can also be used to log-into bizhub via BLE connection. Selected files on PSM can be printed<sup>3</sup> directly or scan<sup>5</sup> files to iOS devices.

<sup>1</sup> PageScope Mobile for iPhone/iPad version 5.0 or higher is required.  
<sup>2</sup> Optional Device Connection/F Kit EK-609 is required.  
<sup>3</sup> Wireless LAN requirement is required to perform print & scan.

### Wireless LAN (AP mode) support

Make your bizhub wireless LAN Access Point<sup>6</sup> to wirelessly connect mobile devices. Devices thus will not only able to connect directly with bizhub but are also securely separated from existing LANs.

PageScope Mobile<sup>3</sup> will enable more convenience as wireless set up can be completed between a mobile device and bizhub by reading the QR code that is displayed on the machine panel.

<sup>6</sup> Optional Upgrade Kit UK-212 is required.

QR code display screen



Wireless LAN (AP mode) connection image



<sup>6</sup> In AP mode (base unit), simultaneous connections can be made with up to 5 devices.

## To connect instantly without print drivers to the industry standard mobile technologies

### AirPrint

Apple's standard printing system is compatible with iOS 4.2 and Mac OS 10.7 or later. A compatible printer on your wireless LAN can be used.



### Mopria Print Service

Wireless printing technology established by Mopria Alliance. It allows you to print from devices installed with Android 4.4 or later.



### Google Cloud Print

A cloud print service provided by Google. You can print from any location via the internet regardless of OS or device type.

<sup>1</sup> Google Cloud Print Setup and Google account registration are required.  
<sup>2</sup> Optional Upgrade Kit UK-211 is required.



### Konica Minolta Print Service

Print directly to bizhub via a wireless LAN from all apps that supports Android's print function.



### PageScope Mobile

Konica Minolta's proprietary mobile print application allows usage of wide range of bizhub functions such as duplex print, security print, staple and punch.



### Standard web browser

The multi-touch UI in the operational panel can be used to display and print webpage contents. Printing of portions of PDF files or maps directly from the websites are more convenient now.

## Flexible and advanced security features to protect valuable information

### Authentication on the MFP main unit

User can perform authentication directly on the main unit. Access control can be set up for functions like print, scan and fax<sup>1</sup>.

<sup>1</sup> Optional Fax Kit FK-513 is required.

### IC card authentication

Users can authenticate<sup>2</sup> with various types of IC card<sup>3</sup>. The authentication method complies with SSFC (Shared Security Formats Cooperation). Besides the IC Card, users can authenticate with Android devices<sup>1</sup> with equipped NFC antenna.

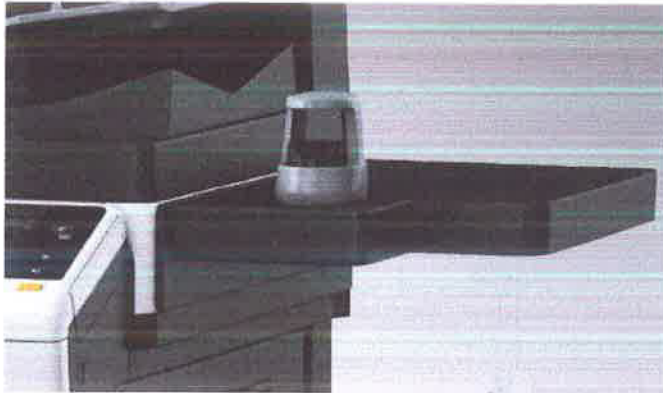


<sup>2</sup> Compliant non-contact IC cards include FeliCa (Idm), SSFC, FCF, FCF (campus), FeliCa Private, and MIFARE (UID)  
<sup>3</sup> Requires Android 4.4 or later that supports HCE (Host Card Emulation) or PageScope Mobile for Android v4.1 or later

## Biometric authentication

Scans the veins on the finger as the biometric data which offers very high-level security and is easy to implement\*.

\* 4 Optional Biometric Authentication Unit AU-102 and Working Table WT-506 are required.



## HDD mirroring

Supports "Mirroring" which synchronizes the main HDD data and backup HDD data in real time. In the event of main HDD failure, operation automatically switches to the backup HDD which will drastically reduce the risk of data loss.

\* Optional HDD Mirroring Kit HD-524 is required.

## Server-less pull printing

With server-less pull printing, print jobs sent by user can be printed from any MFP in the same network.

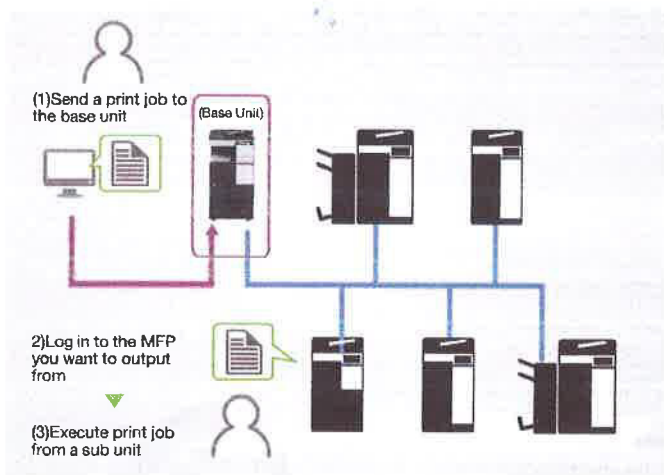
\* A pull printing system consisting of a maximum of 10 MFPs can be created. It is necessary that all corresponding MFPs be in the same network.

\* Optional I-Option LK-114 and Upgrade Kit UK-211 are required to be installed to each of the MFP.

## TPM (Trusted Platform Module)

TPM (Trusted Platform Module) is a security chip which encrypts and decrypts confidential data. The information is encrypted and stored in dedicated storage area in the chip to avoid unauthorized reading.

\* Optional I-Option LK-115 v2 is required.



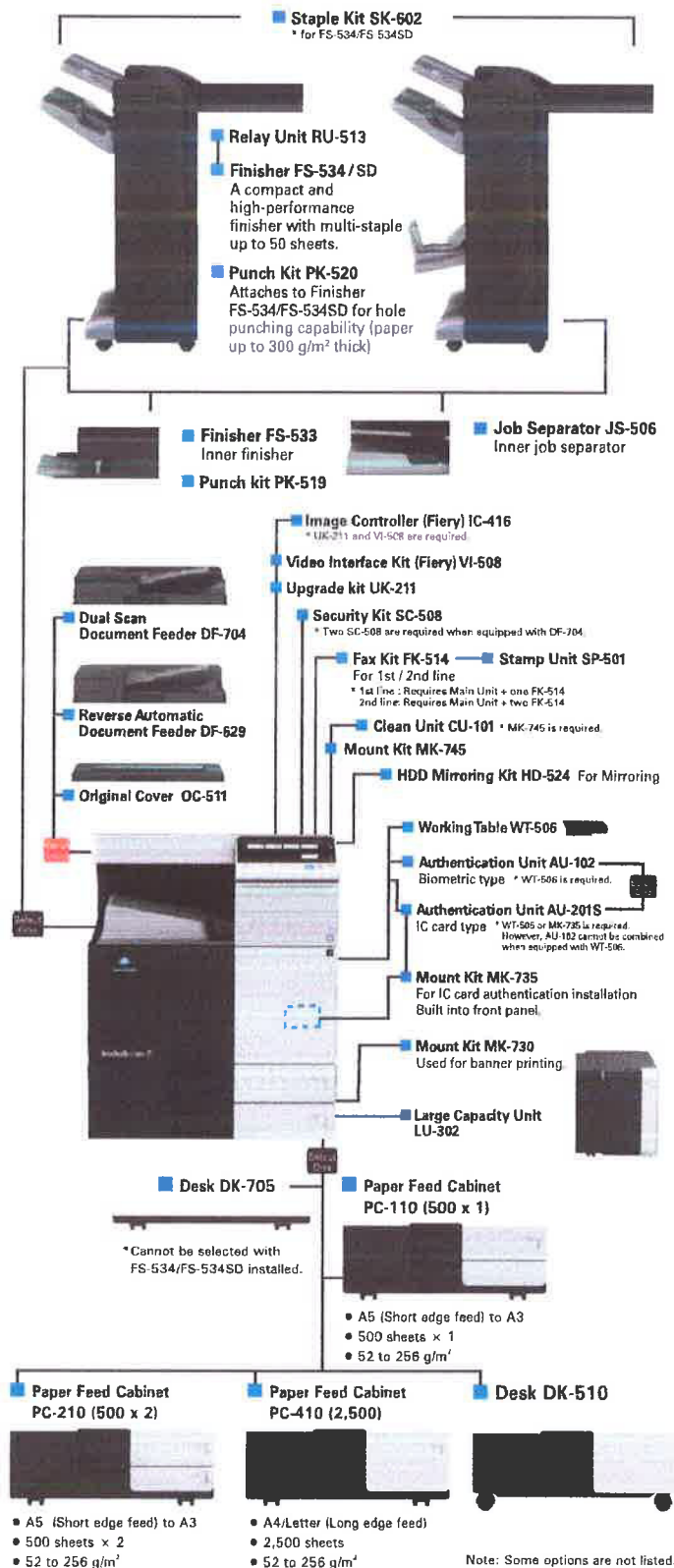
## Environmental contribution is always the top priority

### Top class power consumption and TEC value in its class

The MFP's CPU power is set to turn off during sleep mode. This results in a best-in-class 0.5 W power consumption ratio (during sleep mode). The TEC value has also been reduced approximately by 5-18%. CO<sub>2</sub> emission from the MFP is drastically reduced.

## SYSTEM

- Upgrade kit UK-211  
2 GB memory
- Upgrade kit UK-212  
Wireless LAN kit  
\* EK-608 or EK-609 is required.
- Keypad KP-101
- Device Connection I/F Kit EK-608  
USB hub kit / Voice guidance
- Device Connection I/F Kit EK-609  
Bluetooth LE / Voice guidance
- bizhub Connector S-1/G-1/E-1



One of the options may be selected (not mandatory)



One of the options must be selected (mandatory)

Specifications

bizhub C368/C308/C258 Printer Specifications

Type	Embedded				
CPU	ARM Cortex-A7 Dual-core 1.2GHz				
Memory	2 GB RAM				
Print Speed	35 ppm				
Print Resolution	250 dpi (based on the raster)				
Print Resolution	1,600 dpi (actual size) x 600 dpi (for smoothing or 1,200 dpi x 1,200 dpi @ 1,200 dpi mode)				
FDL	PCL 6, PostScript 3 Emulation, JPS				
Protocol	TCMP, IP/PSK, SIPS support, SMB (NetBEUI), LFD, JFP1, L, SNMP, AppleTalk				
Support OS	Windows Vista / 7 / 8 / 10 <sup>1)</sup> Windows Server 2008 / 2008 R2 / 2012 / 2012 R2 Mac OS X (10.6 / 10.7 / 10.8 / 10.9 / 10.10 / 10.11) Linux				
Ports	<table border="1"> <tr> <td>PCL</td> <td>BD Ethernet ports</td> </tr> <tr> <td>PS</td> <td>157 Ethernet ports, 1 ports</td> </tr> </table>	PCL	BD Ethernet ports	PS	157 Ethernet ports, 1 ports
PCL	BD Ethernet ports				
PS	157 Ethernet ports, 1 ports				
Interface	Ethernet (10BASE-T/100BASE-TX/1000BASE-T), USB 1.1, USB 2.0, IEEE 802.11 a/b/g/n <sup>2)</sup>				

<sup>1)</sup> Supports the 32-bit (x86) or 64-bit (x64) environment  
<sup>2)</sup> Optional

Scanner Specifications

Type	Full-Colour Scanner				
Interface	Ethernet (10BASE-T/100BASE-TX/1000BASE-T), IEEE 802.11 a/b/g/n <sup>1)</sup>				
Driver	TWAIN Driver, IJSD (WebDAV)				
Protocol	TCMP, FTP, SMB, SMTP, WebDAV, (Email/VNA)				
Scanning Speed (Colour/Black) (A3 size, A4 Simplex)	53 ppm <sup>1)</sup>				
Scanning Size	Max. A3 (11" x 17")				
Output Format	TIF, JPEG, PDF, Composed PDF, XPS, Compact XPS, COMMA (jobs), PDF, (Job), ScanSnap PDF, PDF/A, Uncompressed PDF				
Scanning Resolution	<table border="1"> <tr> <td>High</td> <td>200 dpi / 300 dpi / 400 dpi / 600 dpi</td> </tr> <tr> <td>Full</td> <td>100 dpi / 200 dpi / 300 dpi / 400 dpi / 600 dpi</td> </tr> </table>	High	200 dpi / 300 dpi / 400 dpi / 600 dpi	Full	100 dpi / 200 dpi / 300 dpi / 400 dpi / 600 dpi
High	200 dpi / 300 dpi / 400 dpi / 600 dpi				
Full	100 dpi / 200 dpi / 300 dpi / 400 dpi / 600 dpi				
Main Functions	Scan to E-Mail, Scan to FTP, Scan to Box (iCloud), Scan to PC, SMB, Network, TWAIN, Scan to WebDAV, Scan to USB, Scan to Scan Server, Scan to Web Service (Web Scan), Drive Profile for Web Services (DPSWS)				
Other Functions	Multi-Method Send, Authentication at the time of E-Mail send (SMTP authentication), PDF before SMTP, SMMSE, Annotation				

<sup>1)</sup> Optional  
<sup>2)</sup> When using the Reverse Automatic Document Feeder DF-629

Copier / General Specifications

Type	Desktop Full-Colour AS Multifunctional Printer												
Colour Support	Full colour												
Colour Resolution	Max. 600 dpi x Sub. 600 dpi												
Gradation	256												
Monthly Capacity (ISO A4)	2 GB4 GB												
HDU	250 GB												
Original Type	Sheets, Books, Clusters												
Max. Original Size	A3 (11" x 17")												
Output Size	Main unit: SRA3, A3 to A5 12-1/4" x 18" (A3 wide) (311.1 mm x 457.2 mm), 11" x 17" to 8-1/2" x 11", 5-1/2" x 8-1/2", 3" x 13", 16K, BK Bypass Tray: SRA3, A3 to A5, B6, A6, 12" x 18" (A3 wide) (311.1 mm x 457.2 mm), 11" x 17" to 5-1/2" x 8-1/2", 8" to 13", 16K, BK, Postcard (90/14 x 6" Card), Envelope, Label Sheet, Tab paper, Banner paper (width) 210 mm to 287 mm (5-1/4" to 11-11/16"), Length: 457 mm (18" to 42-1/4")												
Warm-Up Time (23°C, std. voltage)	Colour / B & W: 20 sec. or less												
The time required to start printing when both the main power and sub-power switches are turned from OFF to ON	Colour / B & W: 20 sec. or less												
The time required to start printing when both the main power and sub-power switches are turned from OFF to ON	Colour / B & W: 20 sec. or less / Colour / B & W: 18 sec. or less												
First Copy Out Time**	<table border="1"> <tr> <td>Colour</td> <td>6.9 sec. or less</td> <td>7.3 sec. or less</td> <td>7.5 sec. or less</td> </tr> <tr> <td>Black</td> <td>5.3 sec. or less</td> <td>5.6 sec. or less</td> <td>6.1 sec. or less</td> </tr> <tr> <td>Copy Speed (Colour/Black, A4)</td> <td>35 ppm</td> <td>30 ppm</td> <td>25 ppm</td> </tr> </table>	Colour	6.9 sec. or less	7.3 sec. or less	7.5 sec. or less	Black	5.3 sec. or less	5.6 sec. or less	6.1 sec. or less	Copy Speed (Colour/Black, A4)	35 ppm	30 ppm	25 ppm
Colour	6.9 sec. or less	7.3 sec. or less	7.5 sec. or less										
Black	5.3 sec. or less	5.6 sec. or less	6.1 sec. or less										
Copy Speed (Colour/Black, A4)	35 ppm	30 ppm	25 ppm										
Copy Magnification	<table border="1"> <tr> <td>Fixed Settings Magnification</td> <td>1: 1.0-5% or less</td> </tr> <tr> <td>Scaling Up</td> <td>1: 1.15/1.22/1.41/2.00</td> </tr> <tr> <td>Scaling Down</td> <td>1: 0.99/0.91/0.70/0.50</td> </tr> <tr> <td>Printed</td> <td>3 types</td> </tr> <tr> <td>Zoom</td> <td>25 to 400% (in 0.1% incremental)</td> </tr> <tr> <td>Lengthwise Crosswise Individual Settings</td> <td>25 to 400% (in 0.1% incremental)</td> </tr> </table>	Fixed Settings Magnification	1: 1.0-5% or less	Scaling Up	1: 1.15/1.22/1.41/2.00	Scaling Down	1: 0.99/0.91/0.70/0.50	Printed	3 types	Zoom	25 to 400% (in 0.1% incremental)	Lengthwise Crosswise Individual Settings	25 to 400% (in 0.1% incremental)
Fixed Settings Magnification	1: 1.0-5% or less												
Scaling Up	1: 1.15/1.22/1.41/2.00												
Scaling Down	1: 0.99/0.91/0.70/0.50												
Printed	3 types												
Zoom	25 to 400% (in 0.1% incremental)												
Lengthwise Crosswise Individual Settings	25 to 400% (in 0.1% incremental)												
Paper Capacity (80 g/m <sup>2</sup> )	<table border="1"> <tr> <td>Tray 1</td> <td>600 sheets (up to A3)</td> </tr> <tr> <td>Tray 2</td> <td>600 sheets (up to SRA3)</td> </tr> <tr> <td>Multiple Bypass Tray</td> <td>150 sheets (up to SRA3)</td> </tr> </table>	Tray 1	600 sheets (up to A3)	Tray 2	600 sheets (up to SRA3)	Multiple Bypass Tray	150 sheets (up to SRA3)						
Tray 1	600 sheets (up to A3)												
Tray 2	600 sheets (up to SRA3)												
Multiple Bypass Tray	150 sheets (up to SRA3)												
Max. Paper Capacity (80 g/m <sup>2</sup> )	6,600 sheets												
Paper Weight	<table border="1"> <tr> <td>Tray 1 / 2</td> <td>62 to 256 g/m<sup>2</sup></td> </tr> <tr> <td>Multiple Bypass Tray</td> <td>60 to 300 g/m<sup>2</sup></td> </tr> </table>	Tray 1 / 2	62 to 256 g/m <sup>2</sup>	Multiple Bypass Tray	60 to 300 g/m <sup>2</sup>								
Tray 1 / 2	62 to 256 g/m <sup>2</sup>												
Multiple Bypass Tray	60 to 300 g/m <sup>2</sup>												
Multiple Copy	1 to 999 sheets												
Auto Duplex	<table border="1"> <tr> <td>Paper Size</td> <td>SRA3, A3 to A5, B6, A6, 12-1/4" x 18" (A3 wide) (311.1 mm x 457.2 mm), 11" x 17" to 5-1/2" x 8-1/2", 7-1/4" x 10-1/2", 8" x 13", 16K, BK, Postcard (90/14 x 6" Card)</td> </tr> <tr> <td>Paper Weight</td> <td>62 to 256 g/m<sup>2</sup></td> </tr> </table>	Paper Size	SRA3, A3 to A5, B6, A6, 12-1/4" x 18" (A3 wide) (311.1 mm x 457.2 mm), 11" x 17" to 5-1/2" x 8-1/2", 7-1/4" x 10-1/2", 8" x 13", 16K, BK, Postcard (90/14 x 6" Card)	Paper Weight	62 to 256 g/m <sup>2</sup>								
Paper Size	SRA3, A3 to A5, B6, A6, 12-1/4" x 18" (A3 wide) (311.1 mm x 457.2 mm), 11" x 17" to 5-1/2" x 8-1/2", 7-1/4" x 10-1/2", 8" x 13", 16K, BK, Postcard (90/14 x 6" Card)												
Paper Weight	62 to 256 g/m <sup>2</sup>												

Power Requirements	AC220 to 240 V 50/60 Hz
Max. Power Consumption	1.5 kW or less
Dimensions (W) x (D) x (H)	315 x 685 x 773 mm (24.2" x 53.1" x 60.7")
Weight	Approx. 45 kg (99.2 lb)
Special Requirements (W) x (D) x (H)	35" x 1,214 mm (35-7/8" x 47-13/16")

<sup>1)</sup> SRA3 paper can be used in Tray 2.  
<sup>2)</sup> There are four types of fadings: 4-1/2" x 13-1/2", 8-1/2" x 13", 8-1/4" x 13", and 8" x 13". Any one of these sizes is selectable. For details, contact your service representative.  
<sup>3)</sup> Shown edge feed.  
<sup>4)</sup> There are six types of fadings: 9-1/2" x 13-1/2", 220 mm x 330 mm, 5-1/2" x 13", 8-1/4" x 13", 8-1/8" x 13-1/4", and 8" x 13". Any one of these sizes is selectable. For details, contact your service representative.  
<sup>5)</sup> Whirls or printing errors may occur due to the time, storage or environment that exists when envelope printing is carried out.  
<sup>6)</sup> Printing on banner paper can only be performed from a PC.  
<sup>7)</sup> May vary depending on the operating environment and usage.  
<sup>8)</sup> All long edge feed for size using the first feed/sending from the original glass surface.  
<sup>9)</sup> With colours installed.  
<sup>10)</sup> Without options, with paper trays pulled out, and multiple bypass tray, auxiliary tray and ACF opened

Internet Fax

Protocol	TCP/IP, POP3, TCMP (variable mode)				
Transmission Mode	Full Mode				
Scanning Paper Size	A3, B4, A4				
Recording Paper Size	Max. A3				
Resolution	<table border="1"> <tr> <td>RAW</td> <td>200 x 100 dpi, 200 x 200 dpi, 400 x 400 dpi, 600 x 600 dpi</td> </tr> <tr> <td>Colour</td> <td>200 x 200 dpi, 400 x 400 dpi, 600 x 600 dpi</td> </tr> </table>	RAW	200 x 100 dpi, 200 x 200 dpi, 400 x 400 dpi, 600 x 600 dpi	Colour	200 x 200 dpi, 400 x 400 dpi, 600 x 600 dpi
RAW	200 x 100 dpi, 200 x 200 dpi, 400 x 400 dpi, 600 x 600 dpi				
Colour	200 x 200 dpi, 400 x 400 dpi, 600 x 600 dpi				
Interface	Ethernet (10BASE-T/100BASE-TX/1000BASE-T)				
Colour	Support Colour Internet Fax				
Format	RAW, TIF, PDF Colour, TIFF (conforms to IEC3194 Profile C)				

Fax Kit FK-514 (Optional)

Communication	Super G3								
Compatible Lines	Public Switch Telephone Network, Private Branch Exchange, Fax Communication Line								
Line Density	<table border="1"> <tr> <td>Ultra Fine</td> <td>600 dpi, 600 dpi</td> </tr> <tr> <td>Super Fine</td> <td>16 dots/mm, 15.4 lines/mm, 400 dpi, 400 dpi</td> </tr> <tr> <td>Fine</td> <td>8 dots/mm, 7.7 lines/mm, 200 dpi, 200 dpi</td> </tr> <tr> <td>Normal</td> <td>8 dots/mm, 8.6 lines/mm</td> </tr> </table>	Ultra Fine	600 dpi, 600 dpi	Super Fine	16 dots/mm, 15.4 lines/mm, 400 dpi, 400 dpi	Fine	8 dots/mm, 7.7 lines/mm, 200 dpi, 200 dpi	Normal	8 dots/mm, 8.6 lines/mm
Ultra Fine	600 dpi, 600 dpi								
Super Fine	16 dots/mm, 15.4 lines/mm, 400 dpi, 400 dpi								
Fine	8 dots/mm, 7.7 lines/mm, 200 dpi, 200 dpi								
Normal	8 dots/mm, 8.6 lines/mm								
Modem Speed	2.4 to 33.6 kbps								
Compression	MH/MR/MR2/BIG								
Scanning Paper Size	Max. A3 (Long Length Support, Max. 1,000 mm)								
Recording Paper Size	Max. A3 (Long Length Max. 1,000 mm, following the pipe division)								
Transmission Speed	Less than 3 sec. (M, V34, 33.6 kbps, JIS)								
Number of Abbr. Dials	2,000								
Number of Program Dials	400								
Number of Group Dials	100								
Sequential Multiple Station Transmission	Max. 600								

IP Address Fax

Protocol Implementation	TCP/IP, SFTP
Scanning Paper Size	A3, B4, A4
Resolution	200 x 200 dpi, 400 x 400 dpi, 600 x 600 dpi
Format	RAW, TIF, PDF Colour, TIFF, PDF

Reverse Automatic Document Feeder DF-629 (Optional)

Type	Conveyer duplex system				
Support Paper Size	Max. A3 (Fax mode), Max. 1,000 mm				
Input Size	Support				
Original Size	Conveyer guide				
Support Paper Weight	Thin paper: 35 to 49 g/m <sup>2</sup> (Simplex) Plain paper: 50 to 128 g/m <sup>2</sup> (Duplex/Mixed Original)				
Paper Capacity	Max. 100 sheets (80 g/m <sup>2</sup> )				
Productivity (A4)	<table border="1"> <tr> <td>Colour/RAW</td> <td>80 ppm (300 dpi), 55 ppm (600 dpi)</td> </tr> <tr> <td>Colour/RAW</td> <td>37 ppm (300 dpi), 28 ppm (600 dpi)</td> </tr> </table>	Colour/RAW	80 ppm (300 dpi), 55 ppm (600 dpi)	Colour/RAW	37 ppm (300 dpi), 28 ppm (600 dpi)
Colour/RAW	80 ppm (300 dpi), 55 ppm (600 dpi)				
Colour/RAW	37 ppm (300 dpi), 28 ppm (600 dpi)				
Power Requirements	Supported from the MFP main body				
Dimensions (W) x (D) x (H)	611 x 564 x 127 mm (24-1/16" x 10-13/16" x 5")				
Weight	Approx. 3 kg (6.6 lb)				

Dual Scan Document Feeder DF-704 (Optional)

Type	Rolls feed simultaneous duplex system				
Support Paper Size	Max. A3 (Fax mode), Max. 1,000 mm				
Input Size	Support				
Original Size	Conveyer guide				
Support Paper Weight	Thin paper: 35 to 49 g/m <sup>2</sup> (Simplex) Plain paper: 50 to 163 g/m <sup>2</sup> (Duplex/Original), 50 to 128 g/m <sup>2</sup> (Mixed Original)				
Paper Capacity	Max. 150 sheets (80 g/m <sup>2</sup> )				
Productivity (A4)	<table border="1"> <tr> <td>Colour/RAW</td> <td>80 ppm (300 dpi), 55 ppm (600 dpi)</td> </tr> <tr> <td>Duplex</td> <td>Colour/RAW: 110 ppm (300 dpi), 110 ppm (600 dpi)</td> </tr> </table>	Colour/RAW	80 ppm (300 dpi), 55 ppm (600 dpi)	Duplex	Colour/RAW: 110 ppm (300 dpi), 110 ppm (600 dpi)
Colour/RAW	80 ppm (300 dpi), 55 ppm (600 dpi)				
Duplex	Colour/RAW: 110 ppm (300 dpi), 110 ppm (600 dpi)				
Power Requirements	Supported from the MFP main body				
Dimensions (W) x (D) x (H)	611 x 564 x 147 mm (24-1/16" x 10-13/16" x 5-9/16")				
Weight	Approx. 12 kg (26.5 lb)				

\*Optional Fax Kit FK-514 is required

For more information please visit the bizhub Web site at  
[http://www.biz.konicaminolta.com/colour/c368\\_c308\\_c258/index.html](http://www.biz.konicaminolta.com/colour/c368_c308_c258/index.html)

Product appearance, configuration and/or specifications are subject to change without notice.

KONICA MINOLTA, the KONICA MINOLTA logo and symbol mark, "Giving Shape to Ideas", bizhub, bizhub PRO, bizhub PRESS, magicolor, PagePro, PageScope, Simtri, Simtri HD, Simtri HD+, Simtri with BioInk, Empero, S.E.A.D.II, Printgroove and Konica Minolta Optimised Print Services and their respective logos are registered trademarks or trademarks of KONICA MINOLTA INC. Evimote is a registered trademark or trademark of Evimote Corporation. SharePoint is a registered trademark or trademark of Microsoft Corporation in the U.S. and other countries. All other brands and product names are registered trademarks or trademarks of their respective companies or organisations.

Ecology & Environment

KONICA MINOLTA products are designed with the environment in mind.

- Energy Star
- RoHS Compliance
- WEEE Compliance
- Eco-friendly Toners

REQUIREMENTS FOR SAFE USE

- Please read and follow the instruction manual to ensure safe operation.
- Only operate using appropriate power supply and voltage.
- Connecting the earth wire to an inappropriate place may cause explosion or electric shock. Please connect accordingly.

For more information: SMS "KM OFFICE" send to 52424 or Call: 1-800-266-2525  
Konica Minolta Business Solutions India Pvt. Ltd. : 10<sup>th</sup> Floor, Building No.8, Tower C,  
DLF Cyber City, Phase II Gurgaon, Haryana - 122002, India. Board No. +91-124 6652000.  
URL: [www.konicaminolta.in](http://www.konicaminolta.in), [marcom@bin.konicaminolta.in](mailto:marcom@bin.konicaminolta.in) | Konica Minolta Inc., Tokyo, Japan.

Connect with us :



Contact Point:





KONICA MINOLTA

# bizhub c368/C308/C258 Spec Sheet

## System



One of the options may be selected (not mandatory).



Once of the options must be selected (mandatory).



■ **Dual Scan Document Feeder DF-704**



■ **Reverse Automatic Document Feeder DF-629**



■ **Original Cover OC-511**



■ **Relay Unit RU-513**

■ **Staple Kit SK-602**  
\* for FS-534/FS-534SD

■ **Finisher FS-534**  
A compact and high-performance finisher with multi-staple up to 50 sheets.

■ **Punch Kit PK-520**  
Attaches to Finisher FS-534/FS-534SD for hole punching capability (paper up to 300 g/m<sup>2</sup> thick)



■ **Relay Unit RU-513**

■ **Staple Kit SK-602**  
\* for FS-534/FS-534SD

■ **Finisher FS-534SD**  
A compact and high-performance finisher with multi-staple, saddle stitching, half folding and tri-folding features.

■ **Punch Kit PK-520**  
Attaches to Finisher FS-534/FS-534SD for hole punching capability (paper up to 300 g/m<sup>2</sup> thick)



■ **Finisher FS-533**  
Inner finisher

■ **Punch kit PK-519**



■ **Job Separator JS-506**  
Inner job separator

■ **Upgrade kit UK-211**  
2 GB memory

■ **Upgrade kit UK-212**  
Wireless LAN kit  
\* EK-608 or EK-609 is required.

■ **Keypad KP-101**

■ **Device Connection I/F Kit EK-608**  
USB hub kit /Voice guidance

■ **Device Connection I/F Kit EK-609**  
Bluetooth LE /Voice guidance

■ **bizhub Connector S-1/G-1/E-1**

■ **Image Controller (Fiery) IC-416**  
\* UK-211 and VI-508 are required.

■ **Video Interface Kit (Fiery) VI-508**

■ **Upgrade kit UK-211**

■ **Security Kit SC-508**  
\* Two SC-508 are required when equipped with DF-704.

■ **Fax Kit FK-514**  
For 1st / 2nd line  
\* 1st line : Requires Main Unit + one FK-514  
\* 2nd line: Requires Main Unit + two FK-514

■ **Stamp Unit SP-501**

■ **Clean Unit CU-101** \* MK-745 is required.

■ **Mount Kit MK-745**

■ **HDD Mirroring Kit HD-524** For Mirroring

■ **Working Table WT-506**

■ **Authentication Unit AU-102**  
Biometric type \* WT-506 is required.

■ **Authentication Unit AU-201S**  
IC card type \* WT-506 or MK-735 is required.  
However, AU-102 cannot be combined when equipped with WT-506.

■ **Mount Kit MK-735**  
For IC card authentication installation  
Built into front panel.

■ **Mount Kit MK-730**  
Used for banner printing.

■ **Large Capacity Unit LU-302**

■ **Desk DK-705**

■ **Paper Feed Cabinet PC-110 (500 x 1)**

■ **Paper Feed Cabinet PC-210 (500 x 2)**

■ **Paper Feed Cabinet PC-410 (2,500)**

■ **Desk DK-510**

\* Cannot be selected with FS-534/FS-534SD installed.

• A5 (Short edge feed) to A3  
• 500 sheets x 1  
• 52 to 256 g/m<sup>2</sup>

• A5 (Short edge feed) to A3  
• 500 sheets x 2  
• 52 to 256 g/m<sup>2</sup>

• A4/Letter (Long edge feed)  
• 2,500 sheets  
• 52 to 256 g/m<sup>2</sup>

Note: Some options are not listed.

Giving Shape to Ideas

# Specifications

## bizhub C368/C308/C258 General Specifications

	bizhub C368	bizhub C308	bizhub C258
Type	Desktop Full Colour Printer / Copier / Scanner		
Colour Support	Full colour		
Copy Resolution	Scan	Main: 600 dpi × Sub: 600 dpi	
	Print	1,800 dpi (equivalent) × 600 dpi	
Gradation	256		
Memory Capacity (Std./Max.)	2 GB/4 GB		
HDD	250 GB		
Original type	Sheets, Books, Objects		
Max. Original Size	A3 (11" × 17")		
Output Size	Main unit: SRA3*, A3 to A5, 12-1/4" × 18" (A3 wide (311.1 mm × 457.2 mm)), 11" × 17" to 8-1/2" × 11", 5-1/2" × 8-1/2", 8" × 13", 16K, 8K Bypass Tray: SRA3, A3 to A5, B6*, A6*, 12" × 18" (A3 wide (311.1 mm × 457.2 mm)), 11" × 17" to 5-1/2" × 8-1/2", 8" × 13", 16K, 8K, Postcard (A6 (4" × 6" Card)), Envelope*, Label sheet, Tab paper, Banner paper (Width: 210 mm to 297 mm (8-1/4" to 11-11/16")), Length: 457 mm to 1,200 mm (18" to 47-1/4")**		
Image Loss	Max. 4.2mm or less for top edge (5 mm for thin paper), Max. 3.0mm or less for bottom edge, Max. 3.0mm or less for right/left edges *A loss of 4.2 mm each during printing		
Warm-Up Time** (23°C, std. voltage)	Colour/B&W: 20 sec. or less		
*The time required to start printing when both the main power switch is ON and the sub-power switches are turned OFF to ON.			
**The time required to start printing when the main power switch is ON and the sub-power switch is turned ON to OFF to ON.			
First Copy Out Time**	Colour	6.9 sec. or less	7.3 sec. or less
	B&W	5.3 sec. or less	5.6 sec. or less
		7.5 sec. or less	6.1 sec. or less
Copy Speed (Colour/B&W, A4)		36 ppm	30 ppm
Copy Magnification	Fixed Same Magnification	1: 1±0.5% or less	
	Scaling Up	1: 1.64/1.224/1.414/2.000	
	Scaling Down	1: 0.66/0.816/0.707/0.500	
	Preset	3 types	
	Zoom	25 to 400% (in 0.1% increments)	
	Lengthwise Crosswise (Individual Settings)	25 to 400% (in 0.1% increments)	
Paper Capacity (80 g/m <sup>2</sup> )	Tray 1	500 sheets (up to A3)	
	Tray 2	500 sheets (up to SRA3)	
	Multiple Bypass Tray	150 sheets (up to SRA3)	
Max. Paper Capacity (80 g/m <sup>2</sup> )**		6,650 sheets	
Paper Weight	Tray 1/2	52 to 256 g/m <sup>2</sup>	
	Multiple Bypass Tray	60 to 300 g/m <sup>2</sup>	
Multiple Copy		1 to 9,999 sheets	
Auto Duplex	Paper Size	SRA3, A3 to A5, B6*, A6*, 12-1/4" × 18" (A3 wide (311.1 mm × 457.2 mm)), 11" × 17" to 5-1/2" × 8-1/2", 7-1/4" × 10-1/2", 8" × 13", 16K, 8K, Postcard (A6 (4" × 6" Card))	
	Paper Weight	52 to 256 g/m <sup>2</sup>	
Power Requirements	AC220 to 240 V 8.0 A (50/60 Hz)		
Max. Power Consumption	1.5 kW or less		
Dimensions (W) × (D) × (H)	615 × 685 × 779 mm (24-3/16" × 27-15/16" × 30-11/16")		
Weight	Approx. 86 kg (187-3/8 lb)		
Space Requirements (W) × (D)**	937 × 1,214 mm (36-7/8" × 47-13/16")		

- \*1 SRA3 paper can be used in Tray2
- \*2 There are four types of foldsize: 8-1/2" × 13-1/2", 8-1/2" × 13", 8-1/4" × 13", and 8" × 13". Any one of these sizes is selectable. For details, contact your service representative.
- \*3 Short edge feed
- \*4 There are six types of foldsize: 8-1/2" × 13-1/2", 220 mm × 330 mm<sup>†</sup>, 8-1/2" × 13", 8-1/4" × 13", 8-1/8" × 13-1/4", and 8" × 13". Any one of these sizes is selectable. For details, contact your service representative.
- \*5 Wrinkles or printing errors may occur due to the type, storage or environment that exists when envelope printing is carried out.
- \*6 Printing on banner paper can only be performed from a PC.
- \*7 May vary depending on the operating environment and usage.
- \*8 A4 long edge feed full size using the first tray/scanning from the original glass surface.
- \*9 With options installed.
- \*10 Without options, with 1 paper trays pulled out, and multiple bypass tray, auxiliary tray and ADF opened.

## Printer Specifications

Type	Embedded
CPU	ARM Cortex-A7 Dual-core 1.2GHz
Memory	Shared with the copier
Print Speed	Same as Copy Speed (when using the same original)
HDD	250 GB (Shared with the copier)
Print Resolution	1,800 dpi (equivalent) × 600 dpi (at smoothing) or 1,200 dpi × 1,200 dpi (in 1,200 dpi mode)
PDL	PCL 6, PostScript 3 Emulation, XPS
Protocol	TCP/IP, IPX/SPX (NDIS support), SMB (NetBEUI), LPD, IPP1.1, SNMP, AppleTalk
Support OS	Windows Vista*/7*/8*/8.1*/10**
	Windows Server 2008*/2008 R2/2012/2012 R2
	Mac OS X (10.6/10.7/10.8/10.9/10.10/10.11)
Fonts	PCL: 80 Roman fonts
	PS: 137 Roman Type1 fonts
Interface	Ethernet (10BASE-T/100BASE-TX/1000BASE-T), USB 1.1, USB 2.0, IEEE 802.11 b/g/n**

- \*1 Supports the 32-bit (x86) or 64-bit (x64) environment.
- \*\* Optional

## Scanning Specifications

Type	Full-Colour Scanner	
Interface	Ethernet (10BASE-T/100BASE-TX/1000BASE-T), IEEE 802.11 b/g/n**	
Driver	TWAIN Driver, HDD TWAIN Driver	
Protocol	TCP/IP, FTP, SMB, SMTP, WebDAV (if v4/IPv6)	
Scanning Speed (Colour/B&W) (800 dpi, A4, Simplex)	80 ppm**	
Scanning Size	Max. A3 (11" × 17")	
Output Format	TIFF, JPEG, PDF, Compact PDF, XPS, Compact XPS, OOXML (text, xlsx*, docx*), Searchable PDF**, PDF/A**, Linearised PDF**	
Scanning Resolution	Push	200 dpi / 300 dpi / 400 dpi / 600 dpi
	Pull	100 dpi / 200 dpi / 300 dpi / 400 dpi / 600 dpi
Main Functions	Scan to E-Mail, Scan to FTP, Scan to Box (HDD), Scan to PC (SMB), Network TWAIN, Scan to WebDAV, Scan to USB, Scan to Scan Server, Scan to Web Service (Web Scan), Device Profile for Web Services (DPWS)	
Other Functions	Multi-Method Send, Authentication at the time of E-Mail send (SMTP authentication, POP before SMTP), S/MIME, Annotation	

- \*1 Optional
- \*\* When using the Automatic Document Feeder.

## Internet Fax

Protocol	TX: SMTP, FAX, POP3, TCP/IP Simple mode
Connection Mode	Full Mode
Supporting Paper Size	A3, B4, A4
Recording Paper Size	Max. A3
Resolution	RAW: 200 × 100 dpi, 200 × 200 dpi, 400 × 400 dpi, 600 × 600 dpi Colour: 200 × 200 dpi, 400 × 400 dpi, 600 × 600 dpi
Interface	Ethernet (10BASE-T/100BASE-TX/1000BASE-T)
Colour	Support Colour Internet Fax
Format	RAW, TIFF-F Colour: TIFF (Conforms to RFC3949 Profile-C)

## Fax Kit FK-514 (Optional)

Communication	Super G3
Compatible Lines	Public Switch Telephone Network, Private Branch Exchange, Fax Communication Line
Line Density	Ultra Fine: 600 dpi / 600 dpi
	Super Fine: 16 dot/mm / 15.4 line/mm, 400 dpi / 400 dpi
	Fine: 8 dot/mm / 7.7 line/mm, 200 dpi / 200 dpi Normal: 6 dot/mm / 3.85 line/mm
Modem Speed	2.4 to 33.6 kbps
Compression	MH/MR/MR/RL/BI/BC
Supporting Paper Size	Max. A3 (Long Length Support: Max. 1,000 mm)
Recording Paper Size	Max. A3 (Long Length Max. 1,000 mm — following the page division —)
Transmission Speed	Less than 2 sec. (A4, V34, 33.6 kbps, BI/BC)
Memory	Shared with the copier
Number of Abort Data	2,000
Number of Program Data	400
Number of Group Data	100
Sequential Multiplex Station Transmission	Max. 600

## IP Address Fax \*Optional Fax Kit FK-514 is required.

Protocol transmission	TCP/IP SMTP
Supporting Paper Size	A3, B4, A4
Resolution	200 × 200 dpi, 400 × 400 dpi, 600 × 600 dpi
Format	B&W, TIFF-F, TIFF-S Colour: TIFF, PDF

## Fiery Image Controller IC-416 (Optional)

\* Optional Upgrade Kit UK-211 and Video Interface Kit V-508 is required.

Type	Embedded
CPU	Intel Pentium G850 2.93GHz
Memory	2 GB
HDD	500 GB
Print Speed	Same as Copy Speed (when using the same original)
Print Resolution	1,800 dpi (equivalent) × 600 dpi (at smoothing) or 1,200 dpi × 1,200 dpi (in 1,200 dpi mode)
PDL	Adobe PostScript 3
Protocol	Ethernet (AppleTalk, TCP/IP), HTTP/HTTPS, SSL/TLS for HTTPS, SNMP v3, SMB, Port1900 (Bi-Directional), IPP, LDAP, IPv6
Support OS	Windows Vista*/7*/8*/8.1*/10**
	Windows Server 2008*/2008 R2/2012
	Mac OS X (10.6/10.7/10.8/10.9/10.10/10.11)
Fonts	Adobe PS 138 Roman fonts, Apple PCL 80 Roman fonts and 1 bitmap font, Additional PCL 35 fonts, Euro Currency Resident Font
Interface	Ethernet (10BASE-T/100BASE-TX/1000BASE-T)

- \*1 Supports the 32-bit (x86) or 64-bit (x64) environment.

## Reverse Automatic Document Feeder DF-629 (Optional)

Type	Circulatory duplex system	
Support Paper Size	Max. A3 (Fax mode: Max. 1,000 mm)	
Mixed Size	Support	
Original Set	Centre guide	
Support Paper Weight	Thin paper: 35 to 49 g/m <sup>2</sup> (Simplex) Plain paper: 50 to 128 g/m <sup>2</sup> (Duplex/Mixed Original)	
Paper Capacity	Max. 100 sheets (80 g/m <sup>2</sup> )	
	Max. 100 sheets (160 g/m <sup>2</sup> )	
Productivity (A4)	Simplex	Colour/B&W: 80 ppm (300 dpi), 55 ppm (600 dpi)
	Duplex	Colour/B&W: 37 ppm (300 dpi), 28 ppm (600 dpi)
Power Requirements	Supplied from the MFP main body	
Dimensions (W) × (D) × (H)	611 × 504 × 127 mm (24-1/16" × 19-13/16" × 5")	
Weight	Approx. 9 kg (19-13/16 lb)	

## Dual Scan Document Feeder DF-704 (Optional)

Type	Single pass simultaneous duplex system	
Support Paper Size	Max. A3 (Fax mode: Max. 1,000 mm)	
Mixed Size	Support	
Original Set	Centre guide	
Support Paper Weight	Thin paper: 35 to 49 g/m <sup>2</sup> (Simplex) Plain paper: 50 to 163 g/m <sup>2</sup> (Simplex/Duplex), 50 to 128 g/m <sup>2</sup> (Mixed Original)	
Paper Capacity	Max. 100 sheets (80 g/m <sup>2</sup> )	
	Max. 100 sheets (160 g/m <sup>2</sup> )	
Productivity (A4)	Simplex	Colour/B&W: 80 ppm (300 dpi), 55 ppm (600 dpi)
	Duplex	Colour/B&W: 160 ppm (300 dpi), 110 ppm (600 dpi)
Power Requirements	Supplied from the MFP main body	
Dimensions (W) × (D) × (H)	611 × 504 × 142 mm (24-1/16" × 19-13/16" × 5.9/16")	
Weight	Approx. 12 kg (26-7/16 lb)	

# Specifications

## Finisher FS-533 (Optional)

Type	Finisher
Support Paper Type	Thin paper/Plain paper (52 to 90 g/m <sup>2</sup> ), Thick paper (91 to 300 g/m <sup>2</sup> ), Transparency, Envelope, Label sheet, Letterhead paper, Banner paper, Tab paper
Support Paper Size	SRA3, A3 to A5, B6 <sup>1</sup> , A6 <sup>1</sup> , 12-1/4" x 18" (A3 wide (311.1 mm x 457.2 mm)), 11" x 17" to 5-1/2" x 8-1/2", 16K, 8K, Postcard (A6 (4" x 6" Card)), Banner paper
Mode	Sort, Group, Offset Sort, Offset Group, Staple
Stacking Capacity	500 sheets (52 to 90 g/m <sup>2</sup> , A4 <sup>1</sup> or smaller) 250 sheets (52 to 90 g/m <sup>2</sup> , B4 or larger) 10 sheets (91 to 300 g/m <sup>2</sup> , special paper)
Staple Capacity	50 sheets (52 to 90 g/m <sup>2</sup> , A4 <sup>1</sup> or smaller) 30 sheets (52 to 90 g/m <sup>2</sup> , B4 or larger) 2 sheets (91 to 209 g/m <sup>2</sup> , as cover pages)
Power Requirements	Supplied from the MFP main body
Max. Power Consumption	40 W or less
Dimensions [W] x [D] x [H]	472.5 x 593.5 x 194.7 mm (18-1/2" x 23" x 7-3/4")
Weight	Approx. 12 kg (26-1/2 lb)

\*1 Short edge feed



## Finisher FS-534 (Optional)

Type	Finisher
Support Paper Type	Thin paper/Plain paper (52 to 90 g/m <sup>2</sup> ), Thick paper (91 to 300 g/m <sup>2</sup> ), Transparency, Envelope, Label sheet, Letterhead paper, Banner paper, Tab paper
Support Paper Size	SRA3, A3 to A5, B6 <sup>1</sup> , A6 <sup>1</sup> , 12-1/4" x 18" (A3 wide (311.1 mm x 457.2 mm)), 11" x 17" to 5-1/2" x 8-1/2", 16K, 8K, Postcard (A6 (4" x 6" Card)), Banner paper
Mode	Sort, Group, Offset Sort, Offset Group, Staple
Stacking Capacity	Output tray 1 (Sub tray): 200 sheets (52 to 90 g/m <sup>2</sup> ), 20 sheets (91 to 300 g/m <sup>2</sup> , special paper) Output tray 2 (Main tray): 3,000 sheets (52 to 90 g/m <sup>2</sup> , A4 <sup>1</sup> or smaller, B5 or larger), 1,500 sheets (52 to 90 g/m <sup>2</sup> , B4 or larger), 500 sheets (52 to 90 g/m <sup>2</sup> , A5 or smaller), 20 sheets (91 to 300 g/m <sup>2</sup> , special paper) Output tray 3 (Relay Unit top surface): 100 sheets (52 to 90 g/m <sup>2</sup> ), 20 sheets (91 to 300 g/m <sup>2</sup> , special paper)
Staple Capacity	50 sheets (Plain Paper 52 to 90 g/m <sup>2</sup> ) 48 sheets (Plain paper 52 to 90 g/m <sup>2</sup> ) + 2 sheets (Thick paper 91 to 209 g/m <sup>2</sup> ) 30 sheets (Thick paper 91 to 120 g/m <sup>2</sup> ) 15 sheets (Thick paper 121 to 209 g/m <sup>2</sup> )
Power Requirements	Supplied from the MFP main body
Max. Power Consumption	56 W or less
Dimensions [W] x [D] x [H]	528 x 641 x 1,023 mm (20-3/4" x 25-1/4" x 40-1/4")
Weight	Approx. 40 kg (88-1/4 lb)

\*1 Short edge feed



## Punch Kit PK-519 (Optional)

Applicable	Finisher FS-533
Number of holes	2 holes or 4 holes
Support Paper Type (Weight)	Thin paper/Plain paper (52 to 90 g/m <sup>2</sup> ), Thick paper (91 to 157 g/m <sup>2</sup> )
Support Paper Size	A3 to B5, 11" x 17" to 7-1/4" x 10-1/2"
Power Requirements	Supplied from Finisher FS-533
Dimensions [W] x [D] x [H]	110.2 x 489.5 x 203.2 mm (4-1/2" x 19" x 8")
Weight	Approx. 3.2 kg (7 lb)



## Finisher FS-534SD (Optional)

Type	Finisher
Support Paper Type	Thin paper/Plain paper (52 to 90 g/m <sup>2</sup> ), Thick paper (91 to 300 g/m <sup>2</sup> ), Transparency, Envelope, Label sheet, Letterhead paper, Banner paper, Tab paper Centre Staple: 52 to 90 g/m <sup>2</sup> , Half-Fold: 52 to 209 g/m <sup>2</sup> (more than 91 g/m <sup>2</sup> ) Thick paper can be used only as a cover page, Tri-Fold: 52 to 90 g/m <sup>2</sup>
Support Paper Size	SRA3, A3 to A5, B6 <sup>1</sup> , A6 <sup>1</sup> , 12-1/4" x 18" (A3 wide (311.1 mm x 457.2 mm)), 11" x 17" to 5-1/2" x 8-1/2", 16K, 8K, Postcard (A6 (4" x 6" Card)), Banner paper Centre Staple, Half-Fold: A3, B4, A4 <sup>1</sup> , 12-1/4" x 18" (A3 wide (311.1 mm x 457.2 mm)), 12" x 18", 11" x 17", 8-1/2" x 14", 8-1/2" x 11", 8K Tri-Fold: A4 <sup>1</sup> , 8-1/2" x 11", 16K <sup>1</sup>
Mode	Sort, Group, Offset Sort, Offset Group, Staple
Staple Capacity	60 sheets (Plain Paper 52 to 90 g/m <sup>2</sup> ) 48 sheets (Plain paper 52 to 90 g/m <sup>2</sup> ) + 2 sheets (Thick paper 91 to 209 g/m <sup>2</sup> ) 30 sheets (Thick paper 91 to 120 g/m <sup>2</sup> ) 15 sheets (Thick paper 121 to 209 g/m <sup>2</sup> )
Maximum Number of Sheets that can be Centrestapled	20 (52 to 90 g/m <sup>2</sup> ) sheets, or 19 (90 g/m <sup>2</sup> ) sheets + Thick (209 g/m <sup>2</sup> ) 1 sheet
Maximum Number of Folded Sheets	Half-Fold: 5 sheets or Thick (91 to 209 g/m <sup>2</sup> ) 1 sheet, Tri-Fold: 3 sheets
Stacking Capacity	Output tray 1 (Sub tray): 200 sheets (52 to 90 g/m <sup>2</sup> ), 20 sheets (91 to 300 g/m <sup>2</sup> , special paper) Output tray 2 (Main tray): 3,000 sheets (52 to 90 g/m <sup>2</sup> , A4 <sup>1</sup> or smaller, B5 or larger), 1,500 sheets (52 to 90 g/m <sup>2</sup> , B4 or larger), 500 sheets (52 to 90 g/m <sup>2</sup> , A5 or smaller), 20 sheets (91 to 300 g/m <sup>2</sup> , special paper) Output tray 3 (Relay Unit top surface): 100 sheets (52 to 90 g/m <sup>2</sup> ), 20 sheets (91 to 300 g/m <sup>2</sup> , special paper) Folding output tray: 1 to 3 sheets: 20 sets 4 to 10 sheets: 10 sets 11 to 20 sheets: 5 sets Tri-Fold (1 sheet): 30 sets Tri-Fold (2-3 sheets): 10 sets
Power Requirements	Supplied from the MFP main body
Max. Power Consumption	56 W or less
Dimensions [W] x [D] x [H]	528 x 641 x 1,023 mm (20-3/4" x 25-1/4" x 40-1/4")
Weight	Approx. 64 kg (141 lb)

\*1 Short edge feed



## Job Separator JS-506 (Optional)

Support Paper Type (Weight)	Tray 1	Tray 2
	Thin paper/Plain paper (52 to 90 g/m <sup>2</sup> ), Thick paper (91 to 300 g/m <sup>2</sup> ), Transparency, Envelope, Label sheet	Thin paper/Plain paper (52 to 90 g/m <sup>2</sup> ), Thick paper (91 to 300 g/m <sup>2</sup> ), Transparency, Envelope, Label sheet, Banner paper
Support Paper Size	SRA3, A3 to A5, B6 <sup>1</sup> , A6 <sup>1</sup> , 12-1/4" x 18" (A3 wide (311.1 mm x 457.2 mm)), 11" x 17" to 5-1/2" x 8-1/2", 16K, 8K, Postcard (A6 (4" x 6" Card)), Banner paper	SRA3, A3 to A5, B6 <sup>1</sup> , A6 <sup>1</sup> , 12-1/4" x 18" (A3 wide (311.1 mm x 457.2 mm)), 11" x 17" to 5-1/2" x 8-1/2", 16K, 8K, Postcard (A6 (4" x 6" Card)), Banner paper
Stacking Capacity	Tray 1: 100 sheets (52 to 90 g/m <sup>2</sup> ) Tray 2: 150 sheets (52 to 90 g/m <sup>2</sup> )	Supplied from MFP main body
Power Requirements	Supplied from MFP main body	
Max. Power Consumption	24 W or less	
Dimensions [W] x [D] x [H]	451 x 488 x 227 mm (17-3/4" x 19-1/2" x 9")	
Weight	Approx. 1.5 kg (3-1/4 lb)	

\*1 Short edge feed



## Paper Feed Cabinet PC-110 (Optional)

Support Paper Type (Weight)	Thin paper/Plain paper (52 to 90 g/m <sup>2</sup> ) Thick paper (91 to 256 g/m <sup>2</sup> )
Support Paper Size	A3 to A5 <sup>1</sup> , 11" x 17" to 5-1/2" x 8-1/2", 8" x 13", 16K, 8K
Paper Capacity (Top tray (Tray 3))	Plain paper: 500 sheets, Thick paper: 150 sheets
Power Requirements	Supplied from the MFP main body
Dimensions [W] x [D] x [H]	615 x 652 x 246 mm (24-1/4" x 25-3/4" x 9-3/4")
Unit Configuration	Paper tray, 1 level
Weight	Approx. 22 kg (48-1/2 lb)

\*1 Short edge feed



## Paper Feed Cabinet PC-210 (Optional)

Support Paper Type (Weight)	Thin paper/Plain paper (52 to 90 g/m <sup>2</sup> ) Thick paper (91 to 256 g/m <sup>2</sup> )
Support Paper Size	A3 to A5 <sup>1</sup> , 11" x 17" to 5-1/2" x 8-1/2", 8" x 13", 16K, 8K
Paper Capacity (Top tray (Tray 3))	Plain paper: 500 sheets, Thick paper: 150 sheets
Bottom tray (Tray 4)	Plain paper: 500 sheets, Thick paper: 150 sheets
Power Requirements	Supplied from the MFP main body
Dimensions [W] x [D] x [H]	615 x 652 x 246 mm (24-1/4" x 25-3/4" x 9-3/4")
Unit Configuration	Paper tray, 2 levels
Weight	Approx. 24 kg (53 lb)

\*1 Short edge feed



## Paper Feed Cabinet PC-410 (Optional)

Support Paper Type (Weight)	Thin paper/Plain paper (52 to 90 g/m <sup>2</sup> ) Thick paper (91 to 256 g/m <sup>2</sup> )
Support Paper Size	A4 <sup>1</sup> , 8-1/2" x 11" <sup>1</sup>
Paper Capacity	Thin paper, Plain paper: 2,500 sheets, Thick paper: 1,000 sheets
Power Requirements	Supplied from the MFP main body
Dimensions [W] x [D] x [H]	615 x 652 x 246 mm (24-1/4" x 25-3/4" x 9-3/4")
Unit Configuration	Paper tray, 2 levels
Weight	Approx. 23 kg (50-3/4 lb)

\*1 Long edge feed



## Large Capacity Unit LU-302 (Optional)

Support Paper Type (Weight)	Thin paper/Plain paper (52 to 90 g/m <sup>2</sup> ) Thick paper (91 to 256 g/m <sup>2</sup> )
Support Paper Size	A4 <sup>1</sup> , 8-1/2" x 11" <sup>1</sup>
Paper Capacity	Thin paper, Plain paper: 3,000 sheets, Thick paper: 1,300 sheets
Power Requirements	Supplied from the MFP main body
Dimensions [W] x [D] x [H]	367 x 528 x 405 mm (14-1/2" x 20-3/4" x 16")
Weight	Approx. 16 kg (35-3/4 lb)

\*1 Long edge feed



## Punch Kit PK-520 (Optional)

Applicable	Finisher FS-534/FS-534SD
Number of holes	2 holes or 4 holes
Support Paper Type (Weight)	Thin paper/Plain paper (52 to 90 g/m <sup>2</sup> ), Thick paper (91 to 300 g/m <sup>2</sup> )
Support Paper Size	A3 to B5, 11" x 17" to 7-1/4" x 10-1/2", 16K, 8K
Power Requirements	Supplied from Finisher FS-534/FS-534SD
Dimensions [W] x [D] x [H]	61 x 492 x 142 mm (2-1/2" x 19-1/2" x 5-1/2")
Weight	Approx. 1.8 kg (4 lb)



## Authentication Unit (IC Card type) AU-201S (Optional)

Applicable Card	FeliCa (IDM), SSFC, FIC, FCF (campus), FeliCa Private, TypeA MiFARE (UID), NFC (Heat Card Emulator)
Interface	USB 2.0
Power Supply	Power received from USB port
Dimensions [W] x [D] x [H]	98 x 64 x 13 mm (3-7/8" x 2-1/2" x 1/2") (not including projections)
Weight	Approx. 100 g (1/4 lb)

## Authentication Unit (Biometric type) AU-102 (Optional)

Biometric Sensor System	Transmission-type optical system
Interface	USB 2.0
Verification Time	Approx. 1 sec. or less
Max. Power Consumption	DC 5V 500 mA
Dimensions [W] x [D] x [H]	59 x 82 x 24 mm (2-1/4" x 3-1/4" x 3")
Weight	Approx. 96 g (1/4 lb) (excluding USB cable)



## i-Option

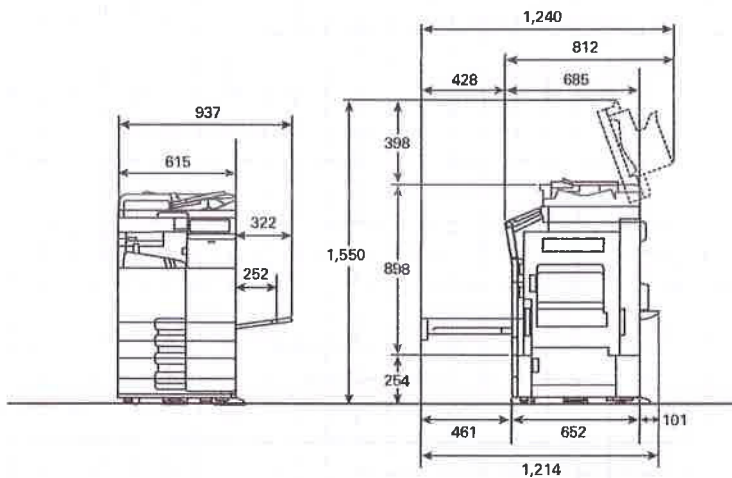
Model	Function	Note
i-Option LK-102 v3	Encrypted PDF or PDF/A (1a/1b)	Upgrade Kit UK-211 is required.
i-Option LK-104 v3	Voice guidance*1	
i-Option LK-105 v4	Searchable PDF	
i-Option LK-106	Barcode font (Code39, QR Code, PDF417)	
i-Option LK-107	Unicode font	
i-Option LK-108	OCR font (OCR-A, OCR-B (PCL))	
i-Option LK-110 v2	File format extension package	
i-Option LK-111	ThinPrint function	
i-Option LK-114	Server-less Pull Printing function	Upgrade Kit UK-211 is required.
i-Option LK-115 v2	TPM function	Not available in China.

\*1 Device Connection I/F Kit EK-608 or EK-609 is required.

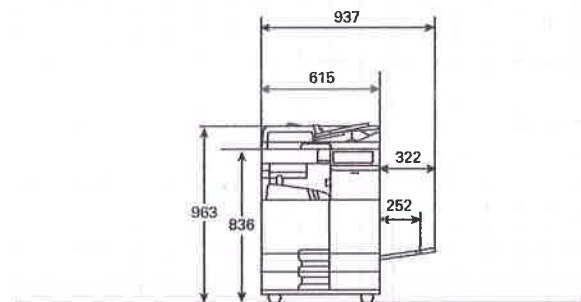
## Space Requirements

Dimensions (unit: mm)

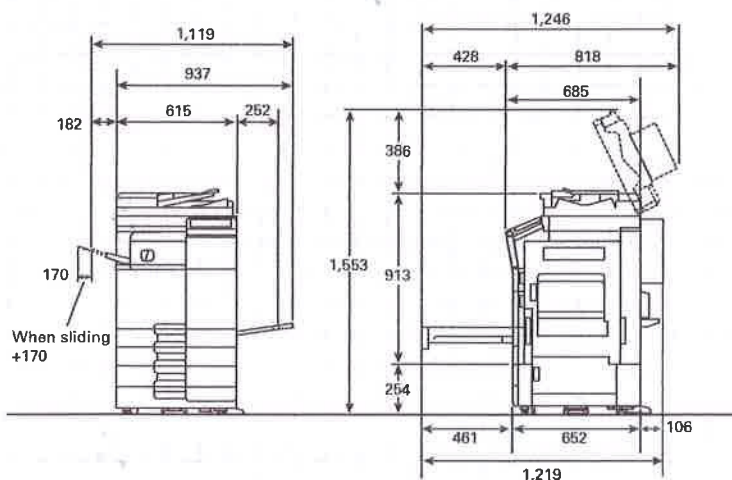
■ bizhub C368/C308/C258 + DF-629 + PC-210 (PC-110/PC-410/DK-510)



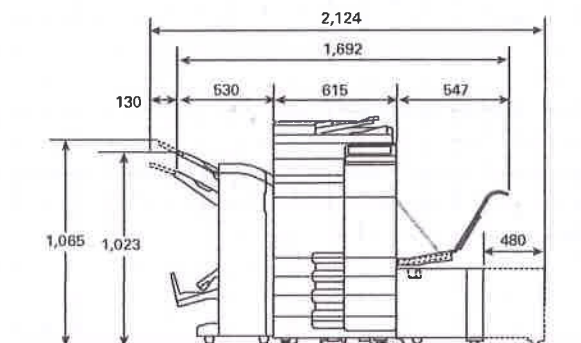
■ bizhub C368/C308/C258 + DK-705 + DF-629



■ bizhub C368/C308/C258 + DF-704 + PC-210 (PC-110/PC-410/DK-510) + FS-533 + CU-101



■ bizhub C368/C308/C258 + DF-629 + PC-210 (PC-110/PC-410/DK-510) + MK-730 + RU-513 + FS-534SD



**ECOTANK PRINTERS**  
**ECOTANK L15150**

ENCLOSURE 5

**EPSON**  
 EXCEED YOUR VISION



**ECONOMICAL A3+ OFFICE PRINTING WITH A MULTI-FUNCTION ADVANTAGE.**

A cost-saving A3 printer that does more for your business. Epson's EcoTank L15150 has an ultra-high page yield of up to 7,500 pages (Black) and 6,000 pages (Colour). Paired with the new EcoTank DURABrite ET INK, it delivers prints that are sharp and crystal-clear - even in barcode mode. Enhance your productivity as Epson's Heat-Free Technology enables high-speed printing at a low power consumption. Get more for less, right down to the details.



**EcoTank L15150**

-   
Print Speed
-   
Print Up to A3+<sup>1</sup>
-   
Duplex Printing
-   
Ultra-high Page Yield
-   
WiFi Direct
-   
Ethernet
-   
Epson Connect



Each printer comes bundled with a starter kit of 4 bottles of Epson genuine inks.

**DURABrite ET INK**

Get prints that are impeccable with the new EcoTank inks.

**Low-cost Productivity**

Enjoy ultra-high page yields of up to 7,500 (black) and 6,000 (colour) to increase your productivity.

**Epson's Heat-Free Technology**

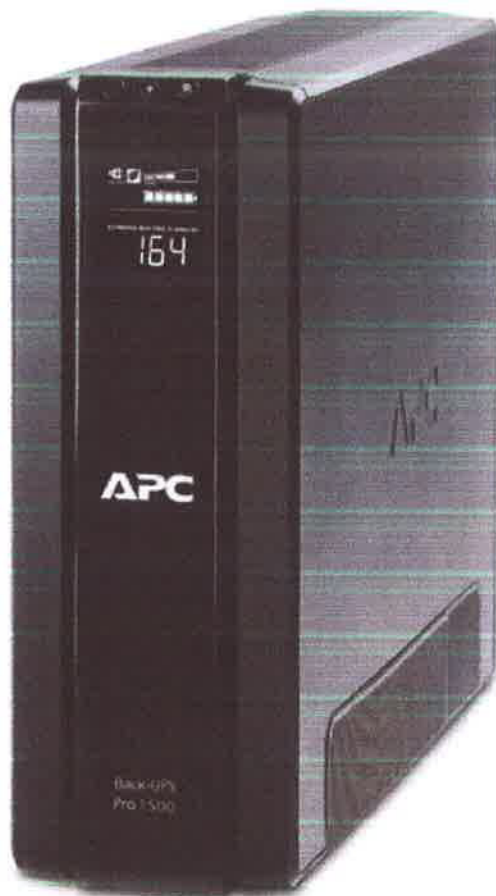
A revolutionary technology that consumes less power, thereby saving money and the environment.

<sup>1</sup>Under standard test conditions. <sup>2</sup>Applicable only for Simplex printing.

# BackUPS Pro Range

Introducing APC BackUPS Pro range with stunning looks and class leading features like LCD screen and Green features

BR1500G-IN, BR1000G-IN, BR24BPG-IN



**APC BackUPS Pro range offers great new features that no other UPS offers today**

- > Easy to understand LCD Screen
- > Great looks
- > Green features - saves electricity
- > Capacity to add a XL battery pack
- > PowerChute 3.0 Software
- > 6 Indian sockets

# BackUPS Pro Features

## LCD Screen

LCD Screen that is easy to understand. Now its easy to check the UPS parameters. Displays

- > Sensitivity setting
  - > Battery Charge
  - > Power Saving function on/off
  - > On-Line / On Battery
  - > Replace Battery
  - > Overload
  - > AVR
  - > Input / Output Voltage
  - > System Faults
  - > Mute On/Off
  - > Load in Watts & Percent



## Great looks

With its stunning looks it is sure to win a lot of admiration.

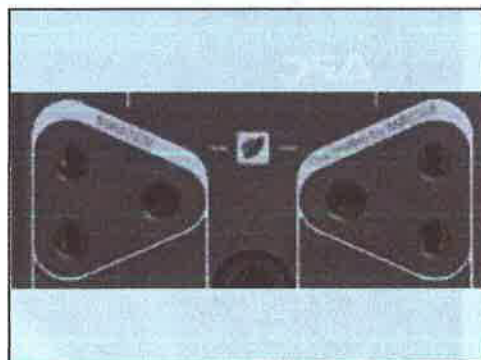
- > For once you can now showoff your UPS



## Green Feature

Programmable master outlet controls the slave outlet and switches off the load on slave outlet if the master goes in hibernation

- > Saves upto INR2000 in electricity bill every year

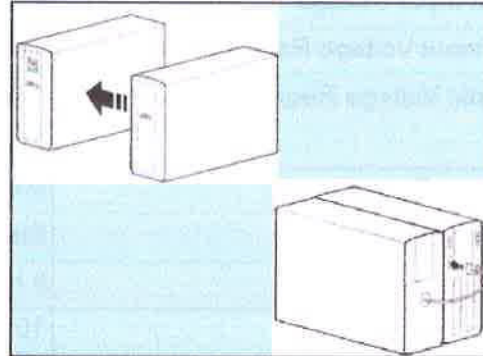


# BackUPS Pro Features

## Capability to add XL battery pack

Enhance runtime by adding BR24BPG-IN battery pack.

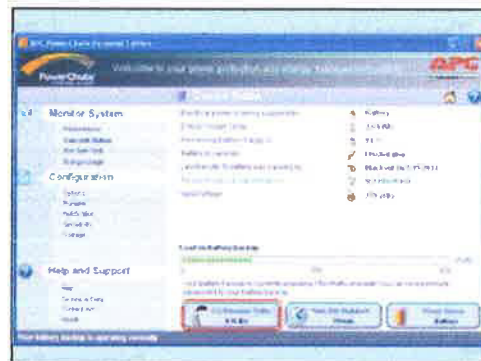
- > 9Ah x 4 Battery in the battery pack
- > Sold separately



## PowerChute 3.0

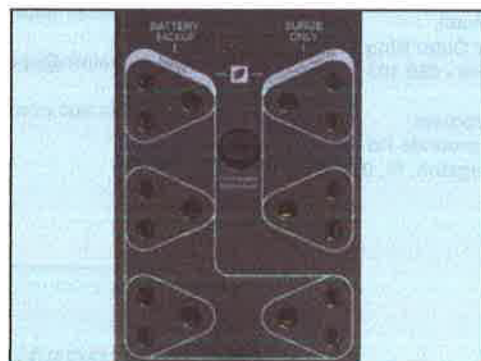
Great new software that does more than just switching off the PC

- > Know your energy consumption
- > CO2 emission – knowing it is the first step to controlling it



## 6 nos 3 pin Indian Outlets

- > 4 Battery backed sockets
- > 2 Surge only sockets
- > Standard Indian 6A sockets



**APC**

by Schneider Electric

# Specifications

Model	BR1000G-IN	BR1500G-IN
VA	1000 VA	1500 VA
Maximum Load	600 W	865 W
Nominal Input Voltage	220 Vac-240 Vac	
Online Input Voltage Range	170 Vac to 294 Vac	
Automatic Voltage Regulation	182 Vac-216 Vac +17% 252 Vac-282 Vac -17%	
Frequency Range	50/60 Hz $\pm$ 1 Hz	
On-battery wave shape	Step-approximated sine-wave	
Typical Recharge Time	8 hours	
Transfer Time	10 ms, maximum	
Operating Temperature	0° to 40° C (32° to 104°F)	
Storage Temperature	-5° to 45° C (23° to 113° F)	
Unit Dimensions	30.1 × 11.2 × 38.2 cm (11.9 × 4.4 × 15 in)	
Unit Weight	12 kg (26 lbs)	
Interface	Serial, USB	

APC India  
4th Floor, Electra, Wing 'B'  
Exora Business parks  
Marathahalli,  
Sarjapur Outer Ring Road,  
Bangalore - 560 103

APC Corporate  
132 Fairgrounds Rd.  
West Kingston, RI, 02892 USA

Customer Service:  
Toll free (BSNL Network): 1-800-4254-272  
All other networks: (add city code) 39022272

[indiainfo@apc.com](mailto:indiainfo@apc.com)

[www.apc.com/in](http://www.apc.com/in)

Business card scan  
or partner logo here  
(delete box if neither  
of these is used)

**APC**  
by Schneider Electric