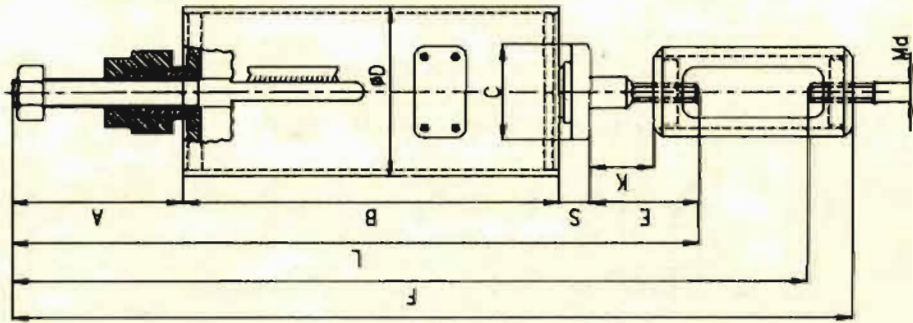


OVERALL DIMENSIONS OF VARIABLE SPRING HANGERS
TYPE : SA - ** -- 080



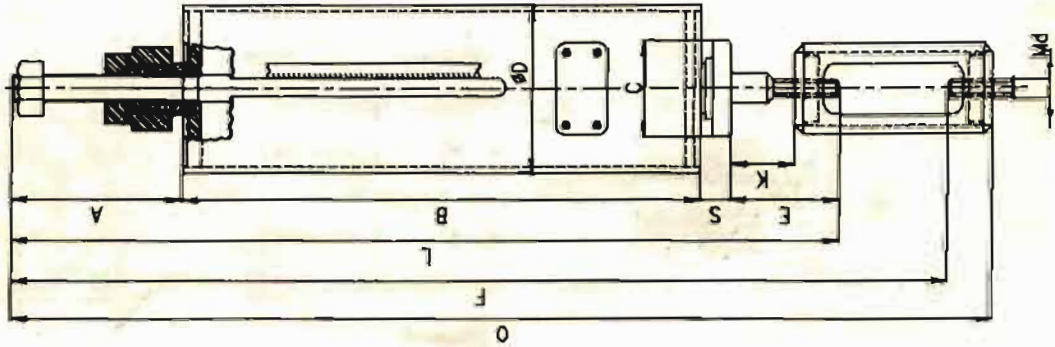
TYPE SPRING	BIN CODE NUMBER	(...HOUSING...) D	CONN.TH SIZE: MdDIMENSIONS.....											ASSY. Wt (Kg)
				E	L	F	O	A	C	K	S				
SA-01-080	94-821-461-00	113.9	M12 X 1.75	133	517	567	638	156	70	100	24	5.515			
SA-02-080	94-821-462-00	166.5	M12 X 1.75	133	512	562	633	155	70	100	23	8.631			
SA-03-080	94-821-463-00	113.9	M12 X 1.75	183	634	584	755	156	80	150	24	7.406			
SA-04-080	94-821-464-00	113.9	M12 X 1.75	183	651	701	772	156	80	150	24	8.641			
SA-05-080	94-821-465-00	166.5	M16 X 2.00	246	740	815	920	173	80	200	23	15.532			
SA-06-080	94-821-466-00	166.5	M16 X 2.00	246	739	814	919	172	80	200	23	16.764			
SA-07-080	94-821-467-00	219.1	M20 X 2.50	250	769	844	949	190	90	200	24	28.814			
SA-08-080	94-821-468-00	166.5	M24 X 3.00	304	932	1007	1112	205	110	250	25	31.512			
SA-09-080	94-821-469-00	219.1	M24 X 3.00	304	991	1066	1171	202	110	250	24	54.087			
SA-10-080	94-821-470-00	219.1	M30 X 3.50	371	1126	1201	1317	327	130	300	35	74.479			
SA-11-080	94-821-471-00	323.9	M36 X 4.00	377	1136	1211	1327	253	150	300	33	122.835			
SA-12-080	94-821-472-00	355.6	M48 X 5.00	409	1275	1350	1486	296	200	300	39	216.874			
SA-13-080	94-821-473-00	406.4	M56 X 4.00	467	1474	1549	1685	328	200	350	40	326.263			

DIMENSIONS GIVEN IN THIS TABLE FOR 'E', 'F', 'L', 'O', CORRESPOND TO "ZERO" POSITION ON THE TRAVEL SCALE.

OVERALL DIMENSIONS OF VARIABLE SPRING HANGERS

TYPE : SA - ** -- 160

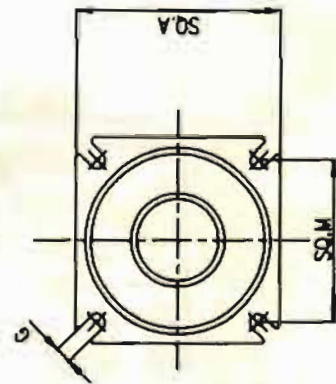
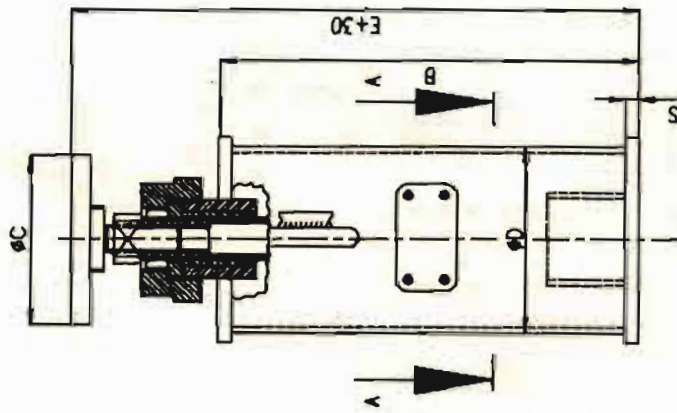
TYPE SPRING	BIN CODE NUMBER	(...HOUSING...) D	B	CONN.TH SIZE:Md	(.....DIMENSIONS.....)	E	L	F	O	A	C	K	S	ASSY. WT (Kg)
SA-01-160	94-821-476-00	113.9	378	M12 X 1.75		133	787	837	908	252	70	100	24	8.594
SA-02-160	94-821-477-00	166.5	370	M12 X 1.75		133	777	827	898	251	70	100	23	14.159
SA-03-160	94-821-478-00	113.9	512	M12 X 1.75		183	971	1021	1092	252	80	150	24	12.270
SA-04-160	94-821-479-00	113.9	546	M12 X 1.75		183	1005	1055	1126	252	80	150	24	14.718
SA-05-160	94-821-480-00	166.5	561	M16 X 2.00		246	1099	1174	1279	269	80	200	23	25.862
SA-06-160	94-821-481-00	166.5	557	M16 X 2.00		246	1094	1169	1274	268	80	200	23	27.656
SA-07-160	94-821-482-00	219.1	564	M20 X 2.50		250	1124	1199	1304	286	90	200	24	47.756
SA-08-160	94-821-483-00	166.5	743	M24 X 3.00		304	1374	1449	1554	301	110	250	25	53.381
SA-09-160	94-821-484-00	219.1	863	M24 X 3.00		304	1490	1565	1670	298	110	250	24	94.440
SA-10-160	94-821-485-00	219.1	916	M30 X 3.50		371	1645	1720	1836	323	130	300	35	124.459
SA-11-160	94-821-486-00	323.9	867	M36 X 4.00		377	1626	1701	1817	349	150	300	33	218.165
SA-12-160	94-821-487-00	355.6	964	M48 X 5.00		409	1805	1880	2016	392	200	300	39	360.558
SA-13-160	94-821-488-00	406.4	1166	M56 X 4.00		467	2097	2172	2308	424	200	350	40	549.462



DIMENSIONS GIVEN IN THIS TABLE FOR 'E', 'F', 'L', 'O', CORRESPOND TO "ZERO" POSITION ON THE TRAVEL SCALE.

OVERALL DIMENSIONS OF VARIABLE SPRING HANGERS
TYPE : SS - ** -- 080

TYPE SPRING	BIN CODE NUMBER	(...HOUSING...) D	B	E	M	A	C	S	G	WEIGHT / ASSY
(.....DIMENSIONS.....)										
SS-01-080	94-821-431-00	113.9	209	411	115	160	110	5	15	6.952
SS-02-080	94-821-432-00	166.5	204	406	160	210	110	5	15	10.936
SS-03-080	94-821-433-00	113.9	276	480	115	160	150	5	15	9.454
SS-04-080	94-821-434-00	113.9	293	497	115	160	150	5	15	10.688
SS-05-080	94-821-435-00	166.5	298	504	160	210	150	5	15	18.817
SS-06-080	94-821-436-00	166.5	298	501	160	210	150	6	15	18.834
SS-07-080	94-821-437-00	219.1	300	511	205	260	200	8	19	33.347
SS-08-080	94-821-438-00	166.5	391	613	160	210	200	10	19	36.076
SS-09-080	94-821-439-00	219.1	452	672	205	260	220	12	23	59.698
SS-10-080	94-821-440-00	219.1	480	704	205	260	220	16	23	73.953
SS-11-080	94-821-441-00	323.9	451	686	295	370	220	16	28	130.916
SS-12-080	94-821-442-00	355.6	499	755	320	400	260	20	28	207.853
SS-13-080	94-821-443-00	406.4	597	882	365	450	290	20	33	313.318

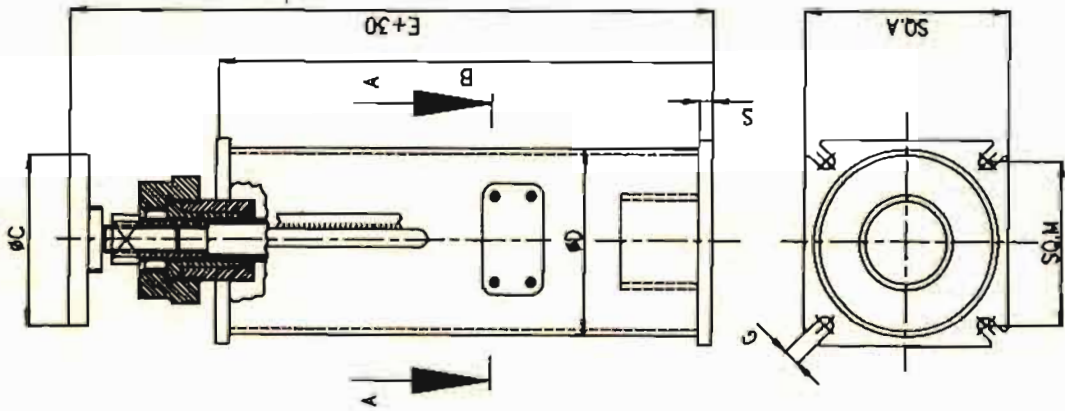


13

DIMENSIONS GIVEN IN THIS TABLE FOR 'E', CORRESPOND TO "ZERO" POSITION ON THE TRAVEL SCALE.

OVERALL DIMENSIONS OF VARIABLE SPRING HANGERS
TYPE : SS - ** -- 160

TYPE SPRING	BIN CODE NUMBER	(...HOUSING...) D	B	E	DIMENSIONS.....)						WEIGHT / ASSY
					M	A	C	S	G		
SS-01-160	94-821-446-00	113.9	383	763	115	160	110	5	15	10.838	
SS-02-160	94-821-447-00	166.5	373	753	160	210	110	5	15	17.269	
SS-03-160	94-821-448-00	113.9	517	899	115	160	150	5	15	15.054	
SS-04-160	94-821-449-00	113.9	551	933	115	160	150	5	15	17.491	
SS-05-160	94-821-450-00	166.5	561	945	160	210	150	5	15	30.184	
SS-06-160	94-821-451-00	166.5	557	938	160	210	150	6	15	30.766	
SS-07-160	94-821-452-00	219.1	559	948	205	260	200	8	19	53.392	
SS-08-160	94-821-453-00	166.5	737	1137	160	210	200	10	19	59.042	
SS-09-160	94-821-454-00	219.1	855	1253	205	260	220	12	23	100.889	
SS-10-160	94-821-455-00	219.1	903	1305	205	260	220	16	23	124.593	
SS-11-160	94-821-456-00	323.9	845	1258	295	370	220	16	28	220.541	
SS-12-160	94-821-457-00	355.6	933	1367	320	400	260	20	28	352.024	
SS-13-160	94-821-458-00	406.4	1124	1571	365	450	290	20	33	533.502	



DIMENSIONS GIVEN IN THIS TABLE FOR 'E', CORRESPOND TO "ZERO" POSITION ON THE TRAVEL SCALE.

ANNEXURE-III

Sample VLH selection sheet

SL NO	VLH SELECTION DATA						DATA TO BE FILLED BY VENDOR			
	MATL CODE	BHEL-SPRING MODEL	QUANTITY	COLD SET LOAD IN KN	VERTICAL MOVEMENT IN MM	HANGER TAG NO	SELECTED SPRING MODEL	SPRING STIFFNESS	COLD POSITION	HOT POSITION
1	P7039180830355	SH-11-160	2.00	28.133	-39	HRH-H54				
2	P7039180830356	SH-11-160	2.00	29.501	-27	CRH-H17				
3	P7039180830357	SH-11-160	1.00	30.355	-39	HRH-H48				
4	P7039180830358	SH-11-160	2.00	31.334	-23	CRH-H09				
5	P7039180830359	SH-11-160	2.00	33.783	23	HRH-H39				
6	P7039180830360	SH-11-160	2.00	38.957	-43	MS-H35				
7	P7039180830361	SH-11-160	2.00	39.23	-22	CRH-H01				
8	P7039180830466	SS-11-080	1.00	35.865	-15	LPBP-H11A				
9	P7039180928079	SH-02-160	20.00	-	-	PUNCH AT SITE				
10	P7039180928080	SH-03-160	6.00	-	-	PUNCH AT SITE				
11	P7039180928278	SA-05-160	2.00	1.937	16	RHSP-H27				
12	P7039180928279	SA-06-160	2.00	3.303	-22	BFR-H11				
13	P7039180928280	SA-06-160	2.00	3.523	-24	BFR-H45				
14	P7039180928287	SA-07-160	2.00	4.362	-24	BFR-H28				
15	P7039180928320	SH-10-160	2.00	26.928	49	BFD-H60				
16	P7039180928322	SH-10-160	1.00	20.751	-12	BFD-H39				
17	P7039180928332	SH-11-160	1.00	42.64	-18	BFD-H66				
18	P7039180930285	SA-02-080	2.00	0.496	-3	CNMU-H01				
19	P7039180930286	SA-02-080	2.00	0.496	-3	CNMU-H04				
20	P7039180930292	SA-07-160	2.00	4.954	-18	EX5-H01				
21	P7039180930307	SH-10-160	2.00	30.469	14	EXD-H16				
22	P7039180930308	SH-10-160	1.00	24.261	27	FTBV-H02				
23	P7039180930356	SS-11-160	4.00	38.67/38.7	-9	BFPTE-H03/09				
24	P7039180930361	SS-04-080	1.00	1.216	-1	LP2V-01				
25	P7039180930362	SS-03-080	1.00	1.01	-1	LP3V-01				
26	P7039180930363	SS-06-080	1.00	2.945	-5	LPHD-H01				

NOTE: WHEREVER COLD SET LOAD AND VERTICAL MOVEMENT ARE NOT INDICATED, SUPPLIER SHALL SELECT EQUIVALENT SPRING BASED ON BHEL STANDARD VLH LOAD RANGE TABLE