

This information on this document is the property of BHARAT HEAVY ELECTRICALS LIMITED. It must not be used directly or indirectly in any way detrimental to the interest of the company

COMP. DRG.



From no.2038

उत्पाद मानक
परिणामित्र

PRODUCT STANDARD
TRANSFORMER

शाप / अभि. निदेश

GUN METAL VALVES

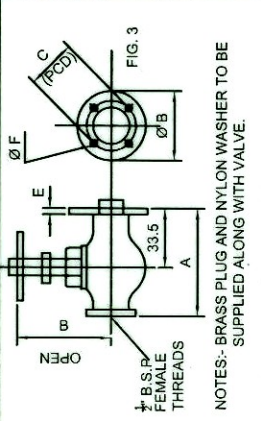
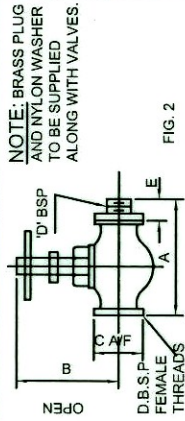
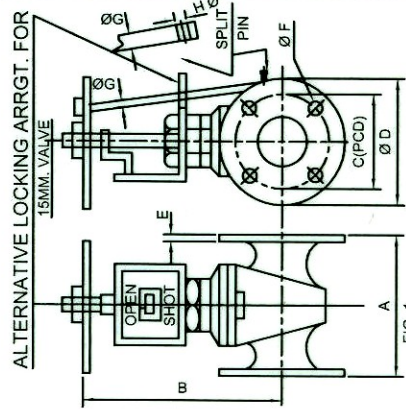
TR 25122 V

2 पृष्ठों में 1

PAGE 1 OF 2

शीर्षक : TITLE : GUN METAL VALVES

APP. ROX WT. IN KG	NO OF HOLES	HOLE ØH IN PIN	ØG	ØF	E +1.5 -0	C ØD PCD ±1	A B ±1.5	MAX DIA OF HAND WHEEL	STYLE & (MAKE) *	NOM SIZE	MAT. TYPE	TYPE	DRG. MODIFIED SP/AGK
1.35	4	6	10	14	6.0	65 95	72 120	60	-	15	GUN METAL	DOUBLE FLANGED GATE VALVE	DRG. NO. 25122V WAS TR 25120 DRG COMPUTERISED & UPDATED
2.55	4	6	10	14	8.0	85 115	90 155	80	-	25	GUN METAL	DOUBLE FLANGED GATE VALVE	DRG. NO. 25122V WAS TR 25120 DRG COMPUTERISED & UPDATED
5.25	4	6	12	14	9.0	100 135	110 200	100	-	40	GUN METAL	DOUBLE FLANGED GATE VALVE	DRG. NO. 25122V WAS TR 25120 DRG COMPUTERISED & UPDATED
8.00	4	6	12	18	11	115 150	120 230	100	-	50	GUN METAL	DOUBLE FLANGED GATE VALVE	DRG. NO. 25122V WAS TR 25120 DRG COMPUTERISED & UPDATED
10.75	4	-	-	18	13.0 MIN.	145 185	150 290 MIN.	135 MIN.	-	80	GUN METAL	DOUBLE FLANGED GATE VALVE	DRG. NO. 25122V WAS TR 25120 DRG COMPUTERISED & UPDATED
20.05	4	-	-	18	16 MIN.	180 215	190 340 MIN.	145 MIN.	-	100	GUN METAL	DOUBLE FLANGED GATE VALVE	DRG. NO. 25122V WAS TR 25120 DRG COMPUTERISED & UPDATED
0.10	-	-	-	-	10	6.35 22	41 50-75	30	-	6	GUN METAL	DOUBLE FLANGED GATE VALVE	DRG. NO. 25122V WAS TR 25120 DRG COMPUTERISED & UPDATED
0.30	-	-	-	-	12	12.70 32	57 75-88	40	-	12	GUN METAL	DOUBLE FLANGED GATE VALVE	DRG. NO. 25122V WAS TR 25120 DRG COMPUTERISED & UPDATED
0.50	-	-	-	-	15	19.05 38	70 80-110	50	-	19	GUN METAL	DOUBLE FLANGED GATE VALVE	DRG. NO. 25122V WAS TR 25120 DRG COMPUTERISED & UPDATED
1.35	4	-	-	14	6.0	65 95	62 75-88	40	-	15	GUN METAL	DOUBLE FLANGED GATE VALVE	DRG. NO. 25122V WAS TR 25120 DRG COMPUTERISED & UPDATED



पुनः Rev. 01 दिनांक: Date 01.01.14
पुनः Rev. 1A दिनांक: Date 29.03.14
02 13/1/17

DRG. MODIFIED SP/AGK
DRG. NO. 25122V WAS TR 25120 DRG COMPUTERISED & UPDATED
Height modified.

विवरण DISTRIBUTION
TRE
TRP
CQX
BAY.8
BAY.9

सं. स्वीकृत किया : APPROVED :
1 जारी किया : ISSUED :
1 टीआरई मानक : TRE/ STD. :
1 तैयार किया: PREPD. :
1 A.K.GUPTA

सं. स्वीकृत किया : APPROVED :
SANJAY PANKAJ
दिनांक: DATE:
12-11-2013

REF. TR20036V



From no.2038

उत्पाद मानक
परिणामित्रPRODUCT STANDARD
TRANSFORMER

TR 25122 V

शाप / अभि. निर्देश SHOP/DO INSTRUCTION

2 पृष्ठों में 2 PAGE 2 OF 2

COMP. DRG.

शीर्षक :
TITLE :

GUN METAL VALVES

NOTES:-

1. VALVES SHALL GENERALLY CONFORM TO CLASS 1 OF I.S. 778-1971 FLANGE DRILLING SHALL BE AS PER IS:3639. - 1966
2. VALVE BODY BONNET, GATE, OPEN & SHUT INDICATOR ETC. SHALL BE MADE FROM GUN METAL GR. LT. B2 CONFORMING IS: 318 -1981 SPINDLE, SPINDLE NUT, GLAND, GLAND NUT ETC. SHALL BE MADE FROM EXTRUDED BRASS ROD TYPE II (HALF HARD) AS PER IS:319. ALTERNATELY STEM SHALL BE MADE FROM STAINLESS STEEL CONFORMING TO Gr 04, Cr18 Ni 10 OF IS 6603 (ASTM A276 GR 30400) GLAND PACKING SHALL BE OF TEFLON ROPES ONLY.
3. HARDWARES & LOCKING ROD SHALL BE ZINC PLATED & PASSIVATED AS PER GR. Fe/Zn12.5 OF IS:1573 1986/ HOT DIP GALVANIZED.
4. HEAT NO. SHALL BE PUNCHED ON EACH VALVE BODY AND CO-RELATED TC FOR G.M. AND TC FOR BRASS BARS (USED FOR MAKING SPINDLE, SPINDLE NUT AND GLAND ETC.) INDICATING CHEMICAL COMPOSITION AND MECHANICAL PROPERTIES SHALL BE FURNISHED FOR EACH LOT.
5. BACK OF FLANGES SHALL BE SPOT FACED / MACHINED FOR PROPER SEATING OF NUTS.
6. ALL VALVES SHALL BE PRESSURE TESTED FOR BODY & SEAT WITH WATER AT 10Kg/CM².
AS SPECIFIED IN IS-778-1971 FOR CLASS 1 VALVES. FURTHER, 10% VALVES SHALL BE SEEPAGE TESTED AT 2 Kg/CM² FOR 24 HOURS WITH AIR, DIPPED IN WATER. AT ROOM TEMP. VALVES SHALL BE TESTED IN OPEN POSITION TO CHECK SEE PAGE FROM SPINDLE, DIPPED IN WATER.
7. MATERIAL OF HAND WHEEL SHALL BE CAST IRON/BRASS / ALUMINIUM/STAINLESS STEEL OR BETTER.

COPYRIGHT AND CONFIDENTIAL

used directly or in directly in any was detrimental to the company
This information on this document is the property of BHARAT HEAVY ELECTRICALS LIMITED. It must not be
used directly or directly in any was detrimental to the interest of the company

TR 25122 V

PAGE 2 OF 2

पुनः Rev. 01 दिनांक: Date 01.01.14		विवरण DISTRIBUTION	सां.	स्वीकृत किया : APPROVED : SANJAY PANKAJ	
पुनः Rev. 1A दिनांक: Date 29.03.14		TRE/TRM FBM/TCX<TR> TTG/QC/QA JHANSI		जारी किया : ISSUED : टीआरई मानक : TRE/STD. :	दिनांक: DATE: 12-11-2013
02 13/1/17				तैयार किया: PREPD. : A.K.GUPTA	

TR 25122 V