



COMPONENT  
FABRICATION  
PLANT

SPECIAL CONDITIONS  
OF CONTRACT (SCC)  
Revision No. 00  
(For Supply of Split Pin )

ABBREVIATIONS  
Issued on 10.05.2022

## SPECIAL CONDITIONS OF CONTRACT

### 1) Delivery Term:

- Material shall be supplied to BHEL Rudrapur, rates shall be quoted FOR BHEL RUDRAPUR basis including transit insurance and freight charges.  
(Address: CFP-BHEL Rudrapur, Kichha Bye Pass Road, Near FCI Godown, U.S. Nagar, Uttarakhand-263153).
- Rates shall be firm until completion of supply.

### 2) Delivery Period:

- Delivery shall be **within 30 days** from PO date.
- In case of any deviation to delivery schedule mentioned above, loading @0.5% per week, max. 10% shall be imposed on quoted price for comparing L-1 standing.

### 3) Liquidated Damage:

- In case of delay in delivery, a penalty of 0.5% per week, maximum up to 10% of total order value including PVC on delayed portion shall be applicable. In case of quoting any deviation from the above LD clause, the offer shall be loaded in comparison statement for un-accepted portion of LD, maximum up to 10% of basic value.

### 4) Payment Terms:

- 100% within 45 days after receipt subject to receipt and acceptance. Any deviation in the above payment term will attract loading at the rate of "[Base rate i.e. Prime Lending Rate of State Bank of India (as applicable on the date of techno-commercial bids opening) + 6%]" for the period of relaxation sought by bidders.

### 5) Validity of Offer:

- Validity of offer shall be **90 days** from tender opening date.

### 6) Other Terms:

- Tender shall be awarded to techno-commercially qualified bidder who quotes lowest landed rate in price bid/finance bid.
- Item should be inline as per attached drawing RST0435.
- Inspection of material after receipt shall be carried out by BHEL at BHEL premises.
- Taxes & Duties etc. shall be payable extra at actuals.
- Bidders to submit signed and sealed copy of all attached NIT documents and Standards as a proof of acceptance.
- All deviations against technical/commercial terms must be mentioned in a separate "Deviation List". Any hidden condition/deviation mentioned elsewhere other than Deviation List will not be considered valid.
- No separate technical offer submitted by bidder shall be acceptable. Only techno-commercial offer/documents given in tender on NIC portal shall be acceptable.
- Bid Evaluation will be over all basis.



**COMPONENT  
FABRICATION  
PLANT**

**SPECIAL CONDITIONS  
OF CONTRACT (SCC)**

**Revision No. 00  
(For Supply of Split Pin )**

**ABBREVIATIONS**

Issued on 10.05.2022

Bidder to submit signed and stamped copy of all attached TENDER DOCUMENTS as a proof of acceptance of technical terms.

**(BHEL RUDRAPUR)**

## Commercial (Tax) Sheet

(To be filled by the BIDDER and send along with Techno-Commercial (unpriced) Bid Document)

**TENDER ENQUIRY No 202106341: Supply of MS SPLIT PIN  
FINISH ZPP YELLOW (MIN 13 MICRON ) to BHEL RUDRAPUR**

Name of Bidder.....

SL NO	MATE CODE	ITEM	QTY (Nos.)	APPLICABLE GST PERCENTAGE (%)
1	RU9003312079	SUPPLY OF MILD STEEL SPLIT PIN FINISH ZPP YELLOW (MIN 13 MICRON ) TYPES OF ENDS EXTENDED PRONG SPEC: IS-549 as per attached drg no RST0435	60000	

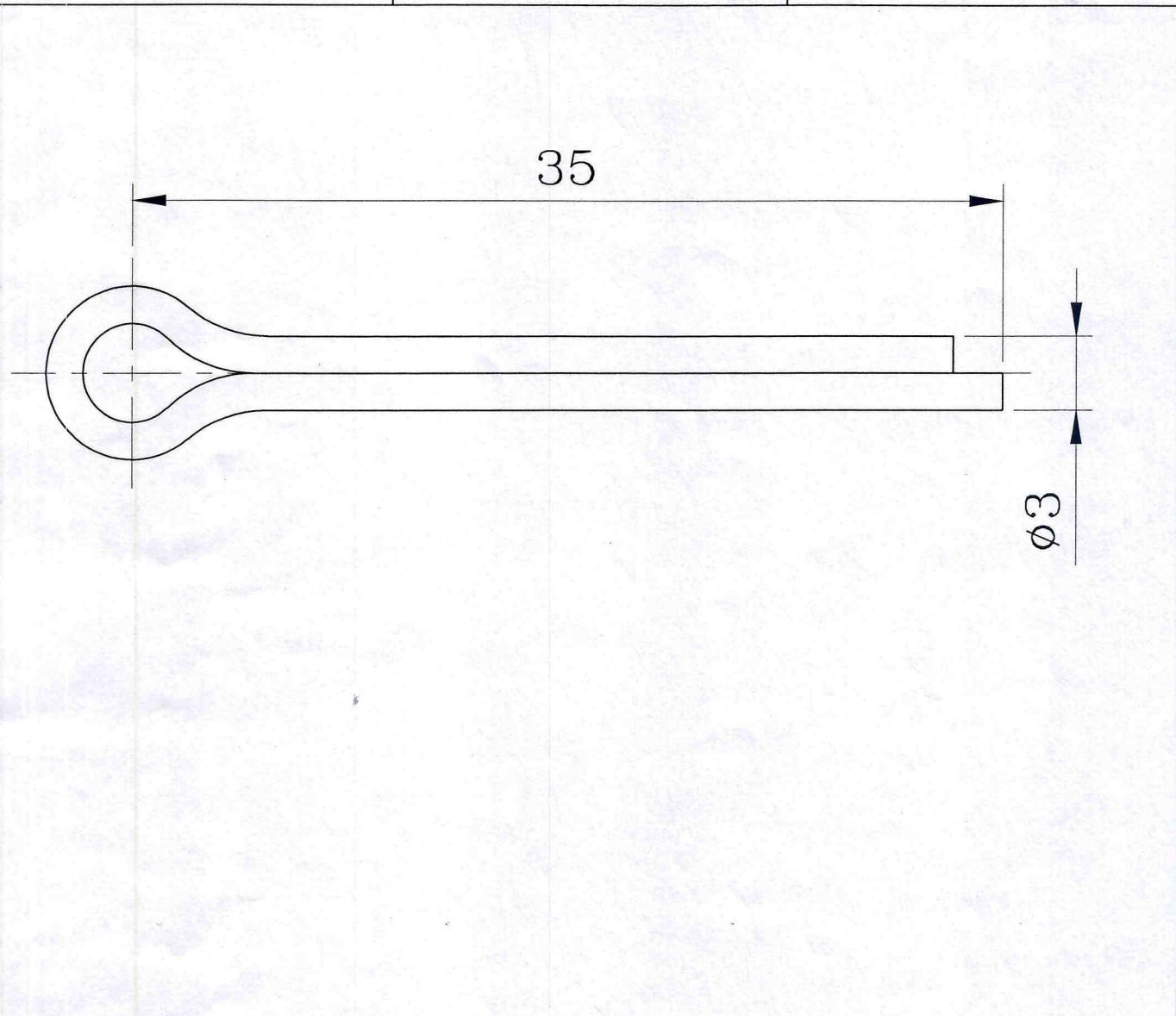
Note: - **Do not** mention price of item in this sheet else offer will be rejected summarily. ✓

Sign & Seal of Bidder

1			2			3		
REV.	DATE	ALTERD	REV.	DATE	ALTERD	REV.	DATE	ALTERD
		CHECKED			CHECKED			CHECKED

ALL DIMENSIONS IN MM.

COPYRIGHT & CONFIDENTIAL: THE INFORMATION ON THIS DOCUMENT IS THE PROPERTY OF BHARAT HEAVY ELECTRICALS LIMITED. IT MUST NOT BE USED DIRECTLY OR INDIRECTLY IN ANY DETERIMENTAL TO THE INTEREST OF THE COMPANY.



RST0435	STEEL SPLIT PIN $\phi 3 \times 35$ LG FINISH: ZPP (MINIMUM 13 MICRON)	STEEL (AA10108)	0.00888
IDENTIFICATION NO.	DESCRIPTION	MATL.SPCN.	WEIGHT (KG)

	BHARAT HEAVY ELECTRICALS LIMITED RUDRAPUR		NAME	SIGN.	DATE	NO. OF VAR.	
			DRN.	VISHAL	06.03.12		
			CKD.	VISHAL	06.03.12		
DEPTT. BDE	UNTOL.DIM.GR. C/M/F		SCALE --	WEIGHT-KG --	REF.TO ASSY.DRG.	IT.NO.	NO.OF ITEM
TITLE SPLIT PIN $\phi 3 \times 35$ LG					DRAWING NO. RST0435		REV. 00
SHEET NO.- 01			NO.OF SHEETS- 01		SIZE- A4		