



भारत हेवी इलेक्ट्रिकल्स लिमिटेड

(भारत सरकार का उपक्रम)

BHARAT HEAVY ELECTRICALS LIMITED

(A Govt. of India Undertaking)

TCN - 07

Ref: PSER: SCT:KLN-C-1912:18:TCN-07

Date: 21-09-2018

Sub	Tender Change Notice (TCN)- 07	
Job	PACKAGE 14: CIVIL, STRUCTURAL & ARCHITECTURAL WORKS FOR CHP ,AHP & MISC.WORK FOR 2X660 MW MAITREE RAMPAL PROJECT, BANGLADESH.	
Ref	1.0	Tender no: PSER:SCT:KLN-C1912:18.
	2.0	BHEL's NIT, vide reference no: PSER:SCT:KLN-C1912:6961, Date: 24-07-2018.
	3.0	BHEL's TCN-01, vide reference no: PSER:SCT:KLN-C-1912:18:TCN-01, Date: 14-08-2018.
	4.0	BHEL's TCN-02, vide reference no: PSER: SCT:KLN-C-1912:18:TCN-02, Date: 18-08-2018.
	5.0	BHEL's TCN-03, vide reference no: PSER: SCT:KLN-C-1912:18:TCN-03, Date: 23-08-2018.
	6.0	BHEL's TCN-04, vide reference no: PSER: SCT:KLN-C-1912:18:TCN-04, Date: 31-08-2018.
	7.0	BHEL's TCN-05, vide reference no: PSER: SCT:KLN-C-1912:18:TCN-05, Date: 04-09-2018.
	8.0	BHEL's TCN-06, vide reference no: PSER: SCT:KLN-C-1912:18:TCN-06, Date: 10-09-2018.
	9.0	Other References, if any.

With reference to above, following points/documents, relevant to tender, may please be noted and complied with while submitting the offer.

1. Clarification to bidder's queries as per attached Annexure-A. Planning drawing no. IS-1-GA-702-101-M004, and IS -1-GA-702-302-M051 enclosed with the TCN-07.
2. Revised 'No deviation certificate' is attached. Bidder to submit 'No deviation certificate' as per attached format only.
3. All other terms & conditions shall remain unchanged.

Thanking you,

Yours faithfully,
for BHARAT HEAVY ELECTRICALS LTD

Dy. Manager (SCT)

Encl: As Above.

पावर सेक्टर पूर्वी क्षेत्र (मुख्यालय)

POWER SECTOR EASTERN REGION, DJ-9/1, SALT LAKE CITY, KOLKATA - 700 091

फैक्स/Fax : (033) 23211960 फोन/Phone : बोर्ड/EPABX : (033) 2339 8000

ANNEXURE-A TO TCN-07

JOB: PACKAGE 14: CIVIL, STRUCTURAL & ARCHITECTURAL WORKS FOR CHP, AHP & MISC.WORK FOR 2X660 MW MAITREE RAMPAL PROJECT, BANGLADESH.

Sub: Clarification to bidder's queries

Ref.: NIT/Tender Specification No: PSER: SCT: KLN-C1912:18

Sl. No.	Reference clause of tender document	Existing provision	Bidder's query	BHEL's clarification
1	BOQ item no: ISG 1840	Providing, loading, transporting, unloading and laying & compaction of 300 mm thick minor quality coal in stock pile area.	1. Has the bidder to supply coal for this item? 2. What is the grade of coal, in case it is in Bidder's scope? 3. Is Customs duty applicable for this item and for other supply items, if imported.	1. Contractor's scope Coal having ash content more than 60% and GCV (Gross calorific value) of 1300 to 2400 Kcal/kg 2. IMPORT DUTY SHALL BE AS PER SRO 73 DTD. 19-03-1997
2	BOQ item no: ISG 1841	Providing & laying granular sub-base in layers of required thickness with crushed rock or other approved local material like brick metal, stone screening & blinding material including screening, sorting, spreading to template including carriage, spreading & consolidation of blinding material etc all complete as per specification.	1. What is the grade mix proportion for sub base for brick metal, sand & crushed rock?	This layer is for drainage purpose, hence material with 63 mm to 45 mm to be used.
3	BOQ item no: 2401A	Preparation of sub grade by excavating earth to required depth for all types of soil/ rock, dressing to camber and compacting the base (top layer of minimum 500 mm thickness) to 85% relative density (ASTM D-4253 and D-4254) for free draining soils containing less than 15% by weight finer than 75 micron sieve non plastic material' or '98% of the maximum density as determined by ASTM D-1557 for soils containing more than 15% material passing the 75 micron sieve' including making good the undulation etc and disposal of surplus earth within a lead upto 1 km etc. all complete.	1. Is this item restricted to excavation & dressing for preparation of sub grade or does it also include sub grade material supply for base.	Item restricted to excavation & dressing for preparation of sub grade

ANNEXURE-A TO TCN-07

JOB: PACKAGE 14: CIVIL, STRUCTURAL & ARCHITECTURAL WORKS FOR CHP, AHP & MISC.WORK FOR 2X660 MW MAITREE RAMPAL PROJECT, BANGLADESH.

Sub: Clarification to bidder's queries

Ref.: NIT/Tender Specification No: PSER: SCT: KLN-C1912:18

Sl. No.	Reference clause of tender document	Existing provision	Bidder's query	BHEL's clarification
4	BOQ item no: 2404A	Providing & laying granular sub-base in layers of required thickness with crushed rock or other approved local material like brick metal, stone screening & blinding material including screening, sorting, spreading to template & consolidation with road roller including carriage, spreading & consolidation of blinding material etc all complete as per specification.	What is the grade mix proportion for sub base for brick metal, sand & crushed rock?	Refer Volume-IIB – Sec-D, Sub Section –D-16, Clause 3.07.07
5	General Query	All imported supply items that attract customs duty.	Is the Customs duty applicable or is Customs duty free for this project?	IMPORT DUTY SHALL BE AS PER SRO 73 DTD. 19-03-1997
6	BOQ, item No-S3001, S3002 & 3003	Total lumpsum price for Supply Part of "Solid waste Management Plant"..... placement of Order.	As this is a very specialised work. Hence, you are requested to provide the details of Vendor's/ Parties name and contract details with specifications.	You may visit in Local Municipality/ Corporation office in Bangladesh for gathering the information of vendor for Solid waste management plant.
7	BOQ, item No-ISG 1840	Providing, loading, transporting, unloading and laying & compaction of 300 mm thick minor quality coal in stock pile area.	Please provide the vendors/ suppliers name with contact details.	Coal having ash content more than 60% and GCV(Gross calorific value) of 1300 to 2400 Kcal/kg
8	NIT	Last date of submission of Bid is 31st August, 2018, Time :15.00 Hrs	As the work involves bought out items and specialized agencies. To quote our best competitive bid we need to get the competitive rate from vendors & Agencies we need some more times. Considering the above, we earnestly request you to extend the last date of submission of Bid for a minimum of 10 days.	DDS has been extended up to 22.09.2018

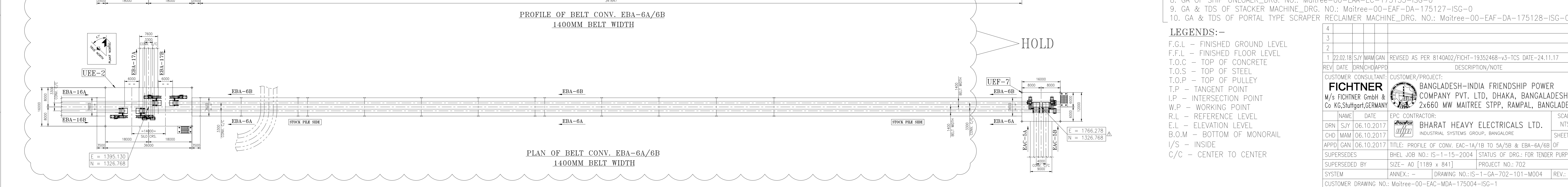
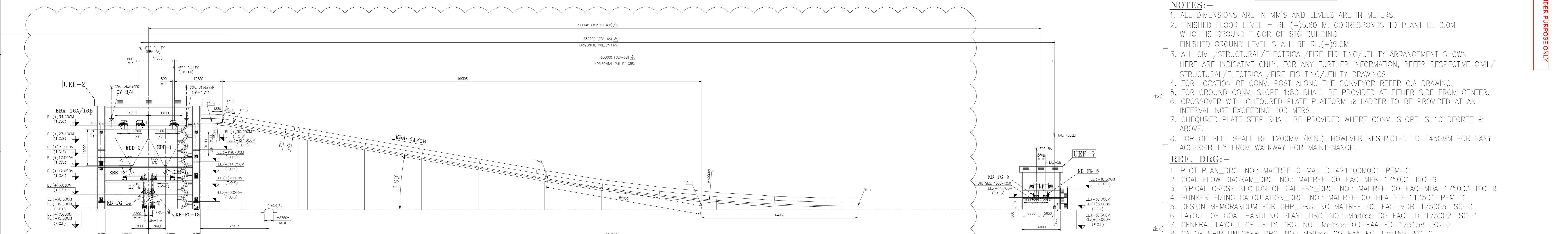
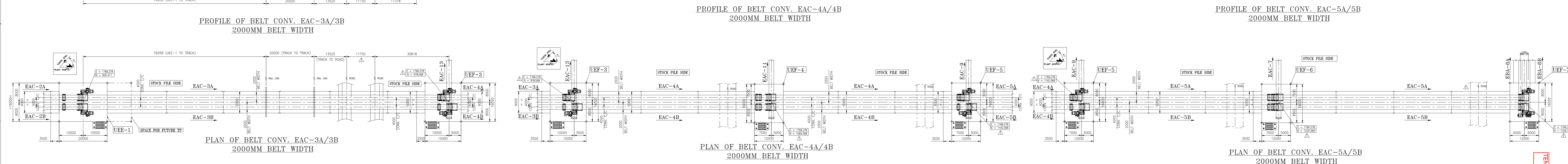
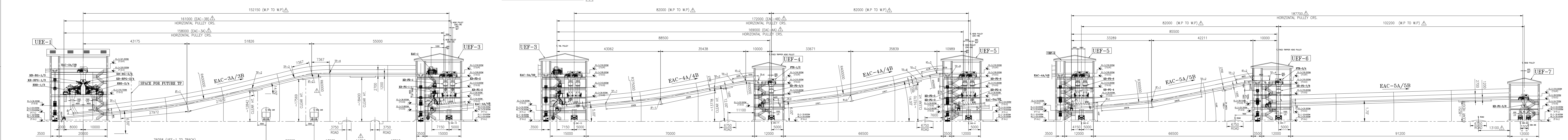
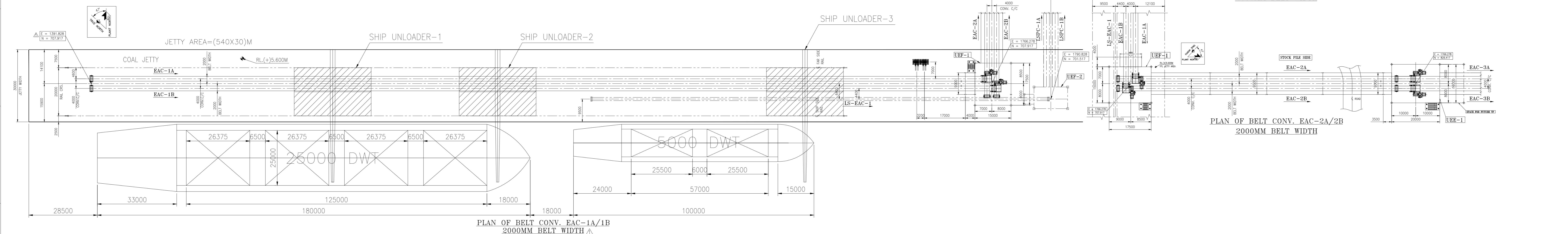
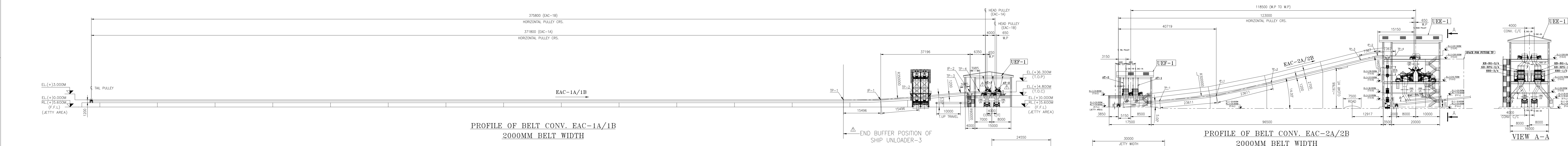
ANNEXURE-A TO TCN-07

JOB: PACKAGE 14: CIVIL, STRUCTURAL & ARCHITECTURAL WORKS FOR CHP, AHP & MISC.WORK FOR 2X660 MW MAITREE RAMPAL PROJECT, BANGLADESH.

Sub: Clarification to bidder's queries

Ref.: NIT/Tender Specification No: PSER: SCT: KLN-C1912:18

Sl. No.	Reference clause of tender document	Existing provision	Bidder's query	BHEL's clarification
9	General		kindly provide us some reference structural drawings (Plan, elevation, floors) related to the Coal Handling Plant package; mainly for high structures like Transfer points, Crusher House, Gallery, silo etc. for our cost assessment.	Planning drawing IS-1-GA-702-101-M004, Sheet 1, 2 & 3 and IS -1-GA-702-302-M051, Sheet 1 of 5, Sheet 2 of 5, Sheet 3 of 5 are attached with this TCN



NOTES:-

- ALL DIMENSIONS ARE IN MM'S AND LEVELS ARE IN METERS.
- FINISHED FLOOR LEVEL = RL (+)5.60 M, CORRESPONDS TO PLANT EL 0.0M WHICH IS GROUND FLOOR OF STG BUILDING.
FINISHED GROUND LEVEL SHALL BE RL (+)5.0M
- ALL CIVIL/STRUCTURAL/ELECTRICAL/FIRE FIGHTING/UTILITY ARRANGEMENT SHOWN HERE ARE INDICATIVE ONLY. FOR ANY FURTHER INFORMATION, REFER RESPECTIVE CIVIL/STRUCTURAL/ELECTRICAL/FIRE FIGHTING/UTILITY DRAWINGS.
- FOR LOCATION OF CONV. POST ALONG THE CONVEYOR REFER G.A DRAWING.
- FOR GROUND CONV. SLOPE 1:80 SHALL BE PROVIDED AT EITHER SIDE FROM CENTER.
- CROSSOVER WITH CHEQURED PLATE PLATFORM & LADDER TO BE PROVIDED AT AN INTERVAL NOT EXCEEDING 100 MTRS.
- CHEQURED PLATE STEP SHALL BE PROVIDED WHERE CONV. SLOPE IS 10 DEGREE & ABOVE.
- TOP OF BELT SHALL BE 1200MM (MIN.), HOWEVER RESTRICTED TO 1450MM FOR EASY ACCESSIBILITY FROM WALKWAY FOR MAINTENANCE.

REF. DRG:-

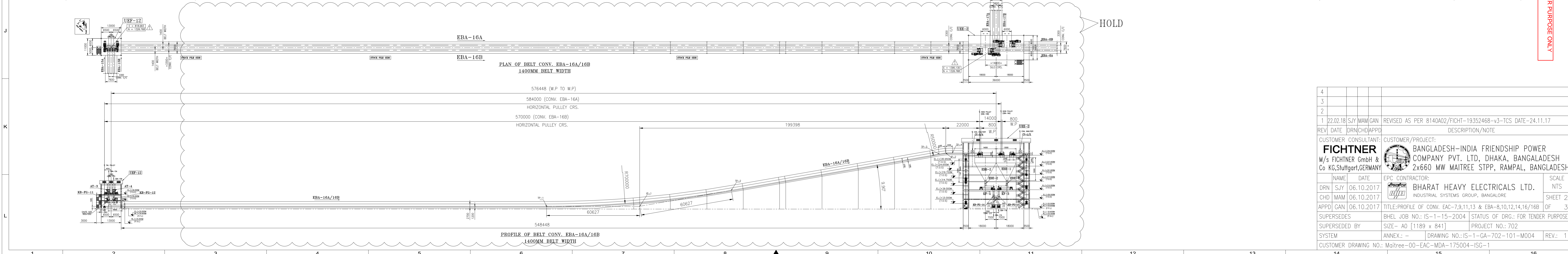
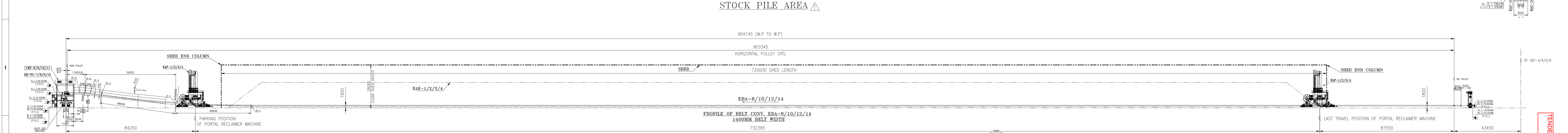
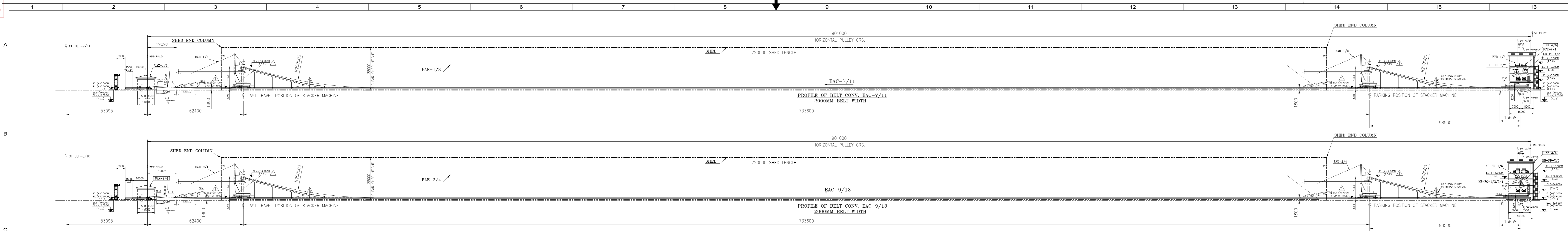
- PLOT PLAN_DRG. NO.: MAITREE-00-MA-LD-421100M001-PEM-C
- COAL FLOW DIAGRAM_DRG. NO.: MAITREE-00-EAC-MFB-175001-1SG-6
- TYPICAL CROSS SECTION OF GALLERY_DRG. NO.: MAITREE-00-EAC-MDA-175003-1SG-8
- BUNKER SIZING CALCULATION_DRG. NO.: MAITREE-00-HFA-ED-113501-PEM-3
- DESIGN MEMORANDUM FOR CHP_DRG. NO.: MAITREE-00-EAC-MDB-175005-1SG-3
- LAYOUT OF COAL HANDLING PLANT_DRG. NO.: MAITREE-00-EAC-LD-175002-1SG-1
- GENERAL LAYOUT OF JETTY_DRG. NO.: MAITREE-00-EAA-ED-175158-1SG-2
- GA OF SHIP UNLOADER_DRG. NO.: MAITREE-00-EAA-EC-175155-1SG-0
- GA & TDS OF STACKER MACHINE_DRG. NO.: MAITREE-00-EAF-DA-175127-1SG-0
- GA & TDS OF PORTAL TYPE SCRAPER RECLAIMER MACHINE_DRG. NO.: MAITREE-00-EAF-DA-175128-1SG-0

LEGENDS:-

F.G.L - FINISHED GROUND LEVEL
 F.F.L - FINISHED FLOOR LEVEL
 T.O.C - TOP OF CONCRETE
 T.O.S - TOP OF STEEL
 T.O.P - TOP OF PULLEY
 T.P - TANGENT POINT
 I.P - INTERSECTION POINT
 W.P - WORKING POINT
 R.L - REFERENCE LEVEL
 E.L - ELEVATION LEVEL
 B.O.M - BOTTOM OF MONORAIL
 I/S - INSIDE
 C/C - CENTER TO CENTER

TENDER PURPOSE ONLY

4			
3			
2			
1	22.02.18	S/J MAM/GAN	REVISED AS PER 814042/FICHT-19352468-v3-TCS DATE-24.11.17
			REV DATE DRN/CHD/APPD DESCRIPTION/NOTE
CUSTOMER CONSULTANT: CUSTOMER/PROJECT:			
FICHTNER M/s FICHTNER GmbH & Co KG, Stuttgart, GERMANY		BANGLADESH-INDIA FRIENDSHIP POWER COMPANY PVT. LTD, DHAKA, BANGLADESH 2x660 MW MAITREE STPP, RAMPAL, BANGLADESH	
DRN	S/J	06.10.2017	EPC CONTRACTOR: BHARAT HEAVY ELECTRICALS LTD. SCALE: NTS
CHD	MAM	06.10.2017	INDUSTRIAL SYSTEMS GROUP, BANGALORE. SHEET 1
APPD	GAN	06.10.2017	TITLE: PROFILE OF CONV. EAC-1A/1B TO 5A/5B & EBA-6A/6B OF 3
SUPERSEDED	BHEL	JOB NO.: IS-1-15-2004	STATUS OF DRG.: FOR TENDER PURPOSE
SUPERSEDED BY	SIZE	A0 (1189 x 841)	PROJECT NO.: 702
SYSTEM	ANNEX:-	DRAWING NO.: IS-1-GA-702-101-M004	REV.: 1
CUSTOMER DRAWING NO.: MAITREE-00-EAC-MDA-175004-1SG-1			



NO.	DATE	DESCRIPTION/NOTE
1	22.02.18	S/J MAM/GAN REVISED AS PER 8140A02/FICHT-19352468-v3-TCS DATE-24.11.17
2	06.10.2017	INDUSTRIAL SYSTEMS GROUP, BANGALORE
3	06.10.2017	INDUSTRIAL SYSTEMS GROUP, BANGALORE
4	06.10.2017	INDUSTRIAL SYSTEMS GROUP, BANGALORE

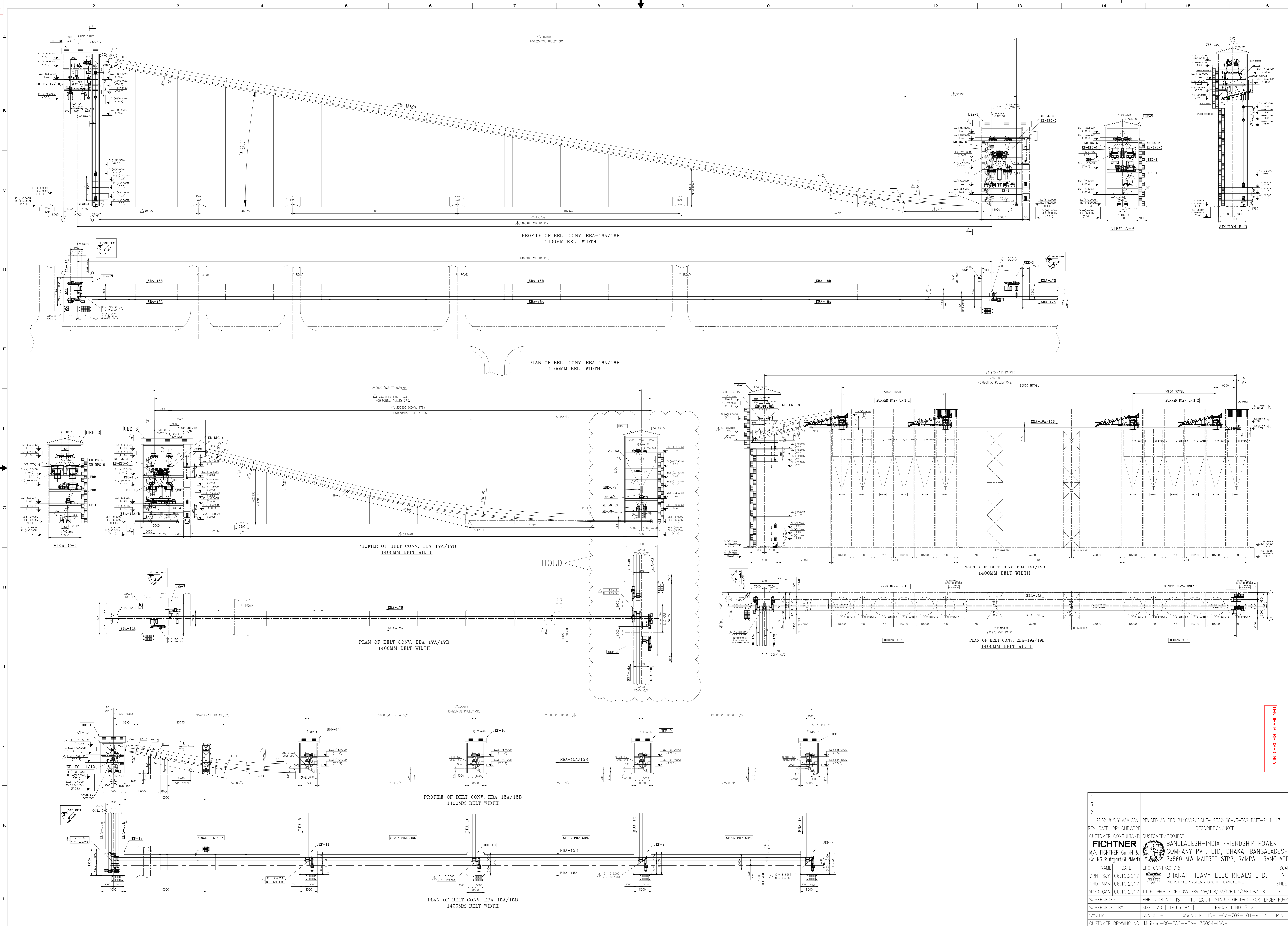
NAME	DATE	SCALE
DRN	S/J	06.10.2017
CHD	MAM	06.10.2017
APPD	CAN	06.10.2017

CUSTOMER CONSULTANT:	CUSTOMER/PROJECT:
M/s FICHTNER GmbH & Co KG, Stuttgart, GERMANY	BANGLADESH-INDIA FRIENDSHIP POWER COMPANY PVT. LTD, DHAKA, BANGLADESH
	2x660 MW MAITREE STPP, RAMPAL, BANGLADESH

SYSTEM	ANNEX:-	DRAWING NO.:	PROJECT NO.:
	IS-1-15-2004-101-M004	19352468-v3	702

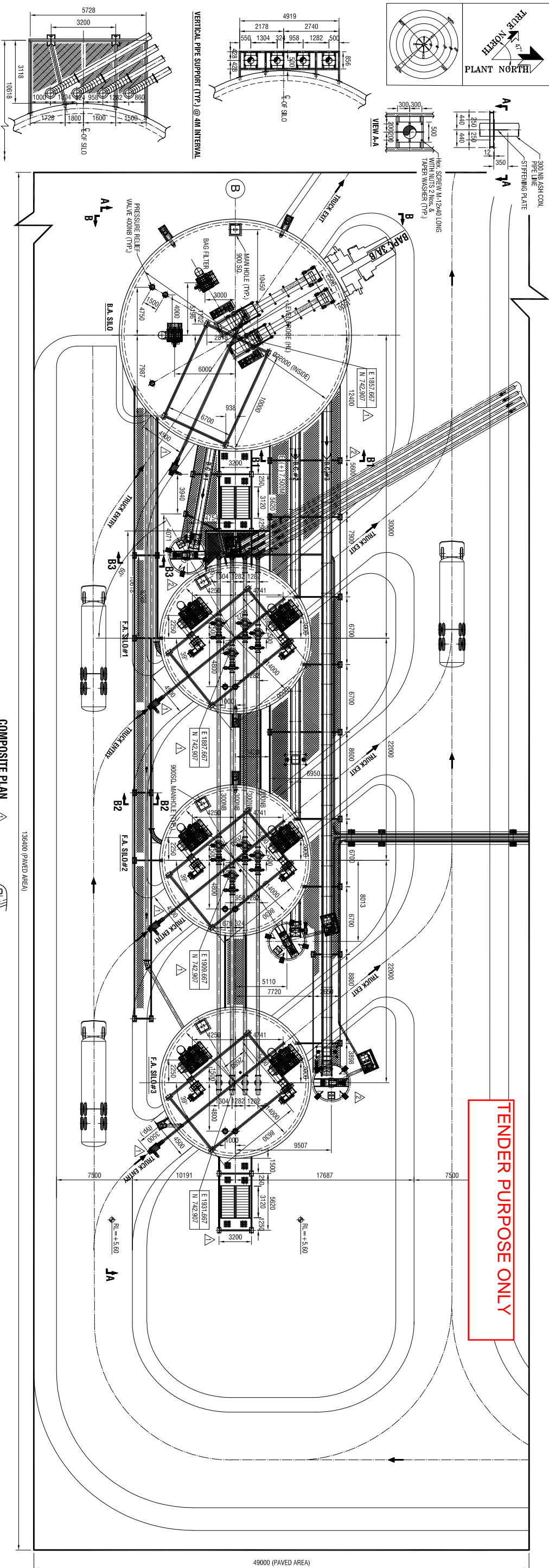
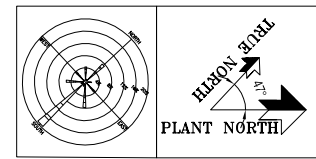
CUSTOMER DRAWING NO.:	REVISION
Maitree-00-EAC-MDA-175004-1SG-1	REV: 1

FOR TENDER PURPOSE ONLY



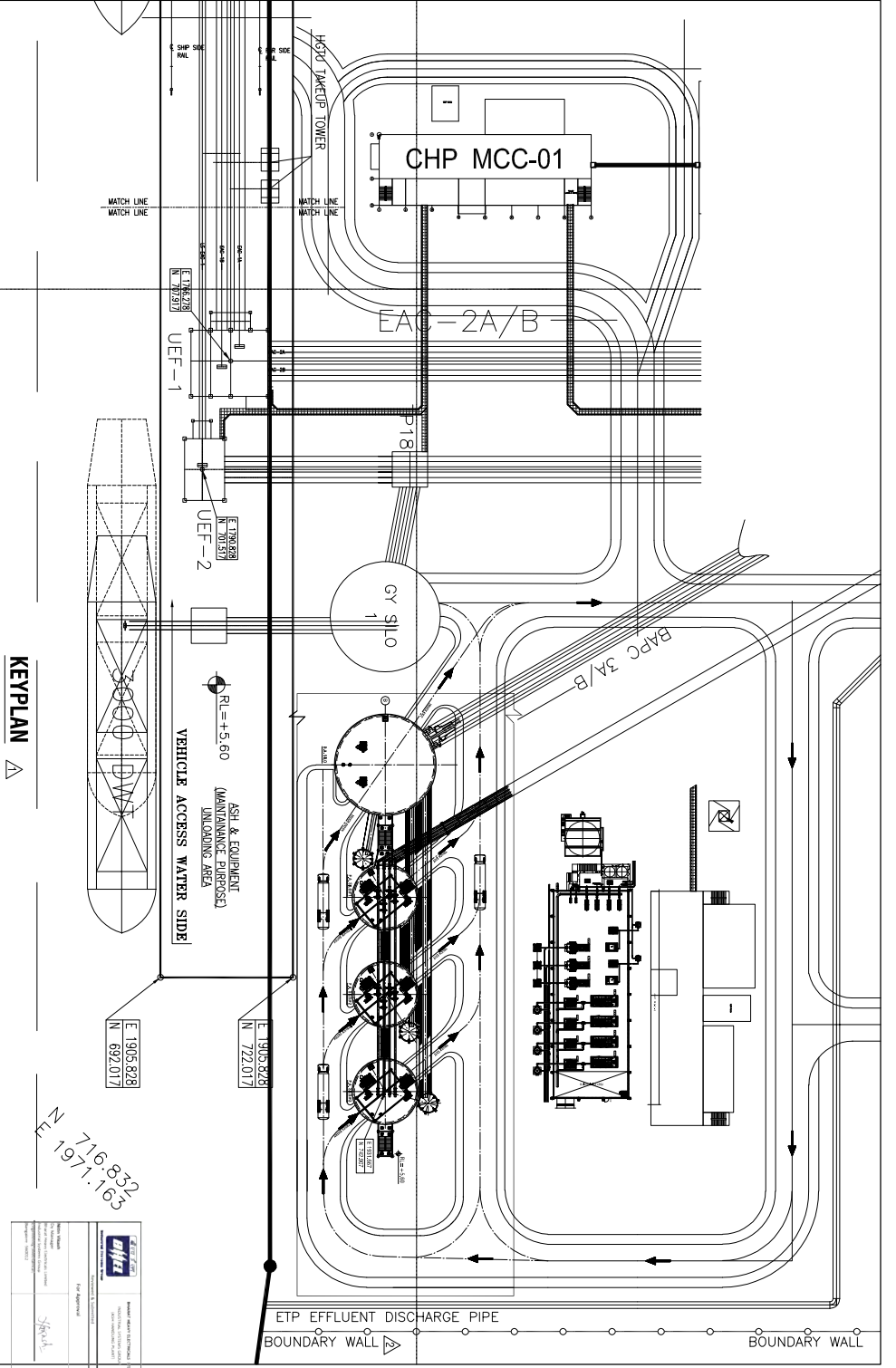
4					
3					
2					
1	22.02.18	S/J	MAM/GAN	REVISED AS PER 8140A02/FICHT-19352468-v3-TCS	DATE-24.11.17
REV	DATE	DRN/CHD/APPD		DESCRIPTION/NOTE	
CUSTOMER CONSULTANT:	CUSTOMER/PROJECT:				
FICHTNER	BANGLADESH-INDIA FRIENDSHIP POWER				
M/s FICHTNER GmbH & Co KG, Stuttgart, GERMANY	COMPANY PVT. LTD, DHAKA, BANGLADESH				
	2x660 MW MAITREE STPP, RAMPAL, BANGLADESH				
NAME	DATE	EPC CONTRACTOR:	SCALE		
DRN	S/J	06.10.2017	BHARAT HEAVY ELECTRICALS LTD.		
CHD	MAM	06.10.2017	INDUSTRIAL SYSTEMS GROUP, BANGALORE		
APPD	CAN	06.10.2017	TITLE:	PROFILE OF CONV. EBA-15A/15B,17A/17B,18A/18B,19A/19B	SHEET 3
SUPERSEDED BY	BHEL JOB NO: IS-1-15-2004		STATUS OF DRG:	FOR TENDER PURPOSE	OF 3
SUPERSEDED BY	SIZE	A0 (1189 x 841)	PROJECT NO:	702	
SYSTEM	ANNEX:		DRAWING NO:	IS-1-CA-702-101-M004	REV: 1
CUSTOMER DRAWING NO.:	Maitree-00-EAC-MDA-175004-1SG-1				

TENDER PURPOSE ONLY



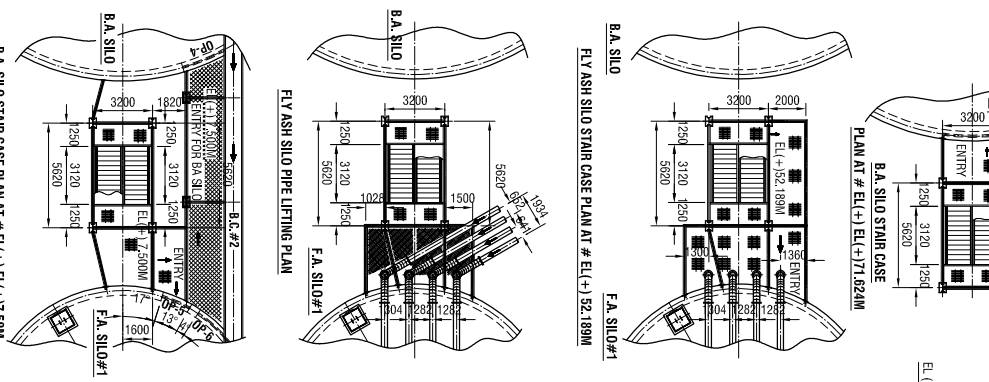
MAINTENANCE PLATFORM AT PIPE VERTICAL LIFT

COMPOSITE PLAN



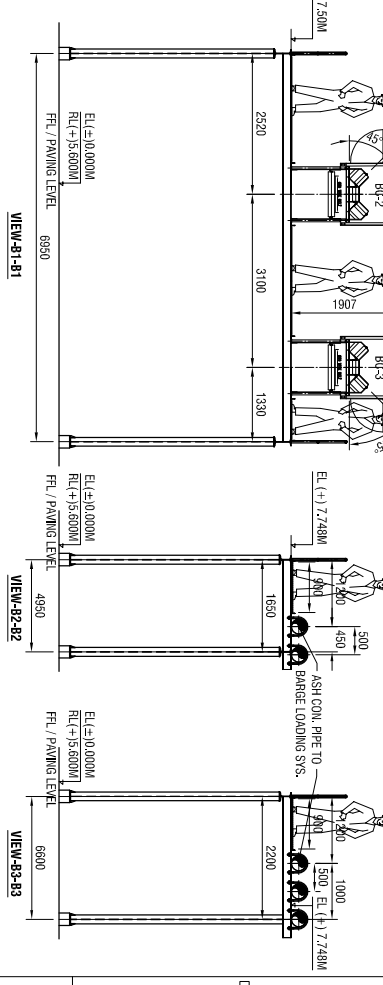
KEY PLAN

716-832
1971-163



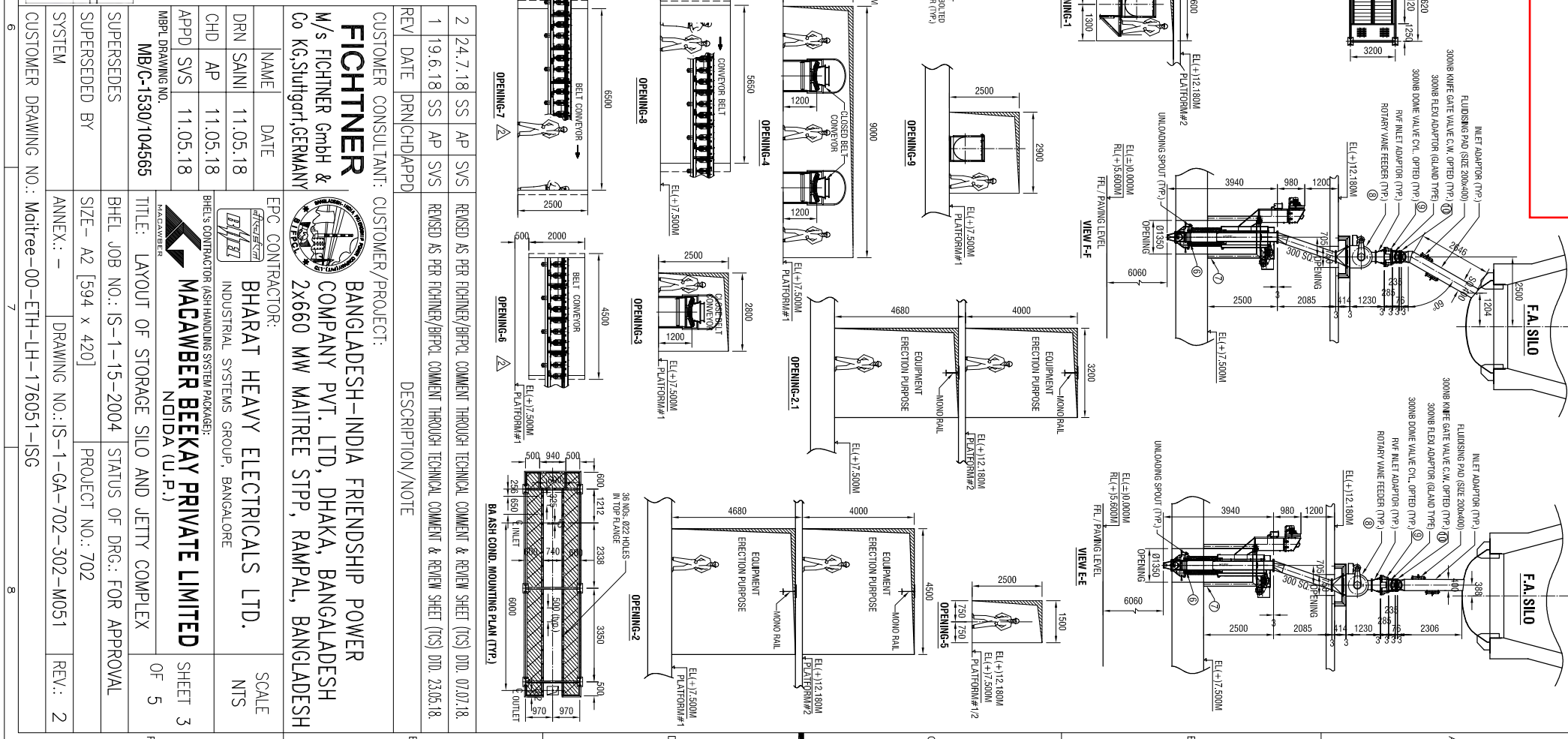
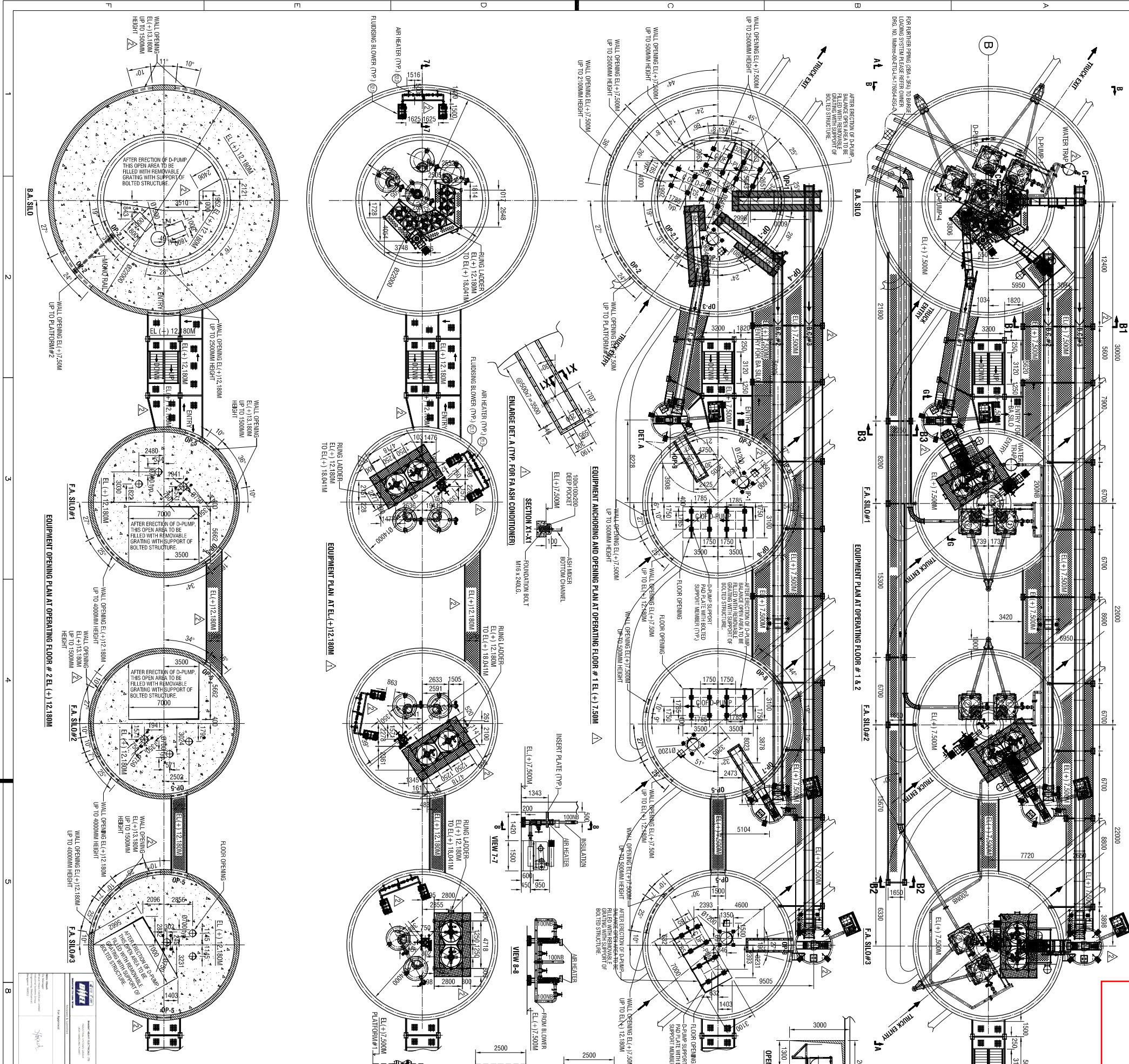
REV	DATE	DRN/CHD/APPD	DESCRIPTION/NOTE
2	24.7.18	SS AP S/S	REVISED AS PER FICHTNER/BRPL COMMENT THROUGH TECHNICAL COMMENT & REVIEW SHEET (TCS) DTD. 07.07.18.
1	19.6.18	SS AP S/S	REVISED AS PER FICHTNER/BRPL COMMENT THROUGH TECHNICAL COMMENT & REVIEW SHEET (TCS) DTD. 23.05.18.

CUSTOMER CONSULTANT: FICHTNER		CUSTOMER/PROJECT: BANGLADESH-INDIA FRIENDSHIP POWER COMPANY PVT. LTD, DHAKA, BANGLADESH	
M/s FICHTNER GmbH & Co KG, Stuttgart, GERMANY		2x660 MW MATREE STPP, RAMPAL, BANGLADESH	
EPC CONTRACTOR: BHARAT HEAVY ELECTRICALS LTD.		SCALE: NTS	
INDUSTRIAL SYSTEMS GROUP, BANGALORE		SHEET 1 OF 5	
MACAWBER BEEKAY PRIVATE LIMITED		PROJECT NO.: 702	
NOIDA (U.P.)		STATUS OF DRG.: FOR APPROVAL	
TITLE: LAYOUT OF STORAGE SILO AND JETTY COMPLEX		PROJECT NO.: 702	
BHEL'S CONTRACTOR FASH HANDLING SYSTEM PACKAGE:		DRAWING NO.: IS-1-GA-702-302-M051	
MBPL DRAWING NO. MB/C-1530/104565		ANNEX.: -	
SUPERSEDES BY		REV.: 2	
SYSTEM		CUSTOMER DRAWING NO.: Matree-00-ETH-LH-176051-1SG	



TENDER PURPOSE ONLY

TENDER PURPOSE ONLY



2	24.7.18	SS	AP	SYS	REVISED AS PER FICHTNER/BRPL COMMENT THROUGH TECHNICAL COMMENT & REVIEW SHEET (TSS) DTD. 07.07.18.
1	19.6.18	SS	AP	SYS	REVISED AS PER FICHTNER/BRPL COMMENT THROUGH TECHNICAL COMMENT & REVIEW SHEET (TSS) DTD. 23.05.18.

REV DATE DRN/CHD/APPD DESCRIPTION/NOTE

CUSTOMER CONSULTANT: FICHTNER
 CUSTOMER/PROJECT: BANGLADESH-INDIA FRIENDSHIP POWER COMPANY PVT. LTD, DHAKA, BANGLADESH
 M/s FICHTNER GmbH & Co KG, Stuttgart, GERMANY 2x660 MW MATREE STPP, RAMPAL, BANGLADESH

EPC CONTRACTOR: BHARAT HEAVY ELECTRICALS LTD.
 INDUSTRIAL SYSTEMS GROUP, BANGALORE

SCALE: NTS

INDUSTRIAL CONTRACTOR: MACAWBER BEEKAY PRIVATE LIMITED
 NOIDA (U.P.)

TITLE: LAYOUT OF STORAGE SILO AND JETTY COMPLEX

DRN NO.: IS-1-15-2004 STATUS OF DRG.: FOR APPROVAL

PROJECT NO.: 702

ANNEX.: - DRAWING NO.: IS-1-GA-702-302-M051

CUSTOMER DRAWING NO.: Matree-00-ETH-LH-176051-1SG

REV.: 2

FORMAT FOR NO DEVIATION CERTIFICATE
(To be submitted in the bidder's letter head)

BHARAT HEAVY ELECTRICALS LIMITED,
Power Sector - Eastern Region,
Plot no 9/1, DJ Block, Sector – II, Salt Lake City,
Kolkata – 700 091

Sub	No Deviation Certificate.	
Job	PACKAGE 14: CIVIL, STRUCTURAL & ARCHITECTURAL WORKS FOR CHP ,AHP & MISC.WORK FOR 2X660 MW MAITREE RAMPAL PROJECT, BANGLADESH.	
Ref	1.0	Tender no: PSER:SCT:KLN-C1912:18.
	2.0	BHEL's NIT, vide reference no: PSER:SCT:KLN-C1912:6961, Date: 24-07-2018.
	3.0	BHEL's TCN-01, vide reference no: PSER: SCT:KLN-C-1912:18:TCN-01, Date: 14-08-2018.
	4.0	BHEL's TCN-02, vide reference no: PSER: SCT:KLN-C-1912:18:TCN-02, Date: 18-08-2018.
	5.0	BHEL's TCN-03, vide reference no: PSER: SCT:KLN-C-1912:18:TCN-03, Date: 23-08-2018.
	6.0	BHEL's TCN-04, vide reference no: PSER: SCT:KLN-C-1912:18:TCN-04, Date: 31-08-2018.
	7.0	BHEL's TCN-05, vide reference no: PSER: SCT:KLN-C-1912:18:TCN-05, Date: 04-09-2018.
	8.0	BHEL's TCN-06, vide reference no: PSER: SCT:KLN-C-1912:18:TCN-06, Date: 10-09-2018..
	9.0	BHEL's TCN-07, vide reference no: PSER: SCT:KLN-C-1912:18:TCN-07, Date: 21-09-2018.
	10.0	All other pertinent issues till date.

Dear Sirs,

With reference to above, this is to confirm that as per tender conditions, we have visited site before submission of our offer and noted the job content & site conditions etc. We also confirm that we have not changed/ modified the tender documents as appeared in the website/ issued by you and in case of such observance at any stage, it shall be treated as null and void.

We hereby confirm that we have not taken any deviation from tender clauses together with other references as enumerated in the above referred NIT. We hereby confirm our unqualified acceptance to all terms & conditions, unqualified compliance to technical specification, integrity pact (if applicable) and acceptance to reverse auctioning process.

In the event of observance of any deviation in any part of our offer at a later date whether implicit or explicit, the deviations shall stand null & void.

We confirm to have submitted offer in accordance with tender instructions and as per aforesaid references.

Thanking you,

Yours faithfully,

(Signature, date & seal of authorized
representative of the bidder)