



**PRODUCT STANDARD  
TURBINES & COMPRESSORS**

**TC 55314**

**REV 03**

PAGE 1 of 3

**COLLET**

**1.0) SCOPE :**

This standard specifies the requirement of Collet used for fixing thermo-element of OD 3.2 mm at the turbine bearings.

**2.0) TECHNICAL REQUIREMENTS:**

- a. Description : Collet.
- b. Material : ANSI 316L (EN 1.4404)  
(For dim refer sheet 2.)

**3.0) GUARANTEE CERTIFICATE:**

A Guarantee certificate for 24 months of trouble free operation from the date of shipment or 12 months from the date of commissioning whichever is earlier shall be furnished.

**4.0) DOCUMENTS:**

Technical literature shall accompany the offer.

**5.0) PACKING:**

The material shall be properly packed to ensure that it is capable of withstanding transit risks without damage.

**6.0) MARKING:**

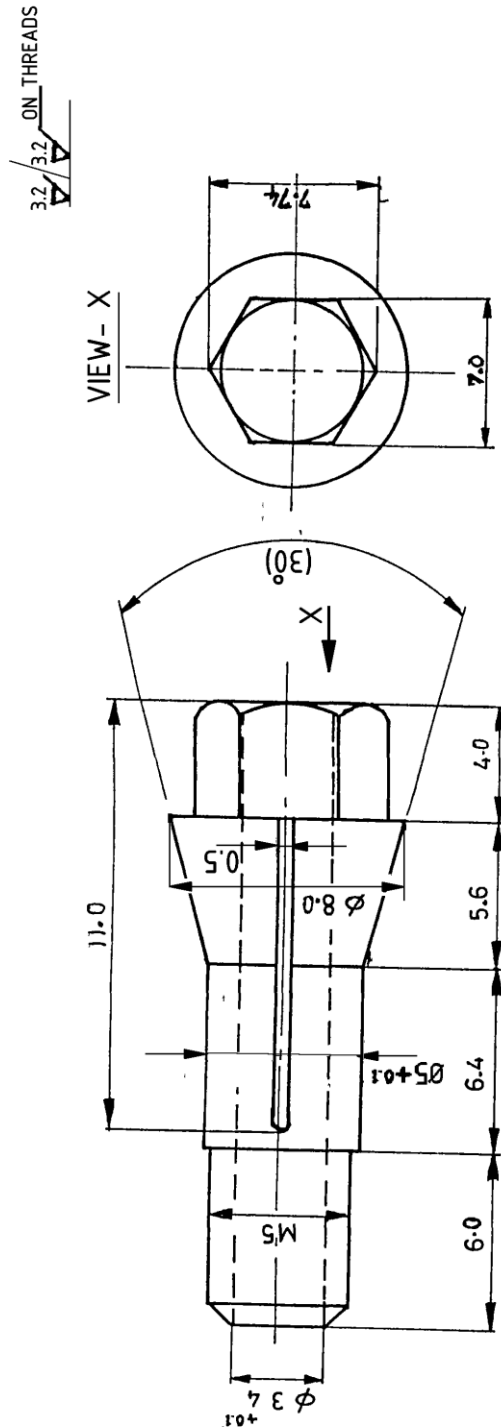
- 6.1)** A tag bearing the relevant 12 digit material code of BHEL shall be attached for each item.
- 6.2)** The following details shall be marked on packing case:
  - 1. Manufacturer's Name
  - 2. BHEL Order No.
  - 3. BHEL Standard No.

**7.0) BHEL CODIFICATION: TC9755134018.**

FORMAT  
TD-203  
REV-00

**COPY RIGHT AND CONFIDENTIAL**

The information on this document is the property of BHEL. It must not be used directly or indirectly in any way detrimental of company.



COLLET

MATL.CODE : TC 9755134018

MATERIAL : ANSI 316L (EN1.4404)

(ALL DIMENSIONS ARE IN mm)



**PRODUCT STANDARD  
TURBINES & COMPRESSORS**

**TC 55314**

**REV 03**

PAGE 3 of 3

**RECORDS OF REVISION**

REV.	DATE	REV. DETAILS	REVISED	APPROVED
00	28.08.93	NEW	P.Sudhir Babu	P.Sudhir Babu
01	-	-	-	-
02	24.04.14	DIM Ø5 +0.1 ADDED	Santosh	Ashok
03	10.06.21	REAFFIRMED	PDP	PATIL

FORMAT  
TD-203  
REV-00

**COPY RIGHT AND CONFIDENTIAL**  
The information on this document is the property of BHEL. It must not be used directly or indirectly in any way detrimental of company.