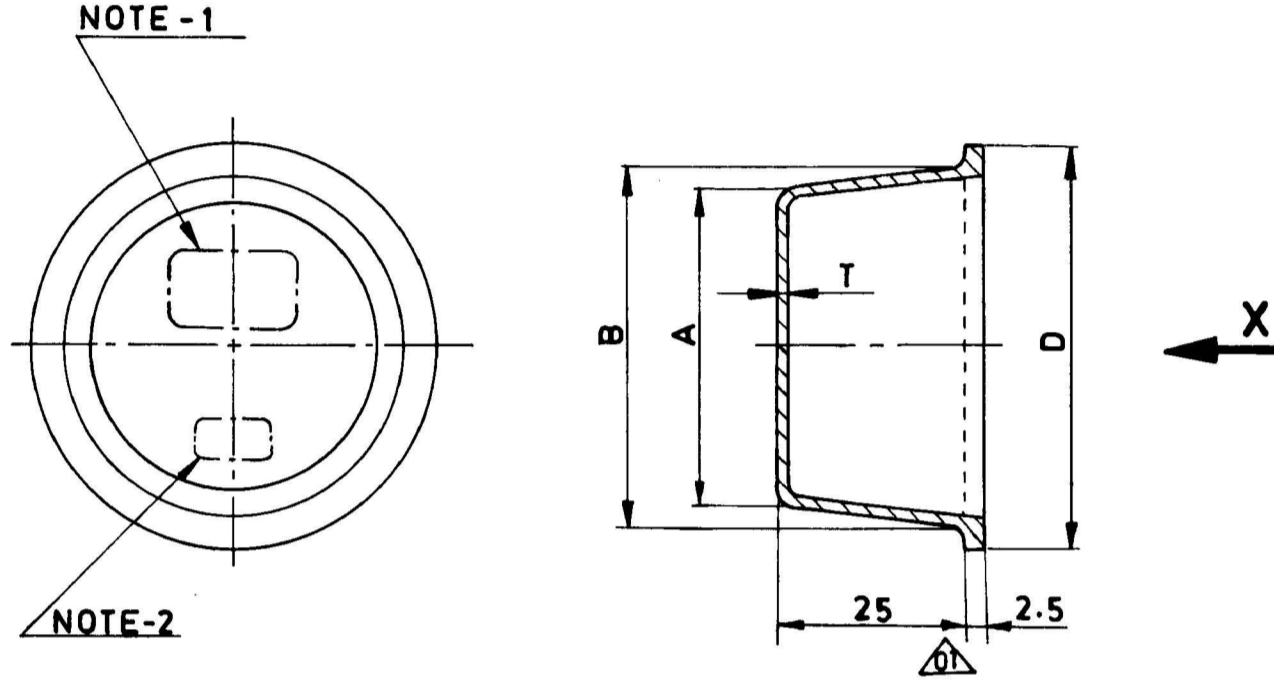


0210-6119

CAUTION THE INFORMATION ON THIS DOCUMENT IS THE PROPERTY OF BHARAT HEAVY ELECTRICALS LTD. IT MUST NOT BE USED DIRECTLY OR INDIRECTLY IN ANY WAY DETRIMENTAL TO THE INTEREST OF THE COMPANY.



**NOTE**

1. STAMP THE EMBLEM ACCORDING TO AA 040 1121 IN THE DIRECTION 'X'.
2. STAMP THE APPROPRIATE NOM SIZE IN THE DIRECTION 'X'.
3. MATERIAL: UREA FORMALDEHYDE CONFORMING TO IS:3389 OR POLYVINYL CHLORIDE (PVC) OR OTHER EQUIVALENT.
4. THE TUBE END COVERS SHALL BE FLEXIBLE TO FIT SNUGLY IN TO THE TUBE AND WITHSTAND SHOCK DURING TRANSIT OF THE TUBES.
5. THE TUBE END COVERS SHALL PREFERABLY BE OF DARK BLUE OR WHITE IN COLOUR OF VIRGIN QUALITY MATERIAL.
6. THE CORNERS SHALL BE SUITABLY RADIUSSED

EMBLEM SIZE	A	B	D	T	VARIETY NO.	ITEM NO.	DESCRIPTION	STD.	BPS CODE	ITEM NO.	MATL CODE	A	UNIT	UNIT WT	QTY	ZONE
25	66	72	78	1.5	21		TUBE END COVER INT DIA 69		6119 0120 41		22 073 646			0.015		
25	63	69	75	1.5	20		TUBE END COVER INT DIA 66		6119 0120 40		22 074 476			0.014		
15	60	66	72	1.5	19		TUBE END COVER INT DIA 63		6119 0120 39		22 074 475			0.014		
15	57	63	69	1.5	18		TUBE END COVER INT DIA 60		6119 0120 38		22 074 474			0.013		
15	54	60	66	1.5	17		TUBE END COVER INT DIA 57		6119 0120 37		22 074 473			0.012		
15	51	57	63	1.5	16		TUBE END COVER INT DIA 54		6119 0120 36		22 074 472			0.012		
15	48	54	60	1.5	15		TUBE END COVER INT DIA 51		6119 0120 35		22 074 471			0.009		
15	45	51	57	1.5	14		TUBE END COVER INT DIA 48		6119 0120 34		22 074 470			0.008		
15	42	48	54	1.5	13		TUBE END COVER INT DIA 45		6119 0120 33		22 074 469			0.008		
-	39	45	51	1.5	12		TUBE END COVER INT DIA 42		6119 0120 32		22 074 468			0.007		
-	36	42	48	1.5	11		TUBE END COVER INT DIA 39		6119 0120 31		22 074 467			0.006		
-	33	39	45	1.5	10		TUBE END COVER INT DIA 36		6119 0120 30		22 074 466			0.006		
-	30	36	42	1.5	09		TUBE END COVER INT DIA 33		6119 0120 29		22 074 465			0.005		
-	27	33	39	1	08		TUBE END COVER INT DIA 30		6119 0120 28		22 074 464			0.004		
-	24	30	36	1	07		TUBE END COVER INT DIA 27		6119 0120 27		22 074 463			0.004		
-	21	27	33	1	06		TUBE END COVER INT DIA 24		6119 0120 26		22 074 462			0.004		
-	18	24	30	1	05		TUBE END COVER INT DIA 21		6119 0120 25		22 074 461			0.003		
-	15	21	27	1	04		TUBE END COVER INT DIA 18		6119 0120 24		22 074 460			0.002		
-	12	18	24	1	03		TUBE END COVER INT DIA 15		6119 0120 23		22 074 459			0.001		
-	9	15	21	1	02		TUBE END COVER INT DIA 12		6119 0120 22		22 074 458			0.001		
-	6	12	18	1	01		TUBE END COVER INT DIA 9		6119 0120 21		22 074 457			0.001		

TYPE OF PRODUCT OR NAME OF CUSTOMER/PROJECT

**Bharat Heavy Electricals Ltd.,**  
BOILER PLANT UNIT  
TIRUCHIRAPALLI-620 014

DRN: G.D.N. SIGN: [Signature] DATE: 1.9.82 NO. OF VAR: [Blank]  
 CND: T.K. APPD: S.K.

DEPT: SS GRADE OF INTOL: R/M/K SCALE: N T S WEIGHT (kg): REFER UNIT WT: BPS 517501 ITEM NO.: [Blank]

REV: Q2 DATE: 01-07-93 ALTERED: [Signature] CHECKED: [Signature] DATE: 31.3.83 ALTERED: [Signature] CHECKED: [Signature]

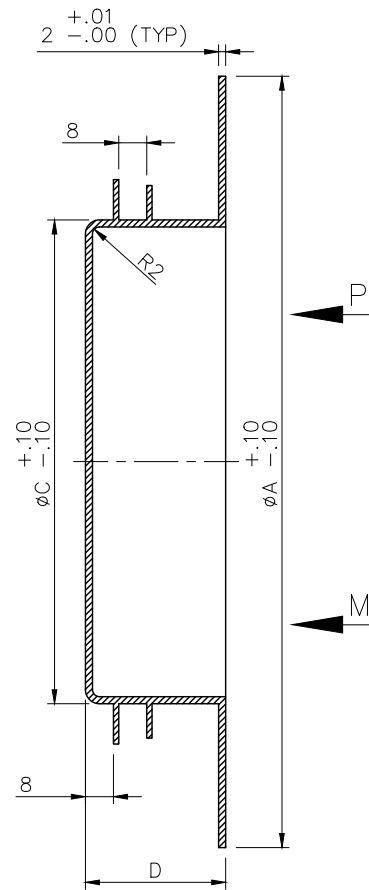
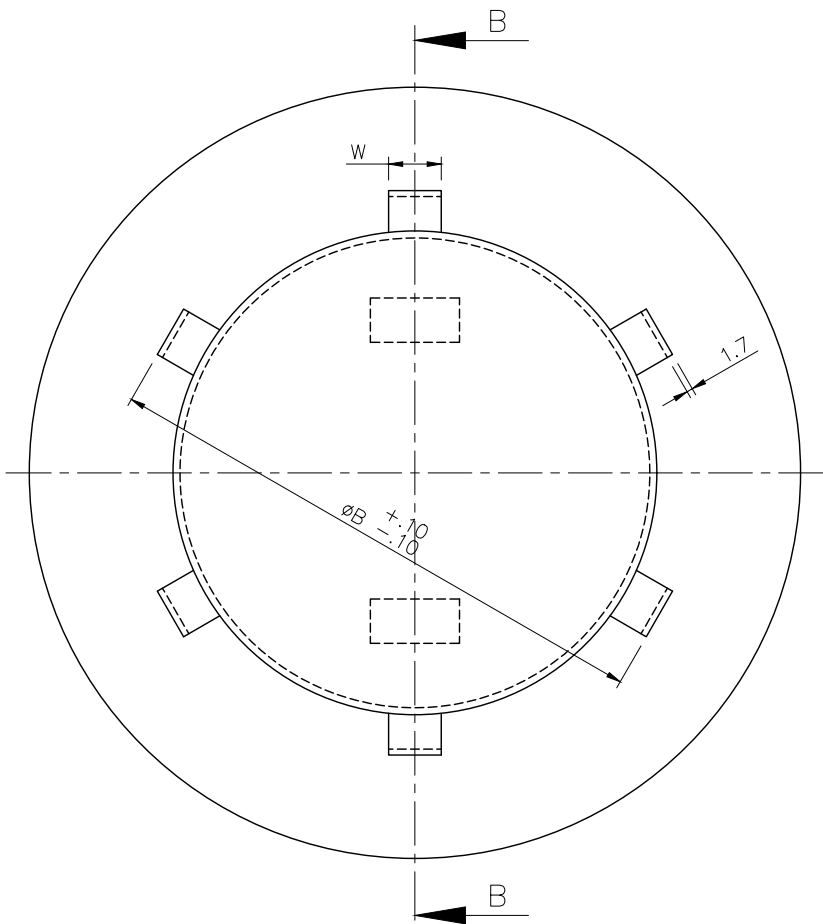
C.8 NOTE 5 ALTERED. LETTER REF. NO. MM: MPL:BPS:0764 DATED 18.06.93

D5 EMBLEM SIZE 15 WAS 25 WIDTH SIZES REINTRODUCED.

TITLE: TUBE END COVER (INTERNAL TYPE) DRAWING NO.: 6119-0120 REV: 02

# PLASTIC END COVER

1. MATERIAL CODE: REFER TABLE
2. MATERIAL: LOW DENSITY POLYETHYLENE (LDPE)
3. COLOR: DARK BLUE
4. MARK/CAST SIZE IN DIRECTION-P. REFER COLUMN 'MARK'.
5. MARK/CAST VENDOR 'MAKE' IN DIRECTION-M.
6. ALL DIMENSIONS ARE IN MM.



SECTION-BB

SL. NO.	MATERIAL CODE	DIMENSIONS					MARK	REMARKS
		$\phi A$	$\phi B$	$\phi C$	D	W		
1	G96120880000	92	57	35	25	15	NB-50	2 INCH
2	G96120890000	127	85 $\Delta$	58	25	15	NB-80	3 INCH
3	G96120870000	150	107	78	35	25	NB-100	4 INCH
4	G96120860000	215	158	136	40	25	NB-150	6 INCH
5	G96120910000	268	210 $\Delta$	180	40	25	NB-200	8 INCH
6	G96120920000	320	258	220	40	25	NB-250	10 INCH
7	G96120930000	380	309	268	40	25	NB-300	12 INCH