

### Technical Specifications

SL. No	Description and Technical Specification of the item	QTY	UNIT	Delivery
1	20 Torch Nozzle 20 Torch Bernard nozzle as per drawing 4M-10A61-29938/revision 01 and material chemical composition test certificate is required along with supply.	1,500.00	NO	30 DAYS

## Technical Specification PR 136454685

20 Torch Bernard nozzle as per drawing 4M-10A61-29938/Revision 01  
and material chemical composition test certificate is required along with supply.

Note:

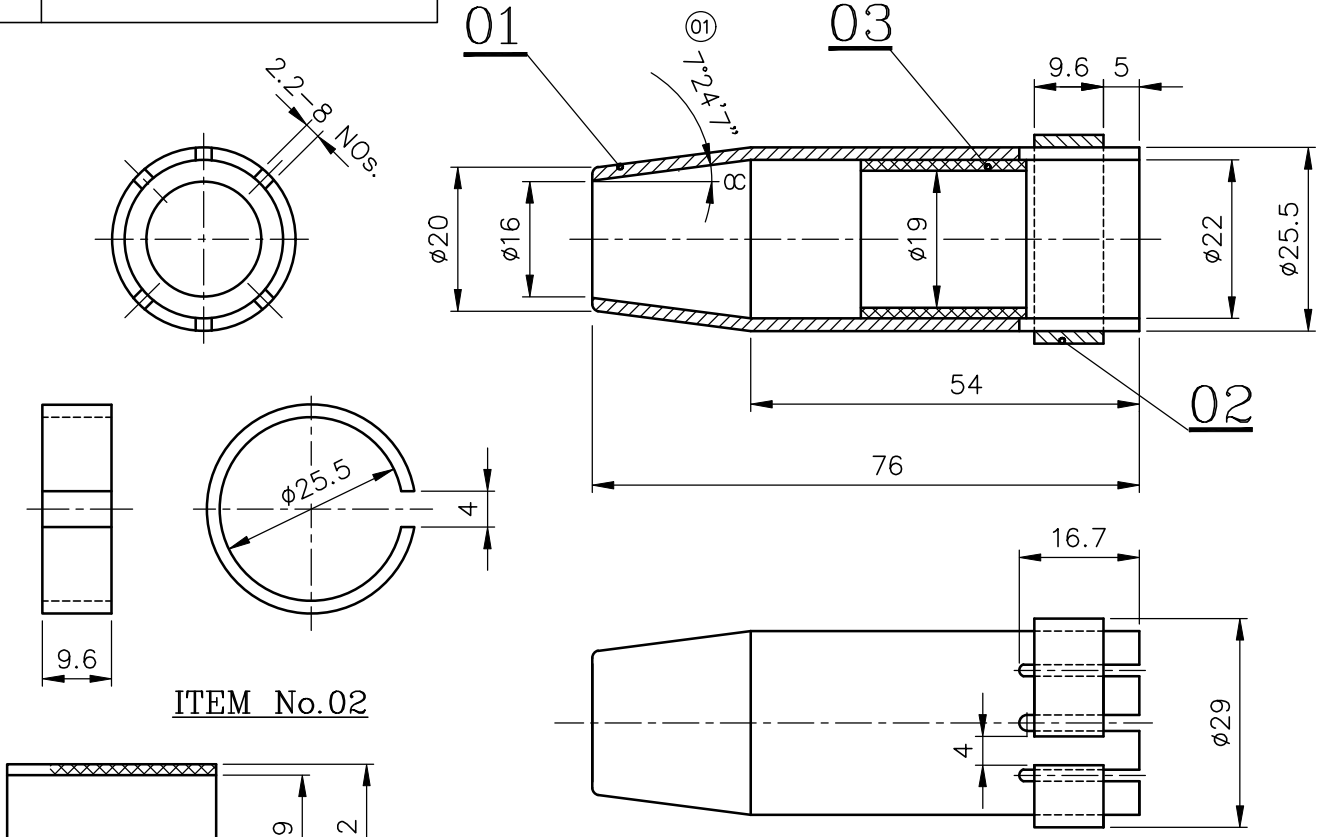
4M-10A61-29938/Revision 01

∞ ANGLE

as taken as Zero Degree.

REV	DATE	ALTERED	S.Selvamanickam
01	16.05.24	CHECKED	A.Danasekar
		APPROVED	A.Danasekar
ZONE		TIP ANGLE ADDED	

1.6/



- NOTE: -**
- 01. ITEM No. 01 NICKLE CHROMIUM COATING TO BE GIVEN ON INNER & OUTER SURFACE TO A DEPTH 0.02mm.
  - 02. AVOID SHARP CORNERS.
  - 03. ∞ ANGLE RANGE 0° TO 7° 24' 7"

03	INSULATOR		GLASS EPOXY	
02	RING ID.25.5xOD.29x9.6t		BS 970	0.01
			EN42F	
01	NOZZLE∅25.5x76 L		ASTM C11000	0.08
			ETP	1
ITEM NO	DESCRIPTION	DRAWING NO	MATL CODE	UNIT WT
			MATL SPEC	QTY

CAUTION: THE INFORMATION ON THIS DOCUMENT IS THE PROPERTY OF BHARAT HEAVY ELECTRICALS LIMITED.IT MUST NOT BE USED DIRECTLY OR INDIRECTLY IN ANY WAY DETRIMENTAL TO THE INTEREST OF THE COMPANY.

EQPT: 20 TORCH BERNARD / KKK

	<b>Bharat Heavy Electricals Ltd</b> HIGH PRESSURE BOILER PLANT TIRUCHIRAPALLI - 620014		TCD	NAME	SIGNATURE	DATE
			CHD	C.PONNUSAMY	<i>B.Ponnusamy</i>	15-7-17
			APPD	G.GOVINDARAJ	<i>G.Govindaraj</i>	15-7-17
			APPD	S.MOHAN	<i>S.Mohan</i>	15-7-17

DEPT	GRADE OF UNTOL. DIM		SCALE	WEIGHT (Kg)	REF TO ASSY DWG NO	ITEM
M&S	∅/M/∅		1:1			
CODE	IS:2102				REF TO OLD DWG NO	
2597					4M10A1128582/02	

TITLE	CARD CODE	DRAWING NO :	RE
<b>NOZZLE</b> (TORCH ASSY.)	U 01	<b>4-M-10A61-29938 01</b>	



Sl. No.	Pre –Qualification Criteria – PR 0136454685	Bidder remark
1	Any deviation from the Specification are to be mentioned in the “Bidder remark Space”. If There is no deviation vendor should indicate “No Deviation”.	
2	Material test certificate is required along with supply.	

Sign and seal

**Annexure – A- Additional Terms and Conditions for GeM Enquiry**

The terms and condition mentioned in this document are applicable in addition to the GeM General Terms and Conditions. Bidders shall furnish pointwise confirmation/details.

<i>To be filled by bidder</i>		
<b>Description of the Equipment:</b>		
<b>GeM Tender No. &amp; Date</b>		
<b>Name of the firm (Bidder)</b>		:
<b>Address</b>		:
<b><u>Contact person 1</u></b>		<b><u>Contact person 2</u></b>
<b>Name:</b>		<b>Name:</b>
<b>Designation:</b>		<b>Designation:</b>
<b>Office Phone:</b>		<b>Office Phone:</b>
<b>Mobile:</b>		<b>Mobile:</b>
<b>e-mail:</b>		<b>e-mail:</b>
<b>Offer/Quotation reference with date</b>		:
SI	Terms and conditions	Vendor's confirmation
1.	Inspection by BHEL/as per Technical specification(if any).	
2.	<p><b>Payment terms:</b></p> <ol style="list-style-type: none"> <li>1. Payment terms for Non MSME Suppliers: 90 days from the Vehicle entry date (Against submission of GST invoice, GeM invoice, LR copy, Last Movement e-Way Bill, UD).</li> <li>2. Payment terms for Micro &amp; Small Enterprises (MSEs): 45 days from the Vehicle entry date (Against submission of GST invoice, GeM invoice, LR copy, Last Movement e-Way Bill, UD). The supplier should upload UDYAM Registration Certificate in proof of MSE.</li> <li>3. Payment terms for Medium Enterprises: 60 days from the Vehicle entry date (Against submission of GST invoice, GeM invoice, LR copy, Last Movement e-Way Bill, UD). The supplier should upload UDYAM Registration Certificate in proof of Medium Enterprises.</li> </ol> <p><b>Note:</b> Deviation in above payment terms is not acceptable.</p>	
3.	Response to Tenders for Indigenous supplier will be entertained only if the vendor has a valid GST registration number which should clearly mentioned in the offer. Indicate the GST registration number. If any specific exemption is available, a declaration with due supporting documents need to be furnished for considering the offer.	GST Registration No. _____
4.	<b>EMD / Performance Security:</b>	Not Applicable
5.	Kindly Indicate the HSN Code for all items	HSN CODE : ____
6.	Rate quoted in GeM portal should be on FOR destination basis inclusive of all taxes, P&F, freight etc. Transit Insurance is under Supplier scope.  Please indicate how much GST percentage is included in quoted price.	GST in %: ____

Vendor's Seal & Signature

## / On Bidder's office letter pad /

Self-Declaration

Enquiry No.	
Enquiry Date	

In line with Government public procurement order Number P-45021/2/2017-B.E-II dated 15.06.2017, and further modified order dt. 28.05.2018, 29.05.2019 & order 04.06.2020 issued by DPIIT

I / We hereby declare that I / We are a "Local Supplier" meeting the requirement of minimum local content (..... %) defined in the above government notification for the goods against above mentioned enquiry Number.

Details of location at which local value addition will be made is as follows:

Door No.	
Street / Address 1	
Street / Address 2	
District	
State	
Country	
PIN Code	

We also understand that the false declarations will be in breach of the code of Integrity under rule 175(1)(i)(h) of the General financial rules for which a bidder or its successors can be debarred for up to two years as per Rule 151(iii) of the General Financial Rules along with such other actions as may be permissible under law.

For Company Name:

Seal:

Signature:

Date:

Place:

**Note:**

" Local Content "means the amount of value added in India which shall ,unless otherwise prescribed by the Nodal Ministry, be the total value of the item procured(excluding net domestic indirect taxes) minus the value of imported content in the item(including all customs duties) as a proportion of the total value, in percent. "Local Supplier "means a supplier or service provider whose product or service offered for procurement meets the minimum local content.

# The above declaration shall be submitted mandatorily along with the offer in company letter head with seal & signature.

(Please fill all the yellow color field)