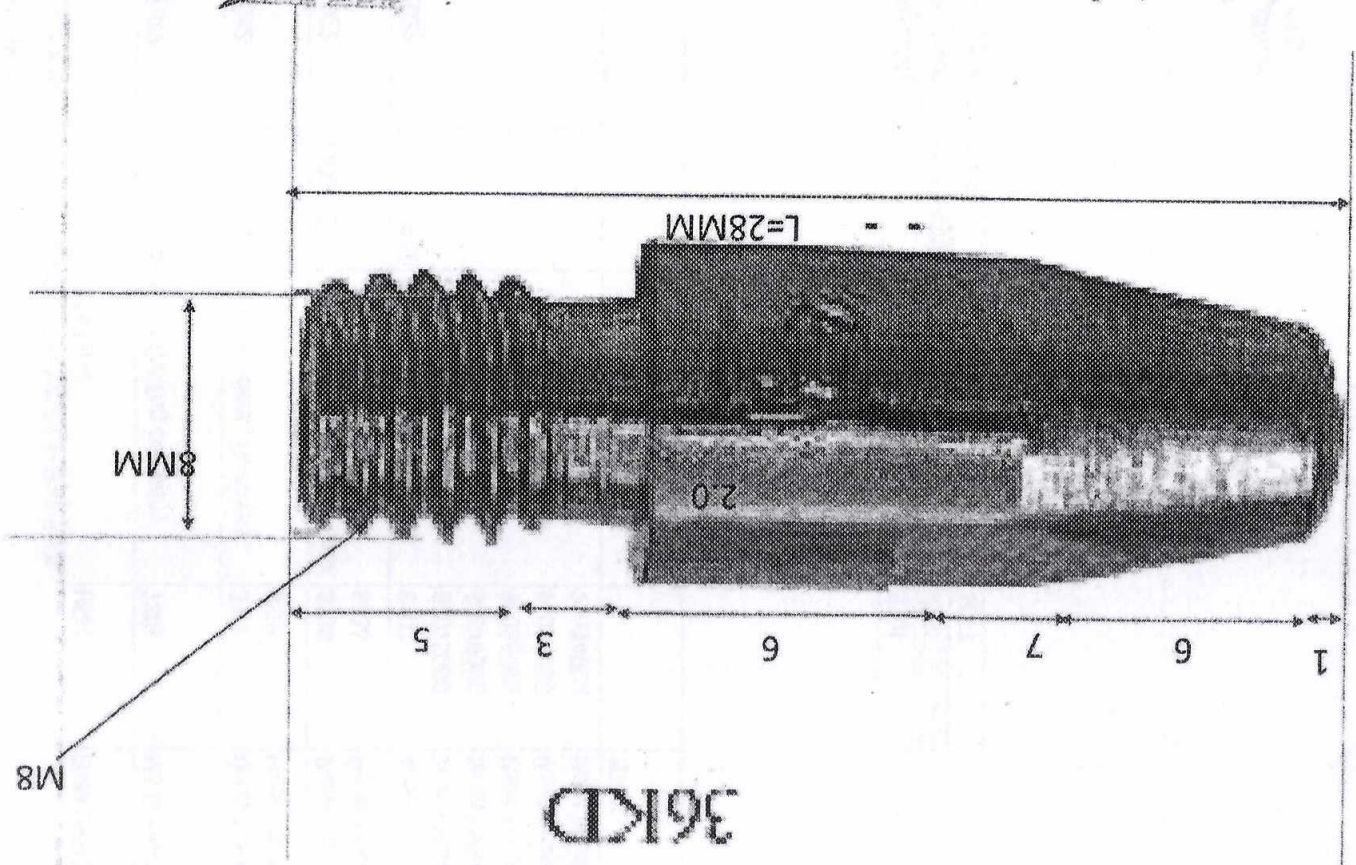


Bidder Seal Engineer

ANU KUMAR  
BHEL, Raipur  
Project Engineer



SKETCH - POINT 4

DRAWING + SPECIFICATIONS.