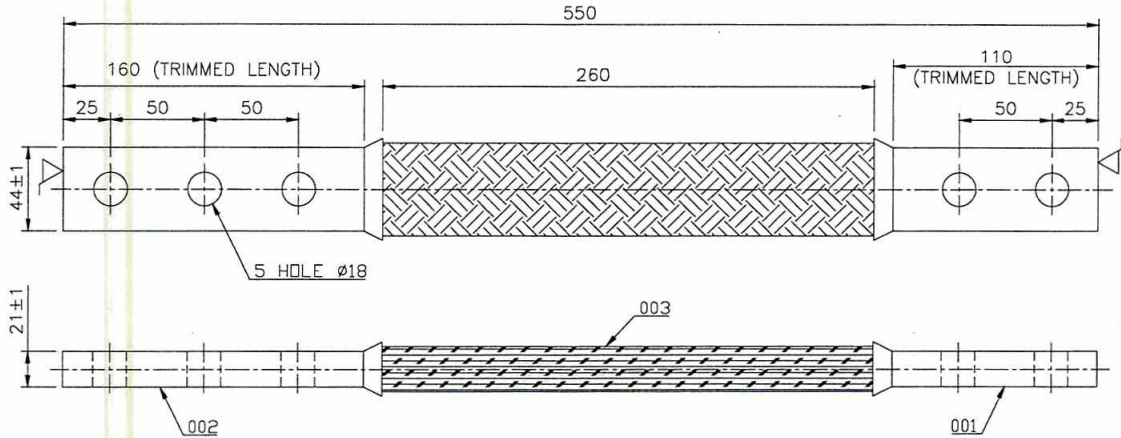


ALL DIMENSIONS IN MM.

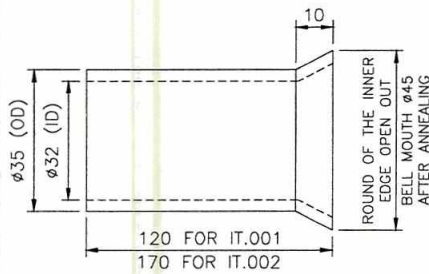
COPYRIGHT & CONFIDENTIAL: THE INFORMATION ON THIS DOCUMENT IS THE PROPERTY OF BHARAT HEAVY ELECTRICALS LIMITED. IT MUST NOT BE USED DIRECTLY OR INDIRECTLY IN ANY DETRIMENTAL TO THE INTEREST OF THE COMPANY.

D

1			2			3		
REV.	DATE	ALTERD	REV.	DATE	ALTERD	REV.	DATE	ALTERD
		CHECKED	02	21.09.13	CHECKED	01	15.02.13	CHECKED
WEIGHT, S.P. AREA AND ITEM DESCRIPTION ARE REVISED.					HOLE ADDED FOR SECOND END OF FLEXIBLE.			



VAR.00



ITEM-001 & 002

NOTES:-

1. EACH ELECTRO TINNED COPPER FLEXIBLE BRAID IS OF 38 SWG WIRE HAVING CROSS SECTION 105 SQMM.
2. ENDS ARE TO BE SWAGED AND SURFACES TO BE FLAT AND FREE FROM BELMISHES.
3. IF REQUIRED ENDS MAY BE PRESSED AGAIN TO MAINTAIN FLATNESS.
4. EACH FLEXIBLE ARE TO BE WRAPPED WITH POLYTHENE SHEET.
5. TRIMMED LENGTH TO BE SILVER PLATED.
6. FOR SILVER PLATING REF. DRG. NO. 45410000005 REV.06.
7. FOR BELL MOUTH AND BOTH SIDE GRINDING, MANUFACTURER TAKE EXTRA LENGTH OF TUBE AND BRAID AS SUITABLE.

SILVER PLATING AREA:-VAR.00=403.41 SQCM.

WEIGHT:-VAR.00=3.75±5% KG.

007		003	E.T. COPPER FLEXIBLE BRAID 3.2TKx48x550 LG.	-	-	AA12010	0.513	
001		002	COPPER TUBE 35 OD x 32 ID x 170 LG.	-	-	AA12014	0.239	
001		001	COPPER TUBE 35 OD x 32 ID x 120 LG.	-	-	AA12014	0.168	
VAR 00	REMARKS	ITEM NO.	DESCRIPTION	DRAWING NO.	IT.NO. VAR.	MATL.CODE MATL.SPCN.	WT. QTY.	U U

CUSTOMER	PROJECT/PRODUCT
-	-

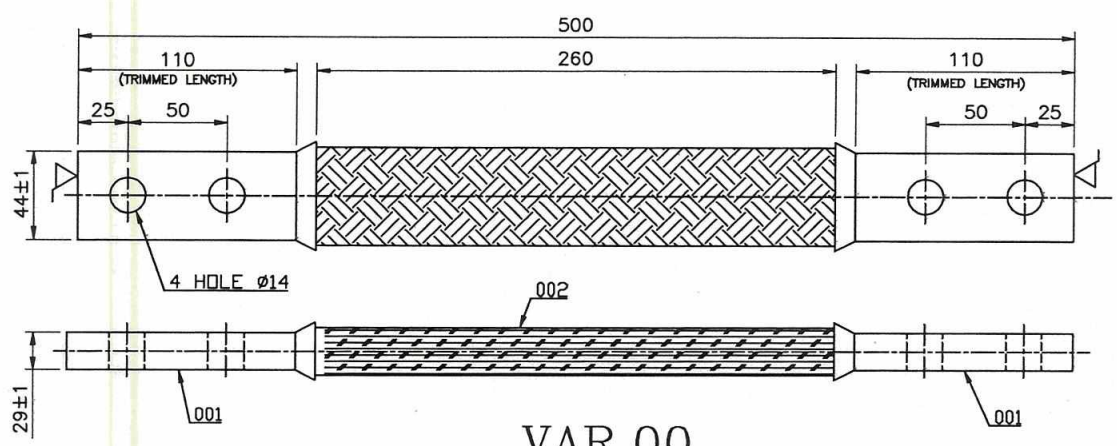
	भारत हेवी इलेक्ट्रिकल्स लिमिटेड - रुद्रपुर BHARAT HEAVY ELECTRICALS LIMITED RUDRAPUR	NAME	SIGN.	DATE	NO. OF VAR.
		DRN.	एस. के. गुप्ता	-	
		CKD.	एस. के. गुप्ता	-	
		APPD.	आर. के. लाल	-	

DEPTT. BDE	UNTOL.DIM.GR. C/M/F	SCALE	WEIGHT-KG	REF.TO ASSY.DRG.	IT.NO.	NO.OF ITEM
				-	-	

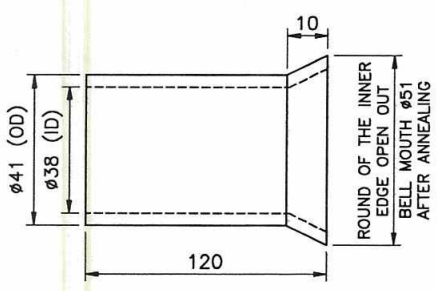
TITLE	DRAWING NO.	REV.
COPPER BRAIDED FLEXIBLE FOR IPBD	41001200024	02
SHEET NO.- 01	NO.OF SHEETS- 01	SIZE- A4

ALL DIMENSIONS IN MM.
 COPYRIGHT & CONFIDENTIAL: THE INFORMATION ON THIS DOCUMENT IS THE PROPERTY OF BHARAT HEAVY ELECTRICALS LIMITED. IT MUST NOT BE USED DIRECTLY OR INDIRECTLY IN ANY DETRIMENTAL TO THE INTEREST OF THE COMPANY.

REV.	DATE	1 ALTERD CHECKED	REV.	DATE	2 ALTERD CHECKED	REV.	DATE	3 ALTERD CHECKED
------	------	------------------------	------	------	------------------------	------	------	------------------------



VAR.00



ITEM-001

NOTES:-

1. EACH ELECTRO TINNED COPPER FLEXIBLE BRAID IS OF 38 SWG WIRE HAVING CROSS SECTION 105 SQMM.
2. ENDS ARE TO BE SWAGED AND SURFACES TO BE FLAT AND FREE FROM BELMISHES.
3. IF REQUIRED ENDS MAY BE PRESSED AGAIN TO MAINTAIN FLATNESS.
4. EACH FLEXIBLE ARE TO BE WRAPPED WITH POLYTHENE SHEET.
5. TRIMMED LENGTH TO BE ELECTRO TINNED.
6. FOR ELECTRO TINNING REF. DRG. NO. 45410000005 REV.06.
7. FOR BELL MOUTH AND BOTH SIDE GRINDING, MANUFACTURER TAKE EXTRA LENGTH OF TUBE AND BRAID AS SUITABLE.

ELECTRO TINNING AREA:-VAR.00=385.42 SQCM.
WEIGHT:-VAR.00=4.90±5% KG.

010		002	E.T. COPPER FLEXIBLE BRAID 3.2TKx48x500 LG.	-	-	AA12010	0.467
002		001	COPPER TUBE 41 OD x 38 ID x 120 LG.	-	-	AA12016	0.196
VAR 00	REMARKS	ITEM NO.	DESCRIPTION	DRAWING NO.	IT.NO.	MATL.CODE	WT.
					VAR.	MATL.SPCN.	QTY.

CUSTOMER	PROJECT/PRODUCT
-	-

	भारत हेवी इलेक्ट्रिकल्स लिमिटेड - रुद्रपुर BHARAT HEAVY ELECTRICALS LIMITED RUDRAPUR				NO. OF VAR.
	DRN.	एस. के. गुप्ता	SIGN.	DATE	
	CKD.	एस. के. गुप्ता			
	APPD.	आर. के. लाल			

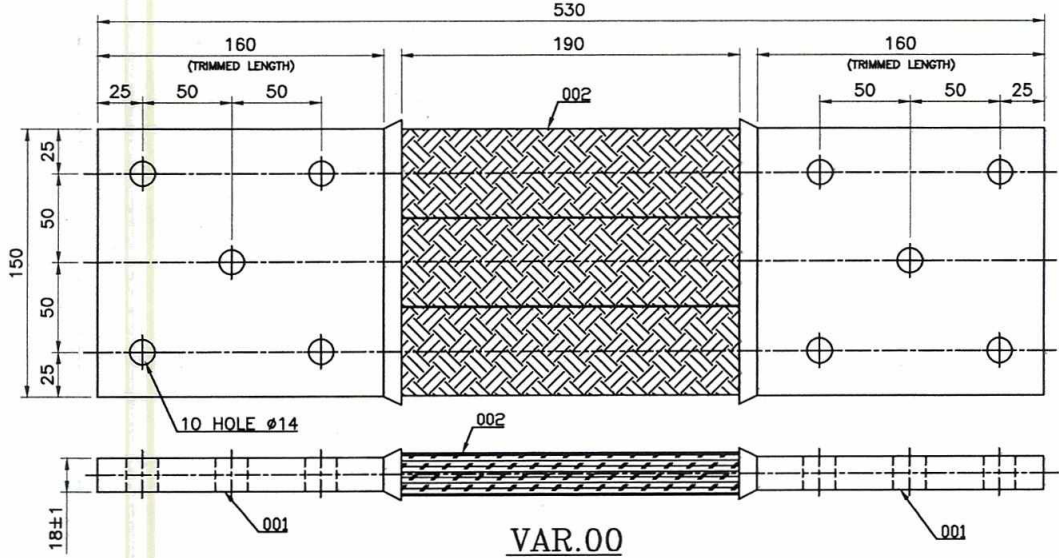
DEPTT. BDE	UNTOL.DIM.GR. C/M/F	SCALE	WEIGHT-KG	REF.TO ASSY.DRG.	IT.NO.	NO.OF ITEM

TITLE	DRAWING NO.	REV.
COPPER BRAIDED FLEXIBLE FOR SPBD	42001200054	00
SHEET NO.- 01	NO.OF SHEETS- 01	SIZE- A4

ALL DIMENSIONS IN MM.

COPYRIGHT & CONFIDENTIAL: THE INFORMATION ON THIS DOCUMENT IS THE PROPERTY OF BHARAT HEAVY ELECTRICALS LIMITED. IT MUST NOT BE USED DIRECTLY OR INDIRECTLY IN ANY DETRIMENTAL TO THE INTEREST OF THE COMPANY.

1		2		3	
REV.	DATE	ALTERD	रूपेश कुमार	REV.	DATE
01	23/10/17	CHECKED	अरविन्द नारायण	CHECKED	
DRAWING REVISED AS WEIGHT OF FLEXIBLE CORRECTED.					




VAR.00

- NOTES:-**
1. EACH ELECTRO TINNED COPPER FLEXIBLE BRAID IS OF 38 SWG WIRE HAVING CROSS SECTION 120 SQMM.
 2. ENDS ARE TO BE SWAGED AND SURFACES TO BE FLAT AND FREE FROM BELMISHES.
 3. IF REQUIRED ENDS MAY BE PRESSED AGAIN TO MAINTAIN FLATNESS.
 4. EACH FLEXIBLE ARE TO BE WRAPPED WITH POLYTHENE SHEET.
 5. TRIMMED LENGTH TO BE SILVER PLATED.
 6. FOR SILVER PLATING REF. DRG. NO. 45410000005 REV.06.
 7. FOR BELL MOUTH AND BOTH SIDE GRINDING, MANUFACTURER TAKE EXTRA LENGTH OF TUBE AND BRAID AS SUITABLE.

TOTAL CROSS SECTION AREA OF FLEXIBLE:-VAR.00=2520 SQMM.
SILVER PLATING AREA:-VAR.00=1177.6 SQCM.
WEIGHT:-VAR.00=12.76±5% KG.

ITEM-001

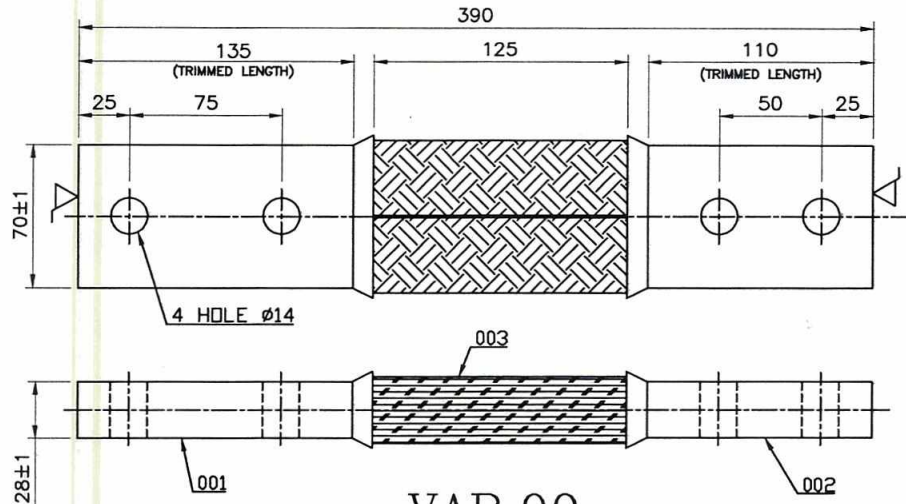
021		002	E.T. COPPER FLEXIBLE BRAID 3.2TKx50x530 LG.	-	-	AA12010	0.565
002		001	COPPER TUBE 62 OD x 58 ID x 170 LG.	-	-	AA12016	0.570
VAR 00	REMARKS	ITEM NO.	DESCRIPTION	DRAWING NO.	IT.NO.	MATL.CODE	WT.
					VAR.	MATL.SPCN.	QTY.

CUSTOMER			PROJECT/PRODUCT				
GENERAL			GENERAL				
 भारत हेवी इलेक्ट्रिकल्स लिमिटेड - रुद्रपुर BHARAT HEAVY ELECTRICALS LIMITED RUDRAPUR			DRN.	NAME	SIGN.	DATE	NO. OF VAR.
			CKD.	संजय कुमार गुप्ता		12/04/17	
			APPD.	रूपेश कुमार		12/04/17	
				अरविन्द नारायण		12/04/17	
DEPTT.	UNTOL.DIM.GR.	SCALE	WEIGHT-KG	REF.TO ASSY.DRG.	IT.NO.	NO.OF ITEM	
BDE	C/M/F						
TITLE				DRAWING NO.		REV.	
COPPER BRAIDED FLEXIBLE				43001200124		01	
SHEET NO.- 01		NO.OF SHEETS- 01		SIZE- A4			

ALL DIMENSIONS IN MM.

COPYRIGHT & CONFIDENTIAL: THE INFORMATION ON THIS DOCUMENT IS THE PROPERTY OF BHARAT HEAVY ELECTRICALS LIMITED. IT MUST NOT BE USED DIRECTLY OR INDIRECTLY IN ANY DETRIMENTAL TO THE INTEREST OF THE COMPANY.

1		2		3	
REV.	DATE	REV.	DATE	REV.	DATE
ALTERD		ALTERD		ALTERD	
CHECKED		CHECKED		CHECKED	



VAR.00

NOTES:-

1. EACH ELECTRO TINNED COPPER FLEXIBLE BRAID IS OF 38 SWG WIRE HAVING CROSS SECTION 105 SQMM.
2. ENDS ARE TO BE SWAGED AND SURFACES TO BE FLAT AND FREE FROM BELMISHES.
3. IF REQUIRED ENDS MAY BE PRESSED AGAIN TO MAINTAIN FLATNESS.
4. EACH FLEXIBLE ARE TO BE WRAPPED WITH POLYTHENE SHEET.
5. TRIMMED LENGTH TO BE ELECTRO TINNED.
6. FOR ELECTRO TINNING REF. DRG. NO. 45410000005 REV.06.
7. FOR BELL MOUTH AND BOTH SIDE GRINDING, MANUFACTURER TAKE EXTRA LENGTH OF TUBE AND BRAID AS SUITABLE.

ITEM-001,002

ELECTRO TINNING AREA:-VAR.00=556.35 SQCM.

WEIGHT:-VAR.00=6.43±5% KG.

016		003	E.T. COPPER FLEXIBLE BRAID 3.2TKx48x390 LG.	-	-	AA12010	0.364	
001		002	COPPER TUBE 53 OD x 49 ID x 120 LG.	-	-	AA12016	0.342	
001		001	COPPER TUBE 53 OD x 49 ID x 145 LG.	-	-	AA12016	0.413	
VAR 00	REMARKS	ITEM NO.	DESCRIPTION	DRAWING NO.	IT.NO. VAR.	MATL.CODE MATL.SPCN.	WT. QTY.	U U

CUSTOMER				PROJECT/PRODUCT				
GENERAL				GENERAL				
भारत हेवी इलेक्ट्रिकल्स लिमिटेड - रुद्रपुर BHARAT HEAVY ELECTRICALS LIMITED RUDRAPUR				DRN.	NAME	SIGN.	DATE	NO. OF VAR.
				CKD.	रूपेश कुमार		12/10/17	
				APPD.	अरविन्द नारायण		12/10/17	
DEPTT. BDE	UNTOL.DIM.GR. C/M/F		SCALE -	WEIGHT-KG -	REF.TO ASSY.DRG. -	IT.NO. -	NO.OF ITEM	
TITLE				DRAWING NO.			REV.	
COPPER BRAIDED FLEXIBLE FOR SPBD				43001200131			00	
				SHEET NO.- 01	NO.OF SHEETS- 01		SIZE- A4	