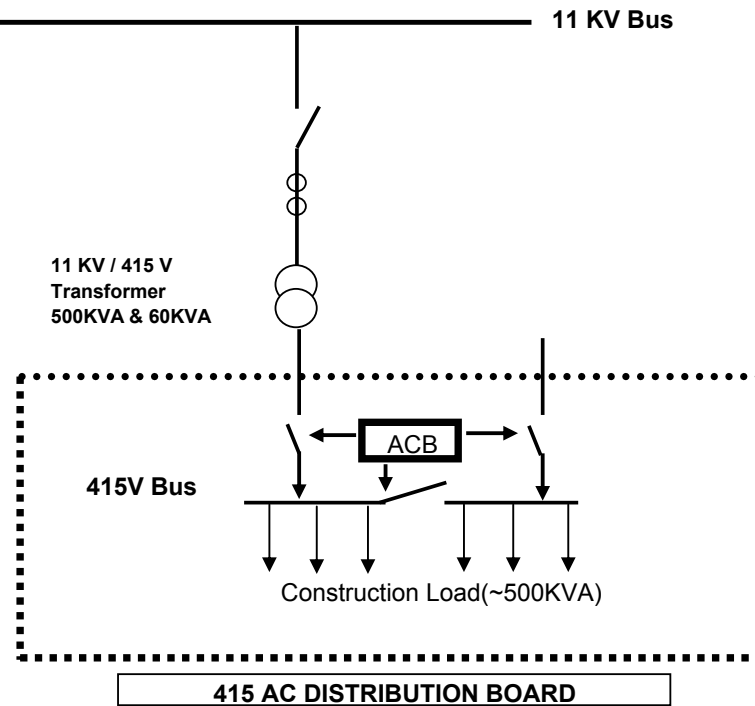


SINGLE LINE DIAGRAM FOR 11 KV / 0.433 KV POWER DISTRIBUTION NET WORK AT 2 X250 MW (UNIT-10& 11) SATPURA TPS ,MPPGCL ,SARNI DIST BETUL

Bidder's Scope for Installation ,Erection & Commissioning of 11/0.433KV system)



**BHARAT HEAVY ELECTRICALS LIMITED
POWER SECTOR WESTERN REGION
SINGLE LINE DIAGRAM
DRG NO. BHE/PSWR/SAT/ELC/CPO-02(Sht No.1)**

- 1) The length of 11KV line installation shall be approx 800-1000 mtr for 280KVA connections
- 2) The length of 11KV line installation shall be approx 100-150 mtr for 60KVA connections