

## **SCHEDULE 3**

### **SPACER FOR BEARING 32020X (SRM 300)**

SPACER FOR BEARING 32020X (SRM 300)

DRG. NO.: 30. ST.115.02.323/03 SL. NO.: 03

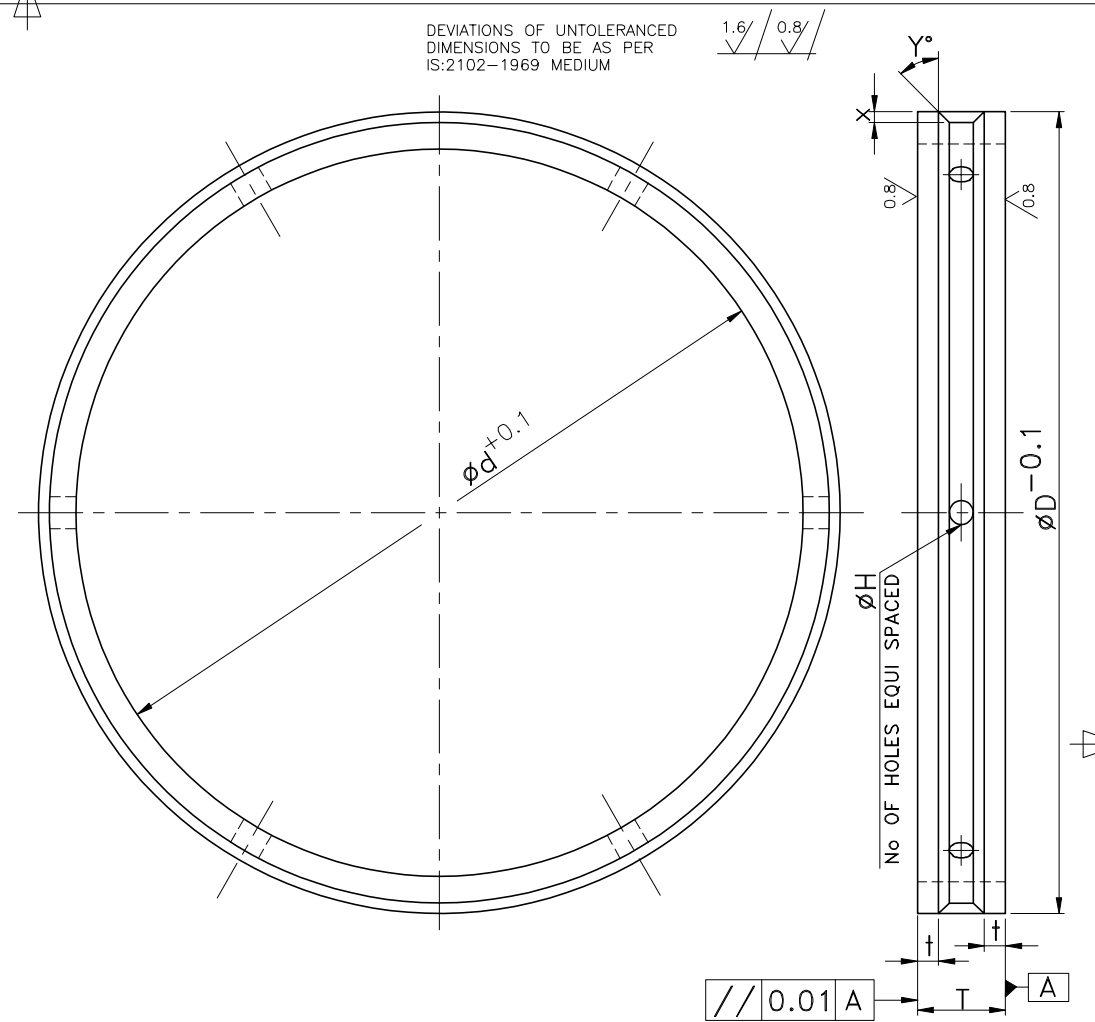
THE INFORMATION ON THIS DOCUMENT IS THE PROPERTY OF BHARAT HEAVY ELECTRICALS LTD  
CAUTION: IT MUST NOT BE USED DIRECTLY OR INDIRECTLY IN ANYWAY DETERMINAL TO INTEREST OF THE COMPANY

SL. No.	D	d	T	t	X	Y	H	No.OF HOLES	WT(Kg)	BEARING NUMBER	MATERIAL CODE No.	FOR ASSY
01	125	120	14.5	4			4	6	0.087	32016X	6912910018	SRM300
02	125	120	14.0	5	1	45°	6	4	0.114	33016	6912910026	
03	150	144	16.5	4			6	4	0.145	32020X	6912910034	
04	140	134	13.5	4			4	6	0.115	33018	6911910019	SRM380
05	140	134	16.5	4	1	45°	6	6	0.154	32018X	6911910027	
06	180	173	18.5	5			6	6	0.240	32024X	6911910035	

ALL DIMENSIONS ARE IN MILLIMETERS

DEVIATIONS OF UNTOLERANCED DIMENSIONS TO BE AS PER IS:2102-1969 MEDIUM

1.6/ 0.8/



ANY ONE OF THE FOLLOWING MATERIAL SHALL BE USED

SL No.	MATERIAL	CHEMICAL COMPOSITION					
		C	Si	Mn	P	S	Cr
01	IS:103Cr1	0.95	0.15	0.25	MAX.0.025	MAX.0.025	0.90
		1.10	0.35	0.45			1.20
02	BS:EN31	0.90	0.10	0.30	MAX.0.050	MAX.0.050	1.00
		1.20	0.35	0.75			1.60
03	DIN:100Cr6	0.95	0.15	0.20	MAX.0.030	MAX.0.030	1.30
		1.10	0.35	0.40			1.65

HARDEND TO 43±47RC

NOTE TO SUPPLIER

- 01) MATERIAL CHEMISTRY - NABL ACCREDITED LAB TEST CERTIFICATE IN ORIGINAL IS TO BE PROVIDED
- 02) HARDNESS & HEAT TREATMENT CERTIFICATE OBTAINED FROM THE HEAT TREATER IS TO BE PROVIDED

		Bharat Heavy Electricals Ltd		DRN	R.KUMAR	SIGNATURE	DATE
		SEAMLESS STEEL TUBE PLANT TIRUCHIRAPALLI - 620014		CHD	N ARUMUGANAINAR	<i>R.Kumar</i>	02.11.2023
DEPT	GRADE OF UNTOL. DIM	SCALE	WEIGHT(kg)	APPD	REF TO ASSY DWG NO		
T E	C/M/F	N T S		M MARUDHAVANAN	REF TO OLD DWG NO		
CODE					REF TO ASSY DWG NO		
TITLE				CARD CODE	DRAWING NO :		REV
BEARING SPACERS (FOR SRM)				U 01	30-ST-115-01-323		03