

## **SCHEDULE 1**

### **PIVOT SHAFT- CPE MANDREL HEAD & ADAPTOR**

PIVOT SHAFT FOR CPE MANDREL HEAD AND ADAPTOR ASSY.  
DRAWING NO.: 40-ST-123-02-617/00

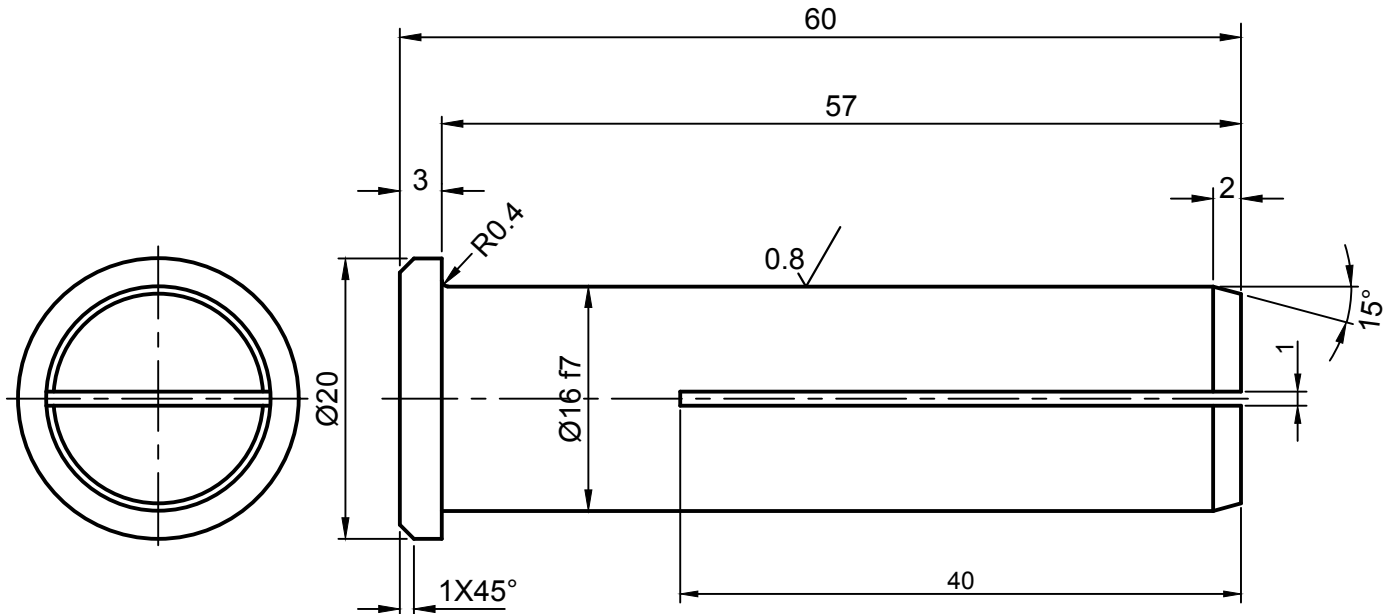
ALL DIMENSIONS ARE IN MM

REV 01	DATE	ALTERED
		CHECKED
		APPROVED

1.6/ 0.8/


DEVIATIONS OF UNTOLERANCED DIMENSIONS TO BE ASPER IS:2102-1969 MEDIUM.

16 f7	-0.016
	-0.034



HARDEN AND TEMPER TO 28-32HRC  
MATERIAL CODE No.: 6905123208

CAUTION: THE INFORMATION ON THIS DOCUMENT IS THE PROPERTY OF BHARAT HEAVY ELECTRICALS LIMITED. IT MUST NOT BE USED DIRECTLY OR INDIRECTLY IN ANY WAY DETRIMENTAL TO THE INTEREST OF THE COMPANY.

	Ø20X60		DIN1.7225	
			42CrMo4	
ITEM NO	DESCRIPTION	DRAWING NO	MATL CODE	UNIT WT
			MATL SPEC	QTY
EQPT:				
 Bharat Heavy Electricals Ltd SEAMLESS STEEL TUBE PLANT TIRUCHIRAPALLI - 620014		DRN	NAME M.BAWA	SIGNATURE <i>M. Bawa</i>
		CHD		DATE 10-02-16
		APPD	M. MARUDHAVANAN	<i>M. Marudhavanan</i>
DEPT SSTP TE	GRADE OF UNTOL. DIM	SCALE	WEIGHT (Kg)	REF TO ASSY DWG NO
CODE 456	$\checkmark$ IS: 2102	1:1	0.1	10-ST-123-00-182
TITLE		CARD CODE	DRAWING NO :	ITEM
PIVOT SHAFT		U 01	40-ST-123-02-617	13
				REV
				00

A4-SIZE