

**BHARAT HEAVY ELECTRICALS LIMITED
TIRUCHIRAPPALLI – 620 014
CIVIL ENGINEERING DEPARTMENT**

08-06-26

To

The Tenderer

Dear Sirs,

Name of work: Annual Maintenance contract for Structural works including Structural fabrication, erection painting, roof sheeting and FRP lining in BHEL - Trichy, Factory Complex

Ref: Tender Schedule No. **CF:TS:06:26-27**

Please find enclosed / attached non-transferable tender document containing

Techno-commercial bid consisting of Preamble, Specifications, General and Special Conditions of Contract, Norms for Qualification and Qualification Pro forma, Bill of Quantities to offer your most competitive rates for all the items.

TENDERS must be submitted *electronically by logging to e-procurement portal* <https://eprocurebhel.co.in>

Physical submission of tender shall not be accepted.

EMD: NIL

The completed qualification bid, Price Bid, Special Conditions of Contract and Standard conditions of Contract along with required documents and EMD shall be uploaded in e-procurement portal on or before **19 06 26 @ 10:00 Hrs.** The qualification bid will be opened on **19 06 26 @14:00 hrs** through e-procurement portal. In case of opening day falls on holiday or happened to be declared as a holiday, the receipt and opening of the tender shall automatically fall on the same timing of the next working day. Date and time of opening of the Price Bid shall be intimated only to the bidders those who have qualified after evaluation of the qualification bid.

Thanking you,

Yours faithfully
For and on behalf of
BHARAT HEAVY ELECTRICALS LIMITED,

**Sr Manager
CIVIL / Planning
Civil Township office
BHEL, Trichy – 620 014.**

CONTRACTOR

Page 1 of 177

ACCEPTING OFFICER

Bharat Heavy Electricals Limited ,Trichy -14- Civil Engineering Department
Part – I TECHNO COMMERCIAL BID (QB) - SECTION 1 - NOTICE INVITING E-TENDER

A) Tender Details		
1.	Tender Schedule No.	CF:TS:06:26-27
2	Tender Type	Open Tender – Two Part (e-Tender)
3.	Name of Work	Annual Maintenance contract for Structural works including Structural fabrication, erection painting, roof sheeting and FRP lining in BHEL - Trichy, Factory Complex
4.	Location of Work	BHEL – Trichy Complex
5.	Contract Value	Rs. 200.0 Lakhs + Applicable GST
6.	Period of Contract	15 (Fifteen) Months from the date of award of contract
6a	Maintenance period	6 (Six) months
7.	EMD & SD	EMD - NIL SD - 5% of the Contract Value
8.	Reverse auction	Reverse auction is NOT applicable to this tender.
9	Split & award	Split & award conditions shall be followed. (Refer Section 2- Preamble)
10.	Tender document Details	Qualification Bid: Pages 1 to 162 ; Price Bid: Pages 163 to 177
11.	Mode of submission of offer	No Physical submission of tender , Tender only to be submitted electronically by logging to e-procurement portal https://eprocurebhel.co.in
12.	Last Date for Receipt of Tender	19 06 26 / 10:00 Hrs.
13.	Date of Techno Commercial Bid opening	19 06 26/ 14:00 Hrs.
14.	MSE benefits if applicable	Not Applicable
15.	Contact details of queries related to tender	KV Lakshmi Narayanan, Sr Manager, Civil / Planning, 0431 257 1053; e-mail: kvln@bhel.in ,rajabalan@bhel.in
16.	Contact details for queries related to scope of work	Shri. T Aaruyir Yogaa, Sr Manager /Civil. Factory 0431 257 4559; e-mail: tayogaa@bhel.in

We, the tenderer, have gone through all the pages of tender document and accept the terms and conditions.

CONTRACTOR

Page 2 of 177

ACCEPTING OFFICER

B) Contractor Profile details -

1.	Name of the Enterprise / Company / Firm.	To be filled in e-procurement portal
1.1.	Status of the Enterprise / Company / Firm.	To be filled in e-procurement portal
1.2	Regd. Address of Enterprise / Company / Firm.	To be filled in e-procurement portal
1.3	If offer is addressed from different address, as above, the same may specified,	To be filled in e-procurement portal
2	Details of documentary evidence submitted in support of Status of the Enterprise / Company / Firm.	Details to be filled and documentary evidence to be uploaded in e-procurement portal
Following documents to be uploaded in e-procurement portal based on status of Agency / Company / Vendor		
2.1	Are you / your partner involved whether as a proprietor / partner in other companies. In case of bid given by company, any other sister concerns being run. (Details of Name, Address, etc., of such companies shall be furnished.) if applicable	To be filled in e-procurement portal
3.	Landline/Mobile number(s)	To be filled in e-procurement portal
4.	E-mail Address	To be filled in e-procurement portal
5.	Name, Designation and Contact details of person signing the Tender (In case of authorized signatory, the copy of Power of Attorney (POA) should be uploaded	To be filled in e-procurement portal
6.	BHEL- Trichy Vendor Code: (If vendor code is not available, kindly Submit the original NEFT/RTGS Format duly filled and along with cancelled cheque leaf	To be filled in e-procurement portal
7.	If any vendors do not have ESI, EPF No. the vendor should produce a declaration in their letter head as per Annexure 1.	

**C) NORMS FOR QUALIFICATION FOR THIS TENDER
(CHECK LIST - TO BE FILLED BY CONTRACTOR COMPULSORILY)**

Sl. No	Qualifying Criteria	Details	Status
1	EMD – NIL		
2	Technical Competence		
	<p>Experience of having successfully completed similar works during last 7 (Seven) years ending last day of month previous to the one in which applications are invited should be either of the following</p> <p>a) Three similar completed works costing not less than the amount equal to Rs 40.0 Lakhs (Excluding GST) (or)</p> <p>b) Two similar completed works costing not less than the amount equal to Rs 50.0 Lakhs (Excluding GST) (or)</p> <p>c) One similar completed work costing not less than the amount equal to Rs 80.0 Lakhs (Excluding GST)</p> <p>(Experience proof from BHEL shall contain work order copies and experience proof from other than BHEL shall contain work order copies along with Completion Certificate (or) Confirmation mail from completion certificate issuing authority)</p> <p>Similar Work means “works involving fabrication, erection and/or maintenance of steel structures for industrial buildings and structural sheds”</p> <p>For arriving at cost of similar work, the value of work executed shall be brought to current costing level by enhancing the actual value of work at simple rate of seven percent per annum, calculated from the date of completion to the date of Bid opening.</p>	<p>Details to be filled and documentary evidence to be uploaded in e-procurement portal</p>	<p><input type="checkbox"/> uploaded / <input type="checkbox"/> Not uploaded</p>
3	<p>FINANCIAL SOUNDNESS:</p> <p>Average Annual financial turnover for any of the three consecutive years during the last six financial years i.e. 2019-20, 2020-21, 2021-22, 2022-23, 2023-24 & 2024-25 shall be equal to or more than Rs 30.0 Lakhs.</p> <p>Documents to Prove Financial Soundness of the Firm (in any of the following manner given below) for any three consecutive years out of six years i.e.</p> <p>Self-attested copy of Income Tax Submission Acknowledgment (SARAL), Audited Profit & Loss account and Balance Sheet indicating CA membership number for above mentioned Financial Years. (or)</p> <p>Auditor’s certificate (with CA membership no. / UDIN) for consolidated minimum average annual turnover (as given above) should be enclosed</p>	<p>Details to be filled and documentary evidence to be uploaded in e-procurement portal</p>	<p><input type="checkbox"/> uploaded / <input type="checkbox"/> Not uploaded</p>
4	<p>Income Tax Registration (PAN) (Copy of PAN to be uploaded)</p>		<p><input type="checkbox"/> uploaded / <input type="checkbox"/> Not uploaded</p>
5	<p>GST Regn. No. (Declaration to be attached if Vendor is Exempted from paying GST. For such exempted vendor, Vendor cannot claim GST from BHEL, during the execution of the contract (if awarded) even if their status under GST changes to regular tax payer). (Copy of GST to be uploaded).</p>		<p><input type="checkbox"/> uploaded / <input type="checkbox"/> Not uploaded</p>

CONTRACTOR

Page 4 of 177

ACCEPTING OFFICER

Sl. No	Qualifying Criteria	Details	Status
6	Acceptance to Scope of work, Special and General Terms and Conditions of Contract. (Duly signed and sealed copy of tender document to be uploaded)	Details to be filled and documentary evidence to be uploaded in e-procurement portal	<input type="checkbox"/> uploaded / <input type="checkbox"/> Not uploaded
7	Annexure 1 - Details of PF & ESI Registration (if registration of EPF / ESI / Both (EPF & ESI) is/are not available, self-declaration as per the Annexure 1 is to be enclosed at the time of submission of the tender)		<input type="checkbox"/> uploaded / <input type="checkbox"/> Not uploaded
8	Annexure 2 - Local supplier self-declaration		<input type="checkbox"/> uploaded / <input type="checkbox"/> Not uploaded
9	Annexure 3 - Declaration for non-cartelization		<input type="checkbox"/> uploaded / <input type="checkbox"/> Not uploaded
10	Annexure 4 - E invoice Declaration		<input type="checkbox"/> uploaded / <input type="checkbox"/> Not uploaded
11	Annexure 5 - Declaration for Conflict of Interest		<input type="checkbox"/> uploaded / <input type="checkbox"/> Not uploaded
12	Annexure 6 - Offer Forwarding Letter		<input type="checkbox"/> uploaded / <input type="checkbox"/> Not uploaded
13	Annexure 7 - Declaration regarding Insolvency/ Liquidation/ Bankruptcy Proceedings		<input type="checkbox"/> uploaded / <input type="checkbox"/> Not uploaded
14	Annexure 8 - Declaration by Authorized Signatory		<input type="checkbox"/> uploaded / <input type="checkbox"/> Not uploaded
15	Annexure 9 - Declaration by Authorized Signatory regarding Authenticity of submitted Documents		<input type="checkbox"/> uploaded / <input type="checkbox"/> Not uploaded
16	Annexure 10 - Declaration for related Parties and their Actiites		<input type="checkbox"/> uploaded / <input type="checkbox"/> Not uploaded
17	Annexure 11 – Declaration for Relation in BHEL		<input type="checkbox"/> uploaded / <input type="checkbox"/> Not uploaded
18	Annexure 12 – Site Visit Certificate		<input type="checkbox"/> uploaded / <input type="checkbox"/> Not uploaded
19	Annexure 13 - No deviation & Declaration certificate		<input type="checkbox"/> uploaded / <input type="checkbox"/> Not uploaded
20	Annexure 14 – Integrity Pact		<input type="checkbox"/> uploaded / <input type="checkbox"/> Not uploaded

Note :

1.Bidders are requested to submit only the documents required to meet the pre-qualification criteria as per tender. Documents not relevant to tender pre-qualification criteria / tender shall not be enclosed along with the offer

2. Digitally signed / Self-attested copy of all the documents should be uploaded along with Tender. BHEL reserves the right to cross check the authenticity of credentials submitted by the vendor. If at any stage, the document(s) submitted by Contractor is / are found incorrect / False / Fake, then necessary action will be taken by BHEL against Contractor viz. legal, Contractual, BHEL Policy / Procedural Actions in whatsoever manner as deemed fit

D) DETAILS OF THE VENDOR TO BE FURNISHED

1	Sole Proprietorship	PAN / GST Registration	Details to be filled and documentary evidence to be uploaded in e-procurement portal	<input type="checkbox"/> uploaded / <input type="checkbox"/> Not uploaded
2	Partnership	Registered Partnership Deed / Pan copy of all the partners to be furnished		<input type="checkbox"/> uploaded / <input type="checkbox"/> Not uploaded
3	Private Limited Company / Public Limited Company / Public Sector / Govt. org	Certificate of Registration / Memorandum of Association & Articles of Association		<input type="checkbox"/> uploaded / <input type="checkbox"/> Not uploaded
4	E Format for "Acceptance for Electronic fund transfer/ RTGS Transfer"			<input type="checkbox"/> uploaded / <input type="checkbox"/> Not uploaded
5	Original cancelled cheque leaf (Applicable for New vendor)			<input type="checkbox"/> uploaded / <input type="checkbox"/> Not uploaded
6	Documentary proof for company / firm / proprietorship			<input type="checkbox"/> uploaded / <input type="checkbox"/> Not uploaded
7	Power of Attorney for signing tender (if applicable) – Annexure A2			<input type="checkbox"/> uploaded / <input type="checkbox"/> Not uploaded

FORMAT FOR EPF & ESI DECLARATION - TO BE FURNISHED IN LETTER HEAD

(To be given in Vendors Letter head if not possessing EPF / ESI / Both (EPF & ESI) at the time of submission of the tender)

To:

Sr Manager / CIVIL / PLANNING
Bharat Heavy Electricals Limited
Unit: Tiruverumbur
TIRUCHIRAPPALLI – 620 014.

Sir,

Sub: Declaration of EPF & ESI Submission – Reg.

At this time of submission of this tender **CF:TS:06:26-27** (Tender Schedule No) I/We, -----(Company Name) am / are not possessing the EPF / ESI / Both (EPF & ESI). I hereby declare that I will submit the EPF / ESI / Both (EPF&ESI) registration copy before placing of Work order / Commencement of Work. I / we am / are also aware that payment for work done will not be processed by BHEL without submission of EPF & ESI data paid to my / our employees engaged to the corresponding BHEL contract.

Thanking you,

Yours Truly,

For and On behalf of,

Company name & seal

Date:

Place:

Local Supplier Self-Declaration

Tender Schedule No.	CF:TS:06:26-27
----------------------------	-----------------------

In line with Government public procurement order Number P-45021/2/2017-B.E-II dated 15.06.2017, and further modified order dt. 28.05.2018 & 04.06.2020. I / We hereby declare that I / We are a “Local Supplier” meeting the requirement of minimum local content (.....%) defined in the above government notification for the goods/services/works against above mentioned enquiry Number.

Details of location at which local value addition will be made is as follows:

Door No.	
Street / Address 1	
Street / Address 2	
District	
State	
Country	
PIN Code	

We also understand that the false declarations will be considered as breach of Integrity and liable for action.

For Company Name:

Seal:

Signature:

Date:

Place:

(Please fill all the yellow color field)

Declaration for Non-Cartelization

To:

Sr Manager
CIVIL /PLANNING
Civil Township office,
BHEL, Trichy – 14.

Sir,

At this time of submission of this tender **CF:TS:06:26-27** / We, ----- (Company Name) declares that we will not enter into any illegal or undisclosed agreement or understanding, whether formal or informal with other Bidder(s). This applies in particular to prices, specifications, certifications, subsidiary contracts, submission or non-submission of bids or any other actions to restrict competitiveness or to introduce cartelization in the bidding process.

In case, I / We ----- (Company Name), am / are found having indulged in above activities, suitable action shall be taken by BHEL as per extant policies / guidelines.

Thanking you,

Yours Truly,
For and On behalf of,

Company name & seal

Date:

Place:

E- Invoice Declaration

To:

Sr Manager
CIVIL /PLANNING
Civil Township office,
BHEL, Trichy – 14.

Dear Sir,

Sub: Undertaking regarding Issuance of E-Invoice under GST Act

1. We hereby confirm that our Aggregate Turnover (i.e. *Turnover computed on All India basis with same PAN*) for GSTIN : _____ is less than 5 Crores & we are not mandated to issue E-Invoice (as per Rule No: 48 (4) of CGST Rules) w.e.f. 01/08/2023 as notified in Notification No: 10/2023-CT dated 10/05/2023 (*Principal Notification No: 13/2020-CT dated 21/03/2020*).

2. We hereby confirm that our Aggregate Turnover (i.e. *Turnover computed on All India basis with same PAN*) for GSTIN : _____ is more than 5 Crores & we are mandated to issue E-Invoice (as per Rule No: 48 (4) of CGST Rules) w.e.f. 01/08/2023 as notified in Notification No: 10/2023-CT dated 10/05/2023 (*Principal Notification No: 13/2020-CT dated 21/03/2020*).

Thanking you,

Yours Truly,
For and On behalf of,

Company name & seal

Date:

Place:

(Strike out whichever is not applicable)

(This undertaking should be issued in company letterhead & to be signed by Authorised Signatory.)

Conflict of Interest among Bidders/ Agents – Annexure - 5

(To be typed and submitted in the **Letterhead** of the Company/Firm of Bidder failing which the offer of Bidder is liable to be summarily rejected)

To,
Sr Manager
CIVIL /PLANNING
Civil Township office,
BHEL, Trichy – 14.

Dear Sir,
Sub: Declaration regarding Conflict of Interest

Ref: 1) Tender Enquiry No.: **CF:TS:06:26-27**

2) All other pertinent issues till date

Treatment of cases regarding conflict of interest:

The bidder notes that a conflict of interest would said to have occurred in the tender process and execution of the resultant contract, in case of any of the following situations:

- i. If its personnel have a close personal, financial, or business relationship with any personnel of BHEL who are directly or indirectly related to the procurement or execution process of the contract, which can affect the decision of BHEL directly or indirectly;
- ii. The bidder (or his allied firm) provided services for the need assessment/ procurement planning of the Tender process in which it is participating;
- iii. Procurement of goods directly from the manufacturers/ suppliers shall be preferred. However, if the OEM/ Principal insists on engaging the services of an agent, such agent shall not be allowed to represent more than one manufacturer/ supplier in the same tender. Moreover, either the agent could bid on behalf of the manufacturer/ supplier or the manufacturer/ supplier could bid directly but not both. In case bids are received from both the manufacturer/ supplier and the agent, bid received from the agent shall be ignored. However, this shall not debar more than one Authorized distributor (with/ or without the OEM) from quoting equipment manufactured by an Original Equipment Manufacturer (OEM) in procurements under a Proprietary Article Certificate.
- iv. A bidder participates in more than one bid in this tender process. Participation in any capacity by a Bidder (including the participation of a Bidder as a partner/ JV member or sub-contractor in another bid or vice-versa) in more than one bid shall result in the disqualification of all bids in which he is a party. However, this does not limit the participation of an entity as a sub-contractor in more than one bid if he is not bidding independently in his own name or as a member of a JV.

Declaration

I/We, hereby declares that I/we have read and understood the above aspects, and the I/we confirms that such conflict of interest does not exist and undertakes that I/we will not enter into any illegal or undisclosed agreement or understanding, whether formal or informal with other Bidder(s), in this regard. This applies in particular to prices, specifications, certifications, subsidiary contracts, submission or non-submission of bids or any other actions to restrict competitiveness or to introduce cartelization in the bidding process. **In case, the I am / We are found having indulged in above activities, the same will be considered as a violation of the tender conditions, and suitable action shall be taken by BHEL as per extant policies/ guidelines.**

Yours faithfully,
(Signature, Date & Seal of Authorized Signatory of the Bidder)

CONTRACTOR

Page **11** of **177**

ACCEPTING OFFICER

OFFER FORWARDING LETTER / TENDER SUBMISSION LETTER -
(To be typed and submitted in the **Letterhead** of the Company/Firm of Bidder)

Tender Schedule No :

Date:

To,

**Sr Manager
Civil Planning
Civil Township Office
BHEL,Trichy-14**

Dear
Sir,

Sub: Submission of Offer against Tender Schedule No **CF:TS:06:26-27**

Having examined the tender documents against your Tender EnquiryNo. **CF:TS:06:26-27** dated **08-06-2026** and having understood the provisions of the said tender documents and having thoroughly studied the requirements of BHEL related to the work tendered for, in connection with **Annual Maintenance contract for Structural works including Structural fabrication, erection painting, roof sheeting and FRP lining in BHEL - Trichy, Factory Complex**, we hereby submit our offer for the proposed work in accordance with terms and conditions mentioned in the tender documents, at the prices quoted by us and as per the scope of work and delivery schedule given in NIT.

Should our Offer be accepted by BHEL for Award, I/we further agree to furnish 'Performance Security' for the work as provided for in the Tender Conditions within the stipulated time as may be indicated by BHEL.

I/We further agree to execute all the works referred to in the said Tender documents upon the terms and conditions contained or referred to therein and as detailed in the appendices annexed thereto.

I/We have deposited herewith the requisite Earnest Money Deposit (EMD) as per details furnished in the Check List

Authorized Signatory

Signature:

Name:

Address:

Place:

Date:

**UNDERTAKI
NG**

(To be typed and submitted in the **Letterhead** of the Company/Firm of Bidder)

To,
Sr Manager
Civil Planning
Civil Township Office
BHEL,Trichy-14

Dear Sir/Madam,

Sub: DECLARATION REGARDING INSOLVENCY/ LIQUIDATION/ BANKRUPTCY PROCEEDINGS

Ref: Tender Schedule No: **CF:TS:06:26-27**

I/We,

declare that, I/We am/are not under insolvency resolution process or liquidation or Bankruptcy Code Proceedings (IBC) as on date, by NCLT or any adjudicating authority/authorities, which will render us ineligible for participation in this tender.

**Sign. of the AUTHORISED SIGNATORY
(With Name, Designation and Company seal)**

Place
:
Date:

**DECLARATION BY AUTHORISED SIGNATORY OF
BIDDER**

(To be typed and submitted in the **Letterhead** of the Company/Firm of Bidder)

To,

**Sr Manager
Civil Planning
Civil Township Office
BHEL,Trichy-14**

Dear Sir,

Sub: **Declaration by Authorized Signatory**

Ref: 1) Tender Schedule No: **CF:TS:06:26-27**

2) All other pertinent issues till date

I/We, hereby certify that all the information and data furnished by me with regard to the above Tender Specification are true and complete to the best of my knowledge. I have gone through the specifications, conditions, stipulations and all other pertinent issues till date, and agree to comply with the requirements and Intent of the specification.

I further certify that I am authorized to represent on behalf of my Company/Firm for the above mentioned tender and a valid Power of Attorney to this effect is also enclosed.

Yours faithfully,

(Signature, Date & Seal of Authorized
Signatory of the Bidder)

Date:

Enclosed: Power of Attorney

**DECLARATION BY AUTHORISED SIGNATORY OF
BIDDER**

(To be typed and submitted in the **Letterhead** of the Company/Firm of
Bidder)

To,

**Sr Manager
Civil Planning
Civil Township Office
BHEL,Trichy-14**

Dear Sir,

Sub: **Declaration by Authorized Signatory regarding Authenticity of submitted documents.**

Ref: 1) Tender Schedule No. **CF:TS:06:26-27**

2) All other pertinent issues till date

I/We, hereby certify that all the documents submitted by us in support of possession of “Qualifying Requirements” are true copies of the original and are fully compliant required for qualifying / applying in the bid and shall produce the original of same as and when required by Bharat Heavy Electricals Limited.

I/We hereby further confirm that no tampering is done with documents submitted in support of our qualification as bidder. I/ We understand that at any stage (during bidding process or while executing the awarded contract) if it is found that fake / false / forged bid qualifying / supporting documents / certificates were submitted, it would lead to summarily rejection of our bid / termination of contract. BHEL shall be at liberty to initiate other appropriate actions as per the terms of the Bid / Contract and other extant policies of Bharat Heavy Electricals Limited.

Yours faithfully,

**(Signature, Date & Seal of
Authorized Signatory of the
Bidder)**

Date:

DECLARATION

(To be typed and submitted in the **Letterhead** of the Company/Firm of Bidder)

Date: _____

To
Sr Manager
Civil Planning
Civil Township Office
BHEL,Trichy-14

Dear Sir/ Madam,

Sub: **Details of related firms and their area of activities**

Please find below details of firms owned by our family members that are doing business/ registered for same item with BHEL, (NA, if not applicable)

1	Material Category/ Work Description	
	Name of Firm	
	Address of Firm	
	Nature of Business	
	Name of Family Member	
	Relationship	
2	Material Category/ Work Description	
	Name of Firm	
	Address of Firm	
	Nature of Business	
	Name of Family Member	
	Relationship	
...		

Note: *I certify that the above information is true and I agree for penal action from BHEL in case any of the above information furnished is found to be false.*

**DECLARATION FOR RELATION IN
BHEL**

(To be typed and submitted in the **Letterhead** of the Company/Firm of Bidder failing which the offer of Bidder is liable to be summarily rejected)

**To
Sr Manager
Civil Planning
Civil Township Office
BHEL,Trichy-14**

Dear Sir,

Sub: Declaration for relation in BHEL

Ref: 1) Tender Scheule No : **CF:TS:06:26-27**

I/We hereby submit the following information pertaining to relation/relatives of Proprietor/Partner(s)/ Director(s) employed in BHEL

Tick (√)anyoneasapplicable:

1. The Proprietor, Partner(s), Director(s) of our Company/Firm DO NOT have any relation or relatives employed in BHEL

OR

2. The Proprietor, Partner(s), or Director(s) of our Company/Firm HAVE relation/relatives employed in BHEL and their particulars are as below:

i.

ii.

**(Signature, Date & Seal of
Authorized Signatory of the
Bidder)**

Note:

1. Attach separate sheet, if necessary.
2. If BHEL Management comes to know at a later date that the information furnished by the Bidder is false, BHEL reserves the right to take suitable against the Bidder/Contractor.

CONTRACTOR

Page **17** of **177**

ACCEPTING OFFICER

DECLARATION CONFIRMING KNOWLEDGE ABOUT SITE CONDITIONS

(SITE VISIT CERTIFICATE)

(To be typed and submitted in the Letter Head of the Company/Firm of Bidder)

To
Sr Manager
Civil Planning
Civil Township Office
BHEL,Trichy-14

Dear Sir,

Sub: Declaration confirming knowledge about Site conditions (BHEL Trichy)

Ref: 1) Tender Schedule No : **CF:TS:06:26-27**

I/We, _____ hereby declare and confirm that we have visited the Site / premises (BHEL Trichy) as referred in BHEL Tender Specifications and acquired full knowledge and information about the Site conditions including Wage structure, Industrial Climate, the Law & Order and other conditions prevalent at and around the Site and completely aware of the nature and quantum work. We further confirm that the above information is true and correct and we shall not raise any claim of any nature due to lack of knowledge of Site conditions.

I/We, hereby offer to carry out work as detailed in above mentioned Tender Specification, in accordance with Terms & Conditions thereof.

Yours faithfully,

(Signature, Date & Seal of Authorized Representative of the Bidder)

Date:

Place:

The above mentioned bidder has visited the site to assess the scope of work.

(Executive / BHEL, Trichy-14)

No deviation and Declaration to be given by vendor in vendor's letter head

Tender Schedule No: CF:TS:06:26-27

We, the vendor, do hereby declare that we do not have any deviations to the tender terms and conditions as per

1. Technical Bid-Qualifying Criteria-Price bid
2. Special and General terms & Conditions of Contract

We have gone through all the tender terms and conditions; we have noted down the job content & site conditions. We have quoted our offer for all items by taking care of unit of measurement given in the Bill of quantities against individual items. In the event of observance of any deviation in any part of our offer at a later date whether implicit or explicit, the deviations shall stand null & void. We assure that no tampering was done to any part of tender document by us and if otherwise will lead to rejection of our bid. We confirm to have submitted our offer strictly in accordance with tender instructions.

We also hereby confirm the following points with ref to the above works, if ordered on us:

1. We do hereby confirm that we will pay (i) at least the minimum wages (minimum basic wages + minimum DA) to all the persons engaged (Un Skilled / Semi-Skilled / Skilled /Supervisor category) by us in the above contract as per the Tamilnadu Government Minimum Wages Act - 1948 & also as per any revisions made by the State Govt. from time to time and (ii) Bonus as per the Bonus Act-1965 along with Wage.
2. ESI, PF & Bonus (both Employer and Employee contributions) amounts are to be remitted for total wages to be paid as mentioned in (i) & (ii) of point 1 and challans to be produced along with invoices for all the respective persons engaged in the above contract.
3. The quoted amount in this tender will remain firm throughout the entire Contract period and no extra payment against service charges will be claimed from BHEL under any circumstances from our end.
4. We, the contractor, will disburse the salary/wages to all the persons engaged in the contract ONLY through nationalized banking channel in their respective accounts & the relevant Bank statement / proof for Bank payment will also be produced along with PF and ESI challans to the Welfare Section every month for processing our invoices for payment.
5. We will pay the previous month salary in full to our employees before 7th of every month and will not adjust any advance / loan / repayment due by the employee to us.
6. All the payments to the persons engaged in the contract will be paid ONLY through nationalized bank. No other mode of payment (hand payment / account transfer as advance payment or any other) is acceptable as salary.
7. In case we fail to pay the minimum wages to all the persons engaged in the contract which includes Minimum wages with ESI and PF (Employer contributions) for every month including Bonus, BHEL has the right to recover from the outstanding payments to us either under this Contract or in any other Contract(s) or from Security Deposit or from both. In case this amount is insufficient for such recoveries, we shall make good the balance amount by actual payment. In addition, BHEL, Trichy may recover the said amounts through other running contracts from BHEL's sister units.
8. We also confirm to all the Terms & Conditions as per your above referred Enquiry & as per our offer submitted against the same.
9. We also declare that, we have not been suspended or black listed or issued with Show Cause Notice by BHEL Trichy-14 or any other BHEL Unit or any PSU / Government organization.

INTEGRITY PACT

Between

Bharat Heavy Electricals Ltd. (BHEL), a company registered under the Companies Act 1956 and having its registered office at "BHEL House", Siri Fort, New Delhi - 110049 (India) hereinafter referred to as "The Principal", which expression unless repugnant to the context or meaning hereof shall include its successors or assigns of the ONE PART

And

_____, (description of the party along with address), hereinafter referred to as "The Bidder/ Contractor" which expression unless repugnant to the context or meaning hereof shall include its successors or assigns of the OTHER PART

Preamble

The Principal intends to award, under laid-down organizational procedures, contract/s for the work **"Annual Maintenance contract for Structural works including Structural fabrication, erection painting, roof sheeting and FRP lining in BHEL - Trichy, Factory Complex"** (hereinafter referred to as "Contract"). The Principal values full compliance with all relevant laws of the land, rules and regulations, and the principles of economic use of resources, and of fairness and transparency in its relations with its Bidder(s)/ Contractor(s).

In order to achieve these goals, the Principal will appoint panel of Independent External Monitor(s) (IEMs), who will monitor the tender process and the execution of the contract for compliance with the principles mentioned above.

Section 1- Commitments of the Principal

- 1.1 The Principal commits itself to take all measures necessary to prevent corruption and to observe the following principles: -
 - 1.1.1 No employee of the Principal, personally or through family members, will in connection with the tender for, or the execution of a contract, demand, take a promise for or accept, for self or third person, any material or immaterial benefit which the person is not legally entitled to.
 - 1.1.2 The Principal will, during the tender process treat all Bidder(s) with equity and reason. The Principal will in particular, before and during the tender process, provide to all Bidder(s) the same information and will not provide to any Bidder(s) confidential/ additional information through which the Bidder(s) could obtain an advantage in relation to the tender process or the contract execution.
 - 1.1.3 The Principal will exclude from the process all known prejudiced persons.
- 1.2 If the Principal obtains information on the conduct of any of its employees which is a penal offence under the Bharatiya Nyaya Sanhita (BNS) 2023 and Prevention of Corruption Act 1988 or any other statutory penal enactment, or if there be a substantive suspicion in this regard, the Principal will inform its Vigilance Office and in addition can initiate disciplinary actions.

Section 2 - Commitments of the Bidder(s)/ Contractor(s)

- 2.1 The Bidder(s)/ Contractor(s) commit himself to take all measures necessary to prevent corruption.—The Bidder(s)/ Contractor(s) commits himself to observe the following principles during participation in the tender process and during the contract execution.
 - 2.1.1 The Bidder(s)/ Contractor(s) will not, directly or through any other person or firm, offer, promise or give to the Principal or to any of the Principal's employees involved in the tender process or the execution of the contract or to any third person any material, immaterial or any other benefit which he/ she is not legally entitled to, in order to obtain in exchange any advantage of any kind whatsoever during the tender process or during the execution of the contract.
 - 2.1.2 The Bidder(s)/ Contractor(s) will not enter with other Bidder(s) into any illegal or undisclosed agreement or understanding, whether formal or informal. This applies in particular to prices, specifications, certifications, subsidiary contracts, submission or non-submission of bids or any other actions to restrict competitiveness or to introduce cartelization in the bidding process.
 - 2.1.3 The Bidder(s)/ Contractor(s) will not commit any penal offence under the relevant Bharatiya Nyaya Sanhita (BNS) and Prevention of Corruption Act; further the Bidder(s)/ Contractor(s) will not use improperly, for purposes of competition or personal gain, or pass on to others, any information or document provided by the Principal as part of the business relationship, regarding plans, technical proposals and business details, including information contained or transmitted electronically.
 - 2.1.4 Foreign Bidder(s)/ Contractor(s) shall disclose the name and address of agents and representatives in India and Indian Bidder(s)/ Contractor(s) to disclose their foreign principals or associates. The Bidder(s)/ Contractor(s) will, when presenting his bid, disclose any and all payments he has made, and is committed to or intends to make to agents, brokers or any other intermediaries in connection with the award of the contract.
- 2.2 The Bidder(s)/ Contractor(s) will not instigate third persons to commit offences outlined above or be an accessory to such offences.
- 2.3 The Bidder(s)/ Contractor(s) shall not approach the Courts while representing the matters to IEMs and shall await their decision in the matter.

Section 3 - Disqualification from tender process and exclusion from future contracts

If the Bidder(s)/ Contractor(s), before award or during execution has committed a transgression through a violation of Section 2 above, or acts in any other manner such as to put his reliability or credibility in question, the Principal is entitled to disqualify the Bidder(s)/ Contractor(s) from the tender process , terminate the contract, if already awarded, exclude from future business dealings and/ or take action as per the separate "Guidelines on Banning of Business dealings with Suppliers/ Contractors", framed by the Principal.

Section 4 - Compensation for Damages

- 4.1 If the Principal has disqualified the Bidder (s) from the tender process before award / order acceptance according to Section 3, the Principal is entitled to demand and recover the damages equivalent to Earnest Money Deposit/ Bid Security.
- 4.2 If the Principal is entitled to terminate the Contract according to Section 3, or terminates the Contract in application of Section 3 above , the Bidder(s)/ Contractor (s) transgression through a violation of Section 2 above shall be construed breach of contract and the Principal shall be-entitled to demand and recover from the Contractor an amount equal to 5% of the contract value or the amount equivalent to Security Deposit/ Performance Bank Guarantee , whichever is higher, as damages, in addition to and without prejudice to its right to demand and recover compensation for any other loss or damages specified elsewhere in the contract.

Section 5 - Previous Transgression

- 5.1 The Bidder declares that no previous transgressions occurred in the last 3 (three) years (to be reckoned from date of bid submission) with any other company in any country conforming to the anti-corruption approach in India that could justify his exclusion from the tender process. The date of such transgression, for the purpose of disclosure by the bidders in this regard, would be the date on which cognizance of the said transgression was taken by the competent authority. The transgression(s), for which cognizance was taken even before the said period of three years, but are pending conclusion, shall also be reported by the bidders.
- 5.2 If the Bidder makes incorrect statement on this subject, he can be disqualified from the tender process or the contract, if already awarded, can be terminated for such reason or action can be taken as per the separate "Guidelines on Banning of Business dealings with Suppliers/ Contractors", framed by the Principal.

Section 6 - Equal treatment of all Bidder (s)/ Contractor (s) / Sub-contractor (s)

- 6.1 The Principal will enter into Integrity Pacts with identical conditions as this Integrity Pact with all Bidders and Contractors.
- 6.2 In case of a joint venture, all the partners of the joint venture should sign the Integrity Pact. In case of Sub-contracting, the Principal Contractor shall be solely responsible for the adherence to the provisions of IP by the sub-contractor(s).
- 6.3 The Principal will disqualify from the tender process all Bidders who do not sign this Integrity Pact or violate its provisions.

Section 7 - Criminal Charges against violating Bidders/ Contractors /Subcontractors

If the Principal obtains knowledge of conduct of a Bidder, Contractor or Subcontractor, or of an employee or a representative or an associate of a Bidder, Contractor or Subcontractor which constitutes corruption, or if the Principal has substantive suspicion in this regard, the Principal will inform the Vigilance Office.

Section 8 -Independent External Monitor(s)

- 8.1 The Principal appoints competent and credible panel of Independent External Monitor (s) (IEMs) for this Integrity Pact. The task of the IEMs is to review independently and objectively, whether and to what extent the parties comply with the obligations under this Integrity Pact on receipt of any complaint by them from the bidder(s).
- 8.2 The IEMs are not subject to instructions by the representatives of the parties and performs his functions neutrally and independently. He reports to the CMD, BHEL.
- 8.3 The IEMs shall be provided access to all documents/ records pertaining to the Contract, for which a complaint or issue is raised before them as and when warranted. However, the documents/records/information having National Security implications and those documents which have been classified as /Top Secret are not to be disclosed.
- 8.4 The Principal will provide to the IEMs sufficient information about all meetings among the parties related to the Contract provided such meetings could have an impact on the contractual relations between the Principal and the Contractor. The parties offer to the IEMs the option to participate in such meetings.
- 8.5 The role of IEM is advisory and the advice of IEM is non- binding on the Organization. However, as IEMs are invariably persons with rich experience who have retired as senior functionaries of the government, their advice would help in proper implementation of the IP.
- 8.6 For ensuring the desired transparency and objectivity in dealing with the complaints arising out of the tendering process, the matter should be examined by the full panel of IEMs jointly, who would look into the records, conduct an examination, and submit their joint recommendations to the Management. In case the full panel is not available due to some unavoidable reasons, the available IEM(s) will conduct examination of the complaints. Consent of the IEM(s), who may not be available, shall be taken on record.
- 8.7 The IEMs shall examine all the representations/grievances/ complaints received by them from the bidders or their authorized representative related to any discrimination on account of lack of fair play in modes of procurement and bidding systems, tendering method, eligibility conditions, bid evaluation criteria, commercial terms & conditions, choice of technology/ specifications etc.
- 8.8 The CMD, BHEL shall decide the compensation to be paid to the IEMs and its terms and conditions.
- 8.9 IEMs should examine the process integrity, they are not expected to concern themselves with fixing of responsibility of officers. Complaints alleging mala fide on the part of any officer of the Principal should be looked into by the CVO of the Principal.
- 8.10 If the IEMs have reported to the CMD, BHEL, a substantiated suspicion of an offence under relevant Bharatiya Nyaya Sanhita (BNS)/ Prevention of Corruption Act, and the CMD, BHEL has not, within reasonable time, taken visible action to proceed against such offence or reported it to the Vigilance Office, the IEMs may also transmit this information directly to the Central Vigilance Commissioner, Government of India.

- 8.11 After award of work, the IEMs shall look into any issue relating to execution of Contract, if specifically raised before them. As an illustrative example, if a Contractor who has been awarded the Contract, during the execution of Contract, raises issue of delayed payment etc. before the IEMs, the same shall be examined by the panel of IEMs.
- 8.12 However, the IEMs may suggest systemic improvements to the management of the Principal, if considered necessary, to bring about transparency, equity and fairness in the system of procurement.
- 8.13 The word 'Monitor' would include both singular and plural.

Section 9 - Pact Duration

- 9.1 This Integrity Pact shall be operative from the date this Integrity Pact is signed by both the parties. Any violation of the same would entail disqualification of the bidders and exclusion from future business dealings.
- 9.2 If any claim is made/ lodged during currency of this Integrity Pact, the same shall be binding and continue to be valid despite the lapse of this Pact as specified above, unless it is discharged/ determined by the CMD, BHEL.

Section 10 - Other Provisions

- 10.1 This Integrity Pact is subject to Indian Laws and exclusive jurisdiction shall be of the competent Courts as indicated in the Tender or Contract, as the case may be.
- 10.2 Changes and supplements as well as termination notices need to be made in writing.
- 10.3 If the Bidder(s)/ Contractor(s) is a partnership or a consortium or a joint venture, this Integrity Pact shall be signed by all partners of the partnership or joint venture or all consortium members.
- 10.4 Should one or several provisions of this Integrity Pact turn out to be invalid, the remainder of this Integrity Pact remains valid. In this case, the parties will strive to come to an agreement to their original intentions.
- 10.5 Only those bidders / contractors who have entered into this Integrity Pact with the Principal would be competent to participate in the bidding. In other words, entering into this Integrity Pact would be a preliminary qualification.

10.6 In the event of any dispute between the Principal and Bidder(s)/ Contractor(s) relating to the Contract, in case, both the parties are agreeable, they may try to settle dispute through Mediation before the panel of IEMs in a time bound manner. If required, the Principal may adopt any mediation rules for this purpose. However, not more than five meetings shall be held for a particular dispute resolution. The fees/expenses on dispute resolution shall be equally shared by both the parties. In case, the dispute remains unresolved even after mediation by the panel of IEMs, either party may take further action as the terms & conditions of the Contract.

For & On behalf of the Principal
Contractor
(Office Seal)

For & On behalf of the Bidder/

(Office Seal)

Place _____
Date _____

Witness: _____
Witness: _____
(Name & Address) _____

(Name & Address)

Clause on IP in the tender

Integrity Pact (IP)

(a) IP is a tool to ensure that activities and transactions between the Company and its Bidders/ Contractors are handled in a fair, transparent and corruption free manner. Following Independent External Monitors (IEMs) on the present panel have been appointed by BHEL with the approval of CVC to oversee implementation of IP in BHEL.

SI	IEM	Email
1.	Dr. Sarat Kumar Acharya, Ex-CMD, NLC	iem1@bhel.in
2.	Shri R. Mukundan, IRPS (Retd.)	iem2@bhel.in
3.	Shri Madan Lal Meena, IAS (Retd.)	iem3@bhel.in

(b) The IP as enclosed with the tender is to be submitted (duly signed by authorized signatory) along with techno-commercial bid (Part-I, in case of two/ three part bid). Only those bidders who have entered into such an IP with BHEL would be competent to participate in the bidding. In other words, entering into this Pact would be a preliminary qualification.

(c) Please refer Section-8 of IP for Role and Responsibilities of IEMs. In case of any complaint arising out of the tendering process, the matter may be referred to the panel of IEMs. All correspondence with the IEMs shall be done through email only.

Note:

No routine correspondence shall be addressed to the IEM (phone/ post/ email) regarding the clarifications, time extensions or any other administrative queries, etc on the tender issued. All such clarification/ issues shall be addressed directly to the tender issuing (procurement) department's officials whose contact details are provided below:

Details of contact person(s):

(1)
Name: _____
Deptt: _____
Address: _____
Phone: (Landline/ Mobile)

Email: _____
Fax: _____

(2)
Name: _____
Deptt: _____
Address: _____
Phone: (Landline/ Mobile)

Email: _____
Fax: _____

EMD through E-collect (Bank payment)

This explains how to make Payments to BHEL - Tiruchirappalli and through SBI-E-collect. Vendors (EMD and SD Payments payable by others) can utilize this facility. payments can be made using Internet Banking, Debit Cards / Credit Cards etc. SBI Charges a minimum amount (Service Charges) for every transaction. This may vary according to the MODE selected.

This explains how to make Payments to BHEL - Tiruchirappalli and through SBI-E-collect. Vendors (EMD and SD Payments payable by others) can utilize this facility. payments can be made using Internet Banking, Debit Cards / Credit Cards etc. SBI Charges a minimum amount (Service Charges) for every transaction. This may vary according to the MODE selected.

STEP BY STEP PROCEDURE:

Go To <https://onlinesbi.sbi.bank.in/sbicollect/>

1. Search for “BHEL” and Select “BHEL TRICHY”
2. In the next page, Select APPROPRIATE category, fill details correctly & click “NEXT”.
3. Make payment as per your convenience. (Options available are payment of fees through SBI Net Banking, State Bank ATM cum Debit Cards / Other Bank Debit / Credit Cards and through SBI Branches).
4. Save & Keep the copy of receipt for future reference.

**POWER OF ATTORNEY for SUBMISSION OF
TENDER**

(To be typed on **non-judicial stamp paper** of minimum Rs. 100/- and
Notarized)

KNOW ALL MEN BY THESE PRESENTS, that I/We do hereby make, nominate, constitute and appoint Mr.
....., whose signature given below herewith to be true and lawful
Attorney of M/s..... hereinafter called 'Company', for submitting
Tender/entering into Contract and inter alia, sign, execute all papers and to do necessary lawful acts on behalf
of Company with M/s Bharat Heavy Electricals Ltd, Central Procurement Cell (CPC), in connection
with.....
.....vide Tender EnquiryNo: _____, dated _____.

And the Company do hereby agree to ratify and confirm all acts, deeds, things or proceedings as may be
lawfully done by the said attorney and by or on behalf of the company and in the name of the company,
by virtue of the powers conferred herein and the same shall be binding on the company and shall have full
force and effect.

IN WITNESS WHEREOF, the common seal of the company has been hereunto affixed in the manner
hereinafter appearing on the document.

Dated at _____, this _____ day of

Director/CMD/Partner/Proprietor

Signature of Mr. (Attorney)

Attested by: Director/CMD/Partner/Proprietor

Witness 1

Witness 2

Notary Public

(Please note that the Person issuing Power of Attorney shall possess the authority / authorisation to
issue such Power of Attorney. Articles of Association / Board Resolution / Partnership Deed Shall
be submitted along with the POA in support of the POA)

E FORMAT
 THE PURCHASE/CONTRACT EXECUTING AGENCY/BHEL
ACCEPTANCE FOR ELECTRONIC FUND TRANSFER / RTGS TRANSFER

01	Name & Address of the Supplier / Sub-contractor	
02	VENDOR CODE assigned by BHEL	
	Details of Bank Account:	
03	NAME & ADDRESS OF THE BANK	
04	NAME OF THE BRANCH	
05	BRANCH CODE	
06	MICR CODE	<input type="text"/> <input type="text"/> <input type="text"/> <input type="text"/> <input type="text"/> <input type="text"/> <input type="text"/> <input type="text"/> <input type="text"/> <input type="text"/>
07	ACCOUNT NUMBER	
08	TYPE OF ACCOUNT	CURRENT A/C / OD / CASH CREDIT
09	BENEFICIERY'S NAME	
10	IFSC CODE OF THE BRANCH	<input type="text"/> <input type="text"/> <input type="text"/> <input type="text"/> <input type="text"/> <input type="text"/> <input type="text"/> <input type="text"/> <input type="text"/> <input type="text"/>
11	PAN	
12	EMAIL ID	
13	TELEPHONE/MOBILE NO.	

CERTIFICATE

I / We hereby agree to receive the payments due from BHARAT HEAVY ELECTRICALS LIMITED by the National Electronic Funds Transfer and/or RTGS Transfer mode by credit to my / our above mentioned Bank Account. I / We also agree that payments made to the above mentioned Account is a valid discharge of the liability of Bharat Heavy Electricals Limited. I / We also agree to bear the applicable Bank Charges for the above mode of transfer. **A copy of the cheque leaf / cancelled cheque leaf of the above account is sent herewith.**

AUTHORISED SIGNATORY WITH NAME SEAL

Banker's Certification

We confirm that we are enabled for receiving RTGS and NEFT credits and we further confirm that the account number of _____ (name of account holder), the signature of the authorized signatory and the MICR and IFSC codes of our Branch mentioned above are correct.

PLACE: _____ **(Manager / Officer's)**
DATE : _____ **Signature Under Bank stamp and Name Seal**
With Membership No. _____ **(Telephone / Mobile No.)**

Forwarded to Accounts Dept.

We confirm the above details are verified with the records available with us.

Signature of the BHEL Executive with Name Seal (Operating the Contract/Services)

SIGNATURE OF THE APPLICANT

CONTRACTOR

Page 29 of 177

ACCEPTING OFFICER

SECTION 2 - PREAMBLE

1. The scope of work includes Annual Maintenance contract for Structural works including Structural fabrication, erection painting, roof sheeting and FRP lining in BHEL - Trichy, Factory Complex. The brief description of items of work is given in the bill of quantities provided in the Price Bid.
2. This tender works will be awarded to maximum of THREE contractors only and the condition of distribution will be as per the table given below. The offer to Tenders to accept L1 rate will be in the order of the value quoted by them, Lower to Higher, i.e. L2, L3, L4 etc. and H1 will not be considered for counter offering

No. of L1 vendors	No. of Counter-offer accepted vendors	Splitting Ratio		
		1	2	L1 : V2 : V3
	1	L1 : V2	::	60 : 40
	0	L1	::	100

In case of tie in L2 status while counteroffering L-2 bidder shall be decided by a toss / draw of lots, in the presence of the L-2 bidder(s) or their representative(s). Ranking will be done accordingly. BHEL's decision in such situations shall be final and binding

Note: In the table above, V2, V3, ... refers to the next lowest bidder accepting L1 rate.

The work is split into number of sub works and sub work orders will be issued to each sub work. Though the period of contract is 15 Months, each sub work must be completed before its completion period as mentioned in its sub work order. Otherwise LD will be applied as per special conditions for contracts for annual maintenance contracts attached herewith

3. Time is the essence of the contract. Being a time bound works, the contractor should make all efforts to complete the work in time. Even though the overall completion period is indicated in the tender, works shall be completed progressively as per the completion time given in the sub work orders and handed over as per agreed schedule.
4. The tender value excludes cost of Cement, reinforcement steel and structural steel, which will be supplied by BHEL at Stores at free of cost as indicated in "Schedule" of the Tender document.
5. Tender Value is only approximate and liable for variation without entitling the tenderer to any compensation, till the total value of contract does not vary more than 30%. The contractor has to execute any item of work irrespective of the quantity available in the tender without any reservation till the contract value does not vary more than 30%.
6. **Quoted percentage/rate for all items shall be firm throughout the contract period including extended period if any and no cost escalation is allowed on any account.** Some changes are likely in the quantities furnished as well as specifications of the work. The rates quoted shall be deemed to be inclusive of all such contingencies.
7. **Taxes & Duties:**
The percentage rate offered is for finished item of works and shall provide for the complete cost towards fuel, tools, tackles, plant & machinery, temporary works, labour, materials, levies, taxes, transport, layout, repairs, rectifications, maintenance till handing over, supervision, establishment, services, revenue expenses, overheads, profits & all other incidentals etc., complete Rate quoted shall include all royalties, terminal taxes, Octroi duties, and any other taxes leviable under the State or Central Government rules. The Bharat Heavy Electricals Ltd., will not entertain any claim whatever in this respect.

8. **The percentage / rate quoted shall not include applicable GST.**
9. Response to Tenders will be entertained only if the contractor has a valid GST registration number which should be clearly mentioned in the offer. The Contractor shall mention their GST registration number in all their invoices and invoices shall be in the format as specified/prescribed under GST laws. Invoices shall necessarily contain Invoice number (in case of multiple numbering system is being followed for billing like SAP invoice no, commercial invoice no etc., then the Invoice No which is linked/uploaded in GSTN network shall be clearly indicated), item description as per PO, Quantity, Rate, Value, applicable taxes with nomenclature (like IGST, SGST, CGST & UTGST) separately, HSN / SAC Code, etc. All invoices shall bear the SAC code (Services Accounting Code) & HSN Code (if applicable) for each item separately (Harmonized System of Nomenclature).

Payment shall be effected only after submission of declaration to the effect that all invoice particulars are/were uploaded in the GSTN network/ portal & All tax liability as per GST rules and regulations have been and will be discharged, shall be mentioned in the invoice. If it is not mentioned in the invoice a separate declaration shall be submitted as per the requirement of BHEL.

10. All documents like Work completion certificate and any other document mentioned in PO, shall be submitted. For all works executed within the calendar month, input credit will be availed within that month in line with monthly returns filing cycle (if Input Tax Credit is applicable). In case of any discrepancy in the document or non-submission of documents mentioned in the PO, then BHEL will not be able to accept or account the works executed, in such case availing of tax credit will be deferred to next month or so.
11. In case of discrepancy in the data uploaded by contractor in the GSTN portal or in case of any shortages or rejection in the works executed, then BHEL will not be able to avail the tax credit (if Input Tax Credit is applicable) and will notify the Contractor of the same. The Contractor has to rectify the data discrepancy in the GSTN portal or issue credit note (details to be uploaded in GSTN portal) for the shortages or rejections, within the calendar month notified by BHEL.
12. For any such delay in availing of tax credit for reasons attributable to the Contractor (as mentioned above), interest (calculated @ SBI Base Rate + 6%) along with penalty if any will be deducted for the delayed period i.e. from the month of receipt till the month tax credit is availed, from the running bills.
13. **All taxes and duty other than GST & GST Cess**
The contract price shall be inclusive of all (save the specific exclusions as enumerated in this contract) taxes, fees, license charges, deposits, duties, tools, royalty, Octroi, commissions or other charges which may be levied on the input goods consumed and output goods delivered in the course of Works Contract. In case BHEL is forced to pay any of such taxes, BHEL shall have the right to recover the same from the contractors bills or otherwise as deemed fit.
14. **Goods and service Tax (GST) & Cess**
The following conditions will apply and supplier shall fully comply to the below points.

Indigenous suppliers:

- i. Response to Tenders for Indigenous supplier will be entertained only if the vendor has a valid GST registration No (GSTIN) which should be clearly mentioned in the offer. If the dealer is exempted from GST registration, a declaration with due supporting documents need to be furnished for considering the offer. Dealers under composition scheme should declare that he is a composition dealer supported by the screen shot taken from GST portal. The unregistered dealer as well as the

composition dealer has to submit an undertaking stating that they will not claim GST during the execution of the contract even if their status under GST changes to regular tax payer.

- ii. Supplier shall mention their GSTIN in all their invoices (incl. credit Notes, Debit Notes) and invoices shall be in the format as specified/prescribed under GST laws. Invoices shall necessarily contain Invoice number (in case of multiple numbering system is being followed for billing like SAP invoice no, commercial invoice no etc., then the Invoice No. which is linked/uploaded in GSTN network shall be clearly indicated), Billed to party (with GSTIN) & Shipped to party details, item description as per PO, Quantity, Rate, Value, applicable taxes with nomenclature (like IGST, SGST, CGST & UTGST) separately, HSN/ SAC Code, Place of Supply etc.
 - iii. All invoices shall bear the HSN Code for each item separately (Harmonized System of Nomenclature)/ SAC code (Services Accounting Code).
 - iv. Invoices will be processed only upon completion of statutory requirement and further subject to following:
 - a. Vendor declaring such invoice in Form GST ANX-1
 - b. Receipt of Goods or Services and Tax invoice by BHEL
 - v. As the continuous uploading of tax invoices in GSTN portal (in GST ANX-1) is available for all (i.e. both Small & Large) tax payers under proposed new GST Return System, all invoices raised on BHEL may be uploaded immediately in GST portal on despatch of material /rendering of services. The supplier shall ensure availability of Invoice in GST portal before submission of invoice to BHEL. Invoices will be admitted by BHEL only if the invoices are available in GSTN portal (in BHEL's GST ANX-2).
 - vi. In case of discrepancy in the data uploaded by the supplier in the GSTN portal or in case of any shortages or rejection in the supply, then BHEL will not be able to avail the tax credit and will notify the supplier of the same. Supplier has to rectify the data discrepancy in the GSTN portal or issue credit note or debit note (details also to be uploaded in GSTN portal) for the shortages or rejections in the supplies or additional claims, within the calendar month informed by BHEL.
 - vii. In cases where invoice details have been uploaded by the vendor but failed to remit the GST amount to GST Department (Form PMT-08 or Form GST RET-01 to be submitted) within stipulated time, then GST paid on the invoices pertaining to the month for which GST return not filed by the vendor will be recovered from the vendor along with the applicable interest and all subsequent bills of the vendor will not be processed till filing of the GST return by the vendor
 - viii. In case GST credit is denied to BHEL due to non-receipt or delayed receipt of goods and/ or tax invoice or expiry of timeline prescribed in GST law for availing such ITC, or any other reasons not attributable to BHEL, GST amount claimed in the invoice shall be disallowed to the vendor.
 - ix. Where any GST liability arising on BHEL under Reverse Charge (RCM), the vendor has to submit the invoices to BHEL well within the timeline prescribed in GST Law, to enable BHEL to discharge the GST liability. If there is a delay in submission of invoice by the vendor resulting in delayed payment of GST by BHEL along with Interest, then such Interest payable or paid shall be recovered from the vendor.
15. The tenderers are advised to visit BHEL at Tiruchirappalli and get themselves acquainted with the site conditions before submitting the offer. Submission of Site Visit Certificate along with the offer is mandatory

16. Usually, working hours are limited to day time only. In emergency cases to carryout works during nights, it may be done so with the specific prior permission of BHEL. In such case, it is to be carried out in the presence of BHEL officials or their authorized persons.
17. The work shall be carried out as per drawings released then and there, AWS / BIS specifications, standard code of practice and as per the instructions of Engineer-in-charge.
18. For any item of work not covered in Bill of Quantities, the rate will be arrived at based on the conditions given in BHEL General Conditions of Contract in force.
19. The percentage rate offered is for finished item of works and shall provide for the complete cost fuel, tools, tackles, plant & machinery, temporary works, labour, levies, taxes, transport, lay-out, repairs, rectifications, maintenance till handing over, supervision, labour colony Establishment, services, revenue expenses, overheads, profits & all other incidentals etc., complete.
20. **New Taxes / Levies**
In case the Government imposes any new levy / tax on the output service / goods / work after award of the contract, the same shall be reimbursed by BHEL at actual. In case any new tax / levy / duty etc. becomes applicable after the date of Bidder's offer, the Bidder / Contractor must convey its impact on his price duly substantiated by documentary evidence in support of the same **before opening of Price Bid**. Claim for any such impact after opening the Price Bid will not be considered by BHEL for reimbursement of tax or reassessment of offer.
21. For any clarification on the tender document, the bidder may seek the same in writing or through email, as per specified format, within the scheduled date for seeking clarification, from the office of the undersigned. BHEL shall not be responsible for receipt of queries after due date of seeking clarification due to postal delay or any other delays. Any clarification / query received after last date for seeking clarification may not be normally entertained by BHEL and no time extension will be given.
22. The contractor should bring the construction earth moving machineries like Road Roller, Exacavtor etc., as and when required for the work without any delay. Also required number of the following tools & Plants / instruments shall be made available at site for the works as and when required.
 - i. Precise Leveling instruments and theodolite.
 - ii. Inter carting vehicle (tractor, hand trolley etc)
 - iii. Mobile crane
 - iv. Welding Machines
23. In the event of any conflict between requirement of any clause of this specification / documents / drawings / data sheets etc. or requirements of different codes/standards specified, the same to be brought to the knowledge of BHEL in writing for clarification before due date of seeking clarification (whichever is applicable), otherwise, interpretation by BHEL shall prevail. Any typing error / missing pages / other clerical errors in the tender documents, noticed must be pointed out before submission of offer, else BHEL's interpretation shall prevail.
24. **Payment Terms:**
No advance / mobilization advance will be given and the part-payment or advance for raw materials brought by the successful tenderer will not be paid. The payment for the finished items of works only will be paid after incorporating the required raw materials into the work, if any.

25. **PVC & ORC:**
PVC & ORC are not applicable for this tender.
26. The decision of Engineer-in-charge shall be final and binding on the contractor regarding clarification of items in this tender schedule.
27. Documentary evidences (Self-attested) for all the above qualification norms like works experience, ESI, EPF, PAN, GST and IT returns for the last three years etc..., all as required & indicated in the tender document should be furnished, without which it will not be taken into account. The tenderers shall produce original document for verification if so decided by BHEL.
28. The contractor may be required to undertake works at remote places and in such cases the contractor should make own arrangement for safety of BHEL materials, water required for the work and power etc. without extra claim from BHEL.
29. The contractor has to carry out the work in production shops without affecting the production by planning such work on holidays / obtaining proper shut down.
30. The works executed in the **own name of the tenderer only will be considered for eligibility criteria. The nominated committee may also visit the works executed by the contractor / tenderer to ascertain the nature of work relating to similar works before qualifying.**
31. The contractor shall strictly adhere to various labour laws in force. The contractor shall ensure compliance of EPF&MP Act 1952, by the subcontractors, if any engaged by the contractor.
32. The contractor shall follow norms of BHEL security system for movement of men & material including bio-metric system & materials within the complex.
33. Since the responsibility for the quality, workmanship and accuracy of any work being carried out under this contract lies with the contractor, the contractor should ensure that no work is done without the presence of contractor's representative at the work spot. The contract should arrange for surveying construction site wherever required at his own cost.
34. Bank Guarantee format and the list of consortium banks are enclosed for BG submission against Security Deposit.
35. Tenderers are requested to furnish the duly filled in E format (attached as separate in the Qualification Bid) sheet along with a cancelled cheque leaf to accept Electronic Fund Transfer / R T G S transfer for any payment from BHEL, Trichy.
36. The contractor has to submit the organization chart of their set up for the works and any change thereafter in the organization set up shall have the prior approval of BHEL.
37. Statement of completed works with detailed measurements along with material reconciliation statements shall be submitted by the contractor in the last week of every month for processing bill.
38. The contractor should establish his own site office, labour colony, fabrication yard, handling facility, storage facility etc., for which vacant land will be allotted on specific request for which the rent will not be collected.
39. Adequate number of Quality Engineer and qualified Safety Engineer should be deployed at site. Experienced Engineers / Supervisors are to be engaged.

40. The tenderer has to deploy adequate labour of required categories such as Unskilled, Skilled, Mason, Carpenter, Plumber, Welder, Fitter, Mistry, technically experienced, etc. so as to execute the works simultaneously in all areas of work. The Technical persons with experience shall have to produce valid certificate for verification.
41. Expertise labour only to be engaged for specialized items of work like laying of ceramic tiles, marbles, cuddapah slabs, granite slabs and false ceiling, partition, wall paneling, architectural finishing, water proofing, repair & rehabilitation work etc. and work experienced persons shall be engaged for fabrication, water supply, railway track laying and aligning works, sewerage system work, etc.
42. Exclusive Stores personnel should be engaged who would coordinate with department official for clearance and collection of BHEL supplied materials required for works. Separate non-technical persons should be engaged for arranging daily gate passes for labours and vehicles entry in all the gates of BHEL Complex.
43. The works contract to be entered into with the successful tenderer will be governed by the BHEL General Conditions of Contract in force.
44. All the works shall be executed as per the standard specifications as provided in TNBP / BIS and special specifications of manufacturer.
45. All the materials to be used in the work and the nature of work shall conform to the applicable BIS or other standards as the case may be and shall be got approved by the Engineer-in-charge before actual incorporation in the work.
46. With regard to specifications not covered by the General and Special Conditions of Contract, those contained in the Tamil Nadu Building Practice Standard Specifications or other specifications approved by Bharat Heavy Electricals Limited, shall apply.
47. ***The contractor should use only the materials of brand and quality as approved by BHEL.*** All materials and consumables brought by the contractor should have manufacturer's certificate.
48. Contractor's materials and tools & plants shall have to be brought inside BHEL with proper invoice / voucher and make necessary entry in the security gate. They should maintain proper record for tools and plants, materials, etc., brought inside BHEL complex.
49. To safeguard the persons working at height in roof, wall etc., sufficient number of Industrial Safety nets shall be provided at tenderer's cost in appropriate level and locations. The working hand including Supervisors, Engineers should wear the personal protective items and safety measures such as helmets, safety belts, shoes, etc., before entering into working place.
50. All safety measures are to be followed during execution of work, particularly during blasting and only licensed blaster should be engaged for this purpose. Sufficient care shall be taken by the contractor during excavation to avoid damages to the buried pipe lines, cables and other infrastructure like railway lines if any etc. Controlled blasting including muffling can be carried out with prior permission from safety department.
51. The tenderer shall carry out health performance test at his cost for all the workmen engaged in the work through a registered medical practitioner and produce certificate on demand.
52. It shall be the responsibility of the contractor to see that the workmen do not utilize the departmental canteen facilities. Contractor has to make his own arrangements to provide refreshment for the workmen.

53. The contractor should extend fullest co-operation with the third party agencies engaged, if any by BHEL to adhere the Quality Control Procedures ensuring quality.
54. The contractor should extend full co-operation to the other contractors who may be doing other works in the same areas to enable them to execute their portions of work without any delay or difficulty.
55. On the written request from the contractor **Water required for the work may be provided by this organization at only one point at the site of the work at free of cost.** In case of failure of water supply, the Contractor will have to make his own arrangements for water without any extra claims until supply is restored. BHEL does not accept any liability whatsoever for non-supply or delay in the supply of water under any circumstances. The contractor shall ensure that there is no wastage of water otherwise supply of water is liable to be stopped at contractor's risk and cost.
56. On the written request from the contractor **Electrical energy required for the work may be given by this organization at any one point at the site of work at free of cost.** BHEL does not accept any liability whatsoever for non-supply, delay in supply or failure of supply of electrical energy. Contractor shall ensure that there is no wastage of electrical energy otherwise supply is liable to be stopped at contractor's risk and cost. The contractor shall make leak proof / fire proof shed and provide control panel board of required capacity and lay the required cables at their own cost for further distribution.
57. On the written request from the contractor **Compressed air for the work will be provided by this organization at only one point near the site of work at free of cost.** The contractor should be in a position to make his own arrangement for compressed air without any extra claim for the uninterrupted operation of jackhammer with silencer wherever BHEL is not in a position to supply compressed air.
58. Field quality plan issued by BHEL should be strictly followed.
59. *Misuse of the building (residential/non-residential) taken for maintenance viz. not closing water tap / not switching off power / not closing the main door at the end of the day will attract a fine of Rs.500/- per occasion-*
60. *Any mixing of concrete or cement mortar directly on the road surface will attract a fine of Rs.1000/-.*
61. *Items of work other than those mentioned in bill of quantities attached with Price bid will be carried out at the rates to be fixed by this organization as per relevant clauses of the General Conditions of Contract.*
62. LD / Penalty clause is applicable as per General Conditions of Contract in force.
63. BHEL reserves its right to finalize the contract through reverse auction for which only qualified tenderers will be provided with necessary documents containing reverse auction rules, terms and conditions for this purpose.
64. Any claim or dispute arising from the tender stage, till/after completion of the work under the terms and conditions stipulated in the tender document/contract agreement shall only be enforced or settled in the courts at Tiruchirappalli, TamilNadu only.
65. The correspondence exchanged against the tender from both tenderer and BHEL through email are considered as valid document legally though it is not signed. It is treated as valid confirmations made on behalf of the respective company and very much comes under the legal ambit of the business transaction and hence it is binding on both the parties to the business.

66. Any transaction pertaining to the tender from both the parties of business done round the clock irrespective of the office or business hours of the companies, are valid legally and binding on both the parties. This applies to the extent only in such cases where deadline time for transaction is not specifically declared by either or both the parties to the business.
67. In case Letter of Intent (LOI) is issued through email, the PC generated time and date of mail shall be construed as the official time and date of release of LOI. In as much as this date is within the last date of validity given by the bidder the LOI is said to have been issued within the validity period and shall be binding on both the parties to the business.
68. Tenderers participating in the tender should declare in their technical bid that whether they have been black-listed / kept on hold for a specified period / given Business holiday for a specified period by any Public sector undertaking or Government departments. The reasons for such action with details and the current status of such hold shall be clearly furnished to BHEL. If no such details are mentioned in the offer then it will be construed that the subject bidder is not under any such hold. But at a later date if it comes to the notice of BHEL about any such hold under enforcement on the subject bidder, BHEL will have every right to reject the offer of such vendors at any point of time and also under any stage of the finalisation of the subject tender irrespective of the status of the subject bidder in that tender. Such bidders will not be permitted to participate in the further tender proceedings and will be communicated suitably. They will not be also considered for any ongoing tenders even if participated till the hold is officially lifted and confirmed in writing.
69. *The bidder along with its associate/ collaborators / sub-contractors / sub vendors / consultants / service providers shall strictly adhere to BHEL fraud prevention Policy displayed on BHEL website <http://www.bhel.com> and shall immediately bring to the notice of the management about any fraud or suspected fraud as soon as it comes to their notice*
70. Permission for erection of temporary work sheds etc., at site will have to be obtained from BHEL in writing in advance.
71. Quarters, if available will be allotted to the Contractor by HR- Administration of BHEL based on the written request from the Contractor/ his representatives duly forwarded from Civil Department. The contractor has to declare that the quarters allotted would be for the bonafide use of his representatives only and he is required to remit applicable monthly rent & Security deposit in timely manner. The terms and conditions of allotment would be subject to BHEL policy on allotment of Quarters.

(TO BE STAMPED IN ACCORDANCE WITH STAMP ACT)
BANK GUARANTEE FOR PERFORMANCE SECURITY

Bank Guarantee No:

..... Date: To

NAME

& ADDRESSES OF THE BENEFICIARY

Dear Sirs,

In consideration of **Bharat Heavy Electricals Limited** (hereinafter referred to as the 'Employer' which expression shall unless repugnant to the context or meaning thereof, include its successors and permitted assigns) incorporated under the Companies Act, 1956 and having its registered office at New Delhi through its Unit at High Pressure Boiler Plant, Trichy -14 having awarded to ----- (**Contractor Name With Full Address**) hereinafter referred to as the '**Contractor**', which expression shall unless repugnant to the context or meaning thereof, include its successors and permitted assigns), a contract ----- valued at ----- for "----- hereinafter called the 'Contract') and the **Contractor** having agreed to provide a Contract Performance Bank Guarantee (towards Security Deposit), equivalent to 5% (Five Percent) of the said value of the Contract to the Employer for the faithful performance of the Contract,

We, (hereinafter referred to as the Bank), having registered/Head office at and inter alia a branch at being the Guarantor under this Guarantee, hereby, irrevocably and unconditionally undertake to forthwith and immediately pay to the Employer any sum or sums up to a maximum amount of ----- without any demur, immediately on first demand from the Employer and without any reservation, protest, and recourse and without the Employer needing to prove or demonstrate reasons for its such demand.

Any such demand made on the Bank shall be conclusive as regards the amount due and payable by the Bank under this guarantee. However, our liability under this guarantee shall be restricted to an amount not exceeding -----

We undertake to pay to the Employer any money so demanded notwithstanding any dispute or disputes raised by the Contractor in any suit or proceeding pending before any Court or Tribunal, Arbitrator or any other authority, our liability under this present being absolute and unequivocal.

The payment so made by us under this Guarantee shall be a valid discharge of our liability for payment thereunder and the Contractor shall have no claim against us for making such payment.

We thebank further agree that the guarantee herein contained shall remain in full force and effect during the period that would be taken for the performance of the said Contract/satisfactory completion of the performance guarantee period as per the terms of the Contract and that it shall continue to be enforceable till all the dues of the Employer under or by virtue of the said Contract have been fully paid and its claims satisfied or discharged.

WeBANK further agree with the Employer that the Employer shall have the fullest liberty without our consent and without affecting in any manner our obligations hereunder to vary any of the terms and conditions of the said Contract or to extend time of performance by the said Contractor from time to time or to postpone for any time or from time to time any of the powers exercisable by the Employer against the said Contractor and to forbear or enforce any of the terms and conditions relating to the said Contract and we shall not be relieved from our liability by reason of any such variation, or extension being granted to the said Contractor or for any forbearance, act or omission on the part of the Employer or any indulgence by the Employer to the said Contractor or by

CONTRACTOR

Page 38 of 177

ACCEPTING OFFICER

any such matter or thing whatsoever which under the law relating to sureties would but for this provision have effect of so relieving us.

The Bank also agrees that the Employer at its option shall be entitled to enforce this Guarantee against the Bank as a principal debtor, in the first instance without proceeding against the Contractor and notwithstanding any security or other guarantee that the Employer may have in relation to the Contractor's liabilities.

This Guarantee shall remain in force up to and including **DD MM YYYY** shall be extended from time to time for such period as may be desired by Employer.

This Guarantee shall not be determined or affected by liquidation or winding up, dissolution or change of constitution or insolvency of the Vendor / Contractor / Supplier but shall in all respects and for all purposes be binding and operative until payment of all money payable to the Employer in terms thereof.

Unless a demand or claim under this guarantee is made on us in writing on or before the **MM DD YYYY** we shall be discharged from all liabilities under this guarantee thereafter.

This Bank Guarantee shall be governed, construed and interpreted in accordance with the laws of India.

Courts at Tiruchirappalli shall alone have exclusive jurisdiction over any matter arising out of or in connection with this Bank Guarantee

We, BANK lastly undertake not to revoke this guarantee during its currency except with the previous consent of the Employer in writing.

Notwithstanding anything to the contrary contained hereinabove:

- a) The liability of the Bank under this Guarantee shall not exceed Rs 2,00,000
- b) This Guarantee shall be valid up to DD MM YYYY
- c) Unless the Bank is served a written claim or demand on or before DD MM YYYY all rights under this guarantee shall be forfeited and the Bank shall be relieved and discharged from all liabilities under this guarantee irrespective of whether or not the original bank guarantee is returned to the Bank.

We, _____ Bank, have power to issue this Guarantee under law and the undersigned as a duly authorized person has full powers to sign this Guarantee on behalf of the Bank.

For and on behalf of
(Name of the Bank)

Dated.....

Place of Issue.....

1.

Bank Phone No.
Bank e-mail ID
Bank FAX No

LIST OF CONSORTIUM BANKS IN INDIA

(as on 15.12.2011)

List of Consortium Bank			
	Nationalised Bank		Public Sector Banks
1	Bank of Baroda	19	IDBI
2	Canara Bank		
3	Central bank	20	Foreign bank
4	Indian Bank	21	J P Morgan
5	Indian Oversea Bank	22	CITI Bank N.A
6	Punjab National Bank	23	Deutsche Bank AG
7	Punjab & Sindh Bank	24	The Hongkong and Shanghai Banking Corporation Limited
8	State Bank of India	25	Standard Chartered Bank
9	UCO Bank	26	The Royal Bank of Scotland N.V.
10	Union Bank of India		
11	Private bank		
12	Axis Bank		
13	The Federal Bank Limited		
14	HDFC		
15	Kotak Mahindra Bank		
16	ICICI		
17	Indusind Bank		
18	Yes Bank		

(1) The Bank Guarantee bonds (BG) are to be submitted on non-judicial stamp paper of Rs. 100/- and should be only from any one of the above mentioned Banks in India.

(2) It should be signed by TWO bank officials with Rubber stamp containing names & employee numbers of bank officials.

(3) It should be submitted with bank covering letter with sign and seal of the bank official.

**SECTION 3 - IMPORTANT POINTS TO BE TAKEN CARE OF WHILE
SUBMITTING OFFER**

Section 3A - INSTRUCTIONS TO TENDERERS

- 1) The Bharat Heavy Electricals Limited will not be bound by any power of attorney granted by the tenderer or by changes in the composition of firm made subsequent to the execution of the contract. They may however recognize such power of attorney and changes after obtaining proper legal advice the cost of which will be chargeable to the contract concerned.
- 2) ***If the tenderer deliberately gives wrong information in his tender or creates conditions favorable for the acceptance of this tender, the Bharat heavy Electricals Limited, reserves the right to reject such tender at any stage.***
- 3) Words importing the singular number shall also be deemed to include the plural number and vice versa where the context so requires.
- 4) The expenses for executing and stamping the agreement shall be paid by the contractor.
- 5) The General and special conditions are complementary to each other and where they are conflict the Special Conditions shall prevail. In regard to matters not covered by the General and Special Conditions of Contract, those contained, those contained in the Tamil Nadu Building Practice Standard Specifications or other specifications approved by the Bharat Heavy Limited, shall apply.
- 6) Tenderers shall not increase their quoted rates in case the Bharat Heavy Electricals Limited, negotiates for negotiation for reduction of rates. Such negotiation shall not amount to cancellation or withdrawal of the original offer and the rates originally quoted shall be binding on the tenderers for a period of six months from the date of opening of tenders.
- 7) *"In the course of evaluation, if more than one bidder happens to occupy L-1 status, effective L-1 will be decided by soliciting discounts from the respective L-1 bidders. In case more than one bidder happens to occupy the L-1 status even after soliciting discounts, the L-1 bidder shall be decided by a toss / draw of lots, in the presence of the L-1 bidder(s) or their representative(s). Ranking will be done accordingly. BHEL's decision in such situations shall be final and binding."*
- 8) *Any deviation to this tender terms & conditions, and schedules of this tender will lead to total rejection of the offer submitted.*
- 9) *Tenderer who have been suspended or black listed or issued with "Show Cause Notice" by BHEL, Tiruchirappalli - 620014 or any other unit or GOI will not be allowed to participate in the tender, and bidder should declare the same in the tender. Even during the course of evaluation / finalization of tender if it is found that some of the parties are black listed/ barred from business transaction / under business hold, BHEL will not consider them for further participation in the tender.*
- 10) *Amount should be quoted as per the Work schedule (Price bid / Part –II). Amount quoted in any other form will not be accepted, and will be rejected.*
- 11) *The tender must be signed digitally / physically by Partner having powers to sign tenders / Director of the Firm or by the person holding the Power of Attorney on behalf of the Firm concerned. In the latter case, a copy of Power of Attorney, duly attested by a Notary Public must accompany the tender (As per annexure-A4) If a tenderer deliberately gives wrong information in his tender or creates conditions favorable for the acceptance of his tender, the BHEL will reject such tender at any stage.*

CONTRACTOR

Page 41 of 177

ACCEPTING OFFICER

- 12) *Words imparting singular number shall be deemed to include plural number and vice-versa where the context so requires.*
- 13) *The tender schedule, and the tender shall be deemed to form an integral part of the contract to be entered into for this work.*
- 14) *Tenderer shall sign the tender documents for having accepted the conditions and upload in e-procurement portal.*
- 15) *Tender can be cancelled at any stage due to unavoidable circumstances.*
- 16) *Kindly ensure that the total size of the scanned documents to be uploaded remains minimum. If required, documents may be scanned at lower resolutions say at 150 dpi.*
- 17) *However, it shall be sole responsibility of bidder that the uploaded documents remain legible.*
- 18) *If there is a discrepancy between words and figures quoted by bidder, the amount in words shall prevail. If there is such discrepancy in an offer, the same shall be conveyed to the bidder with target date upto which the bidder has to send his acceptance on the above lines and if the bidder does not agree to the decision of the purchaser, the bid is liable to be ignored.*
- 19) TENDERERS should fill in all the required particulars in the blank spaces provided for this purpose in the tender documents and also sign each and every page of Tender Documents including the drawings attach there to before submitting their tender.
- 20) In quoting their percentage rate, the tenderers are advised to take account all factors including any fluctuations in the market rates etc. No claim will be entertained on this account after acceptance of the tender or during the currency of the contract.
- 21) The percentage rate quoted in the tender shall remain valid for a period Six MONTHS from the date of opening of tenders.
- 22) In the event of tender being submitted by firm the tender must be signed separately and legibly by each partner or member of the firm or in their absence, by the person holding the power of attorney on behalf of the firm concerned in the latter case a copy of the power of attorney duly attested by a Gazetted Officer must accompany the tender.
- 23) The Bharat Heavy Electricals Limited reserve the right to reject any or all the received or accept any tender or part thereof without assigning any reason thereof. In the case acceptance of part of tender, time for completion may also be reduced to the extent considered appropriate by the Accepting Authority.
- 24) Conditional and Unwitnessed tenders, tender containing absurd rates and amounts tenders which are incomplete or otherwise considered defective and tenders not in accordance with the tender conditions laid down by the Accepting Officer are liable to be rejected.
- 25) Should a Tenderer find discrepancies or omissions in the Tender documents or should there any doubt as to their meaning, he should at once address the authority inviting the Tender, for clarification well before the due date, so as to submit his Tender in time. (No extension of time shall be given for submission of the Tender on any account) Every Endeavour is made to avoid any error which can materially affect the basis of the tender but the successful tenderer shall take upon himself to provide for the risk of any error which may be subsequently by discovered and shall make no subsequent claim on account thereof.

- 26) Conditional Tenders, Tenders containing prima-facie absurd rates and amounts, Tenders which are incomplete or otherwise considered defective and Tenders not in accordance with the Tender conditions herein contained and the Tenders not in original are liable to be rejected.
- 27) The contractor shall quote only the lowest possible amount, inclusive of all taxes (except Goods & Service Tax which will be paid by BHEL extra as applicable) that can be offered for the intended quantity.
- 28) If a Tenderer deliberately gives wrong information in his Tender or creates conditions favorable for the acceptance of his Tender, BHEL will REJECT SUCH TENDER AT ANY STAGE.
- 29) Words imparting singular number shall be deemed to include plural number and vice-versa where the context so requires.
- 30) Late and Delayed Tenders will be summarily rejected and under no circumstances it will be considered and accepted.
- 31) All corrigenda/addenda/amendments/time extensions/clarifications, etc. to the tender will be hosted on BHEL & Govt. Tenders websites only (i.e. <http://www.bhel.com>, & <https://eprocure.gov.in>) and will not be published in any other media. Bidders should regularly visit above website(s) to keep themselves updated.
- 32) BHEL may reject the bid or in case the contract has been awarded, then terminate the contract apart from taking any other suitable action under the contract or applicable legal provisions or BHEL guidelines including Guidelines for suspension of Business Dealings, without any liability for any compensation to the bidder if, BHEL discovers at any time that any statement made by the bidder in the affidavit cum undertaking is false, fraudulent or Any document submitted by the bidder was fake and forged Or If BHEL determines in the sole discretion that any statement was aimed at deliberately misleading BHEL with a view to ensure award of the subject contract to the bidder.
- 33) The workmen to be deployed by the contractor shall adhere to the safety / security rules and regulations of the Company and any person who is found to be violating the security / safety rules of the company shall be replaced immediately at the cost of the contractor.
- 34) No bidder shall be allowed to use any electronic gadgets viz., mobile phones, tablets etc during tender opening/ or at any other meeting with BHEL for the purpose of this tender, which if found would be liable for rejection of their bid.
- 35) The amount offered shall provide for the complete cost towards labour, consumables, tools, plants & machinery, transport, supervision, profits & overheads, and all other incidentals, etc. complete. However, if the GST is applicable for this contract, the same will be reimbursed on production of valid documentary proof for having paid the GST by them.
- 36) GST will be charged on the forfeited EMD/SD amount from the bidder at the applicable rates. GST tax Invoice will be issued to the vendor on receipt/recovery of GST amount from the vendor. The Contractor should engage technical persons and workmen with the following qualifications for works as detailed below and the contractor shall carry out the health Performance check at his cost for the workmen engaged in the work through a registered medical practitioner and produce the certificate on demand.

37) **Signing the Tender:**

The Tender shall be signed by the Authorized Signatory Only. Authorized signatory shall be the Person holding 'power of attorney' on behalf of the firm/company/bidder-concerned Authorized / empowered to act on behalf for the specific purpose. Authorized signatory should have Power of Attorney issued by the Proprietor / All Partners / Board of Directors / or the person should have power to sign the tender by way of Articles of Association of the Firm / Partnership Deed / Board Resolution. Documentary evidence notarized by a Notary public shall be submitted in this regard

In case the Bidder is a Partnership Firm under Partnership Act, the Tender shall be signed by all the Partners of the firm or by the Managing Partner who have Signature and Seal of the Contractor authorized to do so or by a person holding the Power of Attorney on behalf of the Partnership Firm.

A copy of the Partnership Deed and / or a copy of the Power of Attorney, Self-attested shall accompany the Proprietor or Partner of the Company.

BHEL will not be bound by any other Power of Attorney granted or the change in the composition of the firm made, subsequent to the execution of the Contract agreement. They may however recognize such Power of Attorney or change in status after obtaining legal advice and the cost involved in that connection shall be chargeable to the bidder concerned.

If tenderer expires after the submission of his tender or after the acceptance of his tender the BHEL may, at their discretion, cancels such tender. If a partner of a firm expires after submission of tender or after the acceptance of the Tender, BHEL may cancel such Tender at their discretion unless the firm retain its character. The works executed in the own name of the tenderer only will be considered for eligibility criteria.

38) Expenses incurred by bidder towards preparation of bid incidental to tender irrespective of whether it is accepted or not, shall be borne by vendor only.

39) The offers of the tenderer / bidders who are on the banned list and also the offer of the bidders, who engage the services of the banned firms, shall be rejected. The list of banned firms is available on BHEL web site (www.bhel.com → Tender Notification → List of Banned Firms).

The Parties who have been suspended or black listed or issued with "Show Cause Notice" by BHEL Trichy-14 or any other BHEL Unit will not be allowed to participate in the Tender and the bidder should declare the same in the Tender. Even during the course of evaluation / finalization of Tender if it is found that some of the parties are black listed / barred from business transactions / under business hold, BHEL will not consider them for further participation in the Tender.

40) Similarly, the offers of the bidders who are suspended (under hold/ delist) for business dealings by BHEL shall not be considered. Please note that lifting/ restoration of suspension (Ban/Hold/ De-list) of business dealing is not automatic after expiry of specified suspension period. Hence, vendor shall be considered as suspended for business till suspension is lifted by BHEL in writing on specific request of the vendor as per extant guidelines.

41) The contractor should extend full co-operation to the other contractors who may be doing other works in the same areas to enable them to execute their portions of work without any delay or difficulty.

42) Contractor has to ensure that the employees deployed in the premises of BHEL are physically and mentally fit and do not have any criminal record. Such employees should possess requisite skill, experience etc. acceptable to concerned department.

- 43) Contractors are advised that contract labours must be employed without any discrimination on caste or creed or religion or gender basis.
- 44) The contractor shall submit police verification certificate in respect of the persons, engaged for first time by the contractor, for delivering services.
- 45) The contractor by submitting the tender undertakes that, they had never been found guilty by a court of law in India for any offence in involving fraud, dishonesty and moral turpitude. If at a later date, if it comes to the notice of BHEL about any such occurrences on the subject bidder, BHEL will have every right to reject the offer of such vendors at any point of time.
- 46) The Contractor shall ensure that his workmen movement is restricted to their relevant work areas only & shall vacate the premises after the shift is over.
- 47) If a tender provides relaxation for vendors, and if a vendor fails to submit supporting documents, they will be treated at par with other vendors or their bid would be liable for rejection, wherever as the case may be.
- 48) In order to avoid unforeseen delay, it is advised that, any correspondence by vendor to BHEL shall be emailed to all the addressees as mentioned in tender. The correspondence through email wherever sought by BHEL shall be replied with all the addressees in 'cc' of the mail. Vendor shall furnish valid email id's in the tender and regularly verify the same.
- 49) The tenderer/Bidder or any of his authorized personnel or agents will be granted permission by the BHEL to enter upon its premises and lands for the purpose of site visit. However, the bidder shall undertake that he, his personnel, and agents will be responsible against all liability in respect thereof, including death or personal injury, loss of or damage to property, and any other loss, damage, costs, and expenses incurred as a result of the inspection.
- 50) In general, Bidders shall themselves obtain all necessary information. A Bidder shall be deemed to have full knowledge of the Site, whether he inspects it or not and no extra claims due to any misunderstanding or otherwise shall be allowed. The cost of visiting the Site shall be at the Bidders' own expense.
- 51) The Bidder, at his own responsibility and risk & cost, is encouraged to visit, inspect and survey the Site and its surroundings and satisfy himself before submitting his bid as to the form and nature of the Site, the means of access to the Site, the accommodation he may require, etc.
- 52) BENEFITS TO STARTUPS: NIL
- 53) **Preference to Make in India:**
For this procurement, the local content to categorize a supplier as a Class I local supplier/ Class II local Supplier/ Non Local supplier and purchase preference to Class I local supplier, is as defined in Public Procurement (Preference to Make in India), Order 2017 dated 04.06.2020 issued by DPIIT. In case of subsequent orders issued by the nodal ministry, changing the definition of local content for the items of the NIT, the same shall be applicable even if issued after issue of this NIT, but before opening of Part-II bids against this NIT.

- 54) The Bidder declares that they will not enter into any illegal or undisclosed agreement or understanding, whether formal or informal with other Bidder(s). This applies in particular to prices, specifications, certifications, subsidiary contracts, submission or non-submission of bids or any other actions to restrict competitiveness or to introduce cartelization in the bidding process. In case, the Bidder is found having indulged in above activities, suitable action shall be taken by BHEL as per extant policies/ guidelines.

Section 3B- CRITERIA FOR AWARD OF WORK:

1. Evaluation of the offer shall be done on “Net Cash outflow to BHEL after taking into account applicable Taxes and Duties “and overall (package) L1 basis. The L1 position based on the quoted values (subject to calculations) excluding applicable Goods & Services tax (GST), will not necessarily mean L1 for a vendor, but the net liability to BHEL, after considering the Goods & Services tax (GST) criteria for all the vendors who had participated in the tender. In case of exemption from the payment of Goods & Services tax (GST), the vendor has to submit a declaration along with the tender. For such exempted vendor, Vendor cannot claim GST from BHEL, during the execution of the contract (if awarded) even if their status under GST changes to regular tax payer. The Evaluation currency for this tender shall be INR.
2. If the contractor back outs after opening of tender, the contractor is liable for forfeiture of the EMD paid.
3. BHEL reserves the right to increase or decrease the tendered quantity.
4. BHEL does not guarantee ordering of any minimum quantity.
5. Income Tax deduction at source as applicable in the IT Act from time to time will be made on the value of the bills in the absence of Income Tax Exemption Certificate from the concerned IT officer.
6. All the Statutory Obligations such as ESI, PF, Labor Acts, Factories Act, Goods & Services tax (GST), etc. will have to be taken care of by the vendor. BHEL will have no liability on them. Notwithstanding the above, if any demand notice is served by the concerned Statutory Authorities for recovery of any of their dues on BHEL, the same would be paid to the statutory authorities without notice to the vendor and recovered as a due from any pending / future bills.
7. In case contract is not executed by vendor after award and acceptance of contract, BHEL may exercise the right to forfeit EMD, Security Deposit / BG of such contractors and also suitable action will be taken by BHEL on those Contractors as deemed fit.
8. BHEL reserves the right to reject the tender, if it contains any tampering to the tender documents submitted by the bidder, at any stage.
9. BHEL reserves the right to cancel the tender or reject the lowest or any tender in full or in part without assigning any reasons whatsoever.
10. In order to ensure compliance to Minimum Wage payment to all workmen entering the BHEL premises, the entry of manpower shall be regulated based on the awarded value and the prevailing minimum wages.
11. Other than the bidder, none of its group concerns or affiliates etc. are participating in the tender either directly or indirectly through any other agency under same proprietor / common director(s) / common partner(s). The bidder should declare the same in the Tender. Even during the course of evaluation /finalization of Tender/ at any stage, if it is found that some of the parties are not fulfilling the above clauses, BHEL will not consider them for further participation in the Tender/ reject such tender/contract.

SECTION 4 – PROCEDURES & GUIDELINES

Section 4A - Guidelines for Suspension of Business Dealings with Suppliers/ Contractors

PREAMBLE

In order to protect the commercial interests of BHEL, it becomes necessary to take action against suppliers/ contractors by way of suspension of business dealings, who either fail to perform or are in default without any reasonable cause, cause loss of business/ money/ reputation, indulge in malpractices, cheating, bribery, fraud or any other misconduct or formation of cartels so as to influence the bidding process or influence the price etc. Suspension of Business Dealings could be in the form of Debarring a supplier/ contractor or a bidder or an applicant for registration as a registered supplier. For this purpose, the following guidelines shall be followed across all BHEL units/ divisions/ regions (here in after referred to as Units). These guidelines are not exhaustive but enunciate broad principles governing action against such suppliers/ contractors.

SCOPE

- a. For the purposes of these Guidelines, Company means the Bharat Heavy Electricals Limited.
- b. These Guidelines will be applicable to Supplier (which will include vendors, suppliers and contractors) i.e. to say:
 - i. An entity that has applied for registration in any Unit of the Company for any material/service category.
 - ii. A bidder in a tender notified by the Company;
 - iii. An entity which has been awarded a contract.

Note: The term “Tender” or “Contract” referred to in sub-clause (ii) and (iii) as above, refers to tender or contract notified or awarded, as the case may be, by the Company, in terms of the Purchase Policy or the Works Policy of the Company.

For the bid(s) floated on GeM, the action for suspension will be dealt as per the incident management policy of GeM.

- c. Any action under these Guidelines shall be without prejudice to all remedies available under the contracts with the Suppliers or other legal provisions.
- d. If a Supplier, who has participated in a tender/ entered into a contract with BHEL as an Agent/ Trader/ Dealer/ Stockist/ Distributor/ Channel partner etc. (hereinafter referred to as Agent) of an identified Principal/ OEM/ Mills/ Works/ Plants (hereinafter referred to as Principal) for that bid/ contract, then action as per these guidelines can be undertaken against the Principal as well as Agent as appropriate.
- e. In case of the supplier being a Sole Proprietorship firm or a Partnership firm, action under these Guidelines shall be taken against both:
 - i. The Sole Proprietorship firm and the Sole Proprietor; or, as the case may be;
 - ii. The Partnership firm and all the partners thereof.

Accordingly, action will be taken under these guidelines against any other Sole Proprietorship firm owned by the same Sole Proprietor. Similarly, action under these guidelines will also be taken against another Partnership firm comprising of the same or some of the same Partners (but not including any new Partner) or a Sole Proprietorship firm owned by the same Partner(s).

f. In respect of consortiums and unincorporated Joint Ventures/ Association of Persons (AOP)/ Body of Individuals (BOI), action under these guidelines shall be taken against the defaulting consortium partners and defaulting members of the unincorporated Joint ventures/ Association of Persons (AOP)/ Body of Individuals (BOI).

1.0 Suspension of business dealing with Suppliers

The following category of suspensions have been provided in these guidelines depending upon the gravity of the omission or commission by the Supplier.

- a. Debarment within the unit for specific item(s)/ material category(ies)/ type of work(s) for six months.
- b. Debarment within the unit for all item(s)/ material category(ies)/ type of work(s) for one year
- c. Debarment across BHEL for all items/ material category(ies)/ type of work(s) for two years.

The Supplier may be debarred, as detailed hereinafter on the basis of one or more of the category wise reasons as enumerated hereunder:

1.1. Debarment within the unit for a specific item(s)/ material category(ies)/ type of work(s) shall be imposed for six months in the following cases, if

i. In the last three consecutive supplies of a specific material category, average quality rating, as provided in the supplier performance rating (SPR) as per SEARP, falls below 80% of the quality weightage. This is irrespective of supplies against PO(s) having single/ multiple delivery schedules.

Note: Not applicable in cases for erection works of Power Sector Regions, where separate guidelines for evaluation of capacity of bidders is being followed.

ii. Two consecutive delays, for reasons of delay attributed to the Supplier, in execution of the contracts where delay occurred is such that

- a. prescribed maximum LD time limits of the contracts is exceeded or
- b. delay period has equaled/ exceeded half the original delivery period specified in the contracts whichever among the above is earlier.

iii.

a. Overall SPR (Supplier Performance Rating) in that particular Unit in line with SEARP falls below 60% of the specific material category.

b. Bids of contractors (in PS-MSX portal) shall not be considered (if average score of last six months falls 60% or below as per guidelines for evaluation of capacity of bidders formula).

Note: – for (b), No specific period of Debarment shall be applicable.

iv.

a. Supplier works are under strike/ lockout for a period of more than three months.

b. Contractor has resorted to wanton stalling of work, strikes, picketing etc. during currency of the contract.

1.2. Debarment within the unit for all item(s)/material category(ies)/ type of work(s) shall be imposed for One year in the following cases, if

- i. Supplier tampers with tendering procedure affecting ordering process.
- ii. Supplier has misused BHEL documents/ drawings/ technical information or has breached the confidentiality agreement with BHEL.
- iii. after placement of order, Supplier fails to execute the contract.
- iv. within warranty period as per contract, Supplier continues to supply low/ less/ non-performing equipment/ services, repetitive failures, remains non-responsive.
- v. Wherever any part or full scope of supply/ work/ service has been awarded at the Risk and Cost of the defaulting vendor and the unexecuted value of scope for which the Risk and Cost action taken is more than 5% of the contract value.
- vi. After price bid opening but before placement of order, Supplier withdraws his offer or varies it in any manner within the validity period.
- vii. In spite of warnings, the Supplier persistently violates or circumvents the provisions of labour laws/ regulations/ rules or other statutory requirements.
- viii. Violation of Section 2, read with Section 3 of Integrity Pact, which are not covered in the list of defaults as per guidelines.

1.3. Debarment across BHEL shall be imposed for two years in following cases, if

- i. Supplier has made false declaration and/ or provided false information and/ or forged documents or has forged BHEL documents, certificates etc. for securing business, meeting PQR or for enlistment in BHEL or with other customers.
- ii. Supplier is found to be involved in cartel formation or in any other act so as to influence the bidding process or influence the price of the tender.
- iii. The Supplier has indulged in malpractices or misconduct such as bribery, corruption and fraud, pilferage, coercion, etc.
- iv. The Supplier is found guilty by any court of law for criminal activity/ offences involving moral turpitude in relation to business dealings.
- v. Supplier is found to have obtained any internal information/ documentation of BHEL by unauthorized means.
- vi. The foreign Principals along with the representing Agent shall be debarred together if information submitted jointly by them about their precise relationship, commission/ remuneration etc. payable/ receivable and other particulars as asked by BHEL, as per the extant guidelines regarding dealing with Agents of Foreign Suppliers is found false/ incorrect, at any stage.
- vii. Supplier has, damaged, failed to return free issue materials/ tools etc. of BHEL, for which recovery could not be affected against such materials, or substituted free issue materials/ tools etc. of BHEL.
- viii. Supplier has been declared insolvent or is under dissolution/ insolvency proceedings so as to affect the execution of work.

ix. The Supplier has tarnished/ maligned the image of BHEL or unfairly acted in a manner prejudicial to the commercial interest of BHEL or breached the confidentiality of the vital information with an intent to prejudice the interest of BHEL.

1.4. A Supplier can also be debarred with the approval of Director (E, R&D) provided a direction to this effect has been received from the administrative ministry of the Government.

2.0 Reason(s) for debarring a Supplier as above are only illustrative and not exhaustive. Depending upon the gravity, the competent authority may decide to debar a Supplier for any other adequate and sufficient reason.

3.0 Procedure

3.2 If prima-facie evidence or sufficient grounds exist for suspension, a 'show-cause notice' shall be issued to the Supplier giving a notice period of 15 days.

3.4 Interim Suspension:

In appropriate cases for justifiable reasons, fresh enquiries (including consideration of existing offers) can be stopped by the Unit with the approval of the authorities mentioned as follows from the date of issue of show-cause notice pending final decision by the competent authority. In case a Supplier submits a representation requesting for lifting of the Interim Suspension, then, the same shall be considered.

Note: Amongst others, in cases where recommendation for suspension of a supplier has been received from CBI/ Vigilance or any other investigating agency, the supplier may be immediately put on Interim Suspension for all fresh enquiries in the concerned unit pending final decision.

3.6 If no response to the show-cause notice is received from the Supplier within 15 days, the committee may decide to recommend suspension of business dealings or otherwise on the basis of the available evidence on record.

3.7 If the Supplier responds, the committee will consider the reply and recommend suspension or otherwise.

3.8 Personal hearing by the Committee would be provided to the Supplier, if so requested by the Supplier or if so required. The minutes of the discussions shall be signed immediately with the supplier after conclusion of such discussions and placed in the file. In case, the supplier does not sign the minutes or, as the case may be, does not attend the personal hearing, then, record notes of discussion shall be issued to the Supplier on the same day duly recording such facts.

3.10 In case more than one act or omission is alleged to have been committed by the Supplier, then, the case shall be dealt with for all such acts or omissions together as a case of higher category of suspension (as applicable) and will be accordingly placed before the Committee competent to deal with the higher type of suspension. However, the suspension to be imposed on the Supplier will be as per the highest category of act or omission that is/are established ultimately.

3.13

Note 2: In cases of Fraud (as defined in the Fraud Prevention Policy), unit may consider appropriate action as per BHEL's Fraud Prevention Policy.

Note 3: Wherever it comes to notice that the supplier considered for suspension in a given category, was earlier debarred by BHEL in the same category, in such cases, the period of debarment for the given supplier will be doubled for the given category.

4.0 The suspension order shall become effective from the earlier of the following events:

a. the date of its issuance;

Or,

b. In case fresh enquiries have been put on Interim Suspension as stipulated in para 3.4 then, from the date when the Interim Suspension was implemented.

5.0 Contractual obligations:

5.1 Treatment of Contracts with Suppliers in Debarment (specific to unit level debarment cases) (applicable for the user unit only):

5.1.1 Contracts already entered into with a Supplier before the date of issue of the order of debarment shall not be affected.

5.1.2 Depending upon the type of debarment, in ongoing cases where Techno-commercial Bids are under evaluation and any of the participant Supplier has been debarred, then the tender may be processed excluding the bid of that Supplier. However, if Price Bid has been opened and that Supplier happens to be L-1, then re-tendering is to be resorted to, excluding the Supplier.

5.1.3 The case of running framework agreement (FA) where multiple POs are placed against a single FA and if the Supplier has been debarred, further purchase orders against this FA are not to be placed on the Supplier during the period of debarment depending on the type of debarment.

5.2 Treatment of Contracts with Suppliers Debarred across BHEL:

5.2.1 Contracts already entered into with a Supplier before the date of issue of the order of debarment across BHEL shall not be affected.

Once the order for debarment across BHEL is passed, existing offers/ new offers of the Supplier shall not be entertained.

6.0 Lifting of Suspension

Lifting of Suspension is to be automatic after the period of suspension is over. As the debarment Order across BHEL will result in automatic cancellation of registration, re-registration will be required as per Clause 12.0 of the Guidelines. In cases where BHEL has suffered direct financial loss like, supplier has damaged, failed to return free issue material of BHEL etc., such suppliers shall not be considered in the procurement process of BHEL unless the loss is recovered from the supplier.

9.0 List of Suppliers debarred across BHEL shall be hosted on BHEL's website.

12.0 Registration of supplier debarred across BHEL shall be deemed to have been cancelled automatically. Supplier once debarred across BHEL shall have to seek fresh registration in the respective BHEL unit(s) on lifting of debarment across BHEL.

SECTION 5 - SPECIAL CONDITIONS OF CONTRACT

CONTENTS

Condition No	Description
	CHAPTER - II
1	HEADING TO THE CONTRTACT
2	CONTRACT DOCUMENTS
3	WORKS TO BE CARRIED OUT
4	DEVIATIONS
5	STORES & MATERIALS
6	PATENT RIGHTS
7	OCTROI AND OTHER DUTIES
8	ROYALTIES
9	PLANT & EQUIPMENT
10	ASSIGNMENT OR TRANSFER OF CONTRACT
	a) SUB-CONTRACT
11	COMPLIANCE TO REGULATIONS AND BYE-LAWS
	CHAPTER - II
	PERFORMANCE OF THE CONTRACT
12	ADMISSION TO SITE
13	CONTRACTOR'S SUPERVISION
14	LABOUR
15	WATER
16	TEMPORARY WORKSHOPS, STORES ETC.
17	STORES & MATERIALS ON SITE
18	TOOLS AND PLANTS ON SITE
19	STATEMENT OF HIRE CHARGES
20	PRECAUTIONS AGAINST RISKS
21	NOTICE & FEES
22	SETTING OUT OF THE WORKS & PROTECTION & MAINTAINING SIGNALS AND WORKS
23	SITE DRAINAGE
24	EXCAVATIONS, RELICS ETC.
25	FOUNDATIONS
26	COVERING-IN WORKS
27	APPROVAL OF WORKS BY STAGES
28	EXECUTION OF WORKS
29	DAY WORKS
30	INSPECTION OF THE WORKS
31	RESPONSIBILITY FOR BUILDING
32	INSURANCE OF WORKS
33	DAMAGE AND LOSS TO PRIVATE PROPERTY & INJURY TO WOKMEN
34	LAWS GOVERNING THE CONTRACT
35	CANCELLATION OF CONTRACT FOR CORRUPT ACT
36	CANCELLATION OF CONTRACT FOR INSOLVENCY,ASSIGNMENT OR SUB LETTING OF CONTRACT
37	CANCELLATION OF CONTRACT FOR DEFAULT
38	TERMINATION OF CONTRACT FOR DEATH
39	SPECIAL POWERS OF DETERMINATION

40	FAIR WAGE
	CHAPTER – III
41	VALUATION OF DEVIATIONS
42	ADVANCES ON ACCOUNT
43	RECOVERY FROM CONTRACTOR
44	POST TECHNICAL AUDIT OF WORKS AND BILLS
45	MATERIALS ISSUED BY BHEL
46	LIQUIDATED DAMAGES FOR AMC
	CHAPTER –IV
47	BHEL CONTRACTOR'S LABOUR REGULATIONS
48	MODEL RULES FOR LABOUR LAWS
49	TERMS AND CONDITIONS REGARDING COMPLIANCE WITH VARIOUS LABOUR LAWS BY THE CONTRACTORS FOR BHEL
50	BHEL SAFETY CODE

CHAPTER I

SCOPE OF CONTRACT

1. Heading to the Contract:

The heading to these conditions shall not affect the interpretation thereof.

2. Contract Documents:

The Accepting Officer shall furnish to the Contractor on demand "FREE OF COST" three copies of signed drawings and one copy of the signed agreement comprising of preamble to agreement, General and Special Specifications, Schedule 'A', 'B', 'C', & 'E', etc., (but excluding General Conditions of Contract and Drawings) and **three** copies of all further drawings issued during the progress of work.

However, for any additional copies of the agreement or drawings required by the Contractor the same will be supplied on payment at the specified cost.

The Contractor shall keep one copy of all the Drawings and the Specifications at the site and the Engineer-in-charge or his representative shall have access to them at all reasonable times.

None of these documents shall be used by the contractor for any purpose other than that of this contract.

The Contractor shall take necessary steps to ensure that all persons employed on any work in connection with this contract have noticed that the Indian official Secrets Act 1923 (XIX of 1923) applies to them and shall continue so to apply even after the execution of such works under the contract.

3. Works to be Carried Out:

The Contract shall, except as provided under Schedules 'B' and 'C' include all labour, materials, tools, plants equipment and transport which may be required in preparation for, and in the entire execution and full completion of the work. Schedule 'A' shall be deemed to have been prepared in accordance with good practice and recognized principles and unless otherwise stated, the descriptions given therein shall be held to include waste on materials carriage and cartage, lead, return of empties, hoisting, setting, fitting in position and all other labour necessary in and for the entire execution and full completion aforesaid. Any error in description or quantity in schedule 'A' or any omission there from shall not vitiate the Contract or release the Contractor from the execution of the whole or any part of the work comprised therein according to the Drawings and Specifications, or from any of his obligations under the Contract. **The insertion of the name of any firm of suppliers in the Tender Documents is for the purpose of obtaining a particular class or quality of materials or workmanship but the articles or materials specified may be obtained from any other firm subject to prior written approval of the Engineer – in – charge.**

In the case of a discrepancy between Schedule 'A' the specification and / or the Drawing, the Accepting Officer shall be the sole deciding authority as to which shall prevail and his decision shall be final and conclusive. If neither Drawings nor Specifications contain any mention of minor details of construction, which in the opinion of the Accepting Officer whose decision shall be final and conclusive, are reasonable and obviously and fairly intended for the satisfactory completion of the work, such details shall be provided by the Contractor without any extra cost as if they were specially mentioned and shall be deemed to be included in the contract.

The contractor will be deemed to have satisfied himself as to the nature of the site, local facilities of access and all matters affecting the execution and completion of the work. No extra charges consequent on any mis-understanding in these respects or otherwise will be allowed.

4. Deviations:

The contractor shall not make any alteration in addition to or omission from the work as described in the tender documents except in pursuance of the written instructions of the Engineer-in-charge. No such deviation from the work described in the tender documents shall be valid unless the same has been specifically confirmed and accepted by the Accepting Officer in writing and incorporated in the contract.

The Accepting Officer may deviate either by way of addition or deduction, from the work so described, provided that the contract sum be not thereby varied on the whole by more than the percentage set out in the tender documents. The value of all addition and deductions will be added to, or deducted from the contract sum. Whenever the Accepting Officer intends to exercise such a right, his intention shall specify the deviations which are to be made, the lumpsum assessment or the proposed basis of payment, the extra time allowed, if any, and the date for completion of the entire contract.

Any objection by the Contractor to any matter concerning the order shall be notified by him in writing to the Engineer-in-charge within **Seven days** from the date of such order, but under no circumstances shall the work be stopped (unless so ordered by the Engineer-in-charge) owing to differences or controversy that may arise from such an objection. In the absence of such a notification of objection by the contractor, he will be deemed to have accepted the order and the conditions stated therein. In the event of the contractor failing to agree with the Engineer-in charge regarding the terms of the proposed deviation, the objection shall be referred to the Project Manager whose decision shall be final conclusive and binding on the Contractor.

5. Stores and Materials:

The Contractor shall, at his own cost and expense, provide all materials required for the works, other than those listed in Schedule 'B', which are to be supplied by Bharat Heavy Electricals Limited. All materials to be supplied by the Contractor shall be of the best kind as described in the specifications and the Contractor shall, if requested by the Engineer-in-charge, furnish proof to the satisfaction of the Engineer-in-charge, that the materials so comply with the specifications.

The contractor shall, at his own expense and without delay, supply samples of materials proposed to be used in the execution of the work for approval of the Engineer-in-charge, who may reject the materials not corresponding either in quality or character to the approved samples.

In the case of stores provided under Schedule 'B' the Contractor shall bear the cost of loading, transporting to site, unloading, storing under cover as required assembling and jointing the several parts together as necessary and incorporating or fixing these stores materials in the work, including all preparatory work of whatever description as may be required, and of closing, preparing, loading and returning empty cases or containers to the place of issue without any extra charges.

6. Patent Rights:

The Contractor shall fully indemnify B.H.E.L or the agent, servant, or employee of B.H.E.L against any action, claim or proceeding relating to infringement or the use of any patent or design or any alleged patent or design rights, and shall pay any royalties which may be payable in respect of any article / or part there of included in the contract.

In the event of any claims being made or action brought against B.H.E.L or any agent, or servant or employee of BHEL in respect of matters aforesaid the Contractor shall immediately be notified thereof for taking necessary action provided that payment of indemnity shall not apply when such infringement has taken place in complying with the specific directions issued by the BHEL but the Contractor shall pay any royalties payable in respect of any such use.

7. GST:

All charges on account of **GST** and/or other duties on material obtained for the work (excluding materials provided by B.H.E.L on payment) shall be borne by the contractor.

8. Royalties:

Royalties fixed from time to time as per prevalent local rules will be recovered for materials, which the Contractor may be allowed to remove from quarries situated on land which is in charge of the B.H.E.L authorities.

9. Plant and Equipment:

The Contractor, shall at his own expense, supply all tools, plant and equipment (here-in-after referred to as T & P) required for the execution of the contract other than those listed in Schedule 'C' which subject to their availability may be hired by B.H.E.L., to the Contractor or issued free for use in the execution of the work as specified in Tender Documents.

10. Assignment or Transfer of Contract:

The Contractor shall not, without the prior written approval of the Accepting Officer, assign or transfer the Contract or any part thereof, or any share, or interest therein to any other person. No sum of money which may become payable under the Contract shall be payable to any person other than the Contractor unless the prior written approval of the Accepting Officer to the assignment or transfer of such money is given.

(a) Sub Contract:

The Contractor shall not sub-let any portion of the Contract without the prior written approval of the Accepting Officer.

11. Compliance to Regulations and Bye Laws:

The Contractor shall conform to the provision of any statute relating to the work and regulations and bye-laws of any local authority and of any water and lighting Companies or Undertakings with whose system the work is proposed to be connected. He shall, before making any variation from the drawings or the specifications that may be necessitated for such connections give the Engineer-in-charge notice, specifying the variation proposed to be made and the reasons there for and shall not carry out any such variation until he has received instructions from the Engineer-in-charge in respect thereof. The contractor shall be bound to give all notice required by Statute Regulations or Bye-laws as aforesaid and to pay all fees, and taxes payable to any authority in respect thereof.

CHAPTER II

PERFORMANCE OF THE CONTRACT

16. Admission to site:

The Contractor shall not enter on (other than for inspection purposes) or take possession of the site unless permitted to do so by the Engineer-in-charge. The portions of the Site to be occupied by the Contractor will be clearly defined and marked on the site plan, and the Contractor will on no account be allowed to extend his operations beyond these areas.

The Contractor shall provide, if necessary or required at the Site, temporary access there to and shall alter, modify and maintain the same as required from time to time. He shall take out and clear away the access route when no longer required and restoring the area to its original condition.

The Engineer-in-charge shall have power to execute other works (whether or not connected with the work in the contract agreement) on the site contemporaneously with the execution of the original work and Contractor shall give reasonable facilities for this purpose.

B.H.E.L reserves the right of taking over, at any time, any portion of the site which they may require and the Contractor shall at his own expense clear such portion forthwith. No photographs of the Site or of the work or any part there of shall be taken, published or otherwise circulated without the prior approval of the Engineer-in-charge.

No such approval shall however exempt the contractor from complying with any statutory provisions in regard to the taking and publication of such photographs.

B.H.E.L Officials connected with the Contract shall have the right of entry to the Site at all times.

Engineer-in charge shall have the power to exclude from the site any person whose admission there to may, in his opinion be undesirable for any reason whatsoever.

17. Contractor's Supervision:

The Contractor shall either himself supervise the execution of the Contract or shall appoint a competent Agent approved by the Engineer-in-charge to act in his stead. The contractor shall employ an Engineer/Agent having at least a 'Degree of Bachelor of Civil Engineering' from a recognized University/on any work with a Contract value exceeding rupees two lakhs, and having at least a Diploma in civil Engineering from a recognized college, on work with a contract value exceeding Rs. 50,000/- but not exceeding rupees two lakhs.

The Employment of an Engineer/Agent as aforesaid shall not be necessary if the Contractor himself in possession of a recognized technical qualification and is in opinion of the Engineer-in-charge capable of receiving instructions of the Engineer-in-charge and of executing the work to the satisfaction of the Engineer-in-charge. If the Contractor fails to appoint a suitable Engineer/ Agent as aforesaid, the Engineer-in-charge shall have full powers to suspend the execution of work and stop payment of any advances that may have become due until such date as a suitable Engineer/Agent is appointed and the contractor shall be held responsible for the delay caused to the work and no extension of time on this account shall be given to him as stipulated in condition (9) above.

Orders given to the Contractor's Agent/Engineer shall be considered to have the same force as if they had been given to the Contractor himself.

The contractor or his Agent shall be in attendance at the site during all working hours and shall superintend the execution of work with such additional assistance in each trade as the Engineer-in-charge may consider necessary.

The contractor or his accredited agent shall attend when required and without making any claim for doing so, either the Office of the Engineer-in-charge or the work site to receive instructions.

The Engineer-in-charge shall have full powers, and without assigning any reason to require the Contractor immediately to cease to employ in connection with the Contract any Agent, servant or employee whose continued employment is, in his opinion undesirable.

The Contractor shall not be allowed any compensation on this account.

LABOUR

- 18.** The Contractor shall employ labourer in sufficient numbers either directly or through sub-contractors to maintain the required rate of progress and of quality to ensure workmanship of the degree specified in the Contract and to the satisfaction of the Engineer-in-charge. The Contractor shall not employ in connection with the works any person who has not completed his fifteen years of age.

The Contractor shall furnish to the Engineer-in-charge at the intervals specified by him, a distribution return of the number and description by trades of the work people employed on the works. The Contractor shall also submit on the 4th and 19th of every month to the Engineer-in-charge a true statement showing in respect of the second half of the preceding month and the 1st half of the current month (i) the accidents that occurred during the said fortnight showing the circumstances under which they happened and the extent of damage and injury caused by them and (ii) The number of female workers who have been allowed maternity benefit as provided in the Maternity Benefit Act, 1961 or Rules made thereunder and the amount paid to them.

The Contractor shall pay to labour employed by him either directly or through sub-contractor's wages not less than fair wages as defined in the Contractor's Labour Regulations.

The contractor shall in respect of labour employed by him either directly or through sub – contractors comply with or cause to be complied with Contractor's Labour Regulations in regard to all matters provided therein.

The Contractor shall comply with the provisions of the Payment of Wages Act 1936, Minimum Wages Act 1948, Employers liability Act 1938, Workmen's Compensation Act 1923, Industrial Disputes Act 1947, Maternity Benefit Act 1961 and Mines Act 1952, Contract Labour Regulation and Abolition Act 1970 or any modifications there of or any other law relating thereto and rules made thereunder from time to time.

The contractor shall be liable to pay his contribution and the employees' contribution to the State Insurance Scheme in respect of all labour employed by him for the execution of the contract, in accordance with the provision of "The Employees" State Insurance Act, 1948" as amended from time to time. In case the contractor fails to submit full details of his account of labour employed and the contribution payable, the Engineer-in-charge shall recover from the running bills of contractor an amount of contribution as assessed by him. The amount so recovered shall be adjusted against the actual contribution payable for Employees' State Insurance.

The Engineer-in-charge shall on a report having been made by an Inspecting Officer as defined in the Contractor's Labour Regulations have the power to deduct from the **amount** due to the Contractor any sum required or estimated to be required for making good the loss suffered by the worker or worker by reason of non-fulfillment of the Conditions of the Contract for the benefit of workers, non-payment of wages or of deductions made from his or their wages which are not justified by the terms of the Contract or non-observance of the said Contractor's Labour Regulations.

The Contractor shall indemnify the B.H.E.L against any payments to be made under and for observance of the Regulations aforesaid without prejudice to his right to claim indemnity from his sub-contractors.

In the event of the Contractor committing a default or breach of any of the provisions of the aforesaid Contractor's Labour Regulations, as amended from time to time or furnishing any information or submitting or filling any form / Register/Slip under the provisions of these Regulations which is materially incorrect then on the report of the Inspecting Officers as defined in the Contractor's Labour Regulation, the Contractor shall without prejudice to any other liability pay to the B.H.E.L a sum not exceeding Rs. 50/- as liquidated damages for every default breach or furnishing, making submitting, filling materially incorrect statement as may be fixed by the Engineer-in-charge and in the event of the Contractor's default continuing in this respect, the liquidated damages may be enhanced to Rs. 50/- per day for each day of default subject to a maximum percent of the estimated cost of works put to tender.

The Engineer in charge shall deduct such amount from bills or security deposit of the Contractor and credit the same to the Welfare Fund constituted under Regulations. The decision of the Engineer-in-charge in this respect shall be final and binding.

Model Rules for Labour Welfare

The Contractor shall at his own expense comply with or cause to be complied with Model Rules for Labour welfare as appended to these Conditions or rules framed by Government from time to time for the protection of health and for making sanitary arrangements for workers employed directly/or indirectly on the works. In case the Contractor fails to make arrangements as aforesaid, the Engineer-in-charge shall be entitled to do so and recover the cost thereof from the Contractor.

Safety Code

The Contractor shall at his own expense arrange for the safety provisions as appended to these conditions or as required by the Engineer – in – charge, in respect of all labour directly or indirectly employed for performance of the works and shall provide all facilities in connection therewith. In case the Contractor fails to make arrangements and provide necessary facilities as aforesaid, the Engineer– in–charge shall be entitled to do so and recover the cost thereof from the Contractor.

Failure to comply with model Rules for Labour Welfare, Safety Code, or the provisions relating to report on accidents and to grant of maternity benefits to female workers shall make the Contractor liable to pay to the B.H.E.L as liquidated damages an amount not exceeding Rs. 50/- for each default or materially incorrect statement. The decision of the Engineer-in-charge in such matters based on reports from the Inspecting Officers as defined in the Contractor's Labour Regulation as appended to these conditions shall be final and binding and deductions for recovery of such liquidated damages may be made from any amount payable to the Contractor.

WATER

19. The Contractor shall allow in his Tender and provide at his cost all water required for the work or his employees on the work, together with all pipes and fittings or other means that may be necessary or required to ensure a proper and ample supply of water for all purposes connected with the work.

Water will be supplied from the BHEL supply system, or other sources at one point fixed by the Engineer-in-charge on the site of work at free of cost. The Contractor shall make necessary arrangement for lifting pumping, carrying or conveying the water as required at his own cost.

20. **Temporary Workshops, Stores Etc.:**

The Contractor shall, during the progress of the work provide, erect and maintain at his own expense all necessary temporary workshops, stores, offices, etc., required for the proper and efficient execution of the work. The planning, siting and erection of these buildings shall have the approval of the Engineer-in-charge and the Contractor shall at all times keep them tidy and in a clean and sanitary condition to the entire satisfaction of the Engineer-in-charge.

On completion of the work all such temporary buildings shall be cleared away and the site restored and left in a clean and tidy condition to the entire satisfaction of the Engineer-in-charge.

21. **Stores and Materials on Site:**

All stores and materials required for the work are to be deposited by the Contractor only in places to be indicated by the Engineer-in-charge.

Where in accordance with the contract stipulations certain Stores & Materials (for incorporation in the work) are to be issued to the Contractor by the BHEL as detailed under Schedule 'B' **such items will be so issued only to the extent required for the actual completion of the work** as stipulated in the contract. The decision of the Engineer-in-charge regarding the quantities to be issued as above shall be final and binding on the contractor. For any excess quantities consumed on the work upto 5% over the theoretical consumption will be charged at issue rates and excess consumption beyond this limit, their cost will be recovered from the Contractor at punitive rates which will be 100% (Hundred Percent) more than the issue rates of the BHEL as specified in the Instructions to the Tenderers.

In regard to the materials and stores which may be issued to the Contractor by BHEL the Contractor shall give the Engineer-in-charge reasonable notice in writing of his requirements of such stores and materials and on the approval of his demand being notified to him, he shall make immediate arrangements for drawing the same. Such stores and materials shall be transported by the Contractor at his own expense direct from the place of issue to the site of the work, unless prior written approval is obtained from the Engineer-in-charge to take them to a Store or Workshop elsewhere.

The Contractor shall have to build a weather proof shed for the storage of cement required for 15 days consumption of the work.

BHEL Officers connected with the Contract shall have the power at any time to inspect and examine any stores or materials intended to be used in or on the work, whether on the site or at any factory or workshop or other place where such stores or materials are being fabricated or manufactured or at any place where the same are lying and the contractor shall give necessary facilities for such inspection and examination.

The Engineer-in-charge shall be entitled to have tests made of any stores or materials supplied by the Contractor who shall provide at his own expense all facilities which the Engineer-in-charge may require for this purpose. If at the discretion of the Engineer-in-charge an independent expert is employed to make

any such tests his charges shall be borne by the Contractor only if the test discloses that the said stores or materials are not in accordance with the provisions of the Contract.

Should the Engineer-in-charge consider at any time during the construction or re-construction, on prior to the expiry of the "MAINTENANCE PERIOD" that the stores or materials provided by the Contractor are unsound or of a quality inferior to that contracted for or otherwise not in accordance with the contract (in respect whereof the decision of the Engineer-in-charge shall be final and conclusive) the Contractor, shall on demand, in writing from the Engineer-in-charge specifying the Stores or materials complained of, notwithstanding that the same may have been inadvertently passed, certified and paid for, forthwith remove the stores or materials so specified and provide other proper and suitable stores or materials at his own expense; to the entire satisfaction of the Engineer-in-charge and in the event of his failing to do so within a period to be specified by the Engineer-in-charge in his demand aforesaid the Engineer-in-charge may replace within others the stores or materials complained of at the risk and expense in all respects of the Contractor. The liability of the contractor under this condition shall not extend beyond the maintenance period aforesaid except as regards stores or materials which the Engineer-in-charge shall have previously given notice to the contractor to replace.

All stores and materials brought to the Site shall become and remain the property of B.H.E.L and shall not be removed from the site without prior written approval of the Engineer-in-charge. However, when the work is finally completed, the Contractor shall at his own expense forthwith remove from the site all surplus stores or materials originally supplied by him and upon such removal, the same shall revert in and become the property of Contractor. All B.H.E.L Stores and materials issued to Contractor for incorporation or fixing in the work and which, making due allowance for reasonable wear and tear/or waste, have not on completion of the work been so incorporated or fixed, shall be returned by the Contractor at his own expense to the place of issue.

Credit for surplus stores and/ or materials returned by the contractor to B.H.E.L will be given to him at a price based on the prevailing market rate but not exceeding that at which the said stores and materials were originally issued to him but due consideration shall be given to the allowance claimed by B.H.E.L in respect or any depreciation or damage suffered by the stores and/or materials whilst in the custody of the Contractor regarding which the decision of Engineer-in-charge shall be final and conclusive.

If, in the opinion of the Engineer-in-charge (which shall be final and conclusive) any stores, supplied by B.H.E.L have either during currency of the work or after completion of the work whilst under the custody of the Contractor, become damaged to such an extent that they cannot be usefully utilized, either in the same work or in other works, the Engineer-in-charge shall not accept the stores and in the event of his rejection the contractor shall be charged for the said Stores at a rate as fixed by the Accepting Officer. The Contractor shall not be entitled to any claim whatsoever on this account.

22. Tools and Plants on site:

All tools, plants and equipment brought to the site shall become the property of B.H.E.L and shall not be removed from the site without the prior written approval of the Engineer-in-charge when the work is finally completed or the Contract is determined for reasons other than the default of the Contractor he shall forthwith remove from the site all tools, plants, equipments etc., (other than those as may have been provided by B.H.E.L) and upon such removal, the same shall in, and become the property of the Contractor.

23. Statement of Hire Charges:

A monthly detailed statement of the hire charge incurred in respect of B.H.E.L tools, plants, equipments etc., shall be given to the Contractor by the Engineer-in-charge.

24. Precaution Against risks:

The Contractor shall be responsible for providing at his own expense, for all precautions to prevent loss or damage from any and all risks and to minimize the amount of any such loss or damage and for the necessary steps to be taken for the said purpose until the works have been handed over complete in all respect of the Engineer-in-charge.

The Contractor shall provide all watchmen necessary for the protection of the site, the work, the materials, tools, plants, equipments and anything else lying on the Site during the progress of the work. He shall be solely responsible for and shall take all reasonable and proper steps for protecting, securing, lighting and watching, all places on or about the work and the Site which may be dangerous to any person whomsoever.

25. Notices and Fees:

The Contractor shall give all notices required by any Statutory provision or by the regulations and/or bylaws of any local Authority and/or of any Public Service, Company or Authority affected by the work or with whose system the same are or will be connected. The Contractor shall pay and indemnify B.H.E.L against any fees and charges payable under such Acts. Regulation and/or bylaws in respect of the work and shall make and supply all drawings and plans required in connection with any such notice.

26. Setting out of the Works and Protective and Maintaining Signals and Works:

The Engineer-in-charge shall supply dimensioned drawings, levels and other information necessary to enable the contractor to set out the work. The Contractor shall at his own expense set accurately according to the drawings and figured dimension thereon, all the work comprised in the contract and any extras or additions there-to and shall be solely responsible for their being so set out and executed. All bench marks, pegs, signals on the surface, alignment stones, milestones and all similar marks whether put in by B.H.E.L Authorities for the purpose of checking the Contractor's work or in the nature of permanent survey marks will during the tenure of the contract, be under the care of the Contractor who shall, at his own expense, take all proper and reasonable precautions and care to preserve and maintain them in their true position. In the event of these marks being disturbed or obliterated by accident or due to any other cause whatsoever, the same may, if deemed necessary, be replaced by the Engineer-in-charge at the Contractor's expense and the cost thereof deducted from any money then or thereafter becoming due to the Contractor.

Where requested by the Contractor, the level marks, center line and chainage pegs corresponding to those shown on the Drawing will be pointed out to the Contractor on the ground but all bench marks or chainage pegs additional to those shown on the Drawing will be set out by BHEL authorities.

27. Site Drainage:

All water that may accumulate on the site during the progress of the work or in trenches and excavations shall be removed to the entire satisfaction of the Engineer-in-charge and at Contractor's expense.

28. Excavations, Relics Etc.:

Material of any kind obtained from excavation on the site shall remain the property of BHEL and shall be disposed off as Engineer-in-Charge directs.

All gold, silver, oil and other minerals of any description and all precious stones, coins, treasures, relics, antiques and other similar items which may be found in or upon the site shall be the property of Bharat Heavy Electricals Limited and the Contractor shall duly preserve the same to the satisfaction of the BHEL and shall from time to time deliver the same to such person or persons as the B.H.E.L may appoint to receive the same.

29. Foundations:

The Contractor shall not lay any foundations until the excavations for the same have been examined and approved in writing by the Engineer-in-charge.

30. Covering-in Work:

The Contractor shall give reasonable notice in writing to the Engineer-in-charge whenever any work is to be permanently covered up or concealed, whether by earth or other means so that it can finally be inspected or measured if necessary. In default of so doing, the Contractor shall, if required by the Engineer-in-charge uncover such work at his own expense.

31. Approval of works by Stages:

All work embracing more than one process shall be subject to examination and approval at each stage thereof and the Contractor shall give due notice in writing to the Engineer-in-charge when each stage is ready. In default of such notice being received, the Engineer-in-charge shall be entitled to approve the quality and extent thereof at any time he may choose and in the event of any dispute, the decision of the Engineer-in-charge thereon shall be final and conclusive.

32. Execution of the Work:

The work shall be executed in a workman-like manner and to the satisfaction in all respects of the Engineer-in-charge.

The Engineer-in-charge will communicate or confirm his instructions to the Contractor in respect of the execution of the Work in a "Work Site Order Book" maintained at his office and the Contractor shall visit this office daily and shall confirm receipt of such instructions by signing the relevant entries in this book. Such entries will rank as order or notices in writing within the intent and meaning of these conditions.

33. Day Work:

No day-work shall be performed without the prior written instructions of the Accepting Officer.

The Contractor shall give to the Engineer-in-charge reasonable notice of the start of any work ordered to be executed by day-work and shall deliver to the Engineer-in-charge within two days of the end of each pay week a return in duplicate giving full detailed accounts of labour and materials for that pay-week. One copy of each of these returns, if found correct, will be certified by the Engineer-in-charge and returned to the contractor and must be produced at the time of adjustment of accounts.

An invoice in duplicate signed by the Contractor or his agent shall be sent with each delivery of materials for day-work and the Contractor will be furnished with a receipt signed by the Engineer-in-charge specifying the description, quantities weight or measurement (as the case may be) of the articles approved, reference will be made in this receipt in the return aforesaid and the Contractor's Bill.

In the case of Lumpsum Contracts, the rates to be charged and the percentage addition for profit and establishment charges, etc., will be agreed upon between the Accepting Officer and the Contractor prior to the execution of the work.

34. Inspection of the Work:

B.H.E.L Officers concerned with the Contract shall have power at any time to inspect and examine any part of the work and the Contractor shall give such facilities as may be required to be given for such inspection and examination Should Engineer-in-charge consider, at any time during the expiry of the maintenance period, that any work has been executed with unsound, imperfect or unskilled workmanship or of a quality inferior to that contracted for or not otherwise in accordance with the contract (in respect) whereof the decision of the Engineer-in-charge shall be final and conclusive the Contractor shall on demand in writing from the Engineer-in-charge specifying the fault notwithstanding that the same may have been inadvertently passed, certified and paid for, forthwith rectify or remove and reconstruct the

work so specified in whole or in part as the case may be required at his own expense to the entire satisfaction of the Engineer-in-charge and in the event of his failing to do so within a period to be specified by the Engineer-in-charge in his demand as aforesaid, the Engineer-in-charge may carry out the work by other means at the risk and expense in all respects of the Contractor. However, the liability of the Contractor under this condition shall not extend beyond the maintenance period except as regards workmanship which the Engineer-in-charge shall have previously given notice to the Contractor to rectify.

35. Responsibility for Building:

In the event of any building or part of any building being handed over to the Contractor for the execution of work thereto under the provisions of the Contract, he shall give a written receipt for all fixtures, glass etc. and he shall be required to make good at his own expense all damages resulting from any cause whatsoever while in his charge and on completion of the work to deliver the said building or part thereof in a clean state complete in every particular to the entire satisfaction of the Engineer-in-charge.

36. Damage and loss to private property and injury to workmen:

The contractor shall at his own expense reinstate and make good to the satisfaction of the Engineer-in-charge and pay compensation for any injury, loss or damage occasioned to any property or rights whatever including property and rights of **B.H.E.L.**, (or agents, servants or employees of **B.H.E.L.**) the injury loss or damage arising out of or in anyway in connection with the execution or purported execution of the contract and further the contractor shall indemnify **B.H.E.L.**, against all claims enforceable against **B.H.E.L.**, or any agent, servant, or employee of **B.H.E.L.** a private person, in respect of any such injury (including injury resulting in death loss or damage to any person) whosoever or property, including all claims which may arise under the workmen's Compensation Act or otherwise, or which would be enforceable against **B.H.E.L.**

37. Cancellation of Contract for Corrupt Acts:

The Accepting Officer, whose decision shall be final and conclusive, shall, without prejudice to any other right or remedy which shall have accrued or shall accrue thereafter to Bharat Heavy Electricals Limited, cancel the contract in any of the following cases and the Contractor shall be liable to make payment to **B.H.E.L.** for any loss or damage resulting from any such cancellation for default.

If the Contractor shall:

- a. Offer or give or agree to give to any person in **BHEL** service any gift or consideration of any kind as an inducement or reward for doing or for bearing to do or for having done or forborne to do a day act in relation to the obtaining or execution of this or any other contract for **BHEL** service **OR**
- b. Enter into a contract with **B.H.E.L.** in connection with which commission has been paid or agreed to be paid by him or with his knowledge, unless the particulars of any such commission and the terms of payment thereof have previously been disclosed in writing to the Accepting Officer, **OR**
- c. Obtain a contract with **B.H.E.L.** as a result of ring tendering or by non-bonafide methods of competitive tendering without first disclosing the fact in writing to the Accepting Officer.

38. Cancellation of Contract for Insolvency, Assignment or Transfer or Sub-Letting of Contract:

The Accepting Officer, without prejudice to any other right or remedy which shall accrue thereafter to **B.H.E.L.** shall cancel the contract in any of the following cases:

If the Contractor,

- a. Being an individual, or if a firm any partner thereof shall at any time be adjudged bankrupt or have a receiving order or orders for administration of his Estate made against him or shall take any proceedings, for liquidation or composition under any Bankruptcy Act for the time being in force or

CONTRACTOR

Page 65 of 177

ACCEPTING OFFICER

make any conveyance or assignment of his effects of composition or arrangement for the benefit of his creditor or purport to do so, or if any application be made under any Bankruptcy Act for the time being in force for the sequestration of his Estate or if a trust deed be granted by him on behalf of his creditors, OR

- b. Being a Company, shall pass a resolution or the Court shall make an order for the liquidation of its affairs, or a Receiver or Manager on behalf of the debentures holders shall be appointed or circumstances shall arise which entitle the court or debentures holders to appoint a Receiver or Manager **OR**.
- c. Assigns, transfers, sub-lets or attempts to assign, transfer or sub-let any portion of the work without the prior written approval of the Accepting Officer. **OR**
- d. Shall suffer an execution being levied on his goods and allow it to be continued for a period of 21 days.

Cancellation of contract in part or in full for contractor's default:

If the Contractor:

- a) makes default in commencing the work within a reasonable time from the date of handing over of the site and continue in that state after a reasonable notice from Engineer-in-charge, OR
- b) in the opinion of the Engineer-in-charge at any time, whether before or after the date or extended date for completion, makes default in proceeding with the work, with due diligence and continue in that state after a notice of seven days from Engineer-in-charge, OR
- c) fails to comply with any of the terms and conditions of the contract or after 7 days notice in writing with orders properly issued there under, (OR)
- d) fails to complete the work order and items of work individual dates for completion and clear the site on or before the date of completion or fails to achieve the progress as set out under clauses 7 of these General Conditions of Contract.

39. Termination of Contract for Death:

Without prejudice to any of the rights or remedies under this contract if the contractor dies, the accepting Officer shall have the opinion of terminating the contract without compensation to the contractor.

40. Special Powers of Determination:

If at any time after the acceptance of the tender B.H.E.L shall for any reason whatsoever not require the whole or any part of the work, to be carried out the project Manager/Engineer shall give notice in writing of the fact to the Contractor who shall have no claim to any payment of compensation or otherwise howsoever on account of any profit or advantage which he might have derived from the execution of the work in full but which he did not derive in consequence of the foreclosing of the work.

He shall be paid at Contract rates, for the full amount of the work executed including such additional works, e.g. clearing of site, etc., as may be rendered necessary by the said fore closing. He shall also be allowed a reasonable payment (as decided by the Accepting Officer) for any expenses sustained on account of labour and materials collected but which could not be utilised on the work, as verified by the Engineer-in-charge. Neither shall the Contractor have any claim for compensation on account of any alterations having been made in the original specifications, drawings, designs and instructions, involving any curtailment of the work as originally contemplated.

41. Fair Wage

- a) The contractor shall pay not less than the “Fair Wage” to labourers engaged by him on the work. “Fair Wage” means wage whether for time or piece work notified at the time of inviting tenders for the work and where such wages have not been notified the wages prescribed by the Project Manager/Engineer for the stations at which the work is done.
- b) The Contractor shall not be withstanding the provision of any contract to the contrary, cause to be paid a “Fair Wage” to labourers indirectly engaged on the work, including any labour engaged by the Sub-Contractors in connection with the said work, as if the labourers had been directly employed by him.
- c) In respect of labourers directly or indirectly employed on the work for the performance of the Contractors part of this Agreement, the Contractor shall comply with or cause to be complied with B.H.E.L Contractor’s Labour Regulations (appended here to as Annexure ‘A’ to these conditions) in regard to payment of wages, wage period deduction from wages, recovery of wages not paid and deductions unauthorisedly made, maintenance of wage book, wage-slips publication of scale of wage and other terms of employment inspection and submission of periodical returns and all other matters of alike nature.
- d) The Engineer-in-charge concerned shall have the right to deduct from the money due to the contractor any sum required or estimated to be required for making good the loss suffered by a worker or workers by reason of non-fulfilment of the conditions of the contract for the benefit of the workers non-payment of wages or of deductions made from his or their wages which are not justified by the terms of the contract or non-observance of the regulations.
- e) The Contractor shall be liable primarily for all payments to be made under the contract and for the observance of the Regulations aforesaid without prejudice to his right to claim indemnity from his sub-contractors.
- f) The regulations aforesaid shall be deemed to be a part of this contract and any breach thereof shall be deemed to be a breach of this Contract.

CHAPTER III

42. Valuation of Deviations:

Rates for deviated items of work will be fixed as follows: -

1. For any item of work required to be carried out after the contract has been awarded and which is not covered by Contractor’s Schedule but is covered by B.H.E.L Schedule of rates the rate payable for such a fresh item will be derived from B.H.E.L Schedule by the method of proportion as follows:
 - a. In the same proportion to rate in B.H.E.L Schedule of Rates as the tendered rate for the nearest analogous item of work in Contractor’s schedule bears to rate for the particular analogous item of work in B.H.E.L Schedule of rates.
 - b. If a single appropriate analogous item of work is not available in both Schedule (Contractor’s and B.H.E.L Schedule) then the method of proportion will be applied to the nearest analogous group of items available in both the Schedules referred to i.e. in the same proportion as the total tendered cost of that particular group of items (the sum of the products of the tendered rates and the quantities for which orders are placed bears to the total cost of the same items and quantities at the B.H.E.L Schedule of Rates.

- c. If even an appropriate analogous group of items is not available in Contractor's Schedule and B.H.E.L Schedule, then the methods of proportion will be applied to all those items of the whole work, which are available in both the Schedules and for which orders have been placed on the contractor, i.e., in the same proportion as the total cost of all these items of work (the sum of the products of the tendered rates and the quantities for which orders are placed) bears to the total cost of the same items and qualities at the B.H.E.L Schedule of Rates.
2. If any work not covered by any of the foregoing is ordered on the Contractor, the basis of payment shall be decided by the Accepting Officer whose decision shall be final and conclusive and binding on the parties.

The selection of analogous items or analogous group of items referred to above shall be done by the Engineer-in-charge. Where the rates for deviated items or new items of work can be derived by the selection of different analogous items or analogous group of items, the lowest of all such derived rates shall be taken as the correct rate.

In the case of the contracts for which the Engineer-in-charge is the Accepting Officer, all disputes regarding the settlement of rates of deviated or new items or work shall be referred to the Deputy Manager/Manager whose decision shall be final and conclusive as the case may be.

43. Recovery from Contractor:

Whenever under the contract any sum of money shall be recoverable from or payable by the contractor the same may be deducted from any sum then due or which at any time thereafter may become due to the Contractor under the contract or under any other Contract with BHEL or from his Security Deposit or he shall pay the claim on demand.

44. Post Technical Audit of Work and Bills:

BHEL reserves the right to carry out a post-payment audit and technical examination of the work and final bill including all supporting vouchers, abstracts etc., and to enforce recovery of any sums becoming due as a result thereof in the manner provided in the preceding sub-paragraphs provided however that no such recovery shall be enforced after three years of passing the final bill.

45. Materials Issued by BHEL

1. Unless otherwise indicated in the Bill of Quantities cement, reinforcement steel (MS rods, CTD bars etc.), structural steel sections and other items (as mentioned in Schedule B) will be issued at BHEL Stores at free of cost. The Contractor's quoted rates shall therefore be inclusive of the cost of conveyance of these items from BHEL Stores to site of work including, loading, unloading and other incidental costs etc. The quantities of each items to the extent required for actual incorporation of the work will be treated as ISSUED FREE OF COST.

2. **CEMENT:**

Excess consumption of cement over and above the theoretical requirement as per BHEL Data upto a limit of 5% will be charged at the rate of Rs. 7191/per M.T. + applicable taxes at the time of recovery.

Consumption beyond 5% will be charged at the punitive recovery rate of Rs. 14,382/per M.T.+ applicable taxes at the time of recovery.

The above rates are only indicative and BHEL issue rate on date of actual recovery will be applied.

Gunny bags or Polythene Bags or Paper Bags in which cement is issued from BHEL Stores, need not be returned by Contractor to BHEL. The cost for each empty cement bag will be recovered from the Contractor's bills at the following rates.

i.	Empty cement gunny bag	Rs.1.25 + Applicable GST / each
ii	Empty Polythene bag	Rs. 0.50 + Applicable GST / each
iii	Empty paper bag	Rs. 0.25 + Applicable GST / each.

3. REINFORCEMENT STEEL:

All surplus reinforcement rod with the contractor shall be returned to BHEL Stores at his own cost in the form of full lengths, useful cut bits and scrap. The invisible (non-returnable) wastage should not exceed a maximum of 0.5% of the actual quantity consumed in the work.

The contractor shall return all the scrap to the disposal stores at his own cost. Bent rods will also be taken as scrap only, irrespective of their length. The maximum permissible limit of scrap without recovery is 5% of actual consumption. The recovery details for the materials are as follows:

a)	Single recovery rate for the non-returned scrap up to 5% of actual consumption	:	Rs. 58,167/- per M.T + applicable taxes at the time of recovery
b)	The punitive recovery rate for steel qty. not accounted and extra scrap generated beyond 5% of actual consumption	:	Rs. 1,16,334/- per M.T. + applicable taxes at the time of recovery

The above rates are only indicative and BHEL issue rate on date of actual recovery will be applied.

4. STRUCTURAL STEEL SECTIONS:

All surplus raw steel remaining with the contractor shall be returned to BHEL stores at his own cost after completion of fabrication, in the form of full lengths, useful cut bits and scrap. The following yardstick will be adopted for the purpose of classification of scrap.

(a) Mild steel and alloy steel plates and sheets	500 X 250 mm and above	Useful cut bit
(b) Mild steel and alloy steel plates and sheets	Less than 500 X 250 mm	Scrap
(c) Structural	One metre and above in length	Useful cut bits
(d) Structural	Less than one metre in length	Scrap

The invisible (Non-returnable) wastage should not exceed a maximum of 2% by weight of fabricated steel work and returnable wastage generated by way of scrap or useful cutbits shall be returned at "Actuals". Maximum permissible limit for scrap without recovery shall be 5% of actual fabricated quantity. However, every care should be taken to see that raw steel is utilized most economically by preparing necessary cutting lists to restrict the scrap within the permissible limit.

Should the quantum of invisible wastage exceed the 2% permissible limit, RECOVERY AT TWO TIMES OF THE VALUE OF the extra tonnage involved (which will be evaluated on an average cost per tonne basis considering the total raw steel materials issued) will be effected from the contractor for the excess quantity involved **(2 times x Rs. 62,740 = Rs. 1,25,480 / MT + applicable taxes at the time of recovery).**

The above rates are only indicative and BHEL issue rate on date of actual **recovery**, will be applied.

The Contractor shall submit a material tallying statement on completion of the work indicating the details of quantities of each material (section by section) received quantities used for fabrication as per DOD lists. Quantity returned in full length, useful cut bits and scrap and the quantity reckoned as invisible wastage.

i)	For Structural Steel:	
a)	Single recovery rate for the non-returned scrap up to 5% of actual consumption	: Rs. 62,740 /- per M.T + applicable taxes at the time of recovery
b)	The punitive recovery rate for steel qty. not accounted and extra scrap generated beyond 5% of actual consumption	: Rs. 1,25,480 /- per M.T. + applicable taxes at the time of recovery

ii)	For Rails:	
a)	Single recovery rate for the non-returned scrap up to 5% of actual consumption	: Rs. 65,739/- per M.T + applicable taxes at the time of recovery
b)	The punitive recovery rate for steel qty. not accounted and extra scrap generated beyond 5% of actual consumption	: Rs. 1,31,478/- per M.T. + applicable taxes at the time of recovery

iii)	For ERW Tubes:d	
a)	Single recovery rate for the non-returned scrap up to 5% of actual consumption	: Rs. 42,534/- per M.T + applicable taxes at the time of recovery
b)	The punitive recovery rate for steel qty. not accounted and extra scrap generated beyond 5% of actual consumption	: Rs. 85, 068/- per M.T. + applicable taxes at the time of recovery

iii)	For Seamless Steel Tubes:	
a)	Single recovery rate for the non-returned scrap up to 5% of actual consumption	: Rs. 1,23,260/- per M.T + applicable taxes at the time of recovery
b)	The punitive recovery rate for steel qty. not accounted and extra scrap generated beyond 5% of actual consumption	: Rs. 2, 46,520/- per M.T. + applicable taxes at the time of recovery

The above rates are only indicative and BHEL issue rate on date of actual **recovery**, will be applied.

5. The Contractor should maintain proper accounts of cement, MS rods / CTD bars, structural steel sections and other materials if any supplied by this organization and these should be available at the site of the work for verification and check by the official of this organization at any time.
6. All materials brought by the Contractor for incorporation in the work shall be got inspected and approved by the Engineer-in-charge before they are incorporated in the work
7. The Engineer-in-Charge or his duly authorized representative shall have all reasonable times access to Contractor's premises of work and shall have the power at all the reasonable times to inspect and test any portion of the work or examine the materials and workmanship of the structures during their manufacture and test. The contractor shall give due notice in writing to the Inspecting Engineer of BHEL

when the materials supplied to be incorporated in the work are ready for Inspection and test. No material shall be incorporated in the work until the inspecting Engineer certified in writing that such materials have been inspected and approved by him.

8. The Contractor shall closely scrutinize all the drawings issued in connection with the work by this organization and bring to the notice of the Engineer-in-charge if any discrepancies, omissions in the drawings before undertaking the actual work pertaining thereto.
9. The contractor should submit in advance every fortnight a detailed programme of work to be undertaken from time to time strictly in conformities with the "Time and Progress Chart" covering the entire constructed work and reschedule them wherever necessary during the progress of the work so as to achieve the target set. Periodical progress reports of every fortnight should also be furnished by the Contractor regarding the collection of materials issued and to be issued from BHEL Stores and other relevant information as asked for by the Engineer-in-charge and other BHEL Officers-in-charge of the work.
10. The contractor should extend full co-operation to the other contractors who may be doing other works in the same areas to enable them to execute their portions of work without any delay or difficulty

46. Liquidated Damages for AMC Contracts

1. Daily Reporting Requirement:

- a. There exist different work areas (North, South, External, SSTP & Unit II) in the factory complex. The Contractor or his authorised representative shall report to the Engineer-in-Charge (EIC) of **09:00 AM** daily.
- b. Failure to report by 09:00 AM shall be treated as **Non-Deployment of Supervisor and Recovery** shall be made at **prevailing minimum wages (including statutory components) + 5% overhead per day.**

2. Sub Work Orders

- a. Sub work orders will be issued through e-mail under this contract with specific completion period.
- b. Sub work orders will be classified as "Maintenance Category" and "Other Category" works.
- c. The Contractor shall commence the work **immediately upon issue** of SWO.

3. Delay in Commencement of Sub Work Orders (Maintenance Category & Other Category)

- a. If the Contractor fails to commence the work within **7 days** from SWO issue date, delay attributable to the Contractor shall attract Liquidated damages @ Rs 1000 per day from day 8 till day 14
- b. If the Contractor does not commence the work even after **14 days**, BHEL May cancel the sub work order and get the work executed through alternative agency. 10% of the Sub Work order value will be recovered from the bills / amounts due to th contractor upon cancellation of the sub work order.

4. "Other Category" Sub Work orders

- a) Immediately after issue of "Other" category sub work order and before work is to begin, the Engineer-in-charge and the Contractor shall agree to a Time and Progress Chart with due consideration of completion date given in the sub work order. In any case the completion date given

in the sub work order can't be extended without proper approval from the competent authority which has to be substantiated with documents such as Hindrance register etc., Hindrance register shall be maintained by Engineer in Charge.

- b) Contractor must examine the SWO and inform the Engineer In-charge in writing about additional required items (if any) before starting the work
- c) In the absence of any specific Time and Progress chart to be agreed between the Contractor and the Engineer-in-charge, the contractor shall ensure and maintain uninterrupted progress of the work such that the entire work shall be completed within the time imposed in the other category sub work order and that the proportion of work completed up to any time in relation to the entire work to be under the sub work Order shall not be less than the proportion that the time elapsed bears to the total time of completion provided in the other category sub work order.
- d) If the contractor fails to complete the "other" category sub work orders within the stipulated completion date as mentioned in the sub work order or as per the due date for completion as approved by the Engineer in-Charge, which is binding both the parties, Liquidated Damage will be imposed (Ref Clause 6).

5. "Maintenance Category" Sub Work Orders

- a) Within the scope of these maintenance category sub-work orders, the contractor is responsible for attending maintenance-related complaints communicated by the Engineer in charge. The contractor must evaluate these complaints and perform the necessary work accordingly. If there are any items of work which is not covered under the sub-work order which is required for addressing these complaints, the contractor must inform the Engineer in charge for inclusion such items in the sub work order. This communication is essential to ensure the inclusion of such items in the sub-work order, to facilitate the smooth execution of maintenance complaints.
- b) The Maintenance complaints under maintenance category sub work orders have to be attended / resolved at the end of day or within the time as decided by the Engineer in charge.
- c) If the contractor fails to complete the maintenance complaint within the completion schedule as communicated by Engineer-in-charge under Maintenance category work, such complaint shall be withdrawn from the contractor and the same shall be executed by engaging alternate agency without any further notice. Subsequently, a penalty shall be recovered from the dues of the defaulting contractor as calculated below.

$$\text{Penalty Amount} = [(A-B) + (A \times H/100)]$$

Where,

- A = Value of work executed by engaging alternate agency.
- B = Value of Work as per awarded rates to the defaulting contractor
- H = Overhead Factor to be taken as 10.

In case (A-B) is less than 0 (zero), value of (A-B) shall be taken as 0 (zero).

- d) If there are complaints that have been withdrawn from a sub work order, as referred to in the preceding clauses and the value of such withdrawn complaints as assessed by the Engineer in Charge which is final & binding the contractor, exceeds 5% of that specific sub-work order's value, due to contractor's unsatisfactory performance, the sub-work order itself shall be withdrawn from the contractor without further notice. The sub work order shall be executed by other agency. Subsequently, a penalty of 10% of

the sub-work order value will be deducted from the payments due to the contractor who failed to attend the maintenance complaints.

6. LIQUIDATED DAMAGES FOR "OTHER CATEGORY" SUB WORK ORDERS

- a) If the contractor fails to maintain the required progress of work which results in delay in the completion of the work as per the sub work order, BHEL shall have the right to impose Liquidated Damage at the rate of 1% of Sub Work order value per week or part thereof delay subject to a maximum of 10 % of Sub Work order value.
- b) Sub Work order value - Value for this purpose, shall be the final executed value only, by the contractor.
- c) if the contractor fails to complete the 'other' category sub work orders for reasons of delay, attributed to the contractor, where delay occurred is such that
 - i) even after the imposition of LD at 10 % (or)
 - ii) with delay period attributable to the contractor has equaled / exceeded half the original delivery period specified in the sub work order.

whichever among the above is earlier, the engineer in-charge may cancel the sub work order and execute the balance work by engaging alternate agency. In such cases, penalty of 10 % of Sub work order value shall be recovered from the dues of the defaulting contractor.

7.CANCELLATION / TERMINATION OF CONTRACT

During the original contract period or its extensions if any, BHEL reserves the rights to terminate the contract or withdraw portion of work and get it done through other agency, after due notice of a period of 14 days (this period can be reduced in case of urgency or increased otherwise) by BHEL in any of the following cases

- a) Contractor's poor progress of the work vis-à-vis execution timeline as stipulated in the Contract, backlog attributable to contractor including unexecuted portion of work does not appear to be executable within balance available period (#) considering contractor's performance of execution.
- b) Withdrawal from or abandonment of the work by contractor before completion of the work as per contract.
- c) Non completion of work by the Contractor within scheduled completion period as per Contract or as extended from time to time, for the reasons attributable to the contractor.
- d) Termination of Contract on account of any other reason (s) attributable to Contractor.
- e) Assignment, transfer, subletting of Contract without BHEL's written permission resulting in termination of Contract or part thereof by BHEL.
- f) Non-compliance to any contractual condition or any other default attributable to Contractor.
- g) Non Commencement of Work within the period as mentioned in the contract.

In-case inputs from BHEL are likely to be delayed or are actually delayed, this delay may also be taken into account while considering balance period available for execution of Contract.

8. Any tools/spares/machinery (other than free issue materials) issued by BHEL on written request by contractor will be on chargeable basis and based on availability. The charges shall be decided by BHEL and deemed to be final binding the contractor.

47 BHEL CONTRACTOR'S LABOUR REGULATIONS

1. Definition:

In these regulations, unless otherwise expressed or indicated, the following words and expressions shall have the meaning hereby assigned to them.

- a. "Labour" means workers employed by a contractor directly, or indirectly through a sub-contractor, or by an agent on his behalf on a payment not exceeding Rs.500 per month.
- b. "Fair Wage" means wages, which shall include wages for weekly day of rest and other allowances, whether for time or piece work, after taking into consideration prevailing market rates for similar employments in the neighborhood but shall not be less than the minimum rates of wages fixed under the minimum Wages Act.
- c. "Contractor" for the purpose of these Regulations shall include an agent or Sub-Contractor employing labour on the work taken on contract.
- d. "Inspecting Officer" means any Labour Enforcement Officer, or Assistant Labour Commissioners of the Chief Labour Commissioner's Organization.
- e. "Form" means a form appended to these Regulations.

2. Notice of Commencement:

The Contractor shall, within **SEVEN DAYS** of commencement of the work, furnish in writing to the Inspecting Officer of the area concerned the following information with copy to the Engineer-in-charge.

- a) Name and situation of the work.
- b) Contractor's name and address.
- c) Particulars of the Department for which the work is undertaken.
- d) Name and address of sub-contractors as and when they are appointed
- e) Commencement and probable duration of the work
- f) Number of workers employed and likely to be employed,
- g) 'Fair wages' for different categories of workers.

3.

- (i) Number of hours which shall constitute a normal working day:
The number of hours which shall constitute a normal working day for an adult shall be **NINE** hours. The working day of an adult worker shall be so arranged that of intervals, if any, for rest it shall not spread over more than twelve hours on any day. When an adult worker is made to work for more than **NINE** hours on any day or for more than **FORTY-EIGHT** hours in any week he shall in respect of overtime work, be paid wages at double the ordinary rate of wages.
- (ii) Weekly day of rest: Every worker shall be given a weekly day of rest which shall be fixed and notified atleast **TEN** days in advance. A worker shall not be required or allowed to work on the weekly rest day unless he has or will have a substituted rest day, on one of five days immediately before or after the rest day. Provided that no substitution shall be made which will result in the worker working for more than ten days consecutively without a rest day for a whole day.

Where in accordance with the foregoing provisions a worker works on the rest day and has been given a substituted rest day he shall be paid wages for the work done on the weekly rest day at the overtime rate of wages.

NOTE: The expression 'Ordinary rate of wages' means the fair wage the worker is entitled to.

4. Display of Notice Regarding Wages, Weekly Day of Rest, Etc.:

The Contractor shall before he commences his work on contract display and correctly maintain and continue to display and correctly maintain in clean and legible condition in conspicuous places on the works, notice in English and in the local Indian languages, spoken by majority of workers, given the rate of fair wages, the hours of work for which such wages are payable, the weekly rest days workers are entitled to and name and address of the Inspecting Officer. The Contractor shall send a copy each of such notices to the Inspecting Officers and the Engineer-in-charge.

5. Fixation of Wage Periods:

The Contractor shall fix wage periods in respect of which wages shall be payable. No wage period shall normally exceed one week.

6. Payment of Wages:

Wages due to every worker shall be paid to him direct. All wages shall be paid in current coins or currency or in both.

Wages of every worker employed on the contract shall be paid where the wage period is one week, within, **THREE DAYS** from the end of the wage period, and in any other case before the expiry of the 7th day or 10th day from the end of the wage period according as number of workers does not exceed 1,000.

- (i) When employment of any worker is terminated by or on behalf of the contractor, the wages earned by him shall be paid before expiry of the day succeeding the one on which his employment is terminated.
- (ii) Payment of wages shall be made at the work site on a working day except when the work is completed before expiry of the wage period, in which case final payment shall be made at the work site within 48 hours of the last working day and during normal working time.

NOTE: The term "Working Day" means a day on which the work on which labour is employed is in progress.

7. Register of Workmen:

A register of workmen shall be maintained in the form appended to these regulations and kept at the work site or as near to it as possible, and the relevant particulars of every workmen shall be entered therein within **THREE** days of his employment.

8. Employment Card:

The Contractor shall issue an employment card in the Form appended to these regulations to each worker on the day of work or entry into his employment. If a worker has already any such card with him issued by the previous employer the contractor shall merely endorse that Employment Card with relevant entries. On termination of employment the Employment Card shall again be endorsed by the Contractor and returned to the worker.

9. Register of Wages etc.:

- (i) A register of Wages-cum-Muster Roll in the Form appended to these regulations shall be maintained and kept at the work site or as near to it as possible.
- (ii) A wage slip in the form appended to these regulations shall be issued to every worker employed by the Contractor atleast a day prior to disbursement of wages.

10.Fines and Deductions which may be made from wages:

- (i) Wages of worker shall be paid to him without any deductions of any kind except the following:
 - a. Fines;
 - b. Deductions for absence from duty, i.e., from the place or the places where by the terms of his employment he is required to work. The amount of deduction shall be in proportion to the period for which he was absent.
 - c. Deduction for damage to or loss of goods expressly entrusted to the employed person for custody, or for loss of money which he is required to account for, where such damage or loss is directly attributable to his neglect or default;
 - d. Deductions for recovery of advances or for adjustment of overpayment of a wages. Advance granted shall be entered in a register;

and

 - e. Any other deduction, which the B.H.E.L may from time to allow.
- (ii) No fines shall be imposed on a worker save in respect of such acts and omissions on his part as have been approved by the Chief Labour Commissioner.
- (iii) No fines shall be imposed on a worker and no deductions for damage or loss shall be made from wages until the worker has been given an opportunity of showing cause against such fines or deductions.
- (iv) The total amount of fines which may be imposed in any one wage period on a worker shall not exceed an amount equal to three paise in rupee of the wages payable to him in respect of that wage period.
- (v) No fine imposed on a worker shall be recovered from him in instalments, or after expiry of sixty days from the date on which it was imposed. Every fine shall deemed to have been imposed on the day of the act or omission in respect of which it was imposed.
- (vi) The Contractor shall maintain both in English and the local Indian language a list, approved by the Chief Labour Commissioner, clearly stating the acts and omissions for which penalty or fine may be imposed on a workman and display it in good condition in a conspicuous place on the work site.
- (vii) The Contractor shall maintain a register of fines and the register of deductions for damage or loss in the Forms appended to these regulations which should be kept at the place of work.

11. Register of Accidents:

The Contractor shall maintain a register of accidents in such form as may be convenient at the work place but the same shall include the following particulars:

- a. Full particulars of the labourers who met with the accident.
- b. Rates of Wages.
- c. Sex
- d. Age
- e. Nature of accident and cause of accident.
- f. Time and date of accident.
- g. Date and time when admitted in hospital.
- h. Date of discharge from the hospital.
- i. Period of treatment and result of treatment.
- j. Percentage of loss of earning capacity and disability as assessed by Medical Officer.
- k. Claim required to be paid under Workmen's Compensation Act.
- l. Date of payment of compensation.
- m. Amount paid with details of the person to whom the same was paid.
- n. Authority by whom the compensation was assessed.
- o. Remarks.

12. Preservation of Registers:

The Register of Wages-cum-Muster Roll required to be maintained under these Regulations shall be preserved for 3 years after the date on which last entry is made therein.

13. Enforcement:

The Inspecting Officer shall either on his own motion or on a complaint received by him carry out investigations, and send a report to the Engineer-in-charge specifying the amounts representing workers, dues and amount of penalty to be imposed on the contractor for breach of these Regulations, that have to be recovered from the contractor, indicating full details of the recoveries proposed and the reasons therefore. It shall be obligatory on the part of the Engineer-in-Charge on receipt of such a report to deduct such amounts from payments due to the contractor.

14. Disposal of amounts recovered from the Contractor:

The Engineer-in-charge shall arrange payment to workers concerned within **FORTY FIVE** days from receipt of a report from the Inspecting Officer except in cases where the contractor had made an appeal under Regulation, 16 of these Regulations. In cases where there is an appeal, payments of workers, due would be arranged by the Engineer-in-charge, wherever such payments arise, within **THIRTY** days from the date of receipt of the decision of the Regional Labour Commissioner (R.L.C.).

15. Welfare Fund:

All money that are recovered by the Engineer-in-charge by way of workers, due which could not be disbursed to workers within the time-limit prescribed above, due to reasons such as where-about of workers not being known, death of a worker, etc., and also amounts recovered as penalty, shall be credited to a fund to be kept under the custody of B.H.E.L for such benefit and welfare of workmen employed by contractors.

16. Appeal against decision of Inspecting Officer:

Any person aggrieved by a decision of the Inspecting Officer may appeal against such decision to the Regional Labour Commissioner concerned within **THIRTY** days from the date of the decision, forwarding simultaneously a copy of his appeal to the Engineer-in-charge. The decision of the Regional Labour Commissioner shall be final and binding upon the Contractor and the workmen.

17.Representation of Parties:

- i. A workman shall be entitled to be represented in any investigation or enquiry under these Regulations by an Officer of a registered trade union of which the said trade union is affiliated or where the workman is not a member of any registered trade union, by an Officer of a registered trade union connected with, or any other workmen employed in the industry in which the worker is employed.
- ii. A Contractor shall be entitled to be represented in any investigation or enquiry under these Regulations by an officer of an association of contractors of which he is a member or by an officer of a Federation of Associations of Contractors to which the said association is affiliated or where the contractor is not a member of any association of employers, connected with, or by any other employer engaged in the industry in which the contractor is engaged.
- iii. No party shall be entitled to be represented by a legal practitioner in any investigation or enquiry under these Regulations.

18. Inspection of Books and other Documents:

The Contractor shall allow inspection of the Register and other documents prescribed under these Regulations by Inspecting Officer and the Engineer-in-charge or his authorized representative at any time and by the worker or his agent on receipt of due notice at a convenient time.

19. Interpretation etc.:

On any question as to the application, interpretation or effect of the Regulations the decision of the Chief Labour Commissioner or Deputy Chief Labour Commissioner (Central) shall be final and binding.

20.Amendments:

Central Government may, from time to time, add to or amend the Contractor's Labour Regulations and issue such directions as it may consider necessary for the proper implementation of the Contractor's Labour Regulations or for the purpose of removing any difficulty which may arise in the administration thereof, based on which the B.H.E.L., Contractor's Labour Regulations herein contained shall be subject to revision.

48. MODEL RULES FOR LABOUR WELFARE

1. Definition:

- a) 'Workplace' means a place at which, on an average, twenty or more workers are employed.
- b) 'Large Workplace' means a place at which on an average, 500 or more workers are employed.

2. **First Aid:** At every workplace, there shall be maintained in a readily accessible place first-aid appliances including an adequate supply of sterilized dressings and sterilized cotton wool as prescribed in the Factory Rules of the State in which the work is carried on. The appliances shall be kept in good order and, in large work places, they shall be placed under the charge of a responsible person who shall be readily available during working hours.

At large workplaces, where hospital facilities are not available within easy distance of the works First Aid posts shall be established and be run by a trained compounder.

Where large workplaces are remotely situated and far away from regular hospitals an indoor ward shall be provided with one bed for every 250 employees.

Where large workplaces are situated in cities, towns or in their suburbs and no beds are considered necessary owing to proximity of city or town hospitals, suitable transport shall be provided to facilitate removal of urgent cases to these hospitals. At other workplaces, some conveyance facilities shall be kept readily available to take injured person or persons suddenly taken seriously ill, to the nearest hospital.

At large workplaces there shall be provided and maintained an ambulance room of the prescribed sizes, containing the prescribed equipment and in the in-charge of such medical and nursing staff as may be prescribed. For this purpose the relevant provisions of the Factory Rules of the State Government of the area where the work is carried on may be taken as the prescribed standard.

3. **Accommodation for Labour:** The Contractor shall during the progress of the works provide, erect and maintain necessary temporary living accommodation and ancillary facilities for labour at his own expense and to standards and scales as approved by the Engineer-in-charge.
4. **Drinking Water:** In every workplace, there shall be provided and maintained at suitable places, easily accessible to labour, a sufficient supply of cold water fit for drinking. Where drinking water is obtained from an intermittent public water supply each workplace shall be provided with storage where drinking water shall be stored. Every water supply storage shall be at a distance of not less than 15 meters from any latrine drain or other source of pollution. Where water has to be drawn from an existing well, which is within such proximity of latrine drain or any other source of pollution, the well shall be properly chlorinated before water is drawn from it for drinking. All such wells shall be entirely closed in and be provided with a trap door which shall be dust and water-proof.

A reliable pump shall be fitted to each covered well, the trap door shall be kept locked and opened only for cleaning or inspection which shall be done at least once a month.

5. **Washing and Bathing places:** Adequate washing and bathing places shall be provided separately for men and women. Such places shall be kept in clean and drained condition.

6. **Scale of Accommodation in Latrines and Urinals:** These shall be provided within the precincts of every workplace latrines and urinals in an accessible place, and the accommodation, separately for each of these, shall not be less than at the following scales:

	No.of Seats
a) Where number of persons does not exceed 50	2
b) Where number of persons exceed 50 but does not exceed 100	3
c) For additional persons	3 Per 100 or part thereof.

In particular cases, the Engineer-in-charge shall have the power to increase the requirement, where necessary.

7. **Latrines and Urinals:** Except in workplaces provided with water flushed latrines connected with a waterborne sewage system, all latrines shall be provided with receptacles on dry-earth system which shall be cleaned at least four times daily and at least twice during working hours and kept in a strictly sanitary condition. Receptacles shall be tarred inside and outside at least once a year.

If women are employed, separate latrine and urinals, screened from those for men and marked in the vernacular in conspicuous letters "For Women only" shall be provided on the scale laid down in rule 6. Those for men shall be similarly marked "For Men only" A poster showing the figure of a man and of a woman shall also be exhibited at the entrance to latrines for each sex. There shall be adequate supply of water close to latrines and urinals.

8. **Construction of Latrines:** Inside walls shall be constructed of masonry or other non-absorbent material and shall be cement-washed inside and outside at least once a year. The dates of cement washing shall be noted in a register maintained for the purpose and kept available for inspection. Latrines shall have at least thatched roof.

9. **Disposal of Excreta:** Unless otherwise arranged for by the local sanitary authority, arrangement for proper disposal of excreta by incineration at the workplace shall be made by means of a suitable incinerator approved by the local medical health and municipal or cantonment authorities. Alternatively local excreta may be disposed off by putting a layer of night soil at the Bottom of pucca tank prepared for the purpose and covering it with a 15 cm. layer of waste or refuse and then covering it with a layer of earth for a fortnight (when it will turn into manure).

The contractor shall, at his own expenses, carry out all instruction issued to him by the Engineer-in-charge to effect proper disposal of soil and other conservancy work in respect of Contractor's work-people or employees on the Site. The Contractor shall be responsible for payment of any charges which may be levied by municipal or cantonment authority for execution of such work on his behalf.

10. **Provision of shelters during rest:** At every workplace there shall be provided, free of cost, four suitable sheds, two for meals and two others for rest, separately for use of men and women labour. Height of each shelter shall not be less than 3 meters from floor level to lowest part of roof. Sheds shall be kept clean and space provided shall be on the basis of at least 0.5 sq.m. per head.

11. **Crèches:** At a place at which 20 or more women workers are ordinarily employed, there shall be provided at least one hut for use of children under the age of 6 years of such women. Huts shall not be constructed to a standard lower than that of thatched roof, mud floor and walls with wooden planks spread over mud floor and covered with matting.

Huts shall be provided with suitable and sufficient openings, for light and ventilation. There shall be adequate provision of sweepers to keep the places clean. There shall be two 'dais' in attendance. Sanitary utensils shall be provided to the satisfaction of local medical, health and municipal or cantonment authorities. Use of huts shall be restricted to children, their attendants and mothers of children.

When the number of women workers is more than 25 but less than 50, the Contractor shall provide at least one hut and one Dais to look after children of women workers.

Size of crèche (s) shall vary according to the number of women workers employed. Creche(s) shall be properly maintained and necessary equipment like toys, etc. provided.

12.Canteen: A cooked food canteen on a moderate scale shall be provided for the benefit of workers wherever it is considered necessary.

13.Planning, setting and erection of the above mentioned structures shall be approved by the Engineer-in-charge, and the whole of such temporary accommodation shall at all times during the progress of the works be kept tidy and in a clean and sanitary condition to the satisfaction of the Engineer-in-Charge and at the Contractor's expense. The Contractor shall conform generally to sanitary requirements of local medical, health and municipal or cantonment authorities and at all times adopt such precautions as may be necessary to prevent soil pollution of the site.

On completion of the works the whole of such temporary structures shall be cleared away, all rubbish burnt, excreta or other disposal pits or trenches filled in and effectively sealed off and the whole of site left clean and tidy to the entire satisfaction of the Engineer-in-Charge, and at the Contractor's expenses.

14.Anti-malarial precautions: The Contractor shall, at his own expense, conform to all anti-malarial instructions given to him by the Engineer-in-charge, including filling up of any borrow pits which may have been dug by him.

15.Enforcement: The Inspecting Officer mentioned in the Contractors Labour Regulations or any other officer nominated in his behalf by the Engineer-in-Charge shall report to the Engineer-in-Charge all cases of failure on the part of the Contractor and or his sub-contractors to comply with the provisions of these Rules either wholly or in part and the Engineer-in-Charge shall impose such fines and other penalties as are prescribed in the conditions.

49 TERMS AND CONDITIONS REGARDING COMPLIANCE WITH VARIOUS LABOUR LAWS BY THE CONTRACTORS FOR BHEL

1. The Contractor shall not employ in connection with the work any person who has not completed 18 years of age.
2. The Contractor shall in respect of labour employed by him either directly or through subcontractors, comply with or cause to be complied with the following statutory provisions and rules and in regard to all matters provided therein.
 - a) The Contract Labour (Regulation & Abolition) Act 1970 and the related Tamil Nadu Rules.
 - b) The Minimum Wages Act 1948 and the related Tamil Nadu Rules.
 - c) The Payment of Wages Act 1936 and the related Tamil Nadu Rules.
 - d) The Factories Act 1948 and the related Tamil Nadu Rules.
 - e) The Employee's Provident Fund & Miscellaneous Provisions Act 1952.
 - f) The Employees State Insurance Act 1948.
 - g) The Workmen Compensation Act 1923.
 - h) The Industrial Disputes Act 1947.
 - i) **The Payment of Bonus Act 1965.**

and any other law or modifications to the above or to the Rules made thereunder from time to time.

REGISTRATION AND LICENSING

3. Every Contractor shall register his name with the Welfare Section of BHEL before taking up the work awarded to him by giving the following information and getting a Code Number:
 - a) The Name of the Contractor
 - b) Nature of Contract Work
 - c) Period of work
 - d) Number of maximum labour employed by him on any one day
 - e) License No. & Date (Applicable in case of contractor employing 20 or more workers)
 - f) Whether enrolled for PF, ESI, etc., and enrolment No.

This information is called for, for the purpose of informing the Inspectorate of Factories whenever they call for information regarding contracts.

4. The Contractor employing 20 or more workmen is required to obtain license from the authorities (The Deputy Chief Inspector of Factories / Assistant Commissioner of Labour as the case may be). The license shall be amended and / or renewed wherever, there is an increase in the workmen employed by him or in the event of contract being extended or renewed. The Contractor shall inform the licence number to the BHEL Management before taking up the work.
5. The Contractor (Licensed or unlicensed) shall promptly furnish every information and document required by BHEL authorities for the purpose of fulfilling their obligations as Principal Employer and / or Occupier of the Factory and shall render all necessary assistance for the same.

WAGES

6. **The tenderer has to ensure payment of Minimum Wages as per Tamil Nadu State Minimum Wages as applicable under law from time to time.**

Also the labourers shall be paid a minimum bonus which shall be 8.33% as per the payment of Bonus Act 1965 for the total wages paid (i.e.) Payment of minimum wages .

The Contractor shall have to remit EPF & ESI contributions at the rates applicable under law to the authorities concerned for the total wages paid (i.e.) Payment of minimum wages.

At present the Tamil Nadu State Government Minimum wages as notified by Tamilnadu Government for “Engineering & Fabrication Industry” shall be followed. Normally the revision will be with effect from 1st April of every year. Tenderers are requested to quote their offer after taking into account of the above factor also.

7. The Contractor shall fix wage periods in respect of which wages shall be payable. No wage period shall exceed one month.
8. The Contractor shall ensure payment of wages to the contract labour employed by him within three days from the end of wage period in case the wage period is one week or a fortnight and in all other cases before 10th day of the following month.
9. All Payment of wages shall be made on working days at the work site and during the working time and on date notified in advance. In case the work is completed before the expiry of the wage period final payment shall be made within 48 hours of the last working day.
10. Where the employment of any worker is terminated by or on behalf of the Contractor, the wages earned by him shall be paid before the expiry of the second working day from the day on which his employment is terminated.
11. Wages due to every worker shall be paid to him direct or to the person authorized by him in this behalf. All wages shall be paid in current coin or currency in both.
12. The Contractor shall ensure the disbursement of wages in the presence of such authorized representative of BHEL Management.
13. The above payment shall be verified by the authorized officer / representative of BHEL with the following certificate of the payment sheet “Certified that the amount shown in Column No..... has been paid to the workmen concerned in my presence onat.....”
14. A certificate of payment shall be furnished in duplicate by the Contractor to the Engineer in charge each month in Form ‘A’.
15. A notice showing the wage period and the place and time of disbursement of wages shall be displayed at the place of work and a copy to be sent to the Welfare Department by the Contractor under acknowledgement.
16. Notices showing the rate of wages, weekly rest days, hours of work, wage period, date of payment of wages, names and addresses of the Inspector having jurisdiction, the date of unpaid wages shall be displayed in Tamil and English in conspicuous places at the establishment and at work site by the Contractor. The Contractor shall inform the BHEL Management every month the details of contract labour engaged for contract in this following form :

CONTRACTOR

Page **83** of **177**

ACCEPTING OFFICER

- a) Serial Number
- b) Location
- c) Period of work
- d) No. of contract labour engaged during the month
- e) No. of days worked
- f) No. of men worked
- g) Wages paid to workers

The above statement shall be furnished to BHEL Management at the end of every month.

REGISTERS AND RECORDS AND COLLECTION OF STATISTICS

- 17. The following documents / formats under Contract Labour (Regulation & Abolition) Act 1970 and Tamil Nadu Rules thereunder shall be maintained by each contractor.
 - a) Register of persons employed by the Contractor
 - b) Employment Card
 - c) Service Certificate
 - d) Muster Roll, Wage Register, Deduction Register, Wage slip, Overtime Register, Register of Fines, Register of Advances etc.,
- 18. The Contractor shall display the abstract of the Contract Labour (Regulation & Abolition) Act and the Rules thereunder both in English and Tamil.
- 19. Half yearly Return shall be sent by the Contractor in duplicate to the Licensing Officer.
- 20. The Contractor shall submit the returns required under the Contract Labour (Regulation & Abolition) Act 1970 periodically to BHEL Management.
- 21. The Contractor shall without fail give up to date information in writing of the attendance of the workers employed by him.
- 22. The Contractor shall ensure that his workers keep and produce their Employment Card when coming to duty and take them back when leaving duty.
- 23. All the above registers and records shall be preserved in original for a period of three years. All the registers, records and notice maintained under the Act and rules shall be produced on demand by Inspector or any authority under the Act.

WORKING HOURS AND WORKING CONDITIONS

- 24. No worker shall be required or allowed to work on Sunday unless he has or will have a holiday on anyone of the three days before or after the said day.
- 25. The Contractor shall inform BHEL Management in the prescribed form details of the contract workers scheduled to work on Sunday, the day of rest and also indicate the substituted holiday in lieu thereof. This shall be intimated two days in advance before his workmen are booked for work on Sunday.
- 26. The contract labour working for more than nine hours in any day or for more than 48 hours in any week shall be paid wages at the rate of twice the ordinary rate of wages in accordance with the provisions of Sections 59 of the Factories Act 1948.

27. The Contractor shall provide all safety devices and personal protective equipment to his workmen at his own cost and shall ensure that his workmen wear / use such devices or equipment provided to them while doing the work and there should not be any relaxation on this.
28. The Contractor shall give four paid National Holidays to his workers, viz., 26th January, 1st May, 15th August and 2nd October.
29. The Contractor shall ensure that his workmen vacate the premises after the shift is over.
30. The Contractor shall give leave with wages to his workmen who have worked for a period of 240 days or more in the Factory premises during a calendar year. This leave shall be allowed during the subsequent calendar year at the rate of one day for every 20 days of work performed by the worker during the previous calendar year. The worker whose services commences on a day other than the first of January shall be entitled to leave with wages at the above rate (One day for every 20 days of work) only if he had worked for a minimum of 2 /3 of the total number of days in the remainder of the calendar year. This leave will be admissible only during the subsequent calendar year.
31. No woman worker shall be required or allowed to work in the Factory except between the hours of 6.00 A.M. and 7.00 P.M.
32. The Contractor shall comply with the provisions relating to Welfare and Health facilities as provided in the Contract Labour (Regulation and Abolition) Act 1970 read with the Tamil Nadu Contract Labour Rules 1975.

NOTICE OF ACCIDENTS

33. Notwithstanding anything contrary to this, in the event of accident the contractor shall be required to fill injury report and submit the Engineer in charge immediately and ensure the compliances of ESI / Workmen's compensation Act, Factories Act and Rules made thereunder. He shall also maintain a register of accident as per the Act.
34. The Contractor shall get the contract labour engaged by him insured under Workmen's Compensation policy from General Insurance Corporation of India before actually starting the work of contract. The insurance coverage should be for the entire period of Contract. The Contract shall comply with the provisions of the Workmen's Compensation Act 1923. (This should be read in conjunction with the provisions of ESI Act)

COVERAGE UNDER THE ESI ACT / PF AND MISCELLANEOUS PROVISIONS ACT

35. The contractor shall ensure that all his workmen are covered under the Employee's State Insurance Act and produce to BHEL such Registration Number / Enrolment Number before executing the contract work.
36. The Contractor shall regularly pay the amount of contribution. i.e., employer's contributions as well as employees' contribution pursuant of the above scheme as fixed from time to time. The Contribution payable presently is 1.75% wages to be recovered from his workmen and 4.75% of wages to be contributed by the Contractor. Contributions recovered from employee and contribution made by the contractor may be rounded to the next higher multiples of five paise.
37. The Contractor shall take note of any amendment that may be brought forth in the above contribution rate and act accordingly.
38. The contractor shall ensure that his workmen are covered under the EPF & Miscellaneous Provisions Act 1952 and accordingly produce to the BHEL Management the registration / enrolment number before

CONTRACTOR

Page **85** of **177**

ACCEPTING OFFICER

awarding of contract work. As per the existing provisions every worker shall be entitled and required to become a member of the fund. The employee's contribution payable at present is 12% of wages which will be recovered by the contractor from the wages of his workmen and the contractor should pay equal contribution. The contractor is also liable to pay any administrative charges in this behalf that may be decided from time to time. It will be the responsibility of the contractor to ensure such contribution payable in respect of workmen employed through sub-contractors also.

39. The Contractor shall take note of any amendment in the rate of contribution payable under the scheme from time to time.
40. The Contractor shall within seven days of the close of every month submit to BHEL a statement showing the amount of contribution payable / paid for employees engaged by him or through him and shall also furnish to BHEL such information as Principal Employer is required to furnish under the provisions of the ESI Act and PF as well as the schemes made thereunder to the authorities concerned.
41. Whenever any sum of money is found to be recoverable from or payable by the contractor under the above Act, the sum shall be deducted from any sum that may be due or which at any time thereafter may become due to the Contractor under this contract or under any other contract or from his security deposit. In case the recoveries are not sufficient to satisfy the claim, the contractor shall pay the balance thereof on demand. In case any recoveries are made under this clause from security deposit, the contractor shall immediately thereafter pay such further sums as may be required to replenish the shortage caused by such recoveries in amount of security deposit.
42. The Contractor shall abide by all the labour and other laws applicable to contract labour / worker under this contract and shall at all times keep BHEL indemnified against all loses, claims, prosecutions under any law.
43. In case of non-compliance of any of the provisions of the Acts and in case BHEL having complied with the same, BHEL will be entitled to recover the same from the contractor / sub-contractor.
44. Non-exercise of any of the powers or rights available to BHEL hereunder or under any law, shall not in any way operate as waiver thereof.

Note: The Specimen forms for the following are available in BHEL.

- | | | | |
|----|-----------|---|--|
| 1) | Form 'A' | - | Payment Certificate |
| 2) | Form IV | - | Application for License |
| 3) | Form XIII | - | Register of Workmen employed by contractor |
| 4) | Form XIV | - | Employment Card |
| 5) | Form XV | - | Service Certificate |
| 6) | Form XVI | - | Muster Roll |
| 7) | Form XVII | - | Register of wages |
| 8) | Form XIX | - | Wage slip |

45) Documents Required to obtain new ID Cards for contract workmen:

The contractor shall follow norms of BHEL security system for movement of men & material including bio-metric system & materials within the complex. **Contractor has to submit the following documents to obtain new ID Cards for contract workmen.**

S.No	Document	Description
1	Bio-data form for Contract Workman	Bio-data form for Contract Workman should be submitted duly signed by contractor and contract labour in prescribed format attached in the following page.
2	E-pehchan Card	The existing wage limit for coverage under the ESI Act effective from 01.01.2017 is Rs.21,000/- per month (Rs.25,000/- per month in the case of Persons with Disability). Contract workmen covered under the Act needs to produce the E-pehchan Card. the contractors establishment must be indicated as current employer in e-pehchan.If the workman draws the wage / salary above the ceiling limit, undertaking letter should be produced by the contractor and workman. copy of payslip / appointment order required
3	PF / Universal Account Number	Universal Account Number of the individual to remit the EPF amount in EPF portal
4	Passport size Photo – 1 No	The passport size photograph of the individual should be in colour & legible pixels in the size of 3.5cm X 4.5 cm
5	Copy of Bank Pass Book	Copy of Bank Pass Book of the contract workman which will be used for making payment of wages
6	Copy of Aadhar Card	Copy of Aadhar of the contract workman should be submitted with self attestation
7	Police Verification Report	Police Verification Report of the individual needs to be submit who is newly joining in tiruchirappalli complex as a contract workman. The PVR must be recent one (i.e. not older than 3 months at the time of application submitted).

After submission of above documents, Fingerprint needs to be captured.

BIO DATA OF CONTRACT WORKMEN (Please fill the form in block letters only)

CTR NO										
CONTRACTOR NAME										
VENDOR CODE										
GATE ENTRY										
WORKER ID NO										
WORKER NAME										
FATHER / HUSBAND NAME										
CATOGORY	SKILLED		SEMI SKILLED			UN SKILLED			SUP	
DATE OF BIRTH (DDMMYYYY)	D	D	M	M	Y	Y	Y	Y		
QUALIFICATION	BELOW SSLC			SSLC			ITI			
	DIPLOMA			DEGREE			PG			
COMMUNITY	OC		OBC		SC		ST			
GENDER	M	F								
NATIONALITY										
RELEGIION						MOBILE NO				
BLOOD GROUP										
MARITAL STATUS	MARRIED		UN MARRIED			WIDOW(ER)			DIVORCED	
ESIC NO										
PF NO										
UAN NO										
AADHAR CARD NO										
BANK ACC NO										
BANK NAME										
BANK BRANCH										
IFSC CODE										

CONTRACTOR

Page **88** of **177**

ACCEPTING OFFICER

IDENTIFICATION MARK - I										
IDENTIFICATION MARK - II										
NOMINEE DETAILS	NAME			RELATIONSHIP			DOB			
WORK ORDER NO										
CONTRACT PERIOD	TO									
CONTRACT VALUE										
CONTRACT TYPE	WORKS CONTRACT					MANPOWER CONTRACT				
TOTAL NO OF WORKERS AS PER WO	SUP		SKILLED		SEMI SKILLED		UN SKILLED		TOTAL	
TOTAL NO OF CARDS RECEIVED	SUP		SKILLED		SEMI SKILLED		UN SKILLED		TOTAL	
LABOUR LICENCE OBTAINED	YES		NO		NOT APPLICABLE					
EXPIRY DATE OF LABOUR LICENCE	D	D	M	M	Y	Y	Y	Y		
IF NOT OBTAINED, WHEHER UNDERTAKING GIVEN BY CONTRACTOR FOR OBTAINING LABOUR LICENCE	YES(Undertaking letter in original is enclosed)				NO		NOT APPLICABLE			
PRESENT ADDRESS					PERMENANT ADDRESS					
I Declare that the information given above is true to the best of my knowledge										
CONTRACTOR'S SIGN WITH SEAL					SIGNATURE OF CONT. WORKMAN					
REMARKS					APPROVED			NOT APPROVED		
SIGNATURE / CONTRACT CELL										

CONTRACTOR

ACCEPTING OFFICER

50. B.H.E.L SAFETY CODE

1. Suitable scaffolds shall be provided for workmen for all work that cannot safely be done from the ground, or from solid construction except such short period of work as can be done safely from ladders. When a ladder is used an extra mazdoor shall be engaged for holding the ladder and if the ladder is used for carrying materials as well, suitable footholds and hand-holds shall be provided on the ladder and the ladder shall be given an inclination not steeper than $\frac{1}{4}$ to 1 ($\frac{1}{4}$ horizontal and 1 vertical).
2. Scaffolding or staging more than 3.25 meters above the ground or floor, swung or suspended from an overhead support or erected with stationary support, shall have a guard rail properly attached, bolted, braced and otherwise secured atleast 1 meter high above the floor or platform of such scaffolding or staging and extending along the entire length of the outside and ends thereof with only such openings as may be necessary for the delivery of materials. Such scaffolding or staging shall be so fastened as to prevent it from swaying from the building or structure.
3. Working platform, gangways, and stairways shall be so constructed that they do not sag unduly or unequally, and if height of a platform or gangway or stairway is more than 3.25 meters above ground level or floor level, it shall be closely bordered have adequate width and be suitably fenced, as described in 2 above
4. Every opening in floor of a building or in a working platform shall be provided with suitable means to prevent fall of persons or materials by providing suitable fencing or railing with a minimum height of 1 meter.
5. Safe means of access shall be provided to all working platforms and other working places. Every ladder shall be securely fixed. No portable single ladder shall be over 9 meters in length. Width between side rails in a rung, ladder shall in no case be less than 30 cm, for ladders upto and including 3 metres in length. For longer ladders this width shall be increased by atleast 6 mm for each additional 30 cm. of length. Uniform step spacing shall not exceed 30 cm.

Adequate precautions shall be taken to prevent danger from electrical equipment. No materials on any of the sites shall be so stacked or placed as to cause danger or inconvenience to any person or the public. The Contractor shall provide all necessary fencing and lights to protect public from accidents and shall be bound to bear expenses of defence of every suit action or other proceedings at law that may be brought by any person for injury sustained owing to neglect of the above precautions, and pay any damages and costs which may be awarded in any such suit, action or proceeding to any such person or which may with the consent of the Contractor be paid to compromise any claim by any such person.

6. Excavation and Trenching:

All trenches, 1.5 metres or more in depth, shall at all times be supplied with atleast one ladder for each 30 m length or fraction thereof. Ladder shall be extended from bottom of trench to atleast 1 metre above surface of the ground. Sides of a trench 1.5 metres or more in depth shall be stepped back to give suitable slope or securely held by timber bracing, so as to avoid the danger of sides collapsing. Excavated materials shall not be placed within 1.5 metres of the edge of trench or half the depth of trench, whichever is more. Cutting shall be from top to bottom. Under no circumstances shall undermining or undercutting be done.

7. **Demolition:** Before any demolition work is commenced and also during the process of the work:

- a) All roads and open areas adjacent to the work site shall either be closed or suitably protected:
- b) No electric cable or apparatus which is liable to be a source of danger over a cable or apparatus used by the operator shall remain electrically charged.
- c) All practical steps shall be taken to prevent danger to persons employed, from risk of fire or explosion, or flooding. No floor, roof, or other part of a building shall be so overloaded with debris or materials as to render it unsafe.

8. All necessary personal safety equipment as considered adequate by the Engineer-in-Charge shall be available for use of persons employed on the site and maintained in a condition suitable for immediate use and the Contractor shall take adequate steps to ensure proper use of equipment by those concerned.

- a. Workers employed on mixing asphaltic materials cement and lime mortars/ concrete shall be provided with protective footwear and protective gloves.
- b. Those engaged in handling any material which is injurious to the eye shall be provided with protective goggles.
- c. Those engaged in welding works shall be provided with welder's protective eye-shields.
- d. Stone breaker shall be provided with protective goggles and protective clothing and seated at sufficiently safe intervals.
- e. When workers are employed in sewers and manholes which are in use, the Contractor shall ensure that manhole covers are opened and manholes are ventilated atleast for an hour before workers are allowed to get into them. Manholes so opened shall be cordoned off with suitable railing and provided with warning signals or boards to prevent accident to public.

The Contractor shall not employ men below the age of 18 and women on the work of painting with products containing lead in any form. Whenever men above the age of 18 are employed on the work of lead painting, the following precautions shall be taken:

- i. No paint containing lead or lead products shall be used except in the form of paste or ready-made paint.
- ii. Suitable face masks shall be supplied for use by workers when paint is applied in the form of spray or a surface having lead paint is dry rubbed and scraped.
- iii. Overalls shall be supplied by the Contractor to workmen and adequate facilities shall be provided to enable working-painters to wash during on cessation of work.

9. When work is done near any place where there is risk of drowning, all necessary equipment shall be provided and kept ready for use and all necessary steps taken for prompt rescue of any person in danger and adequate provision made for prompt first aid treatment of all injuries likely to be sustained during the course of the work.

10. Use of hoisting machine and tackles including their attachments, anchorage and supports shall conform to the following:

- a.
 - i. These shall be of good mechanical construction, sound material and adequate strength and free from defects and shall be kept in good working order.
 - ii. Every rope used in hoisting or lowering materials or as a means of suspension shall be of durable quality and adequate strength, and free from defects.
- b. Every crane driver or hoisting appliance operator shall be properly qualified and no person under the age of 21 years shall be in charge of any hoisting machine including any scaffolding winch or give signals to operator.
- c. In case of every hoisting machine and of every chain, ring, hook, shackle, swivel and pulley block used in hoisting or lowering or as means of suspension, safe working load shall be ascertained by adequate means. Every hoisting machine and all gear referred to above shall have the safe working load plainly marked there on, In case of a hoisting machine having a variable safe working load, each safe working load and the conditions under which it is applicable shall be clearly indicated. No part of any machine or any gear referred to above in this paragraph shall be loaded beyond the safe working load except for the purpose of testing.
- d. In case of departmental machine, safe working load shall be notified by the Engineer-in-Charge. As regards contractor's machine the Contractor shall notify safe working load of each machine to the Engineer-in-Charge whenever he brings it to site of work and get it verified by the Engineer-in-Charge.
 - 11. Motors, gearing, transmission, electric wiring and other dangerous parts of hoisting appliances shall be provided with efficient safeguards; hoisting appliances shall be provided with such means as will reduce to the minimum risk of accidental descent of load. Adequate precautions shall be taken to reduce to the minimum risk of any part of a suspended load becoming accidentally displaced. When workers are employed on electrical installations which are already energized, insulating mats, working apparel such as gloves, sleeves and boots, as may be necessary shall be provided. Workers shall not wear any rings, watches carry keys or other materials which are good conductors of electricity.
 - 12. All scaffolds, ladders and other safety devices mentioned or described herein shall be maintained in a safe condition and no scaffold, ladder or equipment shall be altered or removed while it is in use. Adequate washing facilities shall be provided at or near the places of work.
 - 13. These safety provision shall be brought to the notice of all concerned by display on a notice board at a prominent place at the work spot. Persons responsible for ensuring compliance with the Safety Code shall be named thereon by the Contractor.
 - 14. To ensure effective enforcement of the rules and regulations relating to safety precautions, arrangements made by the Contractor shall be open to inspection by the Engineer-in-Charge or his representatives and the Inspecting Officers as defined in the Contractor's Labour Regulations.
 - 15. Notwithstanding the above conditions 1 to 14, the Contractor is not exempted from the operation of any other Act or Rule in force.

16. NON COMPLIANCE OF SAFETY RULES

NONCONFORMITY OF SAFETY RULES AND SAFETY APPLIANCES WILL BE VIEWED SERIOUSLY AND BHEL HAS RIGHT TO IMPOSE FINES ON THE SUBCONTRACTOR AS UNDER FOR EVERY INSTANCE OF VIOLATION NOTICED

SN	Violation of Safety Norms	Fine (in Rs)
01	Not Wearing Safety Helmet	200/- *
02.	Not wearing Safety Belt or not anchoring life line	500/-*
03	Not wearing safety shoe	200/-*
04	Not keeping gas cylinders vertically	200/-
05	Not using flash back arrestors	100/-
06	Not wearing gloves	50/- *
07.	Grinding Without Goggles	50/- *
08.	Not using 24 V Supply For Internal Work	500/-
09.	Electrical Plugs Not used for hand Machine	100/-
10.	Not Slings properly	200/-
11.	Using Damaged Sling	200/-
12.	Lifting Cylinders Without Cage	500/-
13.	Not Using Proper Welding Cable With Lot of Joints And Not Insulated Property.	200/-
14.	Not Removing Small Scrap From Platforms	500/-
15.	Gas Cutting Without Taking Proper Precaution or Not Using Sheet Below Gas Cutting	500/-
16.	Not Maintaining Electric Winches Which are Operated Dangerously	500/-
17.	Improper Earthing Of Electrical T&P	500/-
18	No or improper barricading	500/-
19.	Activity carried out without Safety work permit (Height work, Lifting activity, Hot work-each person/case)	1000/-

Legend:-

*: per head. For repeated violation by the same person, the penalty would be double of the previous penalty. Date of "Repeated violation" will be counted from subsequent days.

#: For repeated fatal incident in the same Unit incremental penalty to be imposed. The subcontractor will pay 2 times the penalty compared to previously paid in case there are repeated cases of fatal incidents under the same subcontractor for the same package in the same unit.

Any other non-conformity noticed not listed above will also be fined as deemed fit by BHEL. The decision of BHEL engineer is final on the above. The amount will be deducted from running bills of the subcontractor. The amount collected above will be utilized for giving award to the employees who could avoid incident by following safety rules. Also the amount will be spent for purchasing the safety appliances and supporting the safety activity at site.

17 . Compensation Clause:

BHEL shall recover the amount of compensation paid to victim(s) by BHEL towards loss of life / permanent disability due to an accident which is attributable to the negligence of contractor, agency or firm or any of its employees as detailed below.

- a) Victim: Any person who suffers permanent disablement or dies in an accident as defined below.
- b) Accident: Any death or permanent disability resulting solely and directly from any unintended and unforeseen injurious occurrence caused during the manufacturing/operation and works incidental thereto at BHEL factories/offices and precincts thereof, project execution, erection and commissioning, services, repairs and maintenance, trouble shooting, serving, overhaul, renovation and retrofitting, trial operation, performance guarantee testing undertaken by the company or during any works/during working at BHEL Units/Officers/townships and premises/Project sites
- c) Compensation in respect of each of the victims:
 - (i) In the event of death or permanent disability resulting from Loss of both limbs: Rs 10,00,000/- (Rs Ten lakh)
 - (ii) In the event of others permanent disability: Rs.7,00,000/- (Rs. Seven Lakh)
- d) Permanent Disablement: A disablement that is classified as a permanent total disablement under the proviso to section 2 (I) of the Employee's Compensation Act,1923"

FORM OF REGISTER OF WORKMEN

(Regulation-7)

i. Name and address of the Contractor-----

i. Number and date of the **WORK ORDER & CONTRACT AGREEMENT** -----

iii. Name and address of the department awarding the contract-----

iv. Nature of the Contract and location of the work-----

v. Duration of the Contract-----

Sl. No	Name and surname of the workers	Age & Sex Name	Father's / Husband's Name	Nature of employment Designation.	Permanent / Home address of Employee (Village, Distt. Thana).	Present address of employment	Date of commencement leaving of employment	Date of termination or of the employee.	Signature or thumb impression	Remarks
1	2	3	4	5	6	7	8	9	10	11

CONTRACTOR

Page 95 of 177

ACCEPTING OFFICER

**FORM OF EMPLOYMENT CARD
(Regulation-8)**

i Name and Sex of the Worker-----
 ii Father's / Husband's Name -----
 iii Address -----
 iv Age or Date of birth-----
 v Identification mark -----
 Particulars of next of kin (wife/husband and children, if any, or of dependent next of kin in case the worker has no wife/ husband or child):-
 Name-----
 Full address of Dependents
 (Specify Village, Dist., and State)-----

Sl. No	Name & Address of employer (specify Whether a contractor or a sub contractor). work done	Particulars of worksite and description of employed from..... to.....)	Total period for which the worker is employed	Actual number of days worked	Leave number of days should be specified).	Nature of worker.	Wage Work done by the	Total rate With	REMARKS by the Worker during the period shown Under Col.5.	Signature Wage earned	of the Employee
1	2	3	4	5	6	7	8	9	10	11	

N.B:- For a worker employed at one time on piece-work basis and at another on daily wages, relevant entries in respect of each type of employment should be made separately.

CONTRACTOR

ACCEPTING OFFICER

**FORM OF WAGE SLIP
(Regulation-9)**

i. Name of the Contractor -----

ii. Place -----

- 1. Name of the worker with father's / husband's name.
- 2. Nature of employment.
- 3. Wage period.
- 4. Rate of Wages payable
- 5. Total attendance / Unit of work done.
- 6. Dates on which overtime worked
- 7. Overtime Wages.
- 8. Gross Wages payable.
- 9. Total deductions (indicating nature of deductions)
- 10. Net wages payable.

Contractor's Signature /
Thumb impression.

Employees' Signature/
Thumb impression.

FORM OF REGISTER OF FINES (Regulations No.10 vii)

Sl. No.	Name	Father's / Husband's name	Sex	Department	Nature and date of the offence for which fine imposed	Whether workmen showed cause against fine or not, if so, enter date	Rate of wages	Date and amount of fine imposed	Date on which fine realised	Remarks
1	2	3	4	5	6	7	8	9	10	11

CONTRACTOR

Page 98 of 177

ACCEPTING OFFICER

FORM OF REGISTER OF WAGES-CUM-MUSTER ROLL

(Regulation – 9)

- i. Name and address of the Contractor-----
- ii. No. & Date of the Contract Agreement /Work Order-----
- a. Name and address of the department awarding the Contract-----
- b. Nature of the Contract and location of the work-----
- c. Duration of the Contract-----
- d. Wage period-----

		Fair Wage Wages payable paid				Overtime Worked		Deduction from wages															
Serial Number	Name and Surname of the work	Father's/Husband's name	Sex	Designation and Nature of work	Daily attendance (No. of units worked 1,2,3,4,5,6,7,.,31)	Total attendance Units	Basic	D.A. & other allowance	Basic	D.A. & other allowance	Date	No. of hours.	Overtime wages earned.	Total wages paid	*Fine	Deduction for damage or loss	House rent	Recovery of advances	Other deductions	Net wages payable	Date of payment	Signature of thumb impression of the worker	Remarks
01	02	03	04	05	06	07	08	09	10	11	12	13	14	15	16	17	18	19	20	21	22	23	24
Reasons to be recorded in Column 24.																							

CONTRACTOR

ACCEPTING OFFICER

**FORM OF REGISTER OF DEDUCTIONS FOR DAMAGES OR LOSS CAUSED TO THE B.H.E.L.
BY THE NEGLECT OR DEFAULT OF THE EMPLOYED PERSONS
Regulation No 10 (vii)**

Sl. No	Name	Father's / Husband's Name	Sex	Departm ent	Damage or loss caused with date	Whether worked showed cause against deductio n if so, enter date	Date & amount of deductio n imposed	Number of Instal- ment, if any	Date on which total amount realised	Remarks
1	2	3	4	5	6	7	8	9	10	11

CONTRACTOR

Page 100 of 177

ACCEPTING OFFICER

GENERAL SAFETY PRECAUTIONS TO BE FOLLOWED AT WORK SITE DURING EXECUTION

The following safety measures should be strictly adhered to during execution of works at sites.

- i. Providing the working platform with toe board and handrail for continuous working at heights.
- ii. Providing safety belt and life line at all times for men working at heights.
- iii. Providing dust or fume respirator in places where dust and fume concentration exists.
- iv. Providing goggles and welding screens.
- v. Providing acid and alkali proof rubber gloves for handling acid and alkali and chemical which are corrosive.
- vi. Providing rubber gloves for working on electrical works.
- vii. Ensuring proper lashing of the components while being transported in vehicles.
- viii. The vehicles must have side supports or have body to support the materials conveyed.
- ix. The materials should not be allowed to extend or overflow the sides of the vehicles.
- x. Materials should not be allowed to overhang from the rear edge of the body of the vehicle.
- xi. Driver of the vehicle must possess license.
- xii. Vehicle must not be overloaded prescribed limits.
- xiii. Red flags and lights for parts projecting from the body of vehicle must be provided.
- xiv. The speed restrictions within the factory premises must be strictly adhered to.
- xv. The gas cylinders must be always handled on trolleys or kept tied down not in use. They should never be rolled as Roller for conveying.
- xvi. Cylinders should not be used without regulators.
- xvii. All excavations must be barricaded and red lamps must be provided.
- xviii. All electrical connections must be properly earthed.
- xix. No work should be taken up for execution inside shop floor, without obtaining necessary work permit.
- xx. Providing helmet, safety belt, etc., for high level work and sufficient number of Industrial Safety nets at appropriate level to safeguard the persons working at high level particularly in trusses, girders, roofing etc., of industrial and high roof buildings.
- xxi. The contractor should maintain a register regarding the driver license particulars.
- xxii. All personal protective equipment conform with standard specification as per the details given in the code of conduct.

Contractor including their sub-contractors, agents and labour engaged on the work are required to scrupulously adhere to the safety regulations, safety precautions and measures. Any violation thereof will invite punitive action being taken against them. Also contractors with frequent violations of safety regulations will not be entrusted with further work in this organization.

SAFETY PRECAUTIONS TO BE OBSERVED WHILE TRANSPORTING MATERIALS

I. VEHICLE

1. Vehicles carrying material should have proper registration documents and must be produced on demand by our Security Staff.
2. The light on right side, i.e., over the drivers cabin shall be in working condition.
3. Both the head lights as well as park lamps must be in working conditions.

II. MOVEMENT OF VEHICLE

1. The vehicle should not travel at more than 20 km.ph in our premises.
2. The Driver of the vehicle must possess heavy duty license and produce on demand by the Security Staff.
3. Vehicles carrying inflammable liquids in the tank containers should have grounding chain or the tank should be coated with insulating material also to avoid Static Electricity.
4. In road junctions, speed breakers and railway crossing, the speed should be lowered and vehicle should proceed cautiously.
5. The driving should 'KEEP TO THE LEFT' at all places.
6. The vehicle should not be parked in road which could obstruct the vehicular traffic.
7. No person other than driver should be allowed to sit or stand on the prime mover or trailer.
8. The vehicle should pass only through the approved routes. Short cuts should be forbidden.
9. There must be a safe distance behind another moving truck.
10. The driver should avoid making quick starts, jerky stops or quick turns at excessive speed.

III. SHIPPING

1. Strong side supports should be provided on both sides of the trailer. The side supports should be fixed in such a way that it cannot be removed even temporarily.
2. Adequate packing must be given for easy slinging operation. The packing materials should be good enough to withstand the load.
3. The stacking of loads in the truck should be evenly placed. The load should not be heaped together or dumped over the chassis.
4. The loaded materials should be fastened tightly with 'WIRE ROPE'. Manila rope or coir rope should not at all be used. There must be side packing such as gunny or rubber tyre between the sharp edge of the job and wire rope in order to avoid cut in the wire rope.
5. There must be minimum two fastenings and it should be more in case of lengthier loads.
6. The wire rope should be in sound conditions i.e, there should not be links, knots or bristles etc.
7. The wire rope ends should be clamped with 'U' clamps.
8. The load on the truck should not be beyond its standard capacity. The carrying capacity must be clearly marked on the trailer also.
9. The loose pieces should be bundled before loading on the truck.
10. There must be red flags or red lamps for the lengthy loads which extend beyond chassis.
11. The load should not be over hanging more than 3 ft. from the end of the body.
12. The materials should not be stacked too high to avoid hitting against live electric lines.
13. While transporting the scraps, there must be wire knitting cover to prevent falling of scrap.

IV. GENERAL:

The vehicles should not be moved directly inside the production building in case the materials are to be unloaded there. But the vehicle should be parked outside the building and the driver should ascertain the passage as well as the unloading points with the help of shop officials. This will avoid the congestion of blocking of traffic in the gangway.

BHEL-Trichy : Contractor Safety Guidelines

Following are the points to be ensured for the safety of contract employees.

I. Identity and Entry:

1. The contractors to give identity card to their employees with full details like employee name, company name, age, blood group, contact person with phone no. etc.
2. The contractors not to employ people whose age is below 18 years.
3. HR/Welfare will issue passes to the trained employees only.
4. Welfare has to arrange for necessary infrastructure (biometric entry) for enrolment of new contract workers. Biometric entry system will be made available in North Gate and Unit 2 initially.
5. The data of daily entry of contract workers through biometric will be made available online to the contract awarding departments HR/Welfare.

II. Training:

1. Safety, first aid and fire fighting training to be given to two responsible persons in each contract and they should take care of their groups on day to day working.
2. This shall be done within a period of 2 weeks after awarding of fresh contract.
3. For ongoing contracts the contractors has to identify the persons to be trained within a period of 2 weeks.
4. Driving/operation of Crane/jumbo/Fork lift etc are to be done only by authorized persons.

III. Dress Code:

1. Male employees should enter gates only with Safety shoes, Pants-Shirts, (Dothi, Lungi not permitted).
2. Female employees should enter gates only with Safety shoes. Loose dress must be avoided. (A shirt over saree /chudithar is a must).
3. Normal shoes are acceptable for office area work only.
4. Employees working in canteens can wear sandex.
5. Welfare will finalize and indicate a color coding to be provided in the dresses used by contract employees for uniformity and easy identification of the contract workers.

IV. Procedures:

1. Smoking, audio-playing (mobile phone, iPod, inbuilt music systems etc in the vehicles.) are banned within the factory premises.
2. Moving to unrelated areas must be strictly avoided by the contract employees entering to the other areas only with knowledge of concerned department.
3. Procedure (SOP) given from user departments are to be adopted for all operations and maintenance – e.g. tank cleaning, ET plant maintenance, Sewage maintenance, Oxidation pond maintenance, operation of substation, transformer maintenance etc. User departments agreed to generate procedures incase if not available already (Snake catching, Monkey catching, Honey comb removal etc.).
4. Adequate precautions to be taken while waste removal like paint sludge removal, chromic sludge removal, phenol and tar removal by contract employees.
5. The contractor should clearly inform the hazards involved to the employees MSDS to be displayed.
6. The contract employees involved in tank cleaning, ET plant maintenance, Oxidation pond maintenance should know swimming and strict monitoring should be ensured.
7. Line clearance(LOTO)procedure to be followed during bulb changing, electrical substation maintenance, DSL maintenance, furnace instrumentation etc.
8. Work permits to be obtained for jobs like work at height, excavation, blasting, hot work, pipe line work, roof light maintenance, work at confined space like cellar.
9. Users agreed to initiate the permits for all the works mentioned in the table given below to safety mgt for clearance.

BHEL-Trichy : Contractor Safety Guidelines

Work Permit Instructions

SI No	Works	Instruction
1	Construction, erection & Commission of new and modification of existing civil structure	The contract workers employed shall have sufficient job knowledge shall follow the procedures and dress code
2	Periodical Civil maintenance work at height	Only experienced people shall be allowed to carry out the work at height. Physically fit without any vertigo problem. Wear safety belt and use life line, Net etc.
3	Work at height - including roof light maintenance and furnace work	Only experienced and qualified electrician shall be allowed to carry out the work at height. Physically fit without any vertigo problem. Wear safety belt and use life line, Net etc.
4	Welding work at process plant including pipe lines, PG and acetylene plant	Only experienced people shall be allowed to carry out the work at height. Shall take care of nearby pipeline, remove all flammable materials. Get help from fire service.
5	Crane erection and modification work	Only experienced people shall be allowed to carry out the work. Wear safety belt and use life line. Net etc. Remove all loose material
6	Excavation and Blasting.	Some lapse is noticed obtaining Excavation permit, shall be strictly followed. Only licensed holder shall carry out blasting, accountability shall be properly maintained for the explosives, unauthorised/unapproved explosives shall not allowed. Only authorised equipment shall be used for blasting
7	Fragile roof work	Only experienced people shall be allowed to carry out the work at the fragile roof. Physically fit without any vertigo problem. Wear safety belt and use life line. Net etc. They shall be properly instructed before going to the roof.
8	Confined space work, cellars, furnace ducts	Oxygen level to be checked before work, proper breathing apparatus to be used. Only experienced people shall be allowed to carry out the work at cellars/confined space

10. Specified Speed limit 20 kmph to be followed by all the vehicles entered in factory premises.

11. Procedure given by user departments for spray painting, brush painting and dip painting should be followed. Paint sludge removal, empty tin removals etc. are to be periodically carried out and sent to disposal stores.

BHEL-Trichy : Contractor Safety Guidelines

B. Electrical Contractors:

1. Must ensure proper care before working on electrical lines.
2. Must have obtained line clearance/work permit for all electrical work, panel board cleaning, roof light changing, cable trench works and works in confined areas.
3. After completion of the work the line clearance/ permits must be closed.
4. Must remove all the left out choke, bulbs, tools, fasteners etc. after completion of the work (working on height).
5. Portable machines, lines drilling machines must be with proper plug points.
6. Unused new cables and fittings are to be returned to the concerned. Old cables/ used cables are to be removed and returned properly.

C. Painting Contractors:

1. Must know the characters of paints, thinners, solvents etc before handling.
2. User departments and the contractor must provide Materials Safety Data Sheets (MSDS) for the contract employees involved in painting work.
3. Contractors should provide respirators to the employees doing painting work.
4. User departments should ensure training for contract employees in Fire prevention, fire fighting etc.
5. The training shall be through Fire/Security department.
6. Contract employees must take adequate precaution to prevent fire while working.

D. Civil Contractors:

1. Employees working in Civil constructions should be familiar with the relevant work viz masonry work construction, tiles, partition, floor elevated work etc.
2. Tools, equipment pertaining to their works must be in good condition and with valid certificates. The workers employed must be skill ful enough to complete the work- roof work, work at height, excavation blasting etc.
3. Contractors must check the health of employees specific to occupation periodically and furnish evidence to welfare department/BHEL. This is a must for the works like working at height, Jack hammering, sewage cleaning etc.
4. Vehicles used for construction works like lorries, excavation equipments (JCB), Mixing machines etc., are sound in operating condition.

BHEL-Trichy : Contractor Safety Guidelines

5. User departments should ensure that the applicable procedures are clearly understood by contract employees involved in civil maintenance viz flooring, floor cleaning, building maintenance, water line, pipe lines, storm water, ETP Maintenance etc. The adherence to the procedures must be ensured by contract supervisor.
6. The operators should be licensed, trained and authorized persons. Valid certificates/ documents must be shown on demand.
7. Employees should remove the waste materials from the work spot after completing the works.

E. Transport Contractors:

1. Vehicles carrying materials should have proper registration documents and must be produced on demand to BHEL security staff.
2. The driver of the vehicle must possess valid heavy duty license, vision Test certificates & relevant valid vehicle documents as per the factory Rules and to be produced on demand to the security staff.
3. The cleaner should be knowledgeable enough to give correct direction. Also should not drive inside or take training inside. Every vehicle should have pair of skilled driver and cleaner.
4. No persons other than driver should be allowed to sit or stand on the Prime Movers of the trailer.
5. Should not do Cooking, Bathing, Vehicle cleaning etc. within the premises.
6. The lights on right side (i.e.) over driver's cabin should be in working condition.
7. Both the head lights as well as park lamps must be in working condition.
8. The tire, brake, horn, turning lamps, etc must be in good conditions.
9. The vehicle should not be parked in the road in such a way to cause obstruction to vehicular traffic.
10. There must be a safe distance behind another moving truck.
11. If vehicle got break down, they should attend maintenance work and ensure to avoid oil and grease spillage & traffic issues.
12. Drivers should not do material handling activities.
13. Must not stand under/close to load while lifting the materials
14. Speed limit 20 km/hr to be maintained inside the factory premises.

BHEL-Trichy : Contractor Safety Guidelines

F. Shipping:

1. Strong side supports should be provided on both sides of the trailer. The side supports should be fixed in such a way that it cannot be removed even temporarily.
2. Adequate packing must be given for easy slinging operations. The packing materials should be good enough to withstand the load.
3. The stacking of loads on the truck should be evenly placed. The load should not be heaped together or dumped over the chassis.
4. The load on the truck should not be beyond its standard capacity. The carrying capacity must be clearly marked on the trailers also.
5. The loaded materials should be fastened tightly with wire rope. Coil rope should not at all be used.
6. There must be side packing such as gunny, rubber-tire between the sharp edges of the job and Wire rope in order to avoid cut in the wire rope.
7. There must be minimum two fastening and it should be more in case of lengthier loads.
8. The loose pieces should be bundled before loading on the truck.
9. There must be red flags or red lamps for the lengthy load which extend beyond chassis.
10. The materials should not be stacked too high to avoid hitting against live electric lines.
11. Must not lift beyond the capacity (SWL) of mobile cranes.
12. Must keep valid certificates for the individual (inclusive of vision Test certificates) and lifting equipment.
13. Should not use mobile cranes for transporting and dragging

VII Travels/Taxi Contractors:

1. Must have valid documents like Driving license, RC, Insurance, FC, Vision Test Certificate.
2. Max speed limit 20 KM/Hr must be followed, Timing prescribed for entry and exit to be strictly followed. Not to overtake inside the Premises.
3. Seat belt must be worn by taxi drivers, Park cars only in the permitted areas.
4. Using mobile phones while driving and playing iPod, inbuilt music systems etc in the vehicles. are banned within the factory premises.

BHEL-Trichy : Contractor Safety Guidelines

VIII Welfare:

1. The contractors are directed to generate PF number and ensure PF contribution remittance for all contract workmen engaged by them.
2. Bio-Metric Entry for Contract Workmen : Contractors have been directed to cover all the contract workmen engaged by them through Bio-Metric Entry System

XI Health Check up

Contractors must check the health of employees specific to occupation periodically and furnish evidence to welfare department/BHEL for updating. Specific test is a must apart from General Health checkup for the works like

1. Working at height- Vertigo test
2. Mobile crane operator- Vision test, audiometric test
3. Vehicle drivers- Vision test, audiometric test
4. Shot blasting operations- Lung function test, audiometric test
5. Canteen employees- Dermatitis
6. Jack hammering- Lung function test, audiometric test
7. Sewage cleaning- Lung function test,
8. Electro-plating- Skin and respiratory tract
9. Grinding - Lung function test, audiometric test
10. Spray painting - Skin and respiratory tract

X. Safety Equipment:

Contract employees must wear the PPEs relevant to the nature of work in addition to the safety shoes.

1. Welding - Welding Shield and goggles
2. Gas cutting - Aprons, Gas cutting goggles
3. Painting - PVC gloves, PVC apron, respirators
4. Electrical work - Electrical Resistance gloves, gum boots (during rain)
5. Work near hot furnace - Heat resistant gloves & Apron
6. Glass wool related works - Respirators, Barrier Cream
7. Slag removal, cleaning and grinding work - Goggles / dust respirators.
8. Handling of rough and sharp surfaced objects - Leather gloves
9. Sanitary work - Hand gloves, Gum boots
10. Concrete preparation - Gum boots Electrical
11. Work at height - Rubber gloves, Safety Belt, Fall arrestors, Life line Rope.

BHEL-Trichy : Contractor Safety Guidelines

XI. Violations:

The following will be treated as serious violations and appropriate actions are to be initiated by the users.

1. Employing people whose age is below 18 years.
2. Not wearing safety shoes or normal shoes (Contract employees will not be permitted after the security gates).
3. Not wearing PPEs.
4. Working without proper work permit.
5. Possession of mobile phones other than taxi drivers..
6. Using mobile phones while driving .
7. Unauthorized electrical connections .
8. Driving/operation of Crane/jumbo/Fork lift etc by unauthorized persons.
9. Unauthorized operation/driving of lorries, mobile cranes etc.
10. Smoking, alcohol, audio-playing etc.
11. Moving to unconnected areas.
12. Any willful act that creates unsafe conditions .

CHECK FOR HEALTH PERFORMANCE

Sl. No.	Activity	Hazard	Exposure Consequence	Check for	Periodicity
1	Concrete Dismantling	Emission of Dust & Noise	1	Lung function	Once in a Year
2	Concrete Mixing	Emission of Dust & Noise	1	Lung function	Once in a Year
3	Painting	Emission of Dust & fumes	1	Lung & throat function	Once in a Year
4	Cutting & Welding	Emission of fumes and gas. Exposure to Live wire	3	Eyes & Lung function	Once in a Year
5	Working on AC sheets	Emission of Dust	3	Lung function	Once in a Year
6	Sweeping of Roads	Emission of Dust	2	Lung function	Once in a Year
7	Collection and disposal of Sanitary waste	Foul smell & susceptibility to decease.	3	Lung function and skin irritation	Once in a Year
8	Handling of Oxygen & Acetylene Cylinders	Leakage of gas	4	Throat irritation	Once in a Year
9	Cleaning of Manholes	Exposure to poisonous gas	4	Suffocation	Once in a Year
10	Cleaning of Overhead tank	Emission of Dust	1	Suffocation & skin irritation	Once in a Year

NOTE: Exposure Consequence

- 1.Slightly harmful
2. Harmful
- 3.Very harmful
4. Extremely harmful

SECTION 6
TECHNICAL CONDITIONS OF CONTRACT
STRUCTURAL STEEL WORKS

1. Broadly, the work under this contract comprises of conveying of raw structural steel sections (issued at free of cost by BHEL) from Contractor's Store to site fabrication shop, fabrication of steel work at the site fabrication shop including one priming coat of Zinc Chromate / red oxide primer, transportation of fabricated steel structures to the erection site including loading, unloading, leading, stacking as required and all handling costs, erection of steel work over prepared foundations or on RCC brackets as the case may be and painting of steel work two coats with approved synthetic enamel ready mixed paint or as specified in the Bill of quantities carrying from Contractor's stores and erection of cloaking items etc. complete.
2. The Contractor may also be required to supply some raw structural steel sections also as required for this work in accordance with the latest editions of the Indian Standard Specifications noted below:-
IS 2062 & IS 1977. He will be required to submit the necessary test certificates for the materials so supplied for use on this work.
3. The detailed fabrication drawings as approved for fabrication will be the responsibility of BHEL. The Detailed Shop Drawings will be supplied by BHEL to the contractor progressively to suit the fabrication and erection sequence. The Contractor shall not depart from the drawings approved by BHEL without the written permission of the Engineer-in-charge.
4. Based on the detailed shop Drawings approved by the BHEL the Contractor shall prepare at his cost, the Drawing Office Despatch Lists (abbreviated as D.O.D.L.'s) and get them approved by BHEL. These shall contain the drawing number, the designation of items, number of pieces, based on the section weights as adopted for supply of raw materials without deduction for bolt holes and skew cuts. The DOD Lists shall form the basis for payment.
5. Rate quoted against item(s) of the Bill of Quantities cover the fabrication of all items involved and shall Therefore be an Overall-average-rate. The actual quantities for payment shall be based on the drawing office despatch lists to be prepared by the Contractor and got approved by BHEL as aforesaid.
6. All Civil works like preparation of foundations for columns, including embedding of holding down bolts etc., also have to be carried out and hence included in the present enquiry. All works shall be performed and completed in a thoroughly workmen like manner and the contractor shall follow the best modern practice in the manufacture of high grade structures not withstanding any omission in the specifications.
7.
 - a) Fabrication shall generally be in accordance with IS 800 (latest issue) entitled "Code of practice for use of structural steel in general building constructions". Welding shall be in accordance with IS 816 entitled "Code of practice for use of metal arc welding for general construction in mild steel". The contractor shall provide necessary splicing as approved by the Engineer-in-charge, to suit the available lengths of raw steel, and no extra amount shall be paid on this account. Any specifications not covered by the Relevant Indian Standard Codes of practice shall be in accordance with the relevant BS or in its absence in accordance with the well-established standard Engineering practice to be acceptable to BHEL.
 - b) Under the contract, site fabrication is to be adopted for which a suitable site near and inside the factory premises will be made available by BHEL at free of ground rent. The Contractor shall provide all plant and equipments, tools covered sheds and other facilities required for site fabrication work at his own cost.

- c) The Contractor shall take into consideration the existing foundation structures and make necessary provisions in the fabricated components with the approval of the Engineer-in-charge so that proper alignment, vertically and easy connection / erection of structures is ensured.
8. All fabricated steel work shall be given one coat of Red Oxide / Zinc Chromate primer conforming to Relevant IS code before erection. All fabricated steel work shall be match marked suitably to facilitate their erection in position without any difficulty.
9. Materials supplied by the contractor shall be in standard / random sizes / lengths. Hence the Contractor will be required to supply extra materials to cover conversion, wastage, alteration etc. He shall do so without any claim for extra payment, whatsoever on this account.
10. All breakages after the **Al. Zinc Alloy Coated Steel Sheets** materials brought inside site by the contractor shall be to Contractor's account. As far as possible partially broken **Al. Zinc Alloy Coated Steel Sheets** materials should be cut suitably and used for smaller sizes with the approval of BHEL, without any extra claim.
11. The Contractor should prepare in advance cutting lists for materials so as to obtain efficient and economical use of all types of materials including steel.
12. Normally no night work will be permitted. But in case of emergency and urgent in nature where night work is warranted, the Contractor shall arrange for night works providing all facilities including illumination at his own cost, after obtaining written permission from Engineer-in-charge under intimation to Security and Safety Departments.
13. The Contractor shall closely scrutinize all the drawings for the work issued by this organization and bring to the notice of the Engineer-in-charge any discrepancies / omissions noticed in the drawings before undertaking the actual work.
14. M/s BHEL through their duly authorized representative shall have all reasonable times access to the Contractor's premises or works and shall have the power at all reasonable times to inspect any portion of the work or examine the materials and workmanship of the structures during their manufacture and test. The Contractor shall give notice in writing to the inspecting Engineer of BHEL when the materials to be supplied are ready for inspection and test, no materials shall be used on the fabrication work until the inspecting Engineer has certified in writing that such materials have been inspected and approved by him. The contractor shall provide at his own cost all facilities for the required tests on fabricated structures as required by the Engineer-in-charge. Defective fabrication structures shall be made good / replaced by the Contractor at his own cost to the full satisfaction of BHEL. **This also applies to loss or damage of raw materials, if special tests only will be borne by BHEL.**
15. Weekly progress reports shall be submitted giving in detail the position of receipt of raw materials, progress of fabrication and completion of fabricated structures etc. The contractor shall submit at such times as may be requested by the Engineer-in-charge, schedules showing the programme and order in which the Contractor proposes to carryout the fabrication and erection works with dates and estimated completion times for various portions of the work. Such schedules shall be approved by the Engineer-in-charge prior to the starting of the relevant works.
16. BHEL would expect the contractor to take up simultaneously wherever possible both fabrication and erection of structures especially where a good deal of assembly work, which is in fact a continuation of the fabrication work, is required to be done at site. The painting and cloaking items of works, wherever possible, should be done simultaneously to save time. **The Contractor may with the prior approval of BHEL sublet the work.** The main contractor shall however, be responsible for all works executed on his behalf by the sub-contractors.

17. SETTING OUT AND ERECTING OF STEEL WORK:

- a) Erection of steel work shall generally be in accordance with the provision of IS 800 (Code of practice for use of structural steel in General Constructions).
- b) Site assembly of members on the ground by welding, bolting or otherwise as specified in shall be inspected thoroughly by the Engineer-in-charge, or his authorized representative and approved before erection.
- c) All equipment's, facilities and consumables for site fabrication as well as erection plant requirement, etc., such as derricks, cranes, lifting tackles, wire ropes, chain pulley blocks, jacks, winches etc. as necessary shall be arranged for by the Contractor at his own cost. Care shall be taken to see that all equipment's, tools and tackles and wire ropes etc. in use are always in good working conditions and fit for use. For all the tools and plants periodical calibration certificate from approved agency should be obtained. **The above lists should be enclosed along with the tender.**
- d) Frames shall be lifted at such points that they will not buckle or deform. Trusses shall be lifted only at nodes. Temporary bracing shall, if required, be provided at no extra cost, to relieve erection stresses.
- e) In the case of trusses and similar roof structures all or at least a majority of the purlins and wind bracings, shall be erected side by side with the erection of these structures. Columns shall be erected true to plumb, (no screed bars provided and fixed by the Contractor over the prepared pedestals), true to center line, level and gauge of traveling cranes. Alignment of the columns, crane girders and rails shall be done very carefully using high precision survey instruments and necessary adjustments made to suit actual requirements. **A list of survey instruments proposed to be used shall be furnished in the tender.**
- f) All damages to the steel work caused during the transit or otherwise shall be made good to the full satisfaction of BHEL at Contractor's own cost, before erection.

It shall be the sole responsibility of the Contractor to ensure accuracy of level, plumb, span and alignment of steel work before erection of other components.

18. PAINTING AFTER ERECTION:

- a) All steel work shall be given two coats of approved brands of first quality synthetic enamel ready mixed paint after erection (over the priming coat already provided). Painting shall be done as per IS 800 **Latest**. The shade, make, quality and other particulars of the paint proposed to be used, shall be subject to prior approval by BHEL.
- b) It is the responsibility of the Contractor to procure sufficient quantities of the approved paints well in advance to ensure their availability in time.

19. TIME ALLOWED (Period of Contract)

The following programme should be strictly followed.

- (i) Fabrication of structural steel works } Progressively from the date of award of
to be completed } work
- (ii) Erection, painting of the above } Progressively from the date on
structures, supply and erection of } which completion of civil work and
cloaking items etc. to be completed } the readiness of site declared as fit for
} erection

20. The contractor will have to provide and fix the necessary screed bars etc. at his own cost in proper line, level and position to facilitate the erection work. Further, the contractor should lay and maintain necessary temporary approaches within his working areas at his own cost to facilitate his work and for easy movement of vehicles, cranes etc. deployed on the work. **Only reasonable areas will be provided by BHEL.**
21. Till the expiry of the maintenance period after the completion of the entire contract work and handing over to BHEL, the contractor should retain the minimum equipments and staff required and should carry out the maintenance works with the least possible interference to the routine works of the new shop. Till the expiry of the maintenance period the contractor shall be responsible for all damages occurring due to any fault on his part or on the part of his workmen, sub-contractor or other agencies engaged by him.
22. BHEL shall have the right to take possession of or use any completed or partially completed part of the work. Such possession or use shall not be deemed to be acceptance of any work not in accordance with the contract.
23. The contractor shall observe all safety regulations and take necessary safety precautions as called for under the Factories Act or other relevant statute as applicable including the use of safety boots, safety belts, helmets and other equipments and accessories for ensuring safe execution of the contract and freedom from accidents.
24. The rates quoted in the Bill of Quantities of the tender for the fabrication item shall cover also the cost of preparation of DODL and similar incidental items. Fabrication works shall be undertaken only after the issue of approval of shop drawings.
25. The Contractor should co-operate with other contractors who may be executing their work in the same area in order to facilitate efficient execution of the entire project work in this area.
26. **BHEL is registered as an indenter for materials on rate contract with DGS & D. Tenderers who are on DGS & D List of rate contracts should mention their rate contract number and furnish a copy of the rate contract document with the tender.**
27. The Guarantee / Warranty period for this contract shall be **SIX MONTHS** from the date of completion of the entire work and handing over to BHEL. During this period the successful tenderer shall be at site on his own expense for replacement or repair of all defects arising out of faulty materials and / or workmanship.
28. Further particulars relating to design and fabrication and clarifications, if any, may be obtained on reference to the **Engineer-in-charge / Civil Designs** / Factory, BHEL, Tiruchirapalli-14 or his nominee.
29. The contractor shall engage a level-II NDT Inspector for inspection of NDT works.
30. Inspection will be done by BHEL Staff / Agencies appointed by BHEL for the works covered in the tender.
31. Painting, DFT of primer should be 25 micron.
32. Finish coat Painting, DFT 20 micron for each coat. Paint shall be of first quality product of approved brand as per list of approved brands for materials enclosed in the price bid.
33. Pre heating and post heating required shall be as per AWS (latest).

34. Welder qualification is to be done before commencement of the work and approved & qualified welder only shall be engaged in the work. Necessary testing charges shall be borne by the contractor.
35. For the supply of material the manufacturer's test certificate is to be produced.

GENERAL QUALITY CONTROL PROCEDURE FOR STRUCTURAL STEEL WORKS

The following quality standards are required to be maintained in all the structural steel fabrication components.

1. All the raw materials will be generally confirm to IS 2062-**2011** or equivalent.
2. The welding electrodes shall be kept in oven only.
- 3a. Submerged Arc welding has to be done for crane girder flange to web joints and built up column as per the details given in the approved drawings.
- 3b. E7018 Welding electrode rods shall be used where the thickness of plates are 20mm and more and as specified in the drawings issued.
- 3c. All the other weld in crane girder and butt welds in columns and beams shall be done with E 7018 welding electrodes.
- 3d. All the welds in Nodal points of trusses and lattice girders shall be done with E 7018 welding electrodes.
4. Pre heating shall be done for plates having thickness 25mm & more and the temperature shall be maintained by checking with thermal chalk, as per quality standards.
5. All erection welding, of any component shall be done using E 7018 Welding Electrode.
6. 100% visual check shall be carried out for raw materials and welding on all components and the welding areas during inspection, to be tested for LPI / MPI / UT / Radiography / PWHT as provided in the Quality Control Procedure.
7. Base plate to column shall be perfectly checked for perpendicularity.
8. All the components shall be checked for dimension at fit-up stage itself before the commencement of welding operation.
9. Contractor shall buy & use Black Hex. bolts and nuts as per IS Specifications as detailed below for fabrication & erection of steel structures.

Black Hex Bolts	IS 1363 - 2002 Part - I	(Class 5.6/5.8)
Black Hex Nuts	IS 1363 - 2002 Part - III	
Plain MS washer	IS 2016 - 1967 (Reaffirmed 2021)	
Taper washer for beams	IS 5374 - 1975 (Reaffirmed 2021)	
Taper washer for channel	IS 5372 - 1975 (Reaffirmed 2021)	
Spring washer	IS 3063 - 1964 (Reaffirmed 2021)	

Contractor shall buy & use the following welding consumables as detailed below:

10.

a)	SMAW	Electrodes	Manufacturer
	No.		
	1.	E 6013 & E 7018	D & H Secheron
	2.	E 6013 & E 7018	ESAB India Ltd.
	3.	E 6013 & E 7018	Modi Arc Electrode Co.
	4.	E 6013 & E 7018	D & H Welding Electrode (I) Ltd.
	5.	E 6013 & E 7018	MantekElectrods (P) Ltd.
	6.	E 6013 & E 7018	Ador Welding Ltd.
	7.	E 6013 & E 7018	Varun Electrodes Pvt. Ltd.

b) **SAW Wire**

Sl.No.	Brand	Manufacturer
1.	AUTO melt Grade A	Ador Welding
2.	Mantek Grade A	Mantek Wires
3.	Metaspool S1 dia. 4mm	Precision Wires
4.	OK Aut Rod 12.08 L	ESAB India Ltd.

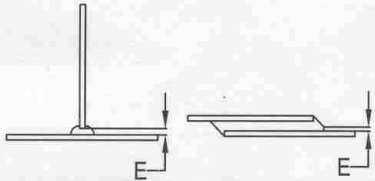
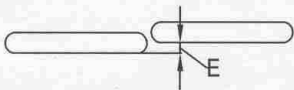
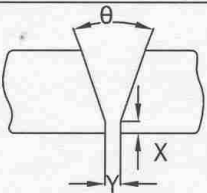
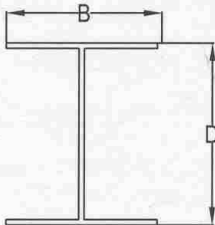
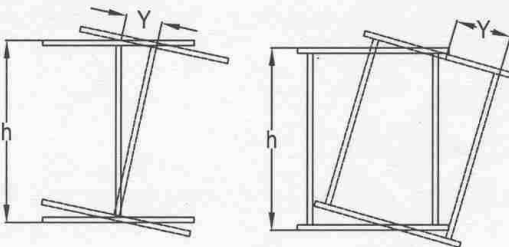
c) **Flux**

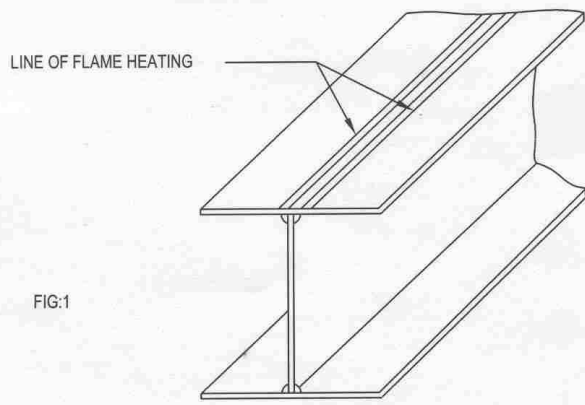
Sl.No.	Brand	Manufacturer
1.	Super S41	Super ElecInds
2.	Mantek 22	Mantek Welded Flux Co.
3.	RMH Auto Weld Grade 1	RMH Chemicals
4.	SWP 40 T	Super Weld Prod

d) **GMAW (Co2)**

Electrode	Brand	Manufacturer
ER70S-6 Co2 wire	Automig-1	Ador Welding Ltd.
ER70S-6 Co2 wire	Esab MW1	Esab India Ltd., Chennai
ER70S-6 Co2 wire	MantekMig	MantekWiress
ER70S-6 Co2 wire	Nouvarc	Nouveax Industries (P) Ltd., Kangayam
ER70S-6 Co2 wire	Autofil-6	Voltrac Electrode Pvt. Ltd., Tirupathi.
ER70S-6 Co2 wire	Prima Mig/Mag	Varun Electrodes Pvt. Ltd., Panipat.

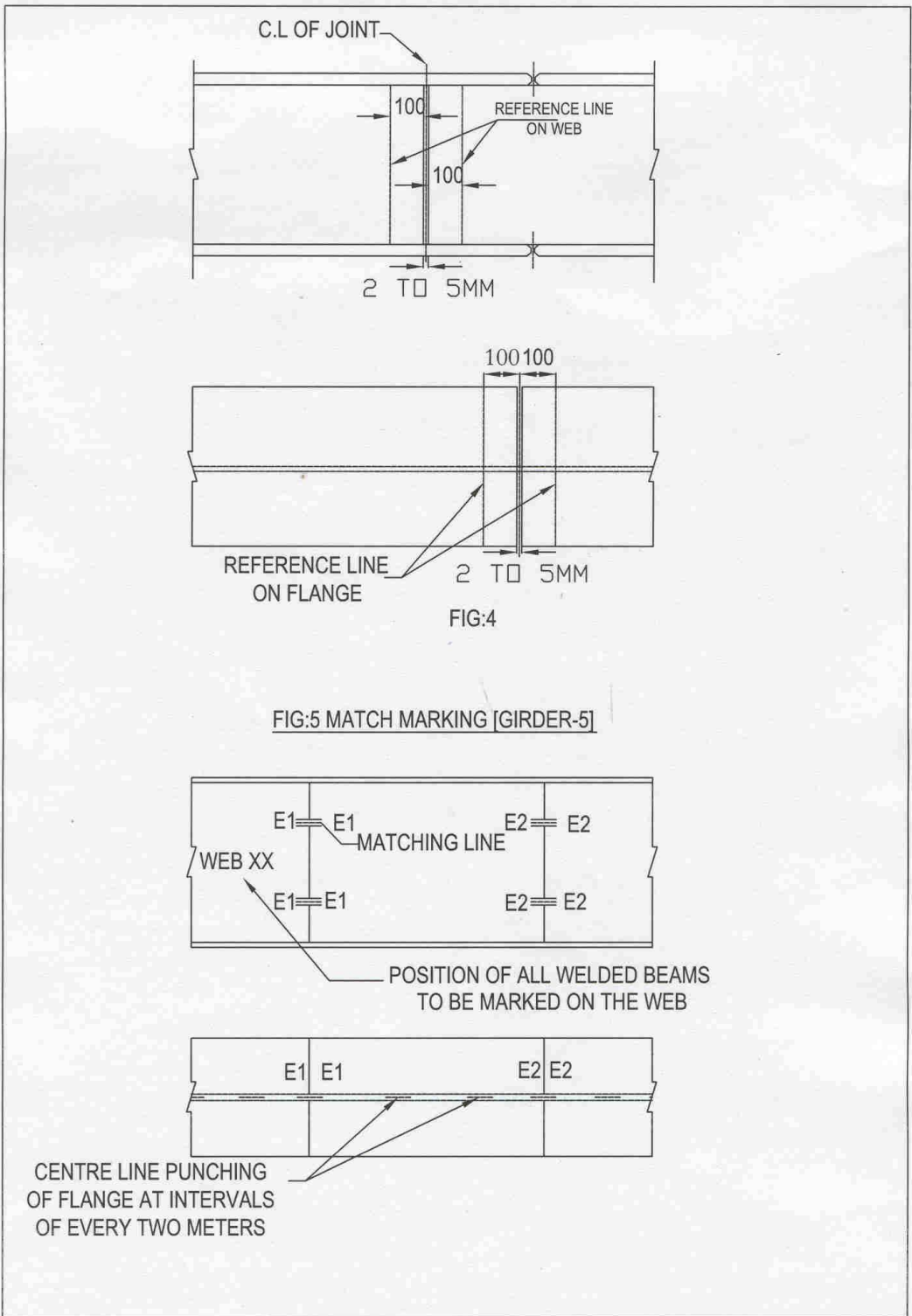
11. Rolled steel sections of depth greater than 450mm need to be visually checked for lamination before the process of fabrication. The doubtful area to be tested for LPI and if lamination is found UT Test to be carried-out.
12. The welding code of practice, procedures, specifications for electrodes / consumables etc., for manual welding and auto welding shall conform to AWS D1.1/D1.1M:2006 (Latest) and as per the QCP issued by BHEL component-wise.
13. All the fabrication and erection works shall have to be executed as per the QCP issued by BHEL.
14. All the fabrication and erection works will be inspected for Quality Control by a third party inspection agency as fixed by BHEL.

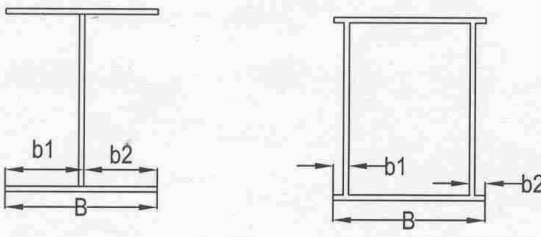
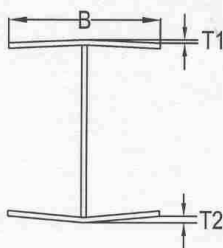
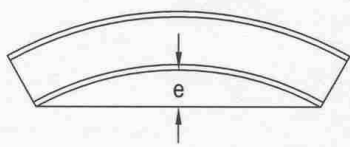
DESIGNATION	DETAIL OF SKETCH	PERMISSIBLE DEVIATION
FILLET WELD FIT UP	FIG:2 	MAX.LOCALISED GAP = 1.5mm
BUTT WELD	FIG:3 	CUT OF ALIGNMENT = 3 mm MAX
FIT UP	FIG:4 	FOR ,X ,Y , θ REFER = 1.2 & 3 OF CL 7:4:3
SECTION SIZE	FIG:5 	D: UPTO 1M : ± 3mm 1M TO 2M : ± 4.5mm OVER 2M : + 7.5 mm - 4.5mm B:±3mm
TWIST ON SECTION (Y)		Y=0.005h 10 mm MAX

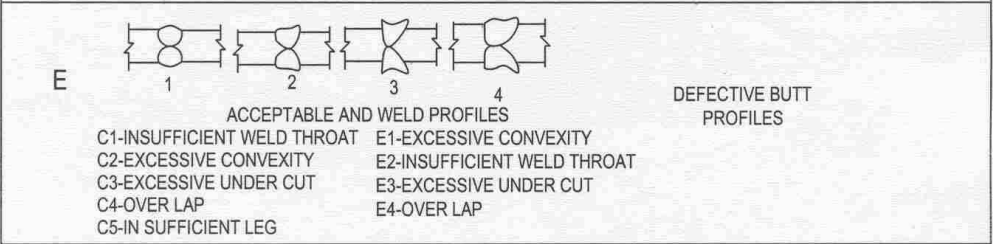
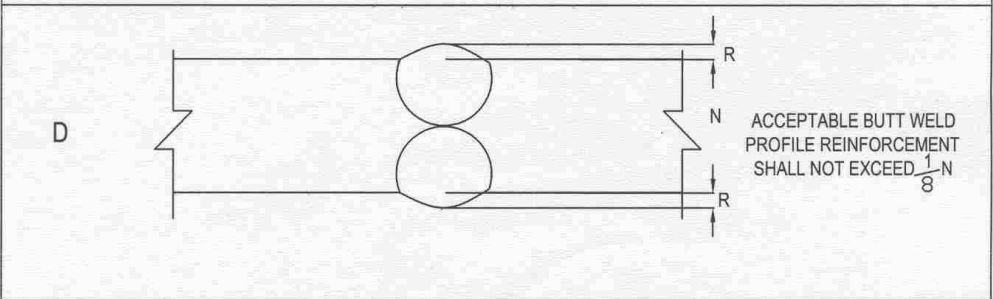
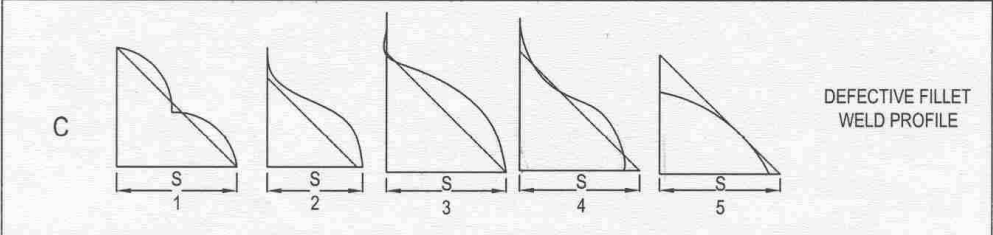
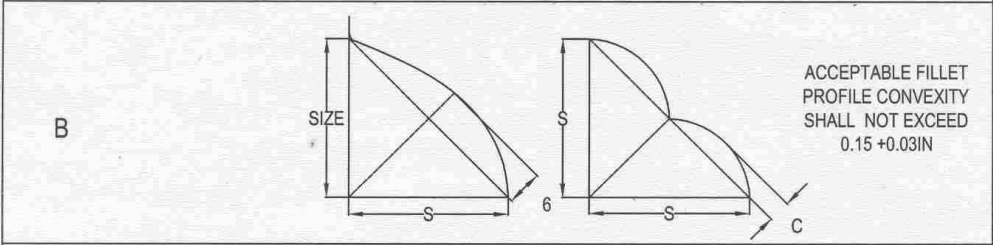
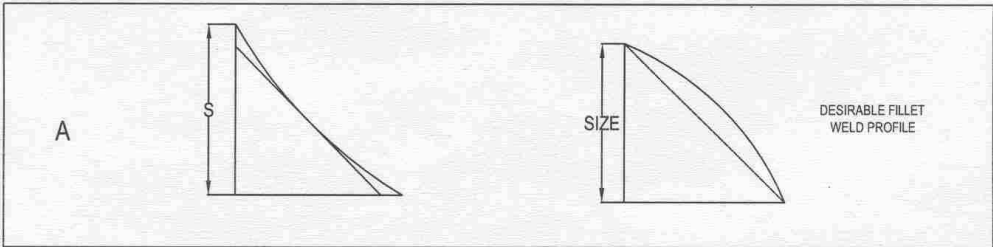


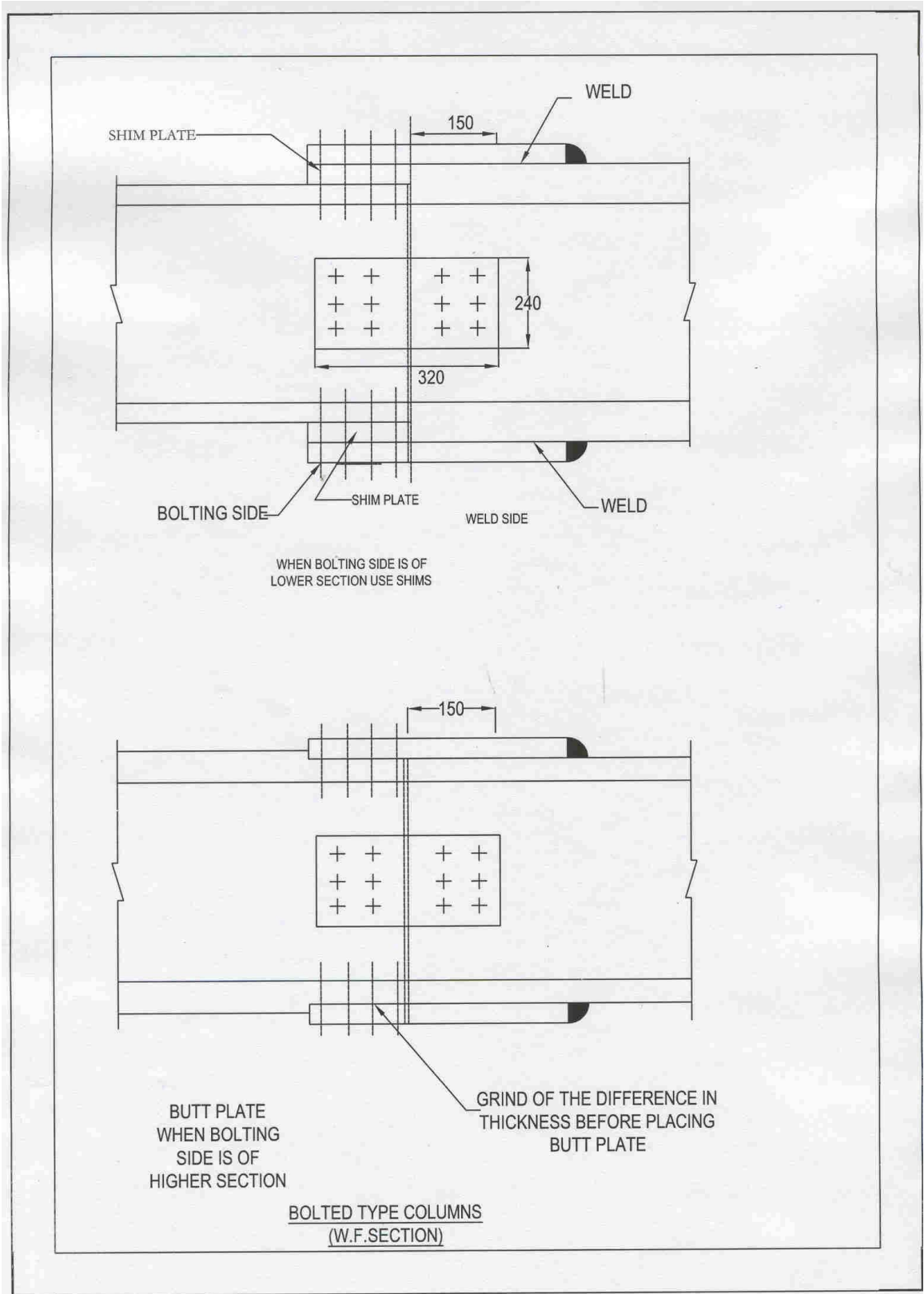
CORRECTION OF FLANGE WARPAGE

DESIGNATION	DETAIL OF SKETCH	PERMISSIBLE DEVIATION
WEB SHIFT		$\frac{b1 - b2}{2} = 2\text{mm}$
FLANGE WARPAGE		$T1+T2 = \frac{B}{100} \text{ OR } 6\text{MM}$



DESIGNATION	DETAIL OF SKETCH	PERMISSIBLE DEVIATION
WEB SHIFT	<p>FIGURE-7</p> 	$\frac{b1 - b2}{2} = 2\text{mm MAX}$
FLANGE WARPAGE	<p>FIGURE-8</p> 	$T1+T2 = \frac{B}{100} \text{ OR } 6\text{MM}$
CAMBER	<p>FIGURE-9</p> 	<p>$E = 1/1000 \times \text{length}$ SUBJECT TO MAX] OF 10mm.</p>





BHEL APPROVED BRANDS FOR THE FOLLOWING MATERIALS / ITEMS

Sl. No.	Material	Manufacturing Co.	Brand
1.	Synthetic Enamel Paint	Asian Berger ICI	Apcolite Luxol Dulux gloss
2.	Aluminium Paint	Berger	Berger Aluminium
3.	Interior Emulsion	Asian Berger ICI	Royale Luxol Silk Supercote
4.	Exterior Emulsion	Asian ICI	ACE Supercote
5.	Distemper	Asian Berger ICI	Tractor Bison Maxilite
6.	Cement Paint	Snowcem Agsarcem	Snowcem Agsarcem
7.	A.C. Sheets	Everest India Ltd. Hyderabad India Ltd. Visaka Industries Ltd. Ramco	Everest I Charminar Visaka Ramco
8.	G.I. Pipes	TATA Zenith	TATA Zenith
9.	PVC Pipes	Avonplast Finolex Truebore Vignesh	Avonplast Finolex Truebore Vignesh

In addition, CPWD approved brands shall also be considered based on written requests from contractor including for the materials which are not listed above. However, the decision of engineer in charge is final.

BHEL APPROVED BRANDS FOR THE FOLLOWING MATERIALS / ITEMS

Sl. No.	Material	Manufacturing Co.	Brand
1.	Synthetic Enamel Paint	Asian Berger ICI	Apcolite Luxol Dulux gloss
2.	Aluminium Paint	Berger	Berger Aluminium
3.	Interior Emulsion	Asian Berger ICI	Royale Luxol Silk Supercote
4.	Exterior Emulsion	Asian ICI	ACE Supercote
5.	Distemper	Asian Berger ICI	Tractor Bison Maxilite
6.	Cement Paint	Snowcem Agsarcem	Snowcem Agsarcem
7.	A.C. Sheets	Everest India Ltd. Hyderabad India Ltd. Visaka Industries Ltd. Ramco	Everest I Charminar Visaka Ramco
8.	G.I. Pipes	TATA Zenith	TATA Zenith
9.	PVC Pipes	Avonplast Finolex Truebore Vignesh	Avonplast Finolex Truebore Vignesh

In addition, CPWD approved brands shall also be considered based on written requests from contractor including for the materials which are not listed above. However, the decision of engineer in charge is final.

SECTION 7 - General Conditions of Contract (GCC)

TABLE OF CONTENTS

1. Chapter-1: General Instructions to Tenderers

- 1.1. Despatch Instructions
- 1.2. Submission of Tenders
- 1.3. Language
- 1.4. Price Discrepancy
- 1.5. Qualification of Tenderers
- 1.6. Evaluation of Bids
- 1.7. Data to be enclosed
- 1.8. Authorization and Attestation
- 1.9. Earnest Money Deposit
- 1.10. Security Deposit
- 1.11. Return of Security Deposit
- 1.12. Bank Guarantee
- 1.13. Validity of offer
- 1.14. Execution of Contract Agreement
- 1.15. Rejection of Tender and other Conditions
- 1.16. Intimation of change of name/re-constitution of the Organization

2. Chapter-2

- 2.1. Definitions
- 2.2. Law Governing Contract and Court Jurisdiction
- 2.3. Issue of Notice
- 2.4. Use of Land
- 2.5. Commencement of Work
- 2.6. Measurement of Work and Mode of Payment
- 2.7. Rights of BHEL
- 2.8. Responsibilities of Contractor in respect of Local Laws, Employment of Workers etc
- 2.9. Progress Monitoring, Monthly Review and Performance Evaluation
- 2.10. Time of Completion
- 2.11. Extension of Time for Completion
- 2.12. Insurance
- 2.13. Strikes & Lockout
- 2.14. Force Majeure
- 2.15. Settlement of Disputes
- 2.16. Retention Amount
- 2.17. Payments
- 2.18. Performance Guarantee for Workmanship
- 2.19. Closing of Contracts
- 2.20. Suspension of Business Dealings
- 2.21. Limitation on Liability
- 2.22. Cartel Formation
- 2.23. Fraud Prevention Policy
- 2.24. Order of Precedence
- 2.25. Other Issues

CHAPTER -1

1. GENERAL INSTRUCTION TO TENDERERS

1.1. DESPATCH INSTRUCTION

- i. The General Conditions of Contract form part of the Tender specifications. **For this tender, bidders shall use electronic Signature viz Digital Signature Certificate while uploading the tender documents on the GeM portal.** The information furnished shall be complete by itself. The tenderer is required to furnish all the details and other documents as required in the following pages.
- ii. Tenderers are advised to study all the tender documents carefully. Any submission of tender by the tenderer shall be deemed to have been done after careful study and examination of the tender documents and with the full understanding of the implications thereof. Should the tenderers have any doubt about the meaning of any portion of the Tender Specification or find discrepancies or omissions in the drawings or the tender documents issued are incomplete or shall require clarification on any of the technical aspect, the scope of work etc., he shall at once, contact the authority inviting the tender well in time (so as not to affect last date of submission) for clarification before the submission of the tender. Tenderer's request for clarifications shall be with reference to Sections and Clause numbers given in the tender documents. The specifications and terms and conditions shall be deemed to have been accepted by the tenderer in his offer. Non-compliance with any of the requirements and instructions of the tender enquiry may result in the rejection of the tender.
- iii. Integrity pact (IP) shall be applicable for all tenders / contracts if indicated in NIT. This IP shall be issued as part of the Tender documents and shall be submitted by the bidder along with Techno-commercial bid duly filled, signed and stamped by the authorized signatory who signs the bid. Entering into this pact shall be a preliminary qualification.

1.2. SUBMISSION OF TENDERS

- 1.2.1. The tenderers must submit their tenders to Officer inviting tender as per instructions in the NIT. Tenders shall be submitted through GeM portal as per instruction in NIT.
- 1.2.2. Tenderers to upload offers well in advance in order to avoid last minute congestion in GeM website. However, after submission of the tender, the tenderer can re-submit revised tender but before due date and time of submission of tender as notified.
- 1.2.3. Tenders shall be opened by Officer of BHEL at the time and date as specified in the NIT (or as per Corrigendum issued subsequently). For this tender, bidders may attend through online mode, if provisions are available in GeM portal.
- 1.2.4. Tenderers whose bids are found techno commercially qualified shall be notified through GeM system about the date and time of opening of the Price Bids. BHEL's decision in this regard shall be final and binding.
- 1.2.5. The information given in the tender documents is for general guidance and shall not be construed as contractually binding on BHEL/ Owner. All relevant site data/ information as may be necessary for bidding shall have to be obtained/ collected by the Tenderer.
- 1.2.6. The Tenderers are advised to physically visit the site to acquaint and satisfy themselves about the weather conditions, working culture in the area, socio- political environment, safety & security aspects, law & order situation, law of the land, transportation routes, various distances, surroundings of plant/ project premises together with all statutory, obligatory, mandatory requirements of various authorities and obtain for themselves all necessary

information as to the risks, contingencies and all other circumstances, which may influence or affect the discharge of various obligations under the Contract during contract period including extended period (if any).

- 1.2.7. The submission of bid will tantamount to due diligence having been done and it shall be deemed that:
- a) the Tenderer has obtained all necessary information as to risks, contingencies and other circumstances which may influence or affect the Works
 - b) the Tenderer accepts total responsibility for having foreseen all difficulties and costs of successfully completing the Works
 - c) the Tenderer accepts that, the Contract Price shall not be adjusted to take account of any unforeseeable or unforeseen difficulties or costs and the Tenderer shall not raise any claims/ disputes against BHEL and/ or Owner at later date in any manner whatsoever.

1.3. LANGUAGE

1.3.1 The tenderer shall quote the rates in English language and international numerals. These rates shall be entered in figures as well as in words. Tenderers are requested to refer the clauses of NIT/ Vol-II "Price Bid" for more details. For the purpose of the tenders, the metric system of units shall be used.

1.3.2 All entries in the tender shall either be typed or written legibly in ink. Erasing and overwriting is not permitted and may render such tenders liable for rejection. All cancellations and insertions shall be duly attested by the tenderer.

1.13.3 The language for Communication shall be "ENGLISH" with respect to all correspondence between the tenderer and BHEL

1.13.4 All orders, letters, eMails, notices served under this contract shall be in "ENGLISH" only

1.4 PRICE DISCREPANCY:

1.4.1 Price Bid opening: During opening of price bids, if there is any difference between the amount in figures and in words, the amount quoted by the bidder in words shall be taken as correct.

1.4.2 Reverse Auction: In case of Reverse Auction, the successful bidder shall undertake to execute the work as per overall price offered by him during the Reverse Auction process. (Guidelines as available on www.bhel.com on "supplier registration page".)

1.5 QUALIFICATION OF TENDERERS

- i. Only tenderers who have previous experience in the work of the nature and description detailed in the Notice Inviting Tender and/or tender specification are expected to quote for this work duly detailing their experience along with offer.
- ii. Offers from tenderers who do not have proven and established experience in the field shall not be considered.
- iii. The offers of the bidders who are on the debarred list shall be rejected. Further, offer of the bidders, who engage the services of the debarred firms or associated with the debarred firm, for present bid, shall also be rejected. The list of debarred firms is available on BHEL web site www.bhel.com.
- iv. Offers from tenderers who do not comply with the latest guidelines of Ministry/Commissions of Govt. of India shall not be considered.

1.6 EVALUATION OF BIDS

- i. Technical Bids submitted by the tenderer will be opened first and evaluated for fulfilling the Pre- Qualification criteria and other conditions in NIT/Tender documents, based on documentary evidences submitted along with the offer.
- ii. In case the same qualifying experience is claimed by more than one agency, then:
 - a. The agency who has executed the work as per documentary evidence submitted shall only be qualified. Scope of qualifying work should be totally with the agency who has executed and in case it is only labour and consumables without T&P, then the credentials of execution is assigned to the first agency and not to the agency who has executed only as labour supply contractor. Further, BHEL reserves the right to ask for any other proof for the said job.
 - b. However, if the same is on account of subletting, part of scope by one agency to another agency in a project of BHEL, experience of both the agencies may be considered for the sublet portion of the work provided subletting has been done with the approval of BHEL.
- iii. In case the qualifying experience is claimed by bidder is based on 'Work Order' and 'Experience Certificates' from any organization other than BHEL (main agency), then it shall be the responsibility of the bidder to submit (in addition to the experience certificate from main agency) relevant certificate regarding qualifying experience from the end Customer or the Turnkey-Contractor (if any) who has awarded the work to main agency, as a proof for having executed subject qualifying work. BHEL reserves the right to ask for any other proof for the said job.
- iv. Assessing Bidder's Capacity for executing the current tender shall be as per Notice Inviting Tender.
- v. Price Bids of shortlisted bidders shall only be opened through the electronic price bid opening with/without Reverse Auction, at the discretion of BHEL. Unless specified otherwise in the tender, the L1 bidder amongst all the shortlisted bidders shall be considered for award. However, the L1 bidder shall have no claim on the award & BHEL reserves the right to award the tender at its sole discretion.
- vi. Price Bids of unqualified bidders shall not be opened. Reasons for rejection shall be intimated in due course either through system generated e-mail or through letter/e-mail after award to successful bidder.
- vii. Bidders are advised to also refer to clause no 2.9.4 regarding evaluation of their performance in ongoing projects.

1.7 DATA TO BE ENCLOSED

Full information shall be given by the tenderer in respect of the following. Non- submission of this information may lead to rejection of the offer.

i) INCOME TAX PERMANENT ACCOUNT NUMBER

Certified copies of Permanent Account Numbers as allotted by Income Tax Department for the Company/Firm/Individual Partners etc. shall be furnished along with tender.

ii) An attested copy of the Power of Attorney, in case the tender is signed by an individual other than the sole proprietor.

iii) The organization chart of the tenderer's organization, including the names, addresses and contact information of the Directors/Partners shall be furnished along with the offer.

iv) **IN CASE OF INDIVIDUAL TENDERER:**

His / her full name, address, PAN and place & nature of business.

v) **IN CASE OF PARTNERSHIP FIRM:**

The names of all the partners and their addresses, copy of self attested PAN of all the individual partners, copy of the partnership deed/ instrument of partnership duly certified by the Notary Public shall be enclosed.

vi) **IN CASE OF COMPANIES:**

- a) Date and place of registration including date of commencement certificate in case of Public Companies (certified copies of Memorandum and articles of Association are also to be furnished).
- b) Nature of business carried on by the Company and the provisions of the Memorandum relating thereof.

1.8 AUTHORIZATION AND ATTESTATION

Tenders shall be signed by a person duly authorized/empowered to do so, for which a Power of Attorney is to be submitted along with the tender offer. For company, a Power of Attorney (as per format in Annexure-15) shall be submitted.

1.9 EARNEST MONEY DEPOSIT

1.9.1 Every tender must be accompanied by the prescribed amount of Earnest Money Deposit (EMD) in the manner described herein.

- i. EMD shall be furnished before tender opening / along with the offer in full as per the amount indicated in the NIT.
- ii. The EMD up to an amount of Rs. 2 Lakh is to be paid only in the following forms:
 - a. Cash deposit as permissible under the extant Income Tax Act (before tender opening).
 - b. Electronic Fund Transfer credited in BHEL account (before tender opening).
 - c. Banker's cheque / Pay order / Demand draft, in favour of 'Bharat Heavy Electricals Limited' and payable at Regional HQ issuing the tender (along with offer).
 - e. Insurance Surety Bonds
 - f. In case EMD amount is more than Rs. Two Lakhs, Tenderer has the option to submit the amount in excess of Rs. Two lakhs in the forms described above in clause no. 1.7.1. ii) (a) to (e) or in the form of Bank Guarantee from Scheduled Bank (along with the Offer). The Bank Guarantee in such cases shall be valid for at least six months from the due date of tender submission. The Bank Guarantee format for EMD shall be in the prescribed formats.
- iii. No other form of EMD remittance shall be acceptable to BHEL.
- iv. Proof of EMD: Bidder shall upload the scanned copy of EMD along with bid submission through GeM Portal. However, for the purpose of realization, the bidder shall send the demand draft/ banker's cheque/ pay order/ Bank Guarantee/ Insurance Surety Bonds, in original, to the designated officer through post/courier or by hand within reasonable time.

1.9.2 EMD by the Tenderer will be forfeited as per NIT conditions, if:

- i. After opening the tender and within the offer validity period, the tenderer revokes his tender or makes any modification in his tender which is not acceptable to BHEL. OR
- ii. The successful Contractor, on whom the work has been awarded, fails to deposit the required Security deposit or commence the work within the period as per LOI/ LOA/ Contract or refuse to accept the LIO/LOA/Contract.

EMD by the tenderer shall be withheld in case any action on the tenderer is envisaged under the provisions of extant "Guidelines on Suspension of business dealings with suppliers/ contractors" of BHEL and forfeited/ released based on the action as determined under these guidelines.

1.9.3 EMD shall not carry any interest.

1.9.4 EMD given by all unsuccessful tenderers shall be refunded normally within fifteen days of award of work.

1.9.5 Cash portion of EMD of successful tenderer will be retained as part of Security Deposit. EMD submitted in the form of Bank Guarantee shall be retained by BHEL until the receipt of the Security Deposit.

1.10 SECURITY DEPOSIT

1.10.1 Upon acceptance of Tender, the successful bidder shall be required to deposit the 5% of the contract value as Security Deposit towards fulfilment of any obligations in terms of the provisions of the contract.

1.10.2 The Security Deposit shall be furnished before start of the work by the contractor.

1.10.3 The required Security Deposit may be accepted in the following forms.

- i) Cash (as permissible under the extant Income Tax Act).
- ii) Local cheques of Scheduled Banks (subject to realization)/ Pay Order/ Demand Draft/ Electronic Fund Transfer in favour of BHEL.
- iii) Securities available from Indian Post offices such as National Savings Certificates, Kisan Vikas Patras etc. (held in the name of Contractor furnishing the security and duly endorsed/ hypothecated/ pledged, as applicable, in favour of BHEL).
- iv) Bank Guarantee from Scheduled Banks/ Public Financial Institutions as defined in the Companies Act. The Bank Guarantee format for Security Deposit shall be in the prescribed formats.
- v) Insurance Surety Bonds.

Note:

- i) BHEL will not be liable or responsible in any manner for the collection of interest or renewal of the documents or in any other matter connected therewith.
- ii) In case of delay in submission of Security Deposit, enhanced security deposit which would include interest (Repo rate + 4%) for the delayed period, shall be submitted by the bidder before submission of first bill

1.10.4 The Security Deposit shall not carry any interest.

1.10.5 In case the value of work exceeds the awarded / accepted value, the Security Deposit shall be correspondingly enhanced as given below:

- i) The enhanced part of the Security Deposit shall be immediately deposited by the Contractor or adjusted against payments due to the Contractor.
- ii) Contract value for the purpose of operating the increased value of Security Deposit due to Quantity Variation, shall be exclusive of Price Variation Clause, Over Run Compensation and Extra works done on man-day rates.
- iii) The recoveries made from running bills can be released against submission of equivalent Bank Guarantee in acceptable form, but only once, before completion of work, with the approval of competent authority of BHEL.

1.10.6 The validity of Bank Guarantees towards Security Deposit shall be valid till actual completion of work + Maintenance Period + 3 months.

1.10.7 BHEL reserves the right of forfeiture of Security Deposit in addition to other claims, damages and remedies in the event of the Contractor's failure to fulfill any of the contractual obligations or in the event

of termination of contract as per terms and conditions of contract. BHEL reserves the right to set off the Security Deposit against any claims of other contracts with BHEL by giving prior notice to the contractor.

1.11 RETURN OF SECURITY DEPOSIT

Security Deposit shall be released to the contractor upon fulfilment of contractual obligations as per terms of the contract including completion of Maintenance Period after deducting all expenses / other amounts due to BHEL under the contract.

The Security Deposit will be refunded to the contractor in respect of all contracts on completion of work and after payment of final bill and on expiry of the maintenance period, provided the contractor shall have rendered a "No-Demand" Certificate. In case of works where maintenance period is not involved 100% of the Security Deposit may be refunded after payment of final bill provided that the contractor shall have rendered a "No-Demand Certificate

1.12 BANK GUARANTEES

Where ever Bank Guarantees are to be furnished/submitted by the contractor, the following shall be complied with

- i. Bank Guarantees shall be from Scheduled Banks / Public Financial Institutions as defined in the Companies Act. Bank Guarantees issued by Co-Operative Banks/ Financial Institutions shall not be accepted.
- ii. The Bank Guarantees shall be as per prescribed formats.
- iii. It is the responsibility of the bidder to get the Bank Guarantees revalidated/extended for the required period as per the advice of BHEL. BHEL shall not be liable for issue of any reminders regarding expiry of the Bank Guarantees.
- iv. In case extension/further extensions of any Bank Guarantees are not required, the bidders shall ensure that the same is explicitly endorsed by the Construction Manager and submitted to the BHEL unit issuing the LOI/LOA.
- v. In case the Bank Guarantees are not extended before the expiry date, BHEL reserves the right to invoke the same by informing the concerned Bank in writing, without any advance notice/communication to the concerned bidder.
- vi. Bidders to note that any corrections to Bank Guarantees shall be done by the issuing Bank, only through an amendment in an appropriate non judicial stamp paper.
- vii. The Original Bank Guarantee shall be submitted to BHEL Trichy/ WCM dept of BHEL unless specified otherwise in TCC.

1.13 VALIDITY OF OFFER

The rates in the Tender shall be kept open for acceptance for a minimum period of **SIX MONTHS** from latest due date of offer submission (including extension, if any). In case BHEL (Bharat Heavy Electricals Ltd) calls for negotiations, such negotiations shall not amount to cancellation or withdrawal of the original offer which shall be binding on the tenderers.

1.14 EXECUTION OF CONTRACT AGREEMENT

The successful tenderer's responsibility under this contract commences from the date of issue of the Letter of Award by Bharat Heavy Electricals Limited. The successful tenderer shall be required to execute an agreement in the prescribed form, with BHEL, within a reasonable time after the acceptance of the Letter of Award, and in any case before releasing the first running bill. The contract agreement shall be signed by a person duly authorized through /empowered by the tenderer. The expenses for preparation of agreement document shall be borne by BHEL. The contractor shall furnish a "Non Judicial Stamp Paper" of appropriate value (as of now Rs 100/-) for execution of the agreement

1.15 REJECTION OF TENDER AND OTHER CONDITIONS

1.15.1 The acceptance of tender will rest with BHEL which does not bind itself to accept the lowest tender nor any tender and reserves to itself full rights for the following without assigning any reasons whatsoever:

- a) To reject any or all of the tenders.
- b) To split up the work amongst two or more tenderers as per NIT.
- c) To award the work in part if specified in NIT.
- d) In case of either of the contingencies stated in (b) and (c) above, the time for completion as stipulated in the tender shall be applicable.

1.15.2 Conditional tenders, unsolicited tenders, tenders which are incomplete or not in the form specified or defective or have been materially altered or not in accordance with the tender conditions, specifications etc. are liable to be rejected.

1.15.3 Tenders are liable to be rejected in case of unsatisfactory performance of the tenderer with BHEL or tenderer under suspension (debarred) by any unit / region / division of BHEL or tenderers who do not comply with the latest guidelines of Ministry/Commissions of Govt of India.

1.15.4 If a tenderer who is a proprietor expires after the submission of his tender or after the acceptance of his tender, BHEL may at their discretion, cancel such tender. If a partner of a firm expires after the submission of tender or after the acceptance of the tender, BHEL may then cancel such tender at their discretion, unless the firm retains its character. In case BHEL resolves to cancel the tender under this clause, BHEL will issue a notice in this regard containing reasons as to the cancellation of tender. The contractor shall be required to furnish his response to such notice within a period of 14 days from the date of receipt of such notice through any means (BHEL reserves the right to decrease the period upto 05 days). BHEL after due consideration of the representation made by contractor shall communicate its final decision within a reasonable period.

In case contractor fails to submit any response to the notice issued by BHEL within the period stipulated in the notice, BHEL at its discretion may proceed to cancel the contract.

Contractor shall not be eligible for any compensation whatsoever for the cancellation of contract under this clause

1.15.5 BHEL will not be bound by any Power of Attorney granted by changes in the composition of the firm made subsequent to the execution of the contract. BHEL may, however, recognize such power of Attorney and changes after obtaining proper legal advice, the cost of which will be chargeable to the contractor concerned.

1.15.6 If the tenderer deliberately gives wrong information in his tender, BHEL reserves the right to reject such tender at any stage or to cancel the contract if awarded and forfeit the Earnest Money/Security Deposit/any other money due.

1.15.7 Canvassing in any form in connection with the tenders submitted by the Tenderer shall make his offer liable to rejection.

1.15.8 In case the Proprietor, Partner or Director of the Company/Firm submitting the Tender, has any relative or relation employed in BHEL, the authority inviting the Tender shall be informed of the fact as per specified format, along with the Offer. Failing to do so, BHEL may, at its sole discretion, reject the tender or cancel the contract and forfeit the Earnest Money/Security Deposit.

1.15.9 The successful tenderer (Contractor) shall not sub-contract any portion of work detailed in the tender specification undertaken by him without written permission of BHEL's Construction Manager/Site in charge. BHEL, at its discretion, may consider the written request from the Contractor and permit subletting of part scope. However, the Contractor is solely responsible to BHEL for the work awarded to him.

1.15.10 The Tender submitted by a techno commercially qualified tenderer shall become the property of BHEL who shall be under no obligation to return the same to the bidder.

1.15.11 Unsolicited discount received after the due date and time of Bid Submission shall not be considered for evaluation. However, if the party who has submitted the unsolicited discount/rebate becomes the L-1 party, then the awarded price i.e. contract value shall be worked out after considering the discount so offered.

1.15.12 BHEL shall not be liable for any expenses incurred by the bidder in the preparation of the tender irrespective of whether the tender is accepted or not.

1.16 INTIMATION OF CHANGE OF NAME/ RE-CONSTITUTION OF THE ORGANIZATION

In the event of the organization (Proprietorship/Partnership/Company) undergoing any change of name or reconstitution, prior intimation of the same shall be given to BHEL. Upon such changes coming into effect, the same is to be intimated to BHEL immediately with supporting documents as applicable.

CHAPTER-2

2.1 DEFINITION: The following terms shall have the meaning hereby assigned to them except where the context otherwise requires

- i) BHEL shall mean Bharat Heavy Electricals Limited, a company registered under Indian Companies Act 1956, having its Registered Office at BHEL HOUSE, SIRI FORT, NEW DELHI – 110 049, and its office at (inviting tenders) (None of the Unit or Power Sector Regional Offices or its Authorized Officers.
- ii) "EXECUTIVE DIRECTOR" or "GENERAL MANAGER (In- charge)" or "GENERAL MANAGER" shall mean the Officer in Administrative charge of the respective UNIT/Power Sector Region.
- iii) "COMPETENT AUTHORITY" shall mean BHEL Officers who are empowered to act on behalf of BHEL.
- iv) "ENGINEER" or "ENGINEER IN CHARGE" shall mean an Officer of BHEL as may be duly appointed and authorized by BHEL to act as "Engineer" on his behalf for the purpose of the Contract, to perform the duty set forth in this General Conditions of Contract and other Contract documents. The term also includes 'CONSTRUCTION MANAGER' or 'SITE INCHARGE' as well as Officers of the respective units. For the purpose of joint measurement, verification, certification and/ or approval of the work and/ or documents under the contract the word "Engineer" or "Engineer Incharge" shall be deemed to include the Engineers of the Customer and/ or his Consultant also.
- v) "SITE" shall mean the places or place at which the plants/equipments are to be erected and services are to be performed as per the specification of this Tender.
- vi) "CLIENT OF BHEL" or "CUSTOMER" shall mean the project authorities with whom BHEL has entered into a contract for supply of equipments or provision of services.
- vii) "CONTRACTOR" shall mean the successful Bidder/Tenderer who is awarded the Contract and shall include the Contractor's successors, heirs, executors, administrators and permitted assigns.
- viii) "CONTRACT" or "CONTRACT DOCUMENT" shall mean and includes the Agreement or Work Order, the accepted appendices of Rates, Schedules, Quantities if any, Offer submitted by contractor including acceptance to General Conditions of Contract, Special Conditions of Contract, Instructions to the Tenderers, Drawings, Technical Specifications, the Special Specifications if any, the Tender documents, subsequent amendments /corrigendum to Tender mutually agreed upon and the Letter of Intent/Award/Acceptance issued by BHEL. Any conditions or terms stipulated by the contractor in the tender documents or subsequent letters shall not form part of the contract unless, specifically accepted in writing by BHEL in the Letter of Intent/Award and incorporated in the agreement or amendment thereof.
- ix) "GENERAL CONDITIONS OF CONTRACT" shall mean the 'Instructions to Tenderers' and 'General Conditions of Contract' pertaining to the work for which above tenders have been called for.
- x) "TENDER SPECIFICATION" or "TENDER" or "TENDER DOCUMENTS" shall mean General Conditions, Common Conditions, Special Conditions, Price Bid, Rate Schedule, Technical Specifications, Appendices, Annexures, Corrigendums, Amendments, Forms, Procedures, Site information etc. and drawings/documents pertaining to the work for which the tenderers are required to submit their offers. Individual specification number will be assigned to each Tender Specification.
- xi) "LETTER OF INTENT/ AWARD" shall mean the intimation by a Letter/Fax/email to the tenderer that the tender has been accepted in accordance with provisions contained in the letter. The responsibility of the contractor commences from the date of issue of this letter and all terms and conditions of the contract are applicable from this date.
- xii) "COMPLETION TIME" shall mean the period by 'date/month' specified in the 'Letter of Intent/Award' or date mutually agreed upon for handing over of the intended scope of work, the erected equipment/plant which are found acceptable by the Engineer, being of required standard and conforming to the specifications of the Contract.
- xiii) "PLANT" shall mean and connote the entire assembly of the plant and equipments covered by the contract.
- xiv) "EQUIPMENT" shall mean equipment, machineries, materials, structural, electricals and other components of the plant covered by the contract.

- xv) "TESTS" shall mean and include such test or tests to be carried out on the part of the contractor as are prescribed in the contract or considered necessary by BHEL in order to ascertain the quality, workmanship, performance and efficiency of the contractor or part thereof.
- xvi) "APPROVED", "DIRECTED" or "INSTRUCTED" shall mean approved, directed or instructed by BHEL.
- xvii) "WORK or CONTRACT WORK" shall mean and include supply of all categories of labour, specified consumables, tools and tackles and Plants required for complete and satisfactory site transportation, handling, stacking, storing, erecting, testing and commissioning of the equipments to the entire satisfaction of BHEL.
- xviii) "SINGULAR AND PLURALS ETC" words carrying singular number shall also include plural and vice versa, where the context so requires. Words imparting the masculine Gender shall be taken to include the feminine Gender and words imparting persons shall include any Company or Associations or Body of Individuals, whether incorporated or not.
- xix) "HEADING" – The heading in these General Conditions are solely for the purpose of facilitating reference and shall not be deemed to be part thereof or be taken as instructions thereof or of the contract.
- xx) "MONTH" shall mean calendar month unless otherwise specified in the Tender.
- xxi) 'Day' or 'Days' unless herein otherwise expressly defined shall mean calendar day or days of twenty-four (24) hours each. A Week shall mean continuous period of seven (7) days.
- xxii) "COMMISSIONING" shall mean the synchronization testing and achieving functional operation of the Equipment with associated system after all initial adjustments, trials, cleaning, re-assembly required at site if any, have been completed and Equipment with associated system is ready for taking into service.
- xxiii) "WRITING" shall include any manuscript type written or hand written or printed statement or electronically transmitted messages, under the signature or seal or transmittal of BHEL.
- xxiv) "TEMPORARY WORK" shall mean all temporary works for every kind required in or for the execution, completion, maintenance of the work.
- xxv) 'CONTRACT PRICE' or 'CONTRACT VALUE' shall mean the sum mentioned in the LOI/LOA/Contract Agreement subject to such additions thereto or deductions there from as may be made under provisions hereinafter contained.
- xxvi) 'EXECUTED CONTRACT VALUE' shall mean actual value of works executed by the contractor and certified by BHEL. This value shall not include PVC, ORC, Extra Works and Taxes.
- xxvii) "COMMENCEMENT DATE" or "START DATE" shall mean the commencement/start of work at Site as per terms defined in the Tender.
- xxviii) "SHORT CLOSING" or "FORE CLOSING" of Contract shall mean the premature closing of Contract, for reasons not attributable to the contractor and mutually agreed between BHEL and the contractor.
- xxix) "TERMINATION" of Contract shall mean the pre mature closing of contract due to reasons as mentioned in the contract.
- xxx) "DE MOBILIZATION" shall mean the temporary winding up of Site establishment by Contractor leading to suspension of works temporarily for reasons not attributable to the contractor.
- xxxi) "RE MOBILIZATION" shall mean the resumption of work with all resources required for the work after demobilization.
- xxxii) "OVERRUN CHARGES (ORC)" shall mean and include all the costs incurred by the Contractor during the extended period of the contract, including but not limited to any cost arising out of idle labour, administrative cost, T & P and machinery.

2.2 LAW GOVERNING THE CONTRACT AND COURT JURISDICTION

The contract shall be governed by the Laws of India. Subject to clause 2.15 of this contract, the Civil Court having original Civil Jurisdiction at Tiruchirappalli, shall alone have exclusive jurisdiction in regard to all matters in respect of the Contract.

2.3 ISSUE OF NOTICE

2.3.1 Service of notice to the Contractor

Any notice to be given to the Contractor under the terms of the contract shall be served by sending the same by Email/ Registered Post/Speed Post to or leaving the same at the Contractor's last known address of the principal place of business (or in the event of the contractor being a company, to or at its Registered Office). In case of change of address, the notice shall be served at changed address as notified in writing by the Contractor to BHEL. Such dispatch or display posting or leaving of the notice as the case may be shall be deemed to be good service of such notice and the time mentioned to the condition for doing any act after notice shall be reckoned from the date so mentioned in such notice.

2.3.2 Service of notice to BHEL

Any notice to be given to BHEL In-charge of the Region under the terms of the Contract shall be served by sending the same by Registered/AD or Speed post to BHEL address or changed address as notified in writing by BHEL to the Contractor.

2.4 USE OF LAND

No land belonging to BHEL shall be occupied by the contractor without written permission of BHEL.

2.5 COMMENCEMENT OF WORK

2.5.1 The contractor shall commence the work as per the time indicated in the Letter of Intent/Award from BHEL and shall proceed with the same with due expedition without delay.

2.5.2 If the contractor fails to start the work within stipulated time as per LOI/ LOA or as intimated by BHEL, then BHEL at its sole discretion shall have the right to cancel the contract. The Earnest Money and/or Security Deposit furnished by the contractor to under this tender will stand forfeited without any further reference to him and without prejudice to BHEL's other rights and remedies under this contract and the applicable laws in this regard.

2.5.3 All the work shall be carried out under the direction and to the satisfaction of BHEL.

2.6 MEASUREMENT OF WORK AND MODE OF PAYMENT:

2.6.1 All payments due to the contractors shall be made by e mode only, unless otherwise found operationally difficult for reasons to be recorded in writing and approved by contract executing department.

2.6.2 All items having a financial value shall be entered in the B.H.E.L Measurement Book so that a complete record is obtained of all works performed under the Contract. Buildings, etc., priced in Schedule 'A' as a unit lumpsum will be entered by number at the unit lumpsum. Work carried out for agreed lumpsum will be described and similarly recorded. Lumpsum omissions will be entered for deduction. Measurement shall be restricted to that required to ascertain the financial liability of B.H.E.L under the contract. Work which fails to be measured in detail shall be measured physically, without reference to any local custom that may obtain excepting where it may otherwise be directed in the tender documents. The measurements shall be taken jointly by any person duly authorized on the part of the BHEL and by the Contractor.

- a) The contractor shall give not less than seven days' notice to the Engineer-in-Charge or his/her authorized representative in charge of the work before covering up or otherwise placing beyond the reach of checking and/or test checking the measurement of any work in order that the same may be checked and/or test checked and correct dimensions thereof be taken before the same is covered up or placed beyond the reach of checking and/or test checking measurement and shall not cover up and place beyond reach of measurement any work without consent in writing of the Engineer-in-Charge or his/her authorized representative in charge of the work who shall within the aforesaid period of seven days inspect the work, and if any work shall be covered up or placed beyond the reach of checking and/or test checking measurements without such notice having been given or the Engineer-in-Charge's consent being obtained in writing the same shall be uncovered at the Contractor's expense, or in default thereof no payment or allowance shall be made for such work or the materials with which the same was executed.
- b) All measurements and levels recorded by the contractor or his authorized representative from time to time, during the progress of the work, shall be got checked by the contractor from the Engineer-in-Charge or his/her authorized representative as per interval or program fixed in consultation with Engineer-in-Charge or his/her authorized representative.
- c) Measurement shall be restricted to that portion of work for which it is required to ascertain the financial liability of BHEL under this contract.
- d) It is also a term of this contract that checking and/or test checking the measurements/ levels of any item of work in the measurement book and/or its payment in the interim, on account of final bill shall not be considered as conclusive evidence as to the sufficiency of any work or material to which it relates nor shall it relieve the contractor from liabilities from any over measurement or defects noticed till completion of the defects liability period.
- e) All such measurements and levels of work done during previous month shall be recorded by the contractor and printed in pages of A-4 size as per the format of the department so that a complete record is obtained of all the items of works executed under the contract during the said period.
- f) These measurement sheets shall be prepared jointly with BHEL Engineers and signed by both the parties. The basis of arriving at the quantities, weights shall be relevant documents and drawings released by BHEL.
- g) Based on the above measurement sheets, contractor shall work out the financial value of the same as per the agreed price schedule in a prescribed format and submit the same as an abstract.
- h) The Measurement sheets and abstracts, of work done during previous month (along with soft copy in MS-Excel in prescribed format) shall be computerized and submitted in triplicate through letter of transmittal to the Engineer-in-charge by seventh day of succeeding month. One copy shall be acknowledged & returned.
- i) On submission of documents mentioned above, upon verification by the Engineer-in-charge and/or his/her authorized representative, if any change is required, then the same shall be done by the Engineer-in-charge and/or his/her authorized representative in the same under the dated initials signature, name and designation of the person seeking the change in two copies of such documents. All changes are to be finally authorized by the Engineer-in-Charge.
- j) Thereafter one copy of the corrected Measurement sheets & Abstract shall be sent by the Engineer-in-charge to the contractor and the other copy shall be retained by the Engineer-in-charge in his office. If there is no correction, the same shall be recorded by the Engineer-in-charge and sent to the contractor.
- k) The contractor shall then have to submit final Measurement sheets & abstract without any corrections, in triplicate through letter of transmittal signed by the authorized signatory of the contractor to the

Engineer-in-Charge who shall get it cross checked from the already corrected Measurement sheets & Abstract.

l) During submission of final Measurement sheets & abstract, the contractor shall have to submit GST Complaint Invoice copies (5 Originals) in a prescribed format along with supporting documents such as

- a) Two copies of Statutory compliance details such as
 - I. Attendance register,
 - II. Wage register,
 - III. Bank statement as a proof for remitting wages to Labors/persons engaged,
 - IV. ESI, PF & Bonus (both Employer and Employee contributions) amounts which are to be remitted for total wages to be paid and respective challans

are to be produced along with invoices for all the respective Labors/persons engaged in the contract for the particular service period.

- b) Details of bought out items by contractor
- c) Quality documents as per Quality Assurance Plan

m) Once the Engineer-in-charge is satisfied that all measurements and abstract are free from any corrections, modifications, over-writings, and insertions etc., Final corrected measurements shall be entered in the E-Measurement Book, the same shall be printed & pasted in BHEL Measurement Book, signed and dated by both parties in such a manner that part of the signature appear on the computer generated statement and part on the Measurement Book sheet.

n) If the contractor fails to submit the measurements along with abstract of measurements for the work done continuously for two months, then the Engineer-In-charge shall get the executed work measured ex-parte after giving a notice of seven working days to the contractor in writing either through site order book or any other mode of correspondence. The ex-parte measurements so undertaken by the Engineer-in-Charge shall be final and binding on the Contractor outside the purview of Arbitration & reconciliation clause mentioned in the tender documents.

o) Resources deployed by the Engineer-in-charge for ex-parte measurements, subject to minimum of Rs 7500.00 per such two-monthly cycle of ex-parte measurement, shall be at the risk and cost of the contractor and shall be recovered from his bill. A copy of such ex-parte measurements shall be sent to the contractor for his record.

p) Upon the submission of the documents mentioned above and on completion of signing of BHEL Measurement Book by the authorized signatory of the contractor, the contractor's invoice will become eligible for payment processing.

q) Payment shall be made by BHEL after effecting the recoveries due from the contractor. All recoveries due from the contractor for the month/period shall be effected in full from the corresponding running bills unless specific approval from the competent authorities is obtained to the contrary.

r) The contractor shall, once every month, submit to the Engineer-in-charge with a copy to the Section-In-charge/Department head details of his claims for the work done by him up to and including the previous month which are not covered by his Contract Agreement in any of the following respects;

- a) Deviation from the items and Specifications provided in the contract documents.
- b) Extra Items/New Items of work
- c) Quantities in excess of those provided in the contract schedule.
- d) Items in respect of which rates have not been settled. contractor should, in addition furnish a clear certificate to the effect that the claims submitted by him as aforesaid cover all his claim and that no

further claims shall be raised by him in respect of the work done up to and including the period under report.

2.6.3 Except where any general or detailed description of the work in quantities expressly shows to the contrary, schedule of quantities shall be deemed to have been prepared and measurements shall be taken in accordance with the procedure set forth in the schedule of rates specification notwithstanding any provision in the relevant standard method of measurement or any general or local custom. In the case of items which are not covered by the schedule of rates / specification, measurements shall be taken in accordance with relevant standard method of measurement issued by the Indian Standard Institution or as per standard engineering practice.

2.6.4 All recoveries due from the contractor for the month/period shall be effected in full from the corresponding running bills unless specific approval from the competent authorities is obtained to the contrary.

2.6.5 The Contractor shall bear the expenditure involved if any, in making the measurements and testing of materials to be used/ used in the work. The contractor shall, without extra charges, provide all the assistance with appliances and other things necessary for measurement.

2.6.6 If at any time due to any reason whatsoever, it becomes necessary to re-measure the work done in full or in part, the expenses towards such re measurements shall be borne by the contractor unless such re measurements are warranted solely for reasons not attributable to contractor.

2.6.7 Passing of bills covered by such measurements does not amount to acceptance of the completion of the work measured. Any left out work has to be completed, if pointed out at a later date by BHEL.

2.6.8 Final measurement bill shall be prepared in the final bill format prescribed for the purpose based on the certificate issued by BHEL Engineer that entire works as stipulated in tender specification has been completed in all respects to the entire satisfaction of BHEL. The Contractor shall submit the final bill in line with WAM 7 format as per tender documents with an additional recording of the dispute, if any and shall sign with the following declaration:

I/ We hereby certify that I/We have performed the work as per the terms and conditions of Contract Agreement/Work Order No.....dated.....for which payment is claimed as above and that I/We have no further claim under this agreement/work order* except for the following (nature of claim with details & amount claimed, if any. NIL may be mentioned if there are no further claims).

-
- a).....
- b).....
- c)

It is agreed that the authorized signatory of Contractor shall necessarily record his claims/ dispute in Form WAM 7 only and any claim(s)/ dispute in any other form/ letter shall not be taken cognizance of by BHEL and admissible before any forum. BHEL shall make the payment of undisputed amount within the stipulated time without any unreasonable delay.

All the tools and tackles loaned to him should be returned in satisfactory condition to BHEL. The abstract of final quantities and financial values shall also be entered in the Measurement Books and signed by both parties to the contract. The Final Bill shall be prepared and paid within a reasonable time after completion of work.

2.7 RIGHTS OF BHEL

BHEL reserves the following rights in respect of this contract during the original contract period or its extensions if any, as per the provisions of the contract, without entitling the contractor for any compensation.

2.7.1 To withdraw any portion of work and/or to restrict/alter quantum of work as indicated in the contract during the progress of work and get it done through other agencies to fulfil BHEL's commitment to its customer or the date of completion is advanced due to other emergent reasons/ BHEL's obligation to its customer.

Where the contractor fails to deploy adequate manpower to meet the contractual target, BHEL reserves the right to deploy manpower to meet such shortfall, through any other agency for expediting activities in the interest of the project. Supplied manpower shall be put on job by the contractor. Fulfilling of all obligations towards payments and other statutory compliances related to such manpower shall be the contractor's responsibility. In case of contractor's failure to fulfill his obligations in respect of such manpower, BHEL shall be entitled to take action as provided herein.

2.7.2 BREACH OF CONTRACT, REMEDIES AND TERMINATION

2.7.2.1 The following shall amount to breach of contract:

- i. Non-supply of material/ non-completion of work by the Contractor within scheduled delivery/ completion period as per contract or as extended from time to time.
- ii. The Contractor fails to perform as per the activity schedule and there are sufficient reasons even before expiry of the delivery/ completion period to justify that supplies shall be inordinately delayed beyond contractual delivery/ completion period.
- iii. The Contractor delivers equipment/ material not of the contracted quality.
- iv. The Contractor fails to replace the defective equipment/ material/ component as per maintenance clause.
- v. Withdrawal from or abandonment of the work by the Contractor before completion as per contract.
- vi. Assignment, transfer, subletting of Contract by the Contractor without BHEL's written permission resulting in termination of Contract or part thereof by BHEL.
- vii. Non-compliance to any contractual condition or any other default attributable to Contractor
- viii. Any other reason(s) attributable to Vendor towards failure of performance of contract. In case of breach of contract, BHEL shall have the right to terminate the Purchase Order/ Contract either in whole or in part thereof without any compensation to the Contractor.
- ix. Any of the declarations furnished by the contractor at the time of bidding and/ or entering into the contract for supply are found untruthful and such declarations were of a nature that could have resulted in non-award of contract to the contractor or could expose BHEL and/ or Owner to adverse consequences, financial or otherwise.
- x. Contractor is convicted of any offence involving corrupt business practices, antinational activities or any such offence that compromises the business ethics of BHEL, in violation of the Integrity Pact entered into with BHEL has the potential to harm the overall business of BHEL/ Owner.

Note-Once BHEL considers that a breach of contract has occurred on the part of Contractor, BHEL shall notify the Contractor by way of notice in this regard. Contractor shall be given an opportunity to rectify the reasons causing the breach of contract within a period of 14 days.

In case the contractor fails to remedy the breach, as mentioned in the notice, to the satisfaction of BHEL, BHEL shall have the right to take recourse to any of the remedial actions available to it under the relevant provisions of contract.

2.7.2.2 LD against delay in executed work in case of Termination of Contract:

LD against delay in executed work shall be calculated in line with LD clause no. 2.7.9 of GCC, for the delay attributable to contractor. For limiting the maximum value of LD, contract value shall be taken as Executed Value of work till termination of contract.

Method for calculation of "LD against delay in executed work in case of termination of contract" is given below.

- i. Let the time period from scheduled date of start of work till termination of contract excluding the period of Hold (if any) not attributable to contractor = T1
- ii. Let the value of executed work till the time of termination of contract = X
- iii. Let the Total Executable Value of work for which inputs/fronfs were made available to contractor and were planned for execution till termination of contract = Y
- iv. Delay in executed work attributable to contractor i.e. $T2 = [1 - (X/Y)] \times T1$
- v. LD shall be calculated in line with LD clause (clause 2.7.9) of the Contract for the delay attributable to contractor taking "X" as Contract Value and "T2" as period of delay attributable to contractor.

2.7.2.3 Remedies in case of Breach of Contract.

- i. Wherein the period as stipulated in the notice issued under clause 2.7.2 has expired and Contractor has failed to remedy the breach, BHEL will have the right to terminate the contract on the ground of "Breach of Contract" without any further notice to contractor.
- ii. Upon termination of contract, BHEL shall be entitled to recover an amount equivalent to 10% of the Contract Value for the damages on account of breach of contract committed by the Contractor. This amount shall be recovered by way of encashing the security instruments like performance bank guarantee etc available with BHEL against the said contract. In case the value of the security instruments available is less than 10% of the contract value, the balance amount shall be recovered from other financial remedies (i.e. available bills of the contractor, retention amount, from the money due to the Contractor etc. with BHEL) or the other legal remedies shall be pursued.
- iii. wherever the value of security instruments like performance bank guarantee available with BHEL against the said contract is 10% of the contract value or more, such security instruments to the extent of 10% contract value will be encashed. In case no security instruments are available or the value of the security instruments available is less than 10% of the contract value, the 10% of the contract value or the balance amount, as the case may be, will be recovered in all or any of the following manners:
- iv. In case the amount recovered under sub clause (a) above is not sufficient to fulfil the amount recoverable then; a demand notice to deposit the balance amount within 30 days shall be issued to Contractor.
- v. If Contractor fails to deposit the balance amount within the period as prescribed in demand notice, following action shall be taken for recovery of the balance amount:
 - a. from dues available in the form of Bills payable to defaulted Contractor against the same contract.
 - b. If it is not possible to recover the dues available from the same contract or dues are insufficient to meet the recoverable amount, balance amount shall be recovered from any money(s) payable to Contractor under any contract with other Units of BHEL including recovery from security deposits or any other deposit available in the form of security instruments of any kind against Security deposit or EMD.
 - c. In-case recoveries are not possible with any of the above available options, Legal action shall be initiated for recovery against defaulted Contractor.
- vi. It is an agreed term of contract that this amount shall be a genuine pre-estimate of damages that BHEL would incur in completion of balance contractual obligation of the contract through any other agency and BHEL will not be required to furnish any other evidence to the Contractor for the purpose of estimation of damages.

- vii. In addition to the above, imposition of liquidated damages, debarment, termination, de-scoping, short-closure, etc., shall be applied as per provisions of the contract.

Note:

1) The defaulting contractor shall not be eligible for participation in any of the future enquiries floated by BHEL to complete the balance work. The defaulting contractor shall mean and include:

(a) In case defaulted contractor is the Sole Proprietorship Firm, any Sole Proprietorship Firm owned by same Sole Proprietor.

(b) In case defaulted contractor is The Partnership Firm, any firm comprising of same partners/ some of the same partners (but not including any new partner); or sole proprietorship firm owned by any partner(s) as a sole proprietor.

2.7.4 In case Contractor fails to deploy the resources as per requirement informed by BHEL in writing to expedite the work, BHEL can deploy own/hired/otherwise arranged resources and recover the expenses incurred from the dues payable to contractor. Recoveries shall be actual expenses incurred plus 5% overheads or as defined in TCC.

2.7.5 To terminate the contract or to restrict the quantum of work and pay for the portion of work executed in case BHEL's contract with their customer are terminated for any reason, whatsoever.

2.7.6 Whenever any Claim or Claims for payment of any sum of money(s) arises under this or any other contract against the contractor, BHEL shall be entitled to withhold and also have a lien to retain such sum of money(s) in whole or in part from any money(s) payable to contractor and/or security deposits furnished or deducted in cash from the bills of contractor, (if any) under this contract. In the event of the securities or the amounts payable to Contractor, being insufficient to cover BHEL claims, then BHEL shall be entitled to withhold and have a lien to the extent of such claims from any sum or sums found payable or which at any time thereafter may become payable to the contractor under this or any other contract with BHEL.

- a. Claim or Claims for payment of any sum of money(s) arising from the Contractor under this or any other contract against the contractor, shall mean, the sum of money(s) actually incurred by BHEL in fulfilling the contractual responsibilities of contractor under the contract, to which he has failed to fulfil plus applicable overheads (@ 5%) along with interest as applicable under the Contract on total amount (i.e. money actually incurred plus overheads)
- b. It is an agreed term of the contract that, the sum or sums of money so withheld or retained under the lien by BHEL will be kept withheld or retained as such by BHEL till the claims arising out of this or any other contract are finally adjudicated wither through Arbitration or a Court of competent jurisdiction as the case may be in accordance with the terms of contract. Intimation given by the BHEL Engineer regarding withholding of such money(s) shall be considered as sufficient and relevant date for all purposes. No Interest shall be payable on such sum(s) of money which becomes due or as the case may be adjudged to be due from BHEL to Contractor, whether under contract or otherwise.
- c. Where the contractor is a partnership firm, BHEL shall be entitled to withhold and also have a lien to retain towards such claims in whole or in part, from any other money(s) payable to any partner, whether in his individual capacity or otherwise.
- d. If any money(s) shall, as a result of any claim or application made under the relevant provisions of any Labour Welfare Act and/ or Rules, including but not limited to Contract Labour Regulation & Abolition Act, Minimum Wages Act, Payment of Gratuity Act, Provident Fund Act, Employee State Insurance Act, be directed to be paid by the BHEL, such money shall be deemed to be moneys payable to the BHEL by the Contractor.
- e. Where the Contractor fails to repay to BHEL such moneys along with applicable overheads (@ 5%) and interest, as aforesaid within seven days of being demanded, BHEL shall be entitled to recover the same from Contractor's bills/ Security Deposit or any other money(s) payable to Contractor under this Contract or any other Contract with BHEL.

2.7.7 While every endeavor will be made by BHEL to this end, yet BHEL cannot guarantee uninterrupted work due to conditions beyond its control. The Contractor will not be normally entitled for any compensation/extra payment on this account unless otherwise specified elsewhere in the contract.

2.7.8 BHEL may permit or direct contractor to demobilize and remobilize at a future date as intimated by BHEL in case of following situations for reasons other than Force majeure conditions and not attributable to contractor:

- i) suspension of work(s) at a Project either by BHEL or Customer, or
- ii) where work comes to a complete halt or reaches a stage wherein worthwhile works cannot be executed and there is no possibility of commencement of work for a period of not less than three months.

In such cases, charges towards demobilization and remobilization shall be as decided by BHEL after successful remobilization by contractor at site, and decision of BHEL shall be final and binding on the contractor. After remobilization, all conditions as per contract shall become applicable. In case Contractor does not remobilize with adequate resources or does not start the work within the period as intimated, then BHEL reserves the right to terminate the contract and effect remedies under Clause 2.7.2.2. In case of any conflict, BHEL decision in this regard shall be final and binding on the contractor.

2.7.9 In the unforeseen event of inordinate delay in receipt of materials, drawings, fronts etc. due to which inordinate discontinuity of work is anticipated, BHEL on its own or contractor's request at its discretion may consider to short close the contract in any of the following cases:

- a. The balance works (including but not limited to Trial Operation, PG Test etc.) are minor vis a vis the scope of work envisaged as per the contract.
- b. There has been no significant work in past 6 months OR no significant work is expected in next 6 months (example in Hydro projects or in projects where work has stopped due to reasons beyond the control of BHEL).
- c. The balance works cannot be done within a reasonable period of time as they are dependent on unit shut down or on other facilities of customer or any other such reasons not attributable to the contractor.

At the point of requesting for short closure, contractor shall establish that he has completed all works possible of completion and he is not able to proceed with the balance works due to constraints beyond his control. In such a case, the estimated value of the unexecuted portion of work (or estimated value of services to be provided for carrying out milestone/stage payments like Trial Operation/PG Test etc.) as decided by BHEL, shall however be reduced from the final contract value.

Note: The Contractor shall not be eligible for any compensation on account of Quantity Variation arising out of short-closure of contract as per clause no. 2.79 (b) above.

2.7.9 LIQUIDATED DAMAGES – Refer Clause 46, Section 5 - of Special Conditions of Contract

2.8 RESPONSIBILITIES OF THE CONTRACTOR IN RESPECT OF LOCAL LAWS, EMPLOYMENT OF WORKERS ETC.

The following are the responsibilities of the contractor in respect of observance of local laws, employment of personnel, payment of taxes etc. The subcontractor shall fully indemnify BHEL against any claims of whatsoever nature arising due to the failure of the contractor in discharging any of his responsibilities hereunder:

2.8.1 As far as possible, Unskilled Workers shall be engaged from the local areas in which the work is being executed.

2.8.2 The contractor at all times during the continuance of this contract shall, in all his dealings with local labour for the time being employed on or in connection with the work, have due regard to all local festivals and religious and other customs.

2.8.3 The contractor shall comply with all applicable State and Central Laws, Statutory Rules, Regulations, Notifications etc. such as Payment of Wages Act, Minimum Wages Act, Workmen Compensation Act, Employer's Liability Act, Industrial Disputes Act, Employers Provident Fund and Miscellaneous Provisions Act, 1952, Employees State Insurance Scheme, Contract Labour (Regulation and Abolition) Act, 1970, Payment of Bonus & Gratuity Act, Building and Other Construction Workers (Regulation of Employment and Conditions of Service) Act 1996, The Building and Other Construction Workers' Welfare Cess Act 1996 and other Acts, Rules, and Regulations for labour/workers as applicable and as may be enacted by the State Government and Central Govt. during the tenure of the Contract and having force or jurisdiction at Site. The Contractor shall also comply with provisions of and give all such notices to the local Governing Body, Police and other relevant Authorities as may be required by the Law. The Contractor shall without any fail maintain all the registers/records in proper formats as per all the Acts, Rules and Regulations mentioned in this clause 2.8.3.

2.8.4 The Contractor shall obtain independent License under the Contract Labour (Regulations and Abolition) Act, 1970 for engaging contract labour as required from the concerned Authorities based on the certificate (Form- V or as applicable) issued by the Principal Employer/Customer.

2.8.5 The contractor shall pay and bear all taxes, fees, license charges, Cess, duties, deposits, tolls, royalties, commission or other charges which may be leviable on account of his operations in executing the contract.

2.8.6 While BHEL would pay the inspection fees and Registration fees of Boiler/Electrical Inspectorate, all other arrangements for site visits periodically by the Inspectorate to site, Inspection certificate etc. will have to be made by contractor. However, BHEL will not make any payment to the Inspectorate in connection with contractor's Welders/Electricians qualification tests etc.

2.8.7 Contractor shall be responsible for provision of Health and Sanitary arrangements (more particularly described in Contract Labour Regulation & Abolition Act), Safety precautions etc. as may be required for safe and satisfactory execution of contract.

2.8.8 The contractor shall be responsible for proper accommodation including adequate medical facilities for personnel employed by him.

2.8.9 The contractor shall be responsible for the proper behavior and observance of all regulations by the staff employed by him.

2.8.10 The contractor shall ensure that no damage is caused to any person/property of other parties working at site/company" premises. If any such damage is caused, it is responsibility of the contractor to make good the losses or compensate for the same.

2.8.11 All the properties/equipments/components of BHEL/their Client/Customer loaned with or without deposit to the contractor in connection with the contract shall remain properties of BHEL/their Client/Customer.

2.8.12 The contractor shall use such properties for the purpose of execution of this contract. All such properties/equipments/components shall be deemed to be in good condition when received by the contractor unless he notifies within 48 hours to the contrary. The contractor shall return them in good condition as and when required by BHEL/their Client. In case of non-return, loss, damage, repairs etc. the cost thereof as may be fixed by BHEL Engineer will be recovered from the contractor.

2.8.13 In case the contractor is required to undertake any work outside the scope of this contract, the rates payable shall be those mutually agreed upon if the item rates are not mentioned in existing contract.

2.8.14 Any delay in completion of works/or non-achievement of periodical targets/or non-execution of contract due to the reasons attributable to the contractor, the same may have to be compensated by the contractor either by increasing manpower and resources or by working extra hours and/or by working more than one shift. All these are to be carried out by the contractor at no extra cost.

2.8.15 The contractor shall arrange, coordinate his work in such a manner as to cause no hindrance to other agencies working in the same premises.

2.8.16 All safety rules and codes applied by the Customer /BHEL at site shall be observed by the contractor without exception. The contractor shall be responsible for the safety of the equipment/material and works to be performed by him and shall maintain all light, fencing guards, slings etc. or other protection necessary for the purpose. Contractor shall also take such additional precautions as may be indicated from time to time by the Engineer with a view to prevent pilferage, accidents, fire hazards. Due precautions shall be taken against fire hazards and atmospheric conditions. Suitable number of Clerical staff, watch and ward, store keepers to take care of equipment/materials and construction tools and tackles shall be posted at site by the contractor till the completion of work under this contract.

The contractor shall arrange for such safety devices as are necessary for such type of work and carry out the requisite site tests of handling equipment, lifting tools, tackles etc. as per prescribed standards and practices.

Contractor has to ensure the implementation of Health, Safety and Environment (HSE) requirements as per directions given by BHEL/Customer. The contractor has to assist in HSE audit by BHEL/Customer and submit compliance Report. The contractor has to generate and submit record/reports as per HSE plan/activities as per instruction of BHEL/Customer.

2.8.17 The contractor shall be directly responsible for payment of wages to his workmen/labours before the expiry of seven days from the last day of wage period and to ensure disbursement of wages in the presence of the representative from BHEL A pay roll sheet giving all the payments given to the workers and duly signed by the contractor's representative should be furnished to BHEL site for the purpose of maintaining the records for compliance,

2.8.18 In case of any class of work for which there is no such specification as laid down in the contract, such work shall be carried out in accordance with the instructions and requirements of the Engineer.

2.8.19 Also, no idle charges will be admissible in the event of any stoppage caused in the work resulting in contractor's labour and Tools & Plants being rendered idle due to any reason at any time.

2.8.20 The contractor shall take all reasonable care to protect the materials and work till such time the plant/equipment has been taken over by BHEL or their Customer whichever is earlier.

2.8.21 The contractor shall not stop the work or abandon the site for whatsoever reason of dispute, excepting force majeure conditions. All such problems/disputes shall be separately discussed and settled without affecting the progress of work. Such stoppage or abandonment shall be treated as breach of contract and dealt with accordingly.

2.8.22 The contractor shall keep the area of work clean and shall remove the debris etc. while executing day-to-day work. Upon completion of work, the contractor shall remove from the vicinity of work, all scrap, packing materials, rubbish, unused and other materials and deposit them in places specified by the Engineer. The contractor will also demolish all the hutments, sheds, offices etc. constructed and used by him and shall clean the debris. In the event of his failure to do so, the same will be arranged to be done by the Engineer and the expenses recovered from the contractor.

2.8.23 The contractor shall execute the work in the most substantial and workman like manner in the stipulated time. Accuracy of work and timely execution shall be the essence of this contract. The contractor shall be responsible to ensure that the quality, assembly and workmanship conform to the dimensions and clearance given in the drawings and/ or as per the instructions of the Engineer.

2.8.24 The Contractor to note that some of BHEL's T&Ps/MMDs may not be insured. The Contractor will take necessary precautions and due care to protect the same while in his custody from any damage/ loss till the same is handed over back to BHEL. In case the damage / loss is caused due to carelessness/negligence on the part of the contractor, the Contractor is liable to get them repair/ replaced immediately and in case of his failure to do so within a reasonable time, BHEL shall lto recover the loss from the contractor.

2.8.25 For all works having contract value of Rs. 5,00,000/- or above, BHEL shall recover the amount of compensation paid to victim(s) by BHEL towards loss of life/ permanent disability due to an accident which is attributable to the negligence of contractor, agency or firm or any of its employees as detailed below.

- a) Victim: Any person who suffers permanent disablement or dies in an accident as defined below.
- b) Accident: Any death or permanent disability resulting solely and directly from any unintended and unforeseen injurious occurrence caused during the manufacturing/ operation and works incidental thereto at BHEL factories/ offices and precincts thereof, project execution, erection and commissioning, services, repairs and maintenance, trouble shooting, serving, overhaul, renovation and retrofitting, trial operation, performance guarantee testing undertaken by the company or during any works/ during working at BHEL Units/ Offices/ townships and premises/ Project Sites.
- c) Compensation in respect of each of the victims:
 - i) In the event of death or permanent disability resulting from Loss of both limbs: Rs. 10,00,000/- (Rs. Ten Lakh).
 - ii) In the event of other permanent disability: Rs.7,00,000/- (Rs. Seven Lakh)
- d) Permanent Disablement: A disablement that is classified as a permanent total disablement under the proviso to section 2 (I) of the Employee's Compensation Act, 1923.

2.8.26 Contractor shall be fully responsible for the safety of their T&Ps and other material mobilized at site. In any case, BHEL shall not be liable for any damage/loss/misuse of any item(s) belong to the contractor.

2.8.27 Contractor will ensure that the work/job is executed through his/her employees on and under no circumstances, the contractor shall subcontract the job without prior written permission from BHEL.

2.8.28 The liability for any compensation on account of injury sustained by an employee of the contractor will be exclusively that of the contractor.

2.9 EXECUTION PLAN, PROGRESS MONITORING, MONTHLY REVIEW AND PERFORMANCE EVALUATION

2.9.1 A tentative plan/ programme for completion of the contractual scope of work as per the time schedule given in the contract shall be made jointly by BHEL and Contractor, before commencement of work. The above programme shall be supported by month wise deployment of resources viz Manpower, T&P, Consumables, etc. Progress will be reviewed periodically (Daily/Weekly/Monthly) vis-à-vis this jointly agreed programme.

Subsequently, every month, quarterly rolling plan will be made by BHEL based on budgeted targets.

Monthly plan in F-14 format shall be drawn from this Quarterly plan. Monthly plan shall necessarily include activities required for achieving targets/ milestones unless inputs/ fronts are not available. While planning and arriving on asking rate all available inputs shall be taken into consideration.

Vendor will be required to execute the monthly plan in that month in addition to make full efforts to minimize the cumulative shortfall attributable to him up to the month.

BHEL may require monthly work plan up to one and half times of average monthly value and demand matching manpower.

Where, Average Monthly Value = Total Contract Value (as per latest revision) / Period of Contract (in months)

Provided, this requirement is reflected in the rolling quarterly plan two months in advance. If the Contractor refuses to sign the F-14 format, those F-14 formats requiring Contractor's signature shall be deemed to have been signed and accepted by the Contractor, if communicated to the Contractor through email or any other mode as stated in clause

2.3.1.

The Contractor shall submit periodical progress reports (Daily/Weekly/Monthly) and other reports/information including manpower, consumables, T&P mobilization etc. as desired by BHEL.

2.9.2 Monthly progress review between BHEL and Contractor shall be based on the agreed programme as above, availability of inputs/fronts etc., and constraints if any, as per prescribed formats (i.e. Form F-14). Manpower, T&P and consumable reports as per prescribed formats shall be submitted by contractor every month. Release of RA Bills shall be contingent upon certification by BHEL Site Engineer of the availability of the above prescribed formats duly filled in and signed.

2.9.3 The burden of proof that the causes leading to any shortfall is not due to any reasons attributable to the contractor is on the contractor himself. The monthly progress review shall record shortfalls attributable to (i) Contractor, (ii) Force Majeure Conditions, and (iii) BHEL

2.9.4 Performance of the Contractor shall be assessed as per prescribed formats and shall form the basis for 'Assessment of Capacity of Bidder' for Tenders where the Contractor is a bidder. BHEL reserves the right to revise the evaluation formats during the course of execution of the works.

2.10 TIME OF COMPLETION

2.10.1 Time is the essence of the contract and is specified in the tender document or in each individual Work Order. As soon as possible after the contract is let or any substantial Work Order is placed and before work under is to begin, the Engineer-in-charge and the Contractor shall agree to a Time and Progress Chart. The Chart shall be prepared in direct relation to the time stated in the Tender Documents or the Work Order for the completion of the individual items thereof and/the contract or order as a whole. It shall indicate the forecast of the dates for the commencement of the various trade processes or sequences of the work, and shall be amended as may be required by agreement between the Engineer-in-charge and the Contractor within the limitation of the time imposed in the Tender Documents or Order

2.10.2 In the absence of any specific Time and Progress chart to be agreed to between the Contractor and the Engineer-in-charge, the contractor shall ensure and maintain uninterrupted progress of the work such that the entire work shall be completed within the time imposed in the Tender Documents or Order and that the proportion of work completed upto any time in relation to the entire work to be under the Contractor Order shall not be less than the proportion that the time elapsed bears to the total time of completion provided in the Tender Documents or Order.

2.10.3 The contractor shall suspend the execution of the work, or any part or parts thereof whenever called upon in writing by the Engineer-in-charge to do so, and shall not resume work thereon until so directed in writing by the Engineer -in-charge. The Contractor will be allowed an extension of time for completion not less than the period of suspension. However, no other claim in this respect for compensation or otherwise however will be admitted. Provided the cause for suspension is not attributable to any default on the contractor's part to proceed with or fulfill the contractual obligations. This may also be extended to allow for alteration of work made by the deviation order

2.10.4 The works shall be completed to the entire satisfaction of the Engineer-in-charge and in accordance with the Contractor's forecast of Time and Progress where operative, and all unused stores and materials, tools, plants, equipments, temporary buildings and things shall be removed and the site and work cleared of rubbish and all waste materials and delivered up clean and tidy to the satisfaction of the Engineer-in-charge at the Contractor's expense and/or before the Scheduled date of completion.

2.10.5 The B.H.E.L shall have power to take over from the Contractor from time to time each sections of the work as have been completed to the satisfaction of the Engineer-in-charge.

2.10.6 In case the Contractor fails to remove any of his properties, assets or fails to clear the rubbish and waste materials within 30 days of the completion of the contract, it is lawful for the contractee, that is BHEL to take such action as it deems fit to clear dispose of such properties, assets or such waste materials and charge the contractor any expenses incurred thereon.

2.10.7 The Engineer-in-charge shall certify to the Contractor the date on which the work is completed and the state thereof.

2.10.8 The Engineer-in-charge shall also certify to the Contractor the state of the work at the end of maintenance period, where applicable.

2.11 EXTENSION OF TIME FOR COMPLETION

2.11.1 *The Scheduled Completion Date will not be extended due to inclement weather conditions which are normal to the general locality of the work site as evidenced by the 10-year average climatic data recorded by the local or national weather bureau or stations. Time for performance of this Agreement includes an allowance for calendar days which, according to historical data, may not be suitable for construction work. It is the Contractor's responsibility to protect the work site from inclement weather to avoid delays, rework, or inefficient Work.*

If the completion of work as detailed in the scope of work gets delayed beyond the contract period, the contractor shall request for an extension of the contract and BHEL at its discretion may extend the Contract.

If the completion of work gets delayed for reasons **not attributable to the contractor**, the contract period may be suitably extended at the sole discretion of BHEL only under the following circumstances.

- i) by reason of abnormally bad weather (abnormally bad weather means conditions that exceed the 10-year average minimum or maximum condition in temperature, rain, snow, hail, sleet, wind, etc., as established by the Weather Bureau for the area where the project is located
OR
- ii) by reason of serious loss or damage by fire, **OR**
- iii) by reason of Civil commotion, local combination of workmen strikes or lockout, affecting any of the trades employed on the work **OR**.
- iv) by delay on the part of the agency or tradesman engaged by BHEL in executing work **not forming part of this contract**, **OR**
- v) by reason of any other cause which in the absolute discretion of the Engineer-in-charge is (when he is the Accepting Officer of the Contract) beyond the Contractor's reasonable control, then in such case the Accepting Officer on the recommendation of the Engineer-in-charge (or higher authority) may make fair and reasonable extension in the completion dates of the individual items of work or the contract as a whole. Such extension which will be communicated to the Contractor by the Engineer-in-charge in writing shall be final and binding on the Contractor. No other claim in this respect for compensation or other-wise howsoever is admissible. Upon the happening of any such event causing delay, the Contractor shall immediately give notice thereof in writing to the Engineer-in-charge but shall nevertheless use constantly his best endeavour to prevent or make good the delay and shall do all that may reasonably be required to the satisfaction of the Engineer-in-charge to proceed with the work.

2.11.2 Based on the F-14 formats, the works balance at the end of original contract period less the backlog attributable to the contractor shall be quantified, and the number of months of 'Time extension' required

for completion of the same shall be jointly worked out. Within this period of 'Time extension', the contractor is bound to complete the portion of backlog attributable to the contractor. Any further 'Time extension' or 'Time extensions' at the end of the previous extension shall be worked out similarly.

2.11.3 However, if any 'Time extension' is granted to the contractor to facilitate continuation of work and completion of contract, due to backlog attributable to the contractor alone, then it shall be without prejudice to the rights of BHEL to impose penalty/LD for the delays attributable to the contractor, in addition to any other actions BHEL may wish to take under Clause 2.7.2 of GCC i.e. Breach of Contract, Remedies and Termination.

2.11.4 Planning, progress monitoring, monthly review and performance monitoring shall be carried out as per clause 2.9 of GCC.

2.12 INSURANCE

2.12.1 BHEL/their customer shall arrange for insuring the materials/properties of BHEL/customer covering the risks during transit, storage, erection and commissioning.

2.12.2 It is the sole responsibility of the contractor to insure his materials, equipment, workmen etc. against accidents and injury while at work and to pay compensation, if any, to workmen as per Workmen's compensation Act. The work will be carried out in a protected area and all the rules and regulations of the client /BHEL in the area of project which are in force from time to time will have to be followed by the contractor.

2.12.3 If due to negligence and or non-observation of safety and other precautions by the contractors, any accident/injury occurs to the property / manpower belong to third party, the contractor shall have to pay necessary compensation and other expense, if so decided by the appropriate authorities.

2.12.4 The contractor will take necessary precautions and due care to protect the material, while in his custody from any damage/ loss due to theft or otherwise till the same is taken over by BHEL or customer. For lodging / processing of insurance claim, the contractor will submit necessary documents. BHEL will recover the loss including the deductible franchise from the contractor, in case the damage / loss is due to carelessness / negligence on the part of the contractor. In case of any theft of material under contractor's custody, matter shall be reported to Police by the contractor immediately and copy of FIR and subsequently police investigation report shall be submitted to BHEL for taking up with insurance. However, this will not relieve the contractor of his contractual obligation for the material in his custody.

2.13 STRIKES & LOCKOUT

2.13.1 The contractor will be fully responsible for all disputes and other issues connected with his labour. In the event of the contractor's labour resorting to strike or the Contractor resorting to lockout and if the strike or lockout declared is not settled within a period of one month, it may be considered as 'Breach of Contract' under Clause 2.7 and the remedies under Clause 2.7.2.2 may be executed, at the discretion of BHEL.

2.13.2 For all purposes whatsoever, the employees of the contractor shall not be deemed to be in the employment of BHEL.

2.14 FORCE MAJEURE

2.14.1 "Force Majeure" shall mean circumstance which is:

- a. beyond control of either of the parties to contract,
- b. either of the parties could not reasonably have provided against the event before entering into the contract,
- c. having arisen, either of the parties could not reasonably have avoided or overcome, and d) is not substantially attributable to either of the parties

And

Prevents the performance of the contract,

Such circumstances include but shall not be limited to:

- i) War, hostilities, invasion, act of foreign enemies.
- ii) Rebellion, terrorism, revolution, insurrection, military or usurped power, or civil war.
- iii) Riot, commotion or disorder by persons other than the contractor's personnel and other employees of the contractor and sub-contractors.
- iv) Strike or lockout not solely involving the contractor's personnel and other employees of the contractor and sub-contractors.
- v) Encountering munitions of war, explosive materials, ionizing radiation or contamination by radio-activity, except as may be attributable to the contractor's use of such munitions, explosives, radiation or radio- activity.
- vi) Natural catastrophes such as earthquake, tsunami, volcanic activity, hurricane or typhoon, flood, fire, cyclones etc.
- vii) Epidemic, pandemic etc.

2.14.2 The following events are explicitly excluded from Force Majeure and are solely the responsibilities of the non-performing party: a) any strike, work-to-rule action, go-slow or similar labour difficulty (b) late delivery of equipment or material (unless caused by Force Majeure event) and (c) economic hardship.

2.14.3 If either party is prevented, hindered or delayed from or in performing any of its obligations under the Contract by an event of Force Majeure, then it shall notify the other in writing of the occurrence of such event and the circumstances thereof within 15 (fifteen) days after the occurrence of such event.

2.14.4 The party who has given such notice shall be excused from the performance or punctual performance of its obligations under the Contract for so long as the relevant event of Force Majeure continues and to the extent that such party's performance is prevented, hindered or delayed. The Time for Completion shall be extended by a period of time equal to period of delay caused due to such Force Majeure event.

2.14.5 Delay or non-performance by either party hereto caused by the occurrence of any event of Force Majeure shall not

- a. Constitute a default or breach of the Contract.
- b. Give rise to any claim for damages or additional cost expense occasioned thereby, if and to the extent that such delay or non-performance is caused by the occurrence of an event of Force Majeure.

2.14.6 BHEL at its discretion may consider short closure of contract after 1 year of imposition of Force Majeure in line with extant guidelines. In any case, Contractor cannot consider deemed short-closure after 1 year of imposition of Force Majeure

2.15 Settlement of Dispute

If any dispute or difference of any kind whatsoever shall arise between BHEL and the Contractor, arising out of the contract for the performance of the work whether during the progress of contract termination, abandonment or breach of the contract, it shall in the first place referred to Designated Engineer for amicable resolution by the parties. Designated Engineer (to be nominated by BHEL for settlement of disputes arising out of the contract) who within 60 days after being requested shall give written notice of his decision to the contractor. Save as hereinafter provided, such decision in respect of every matter so

referred shall forthwith be given effect to by the Contractor who shall proceed with the work with all due diligence, whether he or BHEL desires to resolve the dispute as hereinafter provided or not. If after the Designated Engineer has given written notice of this decision to the party and no intention to pursue the dispute has been communicated to him by the affected party within 30 days from the receipt of such notice, the said decision shall become final and binding on the parties. In the event the Contractor being dissatisfied with any such decision or if amicable settlement cannot be reached then all such disputed issues shall be resolved through conciliation in terms of the BHEL Conciliation Scheme 2018 as per Clause 2.15.1

2.15.1 Conciliation:

Any dispute, difference or controversy of whatever nature howsoever arising under or out of or in relation to this Agreement (including its interpretation) between the Parties, and so notified in writing by either Party to the other Party (the "Dispute") shall, in the first instance, be attempted to be resolved amicably in accordance with the conciliation procedure as per BHEL Conciliation Scheme 2018. The proceedings of Conciliation shall broadly be governed by Part-III of the Arbitration and Conciliation Act 1996 or any statutory modification thereof and as provided in - "Procedure for conduct of conciliation proceedings" (as available in www.bhel.com)).

Note: Ministry of Finance has issued OM reference No. 1/2/24 dated 03.06.2024 regarding "Guidelines for Arbitration and Mediation in Contracts of Domestic Public Procurement. In the said OM it has been recommended that Government departments/ Entities/agencies are to encourage mediation under the Mediation Act. 2023 . The said Act has not yet been notified by the Government. Therefore, the clause "Settlement of Disputes" shall be modified accordingly as and when the Mediation Act 2023 gets notified.

2.15.2 ARBITRATION

2.15.2.1 Except as provided elsewhere in this Contract, in case Parties are unable to reach amicable settlement (whether by Conciliation to be conducted as provided in Clause 14.1 herein above or otherwise) in respect of any dispute or difference; arising out of the formation, breach, termination, validity or execution of the Contract; or, the respective rights and liabilities of the Parties; or, in relation to interpretation of any provision of the Contract; or, in any manner touching upon the Contract (hereinafter referred to as the 'Dispute'), then, either Party may, refer the disputes to Madras High Court, Arbitration Centre (MHCAC) and such dispute to be adjudicated by Sole Arbitrator appointed in accordance with the Rules of said Arbitral Institution.

2.15.2.2 A party willing to commence arbitration proceeding shall invoke Arbitration Clause by giving notice to the other party in terms of section 21 of the Arbitration & Conciliation Act, 1996 (hereinafter referred to as the 'Notice') before referring the matter to arbitral institution. The Notice shall be addressed to the Head of the Unit, BHEL, executing the Contract and shall contain the particulars of all claims to be referred to arbitration with sufficient detail and shall also indicate the monetary amount of such claim including interest, if any.

2.15.2.3 After expiry of 30 days from the date of receipt of aforesaid notice, the party invoking the Arbitration shall submit that dispute to the Arbitral Institution- Madras High Court, Arbitration Centre (MHCAC)- and that dispute shall be adjudicated in accordance with their respective Arbitration Rules. The matter shall be adjudicated by a Sole Arbitrator who shall necessarily be a Retd Judge having considerable experience in commercial matters to be appointed/nominated by the respective institution. The cost/expenses pertaining to the said Arbitration shall also be governed in accordance with the Rules of the respective Arbitral Institution. The decision of the party invoking the Arbitration for reference of dispute to Madras High Court, Arbitration Centre (MHCAC)- for adjudication of that dispute shall be final and binding on both the parties and shall not be subject to any change thereafter. The institution once selected at the time of invocation of dispute shall remain unchanged.

2.15.2.4 The fee and expenses shall be borne by the parties as per the Arbitral Institutional rules.

2.15.2.5 The Arbitration proceedings shall be in English language and the seat of Arbitration shall be Trichy.

2.15.2.6 Subject to the above, the provisions of Arbitration & Conciliation Act 1996 and any amendment thereof shall be applicable. All matters relating to this Contract and arising out of invocation of Arbitration clause are subject to the exclusive jurisdiction of the Court(s) situated at Trichy.

2.15.2.7 Notwithstanding any reference to the Designated Engineer or Conciliation or Arbitration herein, the parties shall continue to perform their respective obligations under the Contract unless they otherwise agree. Settlement of Dispute clause cannot be invoked by the Contractor, if the Contract has been mutually closed or 'No Demand Certificate' has been furnished by the Contractor or any Settlement Agreement has been signed between the Employer and the Contractor.

2.15.2.8 It is agreed that Mechanism of resolution of disputes through arbitration shall be available only in the cases where the value of the dispute is less than Rs. 10 Crores.

2.15.2.9 In case the disputed amount Claim, Counter claim including interest is Rs. 10 crores and above, the parties shall be within their rights to take recourse to remedies other than Arbitration, as may be available to them under the applicable laws after prior intimation to the other party. Subject to the aforesaid conditions, provisions of the Arbitration and Conciliation Act, 1996 and any statutory modifications or re-enactment thereof as amended from time to time, shall apply to the arbitration proceedings under this clause.

2.15.2.10 In case, multiple arbitrations are invoked (whether sub-judice or arbitral award passed) by any party to under this contract, then the cumulative value of claims (including interest claimed or awarded) in all such arbitrations shall be taken in account while arriving at the total claim in dispute for the subject contract for the purpose of clause 14.2.9. Disputes having cumulative value of less than 10 crores shall be resolved through arbitration and any additional dispute shall be adjudicated by the court of competent jurisdiction.

2.15.3 In case of Contract with Public Sector Enterprise (PSE) or a Government Department, the following shall be applicable:

In the event of any dispute or difference relating to the interpretation and application of the provisions of commercial contract(s) between Central Public Sector Enterprises (CPSEs)/ Port Trusts inter se and also between CPSEs and Government Departments/Organizations (excluding disputes concerning Railways, Income Tax, Customs & Excise Departments), such dispute or difference shall be taken up by either party for resolution through AMRCD (Administrative Mechanism for Resolution

2.15.4 NO INTEREST PAYABLE TO CONTRACTOR

Notwithstanding anything to the contrary contained in any other document comprising in the Contract, no interest shall be payable by BHEL to Contractor on any moneys or balances including but not limited to the Security Deposit, EMD, Retention Money, RA Bills or the Final Bill, or any amount withheld and/or appropriated by BHEL. etc., which becomes or as the case may be, is adjudged to be due from BHEL to Contractor whether under the Contract or otherwise.

2.16 RETENTION AMOUNT

2.16.1 Retention Amount shall be 5% of contract value and shall be furnished before the first RA Bill becomes due for payment. In case of increase in contract value, additional 5% of differential amount shall be submitted by Contractor before payment of next RA Bill due.

The Retention amount of 5% of the contract value may be accepted in the following forms: -

1. Cash (as permissible under the extant Income Tax Act).
2. Local cheques of Scheduled Banks (subject to realization)/ Pay Order/ Demand Draft/ Electronic Fund Transfer in favour of BHEL.
3. Securities available from Indian Post offices such as National Savings Certificates, Kisan Vikas Patras etc. (held in the name of Contractor furnishing the security and duly endorsed/ hypothecated / pledged, as applicable, in favour of BHEL).

4. Bank Guarantee from Scheduled Banks/ Public Financial Institutions as defined in the Companies Act and in line with clause 1.12 of GCC. The Bank Guarantee format for Retention Amount shall be in the prescribed formats. The validity of BG shall be initially for the contract period & shall be extended up to acceptance of final bill if the final bill is not settled during the contract period.
5. Insurance Surety Bonds

Alternatively, on successful bidder's request, the Retention Amount can also be recovered at the rate of 10% of the gross amount, progressively, from each of the running bills of the contractor till the total amount of the required retention amount is collected. In case, contractor opts cash deduction from RA bills in the beginning & subsequently submit 5% of the Contract Value as Retention amount in any form as mentioned above, then refund of deducted retention amount may be permitted to contractor.

Note: BHEL will not be liable or responsible in any manner for the collection of interest or renewal of the documents or in any other matter connected therewith.

2.16.2 Refund of Retention Amount shall be as follows:

100% of Retention Amount/ BG shall be released along with Final Bill after deduction all expenses/ other amounts due to BHEL under the contract/ other contracts entered into with them (contractor) by BHEL provided that.

2.16.3 In case of short closure of contract

- a) due to the premature termination of BHEL contract with customer for any reason whatsoever;
- b) upon the request of contractor for any reason, prior to completion and acceptance of Trial Run by the end customer

The retention money equivalent to the 5% of contract value executed by the contractor shall not be refundable and the contractor shall be discharged of his liabilities as provided in the clause 2.16.1

2.17 PAYMENTS

Payments to Contractors are made in any one of the following forms: -

2.17.1 Running Account Bills (RA Bills)

1.8 These are for interim payments when the contracts are in progress. The bills for such interim payments are to be prepared by Contractor in prescribed formats (RA Bill forms).

1.9 Payments shall be made according to the extent of work done as per measurements taken up to the end of the calendar month and in line with the terms of payments described in the Tender documents.

1.10 Recoveries on account of electricity, water, statutory deductions etc. are made as per terms of contract.

1.11 Full rates for the work done shall be allowed only if the quantum of work has been done as per the specifications stipulated in the contract. If the work is not executed as per the stipulated specifications, BHEL may ask the contractor to redo the work according to the required specifications, without any extra cost. However, where this is not considered necessary 'OR' where the part work is done due to factors like non-availability of material to be supplied by BHEL 'OR' non availability of fronts 'OR' non availability of drawings, fraction payment against full rate, as is considered reasonable, may be allowed with due regard for the work remaining to be done. BHEL decision in this regard will be final and binding on the contractor.

1.12 In order to facilitate part payment, BHEL at its discretion may further split the contracted rates/percentages to suit site conditions, cash flow requirements according to the progress of work, subject to following:

- a) Provided no 'part' payment is recommended till 25% of work in the item rate is executed.
- b) Payment of item rate to be made in not more than three instalments, last stage payment to be not lower than 20% of the item rate.

2.17.2 Final Bill

Final Bill' is used for final payment on closing of Running Account for works or for single payment after completion of works. 'Final Bill' shall be submitted as per prescribed format after completion of works as per scope and upon material reconciliation, along with the following:

Clearance certificates **where ever applicable** viz. various Statutory Authorities like Labour department, PF Authorities, Commercial Tax Department etc.

BHEL shall settle the final bills after deducting all liabilities of Contractor to BHEL

2.18 PERFORMANCE GUARANTEE FOR WORKMANSHIP

2.18.1 Even though the work will be carried out under the supervision of BHEL Engineers the Contractor will be responsible for the quality of the workmanship and shall guarantee the work done for a period of 6 months from the date of commencement of guarantee period as defined in Technical Conditions of Contract, for good workmanship and shall rectify free of cost all defects due to faulty erection detected during the guarantee period. In the event of the Contractor failing to repair the defective works within the time specified by the Engineer, BHEL may proceed to undertake the repairs of such defective works by itself, without prejudice to any other rights and recover the cost incurred for the same along with 5% overheads from the Security Deposit

2.19 CLOSING OF CONTRACTS

The Contract shall be considered completed and closed upon completion of contractual obligations and settlement of Final Bill or completion of Guarantee period whichever is later. Upon closing of Contract, BHEL shall issue a performance/ experience certificate as per standard format, based on specific request of Contractor as per extant BHEL guidelines through the online portal available at <https://siddhi.bhel.in> only.

2.20 SUSPENSION OF BUSINESS DEALINGS

BHEL reserves the right to take action against Contractors who either fail to perform or Tenderers/Contractor who indulge in malpractices, by suspending business dealings with them in line with BHEL guidelines issued from time to time.

The offers of the bidders who are under suspension as also the offers of the bidders, who engage the services of the banned firms / principal / agents, shall be rejected. The list of banned firms is available on BHEL web site www.bhel.com.

If any bidder / supplier / contractor during pre-tendering / tendering / post tendering / award / execution / post-execution stage indulges in any act, including but not limited to, mal-practices, cheating, bribery, fraud or and other misconduct or formation of cartel so as to influence the bidding process or influence the price or tampers the tendering process or acts or omits in any manner which tantamount to an offence punishable under any provision of the Indian Penal Code, 1860 or any other law in force in India, or does anything which is actionable under the Guidelines for Suspension of Business dealings, action may be taken against such bidder / supplier / contractor as per extant guidelines of the company available on www.bhel.com and / or under applicable legal provisions. Guidelines for suspension of business dealings is available in the webpage: http://www.bhel.com/vender_registration/vender.php

2.21 LIMITATION ON LIABILITY:

Notwithstanding anything to the contrary in this Contract or LOA or Work Order or any other mutually agreed document between the parties, the maximum liability, for damages, of the contractor, its servants or agents, shall under no circumstances exceed an amount equal to the Price of the Contract or the Work Order. The Contractor shall not in any case be liable for loss of profit or special, punitive, exemplary, indirect or consequential losses whatsoever. This shall not be applicable on the recoveries made by Customer from BHEL on account of Contractor, any other type of recoveries for workmanship, material, T&P etc. due from the contractor.

2.22 Cartel Formation

The Bidder declares that they will not enter into any illegal or undisclosed agreement or understanding, whether formal or informal with other Bidder(s). This applies in particular to prices, specifications, certifications, subsidiary contracts, submission or non-submission of bids or any other actions to restrict competitiveness or to introduce cartelization in the bidding process. In case, the Bidder is found having indulged in above activities, suitable action shall be taken by BHEL as per extant policies/ guidelines

2.23 Fraud Prevention Policy

Bidder along with its associate /collaborators /sub-contractors /sub-vendors / consultants/ service providers shall strictly adhere to BHEL Fraud Prevention Policy displayed on BHEL website <http://www.bhel.com> and shall immediately bring to the notice of BHEL Management about any fraud or suspected fraud as soon as it comes to their notice.

2.24 Order of Precedence

In the event of any ambiguity or conflict between the contract Documents, the order of precedence shall be in the order below:

- a. Contract agreement with its Amendments/Clarifications/Corrigenda/Errata etc. issued in respect of the tender documents by BHEL
- b. Notice Inviting Tender (NIT)
- c. Price Bid
- d. Technical Conditions of Contract (TCC)
- e. Special Conditions of Contract (SCC)
- f. General Conditions of Contract (GCC)
- g. Forms and Procedures

2.25 OTHER ISSUES

2.22.1 Value of Non judicial Stamp Paper for Bank Guarantees and for Contract Agreement shall be not less than Rs 100/- unless otherwise required under relevant statutes.

2.22.2 In case of any conflict between the General Conditions of Contract and Special Conditions of Contract, provisions contained in the Special Conditions of Contract shall prevail.

2.22.3 Unless otherwise specified in NIT, offers from consortium/ JVs shall not be considered.

FORMAT F-14 (Rev 00) MONTHLY PLAN & REVIEW WITH CONTRACTOR

Name of the Project					Contract No									
Name of the Work					Name of the Contractor									
Part - A - PLAN / REVIEW OF WORKFOR THE MONTH OF -----										Date of Plan / Review				
Sl No	Description of Work	UOM	Rate / Unit	Planned		Cumulative Shortfall		Achieved		Shortfall Attributable to BHEL wrt to Plan		Cumulative Shortfall		Remarks (Reasons for Shortfall Attributable to Contractor Supporting Documents to be kept as record)
				Qty Planned for the Month as per Part C of Last Month	Attributable to Contractor upto Last Month	Attributable to Contractor upto Last Month	Attributable to Contractor upto Last Month	Phy	Financial	Phy	Financial	Phy	Financial	
(a)	(b)	(c)	(d)	A		B		C		D		E = A+B-C-D		
				Phy	Financial	Phy	Financial	Phy	Financial	Phy	Financial	Phy	Financial	
	Value of Other Items not mentioned above but planned to be executed in this Month													
	Total				Σ A		Σ B		Σ C		Σ D		Σ E	

BHEL

(Signature with Seal & Date)

Contractor

(Signature with Seal & Date)

CONTRACTOR SEAL & SIGN

Page 157 of 177 ACCEPTING OFFICER

PART- A: Contd.....

Note 1: In addition to the work planned as per Col. 'A', Contractor shall also make full efforts to minimize the 'Cumulative shortfall attributable to contractor upto the month' as mentioned in Col. 'B' by enhancing its resources, so as to achieve the completion of activities as per agreed schedule. In case contractor is not able to execute the entire shortfall, then BHEL 'Engineer in-charge', shall decide the priority of work to be executed and it shall be binding on the contractor.

Note 2: Percentage Shortfall attributable to contractor w.r.t. "Plan - Shortfall attributable to BHEL" for the month = $[(\Sigma E - \Sigma B) / (\Sigma A - \Sigma D)] \times 100$
In case, $(\Sigma E - \Sigma B)$ is negative, then it shall be treated as zero percent."

Note 3: Form 14 should include all items being planned in the current month, and all items against which shortfall was attributable to contractor till previous month. However, for practical reason, if it is not possible to mention some of the items in Form-14 being planned to be executed in this month, then also value of such items shall necessarily be included in calculation of Total Value.

Note 4: In case reason for shortfall attributable to contractor is w.r.t. T&P and Manpower, it should be in conformity with Part B1 and B2.

BHEL

(Signature with Seal & Date)

Contractor

(Signature with Seal & Date)

FORMAT F-14 (Rev 00) MONTHLY PLAN & REVIEW WITH CONTRACTOR

Name of the Project		Contract No	
Name of the Work		Name of the Contractor	
Part – B1 - PLAN / REVIEW OF DEPLOYMENT OF MAJOR T&P FOR THE MONTH OF ----- -----		Date of Plan / Review	
CONTRACTOR'S SCOPE			

SN.	PLAN			DEPLOYMENT STATUS				REMARKS (Works affected due to non-deployment of T&Ps)
	Major T&P to be deployed as per work planned for the month	QTY	Deployment Period (in days)	Weightage assigned to planned T&P (in fraction such that $\Sigma C = 1$)	Actual Deployed Quantity	Actual Deployment Period (in days)	Weighted T&P Deployed	
		A	B	C	D	E	$F = (C \times D \times E) / (A \times B)$	

Note: In case, $E > B$, it shall be considered as $E = B$. Similarly, in case $D > A$, it shall be considered as $D = A$.
 Percentage of T&P Deployed = $\Sigma F \times 100$

BHEL SCOPE: -

SN.	PLAN			DEPLOYMENT STATUS			REMARKS (Works affected due to non-deployment of T&Ps)
	Major T&P to be deployed as per work planned for the month	QTY	Deployment Period (in days)	Actual Deployed Quantity	Actual Deployment Period (in days)		

BHEL

Contractor

(Signature with Seal & Date)

(Signature with Seal & Date)

CONTRACTOR SEAL & SIGN

Page 159 of 177 ACCEPTING OFFICER

FORMAT F-14 (Rev 00) MONTHLY PLAN & REVIEW WITH CONTRACTOR

Name of the Project		Contract No	
Name of the Work		Name of the Contractor	
Part – B2 - PLAN / REVIEW OF DEPLOYMENT OF MANPOWER FOR THE MONTH OF		Date of Plan / Review	

CONTRACTOR'S SCOPE: -

SN.	Area of Work	Category of Labour	No. of Labour required as per category	Deployment Period (in days)	No. of Labour actually deployed	Actual Deployment Period (in days)	REMARKS (Works affected due to non-availability of labour)
			A	B	C	D	

Percentage of Manpower Deployed= $100 \times \frac{\sum(C \times D)}{\sum(A \times B)}$

BHEL

(Signature with Seal & Date)

Contractor

(Signature with Seal & Date)

CONTRACTOR SEAL & SIGN

Page **160** of **177** ACCEPTING OFFICER

FORMAT F-14 (Rev 00) MONTHLY PLAN & REVIEW WITH CONTRACTOR

Name of the Project		Contract No	
Name of the Work		Name of the Contractor	
Part – C PLAN (PHYSICAL) FOR THE NEXT MONTH OF -----		Date of Plan / Review	

SN.	Description of work	Original Planned Quantity	Planned Quantity (excluding shortfalls attributable to contractor till date)	Unit of Measurement	T&Ps Required				Manpower Required		REMARKS (Reasons for difference in Original Planned Quantity w.r.t. Planned quantity to be given)
					Contractor Scope		BHEL Scope		Category of Labour	No. of Labour required as per Category	
					Major T&P to be deployed as per work planned for the month	Quantity	Major T&P to be deployed as per work planned for the month	Quantity			

Note 1: Planned quantity should be based on available/ expected fronts/ inputs in the next month

Note 2: "Original Planned Quantity" shall be as per latest jointly agreed programme between BHEL and Contractor before commencement of work or at the time of latest Time Extension as the case may be.

BHEL

(Signature with Seal & Date)

Contractor

(Signature with Seal & Date)

CONTRACTOR SEAL & SIGN

Page 161 of 177 ACCEPTING OFFICER

FORMAT F-14 (Rev 00) MONTHLY PLAN & REVIEW WITH CONTRACTOR

Name of the Project		Contract No	
Name of the Work		Name of the Contractor	
Part – C PLAN (PHYSICAL) FOR THE NEXT MONTH OF -----		Date of Plan / Review	

PART –D: REASONS FOR SHORTFALL ATTRIBUTABLE TO BHEL IN RESPECT OF PLAN FOR THE MONTH.....

SN.	Description of Work (from Part-A)	Quantities Affected		Reasons for Shortfall attributable to BHEL.	Agency responsible for reasons for Shortfall	Remarks (Supporting Documents in respect of agency responsible)
		(Physical Quantity)	Unit of Measu- rement			
1	2	3	4	5	6	7

Note1: Reasons for shortfall shall include non-availability of fronts/ drawings/ materials/ T&P (BHEL Scope)/ clearances etc. and other hindrances for which contractor is not responsible.

Note2: Agency responsible may be BHEL Site/ MUs/ Design Centre/ BHEL Customer/ other Contractors etc.

BHEL

(Signature with Seal & Date)

Contractor

(Signature with Seal & Date)

CONTRACTOR SEAL & SIGN

Page **162** of **177** ACCEPTING OFFICER

PART - II _ PRICE BID (PB)

SCHEDULE 'A'

LIST OF WORKS AND PRICES

DETAILS & QUANTITIES of each item of work shown in the BILL OF QUANTITIES are only approximate. They are given as a guide for the purpose of tendering only and are liable to variation and alteration of the Competent Authority. The work under each item as executed shall be measured and priced at the corresponding rate quoted by the contractor in the BILL OF QUANTITIES

BILL OF QUANTITIES

Sl. No.	Appx. Qty.	Description of work	TNBP No.	Rate (Both in Unit fig & Words)	Amount Rs. Ps.
AS PER SEPARATE SHEETS ATTACHED SHEETS IN PRICE BID					

'SCHEDULE B'

1. The following materials will be issued FREE of cost to contractor at BHEL Stores / Stock yard if specified in the BOQ and specifications.

Sl. No.	DESCRIPTION	PLACE OF ISSUE
1	Cement	BHEL Stores or Stock yard
2	M.S Rounds, C.T.D Bars & Structural Steel, rails and all railway materials, roof and side steel sheets	BHEL Stores or Stock yard

2. It will be the responsibility of the Contractor to submit his demands for the above stores in writing atleast **seven days** in advance of the actual requirement.
3. Issue of Stores is subject of the availability at the place of issue cited above, items of stores to be issued by BHEL which are not available at the time of indenting by the contractor may be supplied by BHEL after necessary procurement. The contractor shall not be entitled to any claim of compensation for delay in the supply of stores by BHEL under any circumstances.
4. The materials will be issued only during the working hours of the BHEL Stores Department (8.00 a.m. to 4.30 p.m.) **Contractor shall have to transport them to the site of work at his own cost as soon as they are issued to him.**
5. The steel materials if issued will be in random lengths and sizes as stocked by the BHEL and the cost of all cutting, conversion, substitution and fabrication as well as wastage shall have to be borne by the Contractor.
6. The contractor shall from time to time render proper account of all materials issued to him by BHEL. If he fails to do so, no further issue of materials will be made to him and he will be held responsible for any delay in the execution of the work which may occur on this account.
7. Where Roof & side Sheets and accessories, Doors, Windows, Sanitary fittings, Special glasses or other items are issued free of cost to the contractor, the contractor will have to make good at his own cost any loss or damage to any part or whole of the items issued to him as above. All wastage within the premises limits as fixed by BHEL will be charged for at the prescribed issued rates of BHEL. Excess wastage will be charged for at punitive rates which will be 100% higher than the issue rates.

8. All surplus materials in good condition which are not returned to the BHEL Stores and quantities of materials consumed in excess of the max. permissible limit as fixed by BHEL shall be charged for at punitive rates.
The decision of the Engineer-in-charge as to the extent to which materials have been rendered surplus or consumed in excess of the actual requirements shall be final and conclusive and binding on the contractor.

SCHEDULE 'C'

ISSUE OF TOOLS AND PLANTS TO CONTRACTORS

Sl. No.	Qty.	Particulars	Details of BHEL Crew Supplied	Hire Charges Per unit Per Day	Place of Issue	Remarks
.....Nil.....						

- a. Machineries shall not be operated over time without the written permission of the Engineer-in-charge.
- b. All Coolies, Watermen etc., required shall be arranged by the contractor at his own expense.

SCHEDULE 'D'

NOTE: All Drawings are to be signed by the Contractor as well as the officer entering into contract.

SL. No.	DRAWING NUMBER	DESCRIPTION
1	NIL	NIL

SCHEDULE 'E'

LEAD STATEMENT

Sl. No.	Name of Material	Name of Source	Lead Particulars for Township
1	NIL		

BILL OF QUANTITIES

(No rate shall be written here. Quote based on this BOQ should be given online in xl-format, only in eProcurement portal)

Name of Work: Annual Maintenance contract for Structural works including Structural fabrication, erection painting, roof sheeting and FRP lining in BHEL - Trichy, Factory Complex

Sl. No.	SR No.	DESCRIPTION	Unit	Estimate Rate Rs Ps
1	501	Collection from BHEL stores and transporting the raw structural steel sections to the contractor's site fabrication shop, fabrication of steel work including all materials going into the process of fabrication and forming an integral part of the steel work together with all shop welding including using low hydrogen electrode wherever necessary, all as per drawings and standard specifications. Rate includes delivery of fabricated steel work at erection site ready for erection, including preparation and supply of drawing office despatch list for BHEL's approval, all charges for packing (wherever called for) handling, conveying, stacking and all other incidental charges both for raw materials and fabricated steel works. Rate excludes raw structural steel sections which will be supplied by BHEL at stores at free of cost.	MT	13,753.26
2	502	Same as 0501, but excluding all consumables which will be supplied by BHEL at Stores at free of cost.	MT	10,567.22
3	503	Same as 0501, but fabrication using ERW / seamless steel tubes with necessary plates etc. instead of structural steel sections for columns, trusses, purlins, tie runners etc. (all tubular). Rate excludes ERW / seamless steel tubes, plates etc. which will be supplied by BHEL at stores at free of cost.	MT	15,128.56
4	504	Same as 0503, but excluding all consumables which will be supplied by BHEL at Stores at free of cost. (Also excludes energy charges)	MT	11,623.92
5	505	Carrying from stacks at erection site to erection positions and erection of fabricated steel work including all handling, conveying, assembling, hoisting, erecting in position and site welding and or bolting, alignment of structures, all as per drawings and standard specifications. Rate includes bolts and nuts, hire for welding tools and plants, labour etc., but excluding cost of fabricated components. If required, power will be given free of cost by BHEL Weight of fasteners will not be accounted for payment.	MT	7,412.49
6	506	Same as 0505 but excluding all consumables such as electrodes, bolts, nuts, washers etc. which will be supplied by BHEL at Stores at free of cost.	MT	7,074.75

CONTRACTOR SEAL & SIGN

Page 165 of 177 ACCEPTING OFFICER

Sl. No.	SR No.	DESCRIPTION	Unit	Estimate Rate Rs Ps
7	507	Fabrication and fixing in position of M.S frames for cable trench cover slabs in required sizes using M.S angles, plates, flats etc., which will be supplied by BHEL at Stores at free of cost, all as per drawings and instructions of Engineer-in-charge. Rate includes conveyance of raw materials from BHEL stores to contractors fabrication shop, fabrication charges including cutting, welding, preparing and supplying DODL's for BHEL's approval, supply of fabricated frames at site of work, fixing in proper position etc., complete.	MT	8,393.35
8	508	Same as 0507 but excluding all consumables such as electrodes which will be supplied by BHEL at Stores at free of cost.	MT	7,681.95
9	509	Conveying from BHEL stores to site of work cutting to size and fixing in position of 75 x 75 x 6 mm or other size M.S angles in required lengths for forming the rebates in cable trench (for fixing the cable trench cover slabs) including welding in position of dowel bars to the angles and embedding the angle iron frame in the flooring concrete in proper line and level, all as per drawings and instructions of Engineer-in-charge. Rate includes loading, unloading, handling, welding and other incidental charges, preparing and supplying of DODL's for approval etc. complete, but excluding cost of M.S angles and dowel bars which will be supplied by BHEL at Stores at free of cost.	MT	8,939.51
10	510	Same as 0509 but excluding all consumables which will be supplied by BHEL at Stores at free of cost. (Also excludes energy charges)	MT	8,223.26
11	511	Fabrication and fixing in position of M.S inserts out of M.S plates, flats, rounds, angles etc., including necessary lugs made of rounds or flats, sizing and cutting to required lengths, threading, bolting and welding as required and placing the same in position in both plain and reinforced cement concrete members, including adjusting the shuttering if necessary, tying and holding to correct level and line. Rate includes cost of all materials, labour etc., complete but excluding raw steel sections which will be supplied by BHEL at Stores at free of cost.	KG	31.36
12	512	Same as 0511 but excluding all consumables which will be supplied by BHEL at Stores at free of cost. (Also excludes energy charges)	KG	29.79
13	513	Fabrication of various sizes steel partitions (not exceeding 4.00 x 2.40 m) using M.S angles for outer frame work and flats for vertical and horizontal stiffeners etc. Bottom panels are to be welded with M.S sheets for a height of one metre (approx.) and top panels with BRC fabric (75 x 25 mm) All as per drawings and as directed by the Engineer-in-charge. Rate includes providing necessary holes for inter connections and also base plates for fixing on the floor, all labour, electrodes, conveyance of raw materials from stores to fabrication site, etc. complete, but excluding cost of steel sections and BRC fabrics which will be supplied by BHEL at Stores at free of cost.	M2	275.64

CONTRACTOR SEAL & SIGN

Page 166 of 177 ACCEPTING OFFICER

Sl. No.	SR No.	DESCRIPTION	Unit	Estimate Rate Rs Ps
14	514	Same as 0513 but excluding all consumables which will be supplied by BHEL at Stores at free of cost.	M2	240.85
15	515	Erection of fabricated steel partitions including handling, leading, assembling, erecting in position, site bolting, riveting, site welding etc., wherever required including cost of drilling holes in concrete floor and grouting bolts for fixing the base plates of steel partitions wherever necessary, all as per instructions of Engineer in charge. Rate includes all labour, incidentals etc., complete.	M2	146.29
16	516	Same as 0515 but excluding all consumables which will be supplied by BHEL at Stores at free of cost.	M2	138.46
17	517	Fabrication of S.S tubes / ERW tubes to the design specified for railing. Rate includes conveyance of raw materials and fabricated railings, fabrication charges, preparation of DODLs, incidentals etc., complete. Tubes and other steel materials required for the work will be supplied by BHEL at Stores at free of cost.	MT	13,753.26
18	518	Carrying from stacks to site of work and fixing in position in line, level and alignment of fabricated railings at places as directed by the Engineer-in-charge. Excavation for pits and concrete bed will be paid separately under relevant items.	MT	5,399.93
19	521	Providing and fixing in position of M.S rivets of required sizes at site of work.	KG	129.56
20	522	Welding by gas plant or electric plant including transportation of plant to site of work, cost of consumables, labour charges etc. complete.	CM	2.94
21	523	Tightening of loosened bolts and nuts of all connections of steel structures such as columns, truss girders, trusses, crane girders, bracings, purlins etc. of buildings at all heights. Rate includes drilling holes wherever required, providing/replacement of bolts and nuts, (excluding cost of bolts and nuts), labour etc. Payment will be made based on the corresponding floor area of the buildings.	M2	14.01
22	526	Removing cobwebs from the structures of buildings at all heights including cleaning of roof walls, undersurface of A.C sheets etc., complete. Rate includes providing working platforms, ladder, safety nets, labour etc., complete. Payment will be made based on the floor area of the buildings.	M2	5.79
23	541	Conveying the Gantrail MKVII 122 mm wide steel reinforced vulcanized rubber pad from BHEL stores to site of work and lifting the same to EOT crane girder level, laying, aligning and fixing in proper position along the top of crane girder at 8.00 m from floor level including sizing and correct to alignment by using chisel and filing the edges to match with the adjoining pad. Rate includes all labour, tools and plants and all other incidentals etc., complete.	RM	101.73

Sl. No.	SR No.	DESCRIPTION	Unit	Estimate Rate Rs Ps
24	542	Conveying the Gantrail weldable base type 9116/10/32 adjustable crane rail clip including captive bolts, nuts, washers and integral vulcanized rubber nose from BHEL stores to site of work, lifting to EOT crane girder level and fixing them by welding using special electrodes to hold the EOT crane rail in correct level and alignment. Rate includes all labour, scaffolding, tools and plants, tightening the clamps after rail erection etc., complete and all other incidentals. Special electrodes and power will be supplied by BHEL at free of cost.	SET	152.58
25	543	Supply, drilling and driving 10/12 mm dia. anchor fasteners of length not exceeding 125 mm at 500 mm both sides of crane rail having tensile and shear capacity of minimum 1.50 MT into the RCC crane girder as indicated in the drawing to secure cover plate rigidly with the crane girder. Rate includes cost of fasteners, labour for drilling holes, etc., complete, all as per the instructions of Engineer-in-charge. Rate also includes provision for wastage of fasteners or repeat work in driving of fasteners due to infringement of reinforcement if any and also filling up the unwanted holes drilled on concrete girder due to repeat work with suitable high strength non-shrink cement.	SET	207.77
26	544	Removing the old rigidly welded rail clamp and bolt by gauging the welded joint without damaging the bolt. Rate includes labour, consumables, tools and plants and making good all damages by welding and grinding the top surfaces of girder.	SET	57.97
27	546	Providing fibre glass reinforcement with UV resistant polyurethane compound lining, to a minimum thickness of 3 mm on newly fabricated M.S gutters at floor level and jointing and filling the gap finishing etc., after erection at a height ranging from 12-24m from FFL, and making the gutters leak proof as per instructions of Engineer-in-charge. The work consists of thoroughly cleaning the surface of the gutters and applying an undercoat of resin over which the alternate layers (min. three layers) of fibre strand and resin to the required thickness before applying polyurethane compound coating at top with one coat of Gel coat with surface mat and polish to provide even surface, preparation of surface with fibre reinforced plastic with 50 microns thick polyurethane lining, testing, etc., complete all as per instruction of Engineer-in-charge. Rate quoted shall also include cost of labour, material with all taxes, scaffolding charges, if any and all other incidental charges etc., complete.	M2	1,063.20

Sl. No.	SR No.	DESCRIPTION	Unit	Estimate Rate Rs Ps
28	547	Providing fibre glass reinforcement with UV resistant polyurethane compound lining, to a minimum thickness of 3 mm on M.S gutters of factory buildings at a height ranging from 12-24m from FFL, and making the gutters leak proof as per instructions of Engineer-in-charge. The work consists of removing the adjoining North light Glazing, A C Sheets and existing paint in the gutter completely and thoroughly cleaning the surface including the damaged portion of the gutters and applying an undercoat of resin over which the alternate layers (min. three layers) of fibre strand and resin to the required thickness before applying polyurethane compound coating at top with one coat of Gel coat with surface mat and polish to provide even surface, preparation of surface with fibre reinforced plastic with 50 microns thick polyurethane lining, testing, refixing the removed north light glazing and AC sheets and also filling with fibre reinforcement prior to lining in areas badly worn out both in the bottom as well as sides of gutters etc., complete all as per instructions of Engineer- in -charge. Rate quoted shall also include cost of labour, material with all taxes, scaffolding charges, if any and all other incidental charges etc., complete (The Contractor is required to take all safety precautions during working and obtain work permit from the concerned departments. Working hour is restricted as it depends on shutdown by production department that may not be more than 4 hours at a stretch and only intermittent).	M2	1,399.82
29	549	Welding of 90 Lbs. / CR 80 rail joints erected already in alignment in crane girders / gantry girder up to + 14.00 meter including edge preparation, preheating welding using special type electrode (Elec grade 11018). The rate includes all labour charges, electrodes and incidental charges for dismantling the rail from its original position, edge preparation, preheating, welding, post heating as per the instructions of BHEL Engineer in charge. Also include cost of consumables for pre heating and post heating and labour charges for re fixing the 90 Lbs. / CR 80 rail to alignment, level after welding etc., complete.	JOINT	2,412.65
30	552	Supply and fixing cup type rail clamp with fittings over the insert plate which is embedded in the concrete. Rate includes welding including cost of consumables, all labour and other incidentals etc. complete, all as per instructions of Engineer-in-charge.	Each	280.63

Sl. No.	SR No.	DESCRIPTION	Unit	Estimate Rate Rs Ps
31	701	Carrying, hoisting and fixing in position of 0.47 to 0.50mm thick colour coated Aluminium zinc alloy coated high tensile steel rib profile sheets with accessories such as ridge pieces, barge boards, North light curves, end curves, etc., for roofing at all heights with necessary xylon coated self-tapping / self-drilling screws with EPDM washers at every ribs etc., complete. All as per drawings, manufacturers specifications and instructions of Engineer-in-charge. Rate includes cost of self-tapping/ self-drilling screws with EPDM washers etc., and labour charges for fixing, hire charges for tools and plants like drilling machines, cost of providing life line and other provisions for safety, scaffolding and all other incidental charges etc., complete but excluding cost of Aluminium zinc alloy coated high tensile steel sheets and its accessories such as ridge pieces, barge boards, curves, etc., which will be supplied by BHEL at Stores at free of cost. The payment will be made for the actual laid area only.	M2	98.49
32	702	Carrying , hoisting and fixing in position of 0.47 to 0.50mm thick colour coated Aluminium zinc alloy coated high tensile steel rib profile sheets with accessories such as ridge pieces, barge boards, curves, etc., for side sheeting at all heights with necessary xylon coated self-tapping / self-drilling screws with EPDM washers at every valleys, etc., complete .All as per drawings, manufacturers specifications and instructions of Engineer-in-charge ..Rate includes cost of self-tapping/ self-drilling screws with EPDM washers etc., and labour charges for fixing, hire charges for tools and plants like drilling machines, cost of providing life line and other provisions for safety, scaffolding and all other incidental charges etc., complete but excluding cost of Aluminium zinc alloy coated high tensile steel sheets and its accessories such as ridge pieces, barge boards, curves, etc., which will be supplied by BHEL at Stores at free of cost. The payment will be made for the actual laid area only.	M2	127.11

Sl. No.	SR No.	DESCRIPTION	Unit	Estimate Rate Rs Ps
33	703	<p>Supplying at site of work, hoisting and fixing in position of 0.47 to 0.50mm thick colour coated Aluminium zinc alloy coated high tensile steel rib profile sheets with accessories such as ridge pieces, barge boards, North light curves, end curves, etc., as per technical specifications given in note below for roofing at all heights with necessary xylon coated self-tapping / self-drilling screws with EPDM washers at every ribs etc., complete. All as per drawings, manufacturers specifications and instructions of Engineer-in-charge .Rate includes cost of all materials like colour coated Aluminium zinc alloy coated high tensile steel rib profile sheets with accessories such as ridge pieces, barge boards, curves, etc., wherever required self-tapping / self-drilling screws with EPDM washers at every ribs etc., and labour charges for fixing, hire charges for tools and plants like drilling machines, providing lifeline and other provisions for safety, and all other incidental charges etc., complete. The payment will be made for the actual laid areaonly.</p> <p>Note:</p> <ol style="list-style-type: none"> 1. The Aluminium zinc alloy coated high tensile steel sheets and specials shall be 0.47 to 0.50mm thick (TCT) Aluminium (around 55%, Zinc around 43%) alloy coated high tensile steel (Yield strength 550 MPA) colour coated rib profile sheets as per ASTM A792M, coating standard as per AS 1397-1933 Conforming to AZM 150 (Min Coating mass of 150 gsm) having cover width of 1000 plus or minus 10mm and over all width of 1060mm of any length to suit site conditions. 2. About 90% area of the Aluminium zinc alloy coated high tensile steel sheets shall be colour coated with Light Blue RAL 5012 and 10% of the covered area is of with off white. All ridge pieces and barge boards are of off white. 3. The Aluminium zinc alloy coated high tensile steel sheets shall be Pre-Primed with a Primer of 5µm and finished with a final paint coat of 17-20 µm on top surface. A single backing coat of 7-10µm should be applied on reverse side 	M2	622.30

Sl. No.	SR No.	DESCRIPTION	Unit	Estimate Rate Rs Ps
34	704	<p>Supplying at site of work, hoisting and fixing in position of 0.47 to 0.50mm thick colour coated Aluminium zinc alloy coated high tensile steel rib profile sheets with accessories such as ridge pieces, barge boards, curves, etc., as per technical specifications given in note below for side sheeting at all heights with necessary xylon coated self-tapping / self-drilling screws with EPDM washers at every valleys, etc., complete. All as per drawings, manufacturers specifications and instructions of Engineer-in-charge. Rate includes cost of all materials like colour coated Aluminium zinc alloy coated high tensile steel rib profile sheets with accessories such as ridge pieces, barge boards, curves, self-tapping / self-drilling screws with EPDM washers at every valleys, etc., and labour charges for fixing, hire charges for tools and plants like drilling machines, providing lifeline and other provisions for safety, and all other incidental charges etc., complete. The payment will be made for the actual laid area only.</p> <p>Note:</p> <ol style="list-style-type: none"> 1. The Aluminium zinc alloy coated high tensile steel sheets and specials shall be 0.47 to 0.50mm thick (TCT) Aluminium (around 55%, Zinc around 43%) alloy coated high tensile steel (Yield strength 550 MPA) colour coated rib profile sheets as per ASTM A792M, coating standard as per AS 1397-1933 Conforming to AZM 150 (Min Coating mass of 150 gsm) having cover width of 1000 plus or minus 10mm and over all width of 1060mm of any length to suit site conditions. 2. About 90% area of the Aluminium zinc alloy coated high tensile steel sheets shall be colour coated with Light Blue RAL 5012 and 10% of the covered area is of with off white. All ridge pieces and barge boards are of Off white. 3. The Aluminium zinc alloy coated high tensile steel sheets shall be Pre-Primed with a Primer of 5µm and finished with a final paint coat of 17-20 µm on top surface. A single backing coat of 7-10µm should be applied on reverse side 	M2	650.99
35	705	<p>Supplying at site of work, hoisting and fixing in position of 2mm thick embossed clear poly carbonate roof light sheets in specified locations and at all heights with necessary xylon coated self-tapping / self-drilling screws with EPDM washers at every ribs, etc., complete to match the profile of Aluminium zinc alloy coated high tensile steel roof sheets, as per instructions of Engineer-in-charge. The rate includes cost of poly carbonate sheets, self-tapping / self-drilling screws with EPDM washer, at every ribs, and labour charges, all scaffolding charges, tools and plants and all other incidental charges etc., complete.</p>	M2	1,712.97

Sl. No.	SR No.	DESCRIPTION	Unit	Estimate Rate Rs Ps
36	706	Supplying roof extractors (Turbo Air Ventilators) of dia. 600mm or thereabouts, fixing in position on AC / Aluminium zinc alloy coated high tensile steel sheet roofs at all heights with necessary screws, bolts etc., and finishing to match with existing roof. Rate to include cost of all labour charges for fixing the roof extractors with necessary cutting of sheets to the required size, drilling to suit the screws/ bolts, and finishing to match the existing profile including cost of roof extractors / ventilators. All as per manufacturers specifications and as directed by the Engineer in charge	EACH	9,782.65
37	707A	Supply and fixing corrugated fibre glass reinforced polyester translucent roof light sheets of all colours including white of following thickness to match with the existing A.C. sheet roofing including cost of G.I. bolts, nuts, washers and bitumen washers etc., complete. Payment will be based on the laid area. FRP Sheet 1 mm thick.	M2	527.60
38	707B	Supply and fixing corrugated fibre glass reinforced polyester translucent roof light sheets of all colours including white of following thickness to match with the existing A.C. sheet roofing including cost of G.I. bolts, nuts, washers and bitumen washers etc., complete. Payment will be based on the laid area. FRP Sheet 2 mm thick.	M2	880.20
39	708	Supply and fixing in position of galvanised iron plain sheets of 1.60 mm thick for flashing using G.I bolts, nuts, limpet washers etc. complete bent to shape and fixed in walls with cement mortar 1:3, all as per drawings and specifications.	M2	916.85
40	709	Conveying G.I sheets from BHEL stores to site of work, bent to shape and fixing in proper position for flashing fixed with G.I bolts, nuts, limpet washers etc., complete and fixed in walls with cement mortar 1:3, all as per drawings and specifications. G.I sheet alone will be supplied by BHEL at Stores at free of cost.	M2	494.75
41	710	Supply and fixing in position of 6 mm thick wired glass in roof north light glazing including straightening the aluminium astrangle as required. Rate includes cost of glass, labour etc. complete.	M2	1,099.10
42	711	Conveying from BHEL stores to site of work 6 mm thick wired glass and fixing in position for roof north light glazing including straightening the aluminium astrangle as required. Rate includes labour, conveyance and other incidentals, removing the broken glasses from its position etc. complete.	M2	113.66

Sl. No.	SR No.	DESCRIPTION	Unit	Estimate Rate Rs Ps
43	723	Conveying from BHEL stores to site of work, hoisting and fixing in position of 4 mm / 6 mm thick multi walled clear (UV coated) polycarbonate sheet for north light glazing runner (inclined and vertical) as per drawing including provision of suitable aluminium frames as required. The scope of work includes supply of aluminium frames (top and bottom) in required profiles fitted with EPDM rubber gaskets and fixing in the glazing runner using SDST screws of approved make and polycarbonate sheets are suitably placed between the aluminium frames before driving the top frame screws all as per Drg.no and as per the instructions of Engineer in Charge. The top and bottom portion of polycarbonate sheets shall be closed with aluminium U channels to prevent dust and insects. Rate shall include cost of aluminium frames, U channels, EPDM rubber gaskets, SDST screws required labour, tools and plants, etc., except polycarbonate sheets which will be supplied by BHEL at free of cost	M2	1,311.21
44	724	To collect and cleaning of all the damaged north light glazing materials (polycarbonate sheets) at roof top for all heights and removing/repairing the north light glazing bars (aluminium beading) wherever required in line, level and alignment as per the instructions of Engineer in charge. The aluminium beadings and polycarbonate sheets shall be re fixed using 2 nos. of 50mm X 6mm MS Hexagonal bolts, nuts and washers at top horizontal 8 nos. of 35mm X 12mm Self-drilling fasteners with EPDM washers at both the vertical sides and 2 nos. of 50mm X 12mm self-drilling screws with EPDM washers at bottom horizontal in each panel. The rate shall include cost of all labour charges, incidental charges for removing repairing and cost of all required fasteners for re fixing work but excludes cost of polycarbonate sheets and aluminium beading which will be supplied at free of cost. Payment will be made only for the actual area of repair work executed.	M2	128.96
45	725	Supplying at site of work, hoisting and fixing in position of 4 / 6 mm thick multi-walled clear (UV coated) Polycarbonate sheet for north light glazing / glazing in monitor type roof to suit the rows of glazing runner (inclined and vertical) as per drawing including provision of suitable aluminium frames as required. The scope of work includes supply of polycarbonate sheets, aluminium frames (top & bottom) in required profile fitted with EPDM rubber gaskets and fixing in the glazing runner using SDST screws of approved make and the polycarbonate sheets are suitably placed between the aluminium frames be-fore driving the top frame screws all as per standard specification, instructions of Engineer-in-charge. The top and bottom portion of polycarbonate sheets shall be closed with aluminium U channels to prevent dust and insects. Rate shall include cost of polycarbonate sheets, aluminium frames, U channels, EPDM rubber gaskets, SDST screws, required labour, tools and plants etc., complete	M2	2,001.00

CONTRACTOR SEAL & SIGN

Page 174 of 177 ACCEPTING OFFICER

Sl. No.	SR No.	DESCRIPTION	Unit	Estimate Rate Rs Ps
46	829A	Painting with aluminium paint of approved brand and manufacture on surfaces to give an even shade, all as per standard specifications. Two coats.	M2	68.31
47	829B	Painting with aluminium paint of approved brand and manufacture on surfaces to give an even shade, all as per standard specifications. One coat	M2	43.51
48	830A	Painting with black anti corrosive bitumastic paint of approved brand and manufacture on surfaces to give an even shade, all as per standard specifications. Two coats.	M2	50.63
49	830B	Painting with black anti corrosive bitumastic paint of approved brand and manufacture on surfaces to give an even shade, all as per standard specifications. One coat	M2	34.02
50	833A	Painting one priming coat with approved primer on surfaces including preparing the surfaces by thoroughly cleaning oil, grease, dirt and other foreign matters and scoured with wire brushes, fine steel wool scrapers and sand paper, all as per standard specifications. Zinc Chromate primer	M2	31.52
51	833B	Painting one priming coat with approved primer on surfaces including preparing the surfaces by thoroughly cleaning oil, grease, dirt and other foreign matters and scoured with wire brushes, fine steel wool scrapers and sand paper, all as per standard specifications. Red oxide primer	M2	22.68
52	834A	Painting one priming coat with approved primer over structural steel works in roof structures, columns etc., including preparing the surfaces by thoroughly cleaning oil, grease, dirt and other foreign matters and scoured with wire brushes, fine steel wool scrapers and sand paper, all as per standard specifications. Zinc Chromate primer	MT	1,062.03
53	834B	Painting one priming coat with approved primer over structural steel works in roof structures, columns etc., including preparing the surfaces by thoroughly cleaning oil, grease, dirt and other foreign matters and scoured with wire brushes, fine steel wool scrapers and sand paper, all as per standard specifications. Red oxide primer	MT	625.14
54	835A	Painting (excluding priming coat) on structural steel works in roof structures, columns etc. with synthetic enamel paint of approved brand and shade, brushing to give an even shade including cleaning the surfaces of all dirt, dust and other foreign matters, scaffolding charges etc. complete. All as per standard specifications. Two coats	MT	1,757.00
55	835B	Painting (excluding priming coat) on structural steel works in roof structures, columns etc. with synthetic enamel paint of approved brand and shade, brushing to give an even shade including cleaning the surfaces of all dirt, dust and other foreign matters, scaffolding charges etc. complete. All as per standard specifications. One coat	MT	1,041.86

CONTRACTOR SEAL & SIGN

Page 175 of 177 ACCEPTING OFFICER

Sl. No.	SR No.	DESCRIPTION	Unit	Estimate Rate Rs Ps
56	836A	Painting (excluding priming coat) on structural steel works in roof structures, columns etc. with aluminium paint of approved brand, brushing to give an even shade including cleaning the surfaces of all dirt, dust and other foreign matters, scaffolding charges etc. complete. All as per standard specifications. Two coats	MT	1,625.10
57	836B	Painting (excluding priming coat) on structural steel works in roof structures, columns etc. with aluminium paint of approved brand, brushing to give an even shade including cleaning the surfaces of all dirt, dust and other foreign matters, scaffolding charges etc. complete. All as per standard specifications. One coat	MT	955.31
58	1001A22	Dismantling / removing / demolishing as the case may be of the following by manually / mechanical means and carefully stacking the serviceable materials at site of work or conveying and handing over the same at BHEL stores and disposal of unserviceable materials by transporting and dumping in the nearby low level areas within a lead of 100 metres. All as per instructions of Engineer-in-charge. A.C sheets from roofs and side cladding including ridges, valleys, gutters etc.	M2	25.45
59	1001A23	Dismantling / removing / demolishing as the case may be of the following by manually / mechanical means and carefully stacking the serviceable materials at site of work or conveying and handing over the same at BHEL stores and disposal of unserviceable materials by transporting and dumping in the nearby low level areas within a lead of 100 metres. All as per instructions of Engineer-in-charge. G.I / Aluminium sheets / Aluminium Zinc alloy coated sheets from roofs and side cladding including ridges, valleys, gutters etc.	M2	54.81
60	1001A24	Dismantling / removing / demolishing as the case may be of the following by manually / mechanical means and carefully stacking the serviceable materials at site of work or conveying and handing over the same at BHEL stores and disposal of unserviceable materials by transporting and dumping in the nearby low level areas within a lead of 100 metres. All as per instructions of Engineer-in-charge. Steel structures / steel works in built up sections including bolts, nuts, cutting rivets, welding, dismembering, preparation of DODL etc.	MT	1,721.97
61	1001A25	Dismantling / removing / demolishing as the case may be of the following by manually/mechanical means and carefully stacking the serviceable materials at site of work or conveying and handing over the same at BHEL stores and disposal of unserviceable materials by transporting and dumping in the nearby low level areas within a lead of 100 metres. All as per instructions of Engineer-in-charge. Steel partitions including bolts, nuts, cutting rivets, welding etc. and dismembering.	M2	75.59

Sl. No.	SR No.	DESCRIPTION	Unit	Estimate Rate Rs Ps
62	1001A26	Dismantling / removing / demolishing as the case may be of the following by manually / mechanical means and carefully stacking the serviceable materials at site of work or conveying and handing over the same at BHEL stores and disposal of unserviceable materials by transporting and dumping in the nearby low level areas within a lead of 100 metres. All as per instructions of Engineer-in-charge. North light glasses at various levels ranging from 9 to 24 metre.	M2	86.21
63	1531	Cleaning and removing all the unwanted things from the rain water gutters available at an elevation of 12 to 20 m from FFL and making the gutter free from all accumulations, all as per instructions of Engineer-in-charge. Scope includes thorough cleaning off all dirt, dust, silt, leaves, other foreign matters etc. complete from the gutters using wire brush without damaging to the existing treatment given in the gutters, collecting the wastes in bags, lowering and conveying the same to the floor and dumping in the low lying areas. Rate includes all labour, tools, other incidentals etc. complete. Since the work is to be carried out at elevated levels / DSL EOT crane areas, the contractor is required to take all safety precautions during working and obtain work permit from the concerned departments. Working hour is restricted as it depends on shut down by the Production department that may not be more than 4 hour at a stretch and only intermittent.	M2	12.57

Note:

1. Mentioned rates excludes GST %.
2. Unit M2 means sqm.
3. Unit M3 means cum.