

BHARAT HEAVY ELECTRICALS LIMITED
Tiruchirapalli-620014

List of documents to be submitted

BHEL Enquiry No: RCLSBQ2543

List of documents to be submitted in Part 1 Bid

The following documents with sign and seal are to be submitted in Part-1 bid for techno-commercial terms and conditions evaluation:

1. Scope of supply
2. Drawings
3. Schedule of deviation (in case of any deviation)
4. Pre-Qualification Requirements
5. Enquiry General Terms and Conditions
6. Minimum Local Content Declaration Certificate
7. Confirmation to terms and conditions
8. Latest Udyam Registration Certificate

Document to be submitted in Part 2 Bid

The following excel price sheet to be submitted in Part-2 bid:

1. Price sheet –BOQ excel sheet

Scope of Supply

Ref: RCLSBQ2543

| Item Sl. No | Material Code | Material Description | Drawing No/Rev No | Quantity (Nos)* | Delivery Period from PO date | Supplier's Response (Quoted/not Quoted) |
|-------------|---------------|-----------------------------|-------------------|-----------------|------------------------------|---|
| 1 | 964608710000 | L S BOX ASSY 250CYL111LHS | 2VL67117418/02 | 30 | 8 Weeks | |
| 2 | 964608720000 | L S BOX ASSY 200CYL111LHS | 2VL67317418/02 | 30 | 8 Weeks | |
| 3 | 964608800000 | L S BOX ASSY 160CYL | 2VL73617506/01 | 30 | 8 Weeks | |
| 4 | 964608810000 | L S BOX ASSY 200CYL | 2VL73717506/01 | 30 | 8 Weeks | |
| 5 | 964608820000 | L S BOX ASSY 250CYL RHS | 2VL73917506/01 | 30 | 8 Weeks | |
| 6 | 964621420000 | SENSOR BOX ASSY-LC01 | 3VLC0128191/00 | 30 | 8 Weeks | |
| 7 | 964621460000 | TRANSMITTER COVER ASSY-LA01 | 3VLA0128173/00 | 100 | 8 Weeks | |
| 8 | 964621470000 | TRANSMITTER COVER ASSY-LA02 | 3VLA0228173/00 | 100 | 8 Weeks | |
| 9 | 966000870000 | S-HOOK | 4VUM2027545/01 | 500 | 8 Weeks | |

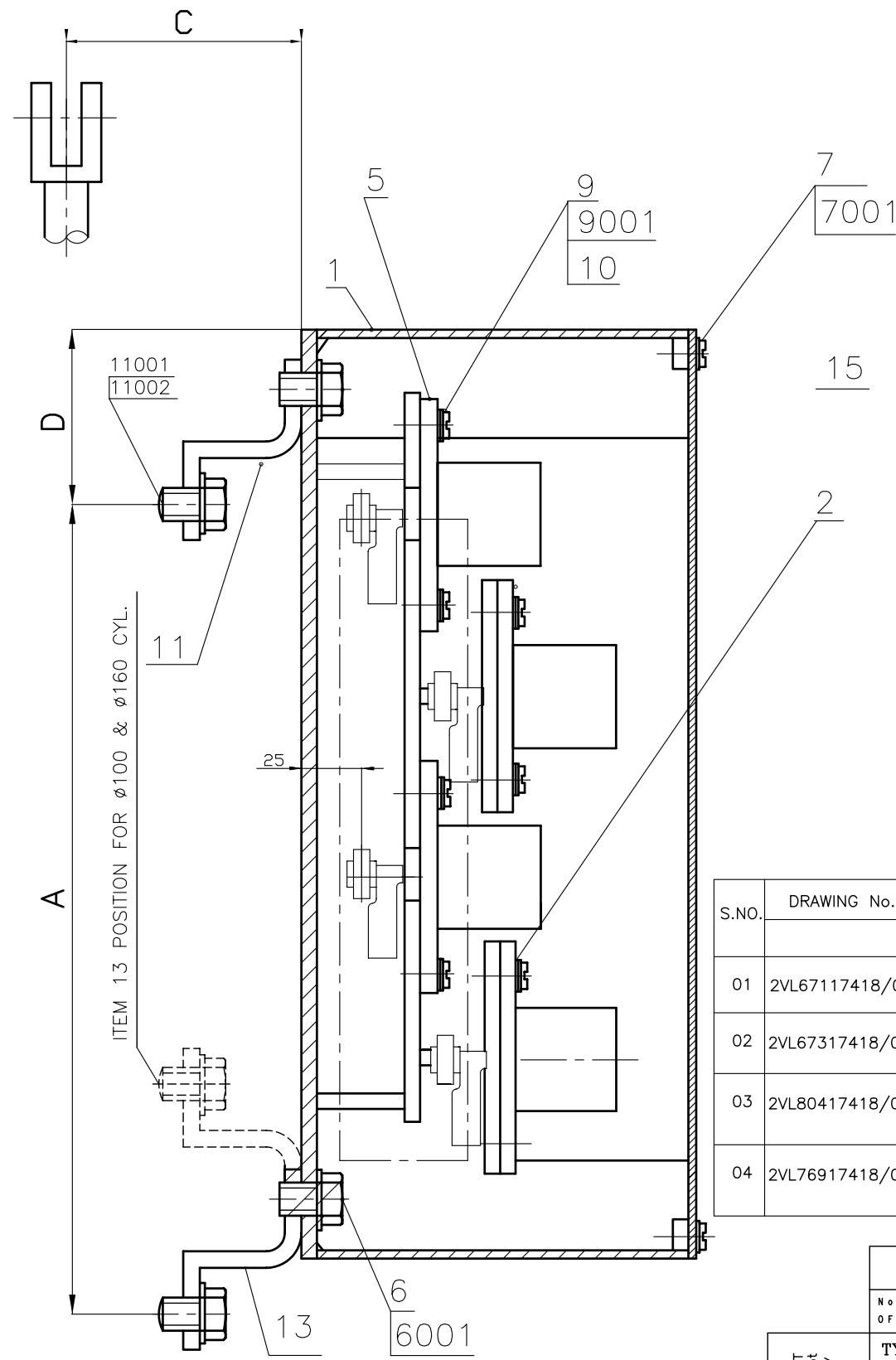
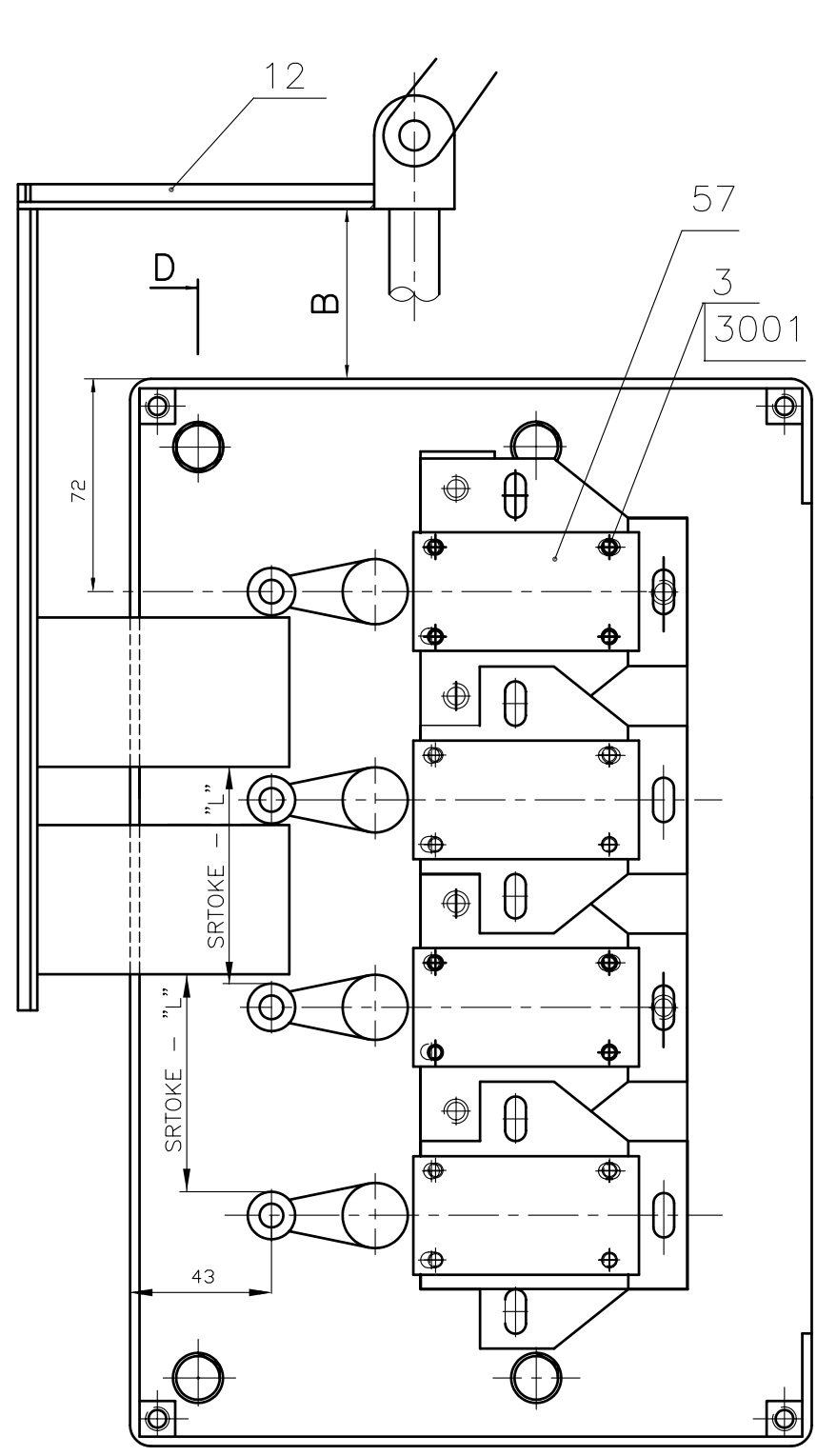
* The quantities mentioned in the enquiry are indicative for the entire Rate contract period

Seal and Signature of authorized signatory

2-V-0000-17418
DRAWING NO.

ALL DIMENSIONS ARE IN MILLIMETRES. FOR TOLERANCES OF UNTOLERANCED DIMENSIONS DURING MANUFACTURE REFER RELEVANT QCP / QP

| PART NO. | DESCRIPTION | DRAWING No. | QUANTITY |
|----------|----------------------|-------------|----------|
| 1 | SWITCH BOX | 3VL80922570 | 1 |
| 2 | COVER | 4VL77720023 | 1 |
| 3 | SCREW | M5 X 50 | 16 |
| 3001 | SPRING WASHER | M5 | 16 |
| 5 | SWITCH PLATE | 4VL80920303 | 2 |
| 6 | SCREW CAP SOC | M8 X 20 | 4 |
| 6001 | SPRING WASHER | M8 | 4 |
| 7 | SCREW HEX | M6 X L16 | 4 |
| 7001 | SPRING WASHER | M6 | 4 |
| 9 | SCREW HEX | M6 x L16 | 12 |
| 9001 | SPRING WASHER | M6 | 12 |
| 10 | WASHER PUNCHED | M6 | 12 |
| 11 | SUPPORT PLATE ASSY | REFER TABLE | 1 |
| 11001 | SPRING WASHER | M8 | 4 |
| 11002 | SCRU HEX | M8 X 20 | 4 |
| 12 | OPERATING PLATE ASSY | REFER TABLE | 1 |
| 13 | SUPPORT PLATE ASSY. | REFER TABLE | 1 |
| 15 | ADAPTOR PLATE | 4VL80920304 | 2 |
| 57 | LIMIT SWITCH | 2NO+2NC | 4 |



SECTION - DD

| S.NO. | DRAWING No. | COMP. CODE FOR BOX | | CYLINDER SIZE | STROKE 'L' | OPERATING PLATE ASSY DRAWING NUMBER | SUPP. PLATE ASSY. DRG. PART No. 11 PART NO 13 | DIMENSIONS FOR CHECKING | | | |
|-------|----------------|--------------------|-----------------|---------------|------------|-------------------------------------|---|-------------------------|-----|-----|-----|
| | | WITH INDIG L.S | WITH IMPORT L.S | | | | | A | B | C | D |
| 01 | 2VL67117418/02 | 964608710000 | 931220350000 | 250 | 111 | 3VL72722573 | 3VL77922419 | 343 | 152 | 200 | 74 |
| 02 | 2VL67317418/02 | 964608720000 | 931220280000 | 200 | 111 | 3VL72722573 | 3VL77522419 | 330 | 152 | 200 | 64 |
| 03 | 2VL80417418/02 | 964607370000 | 931175550000 | 160 | 59 | 3VL80422572 | 3VL77222419 | 246 | 78 | 180 | 57 |
| 04 | 2VL76917418/02 | 964608850000 | 931221930000 | 100 | 48 | 3VL76922851 | 3VL76922419 | 197 | 34 | 140 | 100 |

- NOTE:**
- 1.ALL COMPONENTS ARE TO BE PHOSPHATED BEFORE ASSY.
 - 2.PART NO. 57,3 AND 3001 WILL NOT BE PART OF '96' CODE.
 - 3.REFER APPLICABLE QUALITY PROCEDURE IN ALL RESPECTS.
 - 4.DRAWINGS REFERED HERE ARE FOR INFORMATION ONLY. DURING MANUFACTURE DRAWINGS WITH LATEST REVISION INDEX ALONE SHOULD BE CONSIDERED.
 - 5.ENSURE DIMENSIONS A, B, C, AND D DURING MANUFACTURE AND ASSY.

| REV | DATE | ALTERED PRK |
|-----|----------|---------------|
| 03 | 29.01.05 | CHD & APPDSNR |

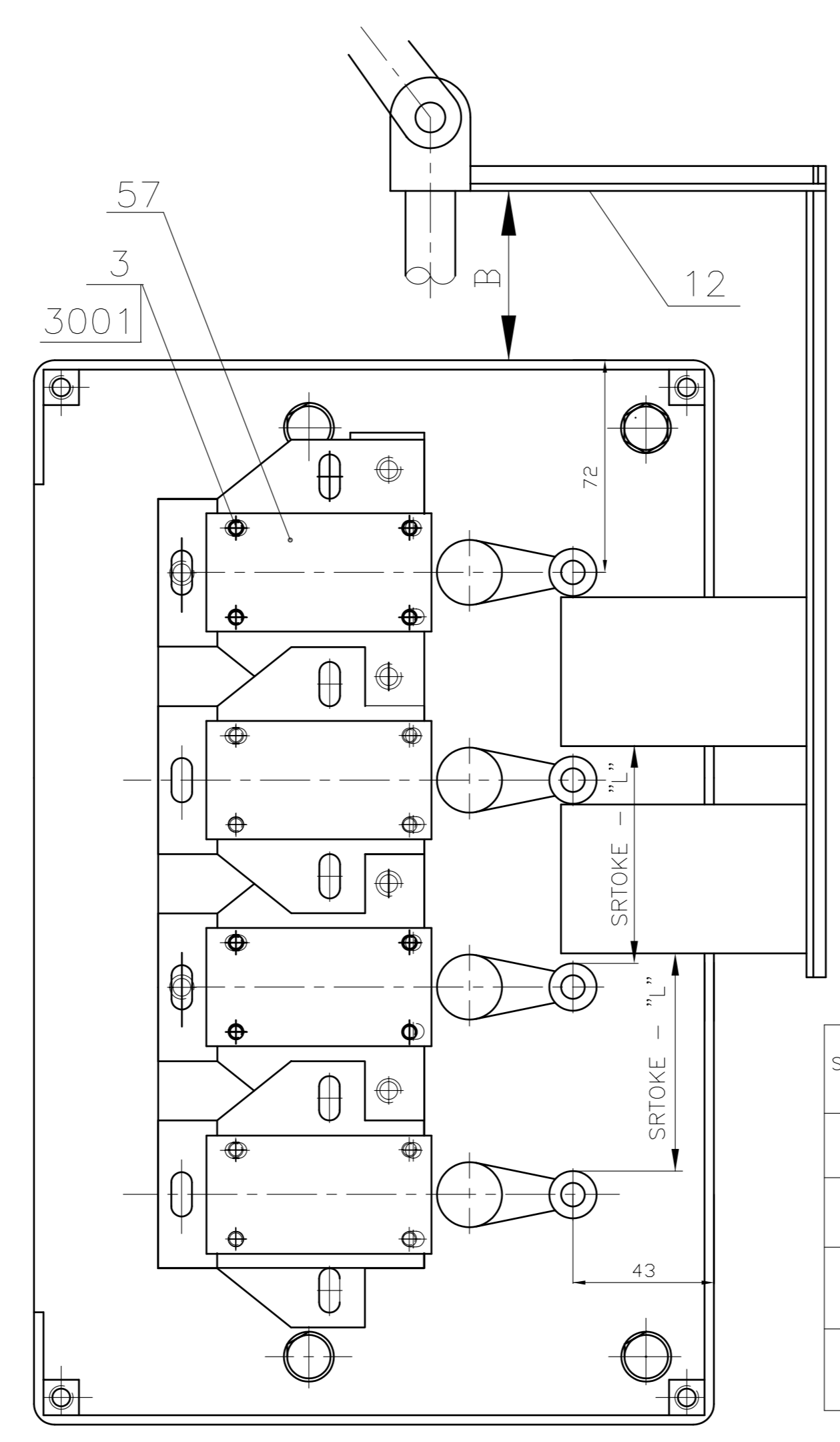
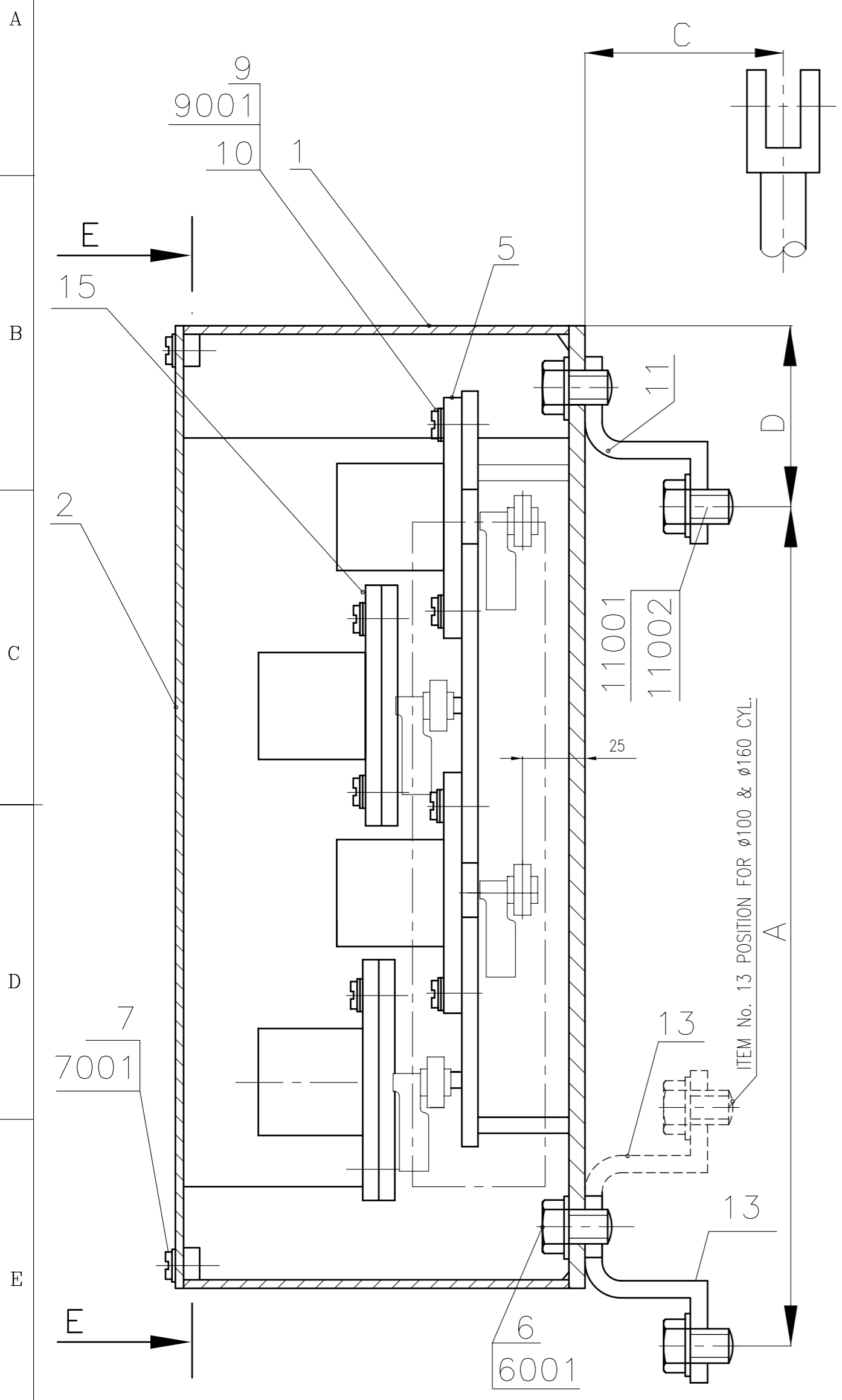
ZONE DRAWING UPDATED AND REDRAWN.

| No OFF | DESCRIPTION | MATL CODE | MATL SPECN | HEAT TREATMENT | SCRAP SORT | NET WT (kg) | GROSS WT (kg) | DRAWING No | ITEM No | |
|--------|--|-----------------------|----------------|------------------------|------------|-------------|---------------|------------|---------|--|
| | TYPE OF PRODUCT OR NAME OF CUSTOMER/PROJECT | | | | | | | Q N | | |
| | BHARAT HEAVY ELECTRICALS LTD., UNIT: HIGH PRESSURE BOILER PLANT. TIRUCHIRAPALLI-620014. | DRN | M.P.SELVAKUMAR | M.P.S | 24.12.04 | | | | | |
| | | CHD | P.RAMANIKARAN | P.R.K | 24.12.04 | | | | | |
| | | APPD | S.NATARAJAN | S.N | 24.12.04 | | | | | |
| | TITLE | SCALE | WEIGHT (KG). | REFERENCE INFORMATIONS | | | | | | |
| | LIMIT SWITCH BOX ASSY | N T S | | | | | | | | |
| | FOR LEFT CYLINDER (2NO+2NC). | | | | | | | | | |
| | CARD CODE | DRAWING NO. | | | | | | | | |
| | U 01 | 2-V-0000-17418 | | | | | | | | |
| | | REV | | | | | | | | |
| | | 03 | | | | | | | | |

CAUTION: The information on this document is the property of BHARAT HEAVY ELECTRICALS LTD. It must not be used directly or indirectly in any way detrimental to the interest of the company.

90571-0000-V-2
DRAWING NO.

ALL DIMENSIONS ARE IN MILLIMETRES. FOR TOLERANCES OF UNTOLERANCED DIMENSIONS DURING MANUFACTURE REFER RELEVANT QCP / QP



SECTION - EE

| PART NO. | DESCRIPTION | DRAWING No. | QUANTITY |
|----------|----------------------|-------------|----------|
| 1 | SWITCH BOX | 3VL73722581 | 1 |
| 2 | COVER | 4VL77720023 | 1 |
| 3 | SCREW | M5 X 42 | 16 |
| 3001 | SPRING WASHER | M5 | 16 |
| 5 | SWITCH PLATE | 4VL80920303 | 2 |
| 6 | SCREW CAP SOC | M8 X 20 | 4 |
| 6001 | SPRING WASHER | M8 | 4 |
| 7 | SCREW HEX | M6 X L16 | 4 |
| 7001 | SPRING WASHER | M6 | 4 |
| 9 | SCREW HEX | M6 x L16 | 12 |
| 9001 | SPRING WASHER | M6 | 12 |
| 10 | WASHER PUNCHED | M6 | 12 |
| 11 | SUPPORT PLATE ASSY | REFER TABLE | 1 |
| 11001 | SPRING WASHER | M8 | 4 |
| 11002 | SCRU HEX | M8 X 20 | 4 |
| 12 | OPERATING PLATE ASSY | REFER TABLE | 1 |
| 13 | SUPPORT PLATE ASSY. | REFER TABLE | 1 |
| 15 | ADAPTOR PLATE | 4VL80920304 | 2 |
| 57 | LIMIT SWITCH | 2NO+2NC | 4 |

NOTE:

- 1.ALL COMPONENTS ARE TO BE PHOSPATED BEFORE ASSY.
- 2.PART NO. 57,3 AND 3001 WILL NOT BE 2.PART OF '96' CODE.
- 3.REFER APPLICABLE QUALITY PROCEDURE IN ALL RESPECTS.
- 4.DRAWINGS REFERED HERE ARE FOR INFORMATION ONLY. DURING MANUFACTURE DRAWINGS WITH LATEST REVISION INDEX ALONE SHOULD BE CONSIDERED.
- 5.ENSURE DIMENSION A,B, C AND D DURING MANUFACTURE, ASSY & INSPECTION..

| S.NO. | DRAWING No. | COMP. CODE | CYLINDER | | OPERATING PLATE ASSY DRAWING NUMBER | SUPP. PLATE ASSY. DRG. | DIMENSIONS FOR CHECKING | | | |
|-------|----------------|--------------|----------|---------------|--|---------------------------|----------------------------|-----|-----|-----|
| | | | SIZE | STROKE 'L' | | | A | B | C | D |
| 01 | 2VL73917506/01 | 964608820000 | 250 | 111 | 3VL73722853 | 3VL77922419 | 343 | 152 | 200 | 74 |
| | | 931221520000 | | | 931222040000 | 3VL78022419 | | | | |
| 02 | 2VL73717506/01 | 964608810000 | 200 | 111 | 3VL73722853 | 3VL77522419 | 330 | 152 | 200 | 64 |
| | | 931221460000 | | | 931222040000 | 3VL77622419 | | | | |
| 03 | 2VL73617506/01 | 964608800000 | 160 | 59 | 3VL73822854 | 3VL77222419 | 246 | 78 | 180 | 57 |
| | | 931221450000 | | 931222050000 | 3VL77122419 | | | | | |
| 04 | 2VL73517506/01 | 964608790000 | 100 | 48 | 3VL73922855 | 3VL76922419 | 197 | 34 | 140 | 100 |
| | | 931221440000 | | | 931222060000 | 3VL77022419 | | | | |

| No OFF | DESCRIPTION | MATL CODE | MATL SPECN | HEAT TREATMENT | SCRAP SORT | NET WT (kg) | GROSS WT (kg) | DRAWING No | ITEM No |
|--------|-------------|-----------|------------|----------------|------------|-------------|---------------|------------|---------|
| | | | | | | | | | |

TYPE OF PRODUCT
OR NAME OF
CUSTOMER/PROJECT

| | | | | | | | |
|--|---|---------------|------|----------------|----------------|------------------|---------------|
| | BHARAT HEAVY ELECTRICALS LTD. UNIT: HIGH PRESSURE BOILER PLANT. TIRUCHIRAPALLI-620014. | | DRN | NAME M.P.S. | SIGN M.P.S. | DATE 24.12.04 | NO.OF VAR. |
| | 365-120 | DEPT V L | CHD | P.R.K. | P.R.K. | 24.12.04 | |
| | CODE 320 | SCALE 3:20 | APPD | S.N.R | S.N.R | 24.12.04 | |

REFERENCE INFORMATIONS

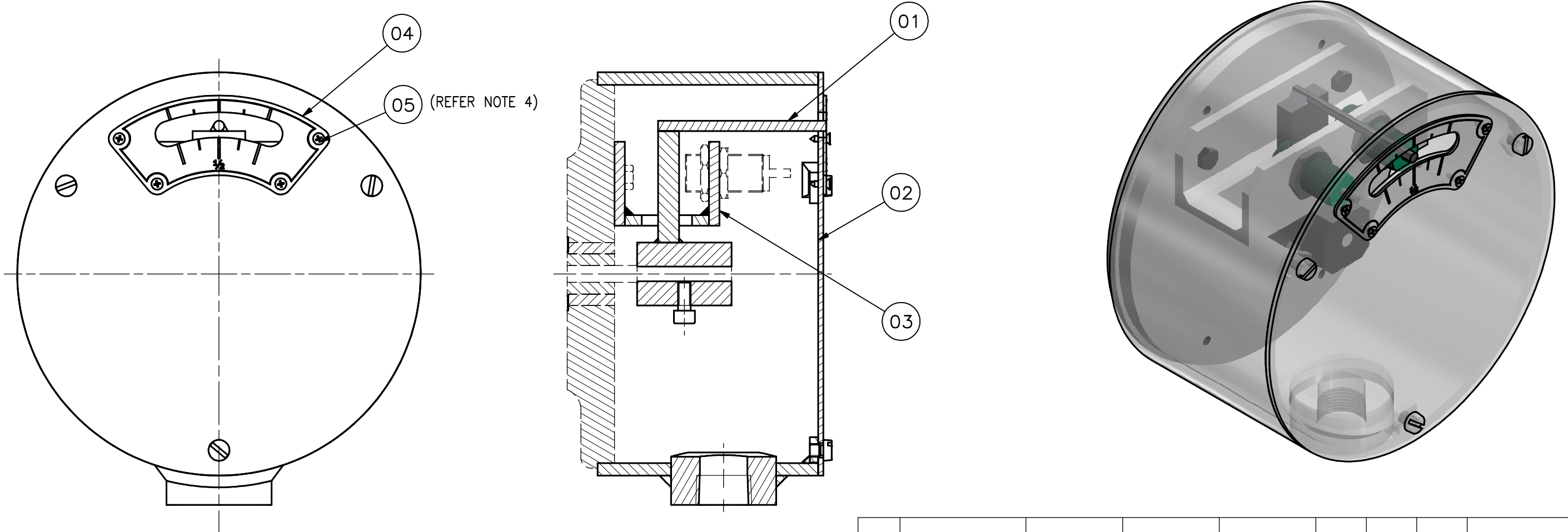
| REV | DATE | ALTERED | P.R.K. |
|-------------------------------|----------|------------|--------|
| 02 | 24.12.04 | CHD & APPD | S.N.R |
| ZONE DRG REDRAWN AND UPDATED. | | | |

| | | | |
|---|-------------------|--------------------------------------|-----------|
| TITLE LIMIT SWITCH BOX ASSY. (FOR RIGHT CYLINDER 2NO+2NC) | CARD CODE U 01 | DRAWING NO. 2-V-0000-17506 | REV 02 |
|---|-------------------|--------------------------------------|-----------|

CAUTION: The information on this document is the property of BHARAT HEAVY ELECTRICALS LTD. It must not be used directly or indirectly in any way detrimental to the interest of the company.

16187-0000-A-3
DRAWING NO.

| Material Code | Final Assy Drawing No. | Indicator (01) | Cover Box (02) | Mounting Bracket (03) | Indicator Plate (04) |
|---------------|------------------------|----------------|----------------|-----------------------|----------------------|
| 964621420000 | 3-V-LC01-28191 | 3-V-LC01-28188 | 3-V-LC01-28189 | 3-V-LC01-28190 | 4-V-LA01-20507 |
| 964621440000 | 3-V-LC02-28191 | 3-V-LC02-28193 | 3-V-LC01-28189 | 3-V-LC01-28190 | 4-V-LA02-20508 |



NOTES:

- ITEMS SHOWN IN DOTTED LINE ARE IN BHEL SCOPE
- MOUNTING BRACKET AND INDICATOR SHALL BE SECURED AND TIED WITH COVER BOX AND PACKED TOGETHER.
- COMPONENTS 01, 02 AND 03 SHALL BE PHOSPHATED
- 4 Nos. HAM. DRIVE SCREW-2.9 X 6.4-IS7519 SHALL BE USED TO ATTACHED INDICATOR PLATE

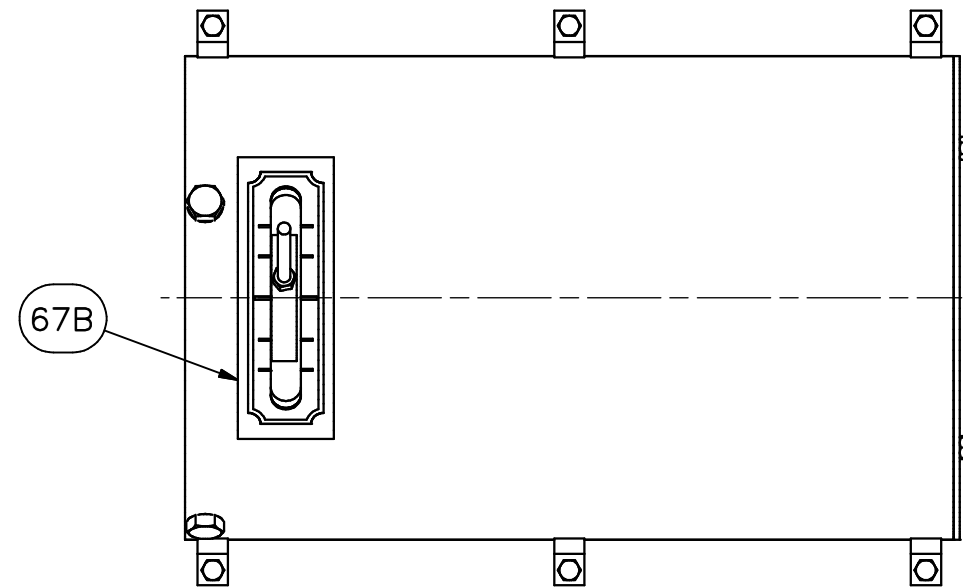
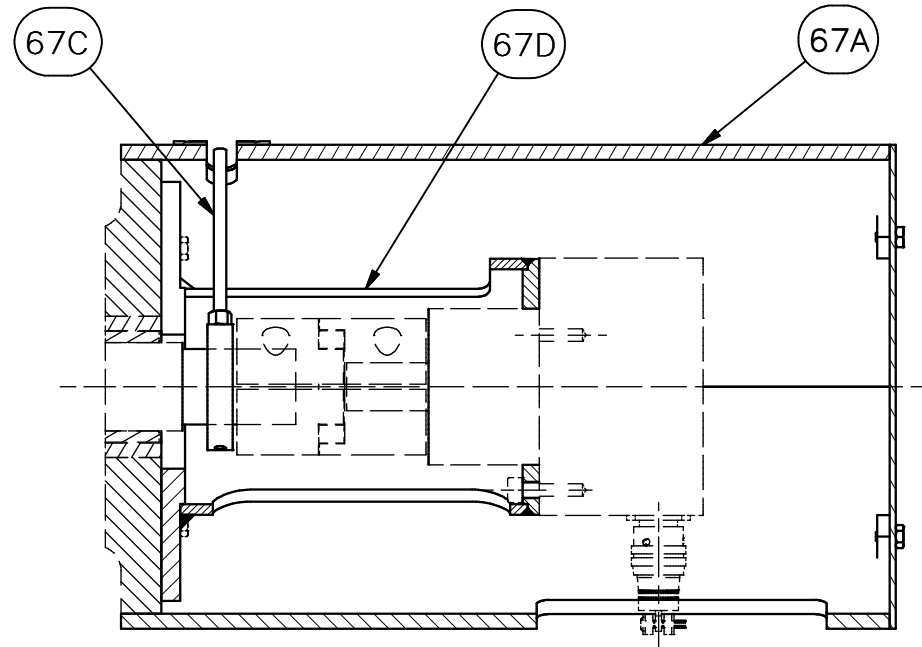
| REV | DATE | ALTERED |
|-----|------|------------|
| | | CHD & APPD |

CAUTION: The information on this document is the property of BHARAT HEAVY ELECTRICALS LTD. It must not be used directly or indirectly in any way detrimental to the interest of the company.

| NO OFF | DESCRIPTION | MATL CODE | MATL SPECN | HEAT TREATMENT | SCRAP SORT | NET WT (kg) | GROSS WT (kg) | DRAWING No | ITEM No |
|--|-----------------|--|----------------------|------------------------------|-------------------------|---------------------------|--|----------------------|--------------------------|
| <p>TYPE OF PRODUCT OR NAME OF CUSTOMER/PROJECT QN</p> | | | | | | | | | |
| | | <p>BHARAT HEAVY ELECTRICALS LTD. UNIT: HIGH PRESSURE BOILER PLANT. TIRUCHIRAPALLI-620014.</p> | | | <p>DRN JALALUDEEN K</p> | <p>CHD JALALUDEEN K</p> | <p>APPD KAVITHA D</p> | <p>DATE 19.03.19</p> | <p>NO.OF VAR.</p> |
| <p>DEPT VL</p> | <p>CODE 320</p> | <p>SCALE</p> | <p>WEIGHT (KG) 5</p> | <p>REFERENCE INFORMATION</p> | | | | <p>NO. OF ITEMS</p> | |
| <p>TITLE SENSOR BOX ASSY FOR CYLINDERICAL PROXIMITY SENSORS</p> | | | | | | <p>CARD CODE U 01</p> | <p>DRAWING NO. 3-V-0000-28191</p> | | <p>REV 00</p> |

3-V-0000-28173
DRAWING NO.

| Material Code | Final Assy Drawing No. | Transmitter Box (67A) | Indicator plate (67B) | Position Indicator (67C) | Adaptor (67D) |
|---------------|------------------------|-----------------------|-----------------------|--------------------------|----------------|
| 964621460000 | 3-V-LA01-28173 | 2-V-LA01-17752 | 4-V-LA01-20502 | 4-V-LA01-20503 | 2-V-L802-17213 |
| 964621470000 | 3-V-LA02-28173 | 2-V-LA01-17752 | 4-V-LA02-20502 | 4-V-LA01-20503 | 2-V-L802-17213 |



NOTES:

- Objects shown in dotted lines are in BHEL scope.
- Indicator Plate to be screwed with the transmitter box and all other loose items are to be tied and packed together.

| NO OFF | DESCRIPTION | MATL CODE | MATL SPECN | HEAT TREATMENT | SCRAP SORT | NET WT (kg) | GROSS WT (kg) | DRAWING No | ITEM No |
|--------|-------------|-----------|------------|----------------|------------|-------------|---------------|------------|---------|
|--------|-------------|-----------|------------|----------------|------------|-------------|---------------|------------|---------|

TYPE OF PRODUCT OR NAME OF CUSTOMER/PROJECT **QN**

| | | | | | |
|---|------|--------------|------|----------|-------------|
| BHARAT HEAVY ELECTRICALS LTD., UNIT: HIGH PRESSURE BOILER PLANT. TIRUCHIRAPALLI-620014. | DRN | JALALUDEEN K | SIGN | DATE | NO. OF VAR. |
| | CHD | JALALUDEEN K | | 08.06.18 | |
| | APPD | KAVITHA D | | 08.06.18 | |

| | | | | | |
|------|-----|-------|--------------|-----------------------|--------------|
| DEPT | VL | SCALE | WEIGHT (KG). | REFERENCE INFORMATION | NO. OF ITEMS |
| CODE | 320 | NTS | 12 | 2-V-0000-17265 | |

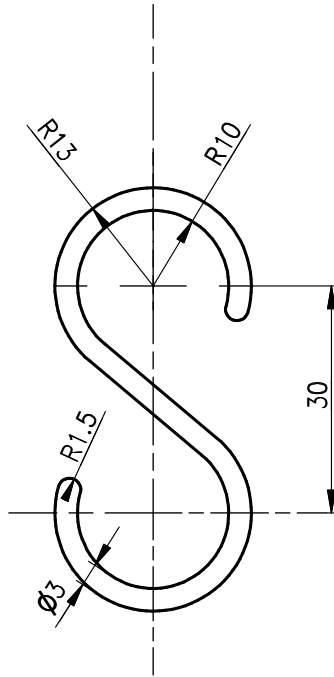
| | | | |
|-----------------------|-----------|----------------|-----|
| TITLE | CARD CODE | DRAWING NO. | REV |
| TRANSMITTER OVER ASSY | U 01 | 3-V-0000-28173 | 00 |

| REV | DATE | ALTERED |
|-----|------|------------|
| | | CHD & APPD |

CAUTION: The information on this document is the property of BHARAT HEAVY ELECTRICALS LTD. It must not be used directly or indirectly in any way detrimental to the interest of the company.


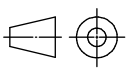
CAUTION: The information on this document is the property of BHARAT HEAVY ELECTRICALS LTD. It must not be used directly or indirectly in any way detrimental to the interest of the company.

| | | |
|---------|---------------|--------------|
| DCP No. | ALTD: VEL | APPD: JALAL |
| | CHD: MADHU | DT: 15.09.23 |
| REV | NOTES UPDATED | |
| 01 | | |
| ZONE | | |



Note:

1. Material shall be any commercial Grade of Steel.
2. Dimensions may be relaxed slightly in case any standard Material available with confirmation from BHEL.

| | | | | | | | | | | | | |
|---|-------------|---|------------|----------------|------------------------|----------------|---------------|------------|----------------|------|----------|------------|
| - | S-HOOK | - | - | - | - | - | - | - | - | | | |
| S.R. NO. | DESCRIPTION | MATL CODE | MATL SPECN | HEAT TREATMENT | SCRAP SORT | NET WT (kg) | GROSS WT (kg) | DRAWING No | ITEM No | | | |
|  BHARAT HEAVY ELECTRICALS LTD. UNIT: HIGH PRESSURE BOILER PLANT. TIRUCHIRAPALLI 620014. | | | | | | | | DRN | NAME | SIGN | DATE | NO. OF VAR |
| | | | | | | | | CHD | Mukesh Kumar | | 01.03.22 | — |
| | | | | | | | | APPD | S.Satheeskumar | | 01.03.22 | |
| DEPT VL | / |  | SCALE | WEIGHT (KG). | REFERENCE INFORMATION | | | | NO. OF ITEMS | | | |
| CODE 320 | | | NTS | 0.010 | Comp.Code:966000870000 | | | | — | | | |
| TITLE | | | | | CARD CODE | DRAWING NO. | | | RE | | | |
| S-HOOK | | | | | U 01 | 4-V-UM20-27545 | | | 01 | | | |



Schedule of deviation

Ref: RCLSBQ2543

| Item Sl. No | Material Code | Material Description | Drawing No/Rev No | Quantity (Nos) | Delivery Period from PO date | Schedule of deviation, if any |
|-------------|---------------|-----------------------------|-------------------|----------------|------------------------------|-------------------------------|
| 1 | 964608710000 | L S BOX ASSY 250CYL111LHS | 2VL67117418/02 | 30 | 8 Weeks | |
| 2 | 964608720000 | L S BOX ASSY 200CYL111LHS | 2VL67317418/02 | 30 | 8 Weeks | |
| 3 | 964608800000 | L S BOX ASSY 160CYL | 2VL73617506/01 | 30 | 8 Weeks | |
| 4 | 964608810000 | L S BOX ASSY 200CYL | 2VL73717506/01 | 30 | 8 Weeks | |
| 5 | 964608820000 | L S BOX ASSY 250CYL RHS | 2VL73917506/01 | 30 | 8 Weeks | |
| 6 | 964621420000 | SENSOR BOX ASSY-LC01 | 3VLC0128191/00 | 30 | 8 Weeks | |
| 7 | 964621460000 | TRANSMITTER COVER ASSY-LA01 | 3VLA0128173/00 | 100 | 8 Weeks | |
| 8 | 964621470000 | TRANSMITTER COVER ASSY-LA02 | 3VLA0228173/00 | 100 | 8 Weeks | |
| 9 | 966000870000 | S-HOOK | 4VUM2027545/01 | 500 | 8 Weeks | |

Seal and Signature of authorized signatory

BHARAT HEAVY ELECTRICALS LIMITED
Tiruchirapalli-620014

Pre-Qualification Requirement for Tender

1. Bidder (OEM / Authorised Reseller / Distributor) shall submit the supply records for items manufactured with each type of materials indicated in the drawings:

- To fulfil this criteria Bidder shall submit previous PO of same or identical items / superior items not more than 5 years old from date of part 1 bid opening.

2. Bidders to provide a Conformance to requirements:

- To fulfil this criteria Bidder to Confirm compliance to all the requirements mentioned in this purchase specification

3. Bidders are requested to detail out the deviations from this specification while submitting the offer. Even If no deviation is taken, vendor shall explicitly mention "No Deviation".

4. Authorised Resellers / Distributors to submit "Authorised Reseller / Distributor certificate" mandatorily

Seal and Signature of authorized signatory

Certificate to be provided on vendor letterhead

DECLARATION

In line with Government Public Procurement Order No. P-45021/2/2017-PP (BE-II) dated 28.05.2018, we hereby certify that we, (supplier name) are local supplier meeting requirement of minimum local content (---%) defined in as above orders for the following Enquiry SI Nos of BHEL Enquiry No **RCLSBQ2543**

- Mention Enquiry SI Nos –

Details of location at which local value addition will be made is as follows:

.....

.....

By issuing this declaration, we understand and are in acceptance to the following-

- False declarations will be in breach of the Code of Integrity under Rule 175(1)(i)(h) of the General Financial Rules for which a bidder or its successors can be debarred for up to two years as per Rule 151 (iii) of the General Financial Rules along with such other actions as may be permissible under law.
- In case of debarment by any procuring entity for violation of the provisions of the Public Procurement (Preference to Make in India), Order 2017 we shall not be eligible for preference for procurement by any other procuring entity for the duration of the debarment. The debarment for such other procuring entities shall take effect prospectively from the date on which it comes to the notice of other procurement entities, the debarment takes effect prospectively from the date of uploading on the website(s) of The Department of Expenditure, GOI in such a manner that ongoing procurements are not disrupted.
- We undertake the onus of responsibility of submission of appropriately certified documents. We understand that BHEL is not at liability to verify the contents and will not be responsible for the declaration made by us. However, in case BHEL has any reason to doubt the authenticity of the local content, BHEL reserves the right to obtain the complete back up calculations before award of contract and we are liable to submit the same if requested by BHEL. We also understand that our bid is liable for rejection in case we fail to submit the details as requested by BHEL.

Date

Seal and Signature of authorized signatory



BHARAT HEAVY ELECTRICALS LTD

VALVES PURCHASE

Trichy - 620 014, India

GENERAL TERMS AND CONDITIONS

Enquiry Reference: RCLSBQ2543

1. QUOTATIONS:

- a. BID system:** Offers are invited in any one of the below formats. The No. of bids to be submitted is mentioned in "Confirmation to the Terms and Conditions" attached.
- Two part bid:** The offers are invited in Two part bid system (Part I will be Techno-commercial bid and part II will be Price Bid). Techno-commercially suitable vendors alone will be intimated for price bid opening.
 - Single part bid:** The offers are invited in Single part bid system (Price Bid alone). The vendor shall confirm to all of BHEL's technical & commercial conditions.

b. Submission of offer:

- Offer called through e-Procurement mode:** The bidder shall submit the bid online in BHEL e-Procurement portal at

<https://eprocurebhel.co.in/nicgep/app>

The bidder would be required to register on the above e-procurement portal for submitting their bids. Offers through email and hardcopy are not acceptable.

- ~~Offer called through Non e-Procurement mode:~~ Each part of offer should be sent in a double cover separately and the same should be sealed and super scribed with details such as enquiry reference, name of the vendor, item of supply and due date of opening. Two or more quotations should not be sent in one cover. Price Bid should contain only "Price per unit" for each type. Offer should be sent to the below mentioned address:

The Tender Opening Cell / Valves
Room No.-26, Building-24
Bharat Heavy Electricals Limited
Tiruchirappalli-620014, Tamil Nadu, India
Or
Email ID: tender_cell@bhel.in

- ~~Late offers:~~ Offer received after 2.00 pm on due date will be considered as Late offers. Late offers will not be considered under any circumstance.
- Regulations:** Offers should be free from correction and erasures. Corrections if any must be attested. All amounts shall be indicated both in words as well as figures. In case of a difference between the amount quoted in words and figures, the amount quoted in words shall prevail.
- PVC:** Price Variation clause not acceptable. Prices should be firm.
- Catalogue:** Manufacturer's name, Trade Mark or Patent No. if any should be specified. Illustrative leaflets giving technical particulars are required along with quotation.
- Samples:** Samples should be submitted separately, if specially requested in tender, before the due date of the enquiry. They should be clearly marked with the enquiry reference and date on the enclosing cover to facilitate identification.
- GST Number:** GST registration number, HSN number (Item wise) with applicable taxes should be mentioned in the offer. If the vendor is not GST registered the offer is liable for rejection.
- Deviation.** Any deviations from the specification are to be furnished separately as "Schedule of Deviation". If there is no deviation, vendor should indicate "No Deviation" in the offer.
- Confirmation:** Confirmation for compliance is to be given in the offer for all the techno commercial conditions specified in the tender.



BHARAT HEAVY ELECTRICALS LTD

VALVES PURCHASE
Trichy - 620 014, India
GENERAL TERMS AND CONDITIONS

Enquiry Reference: RCLSBQ2543

2. COMMERCIAL TERMS & CONDITIONS:

a. Terms of Payment:

If the materials are receivable at BHEL Stores, Trichy:

Indigenous Supplier (Non-MSME):

Payment term is 100% direct Payment on 90th day from day from Vehicle/Gate entry date.

(or)

Payment term is 100% direct payment on 90th day from Vehicle/Gate entry date and against 10% PBG valid for the warranty period. (if PBG is applicable)

Indigenous Supplier (Medium Enterprise):

Payment term is 100% direct Payment on 60th day from day from Vehicle/Gate entry date.

(or)

Payment term is 100% direct payment on 60th day from Vehicle/Gate entry date and against 10% PBG valid for the warranty period. (if PBG is applicable)

Indigenous Supplier (MSE): 100% payment on 45th day from Vehicle/Gate entry date

If the materials are receivable at site:

Indigenous Supplier (Non-MSME):

Payment term is 100% direct payment on 90th day from the date of dispatch against site acknowledgement (if PBG is applicable)

(or)

Payment term is 100% direct payment on 90th day from the date of dispatch against site acknowledgement and against 10% PBG valid for the warranty period (if PBG is applicable)

Indigenous Supplier (Medium Enterprise):

Payment term is 100% direct payment on 60th day from the date of dispatch against site acknowledgement (if PBG is applicable)

(or)

Payment term is 100% direct payment on 60th day from the date of dispatch against site acknowledgement and against 10% PBG valid for the warranty period (if PBG is applicable)

Indigenous Supplier (MSE): Payment will be as per MSMED Act, 2006.

100% direct EFT Payment on 45th day from the date of dispatch against site acknowledgement and against 10% PBG valid for the warranty period (if PBG is applicable)

For Foreign Suppliers: Payment term is 100% payment on CAD basis after 60 days from the date of receipt of documents, specified in PO, at BHEL bank. Respective bank charges to respective account.

~~If supplier insists for LC, only Usance LC with 60 days' credit will be opened, one month prior to material readiness, Further loading will be considered @ 1.5% on the offered value. Hence, supplier shall intimate the material readiness accordingly for opening LC. LC validity period will be 90 days and for any extension, applicable charges will be to suppliers account.~~

~~Any deviation in the above payment terms, any other conditions in payment terms or any other payment terms will not be accepted and offers will not be considered.~~



BHARAT HEAVY ELECTRICALS LTD

VALVES PURCHASE

Trichy - 620 014, India

GENERAL TERMS AND CONDITIONS

Enquiry Reference: RCLSBQ2543

For New Suppliers: For new suppliers not registered with BHEL, Trichy for the product, payment shall be made 60 days after receipt and acceptance of materials.

~~In case of foreign supplier, first lot of mutually agreed quantities shall be supplied with payment as CAD basis after 60 days from the date of receipt and acceptance of material. If insisted for LC after acceptance of first lot, only usance LC with 60 days' credit will be opened one month prior to material readiness.~~

b. Liquidated Damage:

Liquidated damages shall be 0.5% of the undelivered portion per week of the delay or part thereof subject to a maximum of 10% of the total order value. **Vehicle/Gate entry date** will be reckoned for the purpose of LD calculation.

Any deviation from the above LD clause, loading will be applied to the extent to which it is not agreed by the bidder (at offered value).

c. Delivery Terms:

For Indigenous Suppliers: FOR BHEL Trichy inclusive of freight and insurance

For Foreign Suppliers: CFR/CIF Chennai seaport as per Incoterms 2010.

- d. **Validity of Offer:** Prices should be fixed and should be valid for period as mentioned in the "Confirmation to the Terms and Conditions" attached.
- e. **Delivery period:** Delivery schedule will be as mentioned in the "Confirmation to the Terms and Conditions" attached.
- f. **Guarantee period:** The vendor shall give a guarantee for the performance of his supplies for a period of **eighteen months** from the date of dispatch or **twelve months** from the date of commissioning whichever is earlier.
- g. **Miscellaneous:** Any conditions which might have been quoted by the seller and are in contravention to the terms of PO and which have not been specifically accepted by Purchaser will not be applicable to the contract/PO.
- h. **Performance Bank Guarantee:** If tender calls for Performance Bank Guarantee, vendor should provide a performance bank guarantee (PBG) in BHEL format for 10% of the total Purchase order value valid for warranty/guarantee period with an additional claim period of 2 months. PBG should be issued from list of consortium banks.
- i. **Counter Offering:** If counter offering is applicable for the enquiry, the L1 rates will be counter-offered to other eligible vendors as per below points
- In case there are only two qualified offers for any item, the L1 rate will be counter-offered to the L2 vendor.
 - In case of more than two qualified offers for any item, the L1 rates will be counter-offered to maximum (n-1) vendors (where 'n' is the no. of techno-commercially qualified vendors) or the no. of vendors required (as mentioned in the "Confirmation to the Terms and Conditions" attached), whichever is lower.
 - In case a lower ranked vendor does not accept the counter-offered rates, the rates may be offered to next higher ranked vendor.
 - The manner of splitting of the enquiry quantity across L1 and counter-offer accepted vendors will be as per the ratios mentioned in the "Confirmation to the Terms and Conditions" attached.

3. COMPLIANCE / ACCEPTANCE REQUIRED FOR FOLLOWING POINTS TO ENSURE INPUT TAX CREDIT

Indigenous suppliers:



BHARAT HEAVY ELECTRICALS LTD

VALVES PURCHASE

Trichy - 620 014, India

GENERAL TERMS AND CONDITIONS

Enquiry Reference: RCLSBQ2543

GOODS & SERVICE TAX (GST) REGISTRATION & COMPLIANCE

- a. Response to Tenders for Indigenous supplier will be entertained only if the vendor has a valid GST registration Number (GSTIN) which should be clearly mentioned in the offer. If the dealer is exempted from GST registration, a declaration with due supporting documents need to be furnished for considering the offer. Dealers under composition scheme should declare that he is a composition dealer supported by the screen shot taken from GSTN portal. The unregistered dealer as well as the composition dealer has to submit an undertaking stating that they will not claim GST during the execution of the contract even if their status under GST changes to regular tax payer. The dealer has to submit necessary documents if there is any change in status under GST.
- b. Supplier shall mention their GSTIN in all their invoices (incl. credit Notes, Debit Notes) and invoices shall be in the format as specified/prescribed under GST laws. Invoices shall necessarily contain Invoice number (in case of multiple numbering system is being followed for billing like SAP invoice no, commercial invoice no etc., then the Invoice No. which is linked/uploaded in GSTN network shall be clearly indicated), Billed to party (with GSTIN) & Shipped to party details, item description as per PO, Quantity, Rate, Value, applicable taxes with nomenclature (like IGST, SGST, CGST & UTGST) separately, HSN/ SAC Code, Place of Supply etc. Wherever E-Invoice is applicable, the tax invoice/ CN / DN submitted by the vendor must contain the QR code generated in E-Invoice Portal & IRN.
- c. All invoices shall bear the HSN Code for each item separately (Harmonized System of Nomenclature)/ SAC code (Services Accounting Code)
- d. Invoices will be processed only upon completion of statutory requirement and further subject to following:
 - a. Vendor declaring such invoice in their GSTR-1 Return/ IFF
 - b. Receipt of Goods or Services and Tax invoice by BHEL
- e. As the continuous uploading of tax invoices in GSTN portal (in GSTR-1/ IFF) is available for all (i.e. both Small & Large) tax payers, all invoices raised on BHEL may be uploaded immediately in GST portal on dispatch of material /rendering of services. The supplier shall ensure availability of Invoice in GSTN portal before submission of invoice to BHEL. Invoices will be admitted by BHEL only if the invoices are available in GSTN portal (in BHEL's GSTR-2A & GSTR-2B).
- f. In case of discrepancy in the data uploaded by the supplier in the GSTN portal or in case of any shortages or rejection in the supply, then BHEL will not be able to avail the tax credit and will notify the supplier of the same. Supplier has to rectify the data discrepancy in the GSTN portal or issue credit note or debit note (details also to be uploaded in GSTN portal) for the shortages or rejections in the supplies or additional claims, within the calendar month informed by BHEL.
- g. In cases where invoice details have been uploaded by the vendor but failed to remit the GST amount to GST Department (Form PMT-06 or GSTR-3B to be filed) within stipulated time, then GST paid on the invoices pertaining to the month for which GST amount not remitted by the vendor will be withheld from other payments of the vendor / recovered from the vendor.



BHARAT HEAVY ELECTRICALS LTD

VALVES PURCHASE

Trichy - 620 014, India

GENERAL TERMS AND CONDITIONS

Enquiry Reference: RCLSBQ2543

- h.** In case GST credit is denied to BHEL due to non-receipt or delayed receipt of goods and/ or tax invoice or expiry of timeline prescribed in GST law for availing such ITC, or any other reasons not attributable to BHEL, GST amount claimed in the invoice shall be disallowed to the vendor.
- i.** Where any GST liability arising on BHEL under Reverse Charge (RCM), the vendor has to submit the invoices to BHEL well within the timeline prescribed in GST Law, to enable BHEL to discharge the GST liability. If there is a delay in submission of invoice by the vendor resulting in delayed payment of GST by BHEL along with Interest, then such Interest payable or paid shall be recovered from the vendor.
- j.** GST TDS will be deducted as per Section 51 of CGST Act 2017 and in line with Notification 50/2018- Central Tax dated 13.09.2018. GST TDS certificate will be generated in GSTN portal subsequent to vendor accepting the TDS deduction in the GSTN portal & the vendor can directly download the Certificate from the GSTN Portal
- k.** In case of orders for supply of goods, the vendor must submit the E-Way Bill (with Part-B filled) generated in the E-Way Bill portal, used for transportation of goods for the respective tax invoice.

4. SPECIAL PROVISIONS FOR MICRO AND SMALL ENTERPRISES (MSE):

- a.** 25% of the tendered quantity is earmarked for MSE suppliers (**Manufacturers only**) in this tender.
- b.** If L1 vendor (or) Counter offer accepted vendor/s is from a Micro / Small enterprise which put together covers 25% of the total tendered quantum, the 25% earmarking provision is not applicable.
- c.** Out of the 25% tendered quantity reserved for MSE suppliers, 6.25% shall be earmarked for procurement from MSE owned by SC / ST entrepreneurs. In the event of failure of such Micro and Small enterprises to participate in the tender process or meet the tender requirements and the L1 price, the 6.25% sub-target for procurement ear-marked MSE owned by SC / ST entrepreneurs shall be met with other MSE enterprise/s.
- d.** 3% reservation for women owned MSEs within the above mentioned 25% reservation. In the event of failure of such Micro and Small enterprises to participate in the tender process or meet the tender requirements and the L1 price, the 3% sub-target for procurement ear-marked MSE owned by women entrepreneurs shall be met with other MSE enterprise/s. The definition for MSEs owned by Women Entrepreneurs is clarified as:
 - i.** In case of proprietary MSE, proprietor shall be woman.
 - ii.** In case of partnership MSE, the women partners shall be holding at least 51% share in the unit.
 - iii.** In case of private limited companies, at least 51% share shall be held by the women promoters.
- e.** In case MSE vendor participating in the tender quotes within the price band of L1 +15%, they will be allowed to supply the portion of the requirement subject to acceptance of L1 price by MSE vendor. In case of more than one such MSE, the supply shall be shared proportionately, provided the available quantum can be split.
- f.** In a tender where both MSE and Non-MSE Vendors have participated and non-MSE Vendor has become the lowest bidder and the quantum envisaged in the tender cannot be split, then the MSE vendor will be given preference for ordering the 100% quantum provided the MSE vendor quoted price is within L1 + 15%, and if the MSE vendor accepts the L1 rate.
- g.** MSE suppliers can avail the intended benefits only if,
The vendor submits along with offer, a copy of the UDYAM certificate (Micro or small).
Definitions of MSEs owned by SC/ST is under:
 - i.** In case of proprietorship firm, proprietor must be SC/ST.
 - ii.** In case of partnership firm, the SC/ST partners must be holding at least 51% shares in the unit.
 - iii.** In case of private limited companies, at least 51% share must be held by SC/ST promoters.



BHARAT HEAVY ELECTRICALS LTD

VALVES PURCHASE

Trichy - 620 014, India

GENERAL TERMS AND CONDITIONS

Enquiry Reference: RCLSBQ2543

- iv. The caste/Tribe/Community certificate issued by the following authorities in the prescribed form for SCs/STs can be considered.
- h. Authorized to Issue SC/ST certificate:
 - i. District Magistrate/Additional District Magistrate/Collector/Deputy commissioner/Additional Deputy Commissioner/Deputy collector/1st class stipendiary magistrate/Sub divisional Magistrate/Taluka Magistrate/Executive magistrate/Extra Assistant commissioner.
 - ii. Chief Presidency magistrate/Additional chief presidency magistrate/Presidency magistrate.
 - iii. Revenue Officer not below the rank of tehsildar.
 - iv. Sub-Divisional officer of the area where the individual and / or his family normally resides.
- i. To avail the benefits of MSE under SC/ST category, the related documents as stated above should be submitted along with tender documents.

5. GENERAL CONDITIONS

- a. The manner of finalization will be as mentioned in the "Confirmation to the Terms and Conditions" attached. Separate orders will be released for each project and documents should be supplied for each order separately.
- b. BHEL reserves the right to reduce the tender quantity and to NOT to order for some or all material based on the changes in project.
- c. BHEL shall have the right to visit vendor works during the execution of contract along with end customer for verifying status, inspection and testing of the material.
- d. BHEL reserves the right to negotiate or re-float the tender in case the quoted prices are not acceptable.
- e. Supplier shall arrange packing to avoid lose or damages during Road Transport, Site handling & Storage.
- f. BHEL reserves the right to reject the offer of a particular bidder due to unsatisfactory past performance in the execution of a contract at any of BHEL projects / units.
- g. The Drawings and Technical documents given in this enquiry are the sole property of BHEL. This should not be misused in any form.
- h. Purchase Order, PO Item serial number, Material code, Quantity should be clearly marked on the packing
- i. Confirmation for compliance is to be given in the offer for all the conditions specified above and to the respective Purchase Specification.
- j. The bidder along with its associate/collaborators/sub-contractors/sub-vendors/consultants/service providers shall strictly adhere to BHEL fraud prevention policy (refer www.bhel.com) and shall immediately bring to the notice of the BHEL management about any fraud or suspected fraud as soon as it comes to their notice.
- k. Preference to Make In India products (For bids < 200 Crore): Preference shall be given to Class 1 local supplier as defined in public procurement (Preference to Make in India), Order 2017 as amended from time to time and its subsequent Orders/Notifications issued by concerned Nodal Ministry for specific Goods/Products. The minimum local content to qualify as a Class 1 local supplier is denoted in the bid document. If the bidder wants to avail the Purchase preference, the bidder must upload a certificate from the OEM regarding the percentage of the local content and the details of locations at which the local value addition is made along with their bid, failing which no purchase preference shall be granted. In case the bid value is more than Rs 10 Crore, the declaration relating to percentage of local content shall be certified by the statutory auditor or cost auditor, if the OEM is a company and by a practicing cost accountant or a chartered accountant for OEMs other than companies as per the **Public Procurement (preference to Make-in -India) order 2017 dated 04.06.2020**. Only Class-I and Class-II Local suppliers as per MII order dated 4.6.2020 will be eligible to bid. **Non - Local suppliers as per MII order dated 04.06.2020** are not eligible to participate. However, eligible micro and small enterprises will be allowed to participate. In case



BHARAT HEAVY ELECTRICALS LTD

VALVES PURCHASE

Trichy - 620 014, India

GENERAL TERMS AND CONDITIONS

Enquiry Reference: RCLSBQ2543

Buyer has selected Purchase preference to Micro and Small Enterprises clause in the bid, the same will get precedence over this clause.

- l.** The bidder declares that they will not enter into any illegal or undisclosed agreement or understanding, whether formal or informal with other Bidder(s). This applies in particular for prices, specifications, certifications, subsidiary contracts, submission or non-submission of bids or any other actions to restrict competitiveness or to introduce cartelization in the bidding process. In case, the Bidder is found having indulged in above activities, suitable action shall be taken by BHEL as per extant policies/ guidelines.
- m.** Any change in applicable rates of Tax or any other statutory levies (Direct / Indirect) or any new introduction of any levy by means of statute and its corresponding liability for the deliveries beyond the agreed delivery date for reasons not attributable to BHEL will be to vendors account. BHEL will not reimburse the same and any subsequent claim in this respect will be summarily rejected.

6. DOCUMENTATION:

- a. With Consignment:** Duplicate for transporter copy, Original Invoice, Packing List, Delivery Challan, O&M manual (if applicable) Material Test Certificate, Test Certificates, Compliance Certificate, Guarantee/Warranty Certificate and other documents mentioned in PO/TDC/Drawing.
- b. To Purchase:**
 - i.** FOR BHEL TRICHY case- Original Invoice, Duplicate for transporter copy, Packing list, LWB and Delivery challan, GST declaration as mentioned in point 3c.
 - ii.** FOR Site case- Original Invoice, Original LWB, Original Packing List, Original IBR documents, Original despatch clearance Certificate and Inspection report, Test certificates as per PO, Original Site Acknowledgment etc.
- c. Identification:** Material code, Purchase Order, PO item serial number, Unique serial number if any should be provided in all despatch documents, materials and packing clearly.

7. TENDER EVALUATION:

- a. Techno-commercial Bid.**
 - i.** All vendors should submit General arrangement drawing, datasheet and C&I diagram (if any) of the offered product
 - ii.** Point by point technical confirmation of all pages of our technical specifications and commercial conditions are required with your sign and seal along with techno commercial offer.
 - iii.** Offers from supplier not having technical capability or not agreed for commercial terms, are liable for rejection.
- b. Price Bid.**
 - i.** Bidders qualified for part I will be intimated for participating in priced bid opening.
 - ii.** L1 bidder will be decided based on landed cost for the equipment to BHEL.

Indigenous Vendors

Total Landed cost/rate for each item = FOR Rate in INR (A) + Applicable Taxes (B) + Loading non-acceptance of commercial terms (C) – Applicable input tax credit (D)

A -Indigenous vendors submit offers on Free on Road (FOR), Stores, HPBP BHEL Trichy in INR.

B -Applicable GST and any other charges quoted by indigenous vendors will be added to the base price.

C -Loading for non-acceptance of payment terms, delivery schedule & liquidated damages (LD) will be added to the F.O.R. value for arriving the landed rate.



BHARAT HEAVY ELECTRICALS LTD

VALVES PURCHASE

Trichy - 620 014, India

GENERAL TERMS AND CONDITIONS

Enquiry Reference: RCLSBQ2543

D -However, input tax credit shall be availed for GST, hence the same is excluded for arriving at the landed cost.

Foreign Vendors

Total Landed cost = CFR Rate in INR (A) + Applicable Duties (B) + Incidental Charges (C) + Loading for Container Shipment (D) + Loading for non-acceptance of commercial terms (E)

A - Foreign vendors to submit offers on CFR (Cost & Freight), Chennai port (LILLO – Liner In; Liner Out) basis per item wise in foreign currency, which will be converted to INR by multiplying with the Exchange rate (SBI TT Selling rate) as on the technical bid opening date. If the date of opening happens to be a bank holiday, then the forex rate as on previous bank (SBI) working day shall be taken.

B - Customs duty, Safe guard duty (as per the notification No 02/2014-Customs (SG) dated 13th August 2014) and antidumping duty (as per the notification No 18/2016-Customs (ADD) dated 17.05.2016) as if applicable will be added to the INR price.

C - Incidental charges will be added to the CFR Value. The incidental charge is inclusive of port handling charges, & freight charges for movement from Chennai port to BHEL, Trichy.

D - In case of shipment through containers, if 14 free days for Container detention is not provided in the offer, a loading of 22% on the freight rate per MT shall be considered by BHEL for arriving at the Total Landed Cost.

E - Loading for non-acceptance of payment terms, delivery schedule & Liquidated Damages (LD) will be added to the CFR value for arriving at the landed cost.

iii. In case of tie for the L1 positions,

- In the course of evaluation, if more than one bidder happens to occupy L1 status, effective L1 will be decided by soliciting discounts from respective L1 bidders.
- In case more than one bidder happens to occupy the L1 status even after soliciting discounts, the L1 bidder shall be decided by a toss/draw of lots, in the presence of the respective L1 bidders(s) or their representative(s).
- Ranking will be done accordingly, BHEL's decision in such situation shall be final and binding.

iv. If counter-offer is applicable and before counter offer process, if there is tie for ranking position other than L1 in respective enquiry items, then Lot shall be done to break the tie. Based on the outcome of LOT, subsequent tender ranking will be revised. Load distribution shall be based on revised ranking. The LOT process to break tie in tender ranking will be based on random number generation in MS-Excel sheet.

Tie breaking procedure has been explained below with an example:

There is an item (item sl. no. 210) for which tie breaking has to be conducted. Hence, the lot will be based on random number generation in MS-Excel sheet.

- Item wise excel sheet in which all ranks for which tie is present shall be opened.
- Random number shall be generated against each entry in the excel sheet. Once random number is generated, the values will be frozen against each entry.
- The rank order shall be sorted in the following manner.
Sorting -> 1. Item -> 2. Actual rank -> 3. Random number wise (from lowest to highest).
Once sorting is done, each vendor shall be ranked as per the sorting order.

• Illustration:

Step-1: Before Sorting:

| Item No. | Vendor code | ORIGINAL Rank before CO |
|----------|-------------|-------------------------|
|----------|-------------|-------------------------|



BHARAT HEAVY ELECTRICALS LTD

VALVES PURCHASE

Trichy - 620 014, India

GENERAL TERMS AND CONDITIONS

Enquiry Reference: RCLSBQ2543

| | | |
|-----|---|-----|
| 210 | A | L01 |
| 210 | B | L02 |
| 210 | C | L03 |
| 210 | D | L03 |
| 210 | E | L04 |
| 210 | F | L05 |
| 210 | G | L05 |
| 210 | H | L06 |

Step-2: After random number generation

| Item No. | Vendor code | ORIGINAL Rank before CO | Random Number |
|----------|-------------|-------------------------|---------------|
| 210 | A | L01 | 0.639156 |
| 210 | B | L02 | 0.931402 |
| 210 | C | L03 | 0.560449 |
| 210 | D | L03 | 0.507298 |
| 210 | E | L04 | 0.621819 |
| 210 | F | L05 | 0.620683 |
| 210 | G | L05 | 0.504936 |
| 210 | H | L06 | 0.793407 |

Step-3: Final sorting and revised ranking:

| Item No. | Vendor code | ORIGINAL Rank before CO | Random Number | Final Revised Rank |
|----------|-------------|-------------------------|---------------|--------------------|
| 210 | A | L01 | 0.639156 | L01 |
| 210 | B | L02 | 0.931402 | L02 |
| 210 | D | L03 | 0.507298 | L03 |
| 210 | C | L03 | 0.560449 | L04 |
| 210 | E | L04 | 0.621819 | L05 |
| 210 | G | L05 | 0.504936 | L06 |
| 210 | F | L05 | 0.620683 | L07 |
| 210 | H | L06 | 0.793407 | L08 |

Final revised ranking shall be intimated to vendors. Final revised ranking shall be worked out based on the result of tie-breaking and counter offering process shall be based on the final revised ranking.

L1 rate shall be counter offered to eligible Vendors in respective enquiry items in order of the distinct ranking arrived after tie-breaking process has been concluded.

8. Reverse Auction

"BHEL shall be resorting to Reverse Auction (RA) (Guidelines as available on www.bhel.com) for this tender. RA shall be conducted among the techno-commercially qualified bidders.



BHARAT HEAVY ELECTRICALS LTD

VALVES PURCHASE

Trichy - 620 014, India

GENERAL TERMS AND CONDITIONS

Enquiry Reference: RCLSBQ2543

Price bids of all techno-commercially qualified bidders shall be opened and same shall be considered for RA. In case any bidder(s) do(es) not participate in online Reverse Auction, their sealed envelope price bid along with applicable loading, if any, shall be considered for ranking."

Reverse Auction Process:

Reverse Auction will be conducted if two or more bidders are techno-commercially qualified. In case of two or three qualified bidders, there shall be no elimination of H1 bidder (whose quote is highest in sealed envelope price bid). In case of four qualified bidders, the H1 bidder shall be eliminated whereas in case of five qualified bidders, H1 & H2 bidders shall be eliminated. However, in case of six or more qualified bidders are available, RA would be conducted amongst first 50% of the bidders arranged in the order of prices from lowest to highest. Number of bidders eligible for participating in RA would be rounded off to next higher integer value if number of qualified bidders is odd (e.g. if 7 bids are qualified, then RA will be conducted amongst lowest four bidders). However, there will be no elimination of qualified bidders who are MSE or qualifying under PPP-MII, Order 2017, provided their bids are within their respective margin of purchase preference {presently 15% for MSEs and 20% for PPP-MII, or as amended from time to time}.

In case of multiple H1 bidders, all H1 bidders (except MSEs and bidders qualifying under PPP-MII, Order 2017, who are within the margin of purchase preference) shall be removed provided minimum two bidders remain in fray, else no H1 removal.

9. ARBITRATION & CONCILIATION:

Except as provided elsewhere in this Contract, in case amicable settlement is not reached between the Parties, in respect of any dispute or difference; arising out of the formation, breach, termination, validity or execution of the Contract; or, the respective rights and liabilities of the Parties; or, in relation to interpretation of any provision of the Contract; or, in any manner touching upon the Contract, then, either Party may, by a notice in writing to the other Party refer such dispute or difference to the sole arbitration of an arbitrator appointed by Head of the BHEL, Trichy.

The Arbitrator shall pass a reasoned award and the award of the Arbitrator shall be final and binding upon the Parties.

Subject as aforesaid, the provisions of Arbitration and Conciliation Act 1996 (India) or statutory modifications or re-enactments thereof and the rules made thereunder and for the time being in force shall apply to the arbitration proceedings under this clause. The seat of arbitration shall be at BHEL premises, Trichy.

The cost of arbitration shall be borne as per the award of the Arbitrator.

Subject to the arbitration in terms of Clause above, the Courts at TRICHY shall have exclusive jurisdiction over any matter arising out of or in connection with this Contract.

Notwithstanding the existence or any dispute or differences and/or reference for the arbitration, the Contractor shall proceed with and continue without hindrance the performance of its obligations under this Contract with due diligence and expedition in a professional manner except where the Contract has been terminated by either Party in terms of this Contract.

In case of Contract with Public Sector Enterprise (PSE) or a Government Department, the following shall be applicable:

In the event of any dispute or difference relating to the interpretation and application of the provisions of the Contract, such dispute or difference shall be referred by either Party for arbitration to the sole arbitrator in the Department of Public Enterprises to be nominated by the Secretary to the Government of India in-charge of the Department of Public Enterprises. The Arbitration and Conciliation Act, 1996 shall not be applicable to arbitration under this clause. The award of the arbitrator shall be binding upon the Parties to the dispute,



BHARAT HEAVY ELECTRICALS LTD

VALVES PURCHASE

Trichy - 620 014, India

GENERAL TERMS AND CONDITIONS

Enquiry Reference: RCLSBQ2543

provided, however, any Party aggrieved by such award may make further reference for setting aside or revision of the award to the Law Secretary, Department of Legal Affairs, Ministry of Law and Justice, Government of India. Upon such reference the dispute shall be decided by the Law Secretary or the Special Secretary or Additional Secretary when so authorized by the Law Secretary, whose decision shall bind the Parties hereto finally and conclusively. The Parties to the dispute will share equally the cost of arbitration as intimated by the Arbitrator.

10. IMPORTANT INFORMATION FOR FOREIGN SUPPLIERS:

- a. Port of loading should be indicated in the offer without fail.
- b. Port of discharge should be Chennai Sea/Air Port, India.
- c. The preferred shipment mode "Containerized Cargo or Break Bulk" shall be specified clearly in the offer.
- d. **In case of CFR INCO TERMS - CONTAINERIZED CARGO**
 - i. In case of CFR terms, moved through CONTAINERS (Suppliers should clearly specify this in their offer) it would be presumed by BHEL that the freight charges quoted is on LILO (LINER IN LINER OUT) basis including extra charges, if any, like Container Imbalance Charges, Trade Imbalance charges or any other charges payable to the Liner. No other charges other than the quoted Freight rate will be paid by BHEL excepting applicable Terminal Handling Charges, Container cleaning Charges, DO charges to Shipping Liner at Discharge Port. 14 FREE DAYS for Container detention shall be provided. If any deviation is taken by Tenderer, a loading of 22% on the freight rate per MT shall be considered by BHEL for arriving at the Total Landed Cost.
 - ii. In case of shipment through Containers on CFR basis, the BL should bear the endorsement that "14 free days for Container Detention is applicable".
- e. **In case of CFR INCO TERMS - BREAKBULK CARGO:** In case of CFR terms, moved through BREAK BULK BASIS (Suppliers should clearly specify this in their offer) it would be presumed by BHEL that the freight charges quoted is on LILO (LINER IN LINER OUT) basis. The materials will be Custom cleared from Port itself.
 - i. The Indian Customs imposed, a penalty on late filing of Bill of Entries (Air/Sea Shipments) by the importer. The maximum free time allowed is 24 hrs from the time of arrival of cargo at final port of discharge. Rs.5000/- per day (for Initial 03 days) & Rs.10000/- per day (thereafter)
 - ii. The vendor should furnish the Non-Negotiable Documents (Air Way Bill/Bill of Lading, Commercial Invoice, Packing List, and Certificate of Origin) either by email or post/courier to BHEL well before the landing of cargo at final port of discharge.
 - iii. Vendor will be held responsible for the penalty arises against the late filing of Bill of entry due to:
 - a. Non availability of Non-Negotiable Documents (NNDs) before the cargo arrival
 - b. Discrepancy in documents
 - c. Short landing of Consignments (For shipments on CFR/CPT/CIF/CIP - Chennai Port)
 - iv. All the shipments for the contracts (POs) finalized on CFR -Chennai Port basis
 - a. Delivery Orders involving multiple agencies like liners/freight forwarders are not allowed. There must be a single agency office at the final discharge Port (Chennai) for issuing the Delivery Order to BHEL.
 - b. The detention/demurrage charges arise due to the delay in collection of Delivery Orders from multiple agencies of liner/freight forwarder also whose offices are not at available Chennai, the same amount will be deducted from Vendor's bills only.
 - c. Apart from the normal charges like Terminal Handling Charges, Container cleaning Charges, Delivery Order Charges at final port of discharge no other charges will be borne by BHEL.
 - d. The liner/freight forwarders should be properly communicated by the Vendor for not to claim such charges for issuing Delivery Order. If the liner/freight forwarder claims such charges in their invoices, the same amount will be deducted from the Vendor bills without any prior intimation in order to avoid the delay in Customs clearance. The likely additional/hidden costs or charges are:



BHARAT HEAVY ELECTRICALS LTD

VALVES PURCHASE

Trichy - 620 014, India

GENERAL TERMS AND CONDITIONS

Enquiry Reference: RCLSBQ2543

- i. CIC - Container Imbalance Charges/Surcharges
- ii. EIC - Equipment Imbalance Charge/Surcharges
- iii. CAF - Container/Currency Adjustment Factor
- iv. BAF - Bunker adjustment Factor
- v. RDS - Rupee Depreciation Surcharge
- vi. CDS - Currency Depreciation Surcharge

f. Transport Conditions for Import:

The Original Documents (Bill of Lading, Invoice, Packing List, Certificate of Origin & Test Certificate) shall reach BHEL well in advance before the vessel arrival. The soft copies of the above shall be forwarded to BHEL immediately after shipment.

- i. In the event of delayed submission of documents by the supplier, an amount up to 5% of the invoice value will be retained towards demurrage & other charges and the difference if any between actual charges and recovery will be settled separately through supplementary invoice.
- ii. In such cases, the Supplier shall authorize the Steamer / Shipping agent / transporter to freely release the consignment to BHEL by providing a "Surrender Bill of Lading".
- iii. Otherwise, No-objection Certificate shall be issued to the Liner, authorizing BHEL to get the Delivery Order without producing the Original Bill of Lading.
- iv. This is required to ensure avoidance of demurrage at Chennai Sea-port that may arise in case of delayed presentation of documents by the Seller.

Following details to be endorsed in OBL

- i. Import & Export Code (IEC) of importer: 0588138690
- ii. GST Identification No (GSTIN) of importer: 33AAACB4146P2ZL
- iii. Official email id of importer: sivabala@bhel.in ; siyama@bhel.in

d. Indian Agent & Agency commission:

- i. An Indian Agent can represent / submit offer of only one original equipment manufacturer (OEM) against a particular Tender. If any Indian Agent represents two or more than one OEM against the same tender, then the Offer will be rejected.
- ii. The CFR - Cost and Freight Chennai Sea Port, price quoted by the Foreign Bidder shall also include the Agency commission. The bidder shall furnish authenticated copy of the Agency Agreement detailing the precise relationship between them and their mutual interest in the business so as to consider the offer of the Indian Agent for the indigenous portion of the supply. For the main equipment, the offer should be from the Principal / OEM. The bidders have to furnish the original Authorization Letter for the Indian Agent along with the Techno-Commercial Offer.

11. INTEGRITY PACT (IP)

- a. IP is a tool to ensure that activities and transactions between Company and its Bidders/Contractors are handled in a fair, transparent and corruption free manner. Following Independent External Monitors (IEMs) on the present panel have been appointed by BHEL with the approval of CVC to oversee implementation of IP in BHEL.

| | IEM | Email |
|--|---------------------------------------|--|
| | Shri Otem Dai, IAS (Retd.) | iem1@bhel.in |
| | Shri Bishwamitra Pandey, IRAS (Retd.) | iem2@bhel.in |
| | Shri Mukesh Mittal, IRS (Retd.) | iem3@bhel.in |

- b. If IP is applicable for the enquiry, the IP as enclosed with the tender is to be submitted (duly signed by authorized signatory) along with the techno-commercial bid (Part-I, in case of two/three part bid). Only



BHARAT HEAVY ELECTRICALS LTD

VALVES PURCHASE

Trichy - 620 014, India

GENERAL TERMS AND CONDITIONS

Enquiry Reference: RCLSBQ2543

those bidders who have entered into such an IP with BHEL would be competent to participate in the bidding. In other words, entering into this pact would be a preliminary qualification.

c. Please refer Section-8 of the IP for Roles and Responsibilities of IEMs. In case of any complaint arising out of the tendering process, the matter may be referred to any of the above IEM(s). All correspondence with the IEMs shall be done through email only.

d. Note:

No routine correspondence shall be addressed to the IEM (phone/post/email) regarding the clarifications, time extensions or any other administrative queries etc. on the tender issued. All such clarifications / issues shall be addressed directly to the tender issuing (procurement) department's officials whose contact details are provided below

(1)

B Rajendra Prasad Reddy

Dy Manager

Valves Purchase

24 Building, 3rd Floor,

BHEL, Trichy-620014

+91 431 2577813

bppreddy@bhel.in

(2)

Ajay Kumar Gupta

AGM

Valves Purchase

24 Building, 3rd Floor,

BHEL, Trichy-620014

+91 431 2578156

ajaykumar.gupta@bhel.in

12. BHEL Fraud Prevention Policy

- a. The bidder along with its associate/collaborators/sub-contractors/sub-vendors/consultants/service providers shall strictly adhere to BHEL fraud prevention policy and shall immediately bring to the notice of the BHEL management about any fraud or suspected fraud as soon as it comes to their notice.
- b. Please refer to <https://www.bhel.com/bhel-fraud-prevention-policy-0>

13. Conflict of interest among bidders:

A bidder shall not have a conflict of interest with other bidders. Such conflict of interest can lead to anti-competitive practices to the detriment of Procuring Entity's interests. ***The bidder found to have a conflict of interest shall be disqualified.*** A bidder may be considered to have a conflict of interest with one or more parties in this bidding process, if:

- a) they have controlling partner (s) in common; **or**
- b) they receive or have received any direct or indirect subsidy/ financial stake from any of them; **or**
- c) they have the same legal representative/agent for purposes of this bid; **or**
- d) they have relationship with each other, directly or through common third parties, that puts them in a position to have access to information about or influence on the bid of another Bidder; **or**
- e) Bidder participates in more than one bid in this bidding process. Participation by a Bidder in more than one Bid will result in the disqualification of all bids in which the parties are involved. However, this does not limit the inclusion of the components/ sub-assembly/ Assemblies from one bidding manufacturer in more than one bid; **or**



BHARAT HEAVY ELECTRICALS LTD

VALVES PURCHASE

Trichy - 620 014, India

GENERAL TERMS AND CONDITIONS

Enquiry Reference: RCLSBQ2543

- f) In cases of agents quoting in offshore procurements, on behalf of their principal manufacturers, one agent cannot represent two manufacturers or quote on their behalf in a particular tender enquiry. One manufacturer can also authorise only one agent/dealer. There can be only one bid from the following:
1. The principal manufacturer directly or through one Indian agent on his behalf; and
 2. Indian/foreign agent on behalf of only one principal; **or**
- g) A Bidder or any of its affiliates participated as a consultant in the preparation of the design or technical specifications of the contract that is the subject of the Bid; **or**
- h) In case of a holding company having more than one independently manufacturing units, or more than one unit having common business ownership/management, only one unit should quote. Similar restrictions would apply to closely related sister companies. Bidders must proactively declare such sister/ common business/ management units in same/ similar line of business.

14. Breach of contract, Remedies and Termination:

- a) In case of breach of contract, wherever the value of security instruments like performance bank guarantee available with BHEL against the said contract is 10% of the contract value or more, such security instruments to the extent of 10% contract value will be encashed.
- b) In case the value of the security instruments available is less than 10% of the contract value, the balance amount will be recovered in all or any of the following manners:
- i. from dues available in the form of Bills payable to defaulted supplier against the same contract.
 - ii. from the dues payable to defaulted supplier against other contracts in the same Region/Unit /any other region/unit.
 - iii. In-case recoveries are not possible with any of the above available options, Legal action shall be initiated for recovery against defaulted
 - iv. supplier.
- c) Further, levy of liquidated damages, debarment, termination, de-scoping, short-closure, etc., will be applied as per provisions of the contract.

15. Suspension of Business Dealings:

Abridged version of extant 'Guidelines for suspension of business dealings with suppliers/ contractors' has now been uploaded on www.bhel.com on "supplier registration page" at the following link: http://www.bhel.com/vender_registration/vender.php (Guidelines for suspension of business dealings with suppliers/ contractors).



BHARAT HEAVY ELECTRICALS LTD

VALVES PURCHASE - TRICHY - 620 014. INDIA

CONFIRMATION TO TERMS AND CONDITIONS **Enquiry Reference: RCLSBQ2543**

Vendor Name:

Quotation Reference No. Date:

| <u>TERMS & CONDITION</u> | <u>VENDOR's response</u> (strike-off, whichever is not applicable) | <u>VENDOR REMARKS</u> (if any) |
|--|--|-----------------------------------|
| a. Vendor Name, Quotation No and date has to be clearly mentioned in both bids | | |
| b. Rate Contract: This is an enquiry for finalization of a Rate Contract (RC) for a period as mentioned in 'Validity of offer' below. This is a value based contract and the quantities mentioned in the enquiry are indicative for the entire RC period. Purchase Orders will NOT be issued for the entire quantum in one lot, whereas POs will be released on a time to time basis during the RC period, based on actual requirement. | Accepted/ Not Accepted | |
| c. Bidder should give confirmation to BHEL's Technical Specification. Any deviations from the specification are to be furnished separately as "Schedule of Deviation". If there is no deviation vendor should indicate "No Deviation". | No deviation/ Deviation quoted | |
| d. The offer has to be submitted as a Two-part bid i.e. Part-I: Techno-commercial & Part-II: Price bid Note: This confirmation sheet shall be a part of Techno-commercial bid. Price bid shall only contain the quoted price. | Bid submitted in two parts Yes/ No | |
| e. The tender will be finalized on item-wise basis | Accepted/ Not Accepted | |
| f. Terms of Payment: Indigenous Supplier (Non-MSME): 100% payment on 90th day from Vehicle/Gate entry date. Indigenous Supplier (Medium Enterprise): 100% payment on 60th day from Vehicle/Gate entry date. Indigenous Supplier (MSE): 100% payment on 45th day from Vehicle/Gate entry date. Suppliers quoting for MSME payment must produce UDYAM registration certificate along with part 1 bid documents. | Accepted/ Not Accepted MSE/ Non-MSE If MSE, mentioned supporting document enclosed in Part-I bid. Yes/ No | |
| g. Liquidated Damage: Liquidated damages shall be 0.5% of the undelivered portion per week of the delay or part thereof subject to a maximum of 10% of the total order value. | Accepted/ Not Accepted | |
| h. Inco Terms: Prices shall be quoted on " FIRM PRICE " basis only. F.O.R / Stores, BHEL Trichy | Accepted/ Not Accepted | |
| i. Validity of Offer: Prices should be valid for 12 months from the date of finalisation of the rate contract or 15 months from the date of part-1 bid opening, whichever is earlier. | Accepted/ Not Accepted | |
| j. Delivery period: Delivery period should be 8 weeks from the date of purchase order. | Accepted/ Not Accepted | |
| k. Guarantee Clause: The vendor shall give a guarantee for the performance of his supplies for a period of eighteen months from the date of dispatch or twelve months from the date of commissioning, whichever is earlier. Any warranty replacement during warranty period shall be supplied free of charge on FOR site basis/destination specified by BHEL | Accepted/ Not Accepted | |
| l. Local content certificate: Supplier shall submit the local content certificate with self-declaration in part 1 bid documents. (Use format in NIT documents) | Attached/ Not Attached | |



BHARAT HEAVY ELECTRICALS LTD

VALVES PURCHASE - TRICHY - 620 014. INDIA

CONFIRMATION TO TERMS AND CONDITIONS **Enquiry Reference: RCLSBQ2543**

| <u>TERMS & CONDITION</u> | <u>VENDOR's response</u> (strike-off, whichever is not applicable) | <u>VENDOR REMARKS</u> (if any) |
|---|---|-----------------------------------|
| m. Reverse auction: Reverse Auction (RA) is not applicable for this enquiry. | | |
| n. Counter-offering: Counter-offer is not applicable for this enquiry. | | |
| o. Performance Bank Guarantee: Performance Bank Guarantee is not applicable for this enquiry . | | |
| p. Integrity Pact Integrity pact is not applicable for this enquiry. (Use format in NIT documents) | | |
| q. Collection of rejected items: Items rejected during the course of this RC shall be collected by the supplier from time to time by producing applicable credit note at BHEL Stores. Subsequently, replacements for rejected items and quantities shall be supplied. | Accepted/ Not Accepted | |
| r. Sequential supply: Purchase orders placed shall be executed chronologically in the order of date of issue i.e., Oldest PO shall be executed first. | Accepted/ Not Accepted | |
| s. Declaration: It is hereby declared that all the terms and conditions of this rate contract enquiry, as mentioned in General Terms & Conditions in the NIT, have been read, understood and our acceptance without any deviation to the same is confirmed. | Confirmed/ Not confirmed | |
| Documents/ Records to be submitted along with Part-I bid | | |
| t. Signed and sealed " Scope of Supply " format | Attached/ Not attached | |
| u. Signed and sealed applicable drawings, Specification of items quoted. | Attached/ Not attached | |
| v. Signed and sealed " Schedule of Deviation " format. If there is no deviation Bidder should mandatorily indicate "No Deviation" in the "Schedule of Deviation" format. | Attached/ Not attached | |
| w. Documents supporting to PQR condition | Attached/ Not attached | |
| x. Signed and sealed General terms and conditions | Attached/ Not attached | |
| y. Local content declaration in bidder's letter pad, as per attached BHEL format. | Attached/ Not attached | |
| z. Latest udyam certificate. | Attached/ Not attached | |

| Details of the bidder's authorised person for contacting w.r.t this tender | |
|---|--|
| Name: | |
| Designation: | |
| e-mail id: | |
| Mobile Number: | |

Supplier's Seal and Sign with date