

ANNEXURE (PACKING LIST)
LIEBHERR- CRAWLER CRANE TYPE LR 1600/2

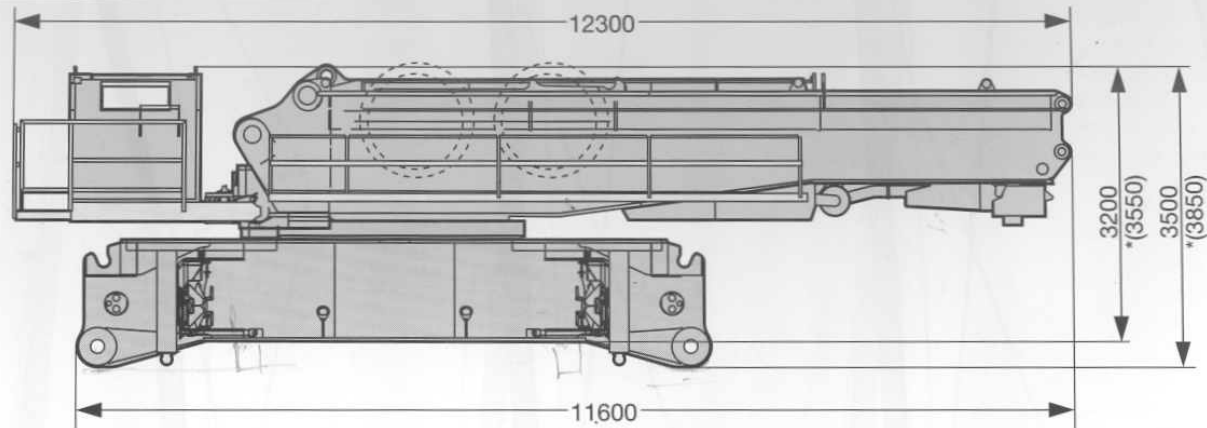
ITEM No.:	Quantity	consisting of:									
		Packages:	Description	Dimensions (in m)						Gross-weight	Net-weight
				length		width		height	in kgs		
1	1	unpacked	crawler left incl. 1 x driving gear (shoe 1,5 m)	11.00	x	1.85	x	1.90	31,700	31,700	
2	1	unpacked	crawler right incl. 1 x driving gear (shoe 1,5 m)	11.00	x	2.15	x	1.90	31,700	31,700	
3	1	unpacked	superstructure with crawler center section, 2x slewing gear	12.50	x	3.00	x	3.50	57,900	57,900	
4	1	unpacked	SA-frame incl. winch IV	11.60	x	2.70	x	1.60	17,500	17,500	
5	1	unpacked	centre counterweight I	2.70	x	2.00	x	1.40	2,500	2,500	
6	1	unpacked	centre counterweight I	2.70	x	2.00	x	1.40	2,500	2,500	
7	1	unpacked	centre counterweight II	2.50	x	1.60	x	0.47	10,000	10,000	
8	1	unpacked	centre counterweight II	2.50	x	1.60	x	0.47	10,000	10,000	
9	1	unpacked	centre counterweight II	2.50	x	1.60	x	0.47	10,000	10,000	
10	1	unpacked	centre counterweight II	2.50	x	1.60	x	0.47	10,000	10,000	
11	1	unpacked	centre counterweight II	2.50	x	1.60	x	0.47	10,000	10,000	
12	1	unpacked	centre counterweight II	2.50	x	1.60	x	0.47	10,000	10,000	
13	1	unpacked	counterweight base plate	2.70	x	1.80	x	1.80	5,000	5,000	
14	1	unpacked	counterweight base plate	2.70	x	1.80	x	1.80	5,000	5,000	
15	1	unpacked	counterweight slabs	2.50	x	1.60	x	0.47	10,000	10,000	
16	1	unpacked	counterweight slabs	2.50	x	1.60	x	0.47	10,000	10,000	
17	1	unpacked	counterweight slabs	2.50	x	1.60	x	0.47	10,000	10,000	
18	1	unpacked	counterweight slabs	2.50	x	1.60	x	0.47	10,000	10,000	
19	1	unpacked	counterweight slabs	2.50	x	1.60	x	0.47	10,000	10,000	
20	1	unpacked	counterweight slabs	2.50	x	1.60	x	0.47	10,000	10,000	
21	1	unpacked	counterweight slabs	2.50	x	1.60	x	0.47	10,000	10,000	
22	1	unpacked	counterweight slabs	2.50	x	1.60	x	0.47	10,000	10,000	
23	1	unpacked	counterweight slabs	2.50	x	1.60	x	0.47	10,000	10,000	

24	1	unpacked	counterweight slabs	2.50	x	1.60	x	0.47	10,000	10,000
25	1	unpacked	counterweight slabs	2.50	x	1.60	x	0.47	10,000	10,000
26	1	unpacked	counterweight slabs	2.50	x	1.60	x	0.47	10,000	10,000
27	1	unpacked	counterweight slabs	2.50	x	1.60	x	0.47	10,000	10,000
28	1	unpacked	counterweight slabs	2.50	x	1.60	x	0.47	10,000	10,000
29	1	pallet	winch I	2.00	x	1.34	x	1.55	7,580	7,480
30	1	pallet	winch II	2.00	x	1.34	x	1.55	7,560	7,460
31	1	unpacked	S-pivot section(boom)	10.40	x	3.00	x	3.00	13,400	13,400
32	1	unpacked	Interm. section 6 m (S.20)-boom	6.40	x	3.00	x	2.80	4,800	4,800
33	1	unpacked	Interm. section 6 m (S.20)-boom	6.40	x	3.00	x	2.80	4,800	4,800
34	1	unpacked	Interm. section 12 m (S-20)-boom	12.40	x	3.00	x	2.80	8,200	8,200
35	1	unpacked	Interm. section 12 m (S-25)-boom	12.40	x	3.00	x	2.80	9,000	9,000
36	1	unpacked	Interm. section 12 m (S-25)-boom	12.40	x	3.00	x	2.80	9,000	9,000
37	1	unpacked	Interm. section 12 m (S-25)-boom	12.40	x	3.00	x	2.80	9,000	9,000
38	1	bundle	Interm. section 12 m (S-16Z/Li-09 for f-jib)	12.60	x	3.00	x	2.80	12,700	12,700
39	1	unpacked	SL-reducing section(boom)	7.20	x	3.00	x	2.80	5,000	5,000
40	1	unpacked	SW-head section(boom)	2.70	x	1.90	x	2.90	4,500	4,500
41	1	unpacked	F-assembly unit incl. FA-Frame, F-pivot section (boom) and F-overrun protection	7.30	x	2.80	x	2.90	2,800	2,800
42	1	unpacked	F- interm. section 6 m(boom)	6.20	x	2.10	x	1.70	1,000	1,000
43	1	unpacked	F- interm. section 6 m(boom)	6.20	x	2.10	x	1.70	1,000	1,000
44	1	unpacked	F-head section(boom)	8.00	x	2.10	x	1.70	1,700	1,700
45	1	unpacked	D-pivot section incl. Winch III with luffing pulley block(boom)	9.90	x	3.00	x	2.70	22,900	22,900
46	1	unpacked	D-interm. section 6 m(boom)	6.40	x	2.60	x	2.40	4,200	4,200
47	1	unpacked	D-interm. section 12 m(boom)	12.40	x	2.60	x	2.40	7,800	7,800
48	1	unpacked	D-head section(boom)	8.90	x	2.70	x	2.30	13,300	13,300
49	1	unpacked	roller set for sw-head section 300 t	1.60	x	1.30	x	1.00	1,400	1,400

50	1	unpacked	roller set for sw-head section 320 t	1.60	x	1.40	x	1.00	1,500	1,500
51	1	unpacked	counterweight cradle with centering	10.30	x	2.40	x	1.60	11,670	11,670
52	1	unpacked	counterweight slabs	2.50	x	1.60	x	0.47	10,000	10,000
53	1	unpacked	counterweight slabs	2.50	x	1.60	x	0.47	10,000	10,000
54	1	unpacked	counterweight slabs	2.50	x	1.60	x	0.47	10,000	10,000
55	1	unpacked	counterweight slabs	2.50	x	1.60	x	0.47	10,000	10,000
56	1	unpacked	counterweight slabs	2.50	x	1.60	x	0.47	10,000	10,000
57	1	unpacked	counterweight slabs	2.50	x	1.60	x	0.47	10,000	10,000
57	1	unpacked	counterweight slabs	2.50	x	1.60	x	0.47	10,000	10,000
59	1	unpacked	counterweight slabs	2.50	x	1.60	x	0.47	10,000	10,000
60	1	unpacked	counterweight slabs	2.50	x	1.60	x	0.47	10,000	10,000
61	1	unpacked	counterweight slabs	2.50	x	1.60	x	0.47	10,000	10,000
62	1	unpacked	counterweight slabs	2.50	x	1.60	x	0.47	10,000	10,000
63	1	unpacked	counterweight slabs	2.50	x	1.60	x	0.47	10,000	10,000
64	1	unpacked	counterweight slabs	2.50	x	1.60	x	0.47	10,000	10,000
65	1	unpacked	counterweight slabs	2.50	x	1.60	x	0.47	10,000	10,000
66	1	unpacked	Hook block 600/300 t	2.70	x	1.70	x	1.20	6,200	6,200
67	1	pallet	part of hook block 600/300 t 9-sheave ca. with 5 add. counterw. plates	1.80	x	1.00	x	1.58	5,140	5,040
68	1	pallet	part of hook block 600/300 t 9-sheave ca. with 5 add. counterw. plates	1.80	x	1.00	x	1.58	5,140	5,040
69	1	pallet	Hook block 125 t 3 sheave with 8 add. Counter weight plate	2.00	x	1.15	x	1.20	5,570	5,500
70	1	pallet	load hook	1.30	x	0.50	x	0.60	1,130	1,100
71	1	bundle	4 x tread grill for crawler	1.85	x	1.52	x	1.50	800	800
72	1	bundle	2x pedestal, 2x stairs	2.56	x	1.50	x	1.20	530	530
73	1	case	equipment (hydr. aggregate, ...)	2.00	x	1.60	x	1.90	3,200	2,850
74	1	case	spare parts (order no. 572472)	2.00	x	1.60	x	1.90	1,200	1,000

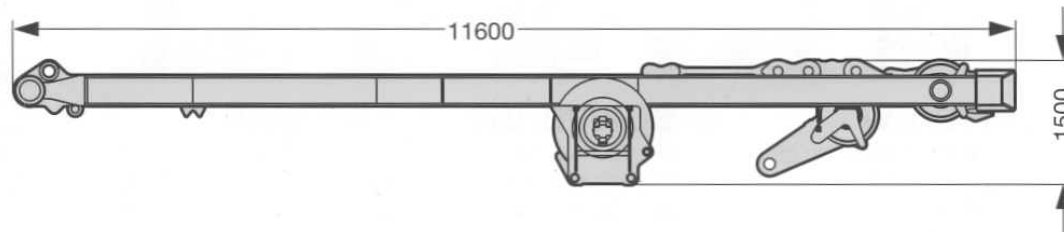
**NOTE: 1. BIDDER MAY PLEASE NOTE WITH RESPECT TO DIMENSION AND WEIGHT GIVEN ABOVE THERE MAY BE VARIATION OF +/- 20%.
2. FOR ITEM NO. 3 & 4, BIDDER MAY TAKE REFERENCE TO THE ELEVATION OF THE ITEMS RESPECTIVELY, AS SHOWN BELOW;**

57 t



SA-Bock, Winde 4 inkl. Seil und Rollensatz
SA-frame, winch 4 incl. rope and pulley block
Chevalet SA, treuil 4 incl. câble et bloc de poulies
Cavalletto SA, argano 4. incl., fune e set pulegge
Caballete SA, cabrestante 4 incl. cable y juego de poleas
SA-стойка, лебедка 4, включая канат и канатный блок

17 t



* Quick Connection / Quick Connection / Raccord rapide / Connessione rapida / Conexiones rápidas / Быстросменное соединение

S2